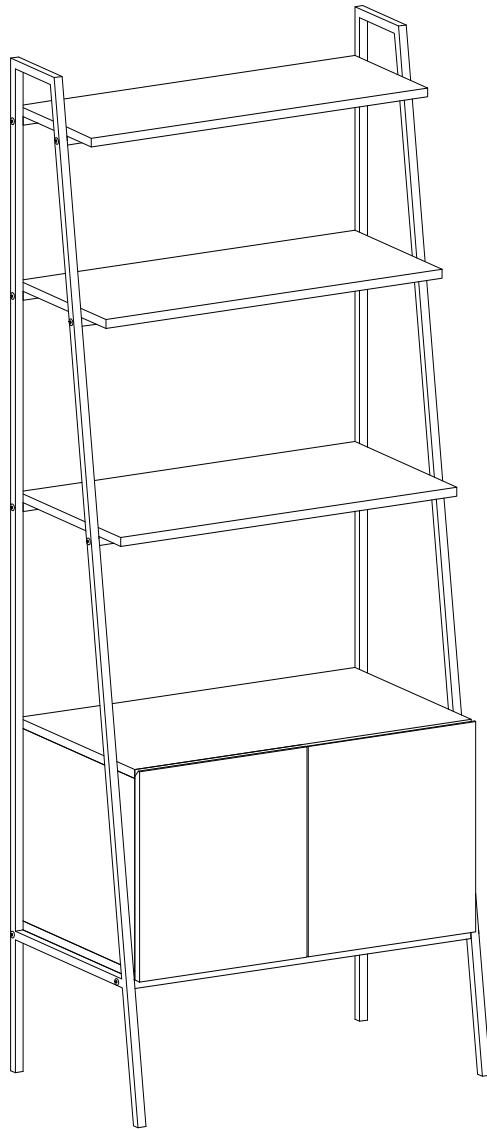
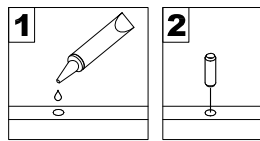


# Assembly Instructions

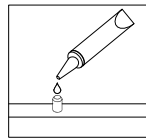


# General Assembly Guidelines

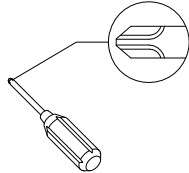
- I. Ensure that all parts and hardware are available before beginning assembly.
- II. Follow each step carefully to ensure the proper assembly of this product.
- III. Two people are recommended for ease in the assembly of this product.
- IV. The three main types of hardware used to assemble this product are: wood dowels, screws and bolts.
- V. The provided glue is to secure wood dowels in place. When first inserting dowels, locate the appropriate hole for the dowel, place a small amount of glue in the hole and insert the dowel. Wipe away excess glue immediately.



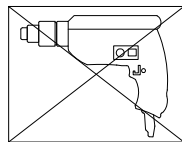
In future assembly steps when dowels are necessary to attach assembly parts together, place a small amount of glue on the end of the dowel before attaching parts together. Wipe away excess glue immediately.



- VI. A Phillips head screwdriver is required for the assembly of this product.

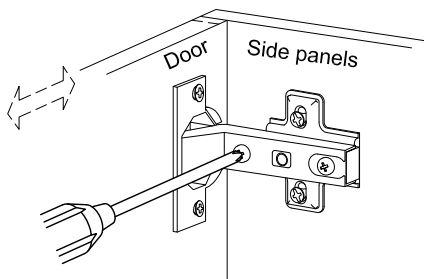


- VII. Power tools should not be used to assemble this product.

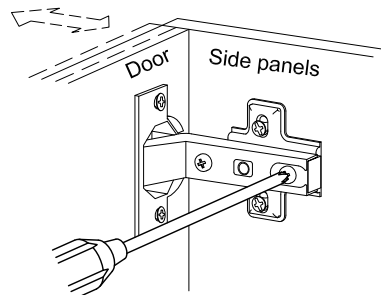


- VIII. Drill may be needed for securing product to wall.

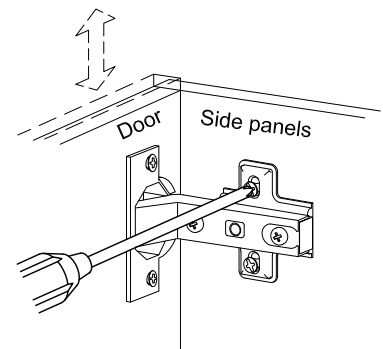
- IX. Concealed hinges are three-way adjustable.



Horizontal  
by screw adjustment

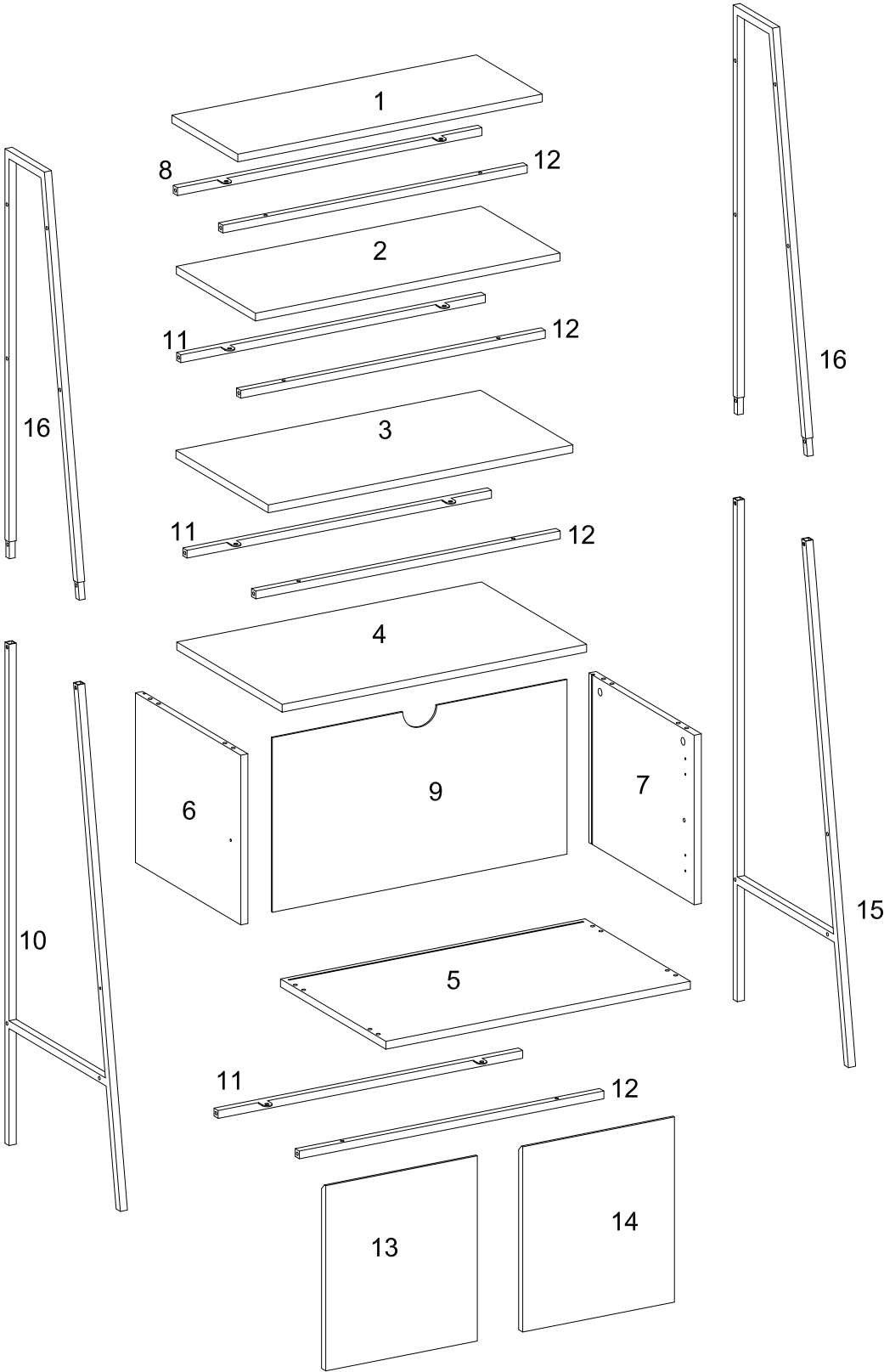


In-and-Out  
by loosening the hinge-arm  
mounting screw or via cam  
adjustment

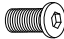
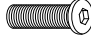


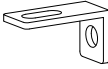

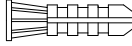














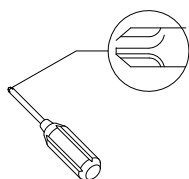
Vertical  
Via slots in the mounting  
plate or via cam adjustment

# Parts List



# Hardware List

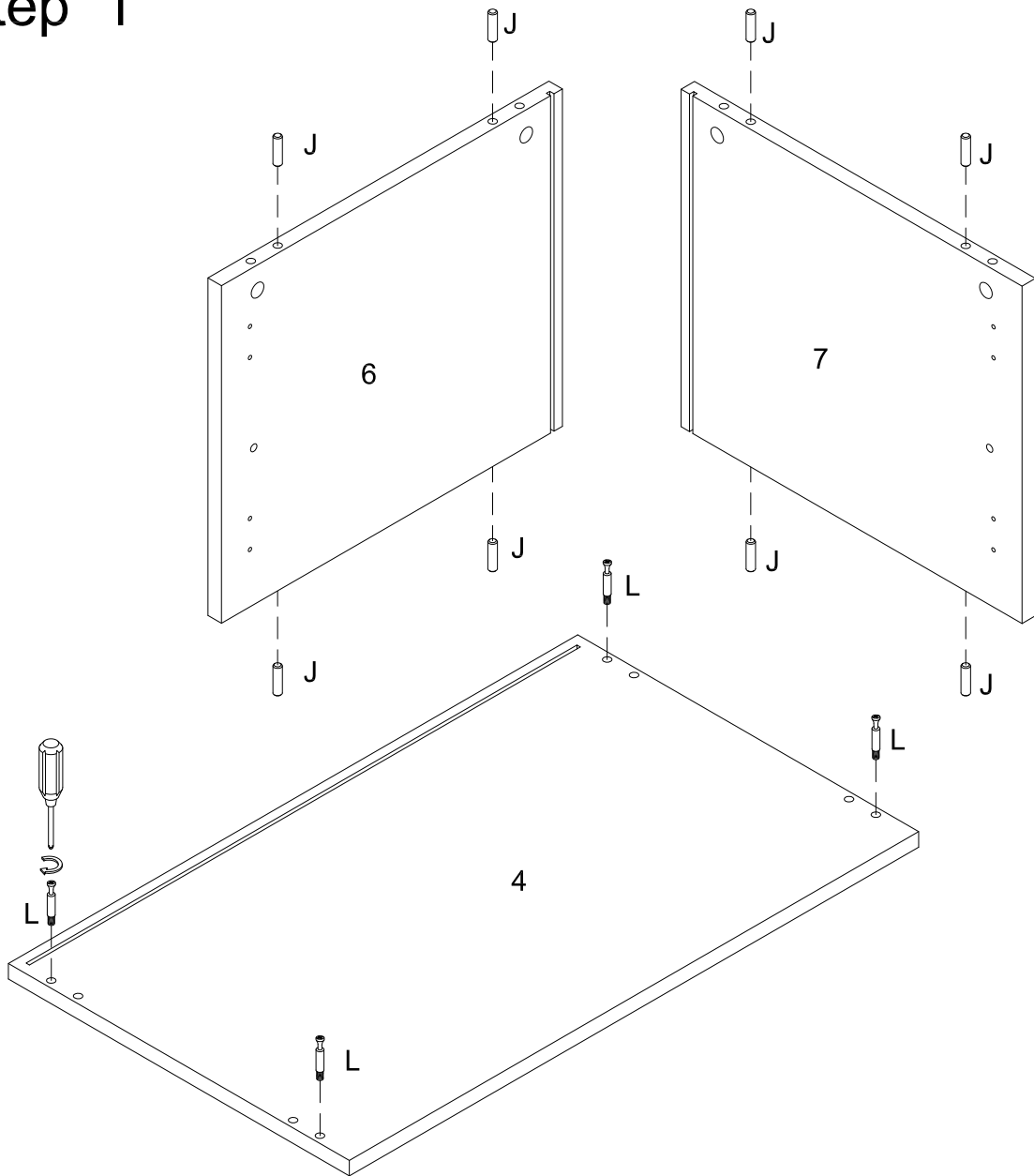
A		Ø1/4"x12mm	Bolt	9 pcs
B		Ø1/4"x25mm	Bolt	24 pcs
C		4 mm	Hex Key	1 pcs
D		Ø16x6.5x1.0mm	Washer	1 pcs
E		40x25x20mm	Bracket	1 pcs
F		Ø4x30mm	Screw	1 pcs
G			Wall anchor	1 pcs
H		Ø6x50mm	Bolt	4 pcs
J		Ø8x30mm	Wooden dowel	8 pcs
K		Ø15x9.5mm	Cam lock	4 pcs
L		Ø6x32mm	Cam bolt	4 pcs
M		Ø30mm	Sticker	4 pcs
N		Ø3x17mm	Screw	4 pcs
P		Ø4x12mm	Screw	20 pcs
Q			Plastic wedge	4 pcs
R			Plate	2 pcs
S			Glue tube	1 pcs
T		Ø1/4"x20mm	Bolt	2 pcs
U			Hinge	4 pcs



Philips head screwdriver required for assembly  
(not included)

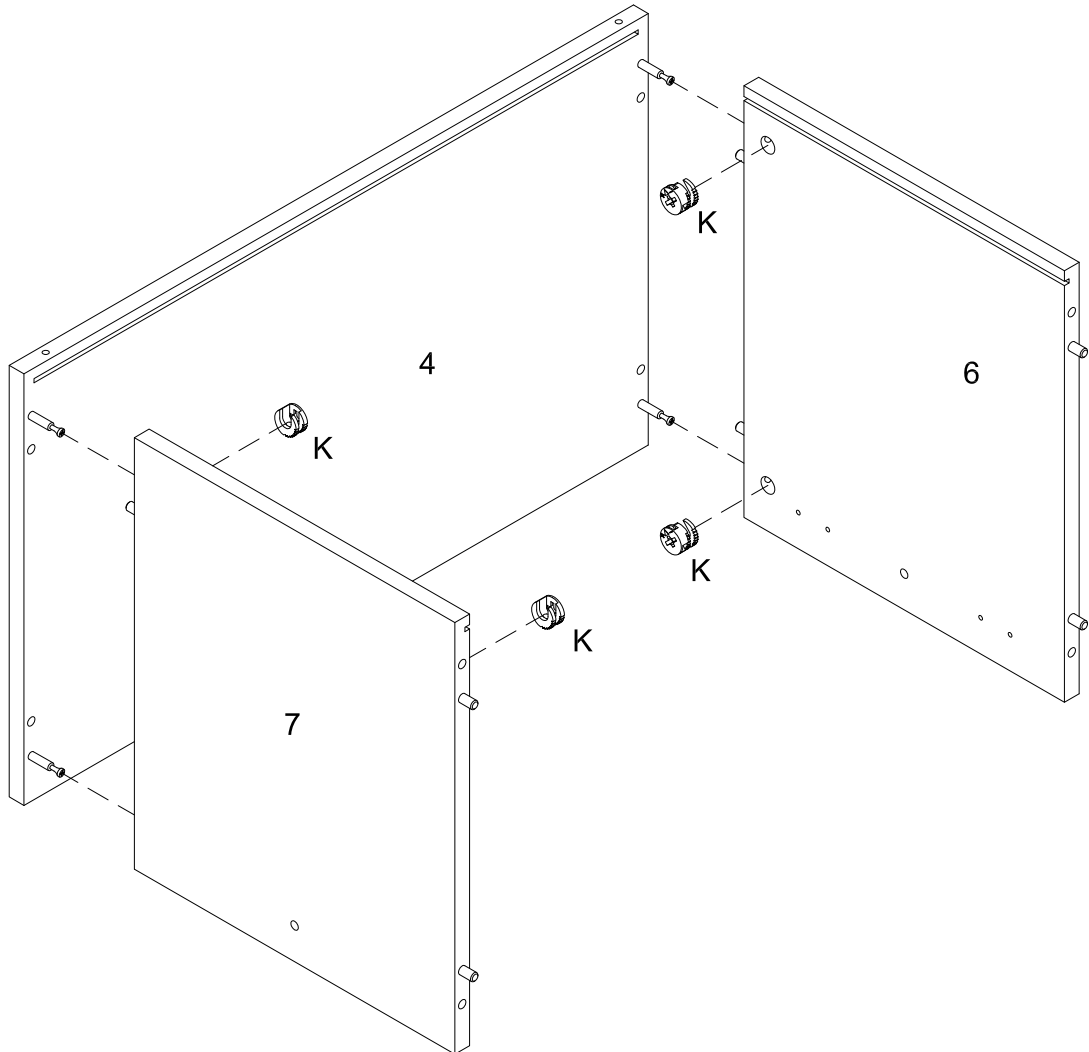
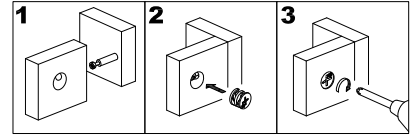
*The hardware quantities listed above are required for proper assembly.  
Some extra hardware may also have been included.*

# Step 1



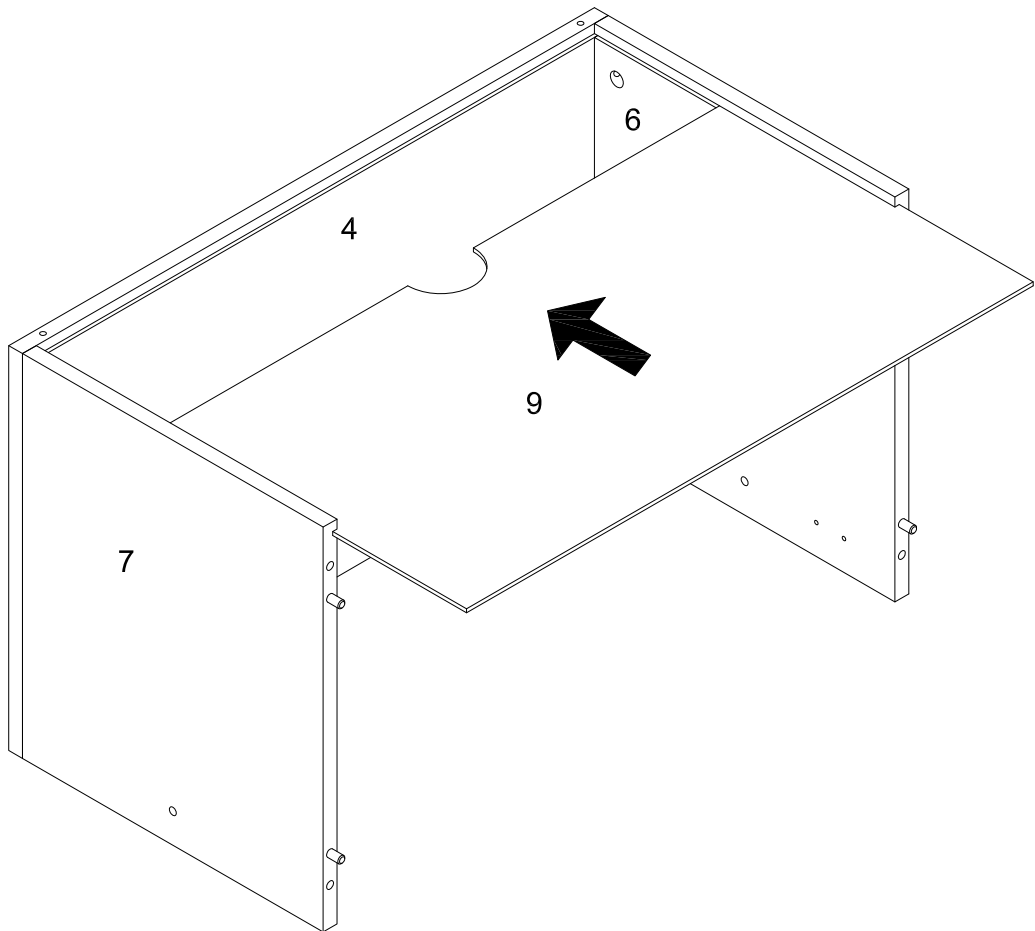
Insert wooden dowel (J) into part ( 6,7), secure cam bolt (L) to part (4) with screwdriver.

## Step 2



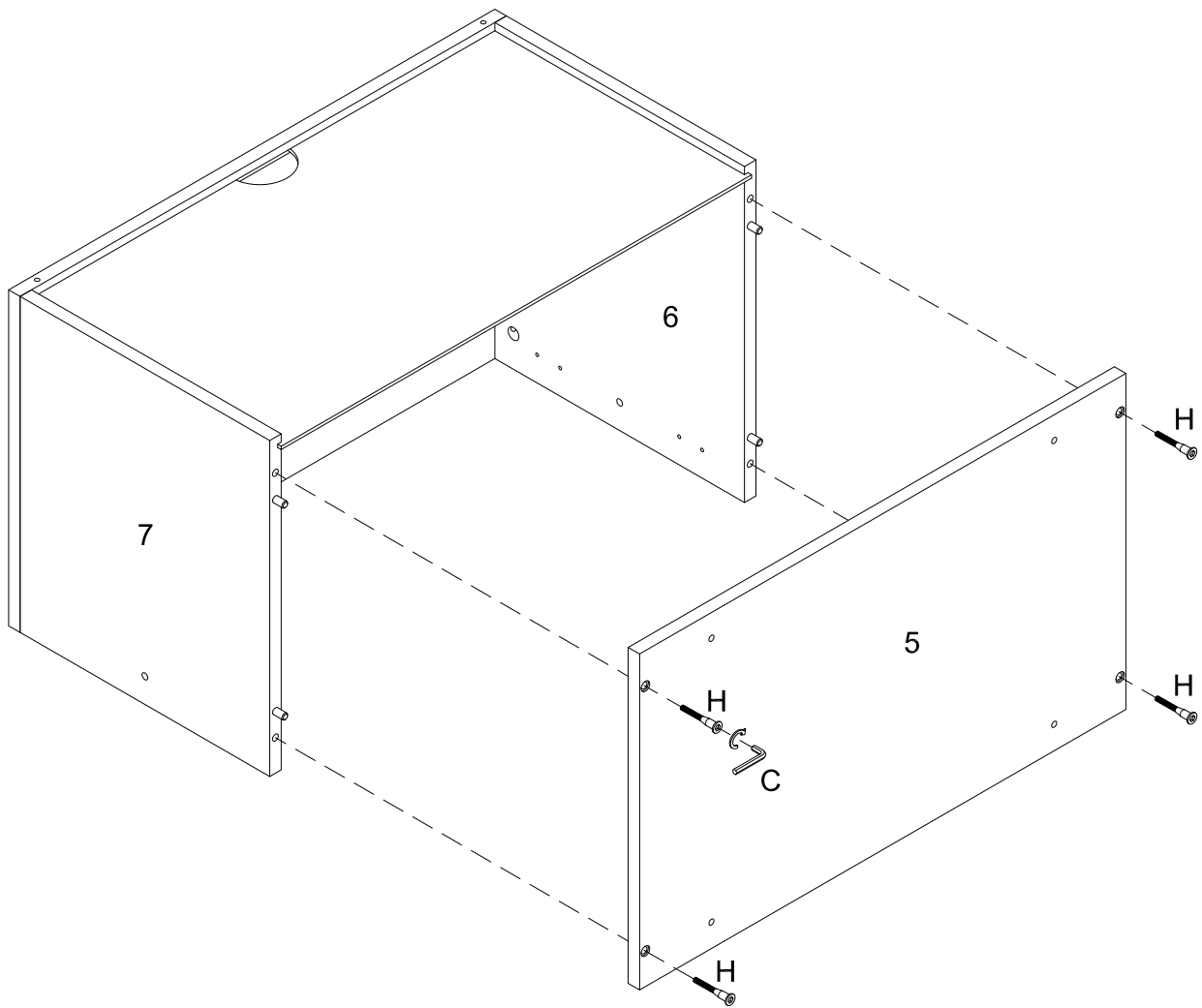
Insert part (6,7) to part (4), then secure cam lock (K) to part (6,7) with screwdriver.

## Step 3



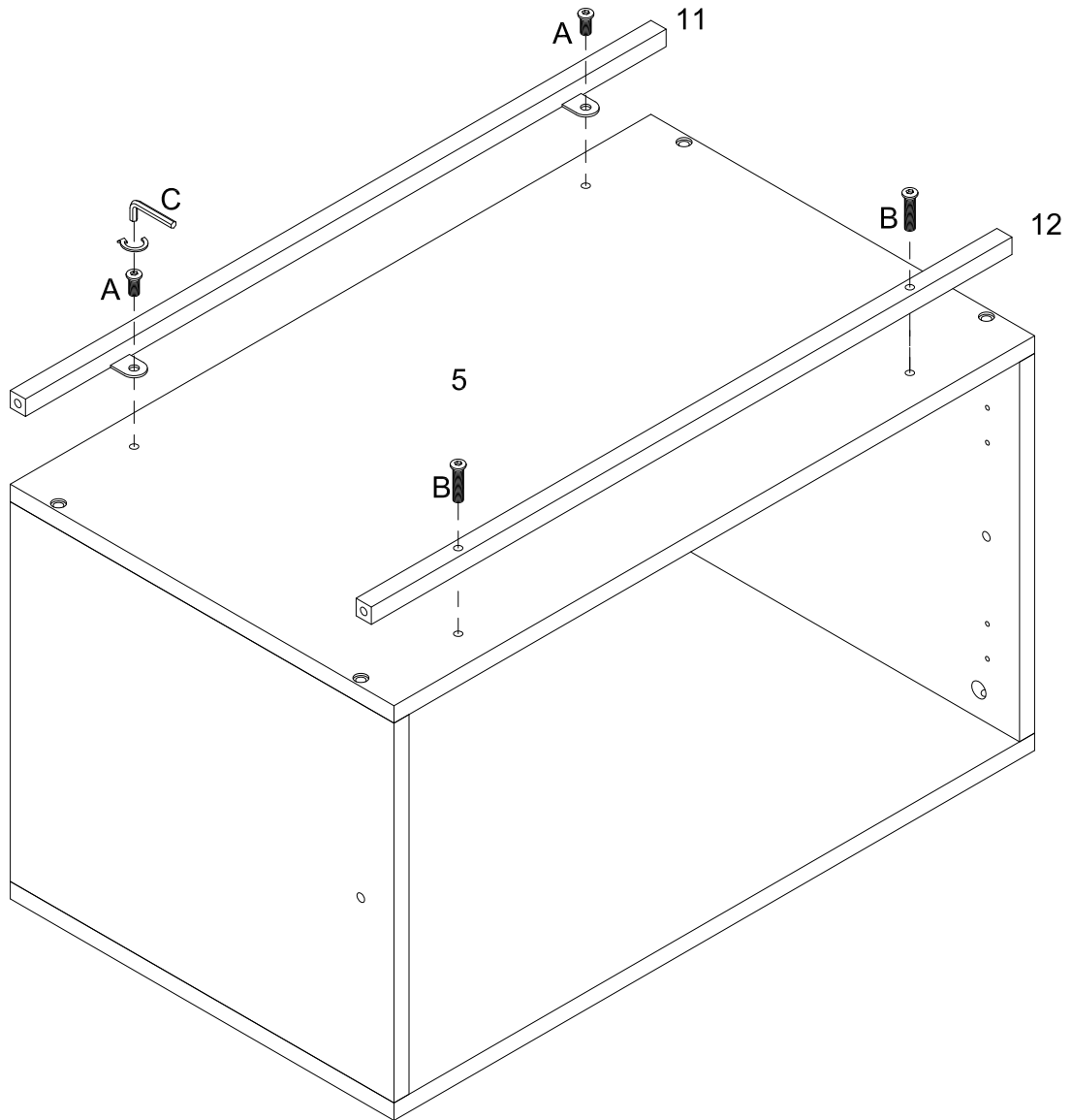
Insert part (9) into part (4,6,7) as per diagram.

# Step 4



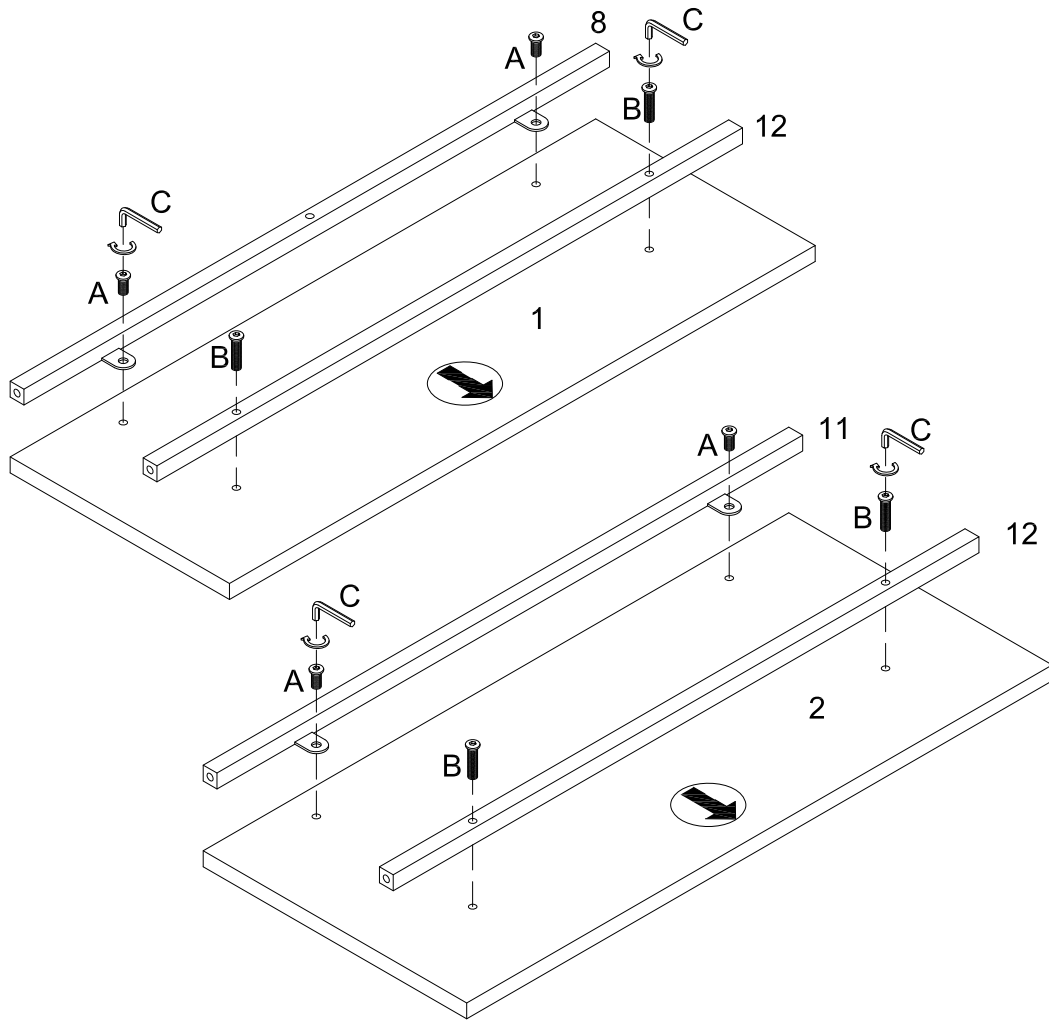
Attach part (5) to part (6,7) using bolt (H) with hex key (C).

# Step 5



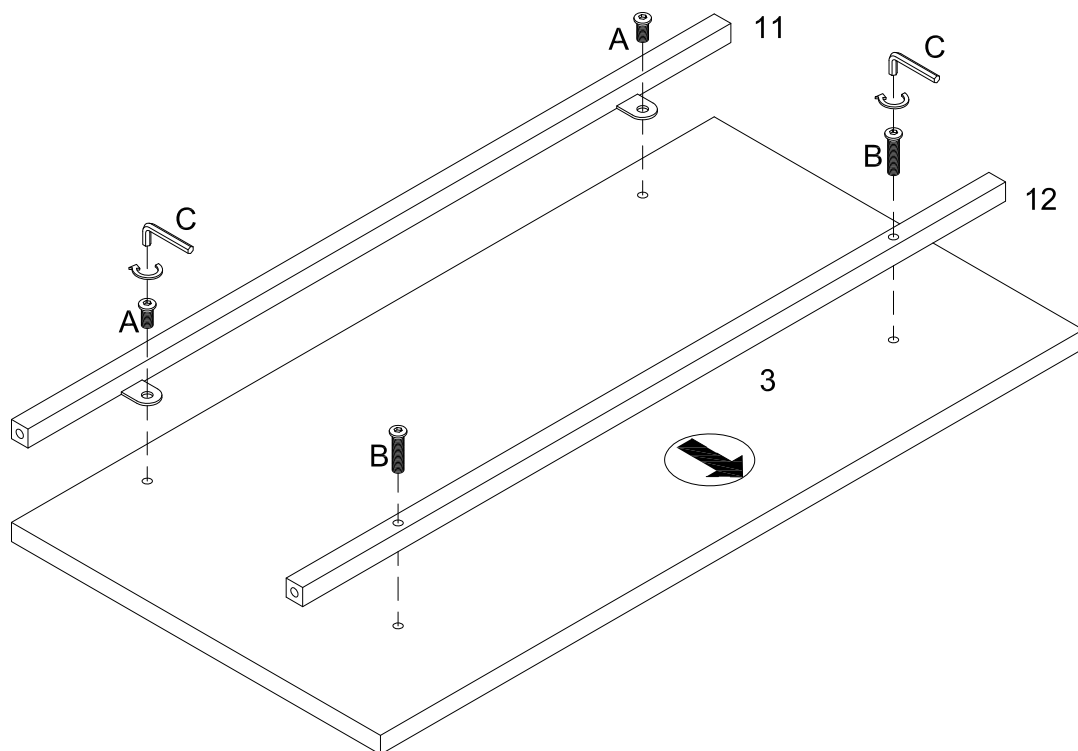
Attach part (11,12) to part (5) using bolt (A,B) with hex key (C).

# Step 6



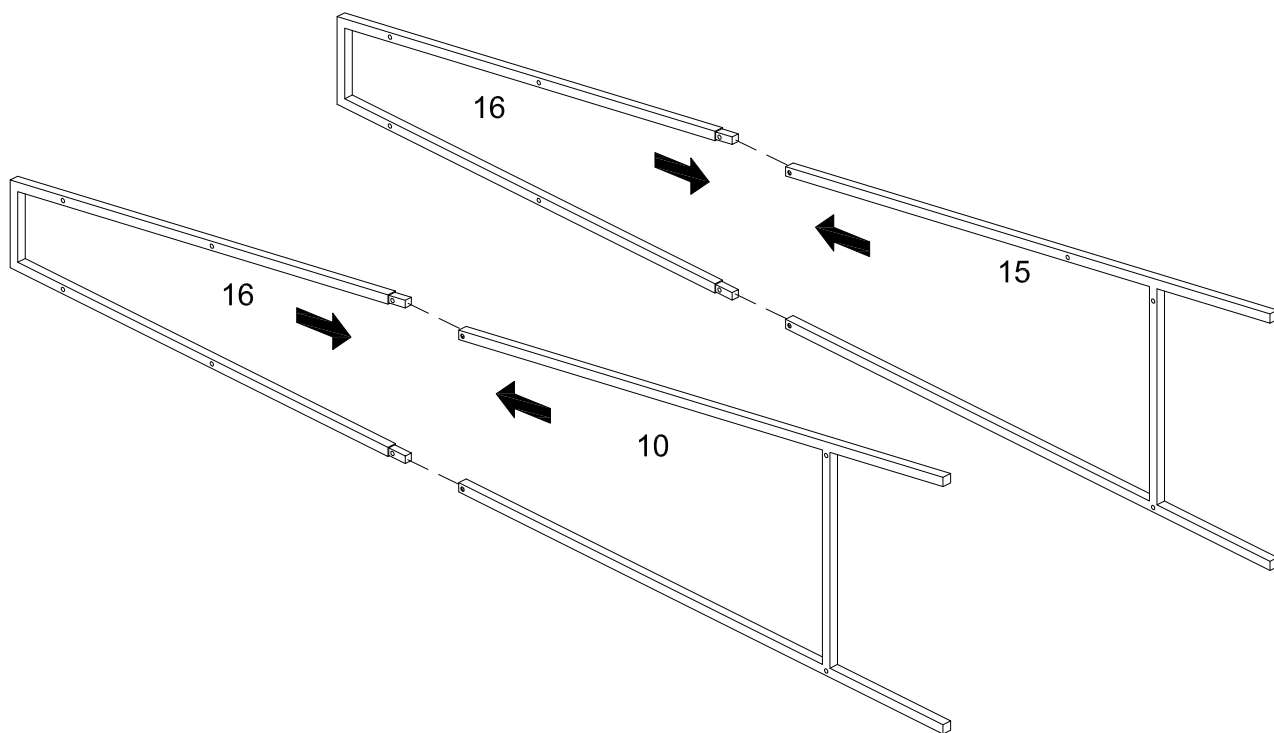
Attach part (8,11,12) to part (1, 2) using bolt (A,B) with hex key (C).

# Step 7



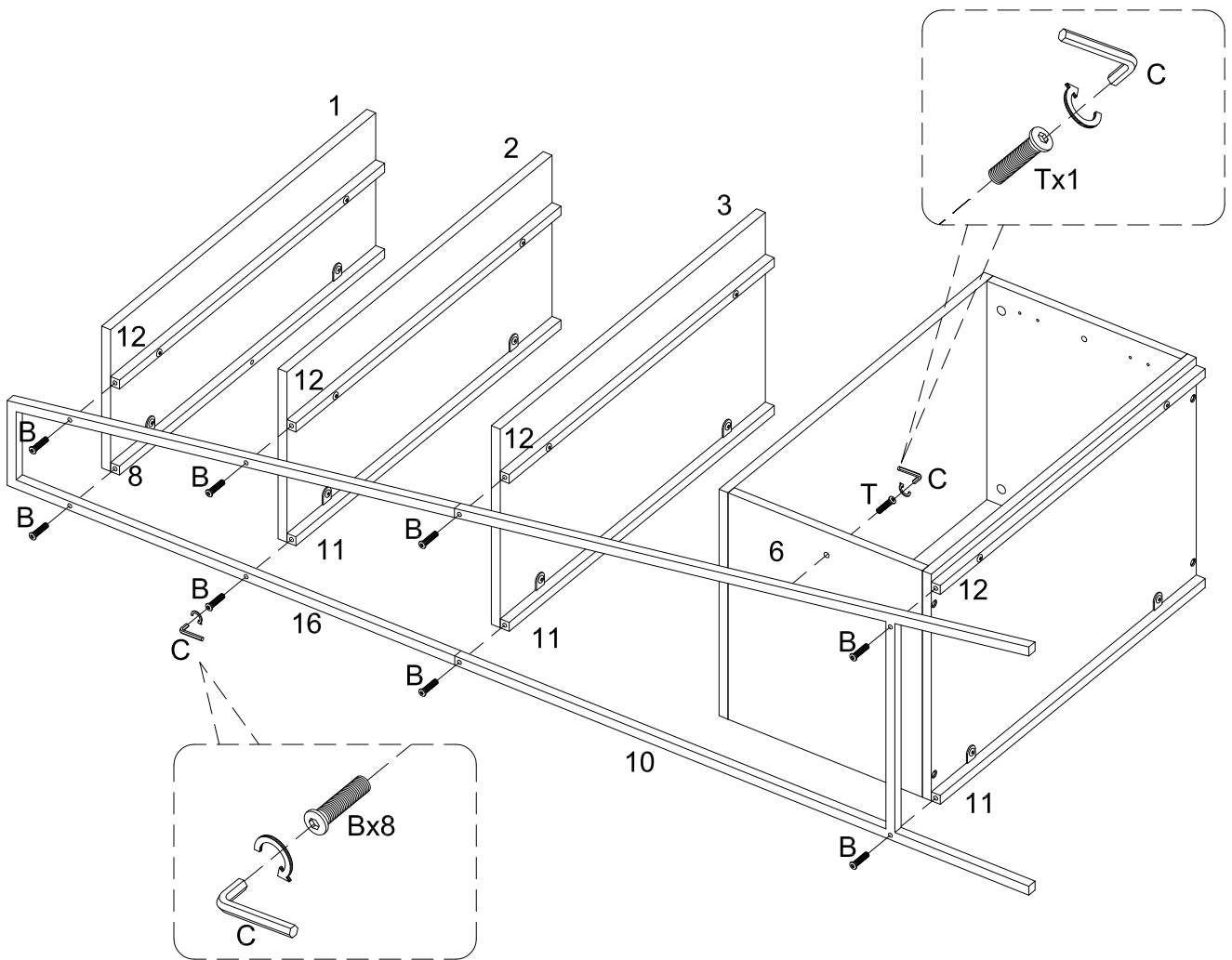
Attach part (11,12) to part (3) using bolt (A,B) with hex key (C).

# Step 8



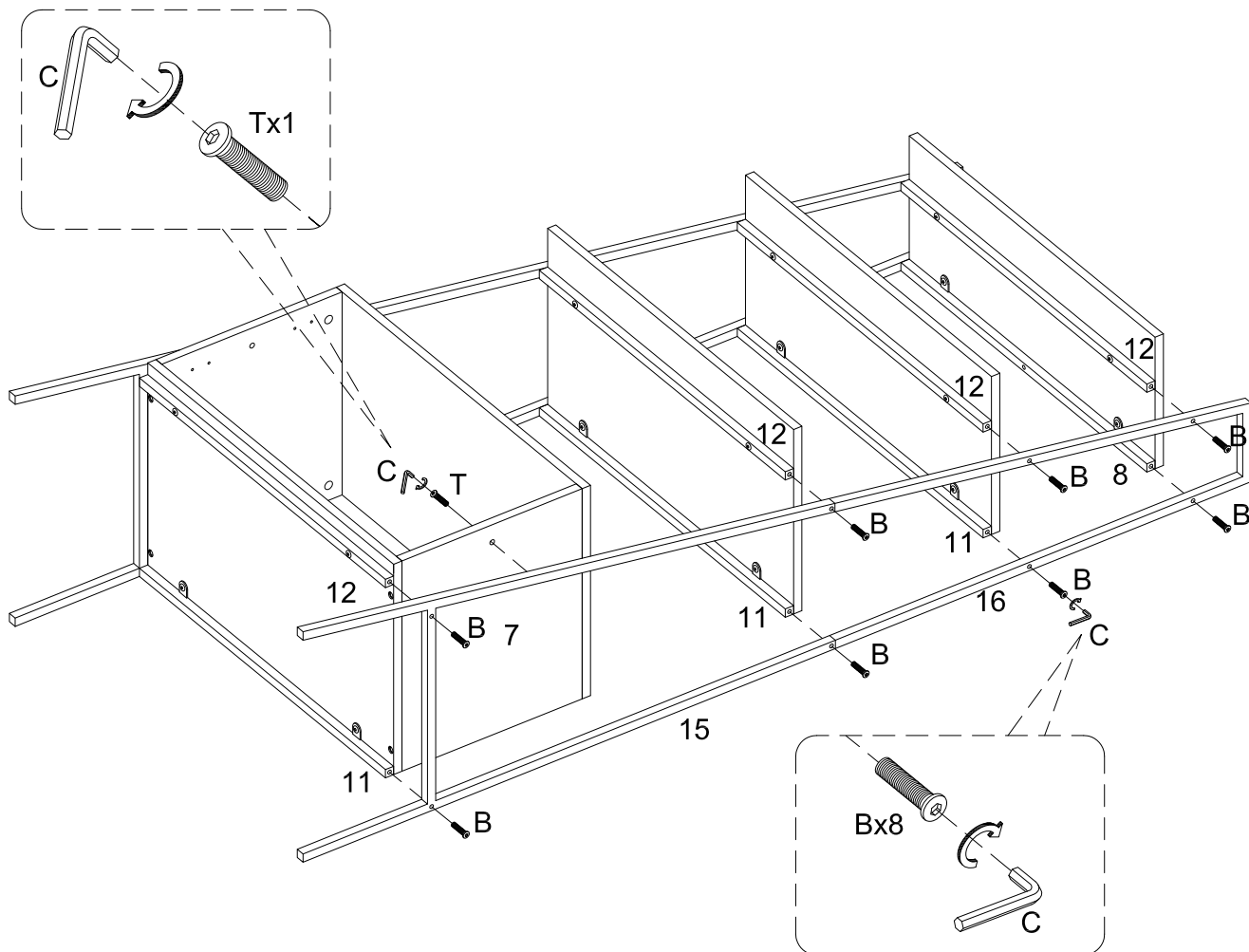
Attach part (16) to part (10,15) as per diagram.

# Step 9



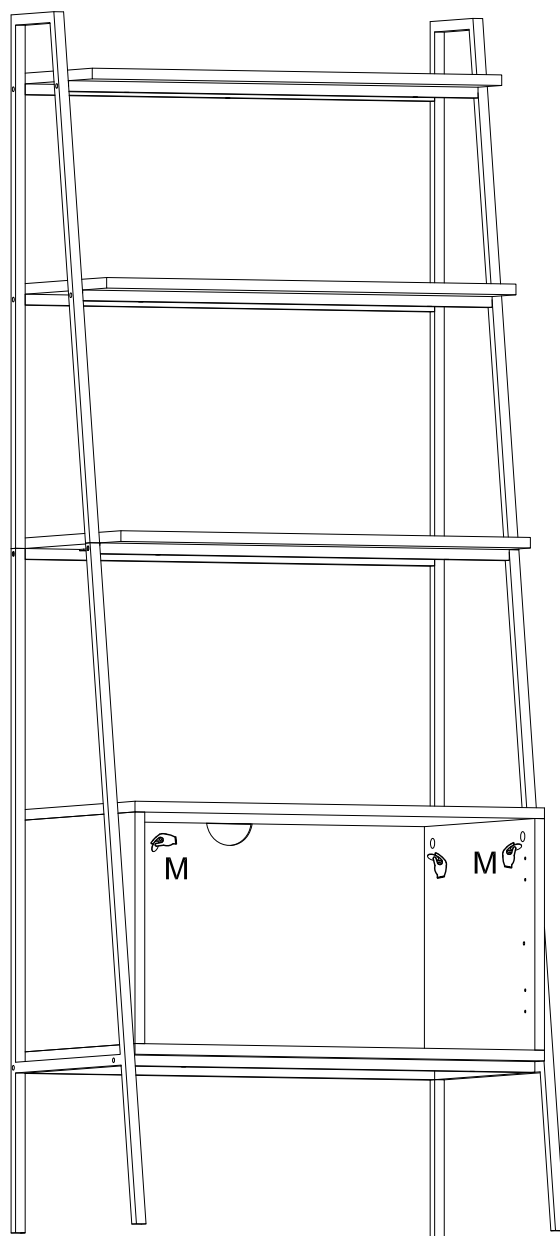
Attach part (10,16) to part (6,8,11,12) using bolt (B,T) with hex key (C).

# Step 10



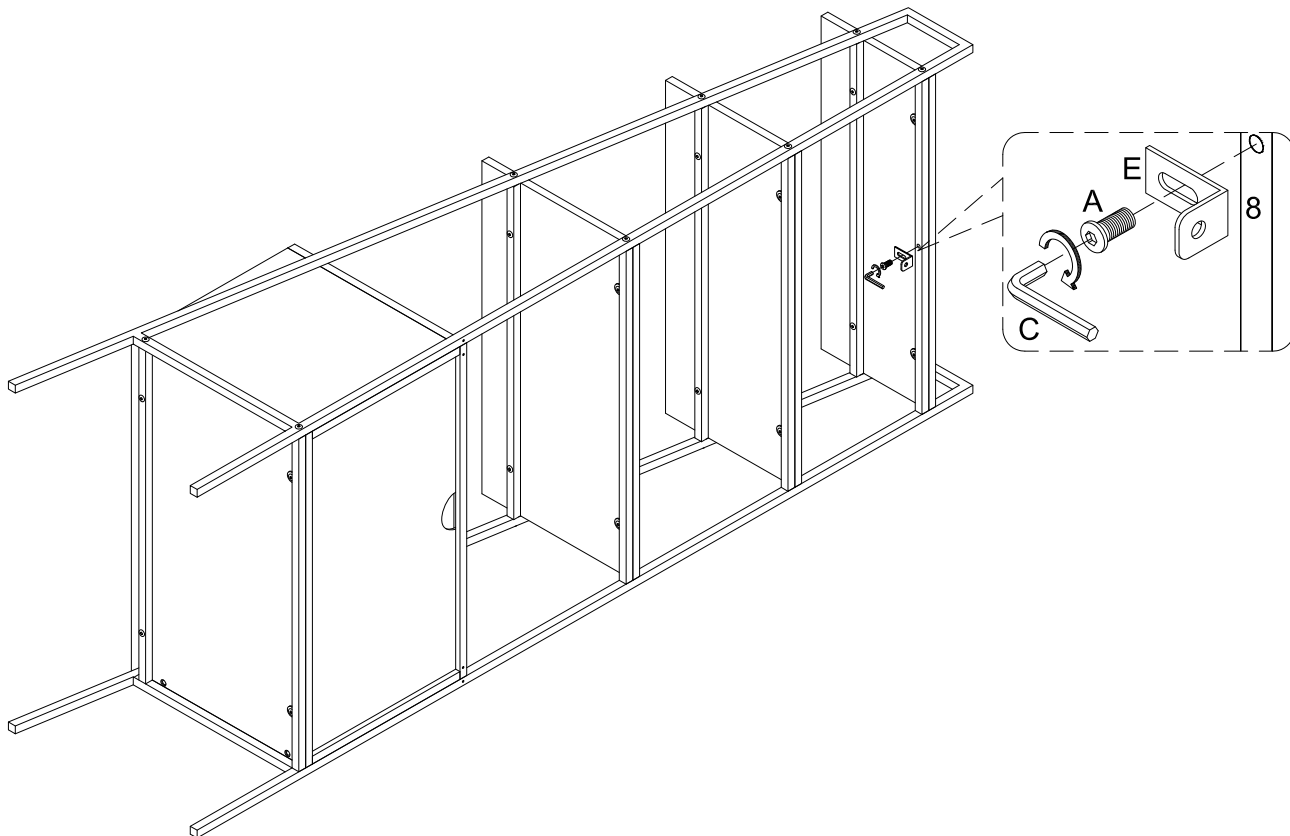
Attach part (15,16) to part (7,8,11,12) using bolt (B,T) with hex key (C).

# Step 11



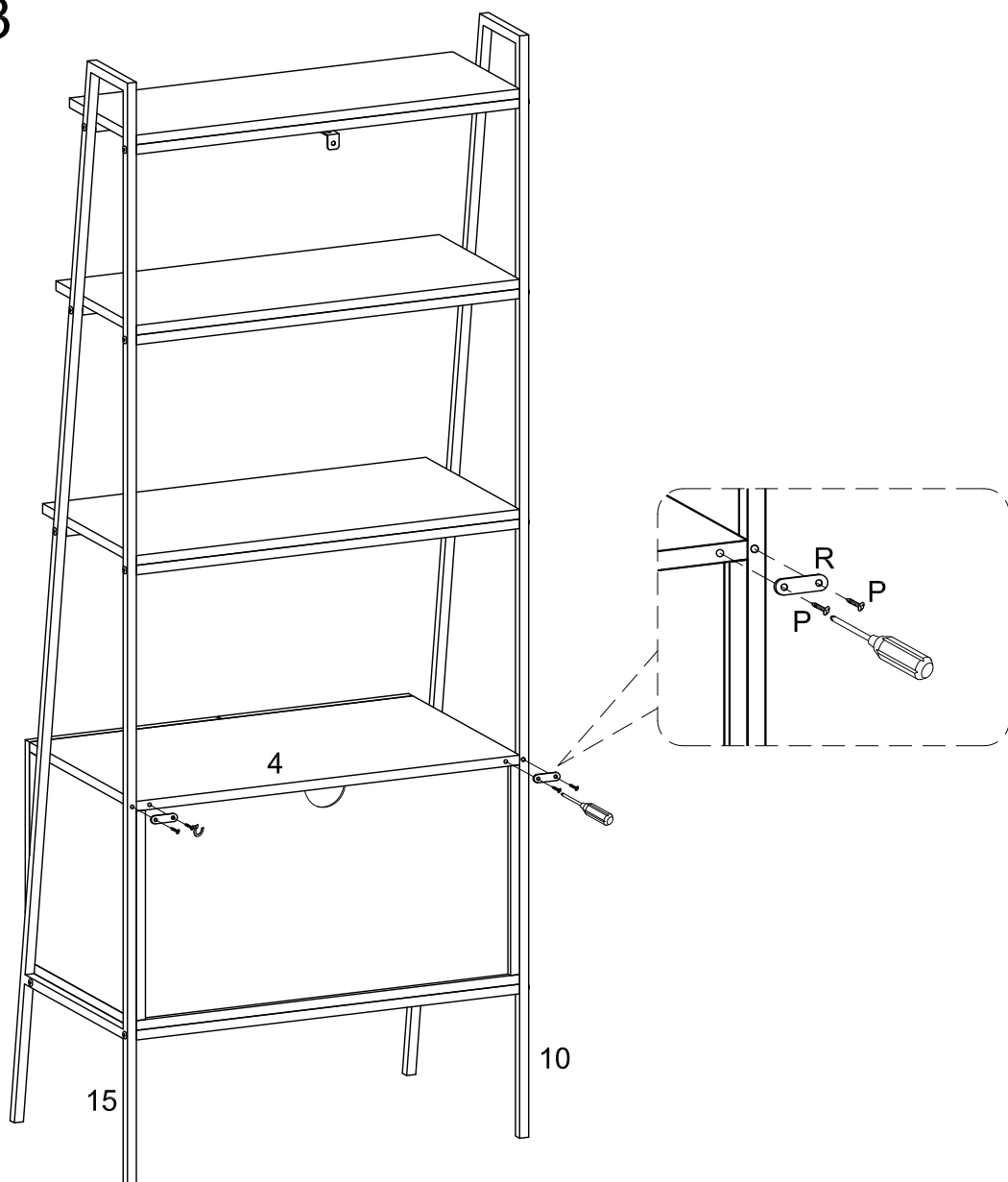
Place sticker (M) over holes as per diagram.

# Step 12



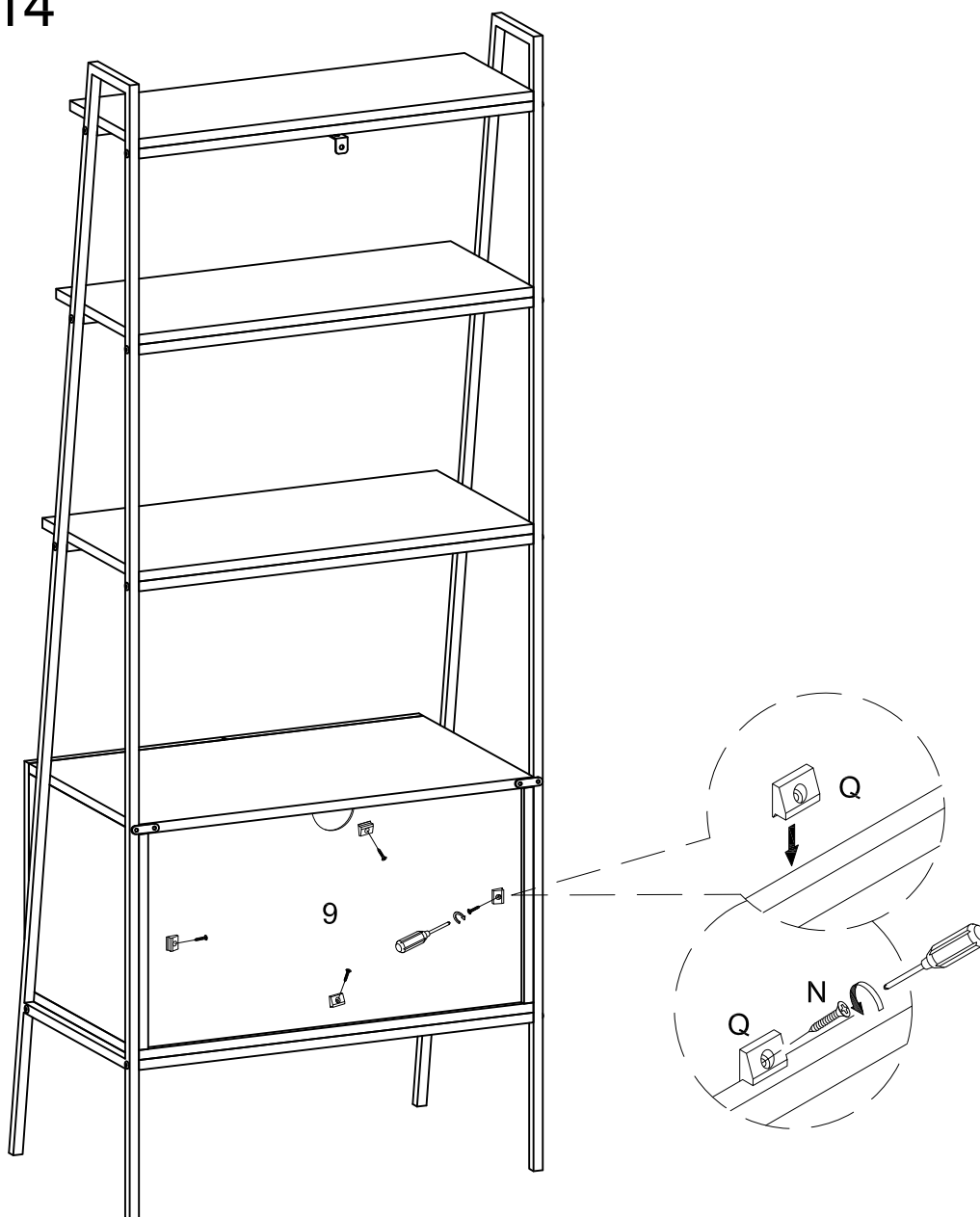
Attach bracket (E) to part (8) using bolt (A) with hex key (C).

# Step 13



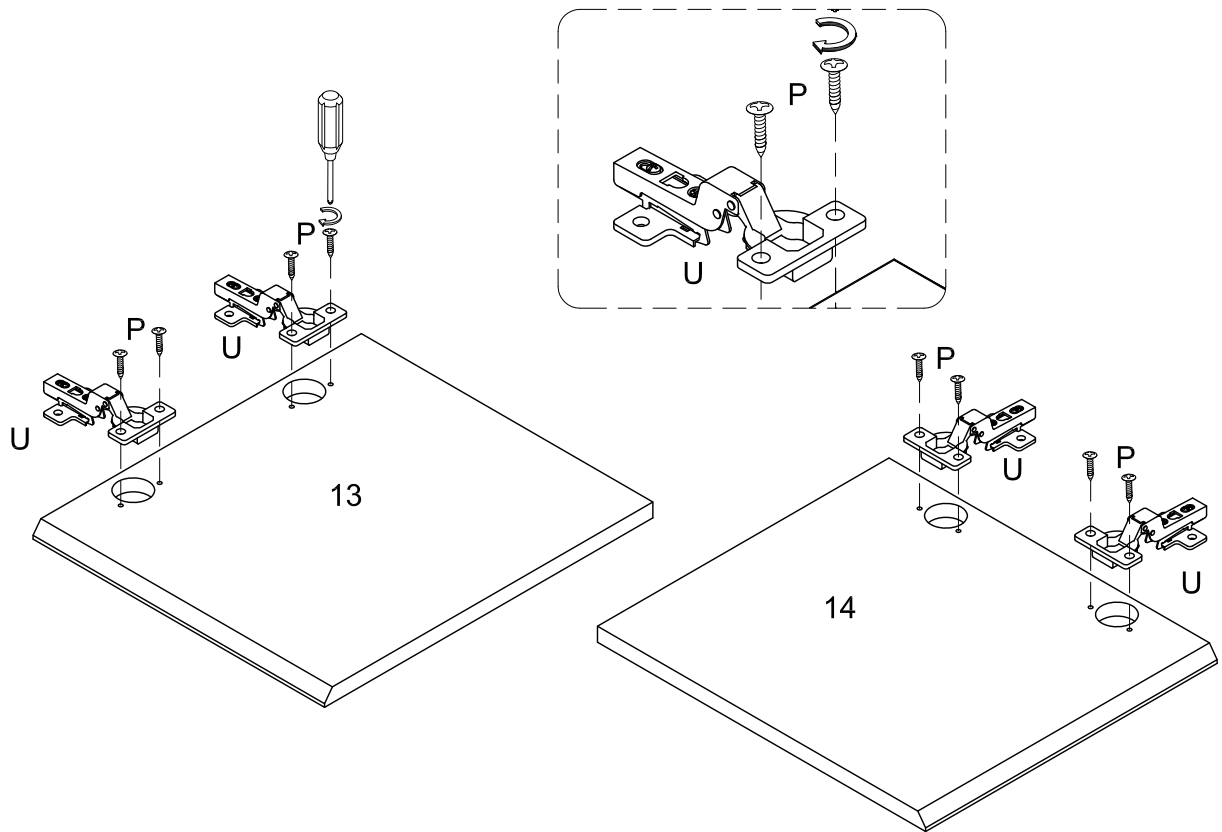
Attach plate (R) to part (4) using screw (P) with screwdriver.

# Step 14



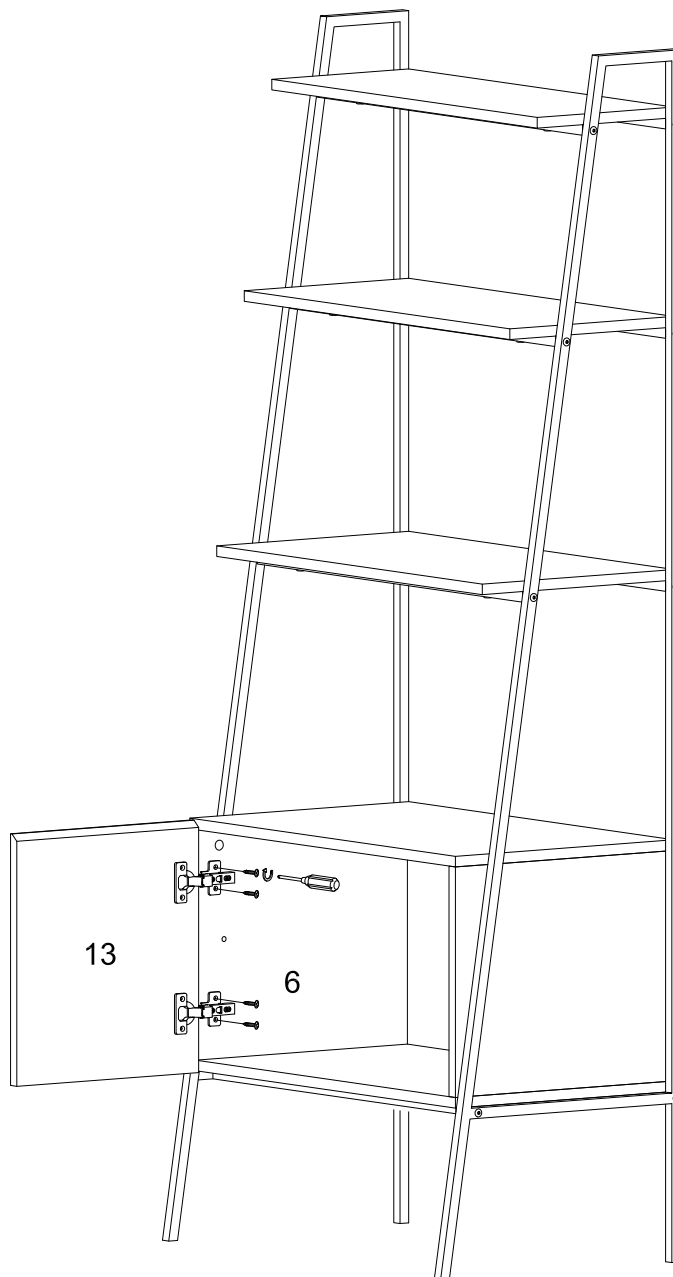
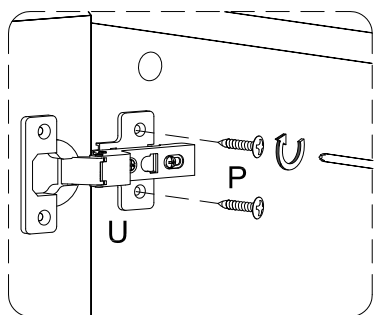
Attach plastic wedge (Q) to part (9) using screw (N) with screwdriver.

# Step 15



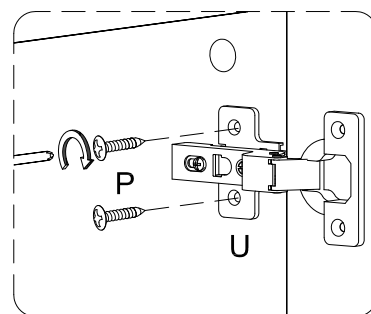
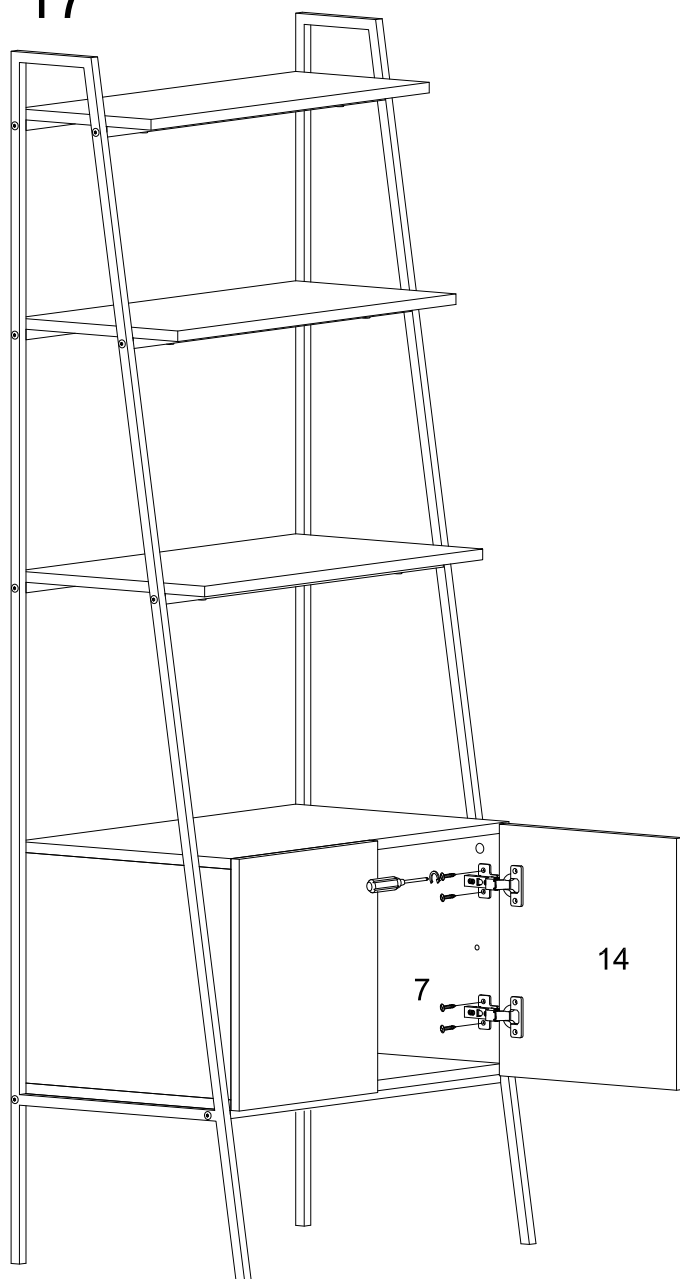
Attach hinge (U) to part (13,14) using screw (P) with screwdriver.

# Step 16



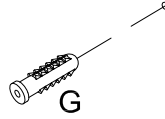
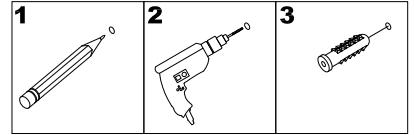
Attach part (13) to part (6) using screw (P) with screwdriver.

# Step 17



Attach part (14) to part (7) using screw (P) with screwdriver.

# Step 18

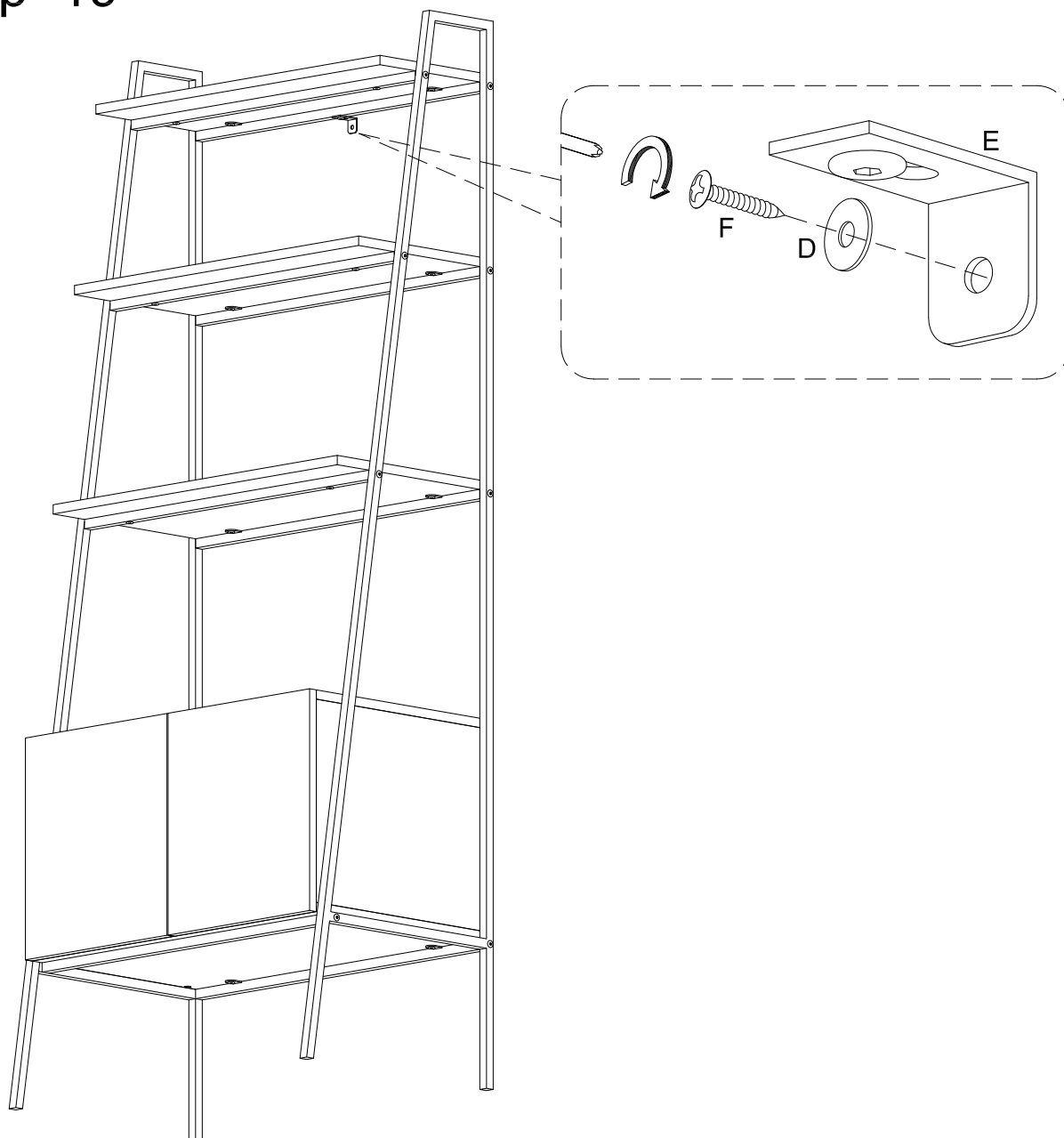


Wall

1. Measure height for bracket in desired location.
2. Drill hole using 6mm size bit.
3. Insert wall anchor (G) into wall at desired location.

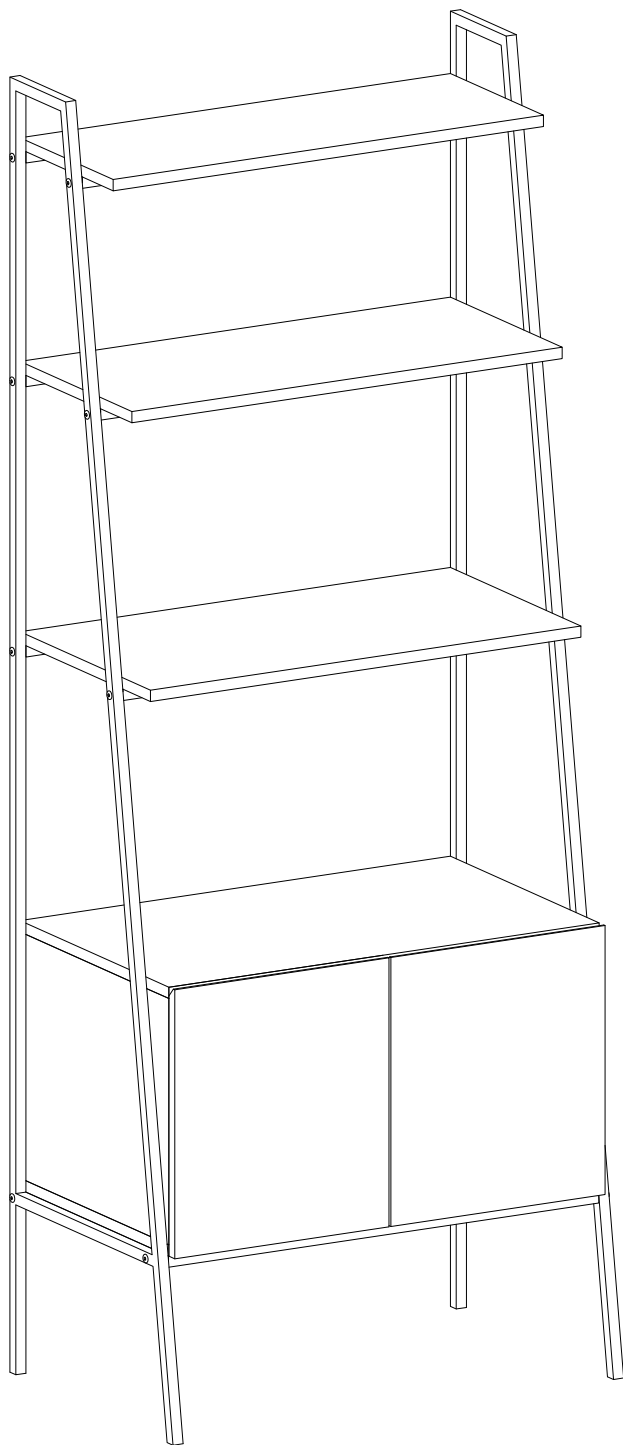
\*Wall anchor included for drywall mounting. Use correct wall anchor and hardware for your wall material.

# Step 19



Secure furniture to wall anchor (G) in wall using washer (D) and screw (F) with screwdriver.

# Step 20



Final Assembly