




Melody

Masterpiece of Art Nouveau Design

With a gracefully arching gooseneck, the Melody exudes timeless beauty. Its 90° oscillation delivers a gentle, multi-directional breeze, filling your space with the perfect balance of air flow. Whether nestled in a cozy corner or positioned to enhance your HVAC system's efficiency, the Melody effortlessly blends form and function. Crafted from cast aluminum and heavy stamped steel, this fan is a lasting testament to quality, backed by a limited lifetime warranty. Let the Melody transform your space into a sanctuary of comfort and style.



PRODUCT FEATURES

-  AC Motor
-  Wall Control
-  90° Oscillation
-  Unipack Shipping
-  Damp Location

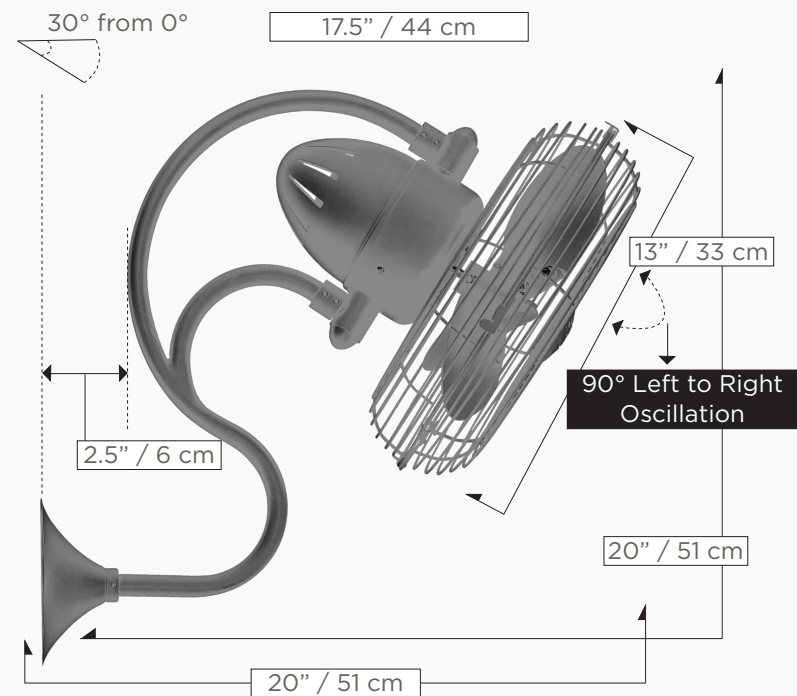
FAN FEATURES

- Fan Weight** 14 lbs
- Blade Material** Metal / ABS
- Recommended Mounting Height** Approximately 24 inches / 61cm from ceiling
- Fan Weight** 12 lbs
- Voltage** 110 or 220
- Fan Guard** Safety Cage
- Blade Pitch** 31°

MOTOR FEATURES

- Motor Type** AC
- Oscillation** Yes
- Ambiance** Soothing White Noise
- Safety Certification** ETL / CETL
- Warranty** Limited Lifetime

TECHNICAL SPECIFICATIONS



SKU BUILDER

FAN FINISHES

Fan Finishes
Metal Blades



Matte Black



Texture Bronze

DOE MOTOR EFFICIENCY DATA

- RPM (Low/High)** 1213 / 1495
- CFM (Low/High)** 868 / 1303
- Watts (High)** 47.68
- CFM/Watt (High)** 48

FAN DIAMETER

- Fan Diameter** 13 inches / 33 cm
- Fan Height** 20 inches / 51 cm
- Fan Projection** 20 inches / 51 cm

STANDARD EQUIPMENT

Safety Cage
Wall Mounting Bracket

Wall Control
Requires three-wire system
- 3-speed
- Oscillation On/Off

Note:
1) A three-wire system is needed to operate the oscillation mechanism independent of the fan blades.

**For more information see accessory page. 132*