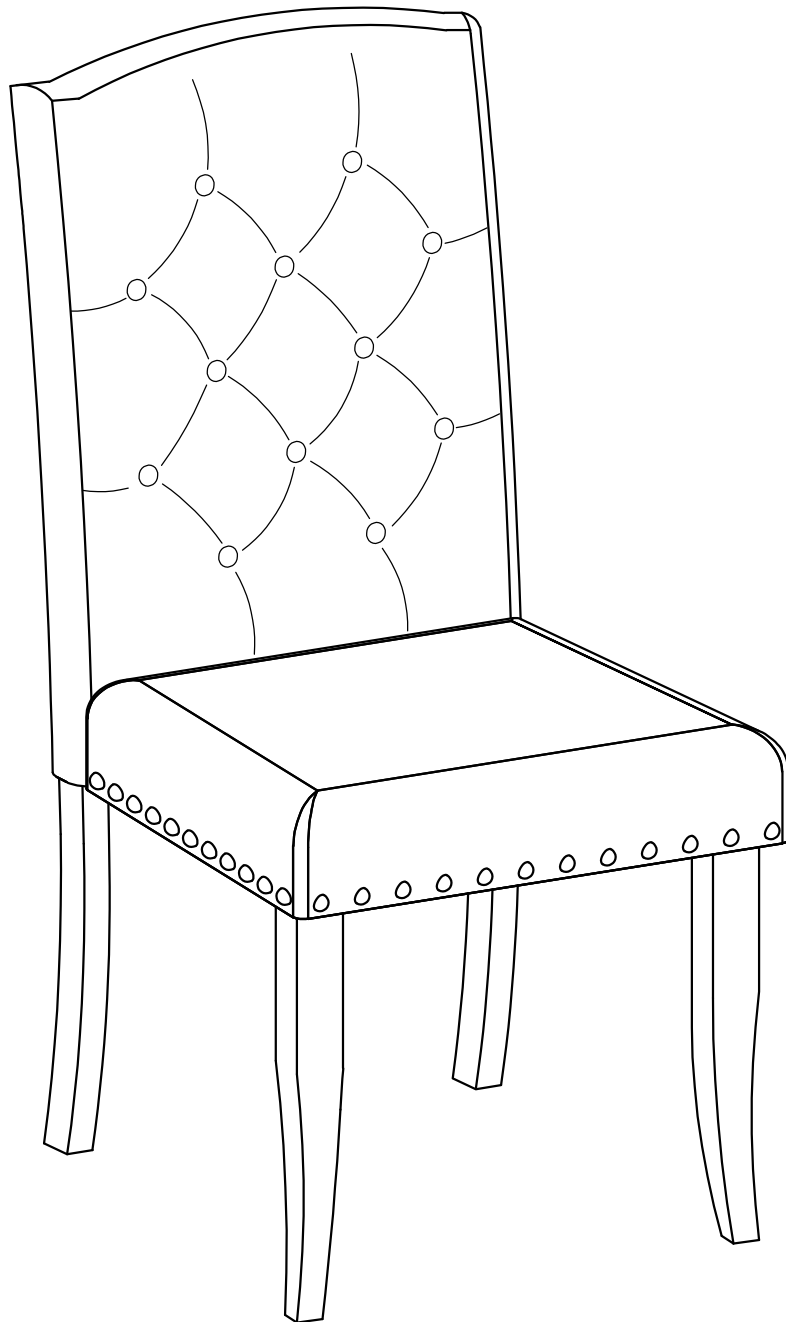


ASSEMBLY INSTRUCTION

ITEM NO.N715P391589

Dining Chair



ASSEMBLY INSTRUCTION

ITEM NO.N715P391589

Please read these instructions fully before starting assembly:

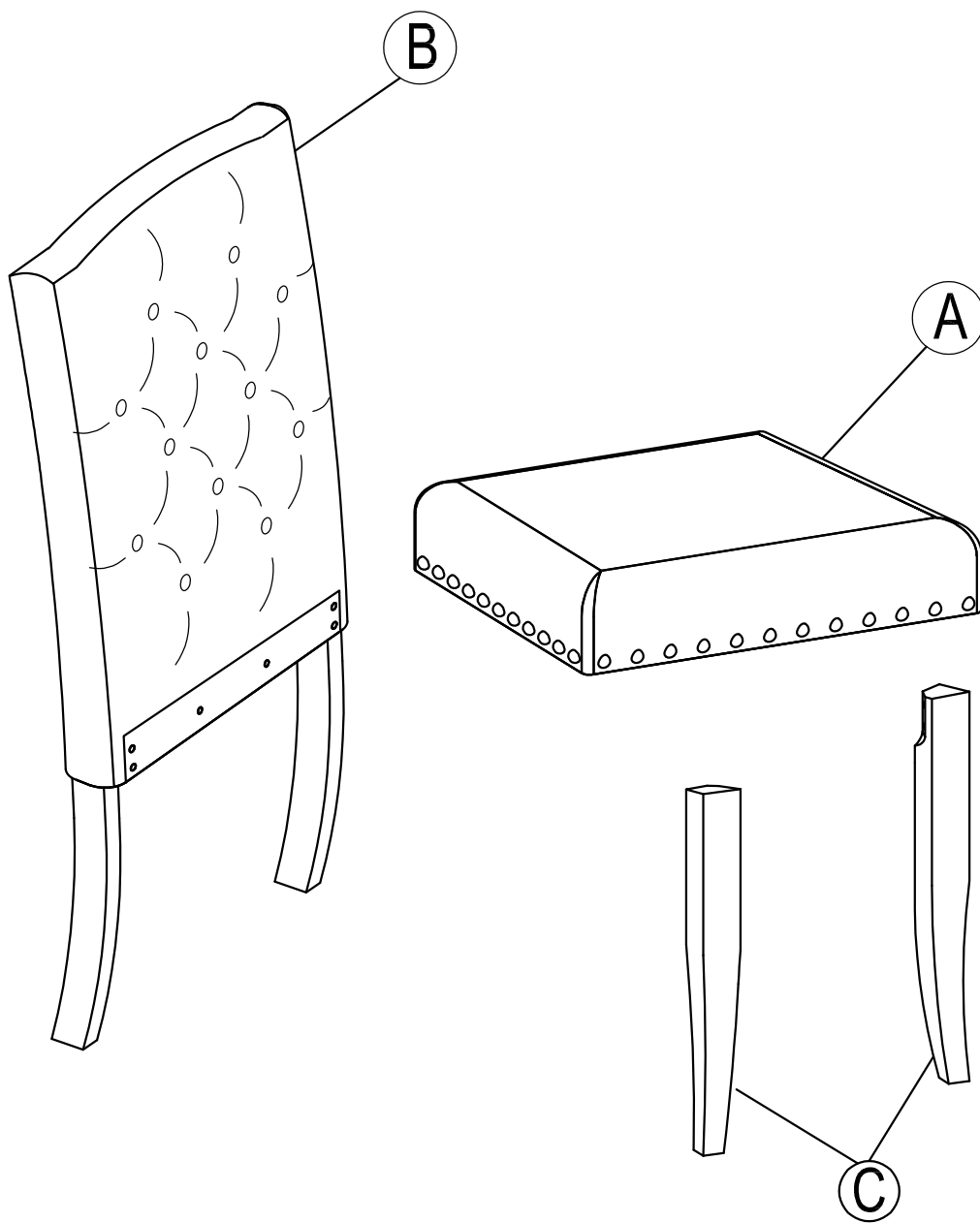
1. Place all wooden parts on a clean and smooth surface such as a rug or carpet to avoid scratching the parts.
2. Kindly follow the assembly instructions step by step.
3. Do not tighten all screws and bolts until the table is fully assembled.
4. Unscrew the protective plastique supports from the metal insert of the table legs before assembly.
5. Parts of the assembly will be easier with 2 people.

Care and maintenance:

Only clean using a damp cloth and mild detergent, do not use bleach or abrasive cleaners.

ASSEMBLY INSTRUCTION

ITEM NO.N715P391589

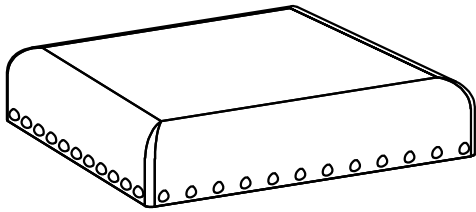


ASSEMBLY INSTRUCTION

ITEM NO.N715P391589

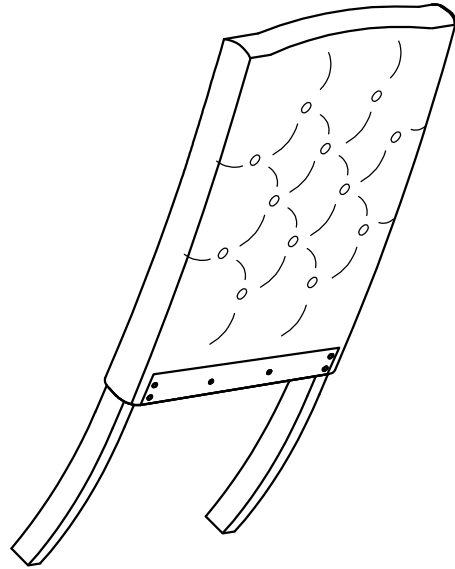
Part List

(A)



SEAT CHAIR (2 pcs)

(B)



BACK CHAIR (2 pcs)

(C)



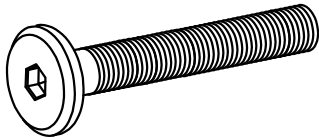
LEG FRONT (4 pcs)

ASSEMBLY INSTRUCTION

ITEM NO.N715P391589

Hardware List

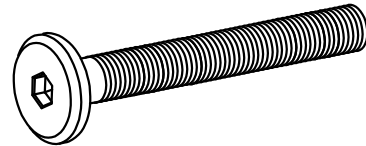
①



Ø 1/4" x 40mm

BOLT (4pcs)

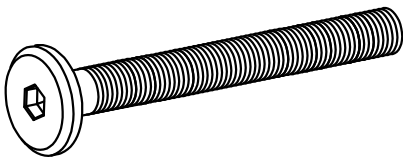
②



Ø 1/4" x 55mm

BOLT (8 pcs)

③



Ø 1/4" x 75mm

BOLT (8 pcs)

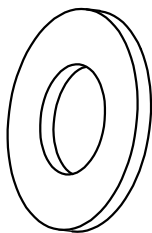
④



Ø5/16" x 13mm

LOCK WASHER (20 pcs)

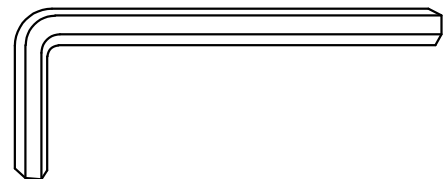
⑤



Ø5/16" x 19 x 2mm

FLAT WASHER (20 pcs)

⑥



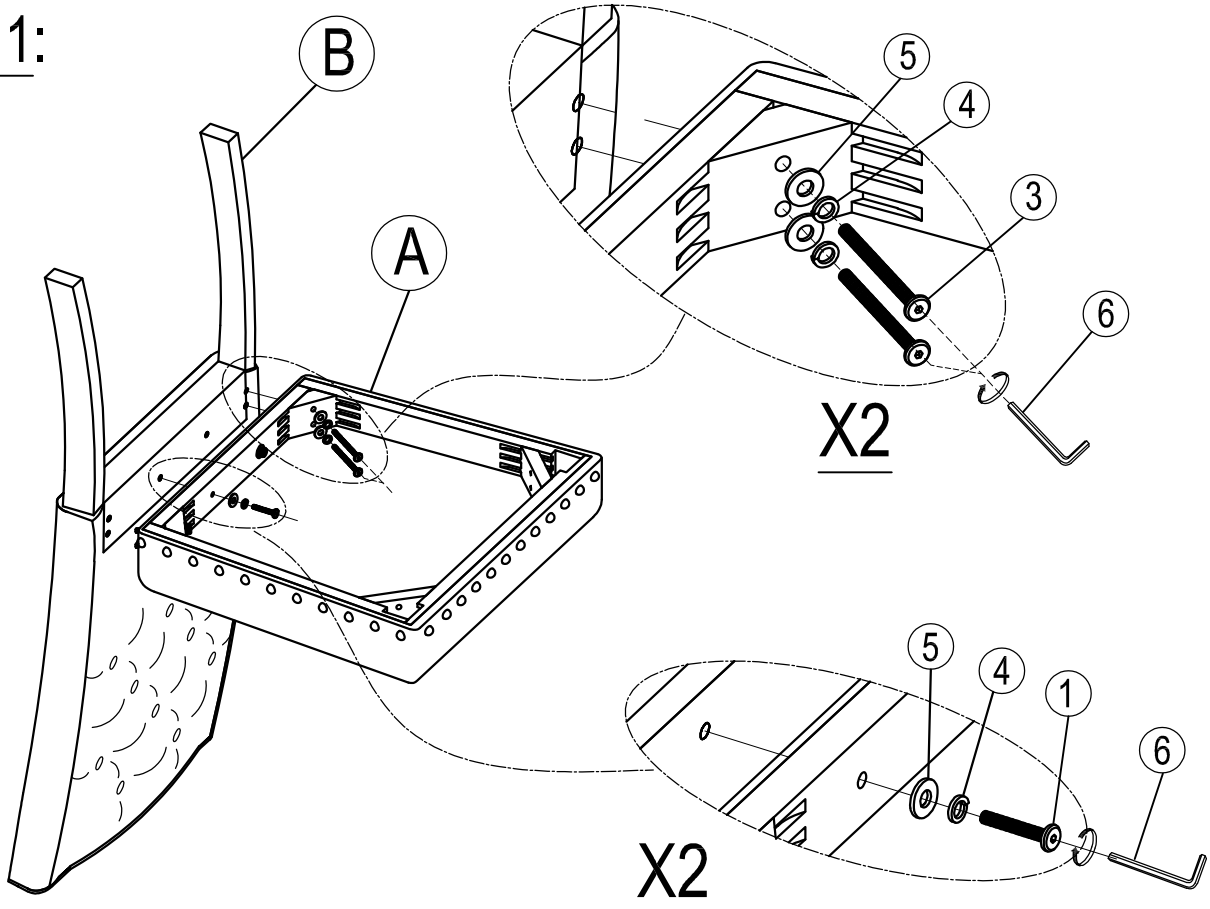
4mm






ALLEN KEY (1pc)

ASSEMBLY INSTRUCTION

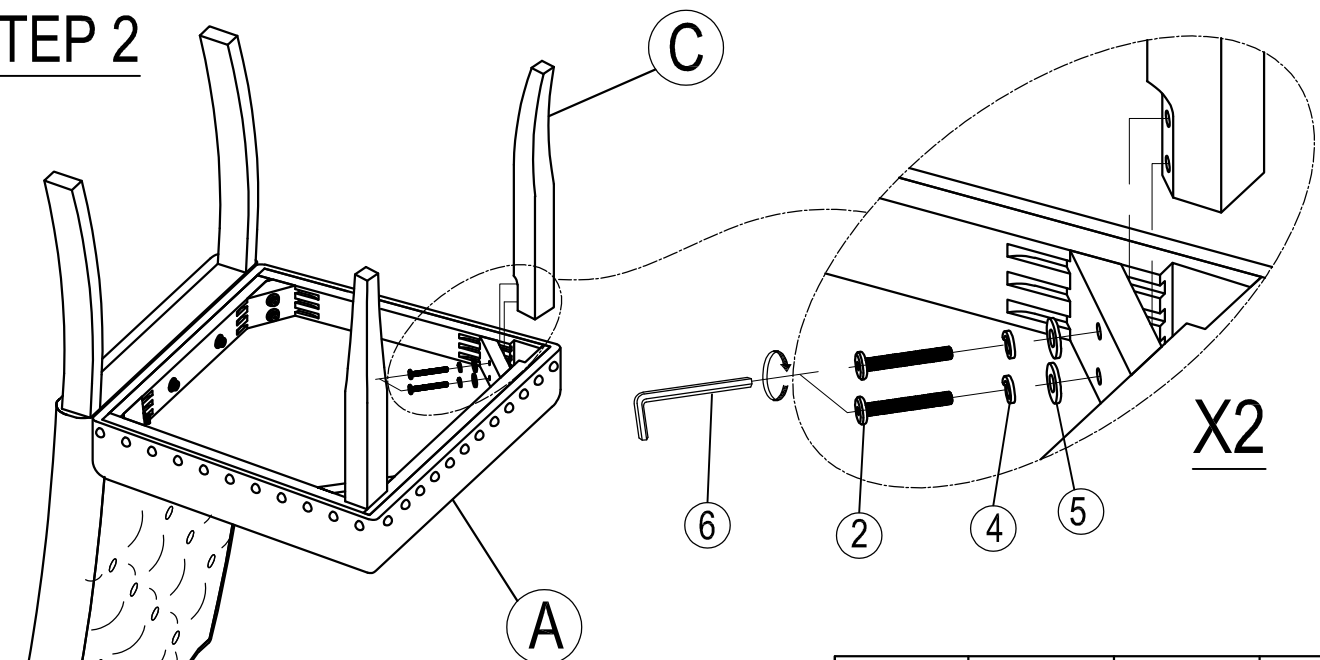
ITEM NO.N715P391589




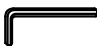
STEP 1:



BOLT Ø 1/4" x 40 mm  ①x2	BOLT Ø 1/4" x 75 mm  ③x4	LOCK WASHER Ø5/16" x 13 mm  ④x6	FLAT WASHER Ø5/16" x 19 x 2mm  ⑤x6	ALLEN KEY 4 mm  ⑥x1
---	--	---	--	---

STEP 2

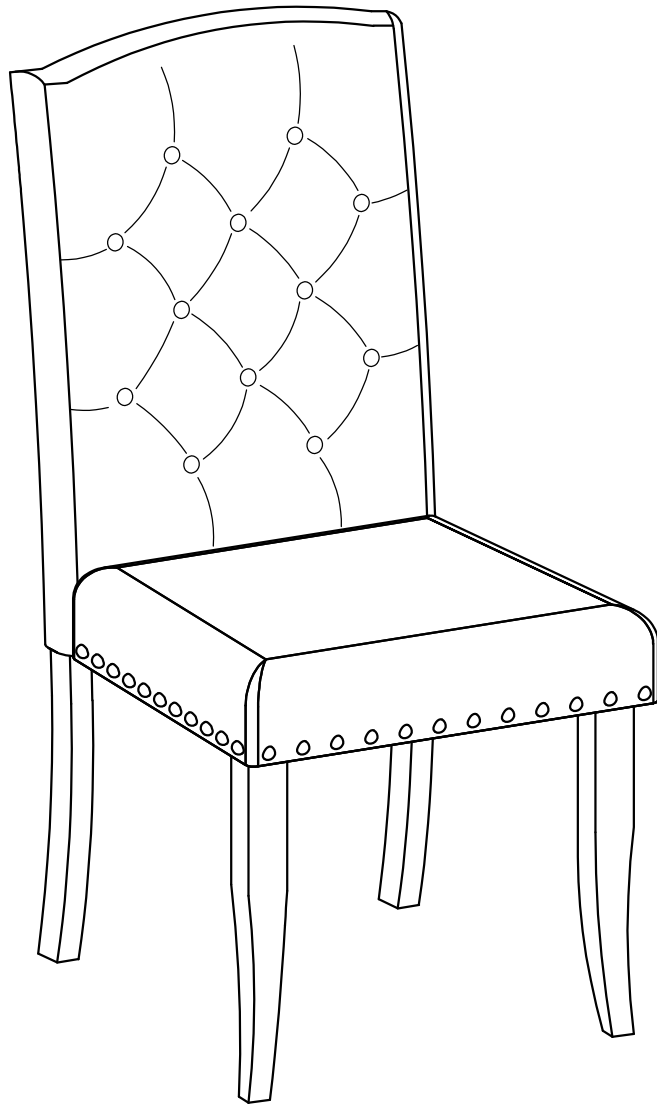


BOLT Ø 1/4" x 55 mm  ②x4	LOCK WASHER Ø5/16" x 13 mm  ④x4	FLAT WASHER Ø5/16" x 19 x 2mm  ⑤x4	ALLEN KEY 4 mm  ⑥x1
---	---	--	---

ASSEMBLY INSTRUCTION

ITEM NO.N715P391589

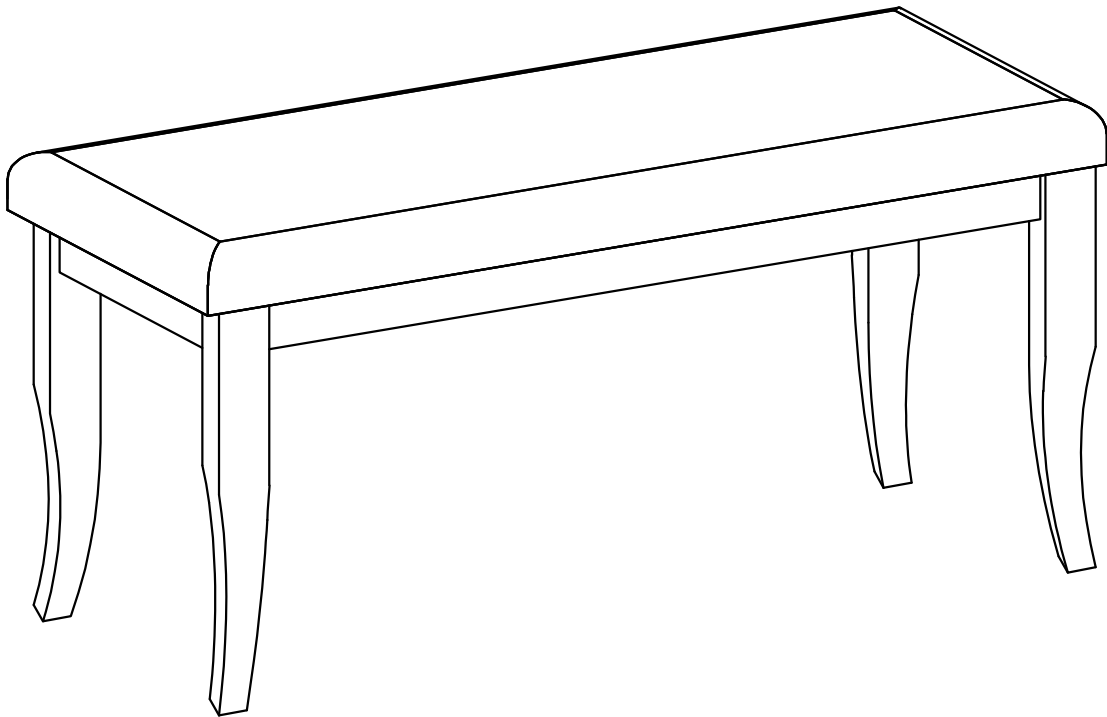
COMPLETE



ASSEMBLY INSTRUCTION

ITEM NO.N715P391589

Dining Bench



ASSEMBLY INSTRUCTION

ITEM NO.N715P391589

Please read these instructions fully before starting assembly:

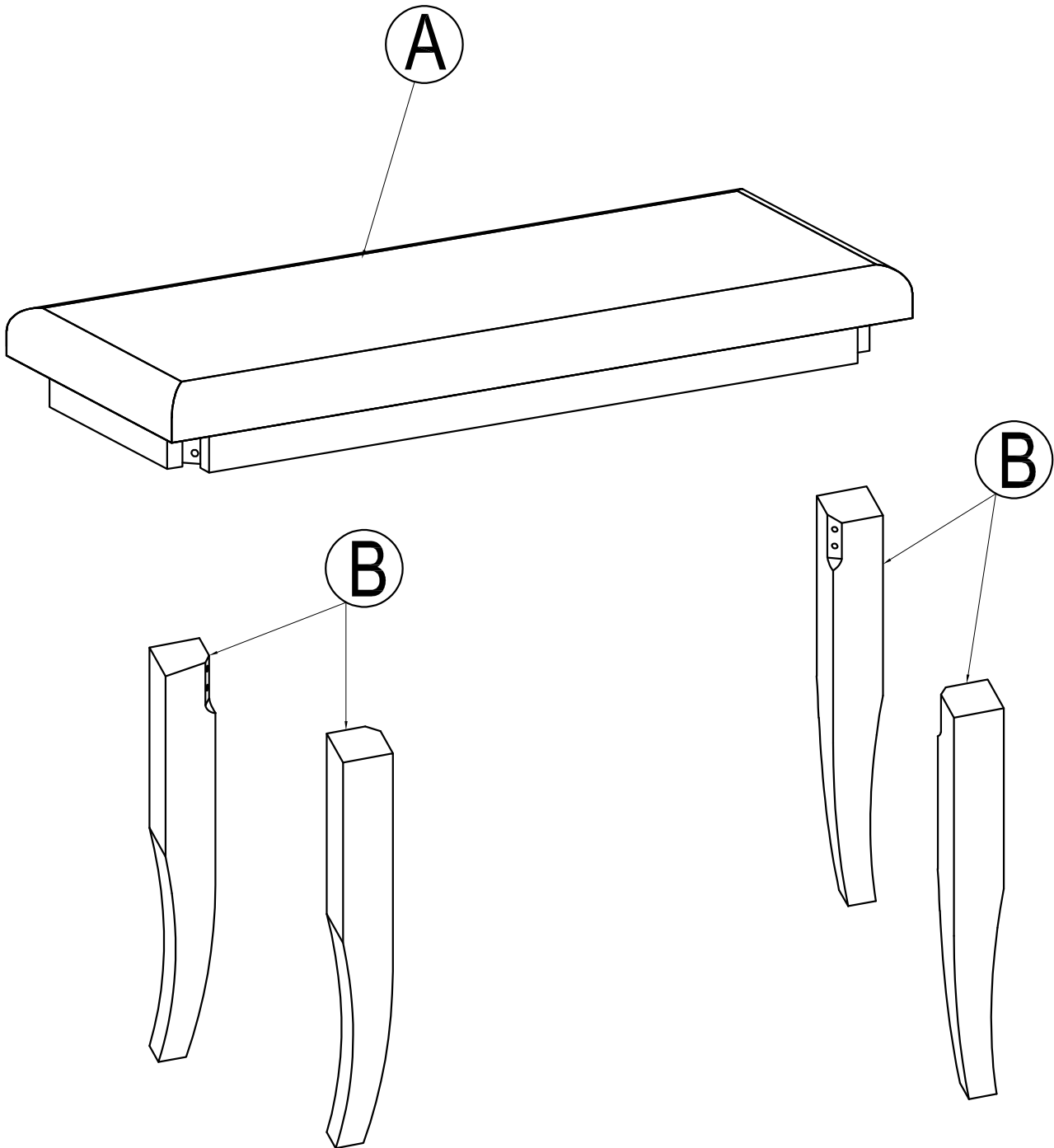
1. Place all wooden parts on a clean and smooth surface such as a rug or carpet to avoid scratching the parts.
2. Kindly follow the assembly instructions step by step.
3. Do not tighten all screws and bolts until the table is fully assembled.
4. Unscrew the protective plastique supports from the metal insert of the table legs before assembly.
5. Parts of the assembly will be easier with 2 people.

Care and maintenance:

Only clean using a damp cloth and mild detergent, do not use bleach or abrasive cleaners.

ASSEMBLY INSTRUCTION

ITEM NO.N715P391589

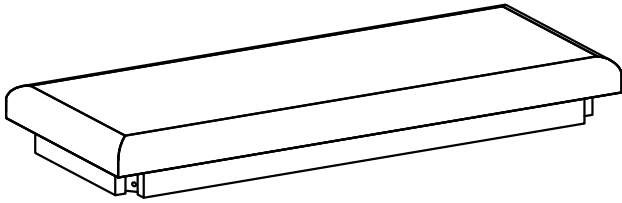


ASSEMBLY INSTRUCTION

ITEM NO.N715P391589

Part List

Ⓐ



BENCH CUSHION SEAT (1 pc)

Ⓑ



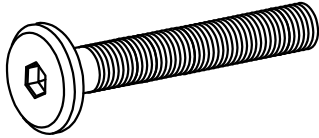
LEG FRONT (4 pcs)

ASSEMBLY INSTRUCTION

ITEM NO.N715P391589

Hardware List

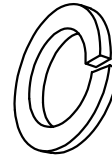
①



Ø 1/4" x 55mm

BOLT (8pcs)

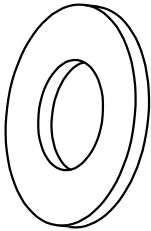
②



Ø5/16" x 13mm

LOCK WASHER (8 pcs)

③



Ø5/16" x 19 x 2mm

FLAT WASHER (8 pcs)

④



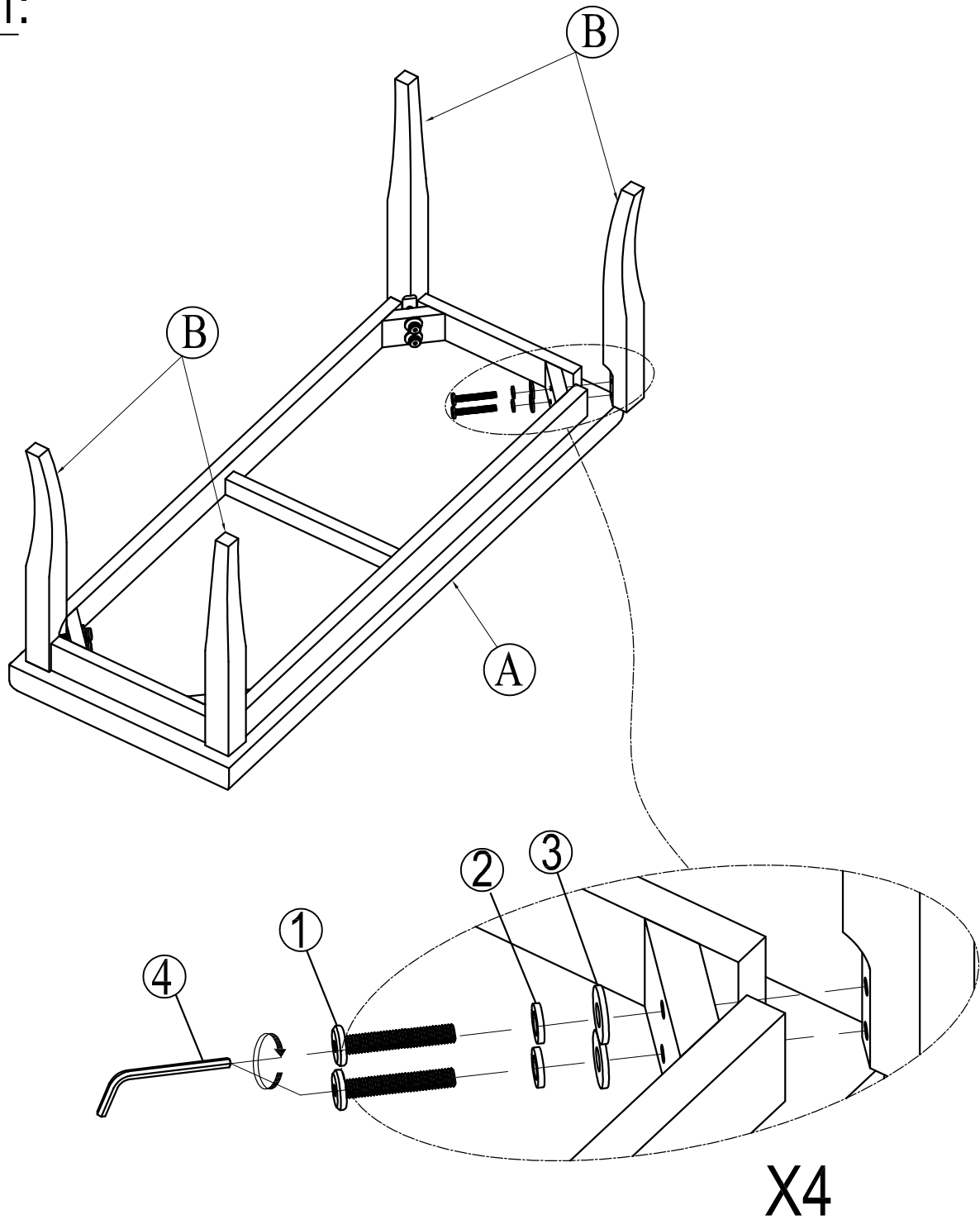
4mm





ALLEN KEY (1pc)

ASSEMBLY INSTRUCTION

ITEM NO.N715P391589

STEP 1:



BOLT	LOCK WASHER	FLAT WASHER	ALLEN KEY
Ø 1/4" x 55 mm	Ø5/16" x 13 mm	Ø5/16" x 19 x 2mm	4 mm
			
① x 8	② x 8	③ x 8	④ x 1

ASSEMBLY INSTRUCTION

ITEM NO.N715P391589

COMPLETE

