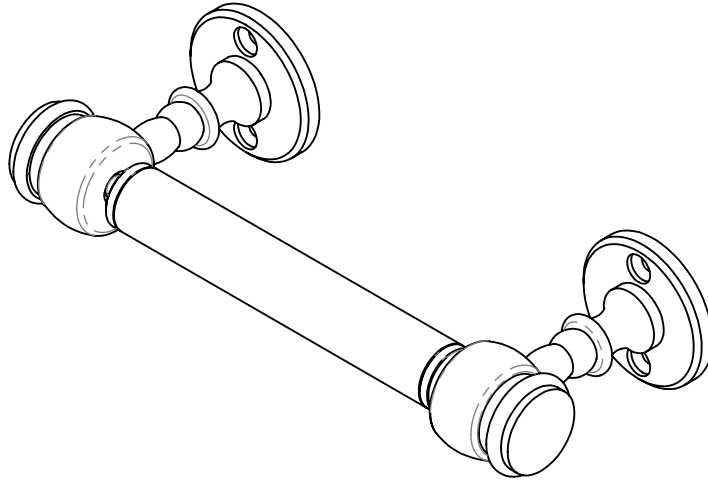




Handmade  
in the heart of  
BRITAIN



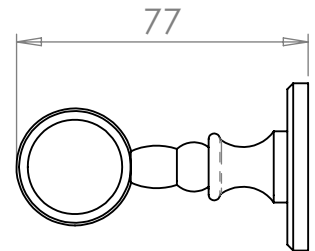
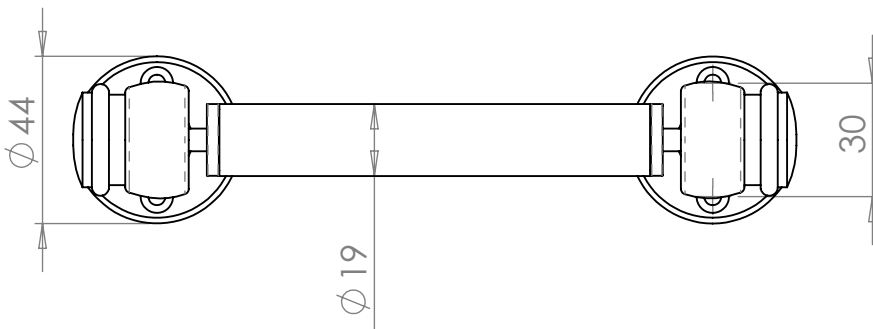
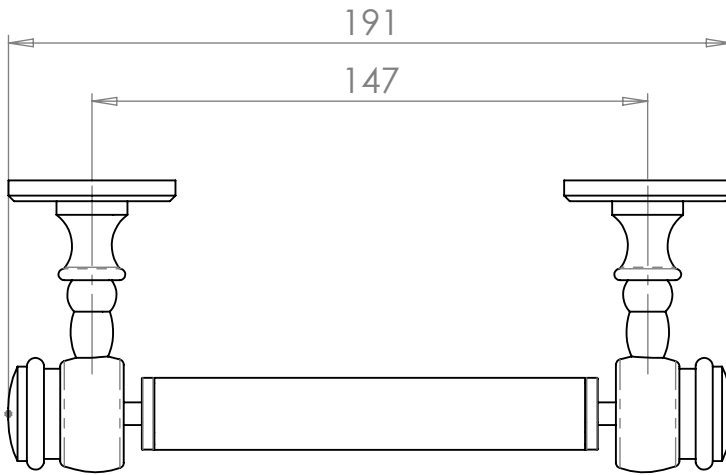
**1-100xx**

Spring Loaded Paper Holder

09 July 2021

44H x 191W x 77D

- |                             |                         |
|-----------------------------|-------------------------|
| UB - UNLACQUERED BRASS      | CP - POLISHED CHROME    |
| BB - BRUSHED BRASS          | NP - POLISHED NICKEL    |
| BN - BRUSHED NICKEL         | LB - LIGHT BRONZE       |
| LAB - LIGHT ANTIQUE BRONZE  | MB - MEDIUM BRONZE      |
| MAB - MEDIUM ANTIQUE BRONZE | DB - DARK BRONZE        |
| DAB - DARK ANTIQUE BRONZE   | GP - GOLD PLATED        |
| AG - ANTIQUE GOLD           | GM - GUN METAL          |
| MWP - MATT WHITE P.COAT     | MBP - MATT BLACK P.COAT |



**THE STERLINGHAM** CO. LTD.

SCALE: 1:5 | APPROX WEIGHT 629.62KG

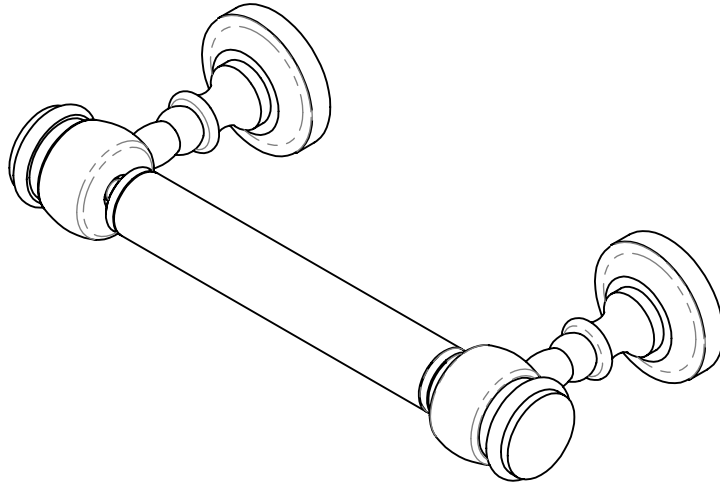
MANUFACTURED FROM BRASS

Units 2 & 2A Stamford Street  
Amblecote, Stourbridge,  
Worcestershire  
England, DY8 4HR

Telephone : 01384 370901  
Fax : 01384 880159  
sales@sterlingham.co.uk  
www.sterlingham.co.uk



Handmade  
in the heart of  
BRITAIN



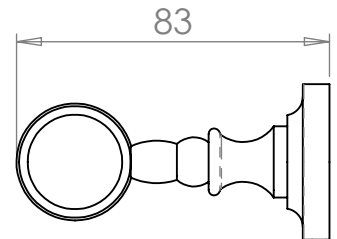
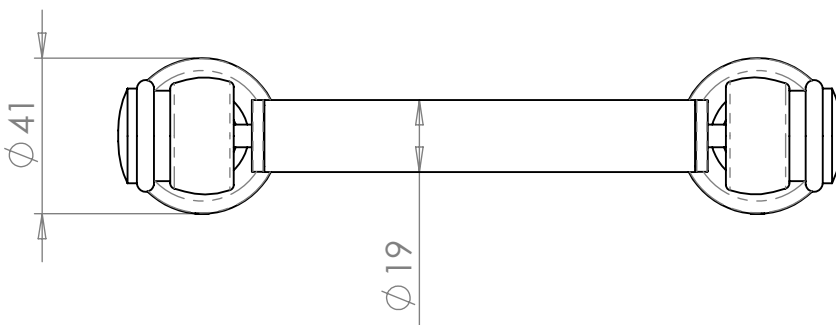
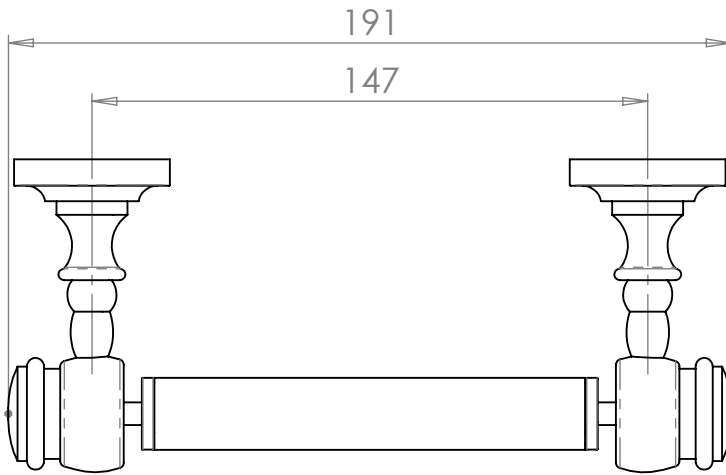
**1-100CLD-xx**

Spring Loaded Paper Holder

09 July 2021

41H x 191W x 83D

- |                                    |                                |
|------------------------------------|--------------------------------|
| <b>UB</b> - UNLACQUERED BRASS      | <b>CP</b> - POLISHED CHROME    |
| <b>BB</b> - BRUSHED BRASS          | <b>NP</b> - POLISHED NICKEL    |
| <b>BN</b> - BRUSHED NICKEL         | <b>LB</b> - LIGHT BRONZE       |
| <b>LAB</b> - LIGHT ANTIQUE BRONZE  | <b>MB</b> - MEDIUM BRONZE      |
| <b>MAB</b> - MEDIUM ANTIQUE BRONZE | <b>DB</b> - DARK BRONZE        |
| <b>DAB</b> - DARK ANTIQUE BRONZE   | <b>GP</b> - GOLD PLATED        |
| <b>AG</b> - ANTIQUE GOLD           | <b>GM</b> - GUN METAL          |
| <b>MWP</b> - MATT WHITE P.COAT     | <b>MBP</b> - MATT BLACK P.COAT |



**THE STERLINGHAM** CO. LTD.

SCALE: 1:5 | APPROX WEIGHT 629.62KG

MANUFACTURED FROM BRASS

Units 2 & 2A Stamford Street  
Amblecote, Stourbridge,  
Worcestershire  
England, DY8 4HR

Telephone : 01384 370901  
Fax : 01384 880159  
sales@sterlingham.co.uk  
www.sterlingham.co.uk