
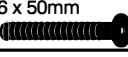



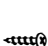
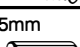


# ASSEMBLY INSTRUCTIONS

**IMPORTANT NOTE :**

- \* PLACE ALL WOODEN PARTS ON A CLEAN AND SMOOTH SURFACE SUCH AS A RUG OR CARPET TO AVOID THE PARTS FROM BEING SCRATCHED.
- \* BEFORE YOU BEGIN, KINDLY FOLLOW THE ASSEMBLY INSTRUCTIONS STEP BY STEP.
- \* DO NOT TIGHTEN ALL SCREWS UNTIL THE CHAIR IS FULLY SET-UP.

HARDWARE LIST	
A	JCBC M6 x 25mm + S/W M6 + F/W M6 x 13mm  4PCS
B	JCBC SCREW M6 x 50mm  4PCS
C	BARREL NUT M6 x 13mm  4PCS
D	ALLEN KEY M4  1PC
E	L BRACKET  4PCS
F	PH SCREW M4 x 12mm  8PCS
G	WOOD DOWEL M8 x 25mm  2PCS

PART LIST		
1	TOP REST UP	1PC
2	TOP REST DOWN	1PC
3	FRONT STRETCHER	1PC
4	BACK STRETCHER	1PC
5	RIGHT SIDE FRAME	1PC
6	LEFT SIDE FRAME	1PC
7	CUSHION SEAT	1PC

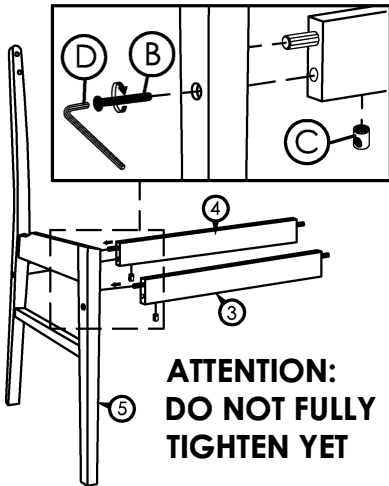
**CAUTIONS :**

(1) **DO NOT FULLY-TIGHTEN THE NUT OR NUT BOLTS INITIALLY UNTIL ALL NUTS OR BOLT IS READY ASSEMBLED.**

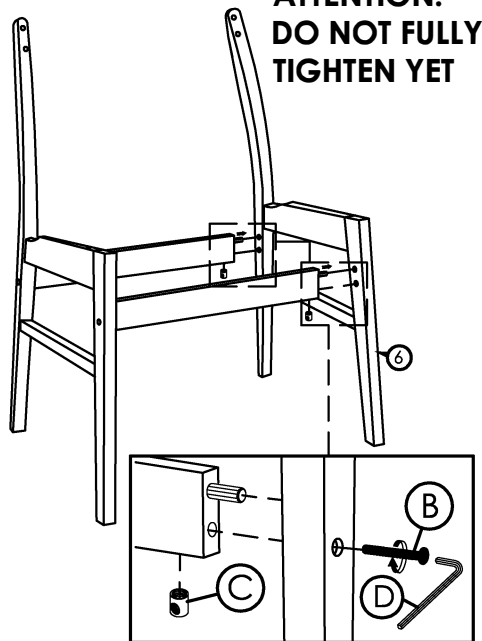
(TO AVOID CAUSING DAMAGES TO THE THREAD, DO NOT OVER-TIGHTEN THE NUTS OR BOLTS.)

(2) **KEEP ALL HARDWARE PART OUT OF REACH OF CHILDREN.**

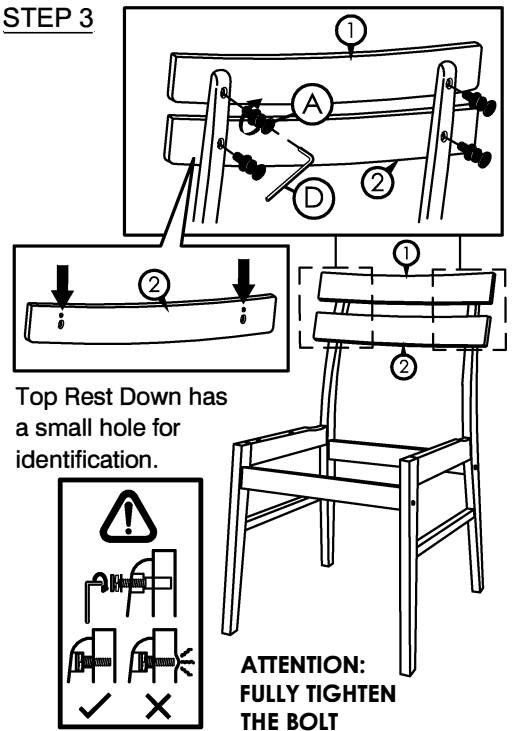
**STEP 1**



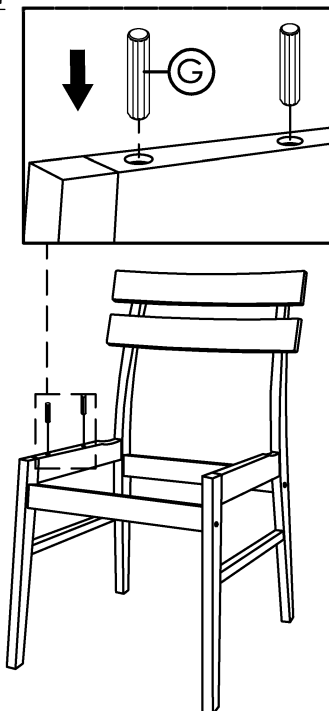
**STEP 2**



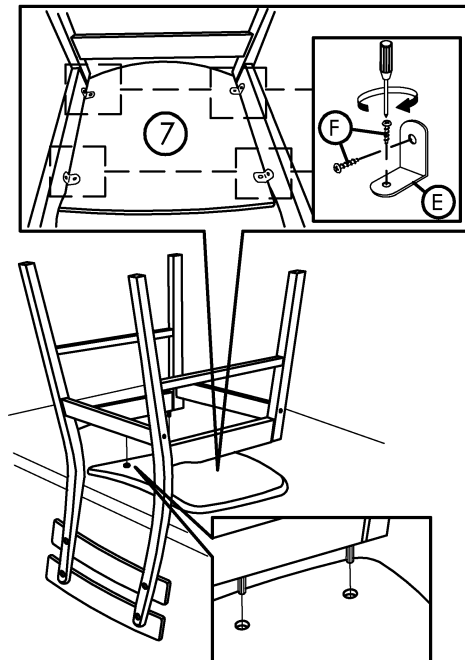
**STEP 3**



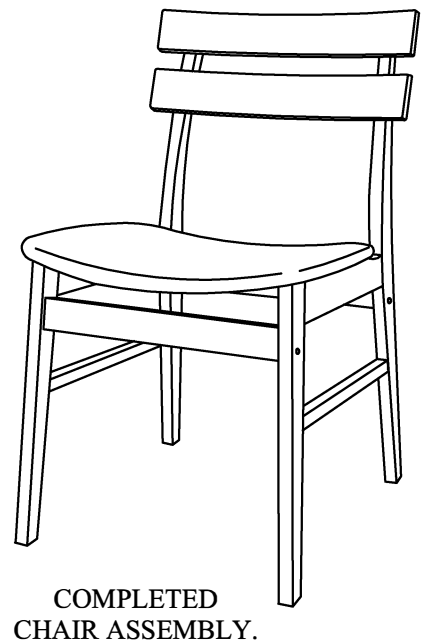
**STEP 4**



**STEP 5**



**STEP 6**



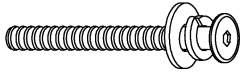
# ASSEMBLY INSTRUCTIONS

## IMPORTANT NOTE :

- \* PLACE ALL WOODEN PARTS ON A CLEAN AND SMOOTH SURFACE SUCH AS A RUG OR CARPET TO AVOID THE PARTS FROM BEING SCRATCHED.
- \* BEFORE YOU BEGIN, KINDLY FOLLOW THE ASSEMBLY INSTRUCTIONS STEP BY STEP.

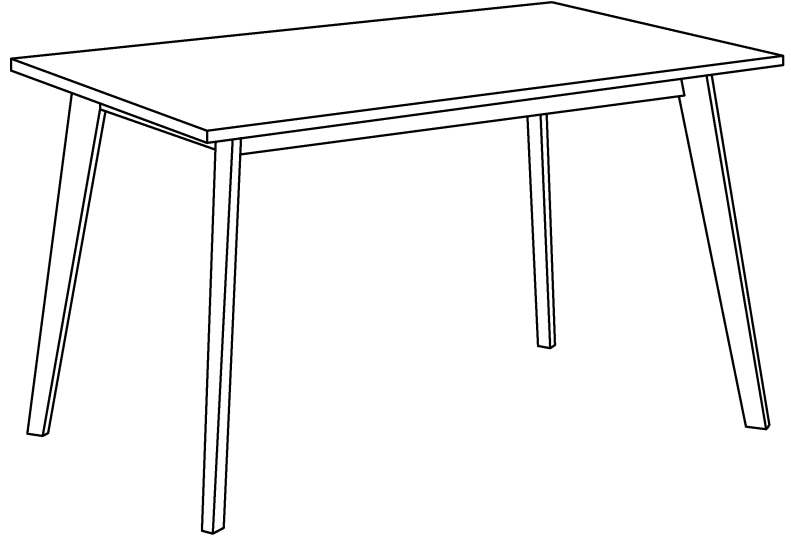
### HARDWARE LIST

A	JCBB M8 x 80mm + S/W 5/16" + F/W 5/16" x 22mm	8PCS
B	ALLEN KEY M5	1PC



### PART LIST

1	TABLE TOP	1PC
2	TABLE LEG	4PCS



COMPLETED TABLE ASSEMBLY.

