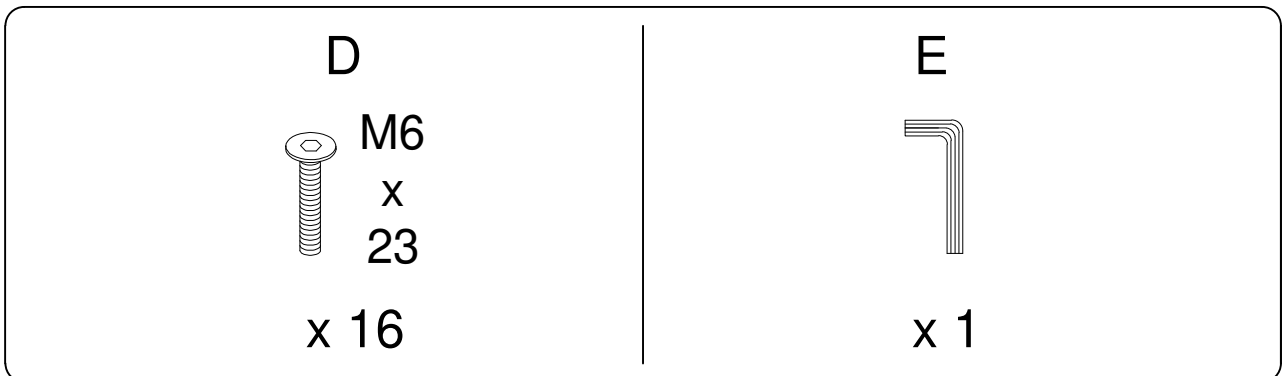
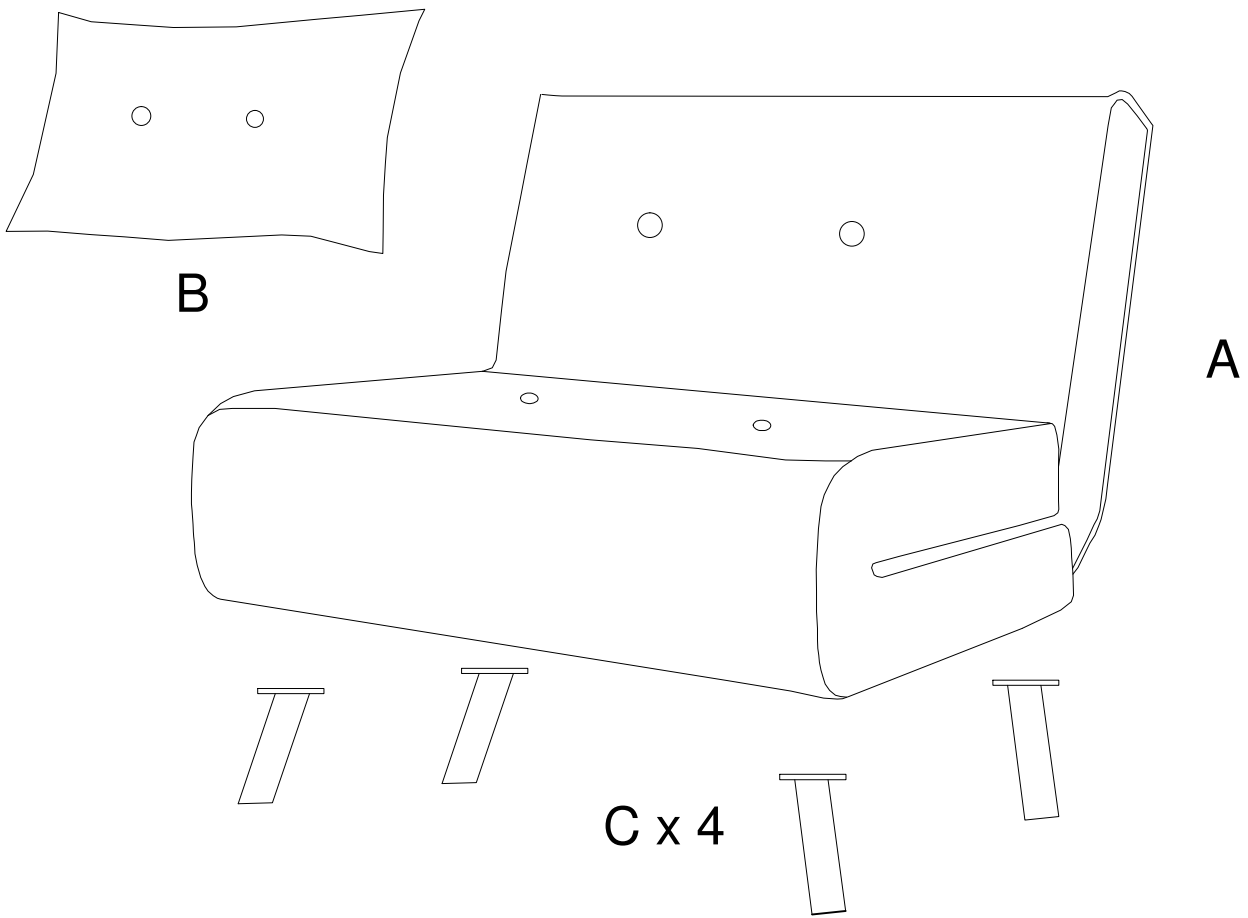
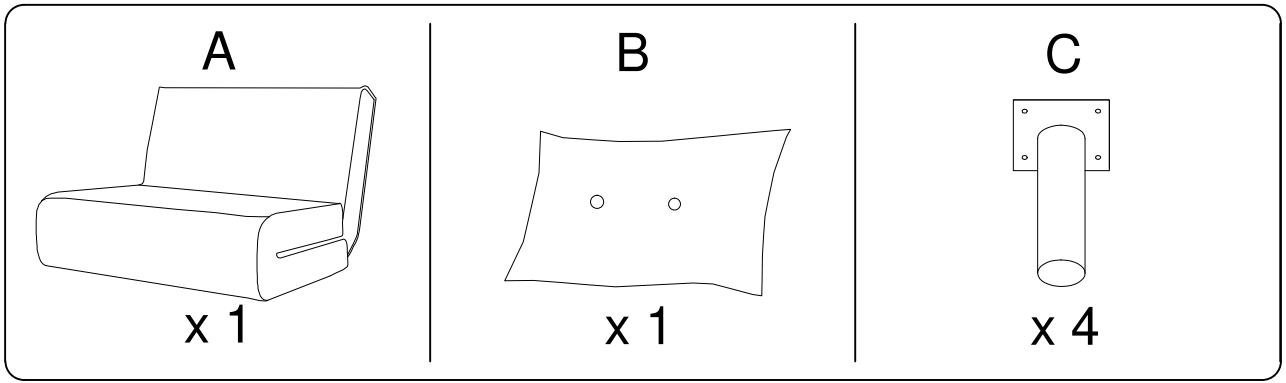
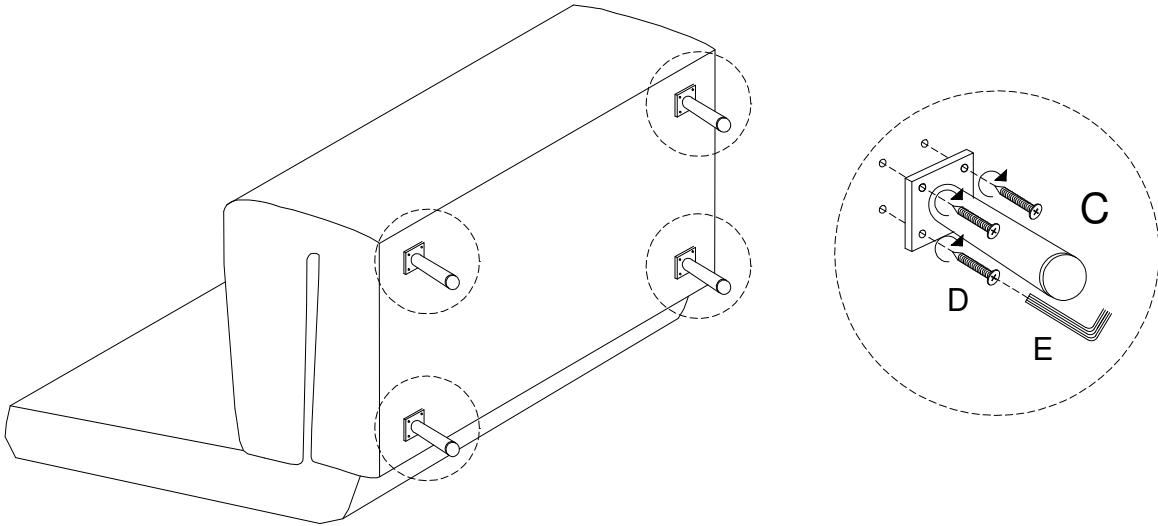
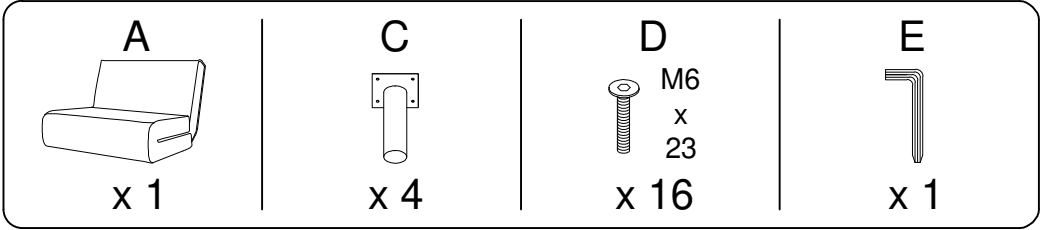


Assembly instructions for the chair:

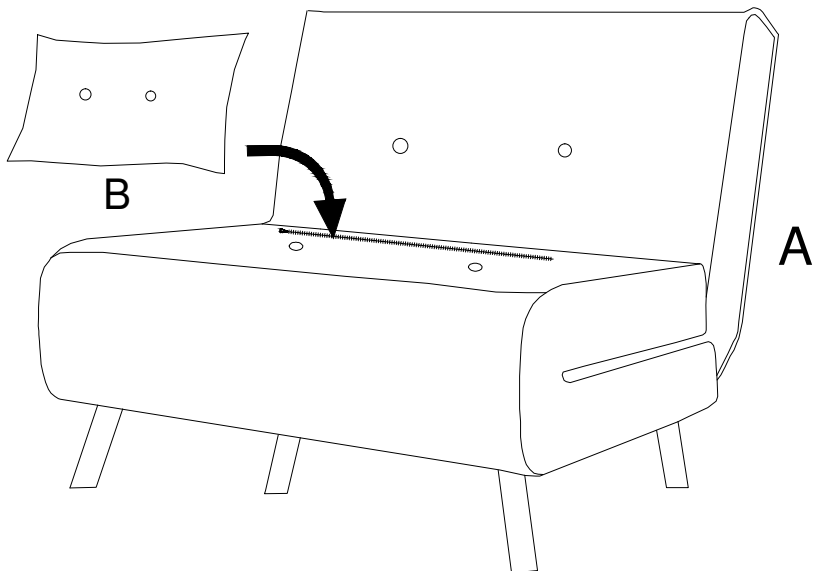
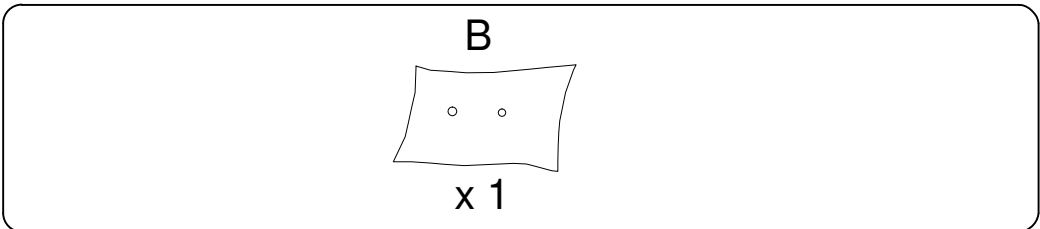
- Warning:** Do not use a power drill. Use an Allen key (shown in a circle) to tighten the backrest.
- Warning:** Do not use a saw. Use a hand saw (shown in a circle) to cut the seat pad.
- Time:** 15 minutes (indicated by a clock icon).
- Personnel:** 1 person (indicated by a person icon).



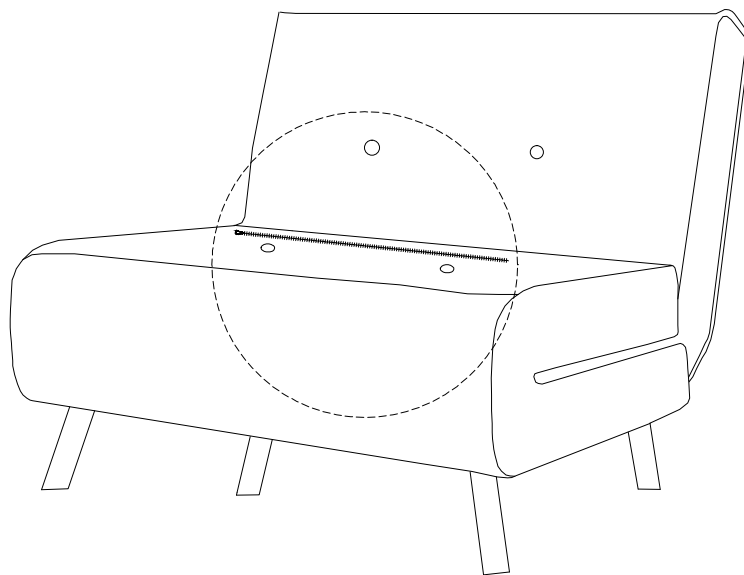
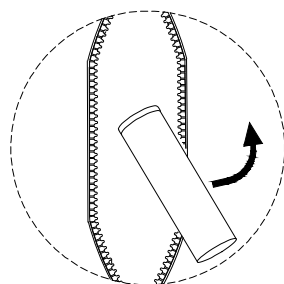
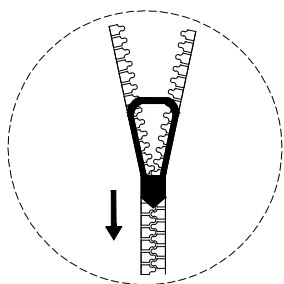
1



2



3



4

