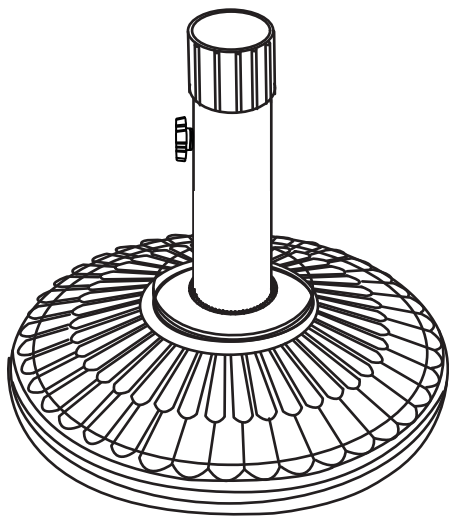


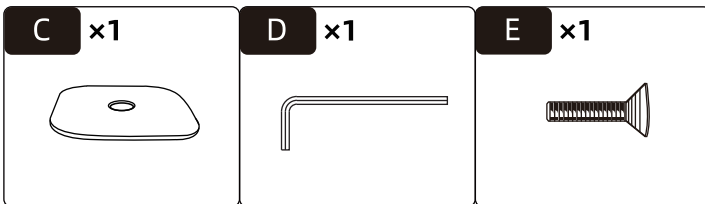
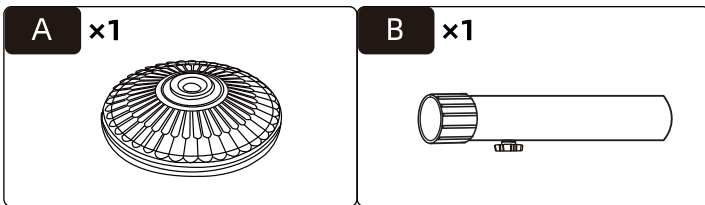
For Market Umbrella



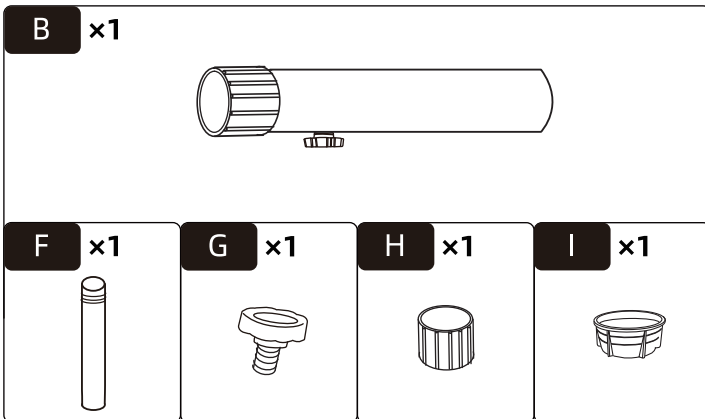
 **Instruction Manual**

***THE DIAGRAM IS FOR REFERENCE ONLY**

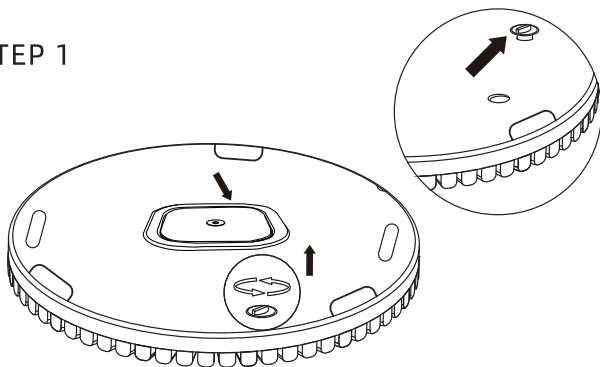
PARTS LIST



B INCLUDES THE FOLLOWING PARTS



STEP 1



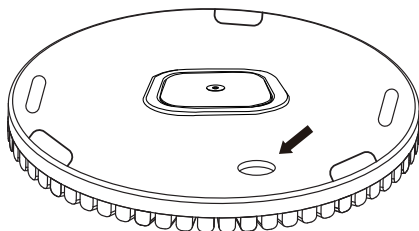
STEP 2

WATER



OR

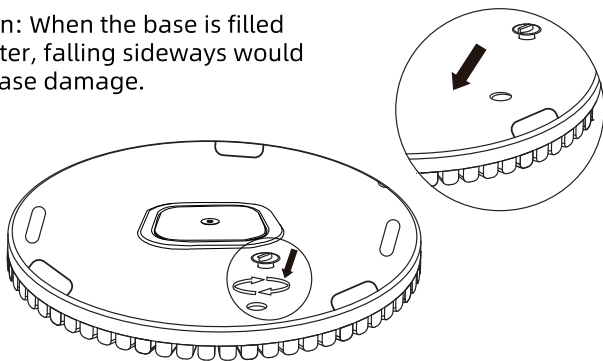
SAND



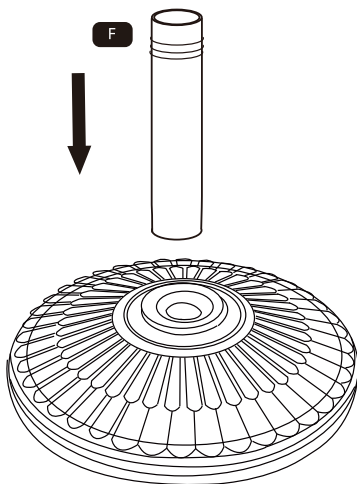
To achieve the maximum weight, use wet sand.

STEP 3

Attention: When the base is filled with water, falling sideways would cause base damage.

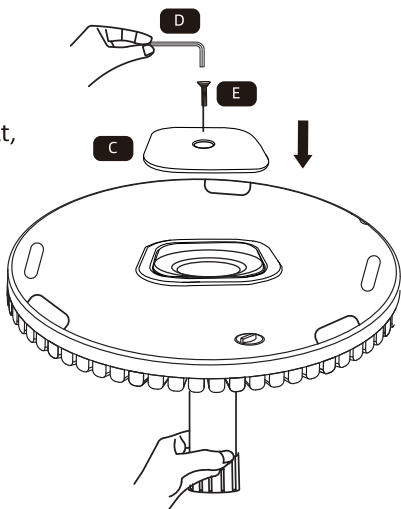


STEP 4



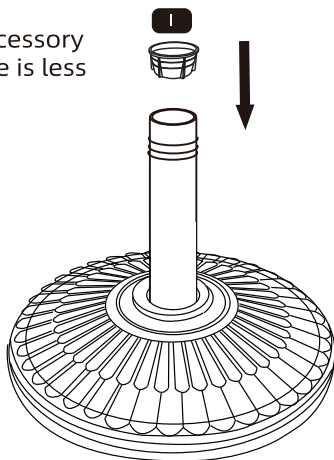
STEP 5

Use fingers to hold the bolt, and use another hand to rotate/screw the pole holder cylinder.

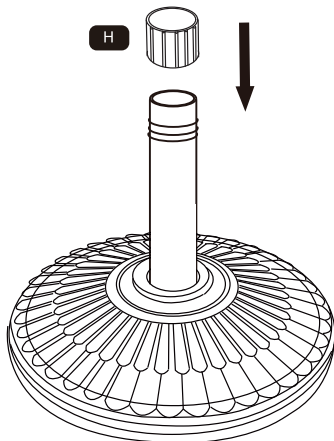


STEP 6

It is **NECESSARY** to use this accessory when the diameter of the pole is less than 35 millimeters.

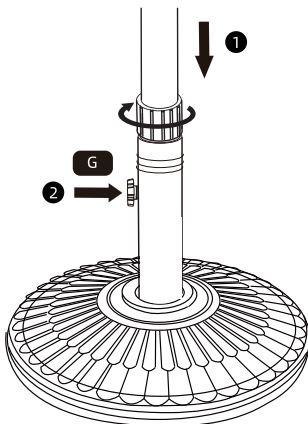


STEP 7



STEP 8

Screw the coupler to tighten it.



Done!