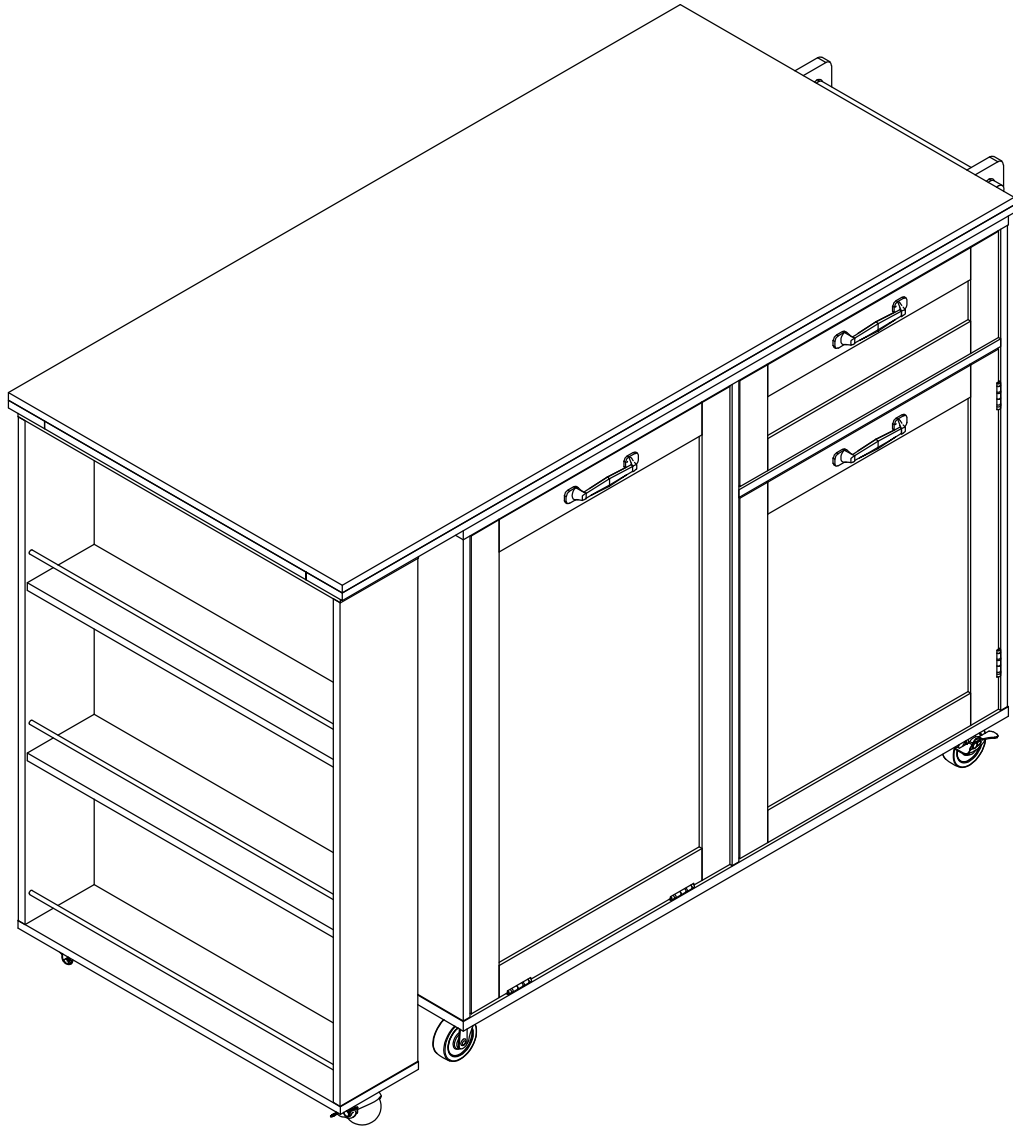


# ASSEMBLY INSTRUCTIONS

---

---



**⚠ SAFETY TIPS:**

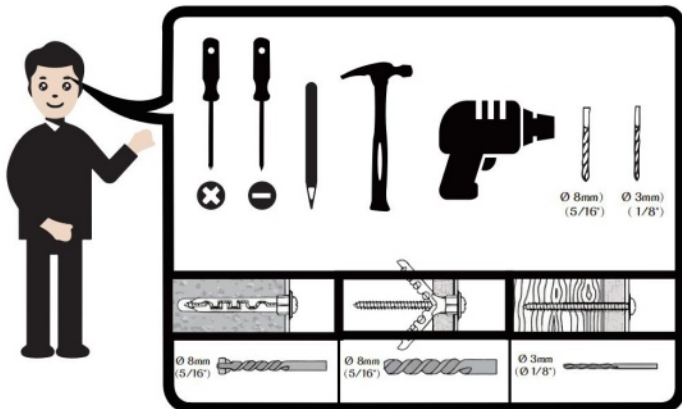
Static charge may cause dust on foam-clean with a dry or damp cloth. Small foam strands may be present-handle gently and dispose of properly. Do not burn or incinerate. Check local recycling guideline.

Have an assembly question or need a replacement part?  
Please contact with our customer service.

# Warnings

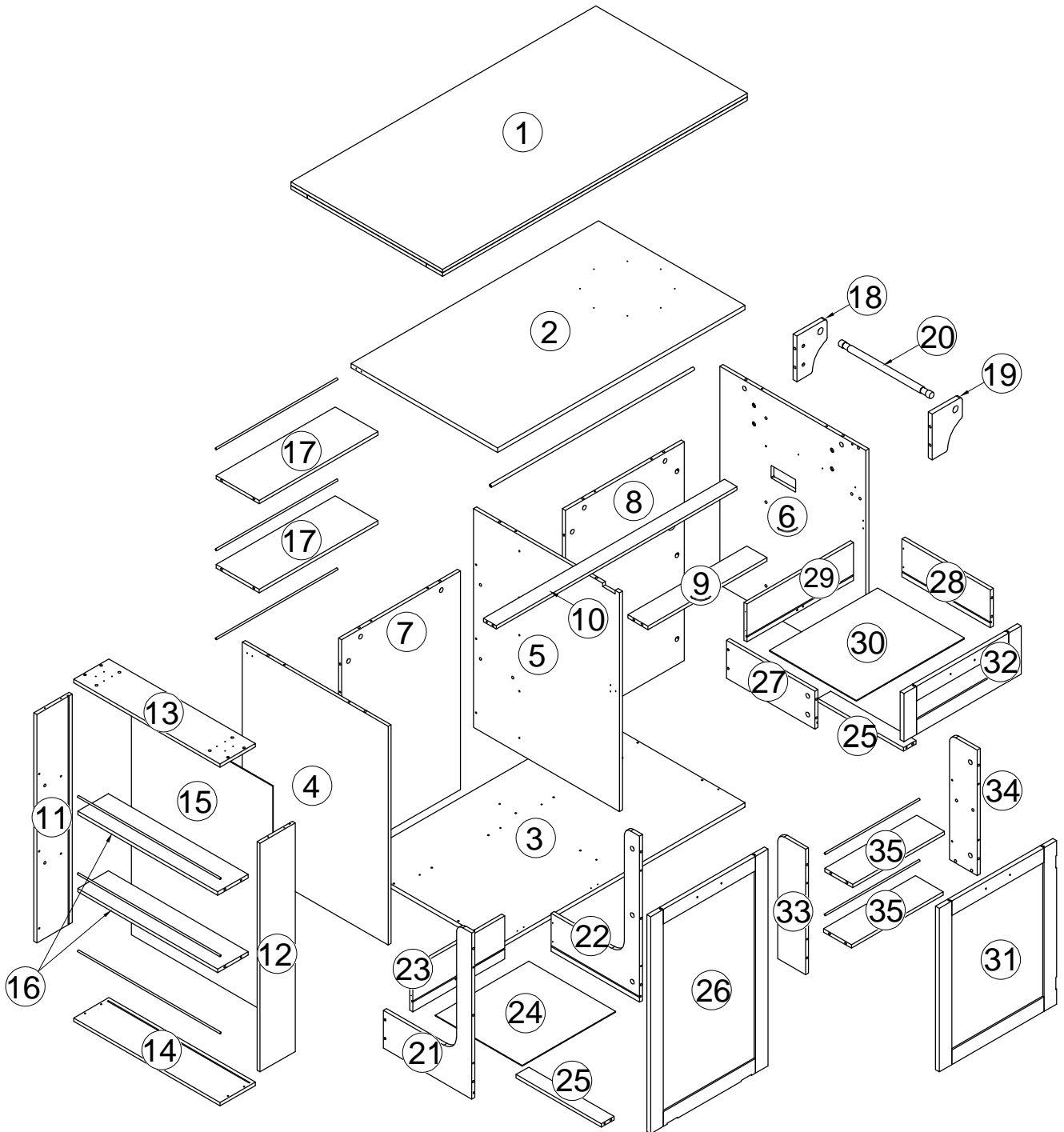
## Important reminder:

- ⚠ Please sort and check all accessories before assembly.
- ⚠ Place the product on an empty cardboard box or on carpet to prevent scratches.
- ⚠ Please use proper tools for assembly. Using an electric screwdriver can accelerate the assembly speed, but please do not overtighten the screws.
- ⚠ Please follow the assembly steps and do not skip any of them.
- ⚠ If possible, please find a partner to help you with assembly, which can accelerate assembly.
- ⚠ Keep all small parts of this product away from children. They may cause serious injury.
- ⚠ We hope you can retighten the screws 2 weeks after assembly, and check the tightening procedure of the screws every 3 months.  
If you meet any difficulty, our friendly customer team are always ready to help you.

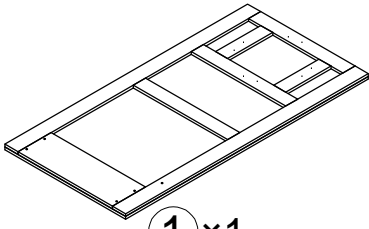


Warning: Overturning the product can cause serious crushing injuries. We have a wall connection device attached, please use it to hold the furniture following assembly instructions. Do not change the structure of this product in any way. Our products have been tested and meet any 1 sales specific security measures. We won't be responsible for any modifications, which may cause significant security risks.

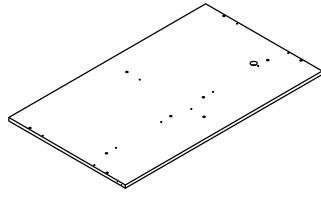
# Explosion Diagram



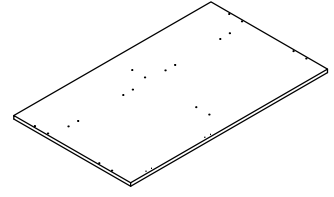
# Parts List



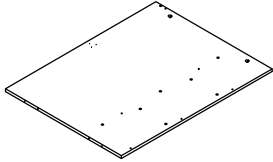
①×1



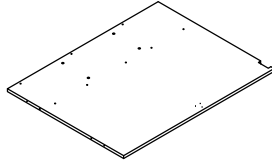
②×1



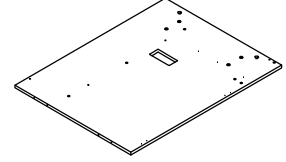
③×1



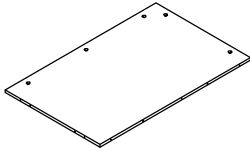
④×1



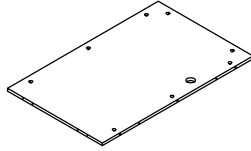
⑤×1



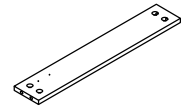
⑥×1



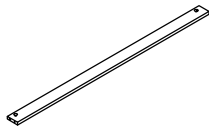
⑦×1



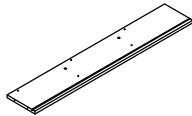
⑧×1



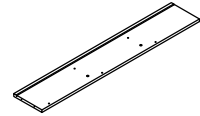
⑨×1



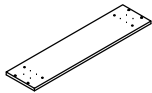
⑩×1



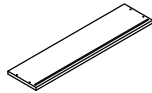
⑪×1



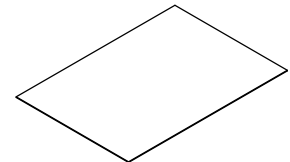
⑫×1



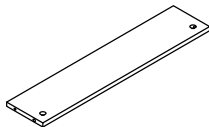
⑬×1



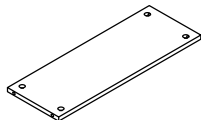
⑭×1



⑮×1



⑯×2



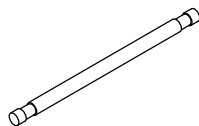
⑰×2



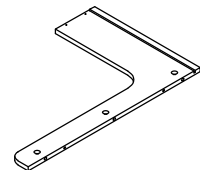
⑱×1



⑲×1

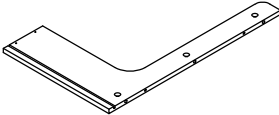


⑳×1

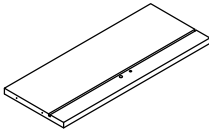


㉑×1

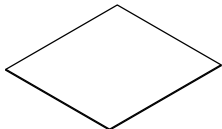
# Parts List



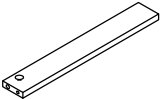
22×1



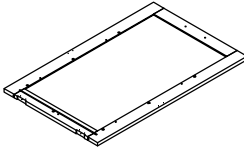
23×1



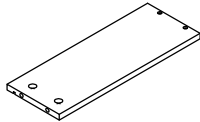
24×1



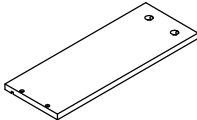
25×2



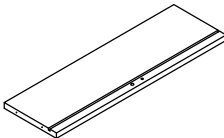
26×1



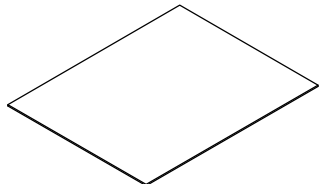
27×1



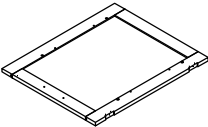
28×1



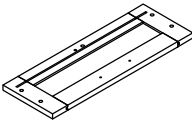
29×1



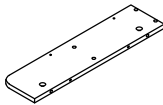
30×1



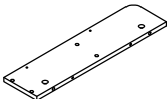
31×1



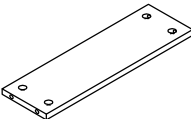
32×1



33×1

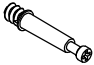









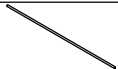





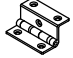

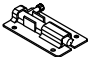


34×1



35×2

## Hardware List

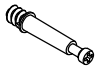

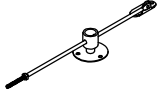

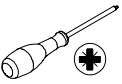
| No. | Code | Diagram   | Description | Quantity | Spare |
|-----|------|---|-------------|----------|-------|
| 1   | A1   |    |             | 61       | 3     |
| 2   | A2   |    |             | 61       | 3     |
| 3   | B1   |    |             | 54       | 3     |
| 4   | B2   |    |             | 27       | 3     |
| 5   | B3   |    |             | 4        |       |
| 6   | B4   |    |             | 4        |       |
| 7   | B5   |    |             | 30       | 3     |
| 8   | B6   |    |             | 8        | 2     |
| 9   | B7   |   |             | 4        |       |
| 10  | C1   |  |             | 45       | 3     |
| 11  | C2   |  |             | 4        |       |
| 12  | C3   |  |             | 3        |       |
| 13  | C4   |  |             | 2        |       |
| 14  | C5   |  |             | 1        |       |
| 15  | C6   |  |             | 3        |       |
| 16  | C7   |  |             | 2        |       |
| 17  | C8   |  |             | 4        |       |
| 18  | C9   |  |             | 2        |       |
| 19  | C10  |  |             | 1        |       |

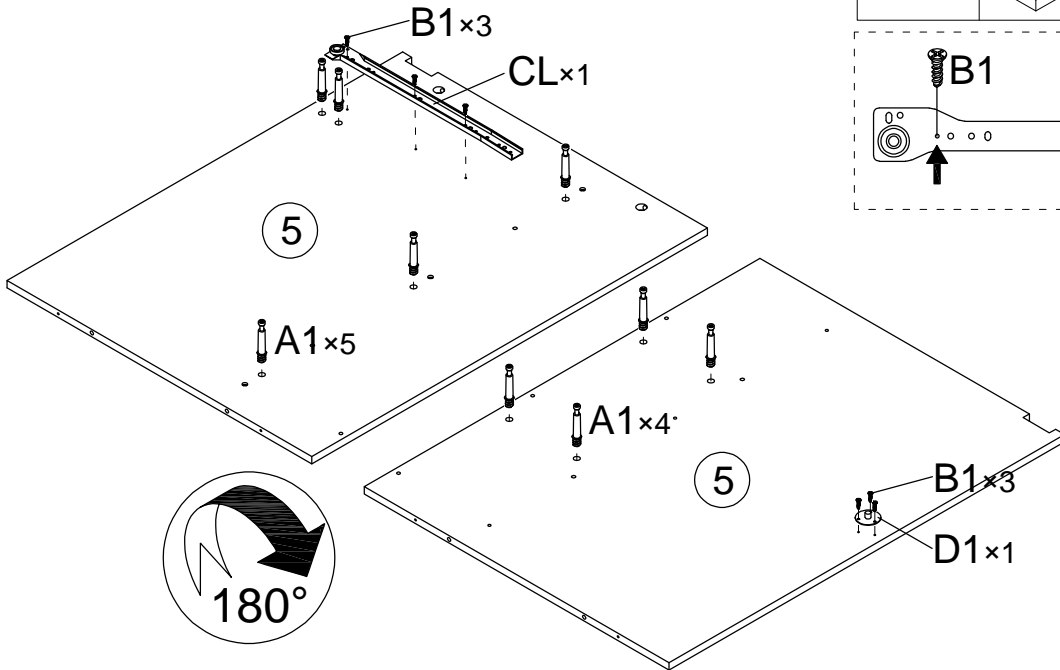
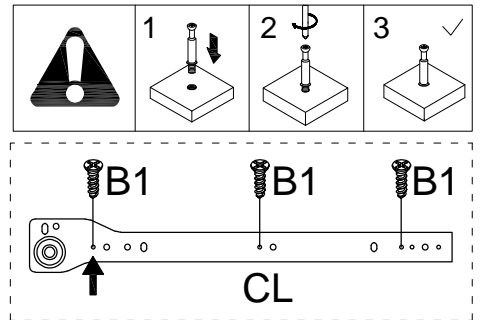
THE SPARE BAG INCLUDED EXTRA HARDWARE FOR DAMAGED OR MISSING SMALL HARDWARE WHILE YOU ARE ASSEMBLING



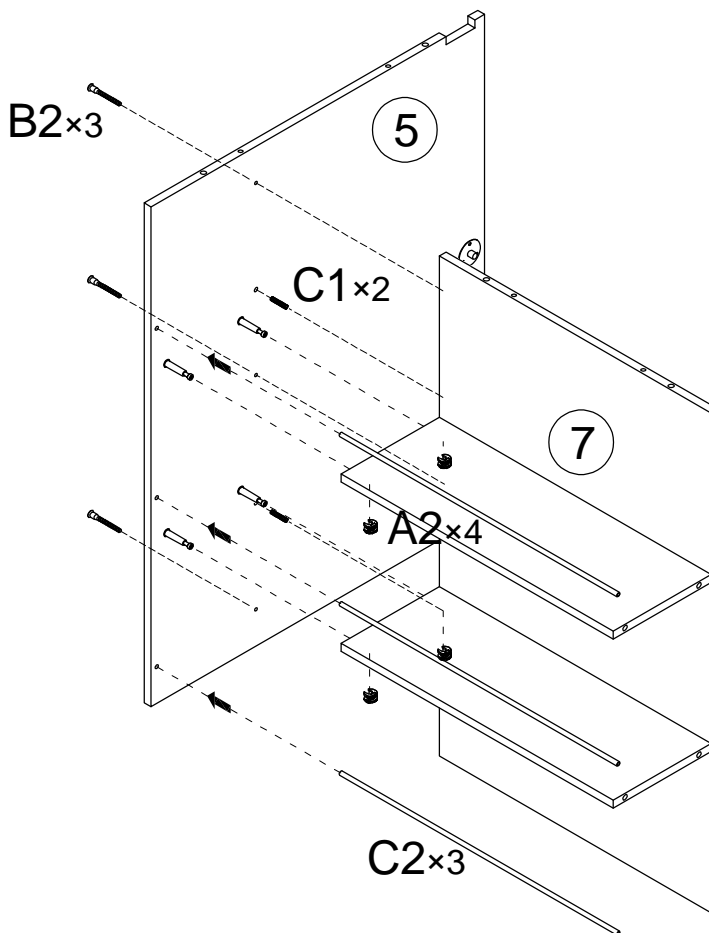
# Assemble

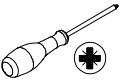



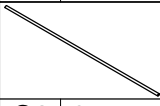
## Step 1

|   |   |  |   |   |
|---|---|--|---|---|
|  |  |  |  |  |
| A1 9 PCS  | B1 6 PCS  | D1 1 PCS   | CL 1 PCS  |   |



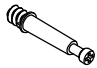

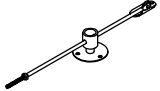
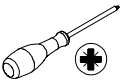
## Step 2

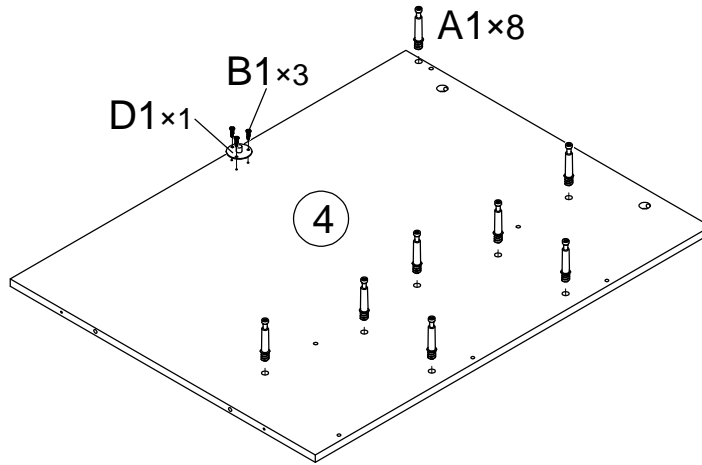
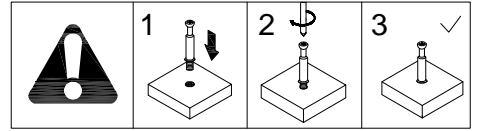


|   |  |
|---|--|
|  |  |
|  |  |
| B2 3 PCS  |  |
|  |  |
| A2 4 PCS  |  |
|  |  |
| C1 2 PCS  |  |
|  |  |
| C2 3 PCS  |  |



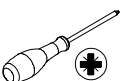
# Assemble

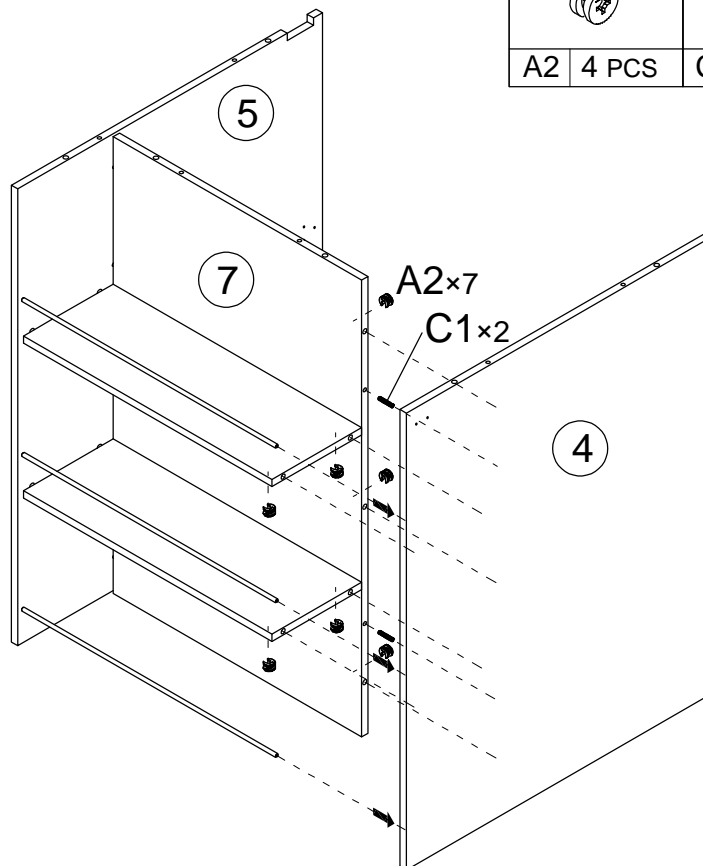
## Step 3

|   |   |   |   |
|---|---|---|---|
|  |  |  |  |
| A1 8 PCS  | B1 3 PCS  | D1 1 PCS  |   |





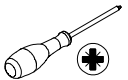
## Step 4

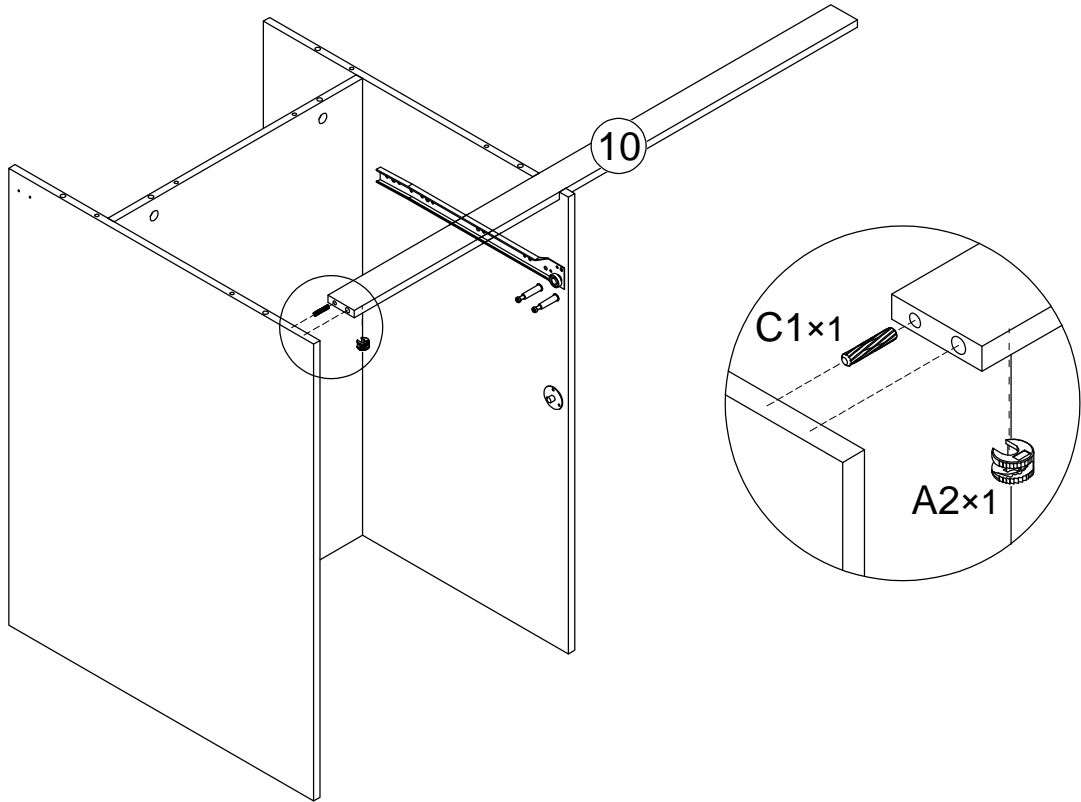
|   |   |   |
|---|---|---|
|  |  |  |
| A2 4 PCS  | C1 2 PCS  |   |



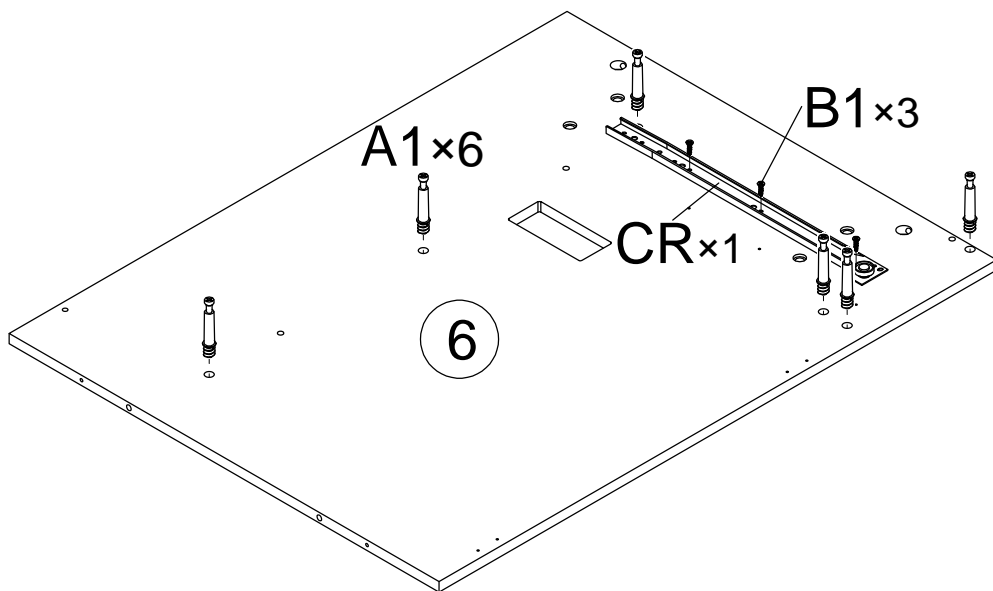
# Assemble




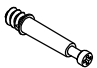
Step 5

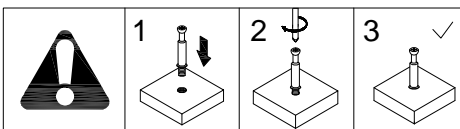
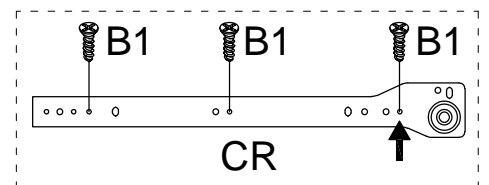
|   |   |   |
|---|---|---|
|  |  |  |
| A2 1 PCS  | C1 1 PCS  |   |



Step 6




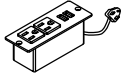
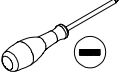


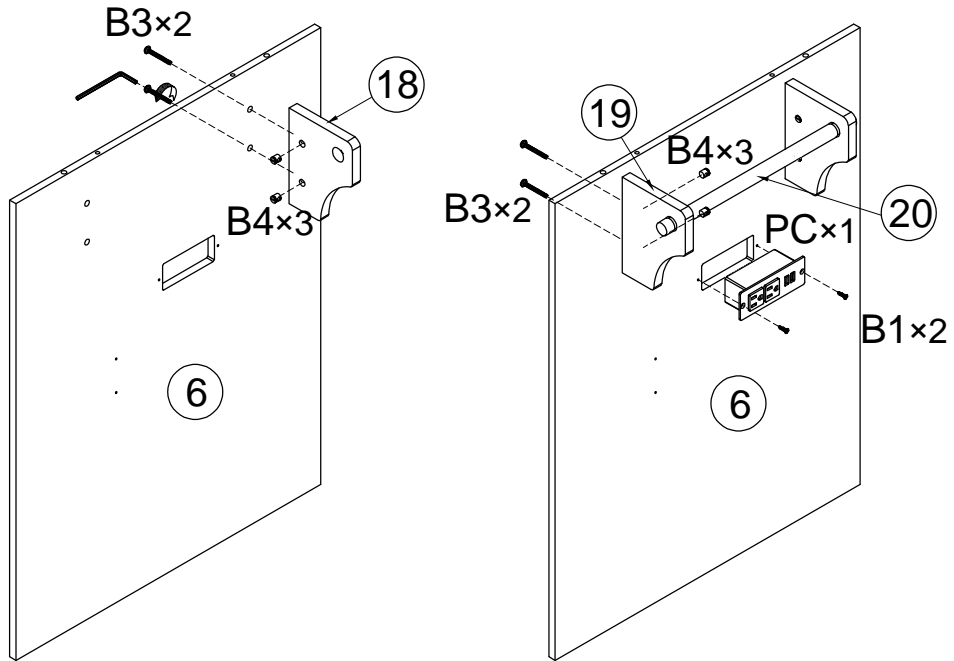
|   |  |
|---|--|
|  |  |
|  |  |
| CR 1 PCS  |  |
|  |  |
| B1 3 PCS  |  |
|  |  |
| A1 6 PCS  |  |



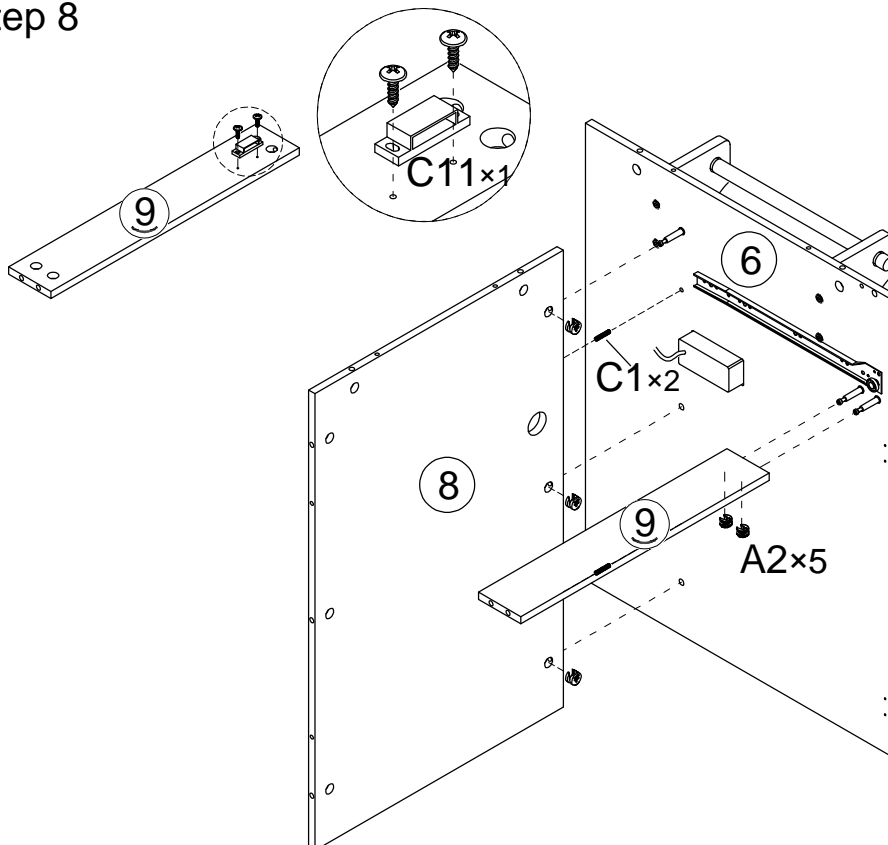
# Assemble

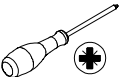


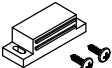
## Step 7

|   |   |   |   |   |
|---|---|---|---|---|
|  |  |  |  |  |
| B3 4 PCS  | B4 4 PCS  | B1 2 PCS  | PC 1 PCS  |   |



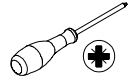
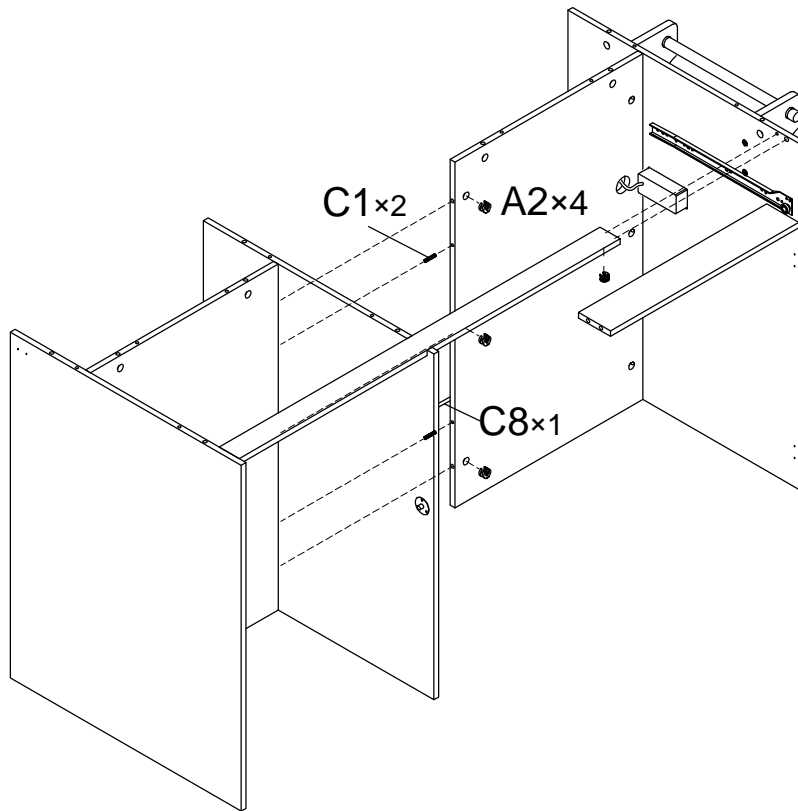
## Step 8



|   |   |
|---|---|
|  |  |
| A2 5 PCS  |   |
|  |   |
| C1 2 PCS  |   |
|  |   |
| C11 1 PCS   |   |

# Assemble

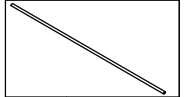
## Step 9



A2 5 PCS

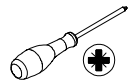
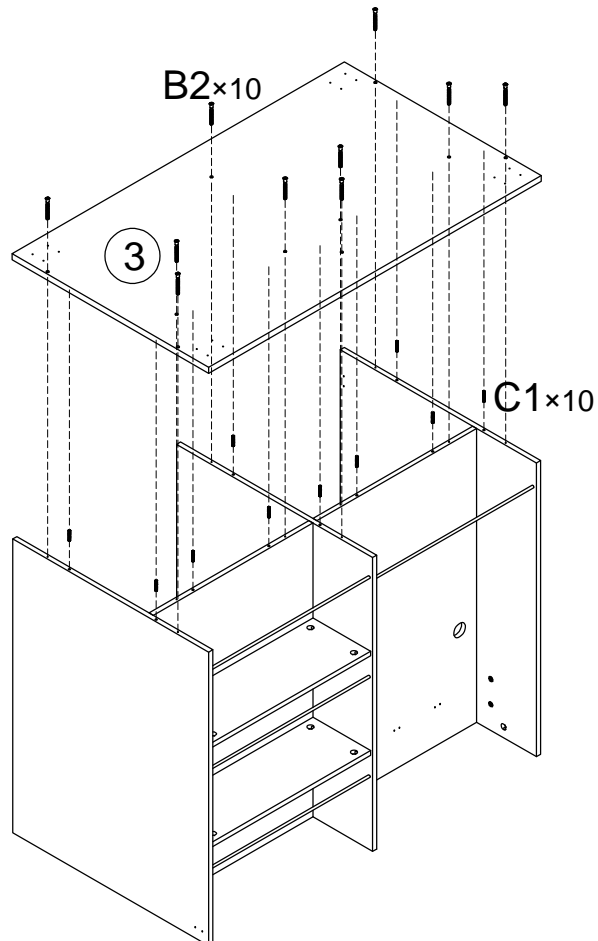


C1 2 PCS



C8 1 PCS

## Step 10



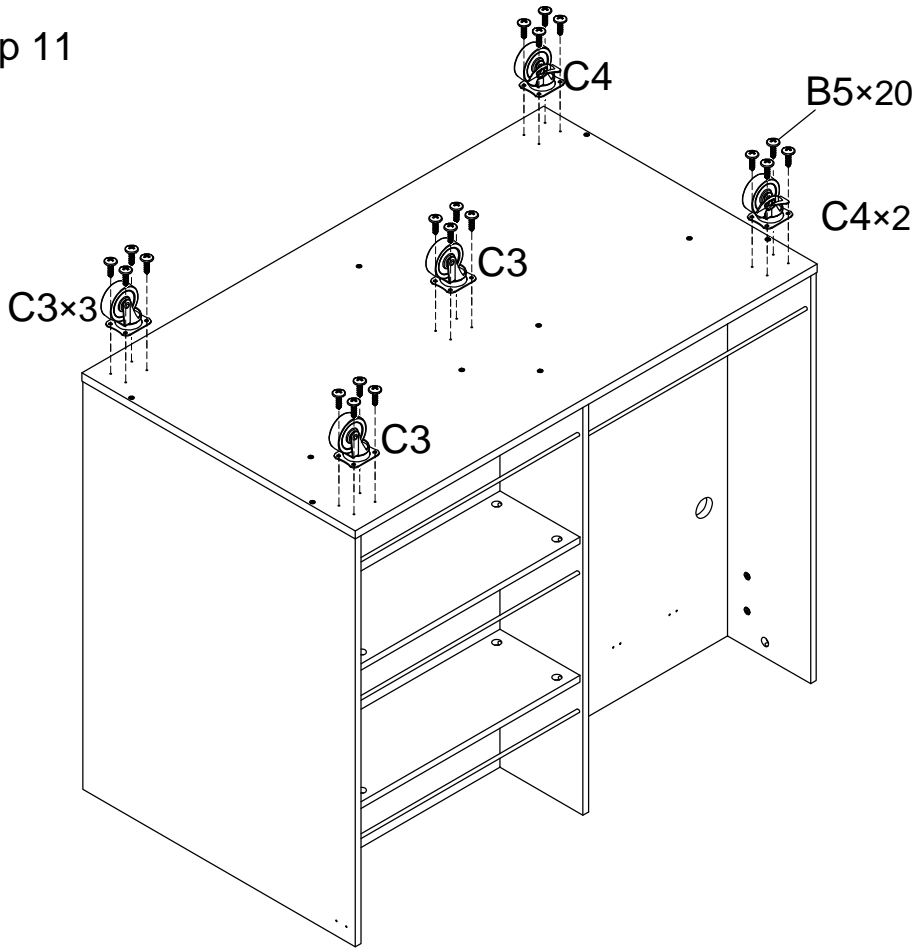
C1 10 PCS



B2 10 PCS

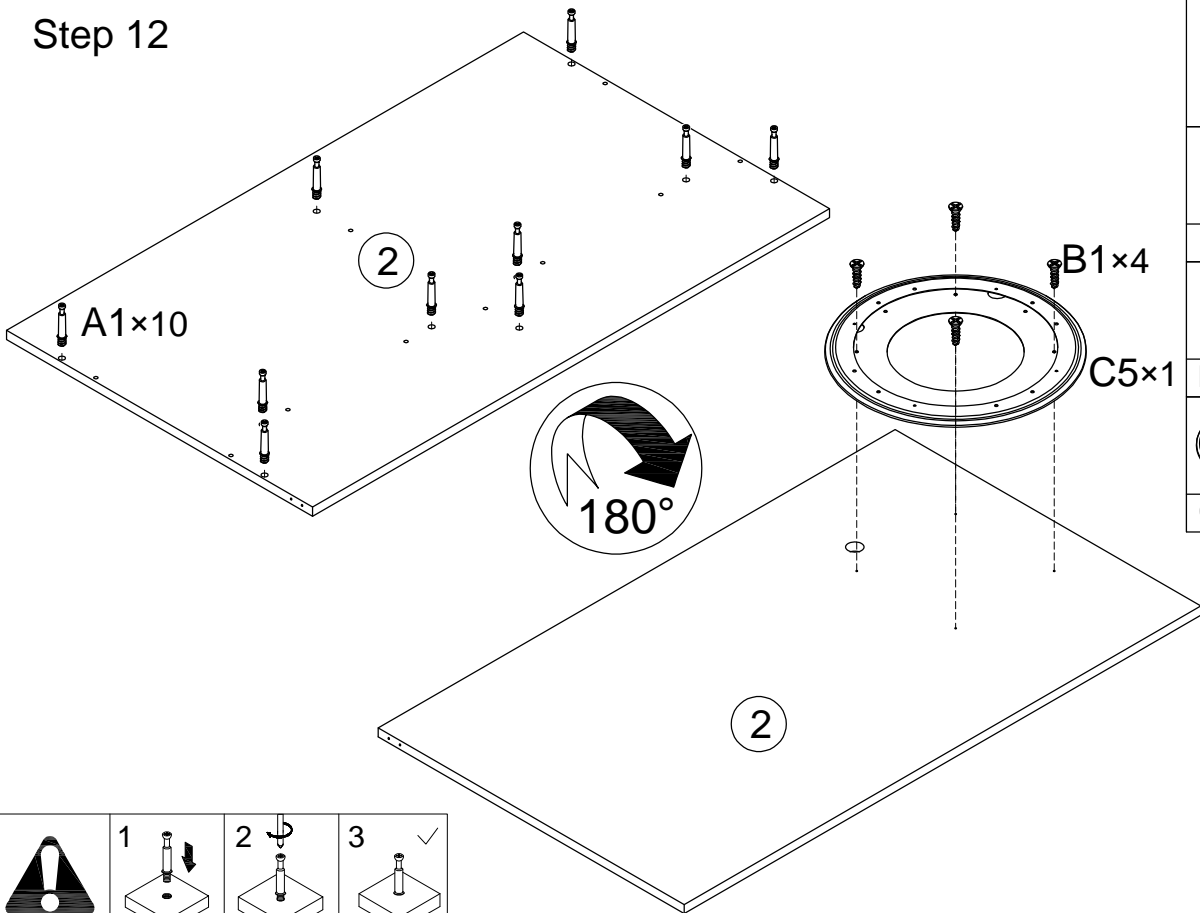
# Assemble

Step 11

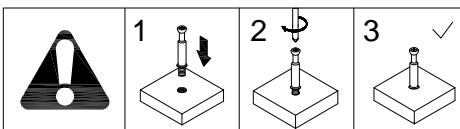


|    |        |
|----|--------|
|    |        |
|    |        |
| B5 | 20 PCS |
|    |        |
| C3 | 3 PCS  |
|    |        |
| C4 | 2 PCS  |

Step 12

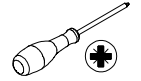
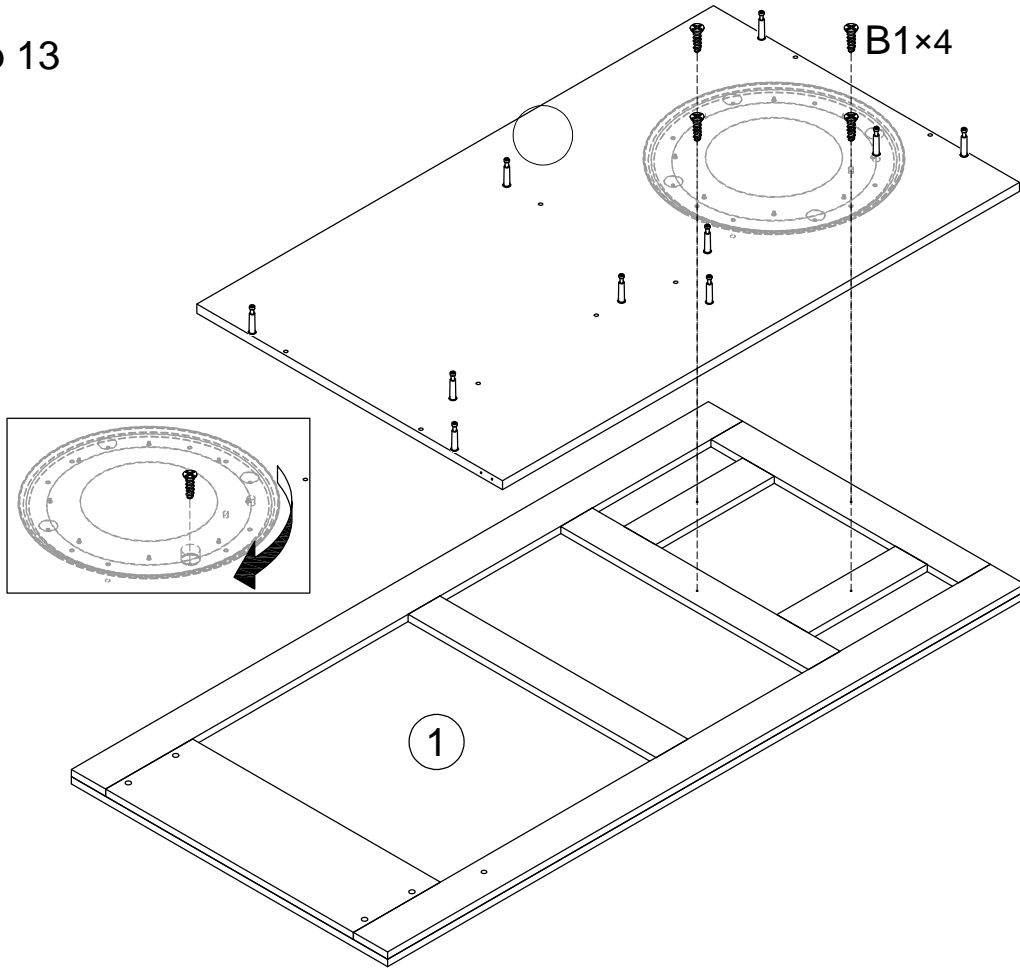


|    |        |
|----|--------|
|    |        |
|    |        |
| A1 | 10 PCS |
|    |        |
| B1 | 4 PCS  |
|    |        |
| C5 | 1 PCS  |



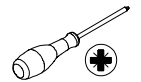
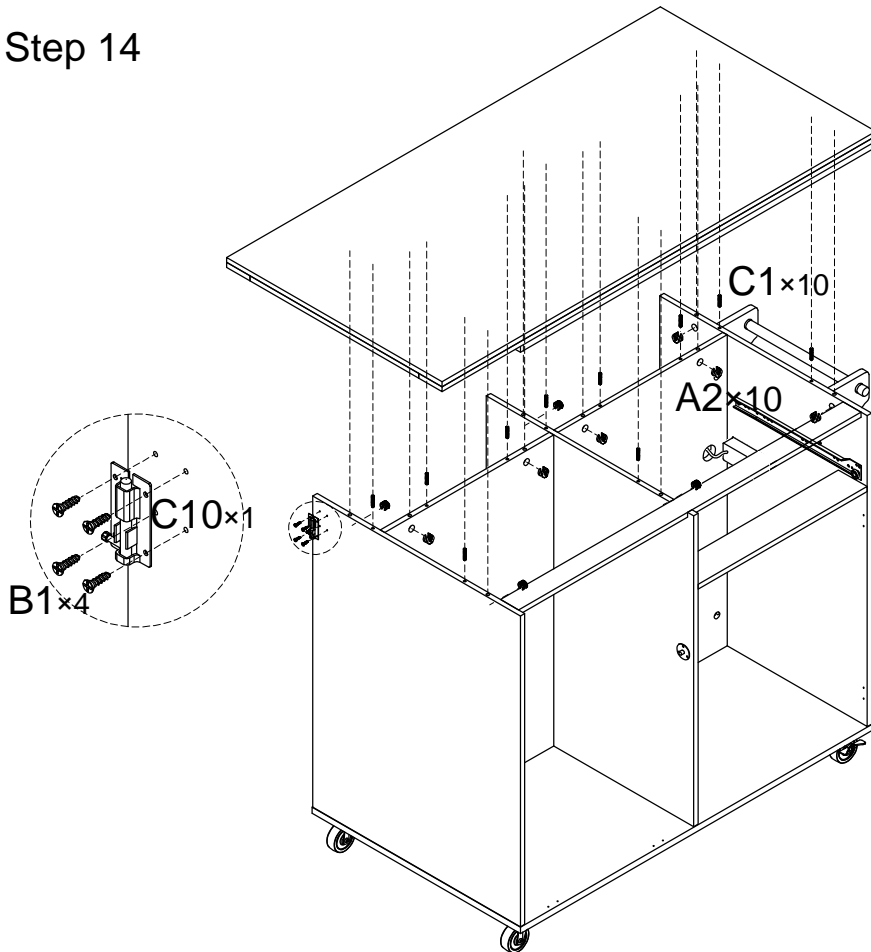
# Assemble

Step 13



B1 4 PCS

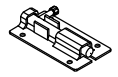
Step 14



C1 10 PCS



A2 10 PCS



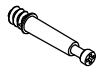
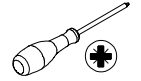
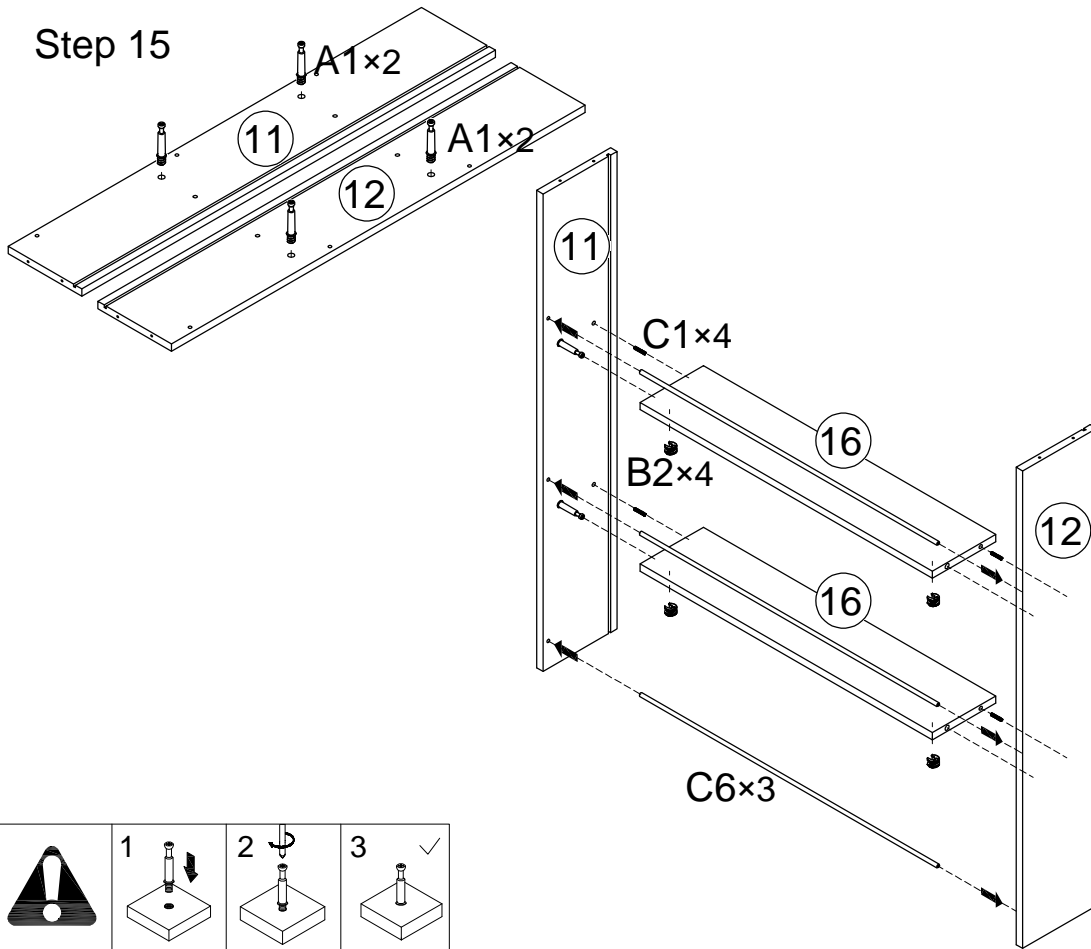
C10 1 PCS



B1 4 PCS

# Assemble

Step 15



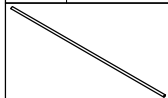
A1 4 PCS



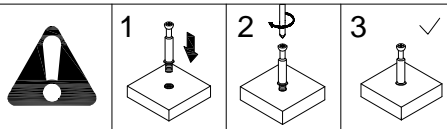
A2 4 PCS



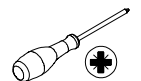
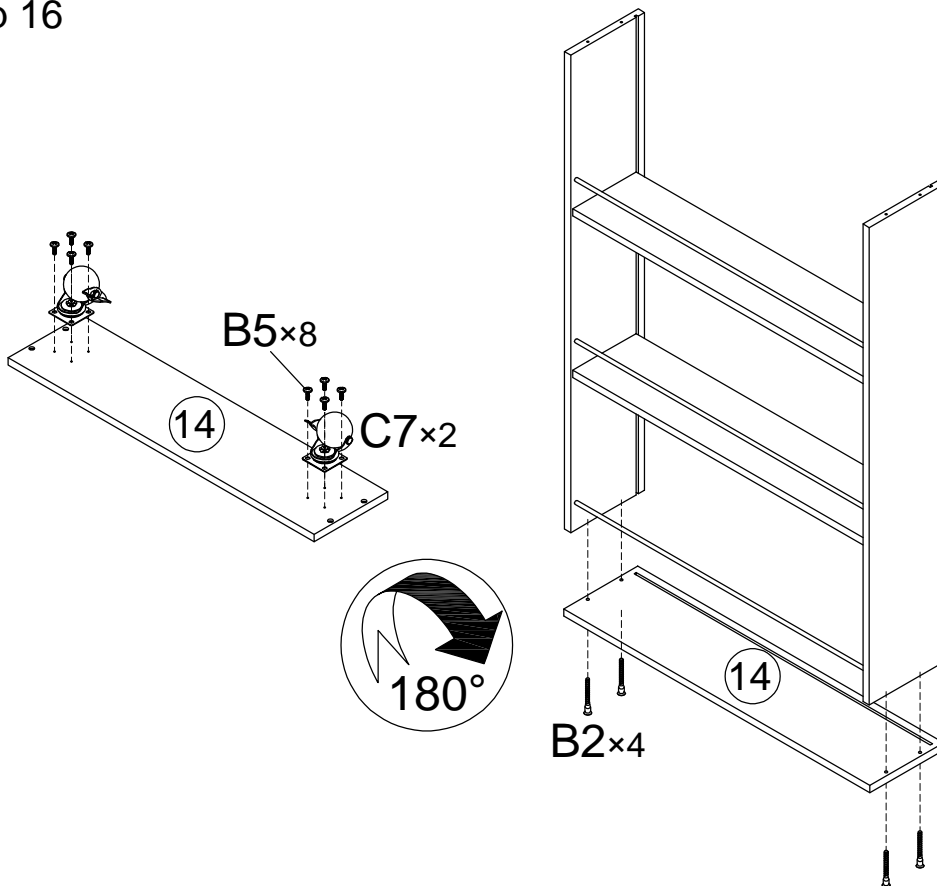
C1 4 PCS



C6 3 PCS



Step 16



B5 8 PCS



C7 2 PCS

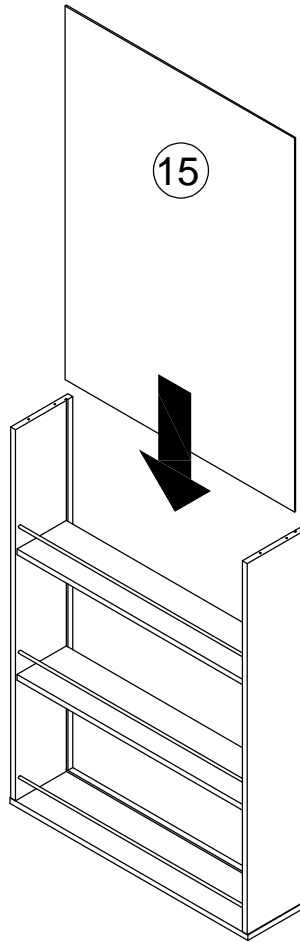


B2 4 PCS

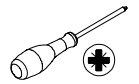
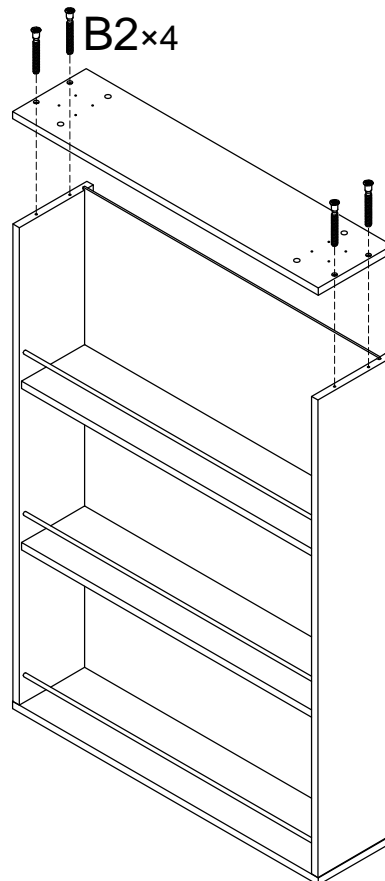


# Assemble

Step 17



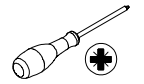
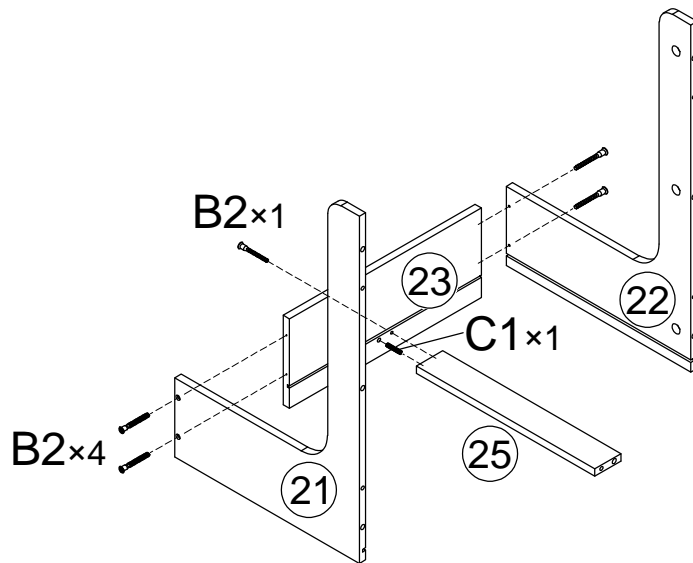
Step 18



B2 4 PCS

# Assemble

Step 19

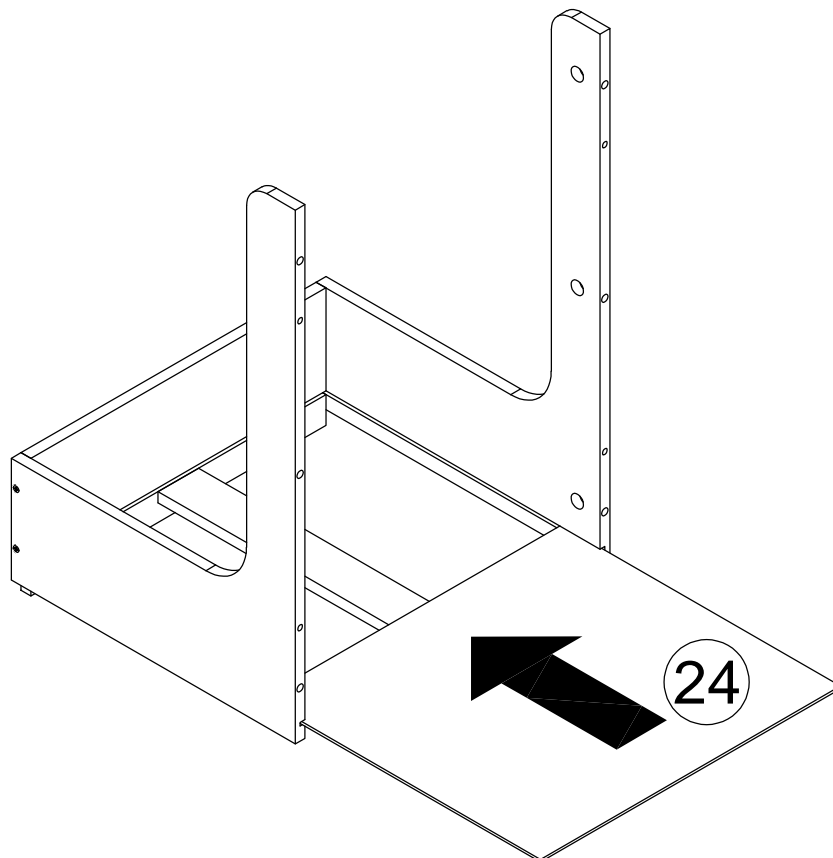


B2 5 PCS



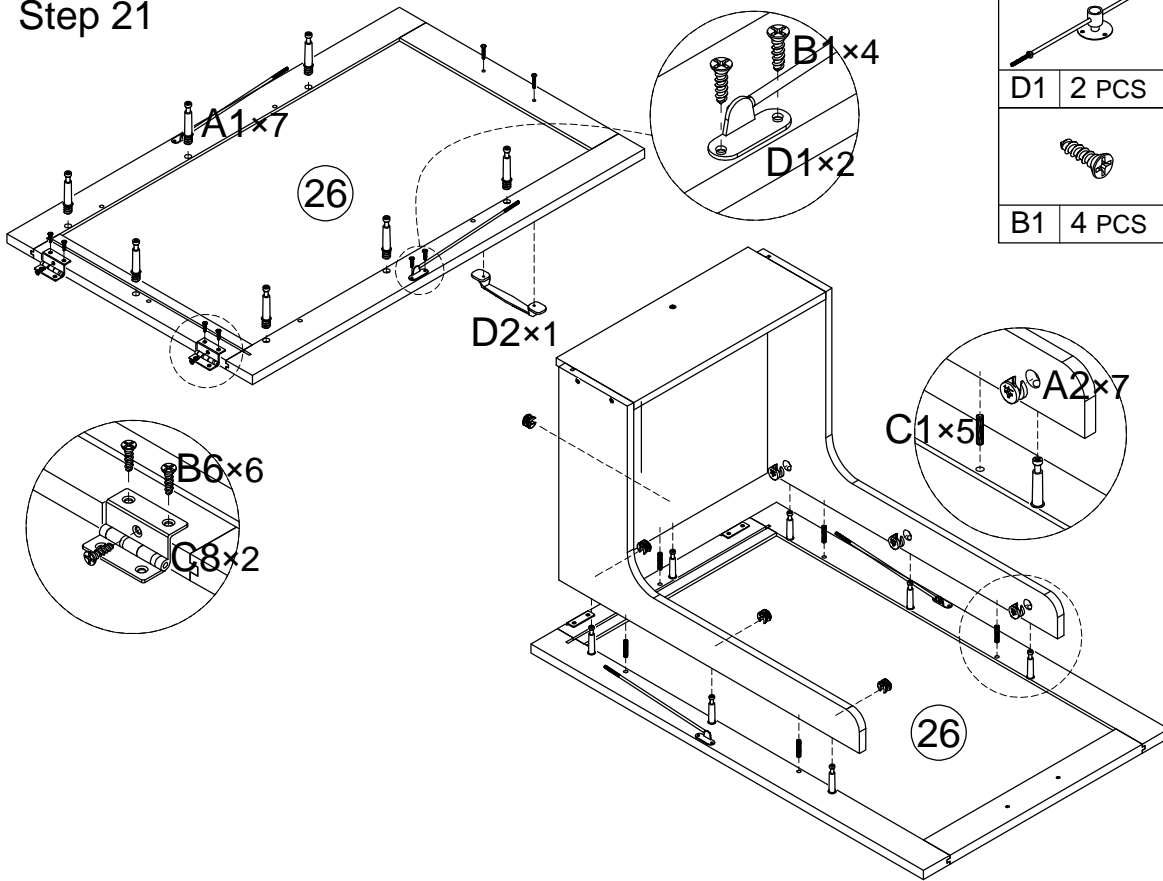
C1 1 PCS

Step 20



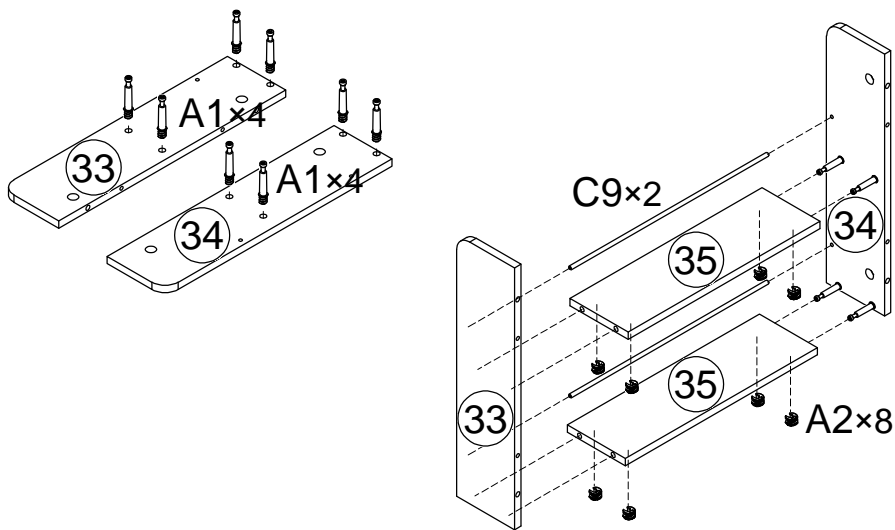
# Assemble

## Step 21



|  |    |       |  |
|--|----|-------|--|
|  | D1 | 2 PCS |  |
|  | B1 | 4 PCS |  |
|  | A1 | 7 PCS |  |
|  | A2 | 7 PCS |  |
|  | C1 | 5 PCS |  |
|  | C8 | 2 PCS |  |
|  | B6 | 6 PCS |  |
|  | D2 | 1 PCS |  |

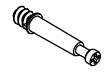
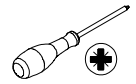
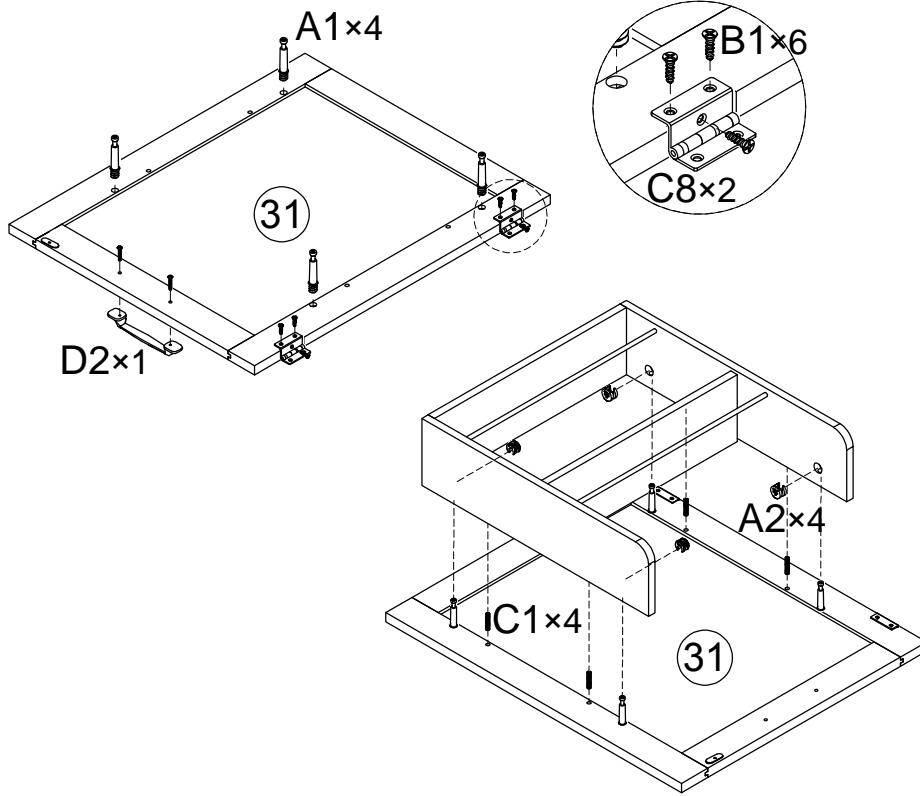
## Step 22



|  |    |       |  |
|--|----|-------|--|
|  | A1 | 8 PCS |  |
|  | A2 | 8 PCS |  |
|  | C9 | 2 PCS |  |

# Assemble

## Step 23



A1 4 PCS



A2 4 PCS



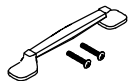
C1 4 PCS



C8 2 PCS

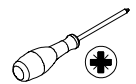
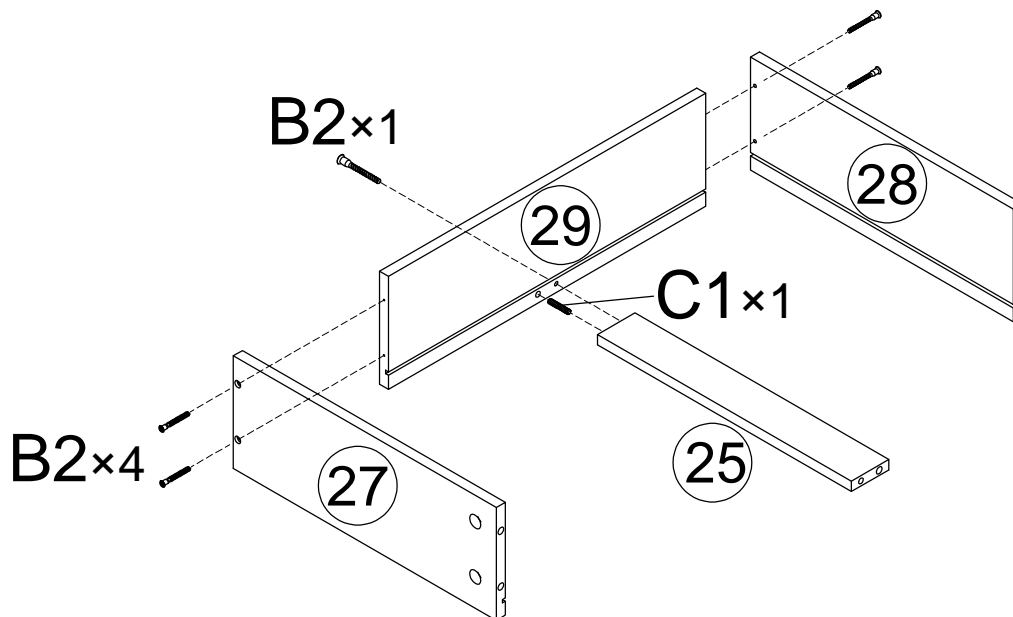


B6 6 PCS



D2 1 PCS

## Step 24



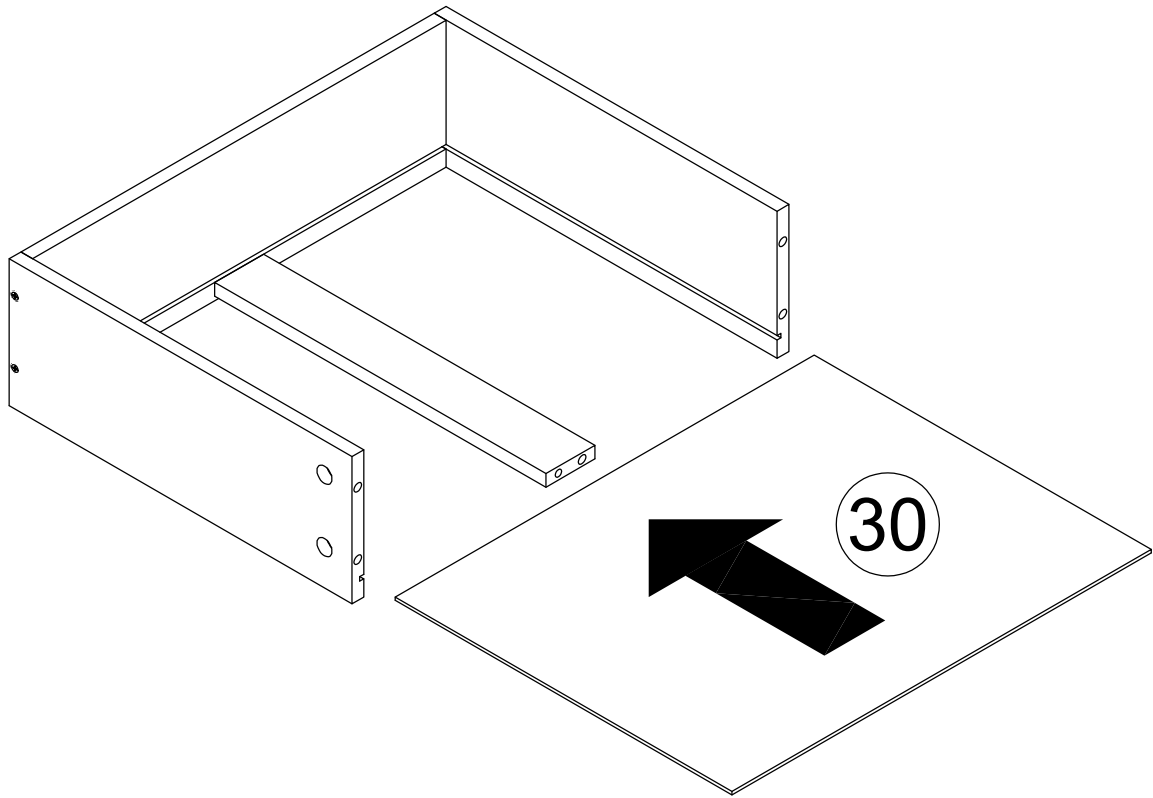
B2 5 PCS



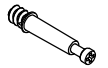
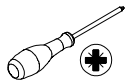
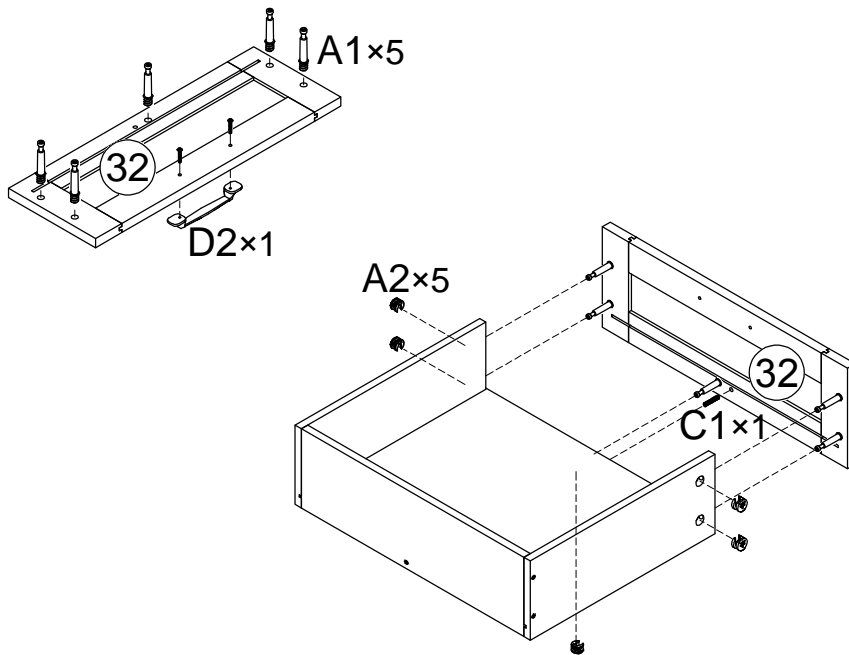
C1 1 PCS

# Assemble

## Step 25



## Step 26



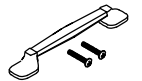
A1 | 5 PCS



A2 | 5 PCS



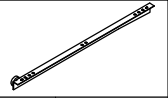
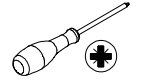
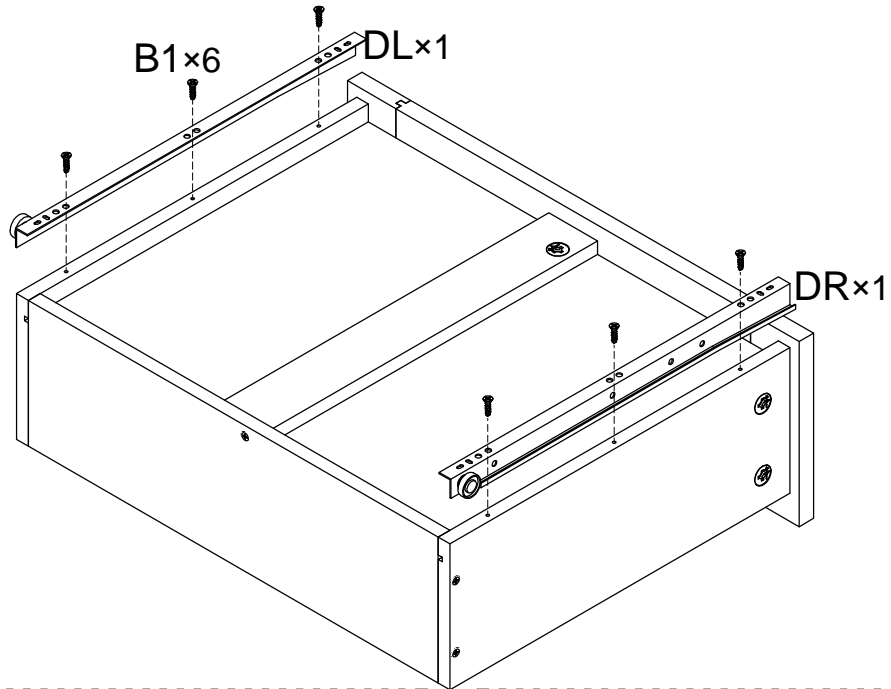
C1 | 1 PCS



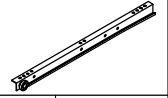
D2 | 1 PCS

# Assemble

Step 27



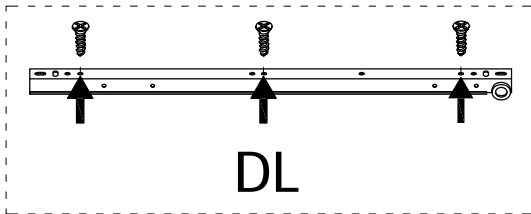
DL 1 PCS



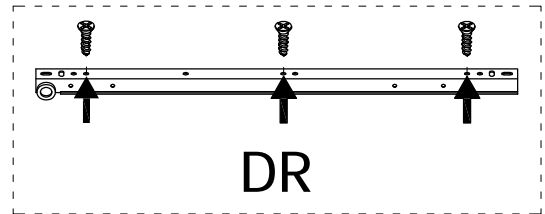
DR 1 PCS



B1 6 PCS

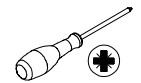
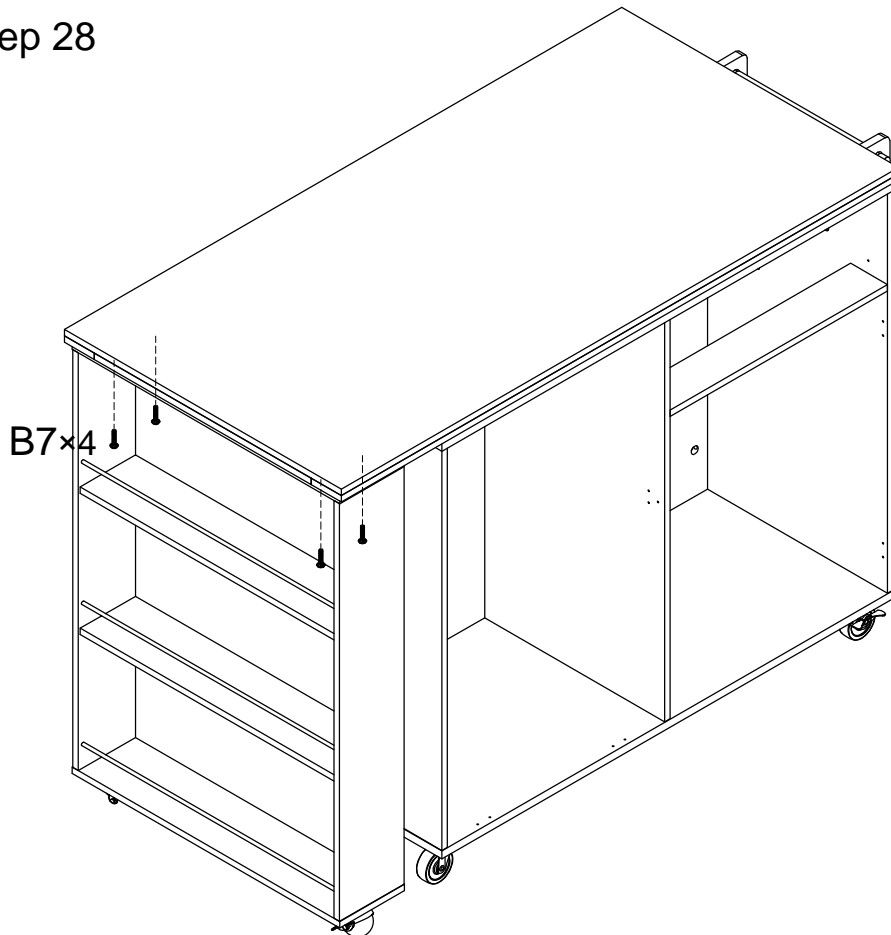


DL



DR

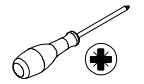
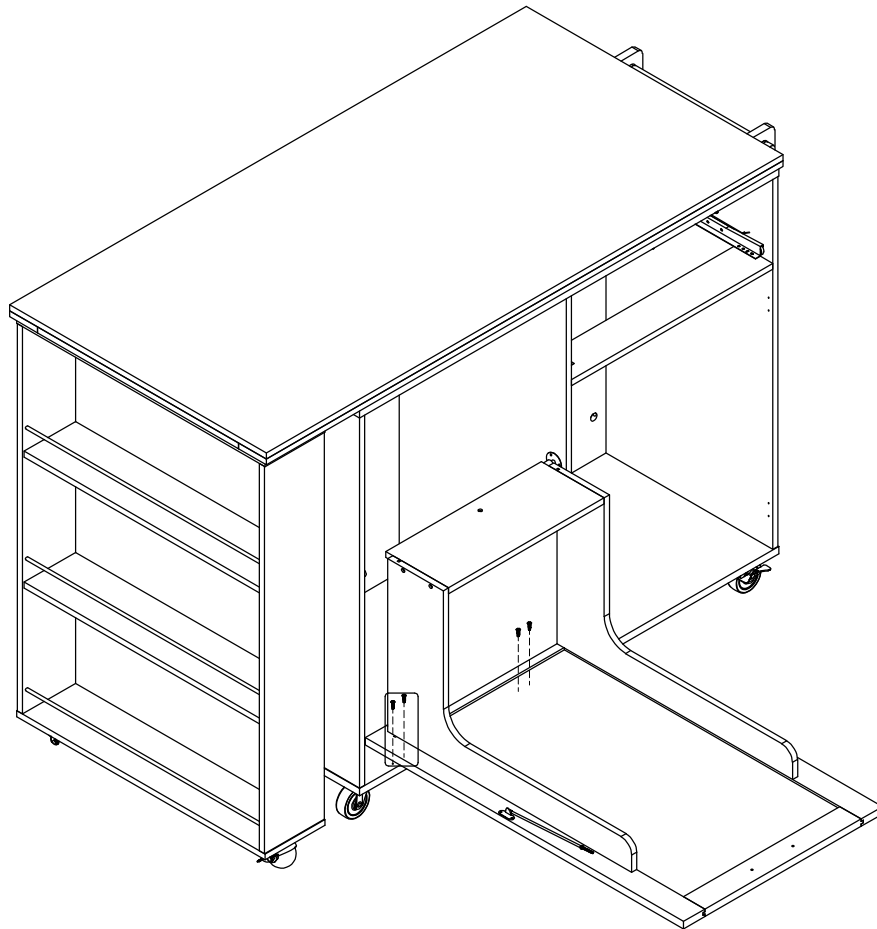
Step 28



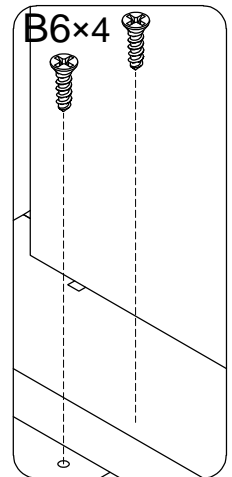
B7 4 PCS

# Assemble

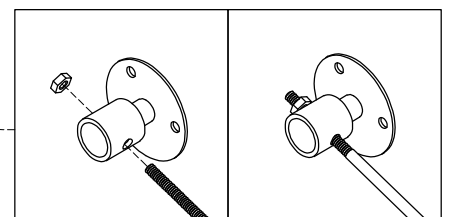
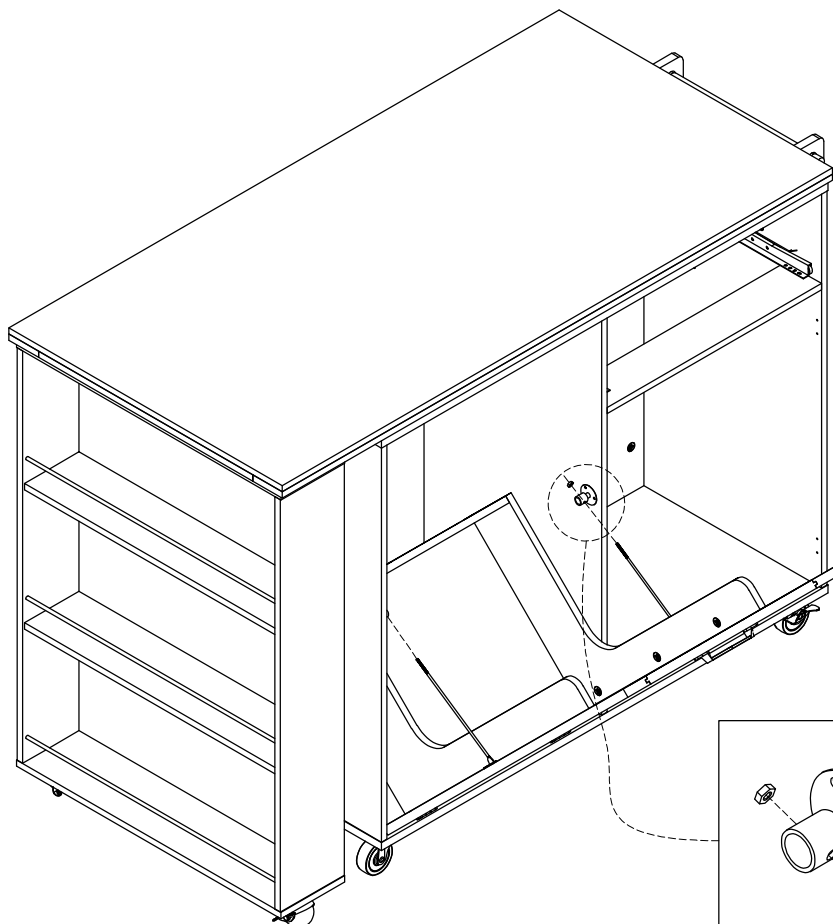
Step 29



B6 4 PCS

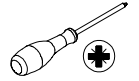
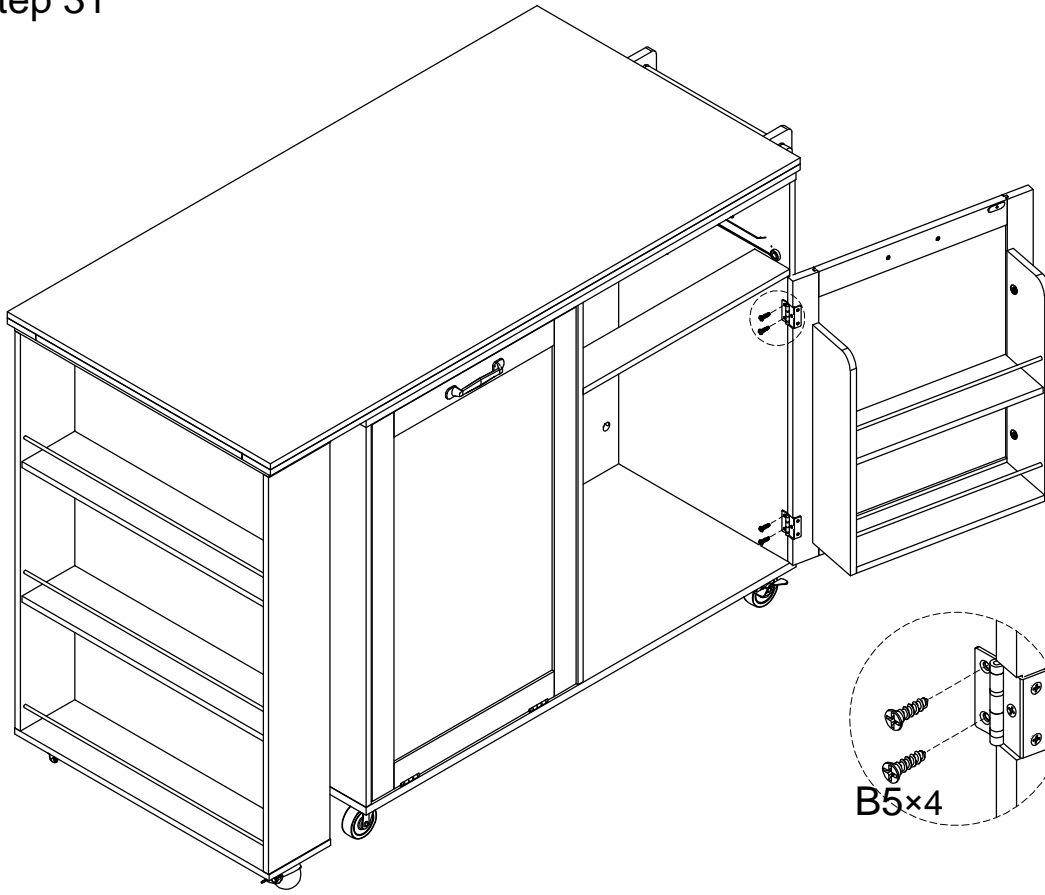


Step 30



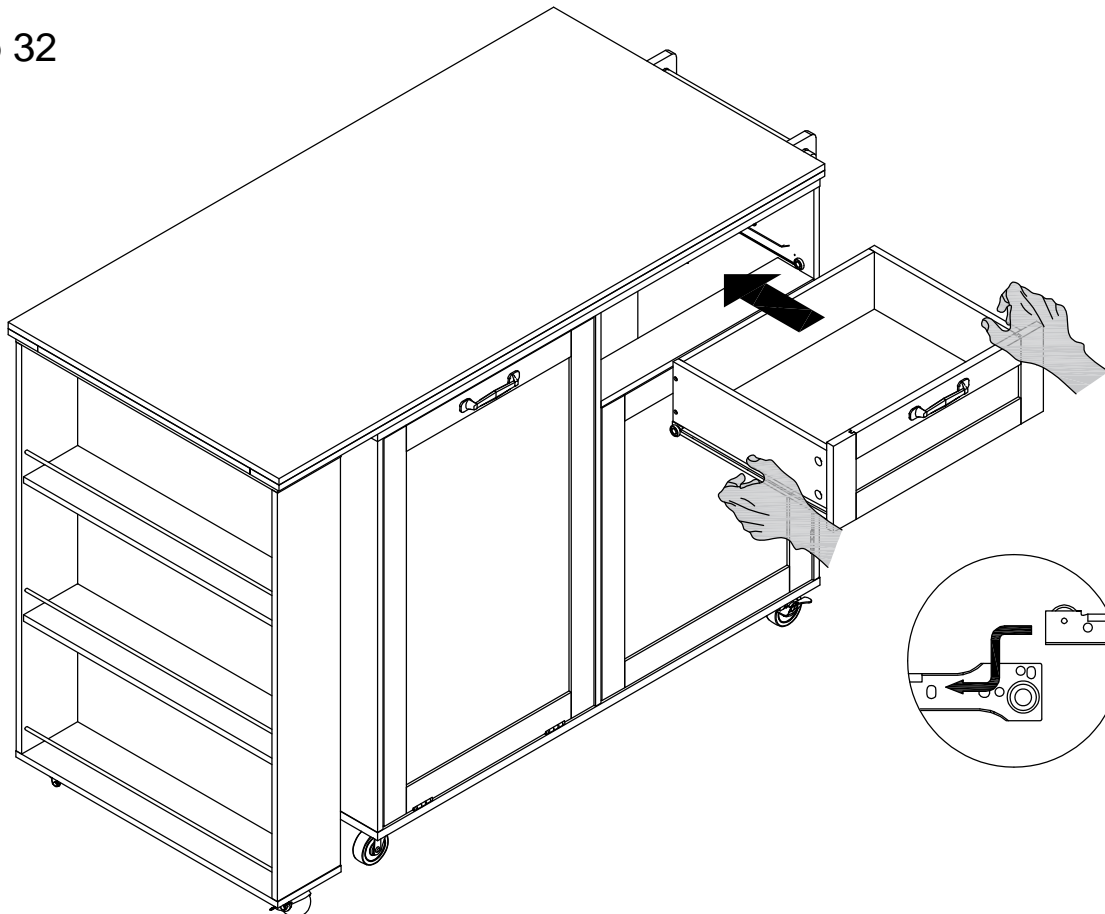
# Assemble

Step 31



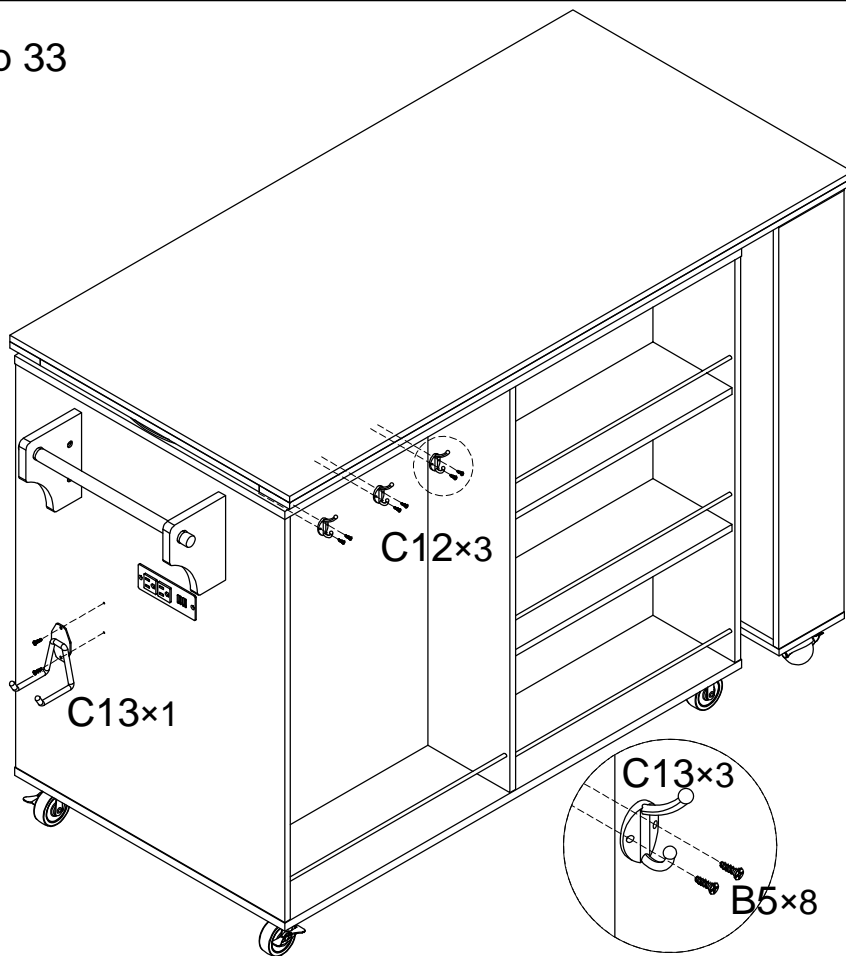
B6 4 PCS

Step 32



# Assemble

Step 33



B6 8 PCS





C12 3 PCS



C13 1 PCS



D3 20 PCS

D3x20  

In order to make the product more beautiful  
Please paste hard ware H on the exposed holes