

**INSTRUCTION MANUAL**

**Hello! Please read these important attentions...**

Please put a thick carpet on the ground to protect the furniture finish and corners. During the installation process, **DON' T** fasten screws tight 100% at a time.

## FORM FOR REPLACING MISSING OR DAMAGED PIECES.

Model # of product: \_\_\_\_\_

Ordered by: \_\_\_\_\_

Order No.: \_\_\_\_\_

Delivery date: \_\_\_\_\_

Were the boxes good when delivery to you Yes / No

Upon receiving the product, were all the parts intact Yes / No

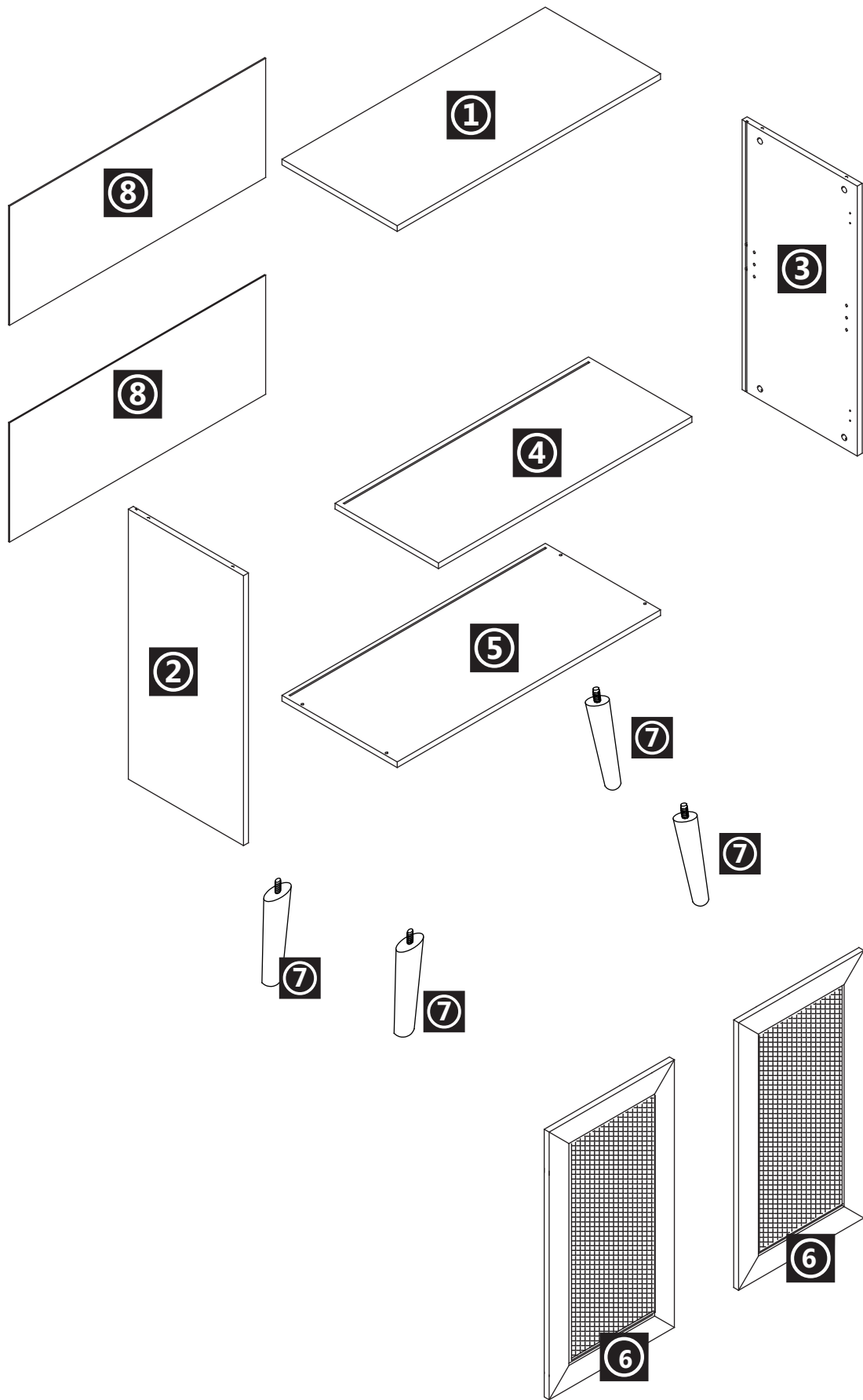
Name: \_\_\_\_\_

Address: \_\_\_\_\_  
 \_\_\_\_\_

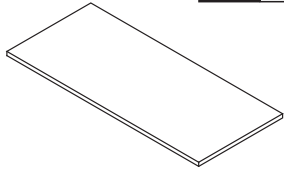
Tel: \_\_\_\_\_

**If the product is found damaged after assembly, please provide photos of the entire furniture set and all damaged areas.**

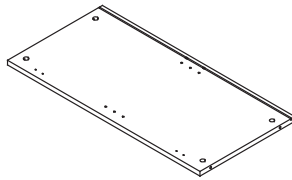
Part#	Qty	Description	Missing/Damaged
			M / D
			M / D
			M / D
			M / D



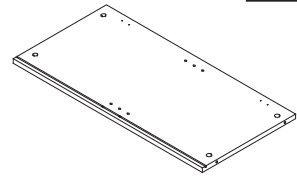
**1** x01



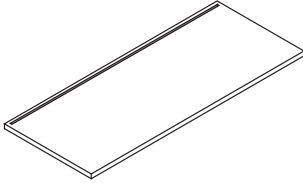
**2** x01



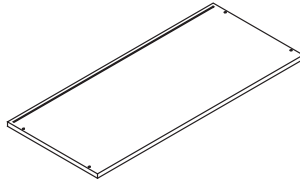
**3** x01



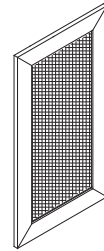
**4** x01



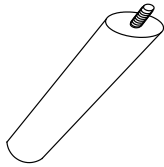
**5** x01



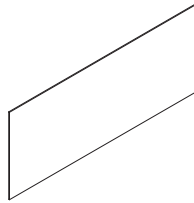
**6** x02



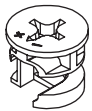
**7** x04



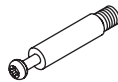
**8** x02



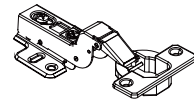
**A** x12  
M15\*12  
+1(spare)



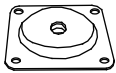
**B** x12  
M6\*40  
+1(spare)



**C** x04



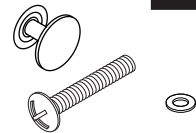
**D** x04



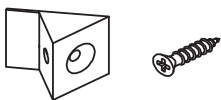
**E** x40  
M4\*14  
+1(spare)



**F** x02



**G** x08

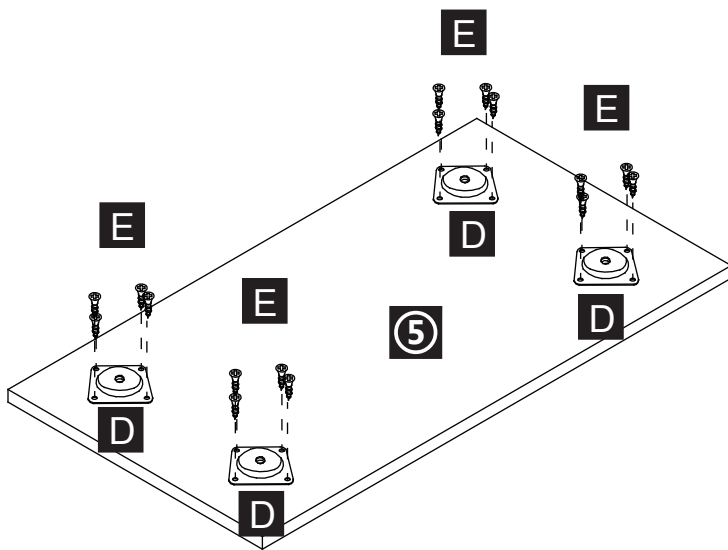


**H** x01

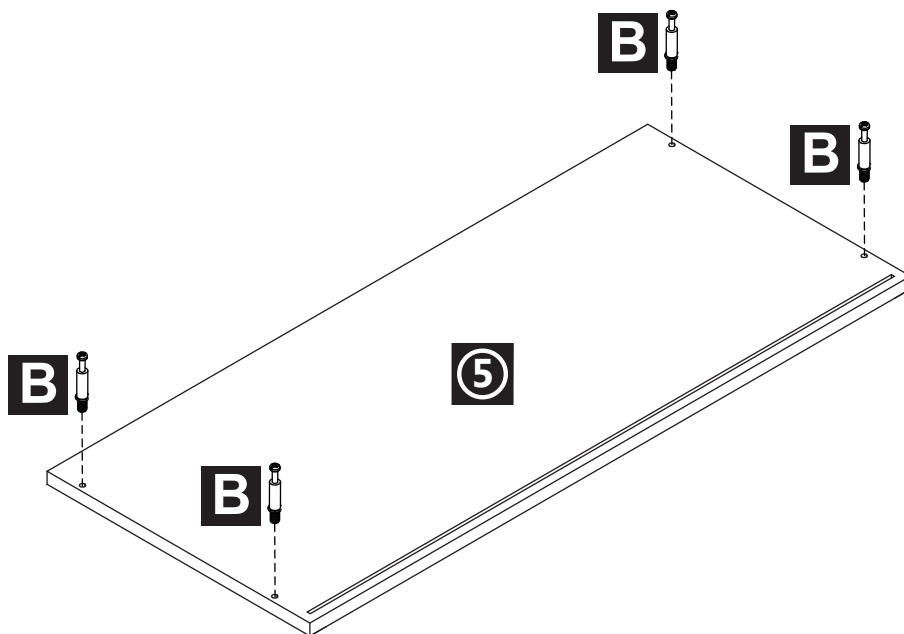


D x4

E x16

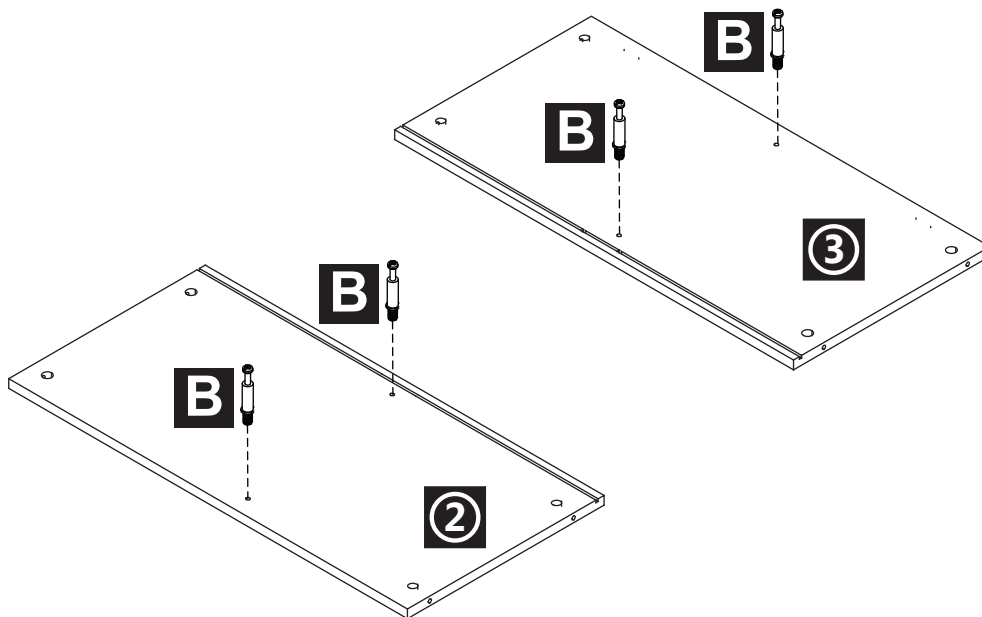


B x4



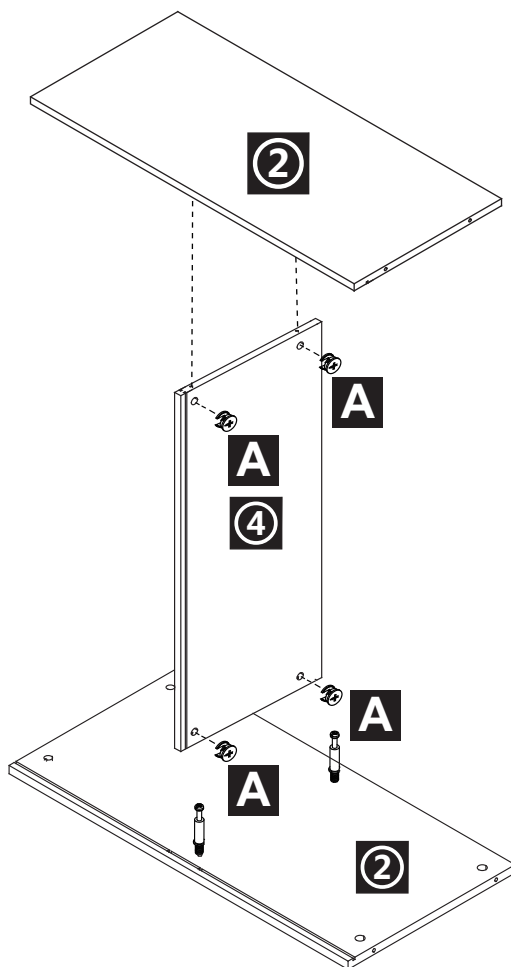
B x4

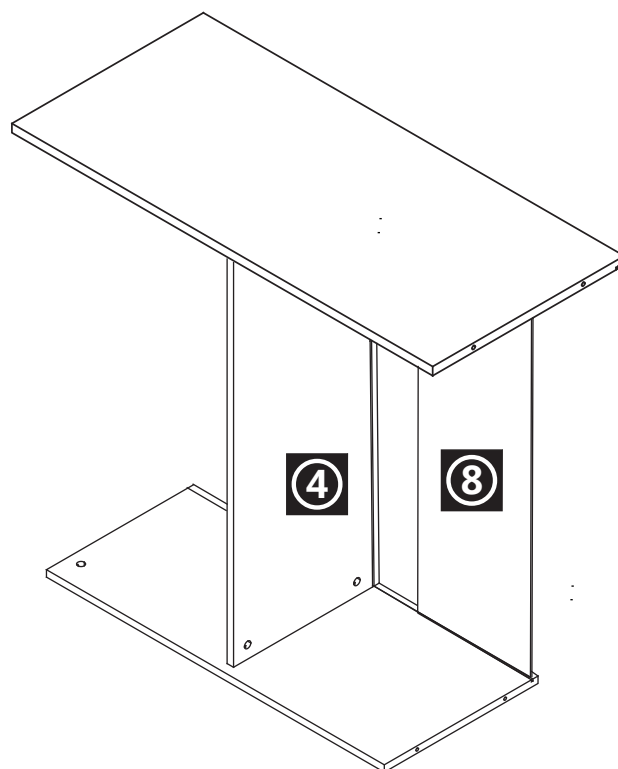
05



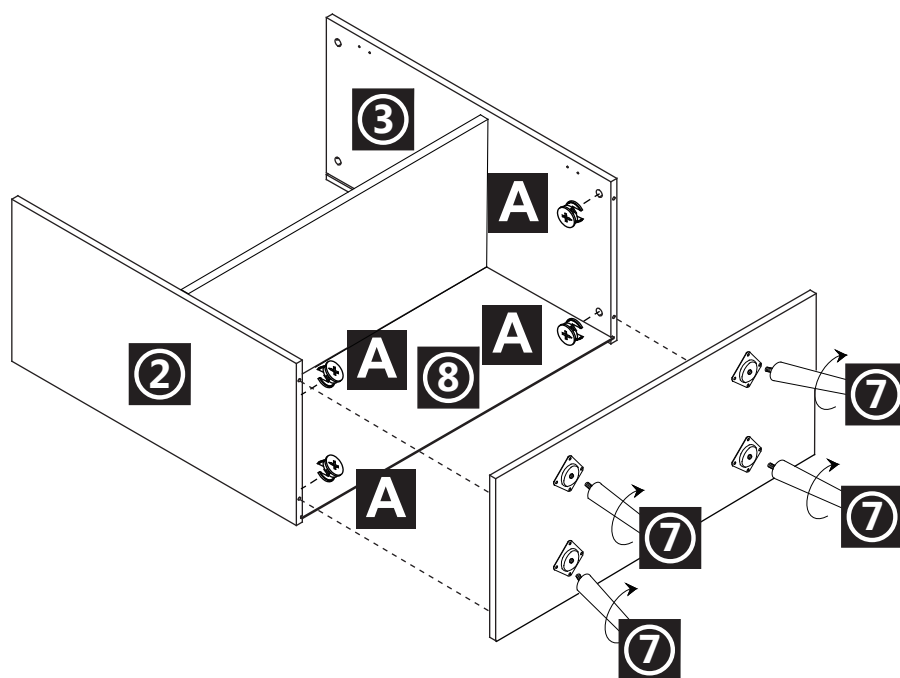
A x4

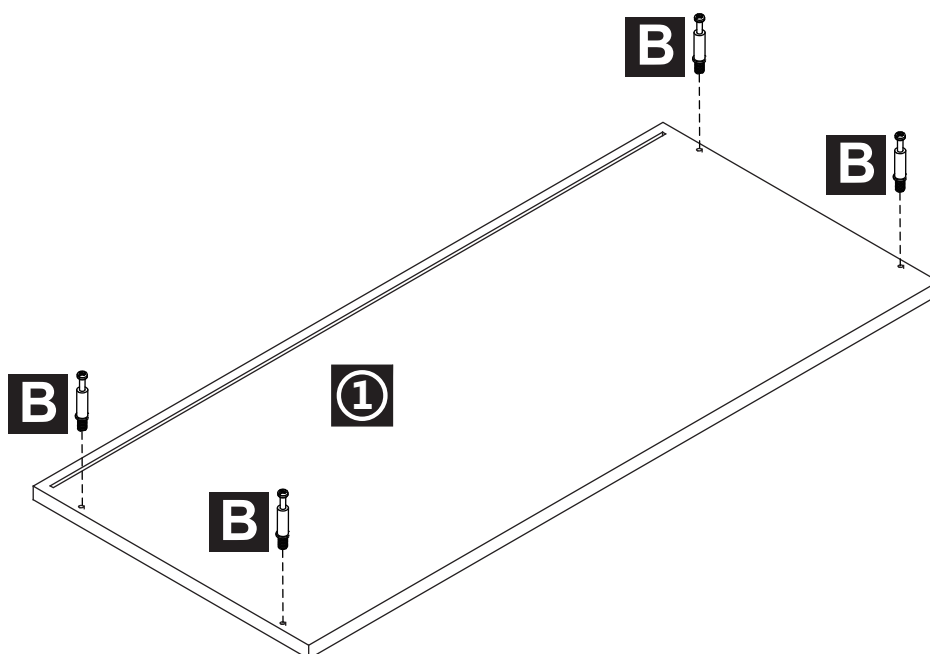
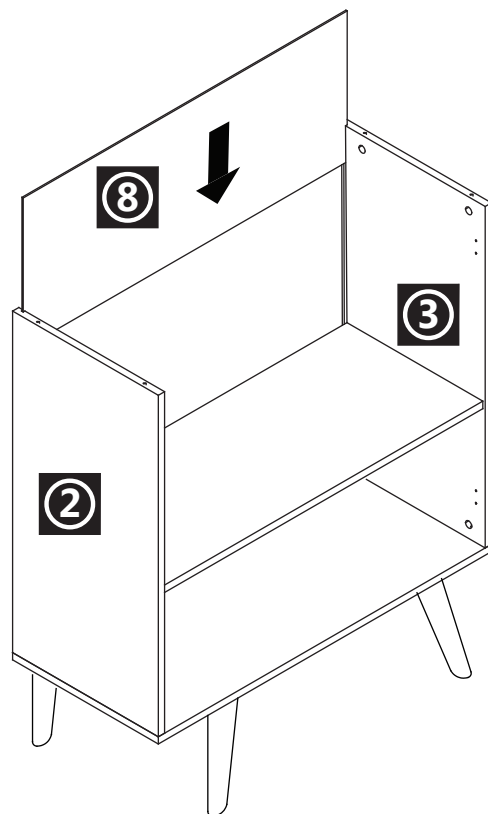
06



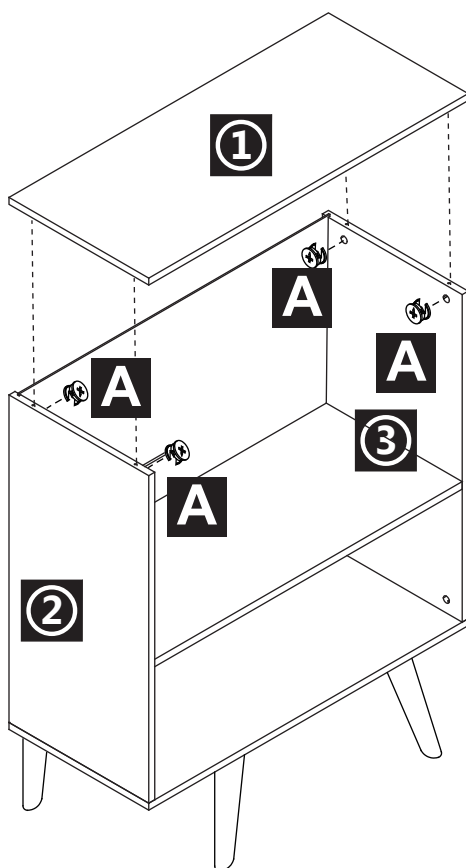


A x4





A x 4

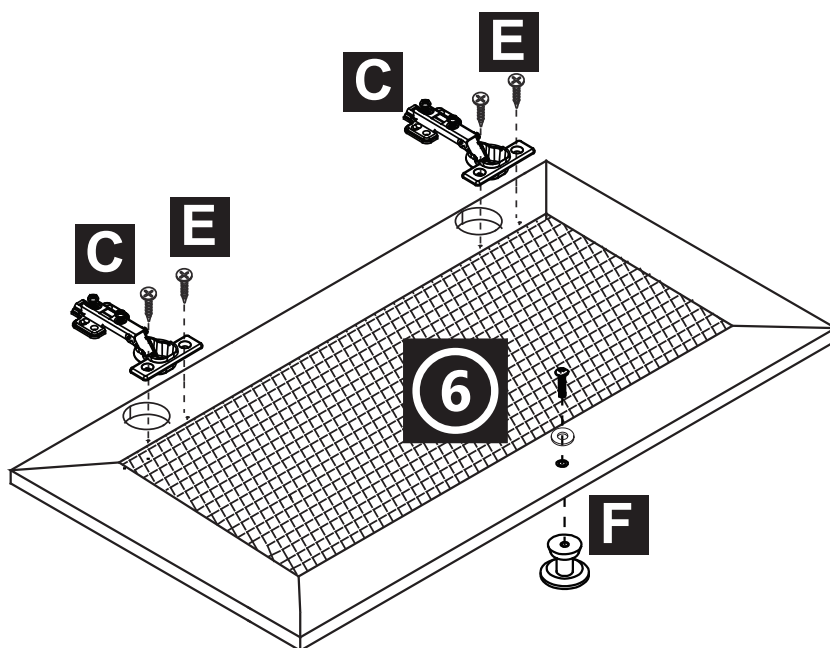


C x 4

E x 8

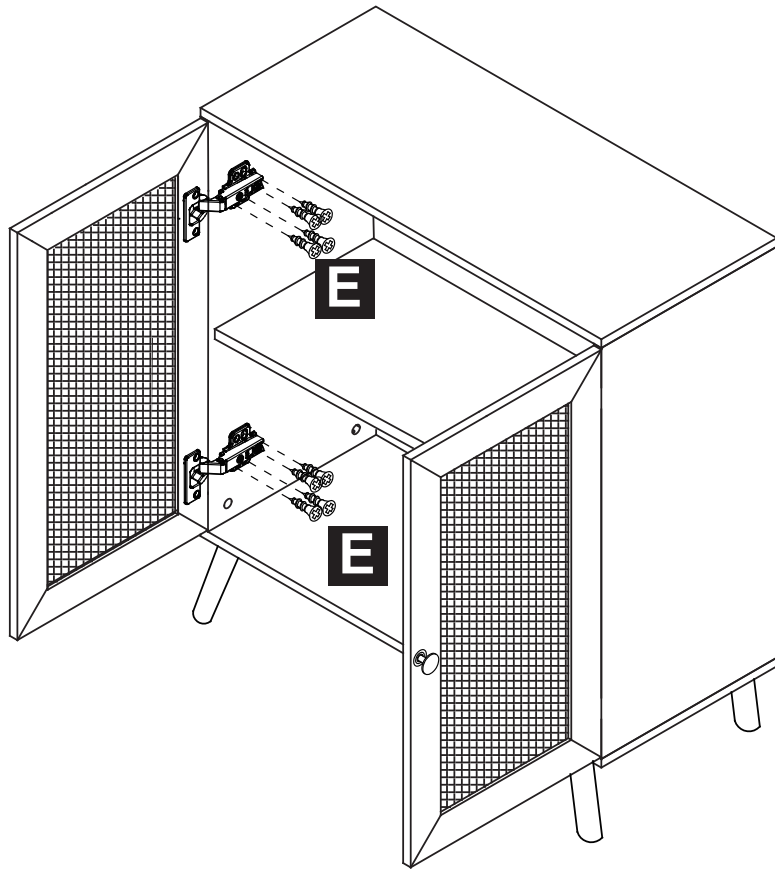
F x 2

x2



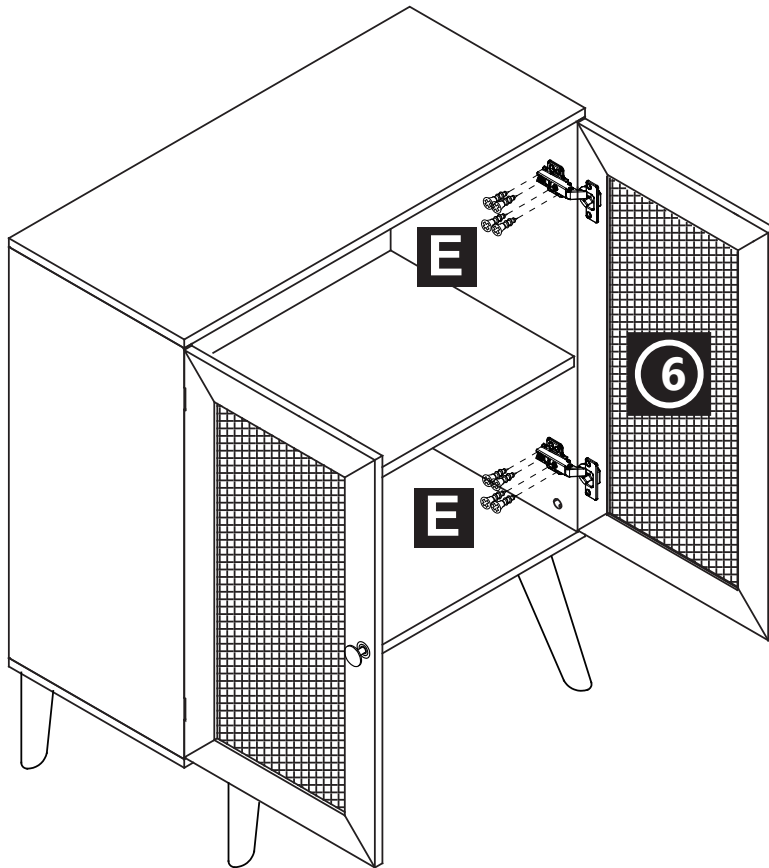
**E** x 8

**13**

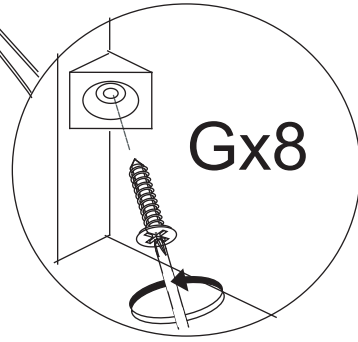
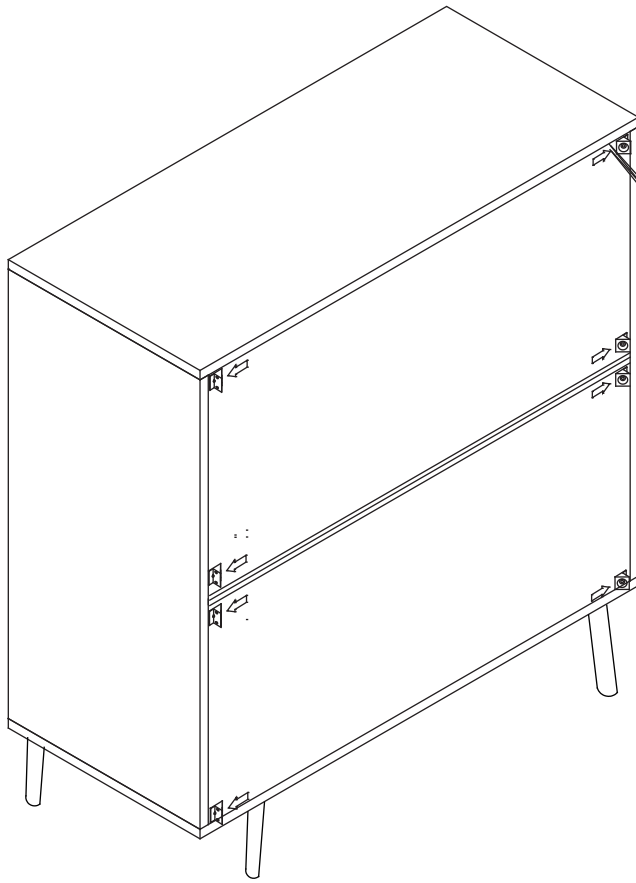


**E** x 8

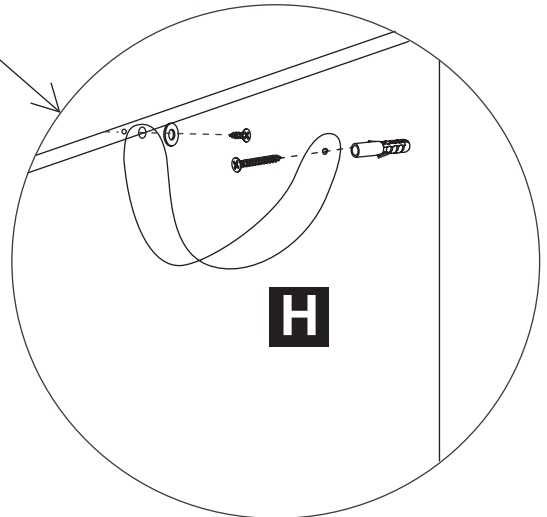
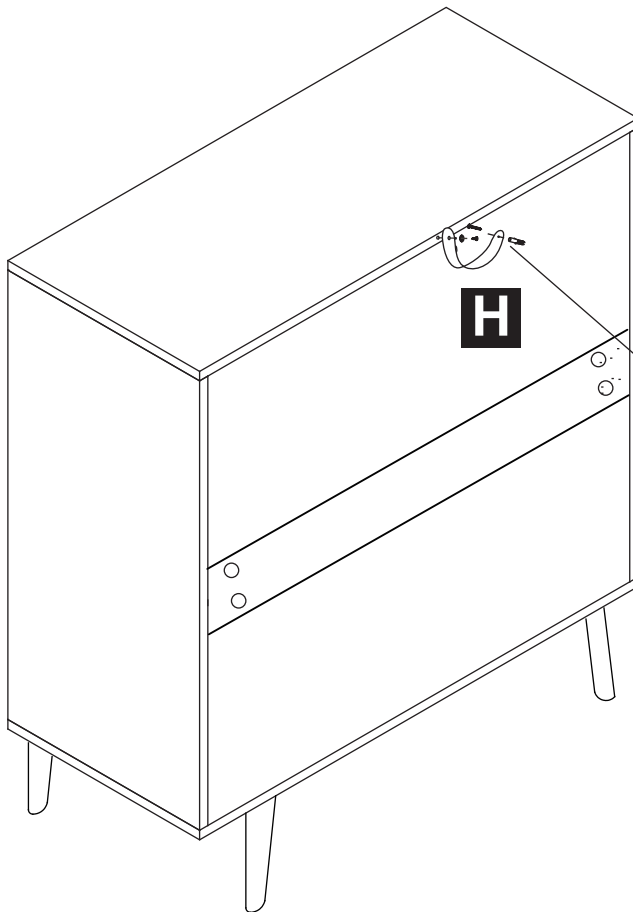
**14**



G x 8



H x 1



# Customer Instruction Card

*To our most beloved and valuable customer:*

*Thank you for placing your order with us, and we are appreciating your trust and support.*

*However, if you need any assistance from us regarding your merchandise or delivery service please contact our customer care specialists*

*Common Questions:*

- 1. Normally the cushion is placed within the ottoman/chair, please turn it upside down, you may find the cushion.*
- 2. Please do not fully tighten the screws before all parts were assembled successfully, in case the products can not be lined up in position.*
- 3. Furniture sets are mostly delivered in multiple cartons. If the numbers of boxes you received are not correct/missing. Please contact us via phone or email with your order number.*
- 4. Our cushions are considered as shower proof, and we recommend that when the furniture set is not in use , cover it with a furniture cover or store it in dry place.*
- 5. Always be careful when cleaning or handling glass (Always wear gloves and read the instructions of any household cleaner.) We do not advise placing hot objects such as tea or coffee pots directly onto the surface of the glass, always use coasters.*
- 6. If you would like to return the order, be sure to also return any accessories and packing slips that came with your original package.*

*Thank you for your understanding and cooperation, we wish you a fantastic shopping experience with us, and we are looking forward to welcome you again !*