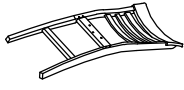
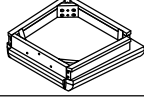
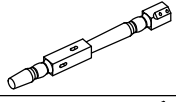
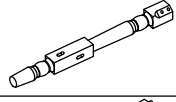
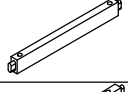
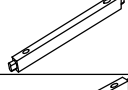
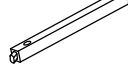







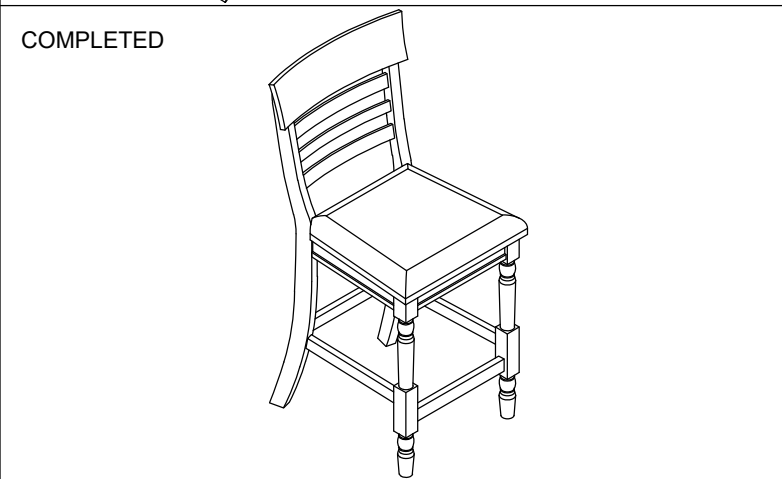
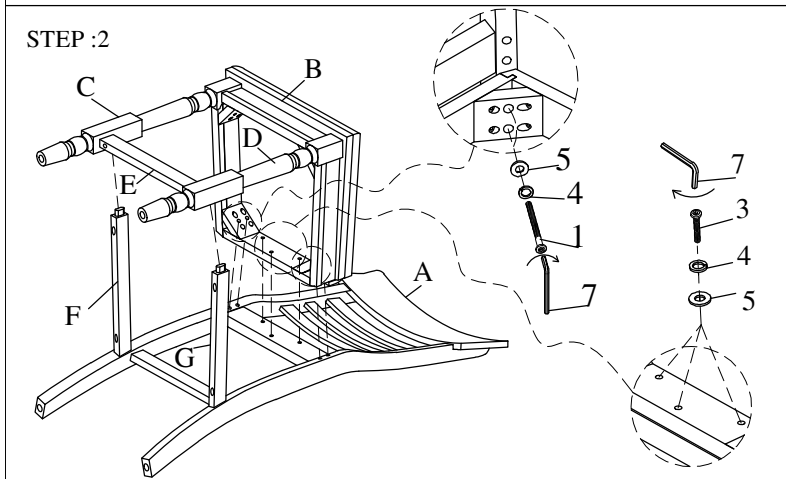
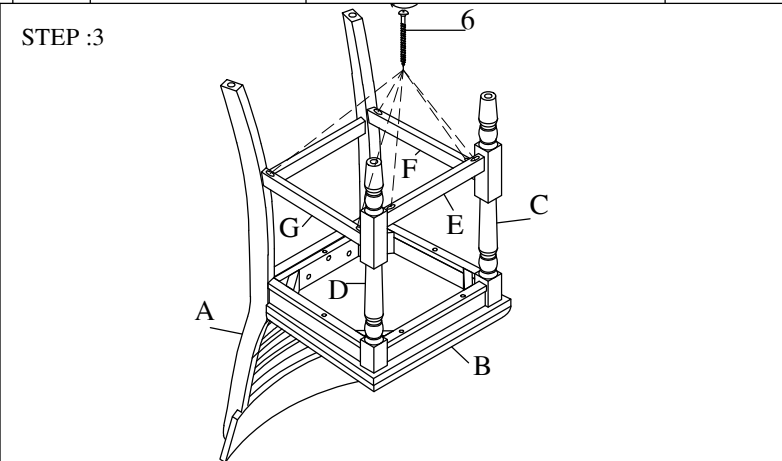
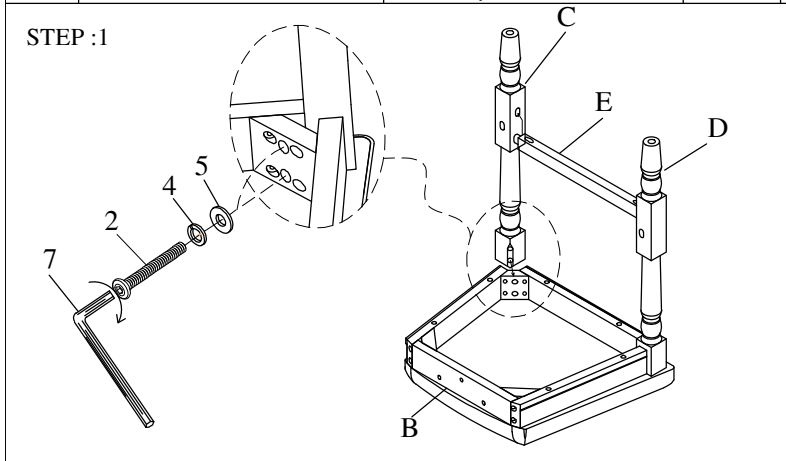


# ASSEMBLY INSTRUCTIONS

NO	PARTS LIST		QTY
A	CHAIR BACK		1pc
B	SEAT FRAME		1pc
C	LEFT LEG		1pc
D	RIGHT LEG		1pc
E	FRONT STRETCHER		1pc
F	SIDE STRETCHER(LEFT)		1pc
G	SIDE STRETCHER(RIGHT)		1pc

NO	HARDWARE LIST		QTY
1		BOLT (5/16"x 80mm)	4pcs
2		BOLT (5/16"x 65mm)	4pcs
3		BOLT (5/16"x 38mm)	3pcs
4		SPRING WASHER (5/16"xØ13x1.5mm)	11pcs
5		FLAT WASHER (5/16"xØ19x1.5mm)	11pcs
6		WOOD SCREW (M4x38mm)	6pcs
7		ALLEN KEY	1pcs



**!** For items use on wooden floor, hard surfaces or carpets, it is recommended to install protective pads under all legs and supports to avoid/prevent from damages/scratches and discoloration  
 Do not tighten bolts until completely assembled  
 Care instructions:  
 . Dust often using a clean, soft, dry and lint-free cloth.  
 . When blot spills, wipe with a clean, damp cloth immediately.  
 . We do not recommend the use of chemical cleansers, abrasives or furniture polish on our lacquered finish.  
 . Hardware may loosen over time. Periodically check to make sure all connections are tight. Re-tighten if necessary.