
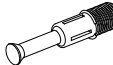


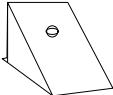

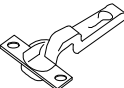
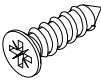
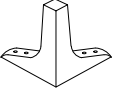
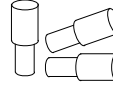
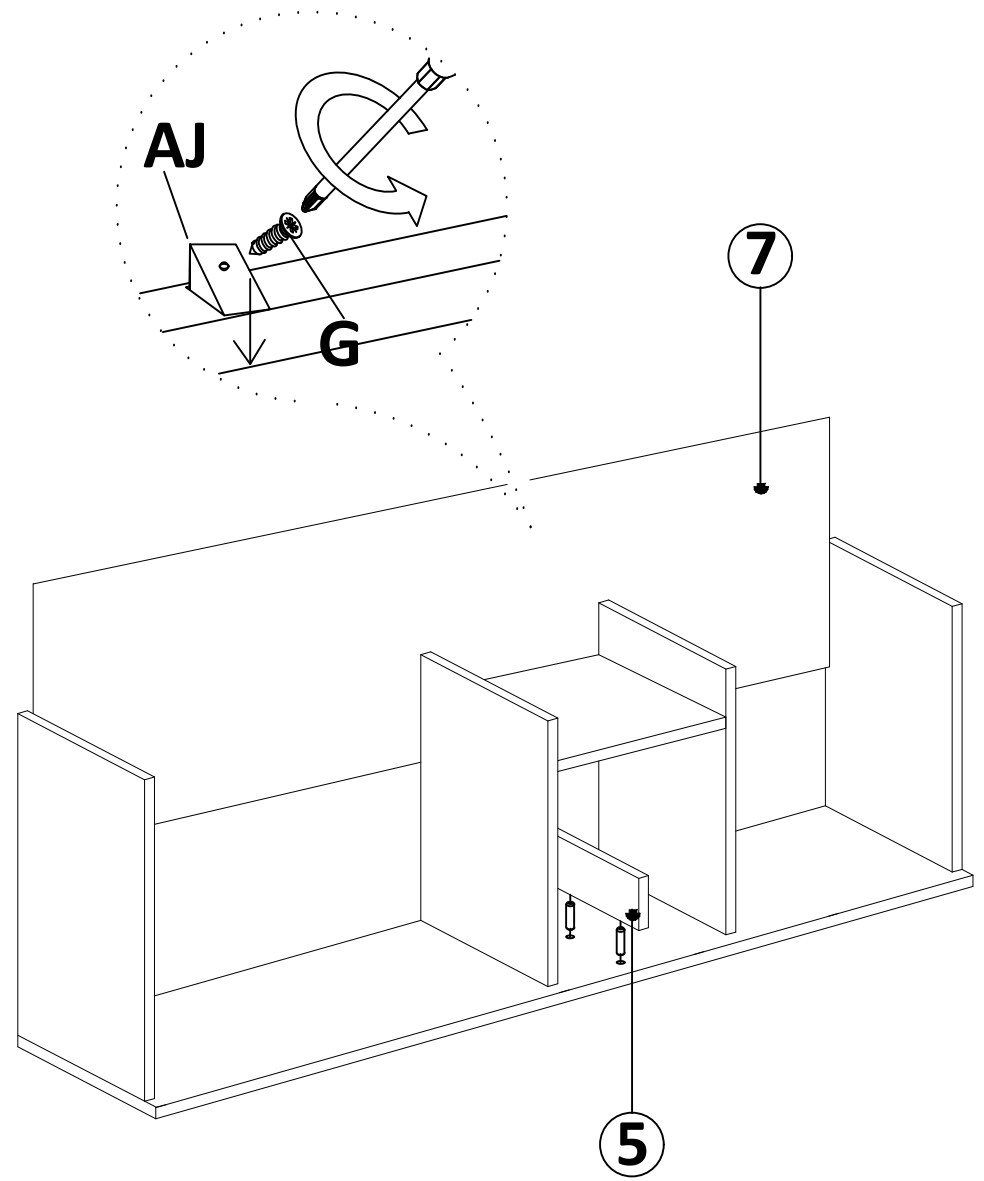
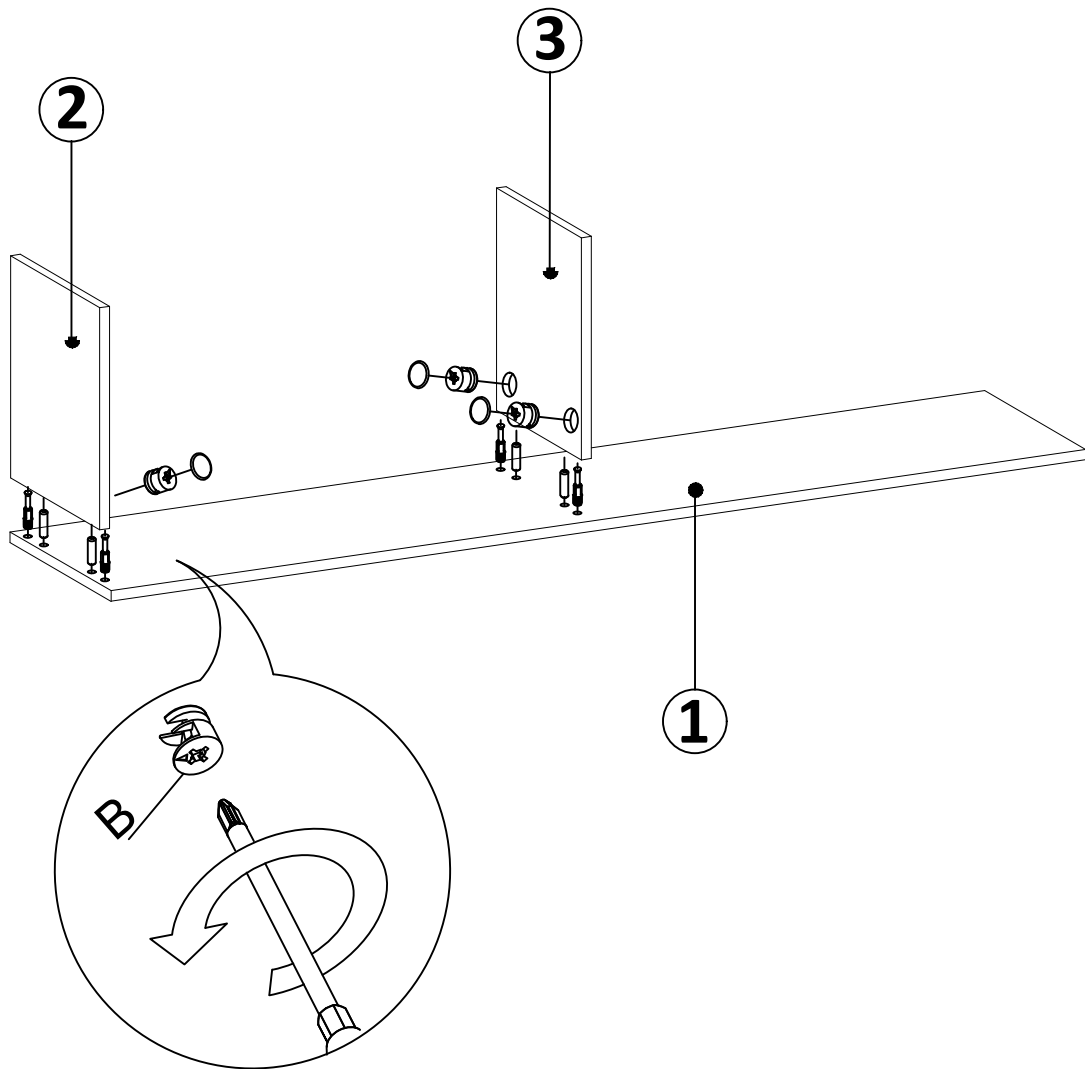


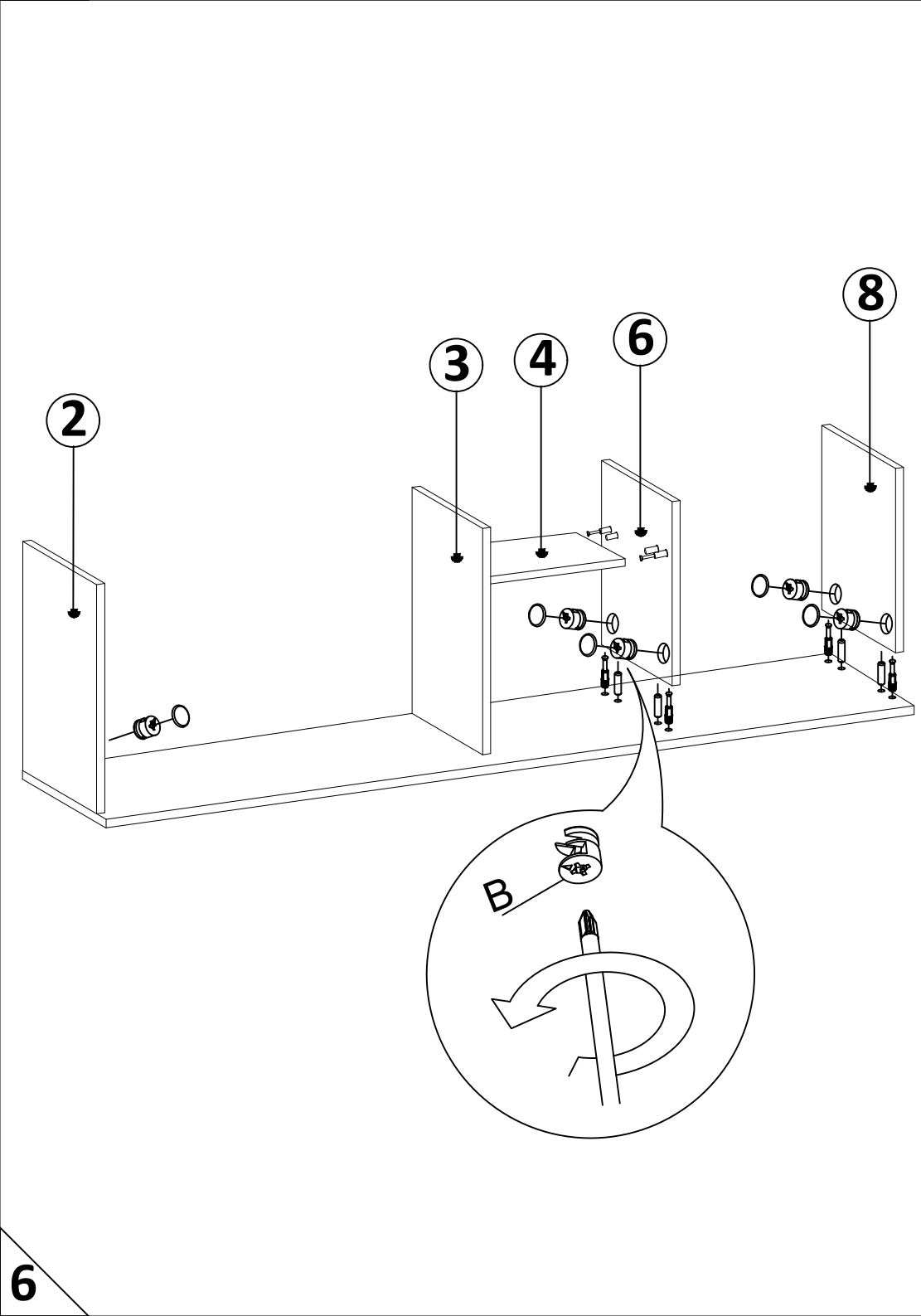
MATERIALS



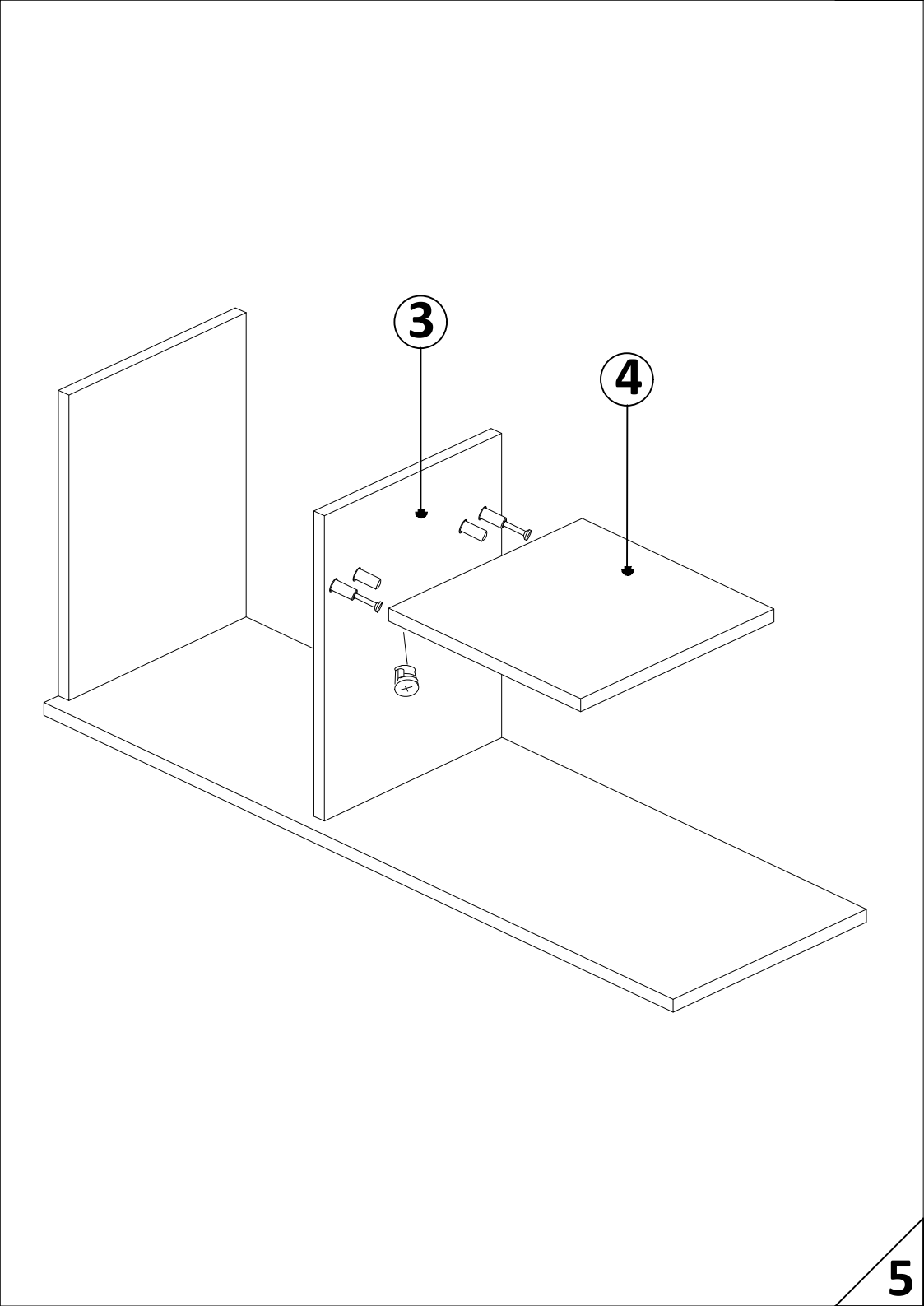
 x20	 x20	 x20	 x22	 x4
B	A	C	D	AJ
MINIFIX BODY	MINIFIX GIB	MIN.STOPPER	DOWEL	PLASTIC JOINING
 x12	 x6	 x28	 x4	 x8
EV	S	I	BO	AH
4x35 SCREW	HINGE (CRANK 0)	3,5x18 SCREW	250 mm PVC LEG	SHELF BUTTON

NO		PIECE
1	BOTTOM PART	1 PC
2	LEFT PART	1 PC
3	MIDDLE PART	1 PC
4	FIXED SHELF	1 PC
5	MINI PART	1 PC
6	MIDDLE PARTS	1 PC
7	BACK PART	1 PC
8	RIGHT PART	1 PC
9	TOP PART	1 PC
10	SHELF PART	1 PC
11	SHELF PART	1 PC
12	COVER PARTS	3 PCS





6



5