

# INSTALLATION INSTRUCTIONS

Item#N2373-732-L

READ AND SAVE THESE INSTRUCTIONS

**WARNING! SHUT POWER OFF AT FUSE OR CIRCUIT BREAKER.**

**AVERTISSEMENT! COUPER LE COURANT AU NIVEAU DES FUSIBLES OU DU DISJONCTEUR.**

## PREPARATION (Fig.1)

1. Shut off power at the fuse box or circuit breaker box and remove the old fixture including the mounting hardware.
2. Carefully unpack your new fixture and lay out all the parts in a clean area. Take care not to misplace any small parts necessary for installation.
3. Position mounting plate (B) over ceiling and mark location of three holes on mounting plate (B) where plastic anchors (A) will be inserted. Drill holes into ceiling and insert plastic anchor (A).
4. Attach mounting plate (B) to the junction box (not included) secure with mounting screws (D) (Size: #8-32N\*L1/2"). The side of the mounting plate (B) with "GND" marked on it and two convex points must face out. And install the three wood screws (C) into the plastic anchors (A).

## CONNECTING THE WIRES (Fig. 2)

5. Connect the electrical wires as shown in Fig 2, making sure that all wire connectors are secured. If your junction box has a ground wire (green or bare copper), connect fixture's ground wire to it. Otherwise, connect fixture's ground wire directly to the mounting plate (B) using green screw provided.
6. Tuck wire connectors neatly into the junction box.

## COMPLETING THE INSTALLATION (Fig. 1)

7. Carefully raise the canopy (G) up to ceiling, secure with screws(F).
8. Attached glass shade(L) up into LED shade(I) and secure with set screws(K) and allen wrench (J). Adjust the length of cable (H) to the desired height by pushing the wire strainer (M) on canopy (G).

## Replacing LED module (Fig. 1)

The LED module can be replaced by a qualified electrician without cutting of wire and without damage to any decorative element to which the fixture is attached. See installation steps for more details (Fig.1).

- a. Shut off the power.
- b. Loosen the set screws(K) with allen wrench (J),take off the glass shade (L) from LED shade (I) .Disconnect the LED shade (I) from cable (H). Replace a new LED shade (I)

Note: The LED shade should be provided by a specified supplier.

Dimmable with ELV and/or LED compatible dimmer switches.

Your installation is now complete. Return power to the junction box and test the fixture.

**Note: Illustration (Fig. 1) on this manual is for installation purposes only. It may or may not be identical to the fixture purchased.**

Fig.1

Set#A-020-215D

- Mounting plate
- Ground screw
- Wood screws(3)
- Plastic Anchors(3)
- Mounting screws(2)

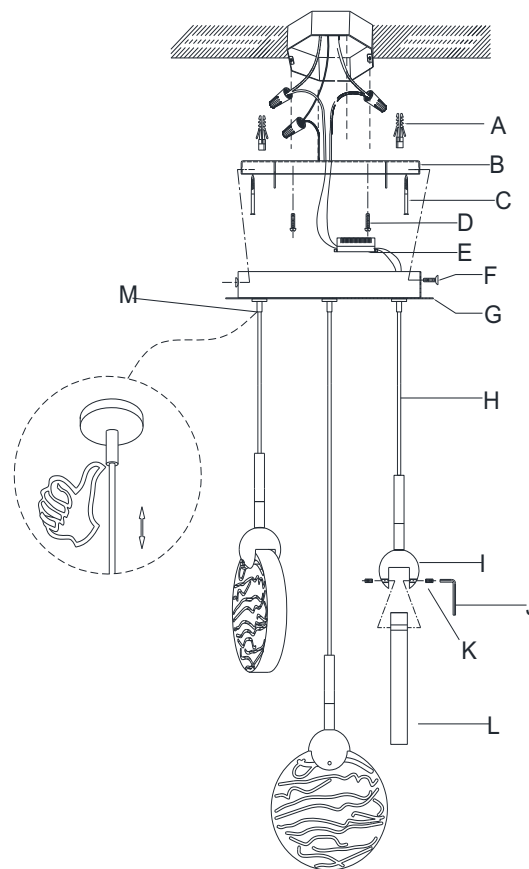


Fig. 2

