

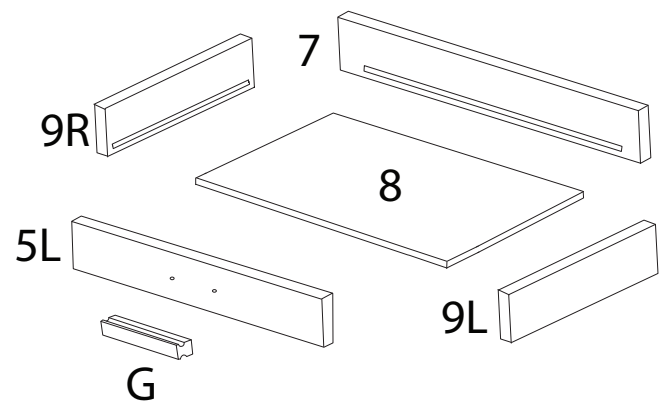
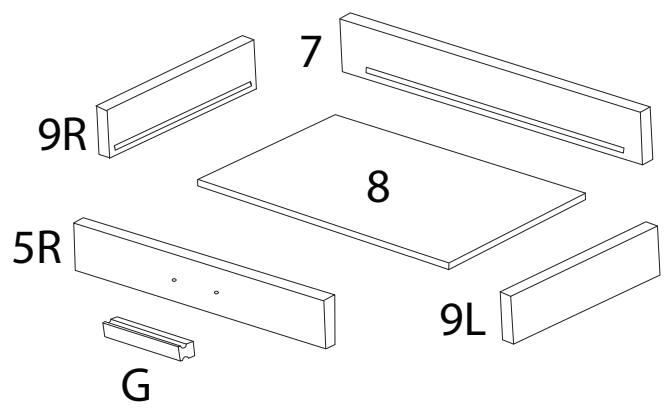
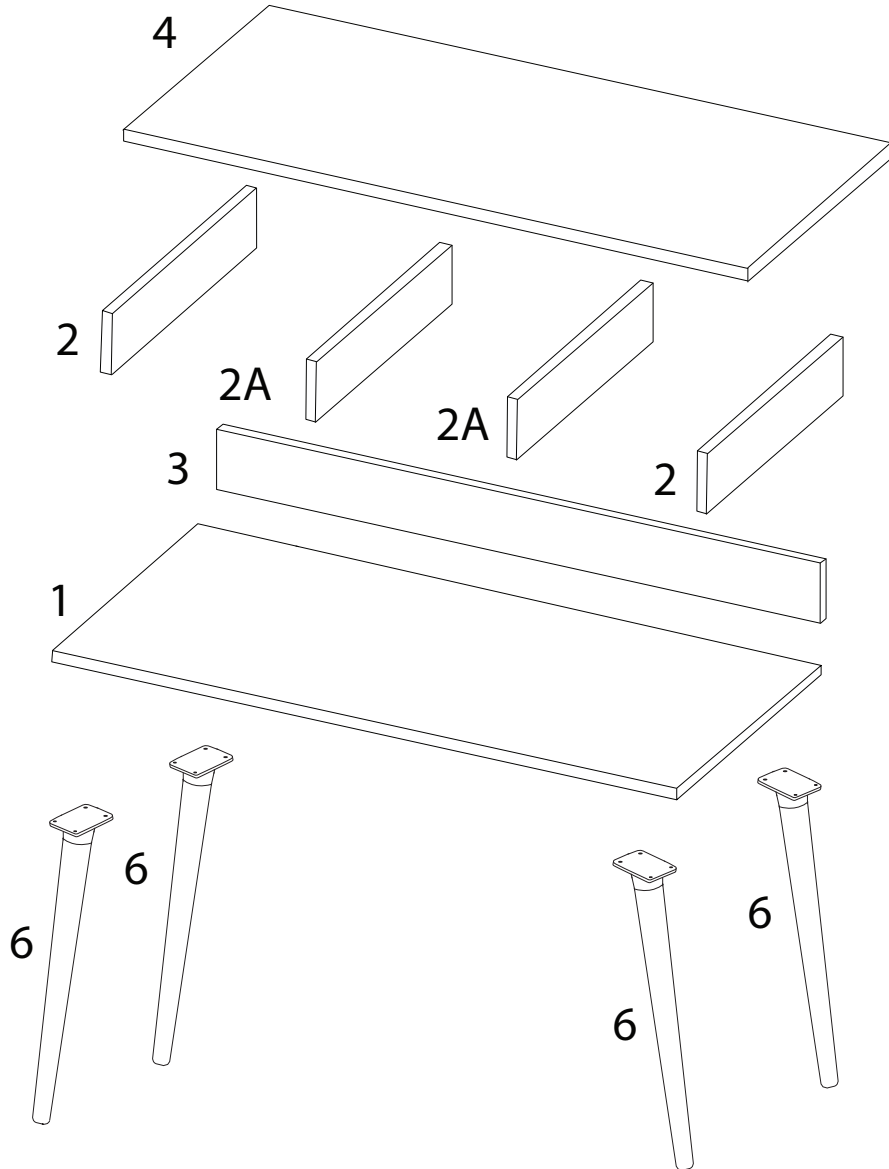
! (Warning icon)

! (Warning icon)

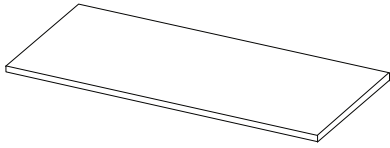
60'

1 (Person icon)

This section contains two rounded rectangular boxes. The top box contains icons for an Allen key, a hammer, a screwdriver, and a power drill with a diagonal line through it, indicating that the power drill should not be used. The bottom box contains icons for a block of wood being placed on a mat and a block of wood being cut with a saw, with a diagonal line through the saw icon, indicating that a saw should not be used. To the right of these boxes is a clock icon with the number '60'' below it, and a person icon with the number '1' below it.

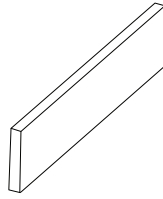


1



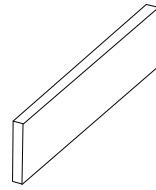
x 1

2



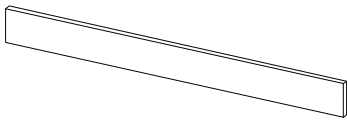
x 2

2A



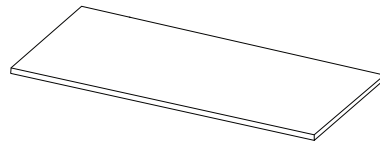
x 2

3



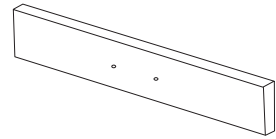
x 1

4



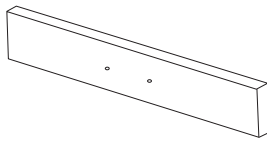
x 1

5R



x 1

5L



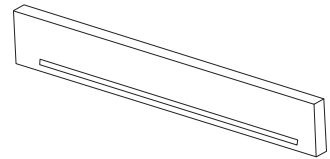
x 1

6



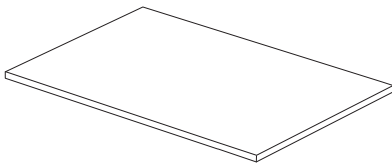
x 4

7



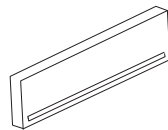
x 2

8



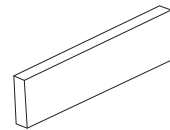
x 2

9R



x 2

9L



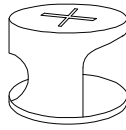
x 2

A



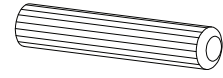
x 30

B



x 30

C



x 16

D1



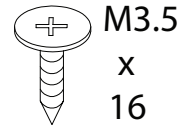
x 4

D2



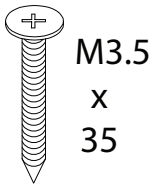
x 4

E



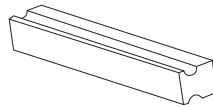
x 16

F



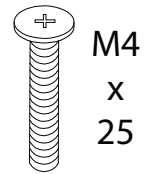
x 8

G



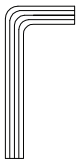
x 2

H



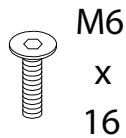
x 4

I



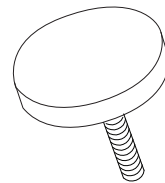
x 1

J



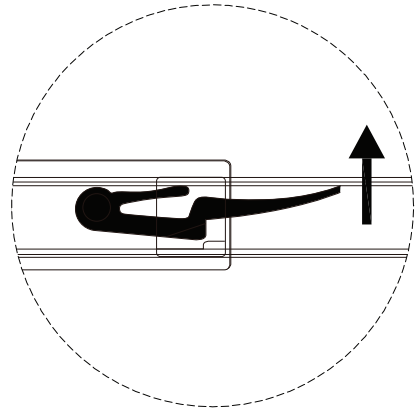
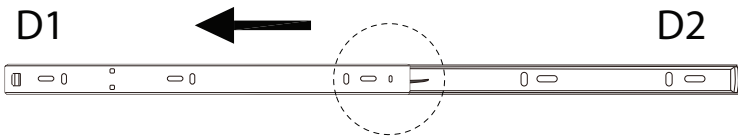
x 16

K

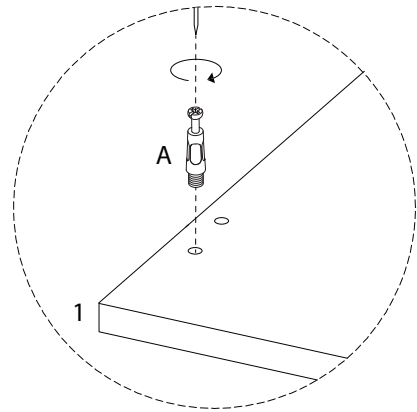
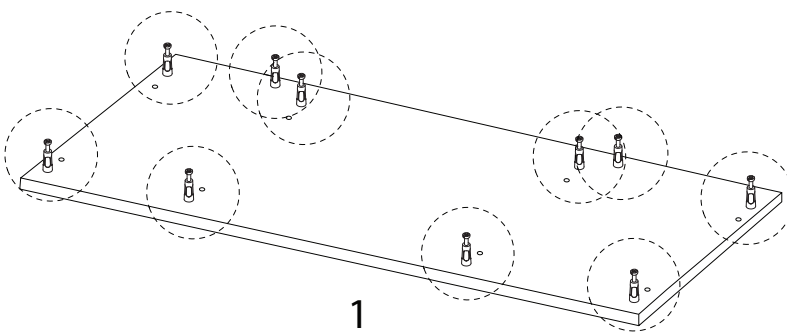
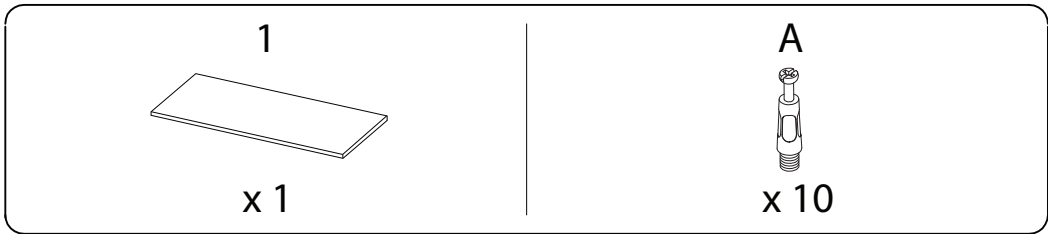


x 4

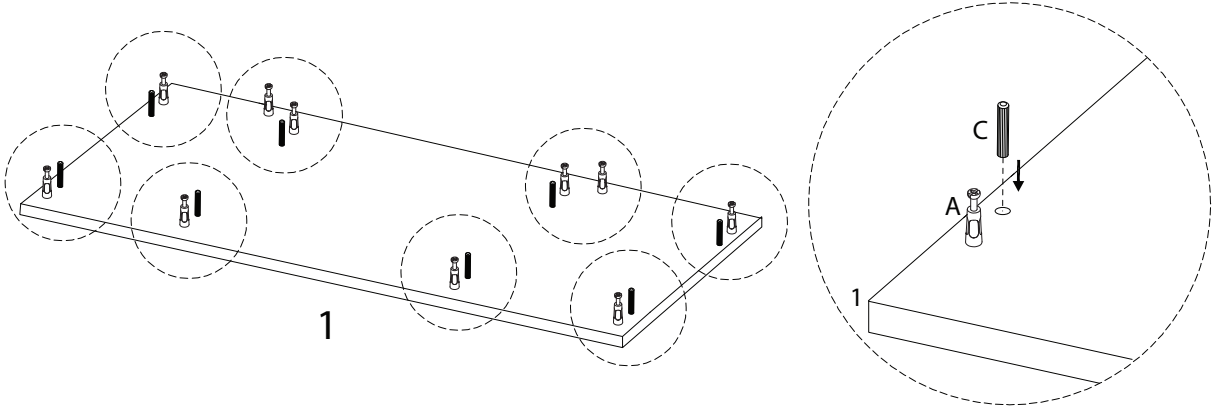
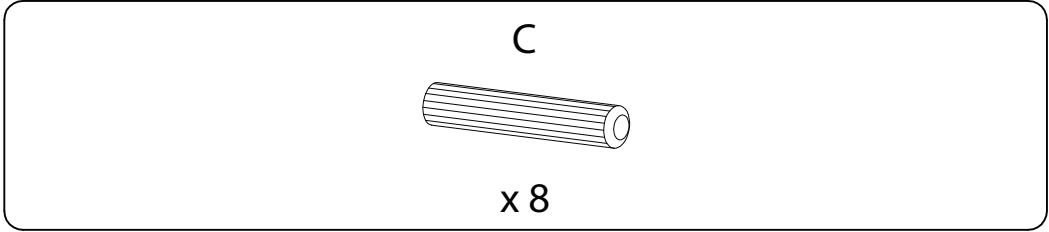
!



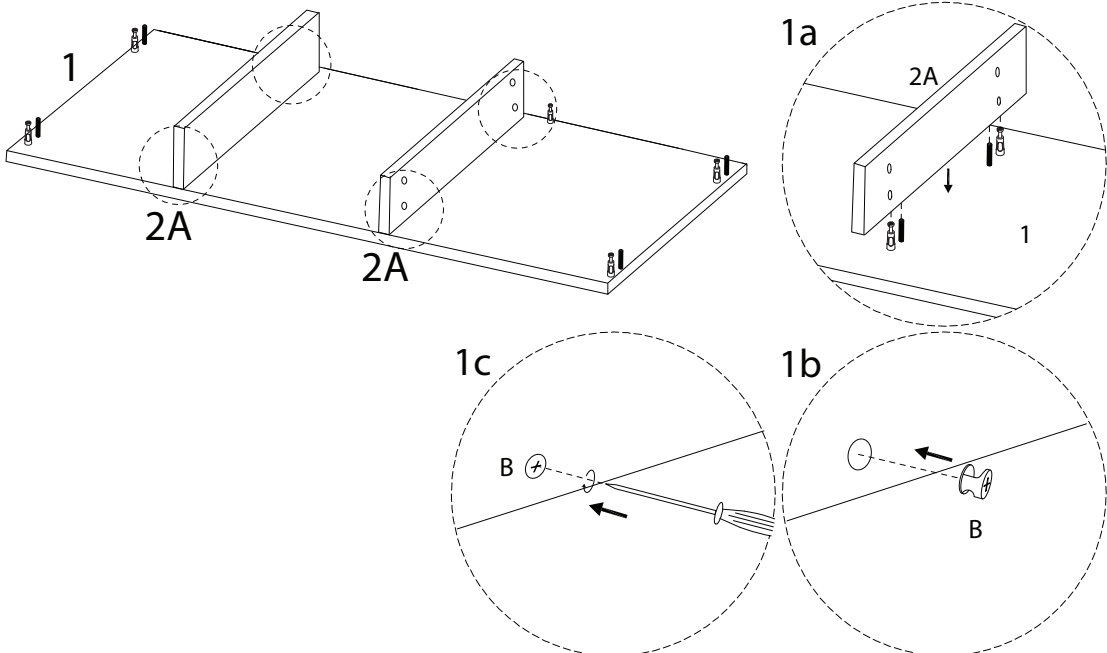
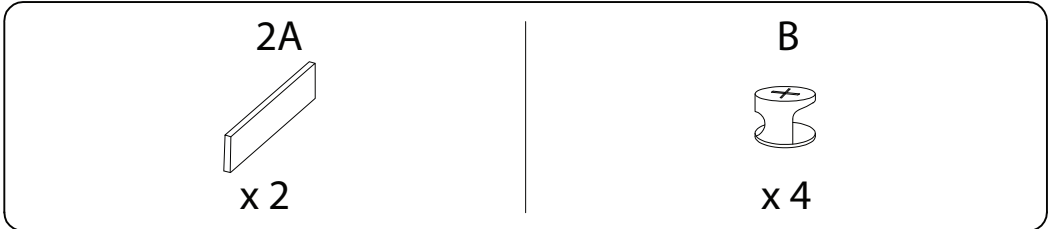
1



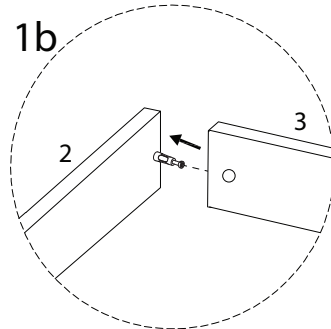
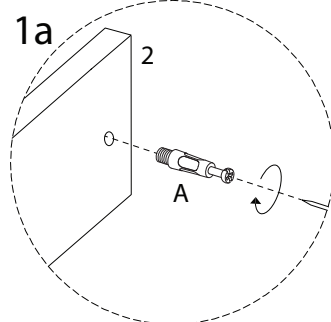
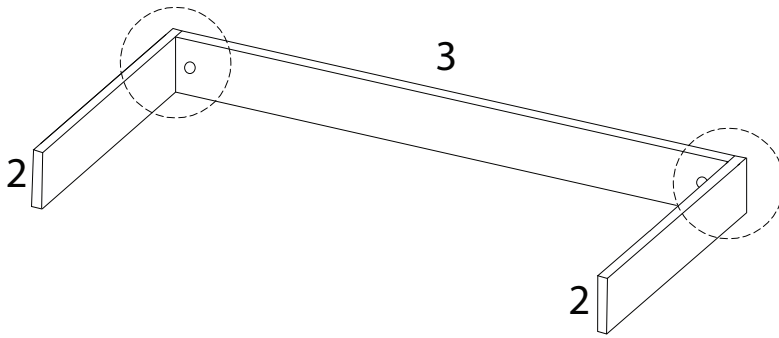
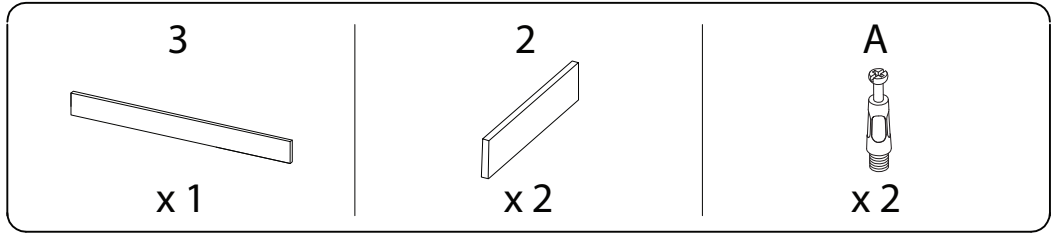
2



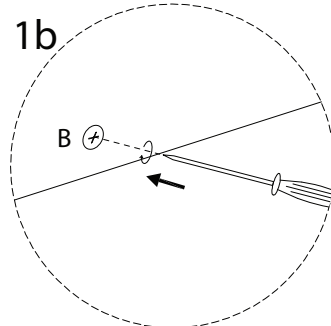
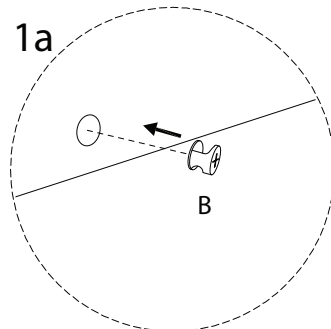
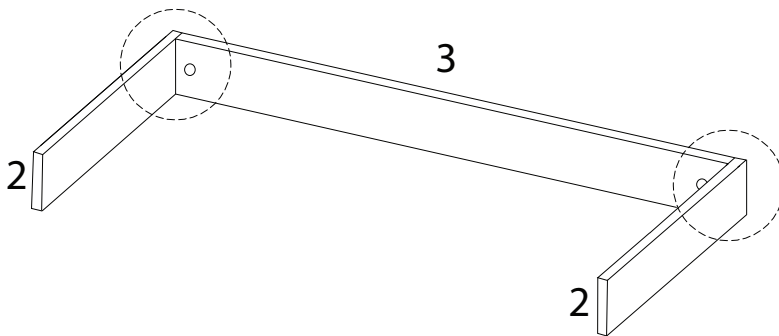
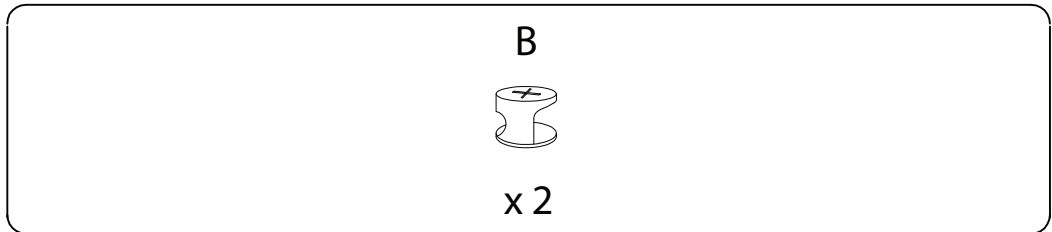
3



4



5

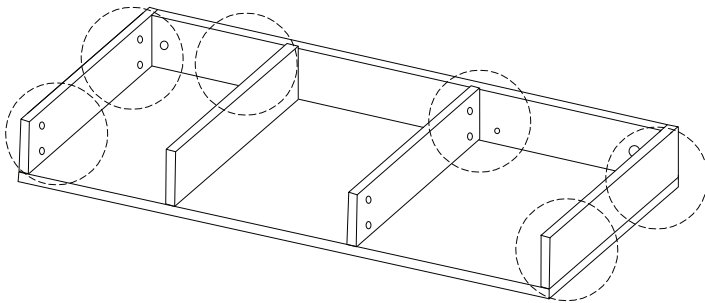


6

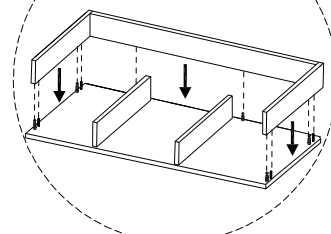
B



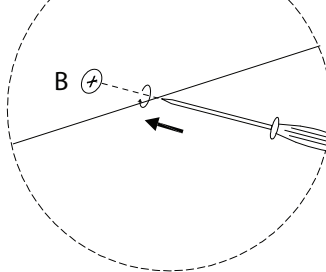
x 6



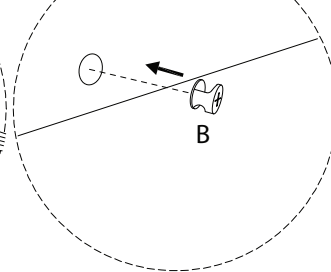
1a



1c



1b



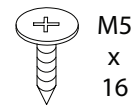
7

D1

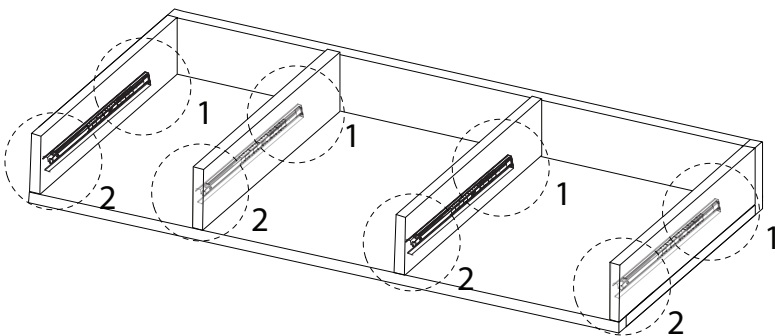


x 4

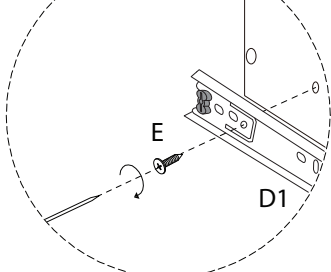
E



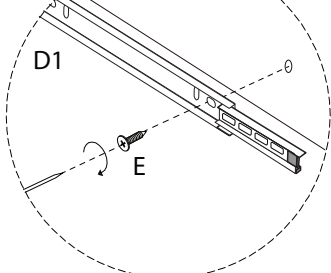
x 8



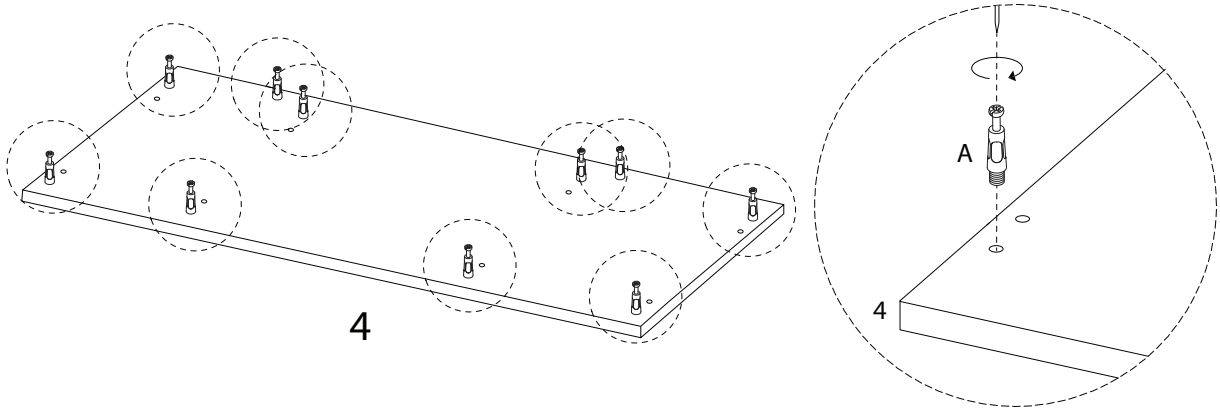
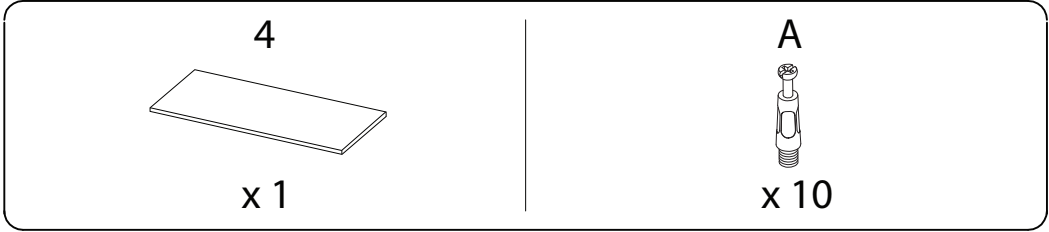
1



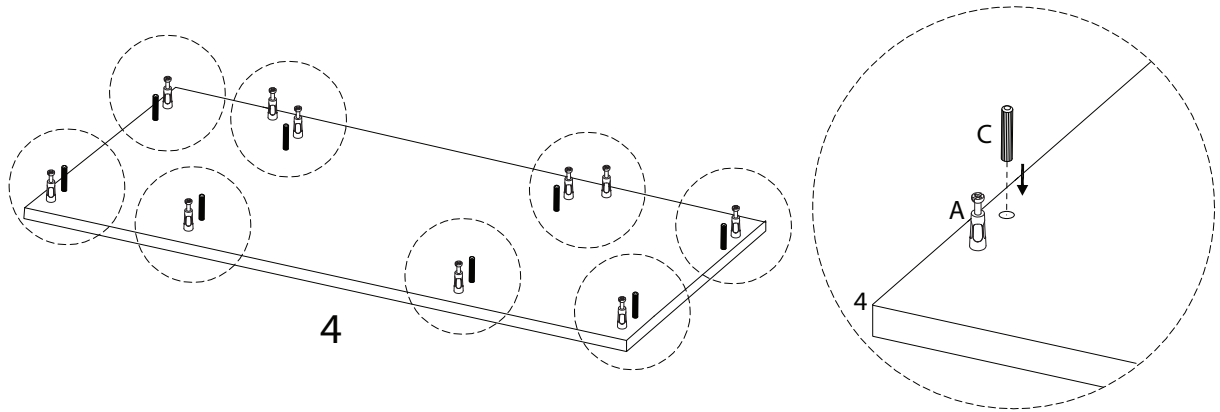
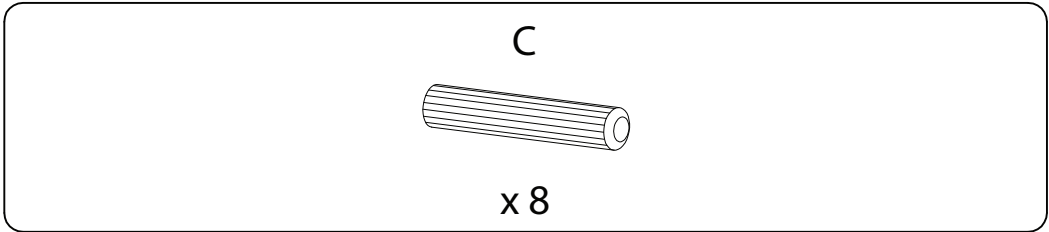
2



8



9

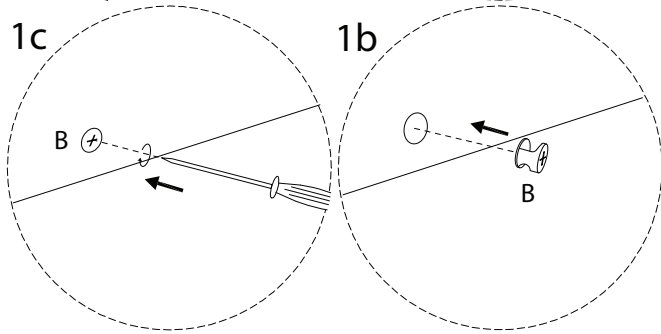
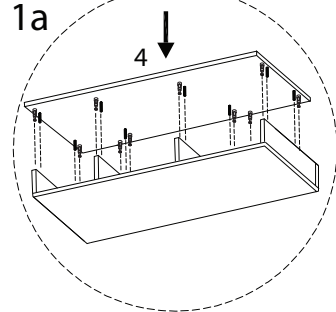
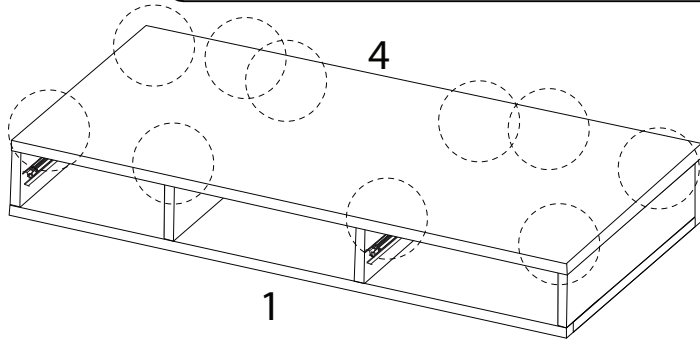


10

B

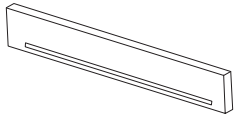


x 10



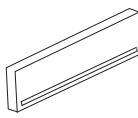
11 x 2

7



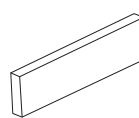
x 1

9R



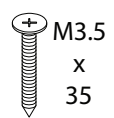
x 1

9L

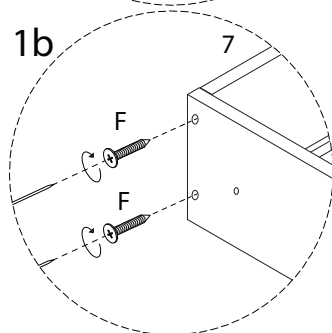
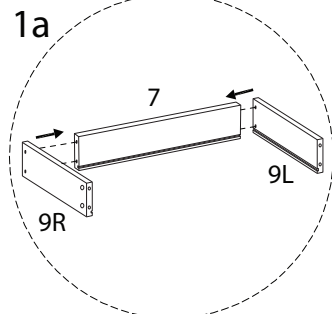
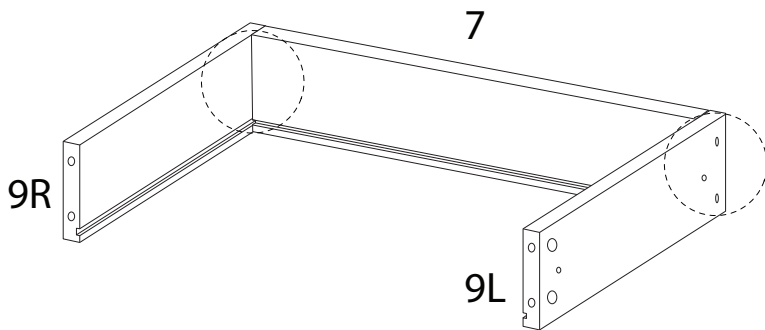


x 1

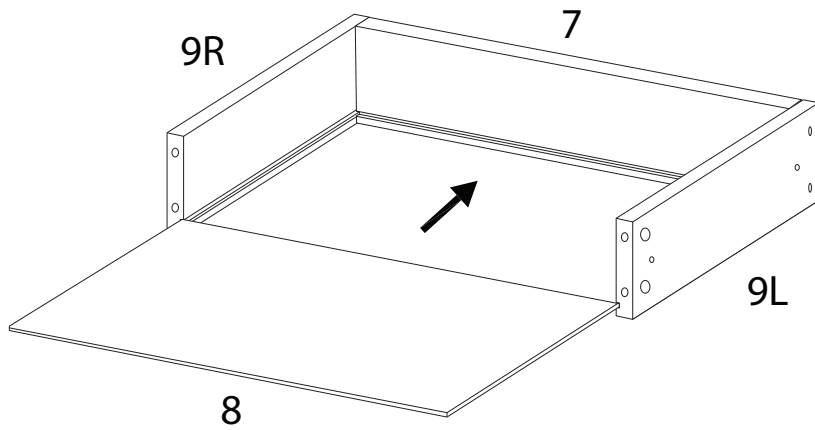
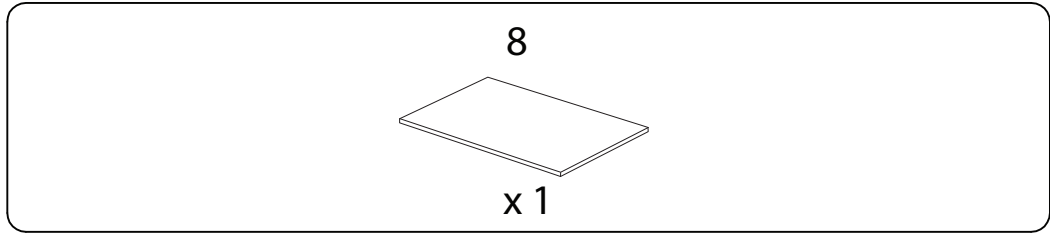
F



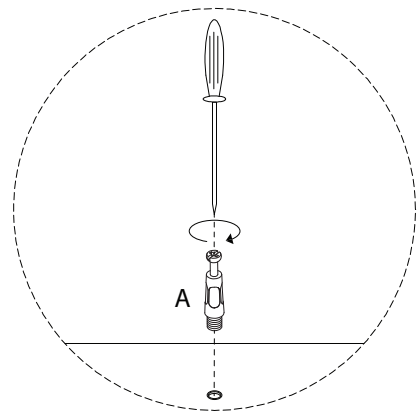
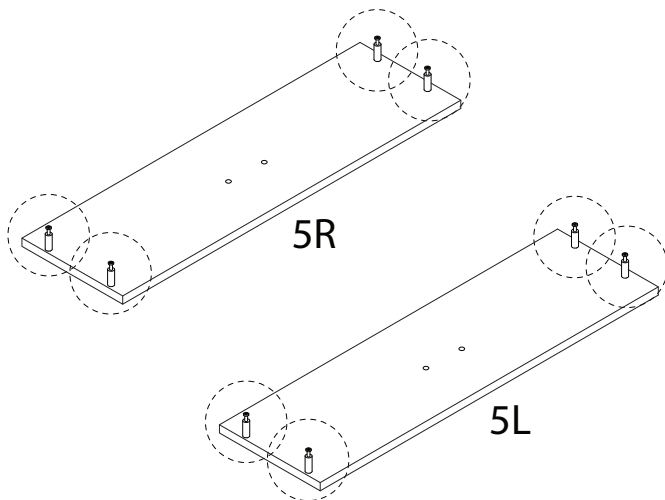
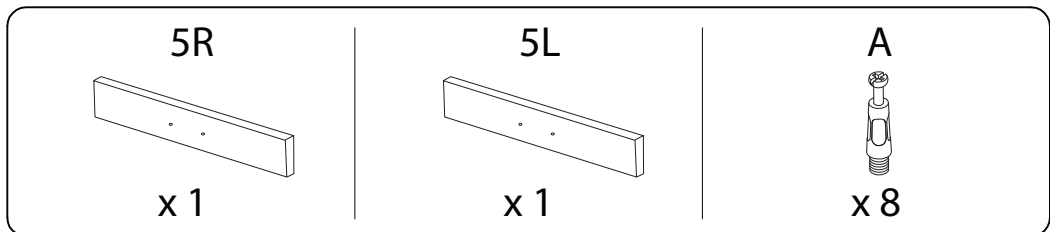
x 4



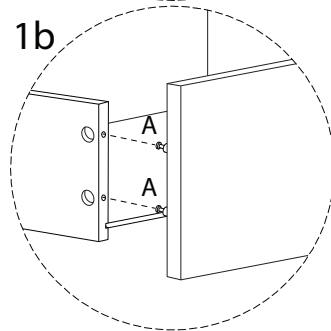
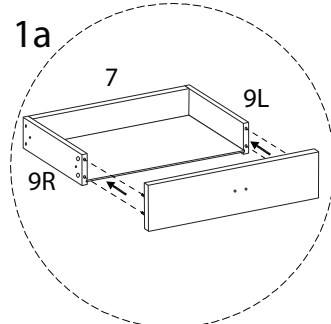
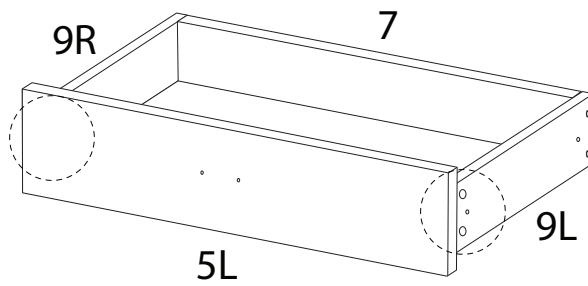
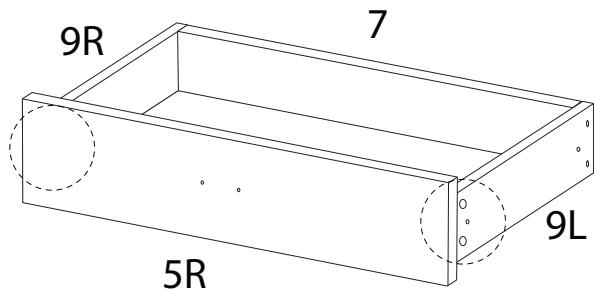
12 x 2



13



14

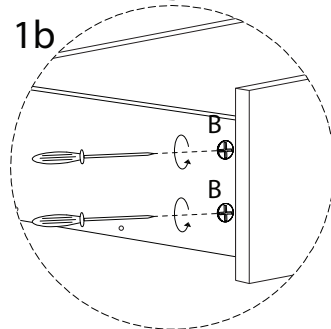
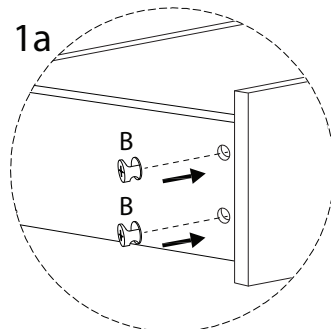
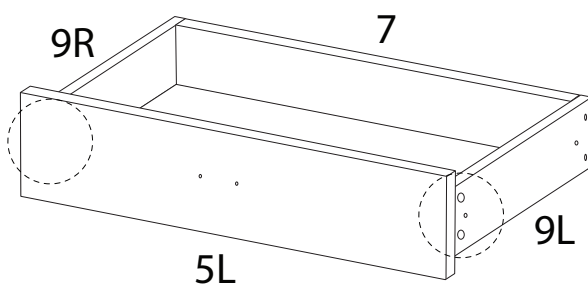
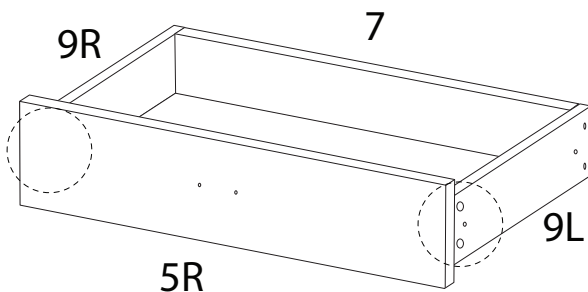


15

B



x 8



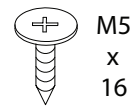
16

D2

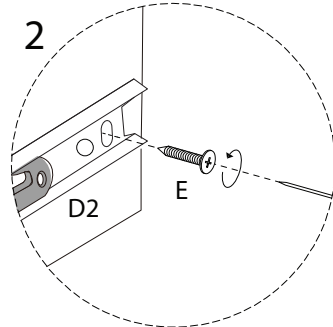
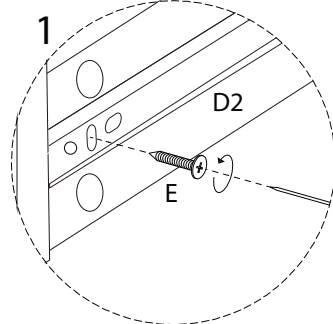
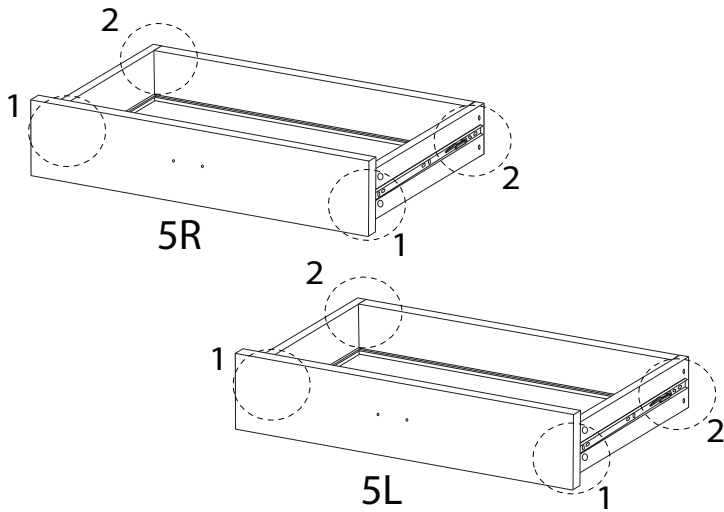


x 4

E

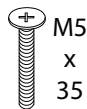


x 8



17

H

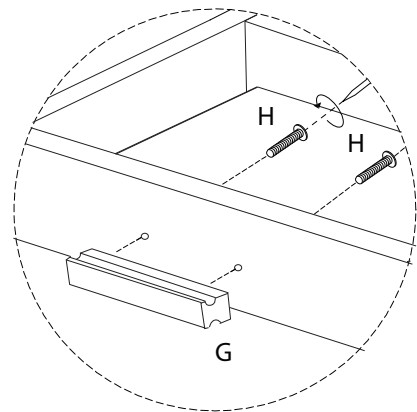
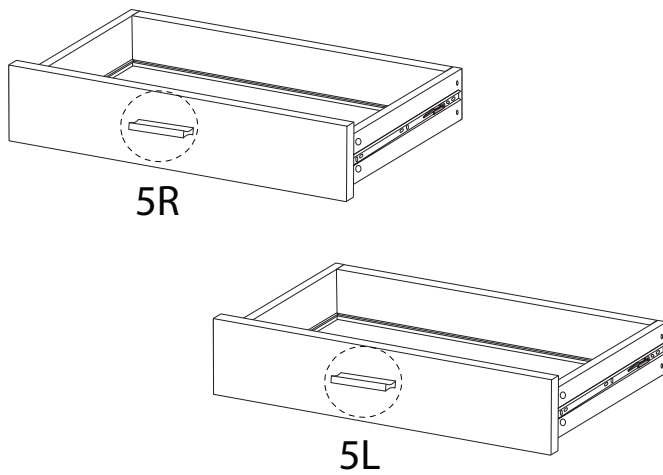


x 4

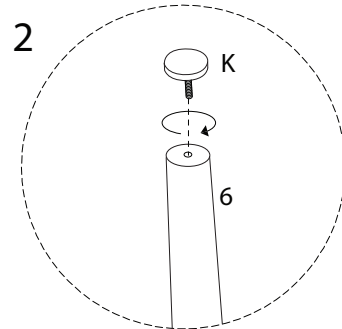
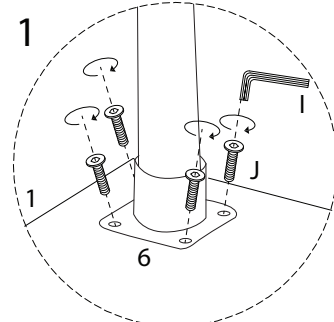
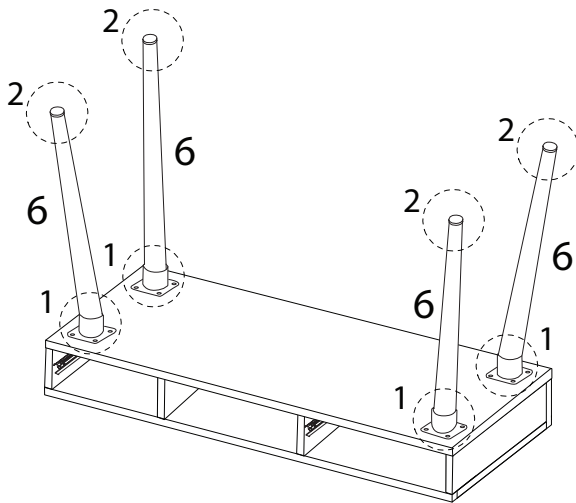
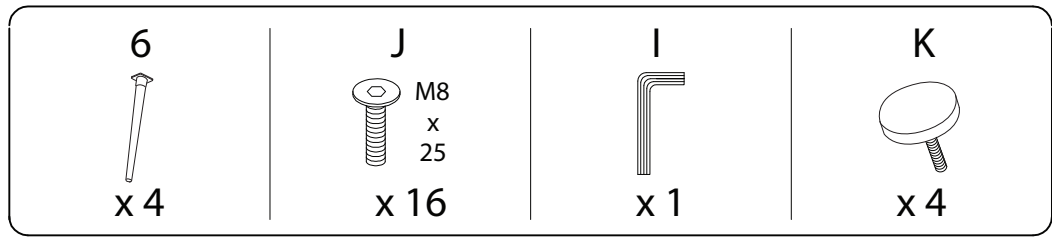
G



x 2



18



19

