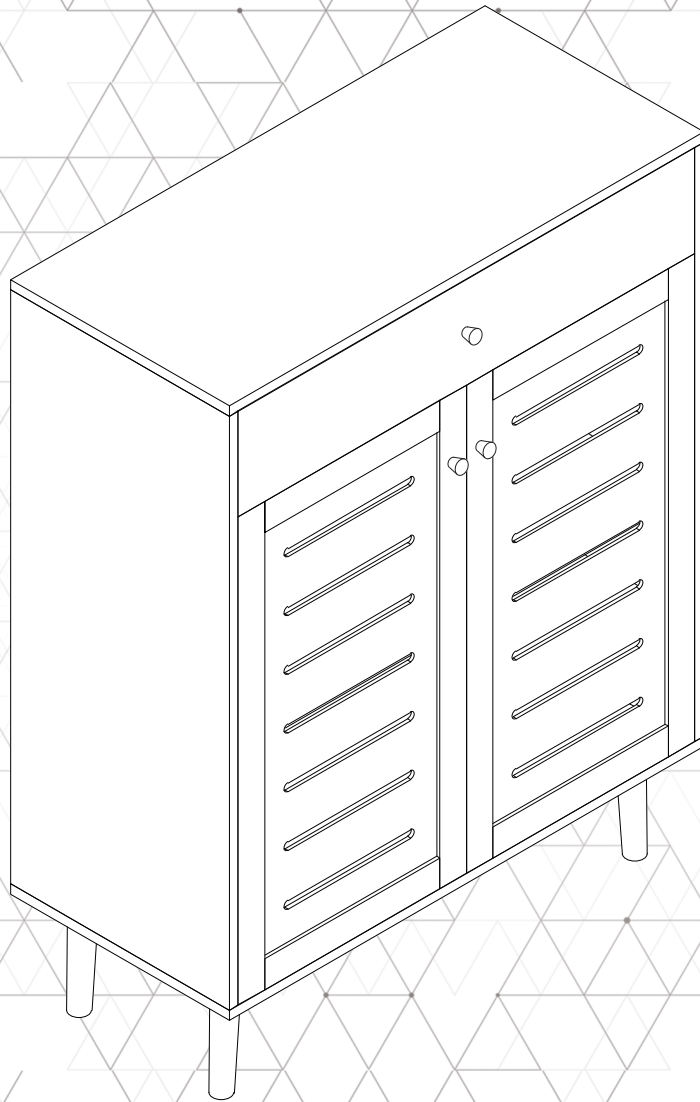


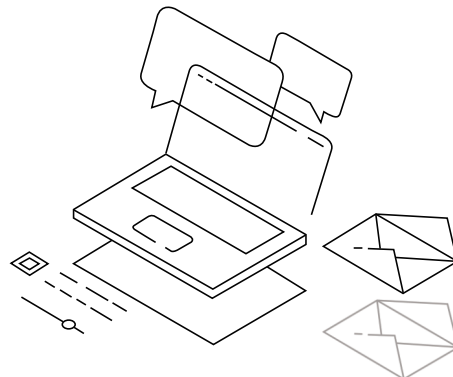
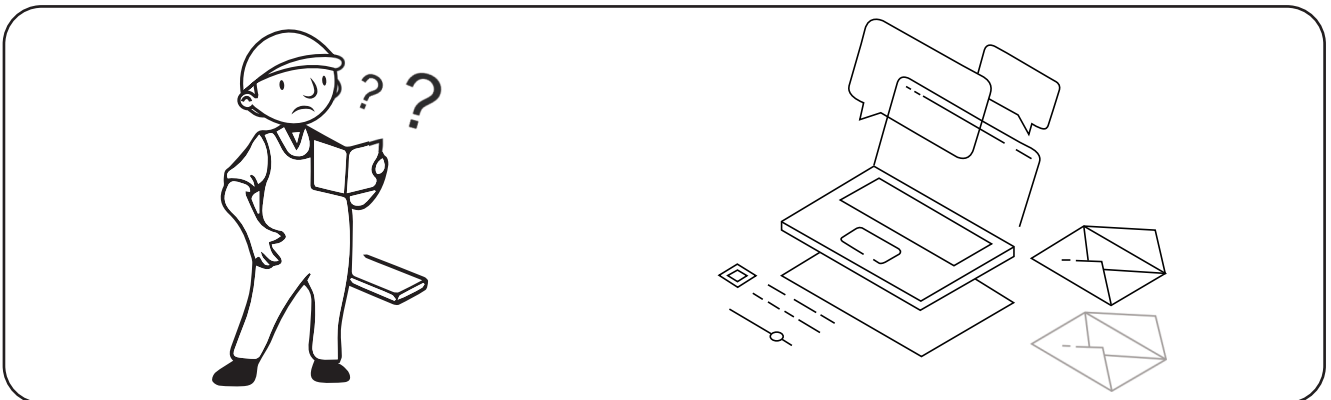
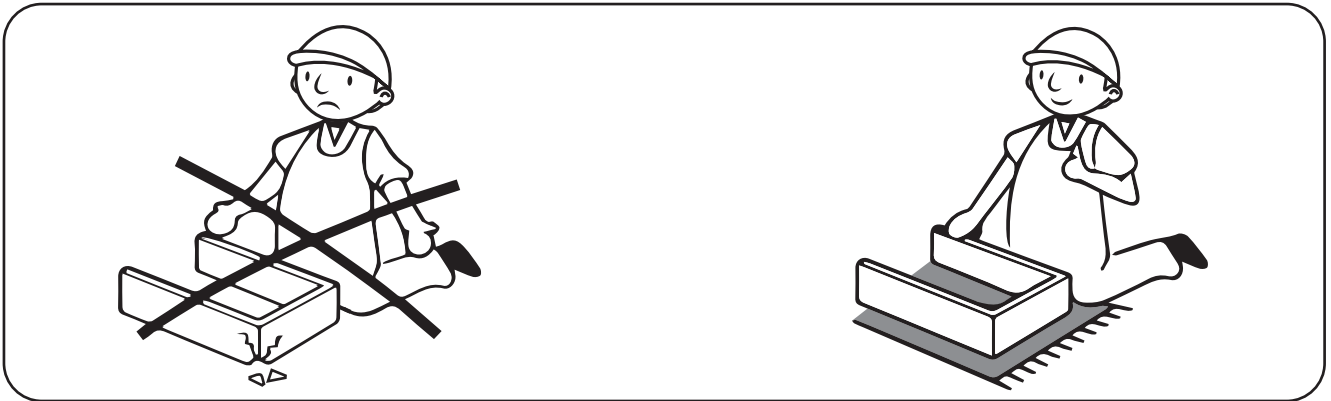
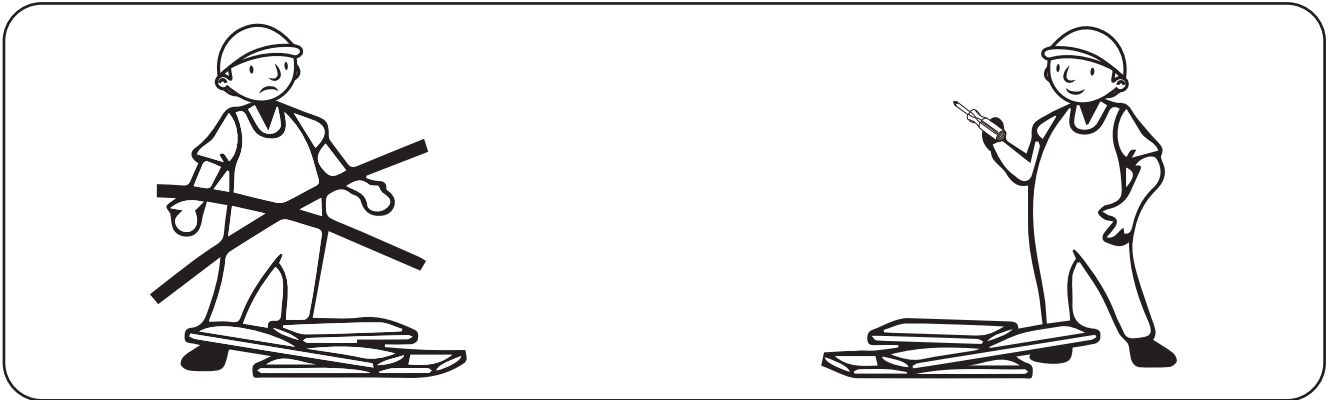
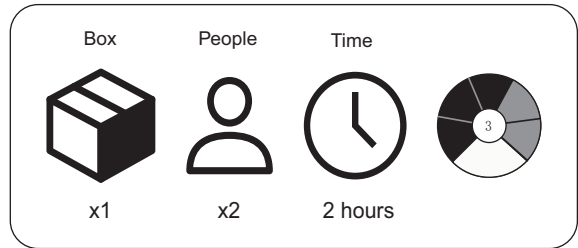
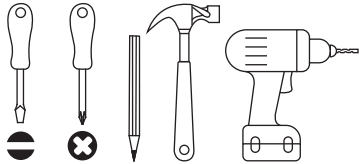
# INSTALLATION MANUAL



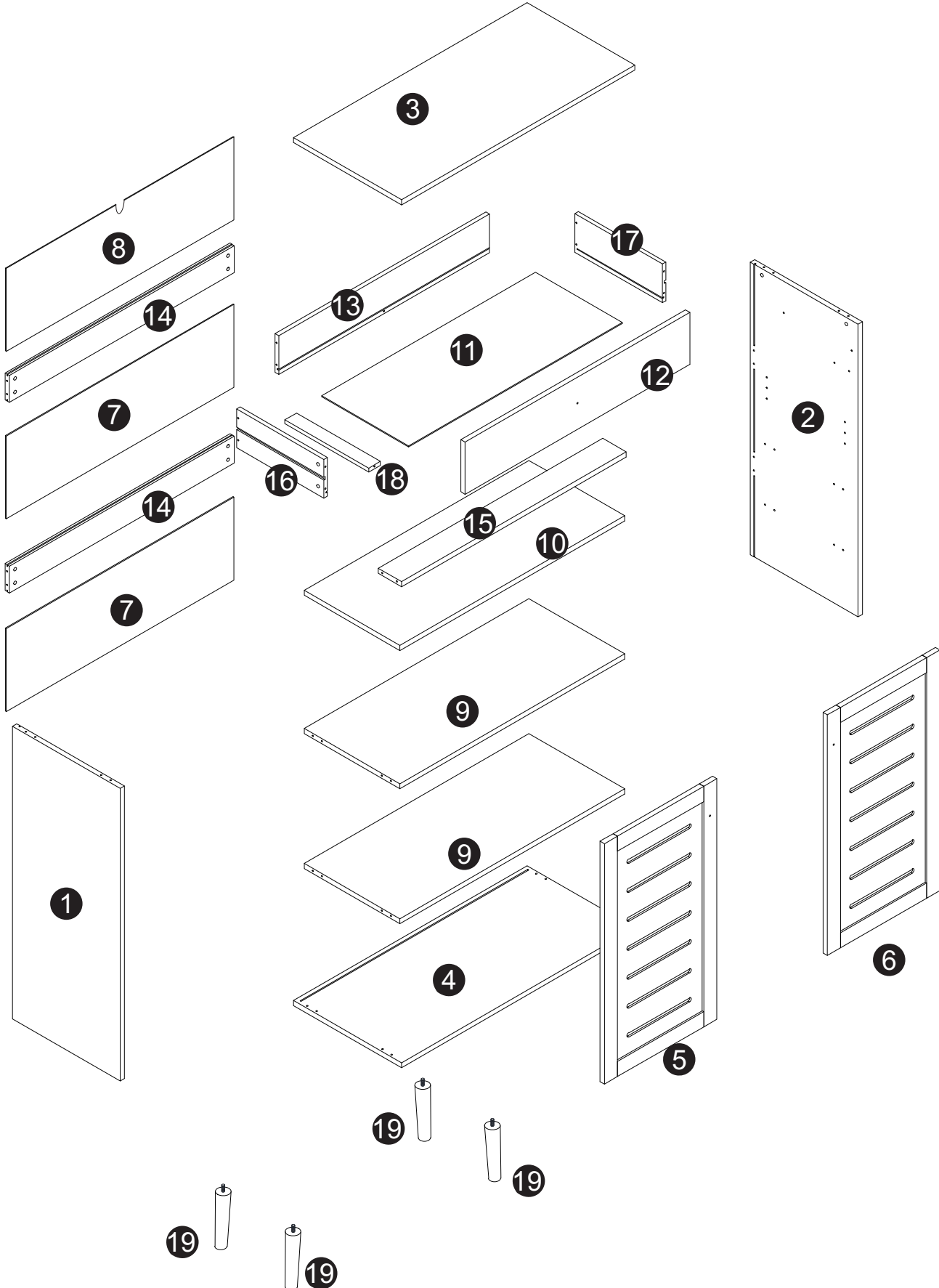
Install your new product with care, following the instructions step-by-step. Do not skip any steps. Care fully distinguish between left and right components. Do not over-tighten screws or use power tools, as this may damage the product.

### Tools You May Need

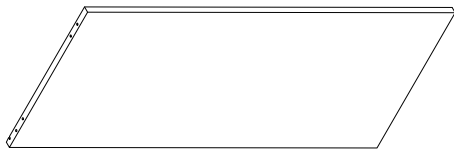
\*You might need a screwdriver (+/-) to complete this assembly.



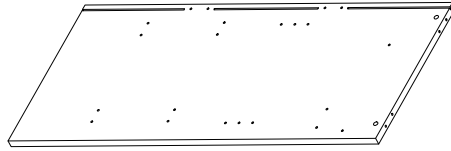
# PARTS



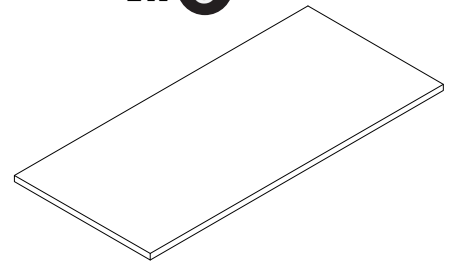
1x ①



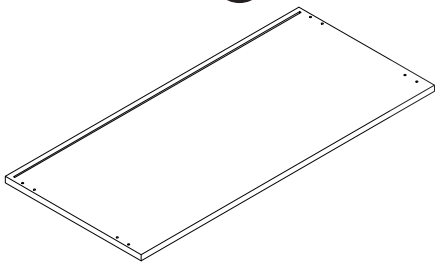
1x ②



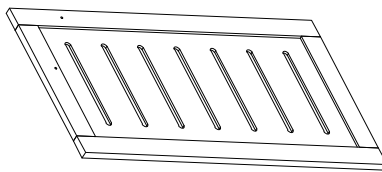
1x ③



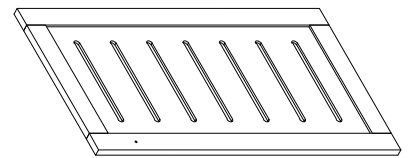
1x ④



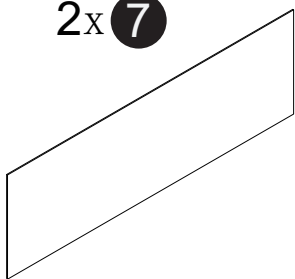
1x ⑤



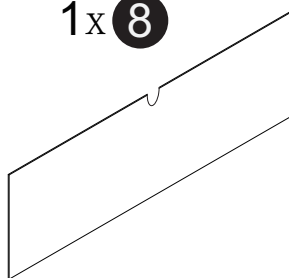
1x ⑥



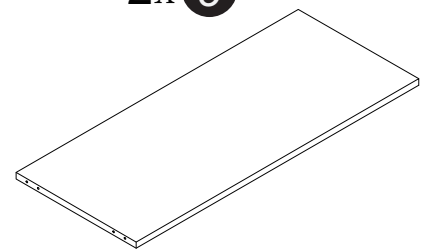
2x ⑦



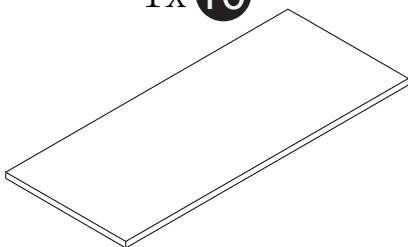
1x ⑧



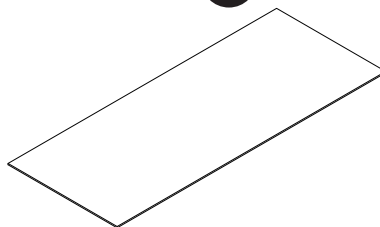
2x ⑨



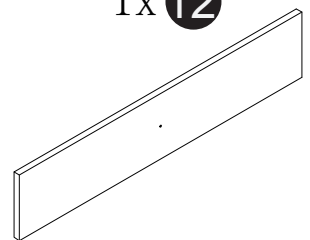
1x ⑩



1x ⑪

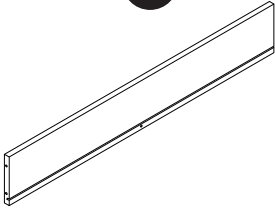


1x ⑫



---

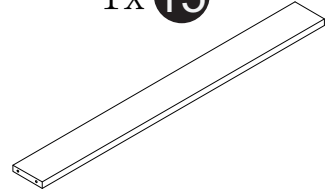
1x 13



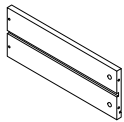
2x 14



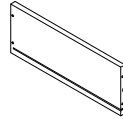
1x 15



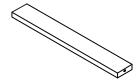
1x 16



1x 17

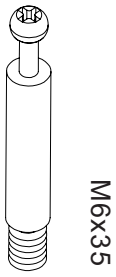


1x 18

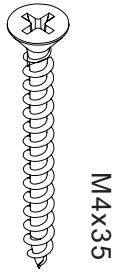


4x 19

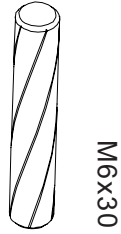




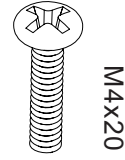
**Ax29**  
(+3)



**Bx10**  
(+1)



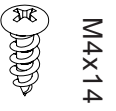
**Cx16**  
(+2)



**Dx3**



**Ex24**  
(+4)



**Fx17**  
(+2)



**Gx12**  
(+2)



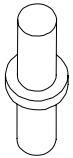
**Hx6**



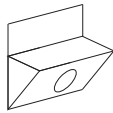
**Ix2**



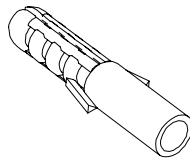
**Jx29**  
(+3)



**Kx4**

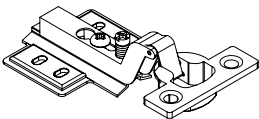


**Px12**  
(+1)

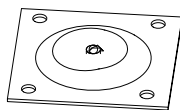


**Qx1**

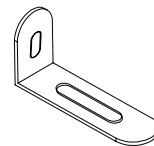
Scale 1 : 1



**Mx4**



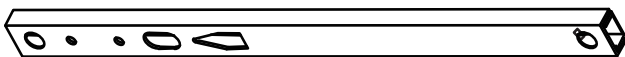
**Nx4**



**Ox1**

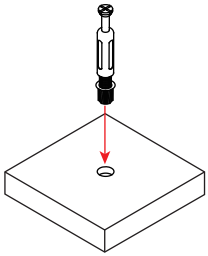


**Lx3**

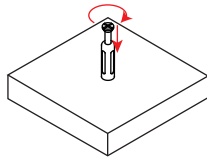


**Rx2**

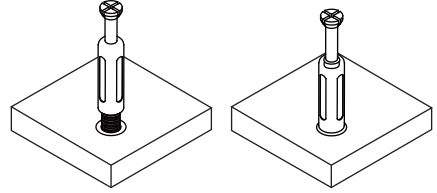
# NOTED:



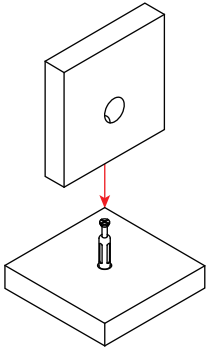
1. Install the screw rod



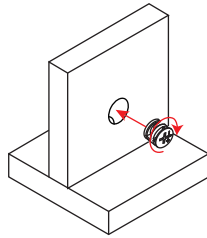
2. Tighten the screw rod clockwise



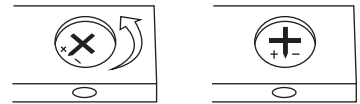
3. Pay attention to tightening the screw rod





4. Installation plate

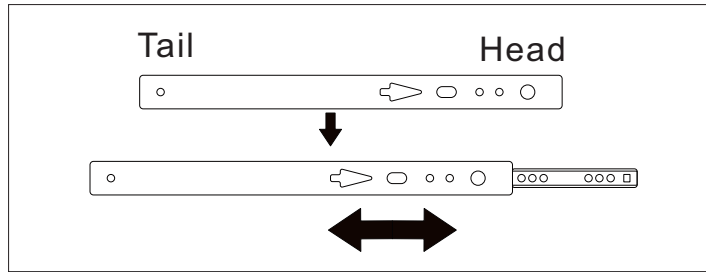


5. Align the arrow of the eccentric component with the screw rod

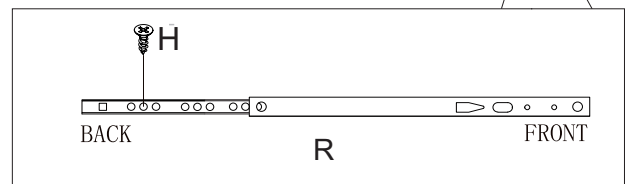
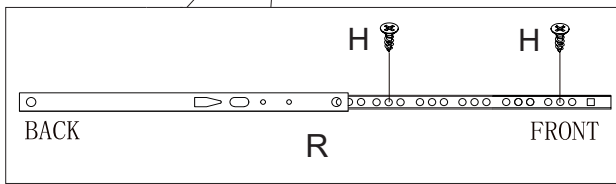
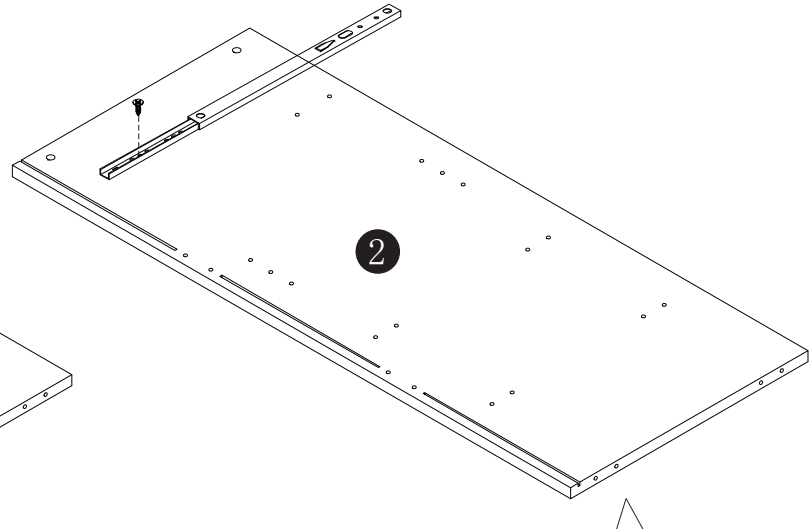
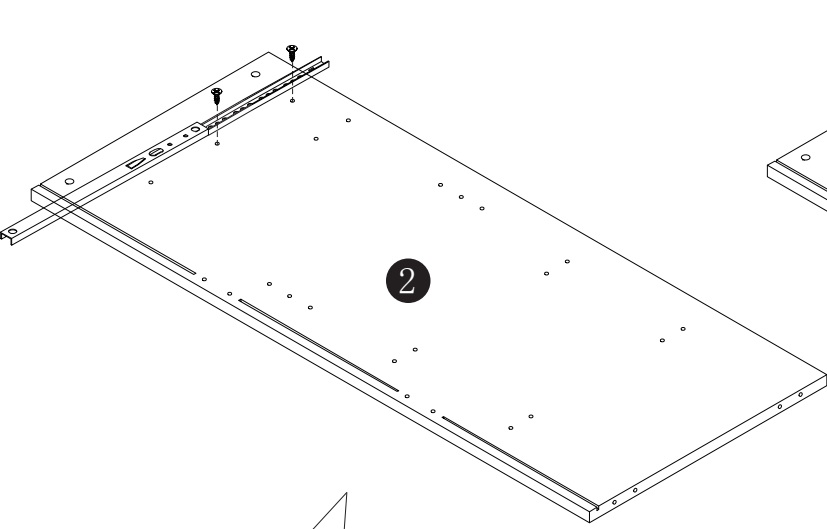


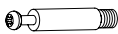
6. Pay attention to aligning the arrow of the eccentric part with the screw rod

H		3
R		1

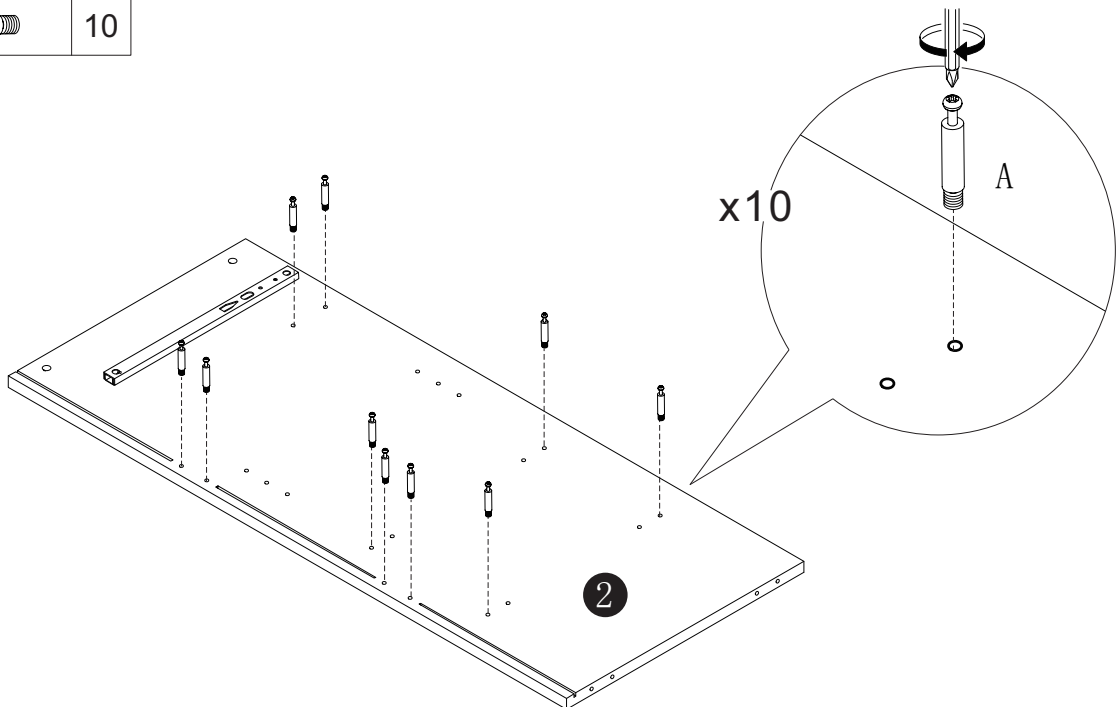




1

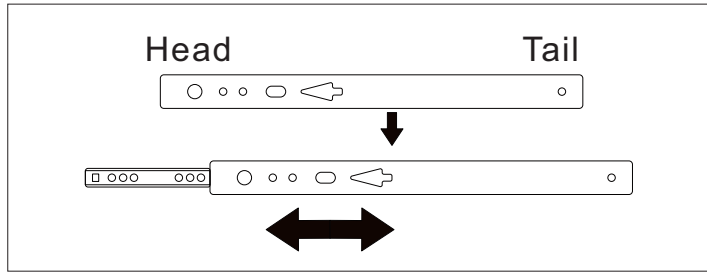


A		10
---	---	----

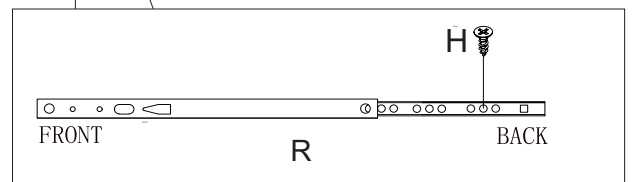
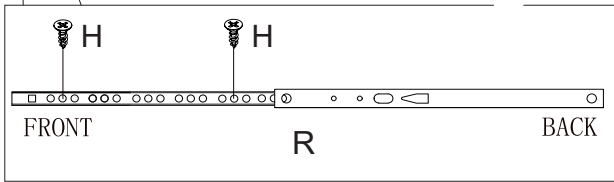
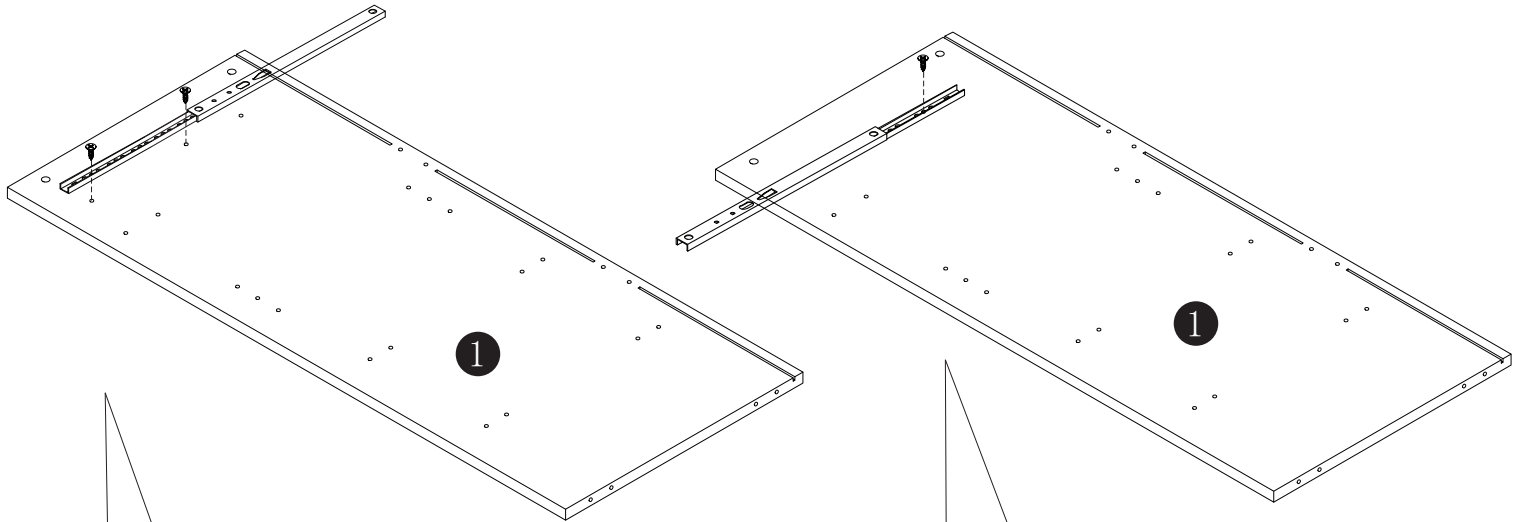
2

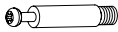


H		3
R		1

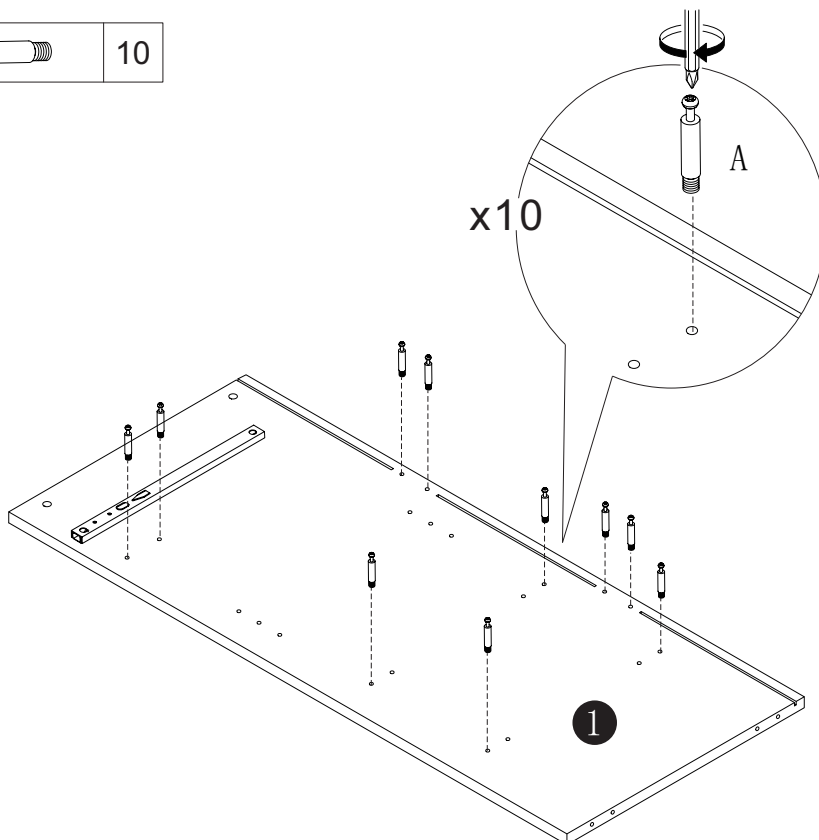


3

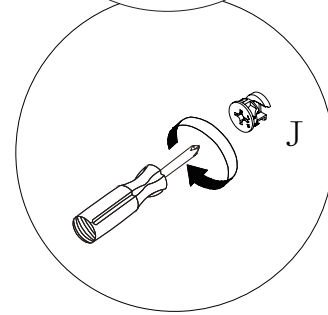
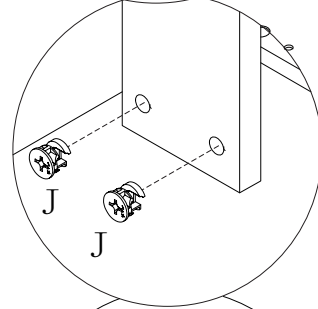
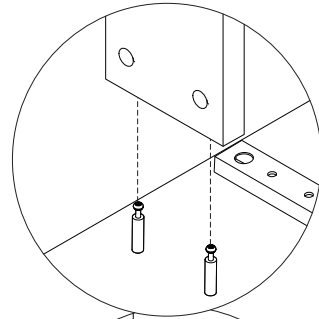
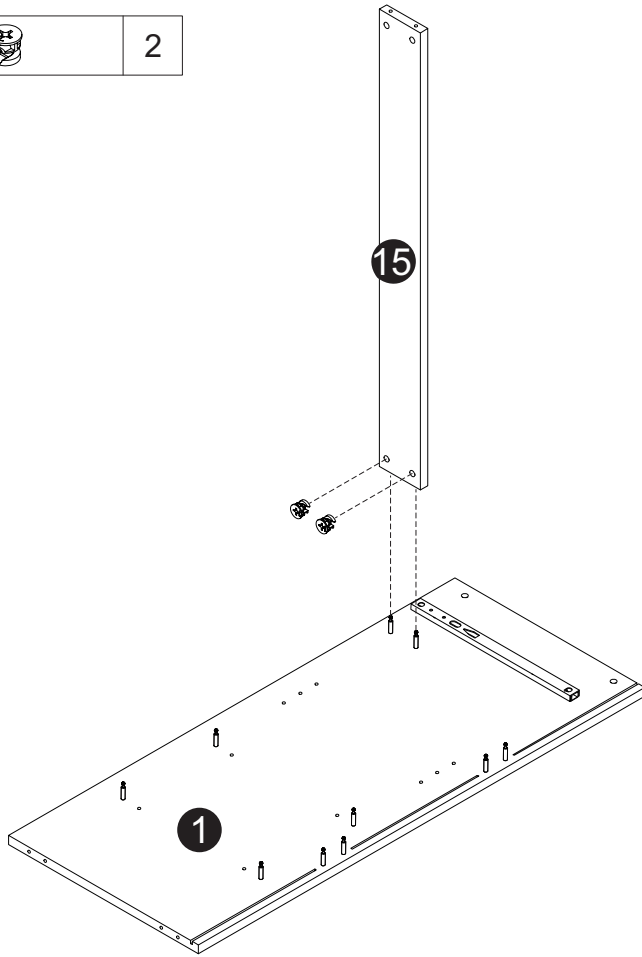


A		10
---	---	----

4

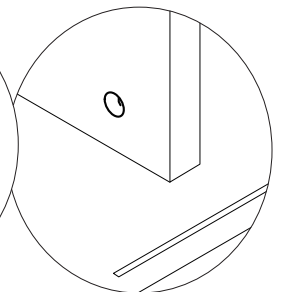
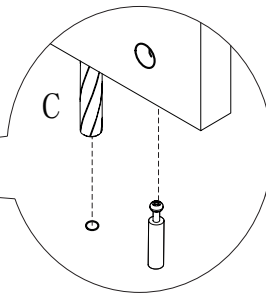
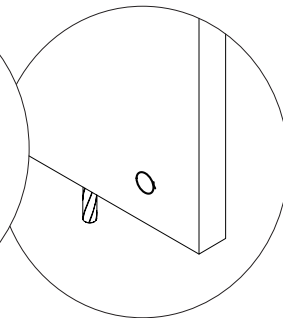
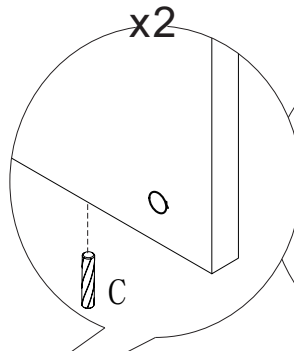
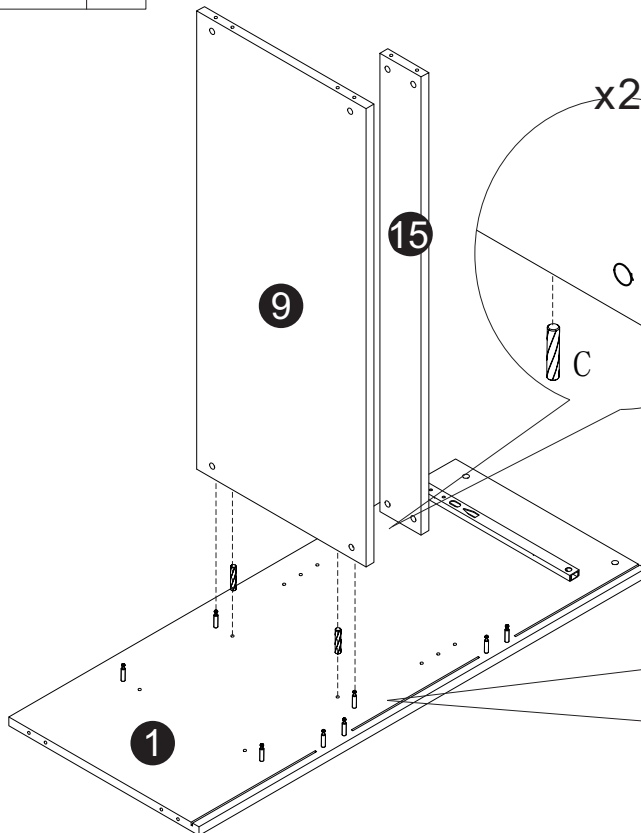


J		2
---	---	---



5

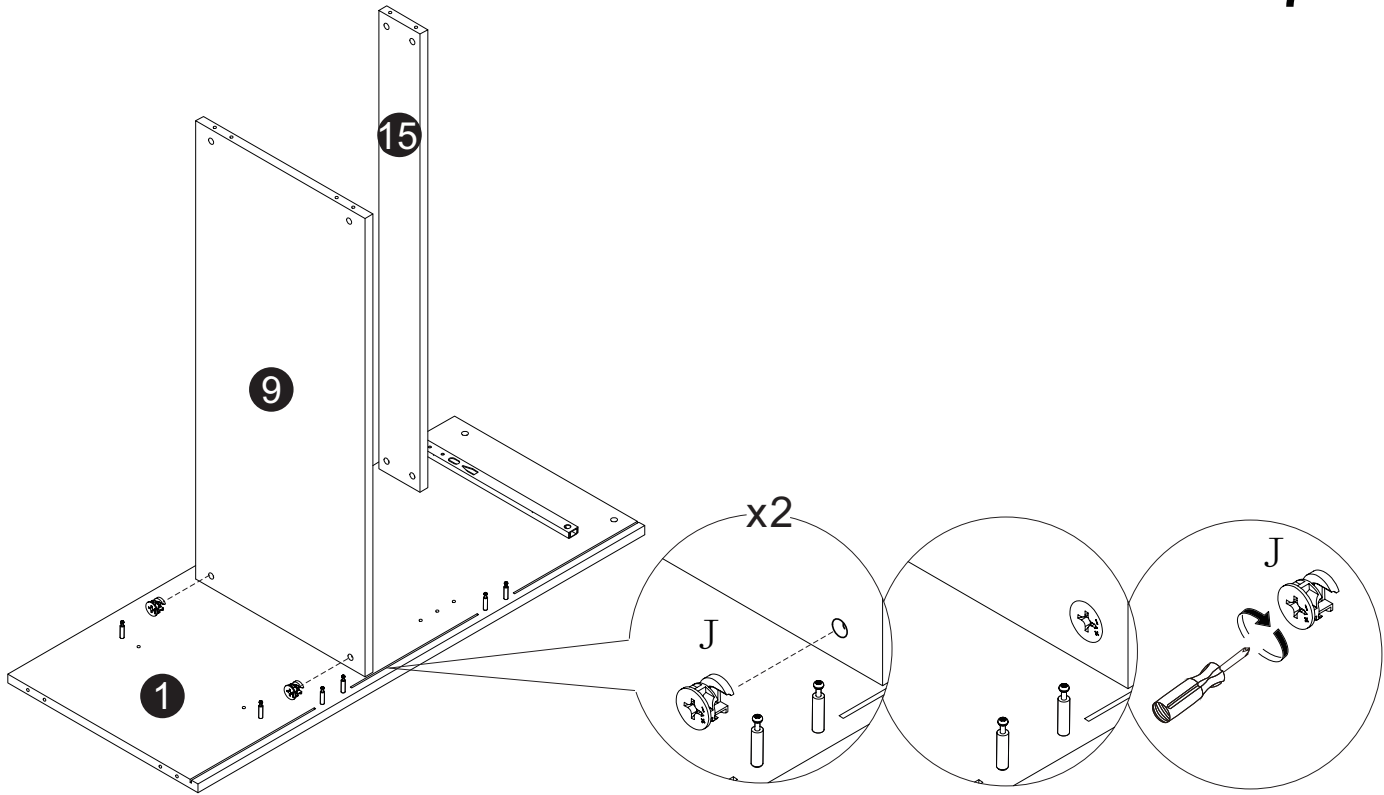
C		2
---	---	---



6

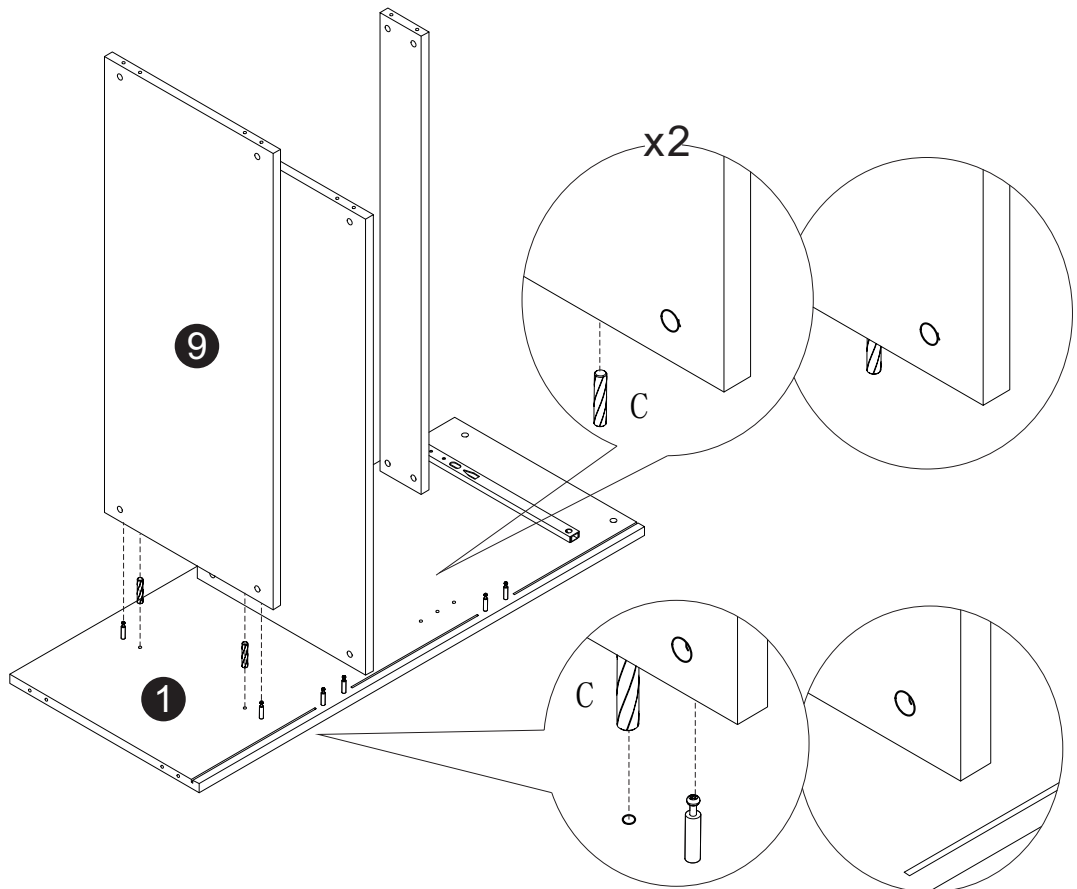
J		2
---	---	---

7



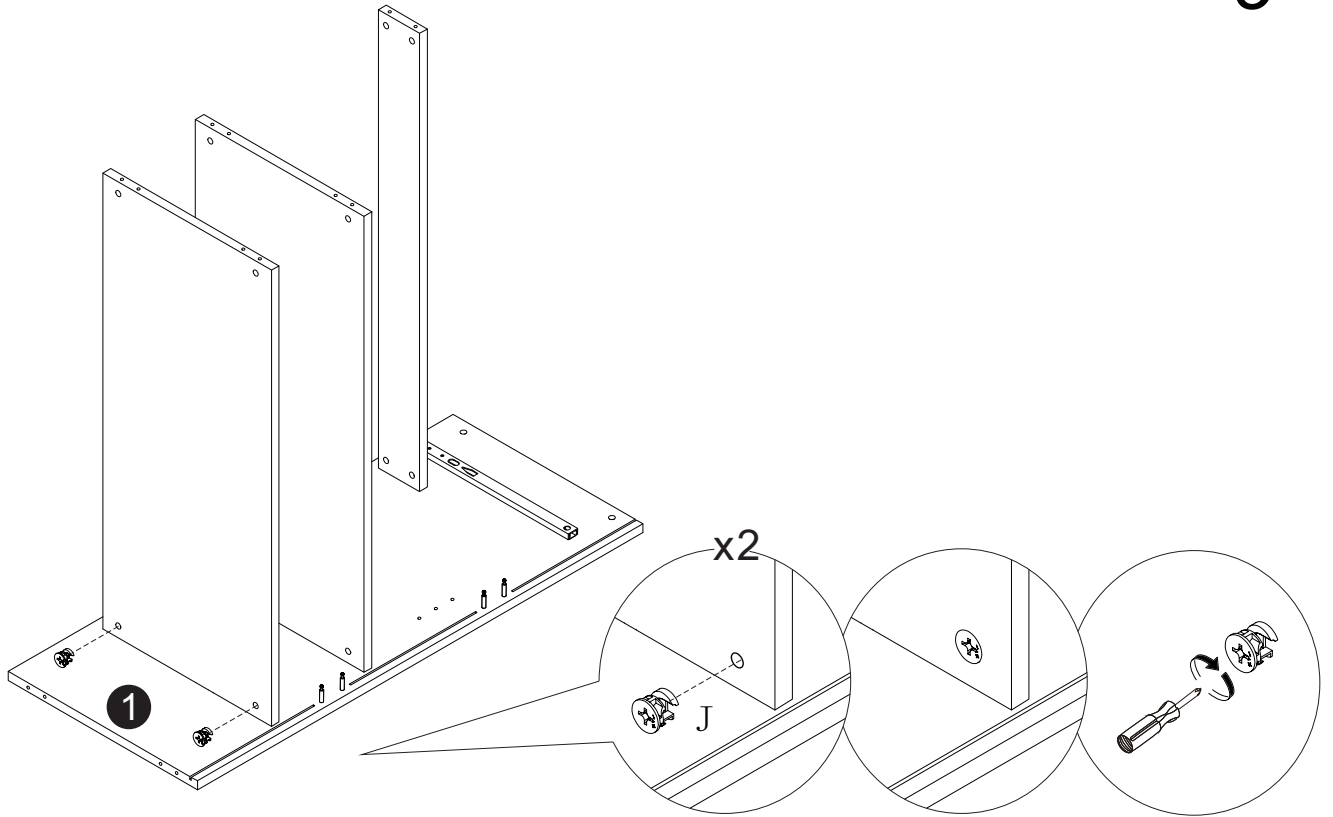
C		2
---	---	---

8



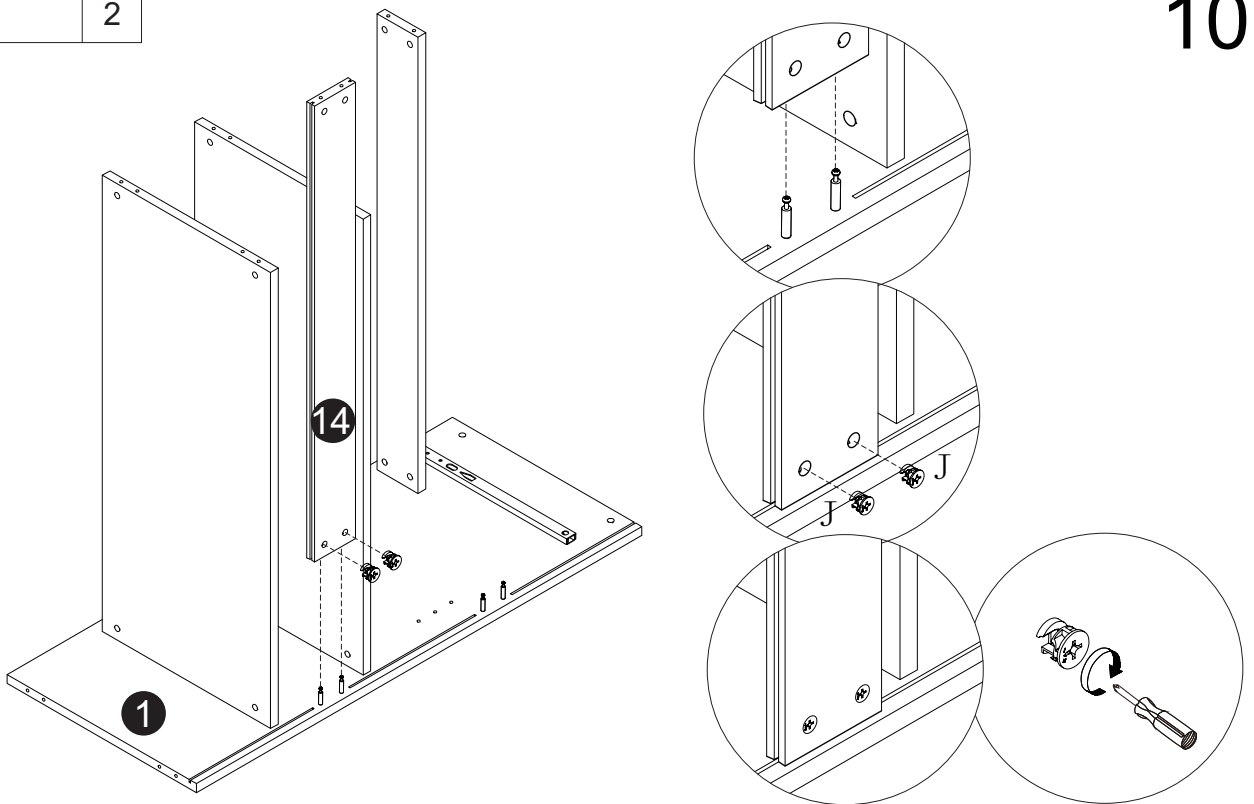
J		2
---	---	---

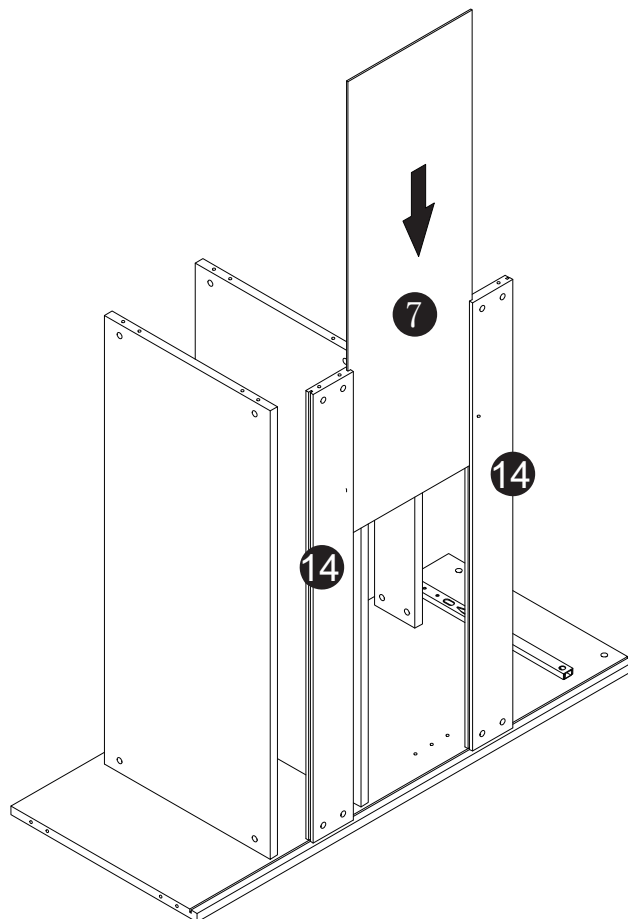
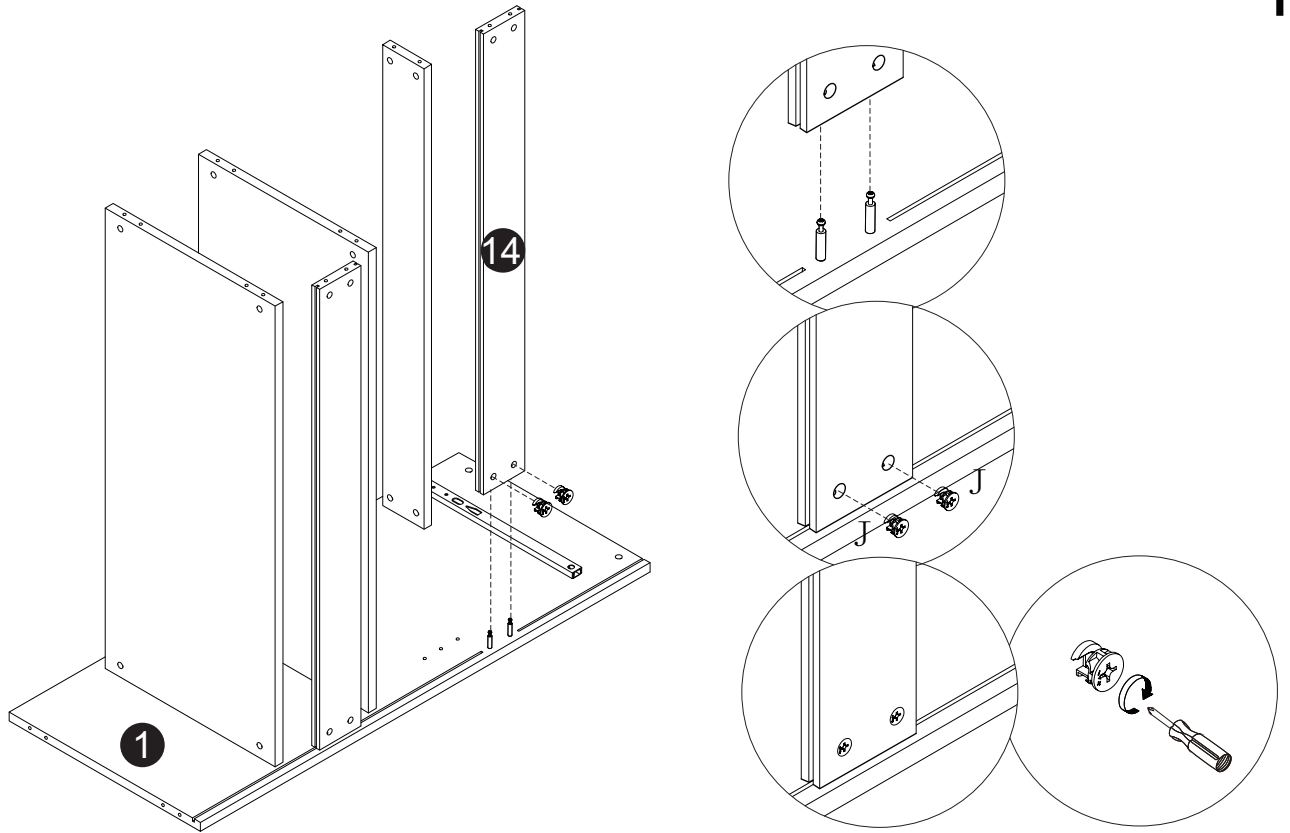
9



J		2
---	---	---

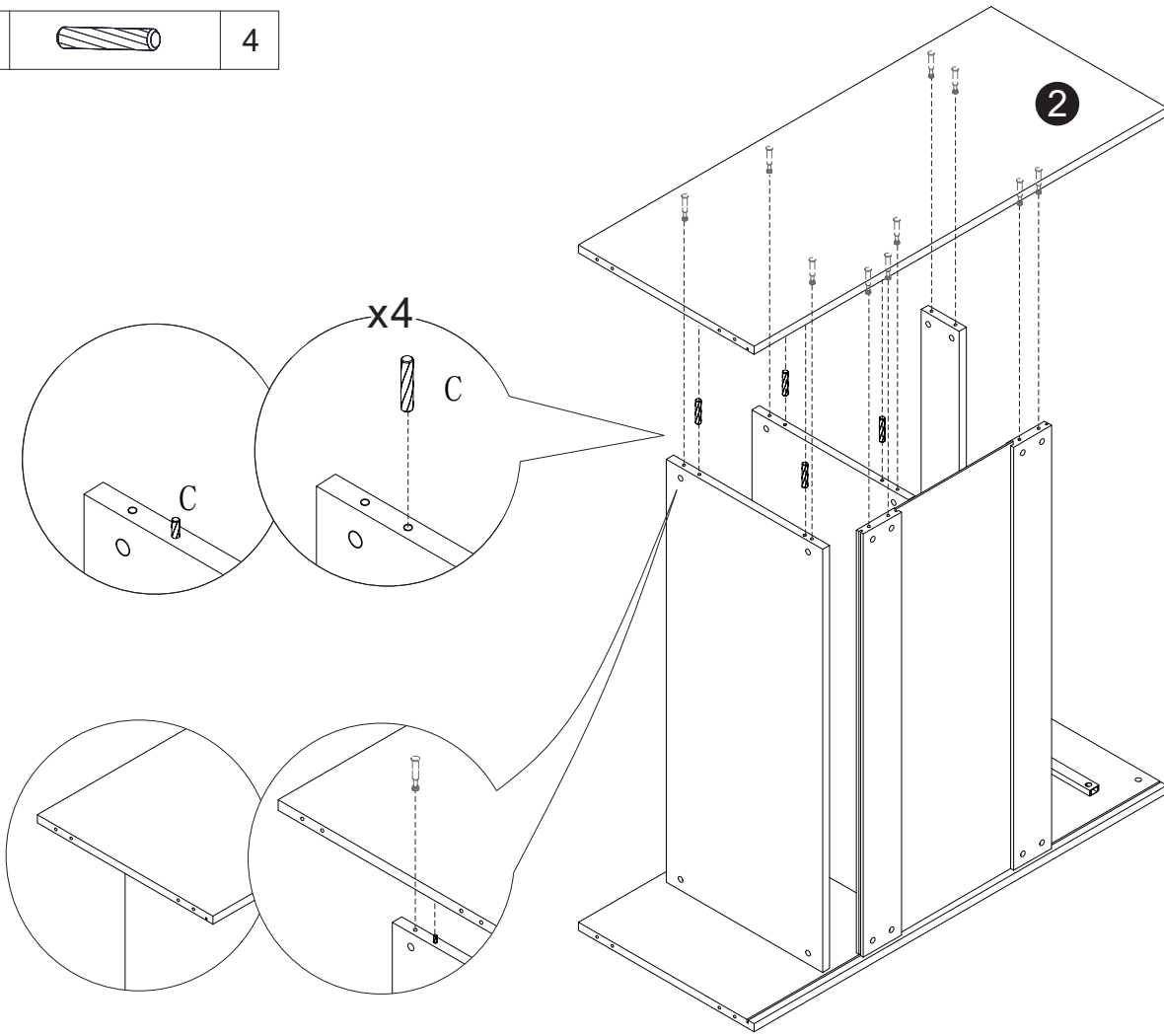
10





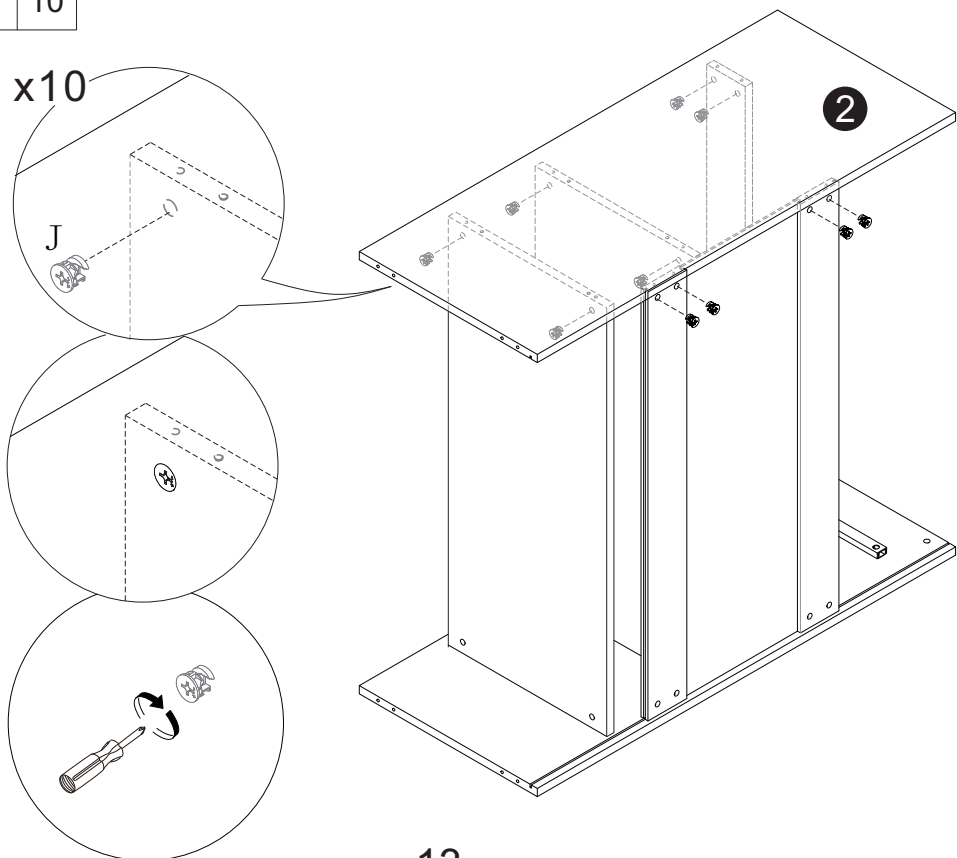
C		4
---	---	---

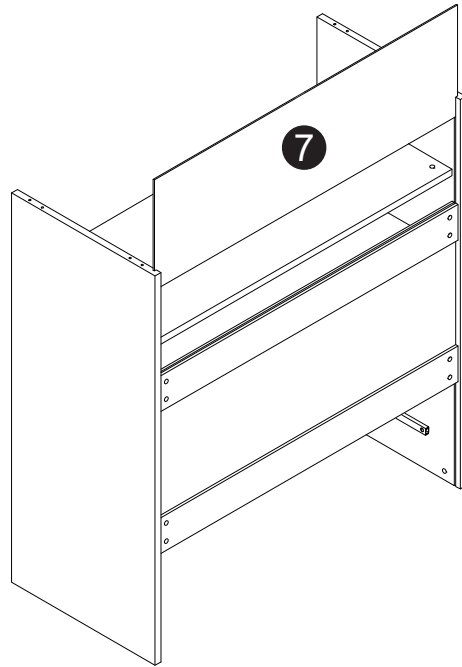
13



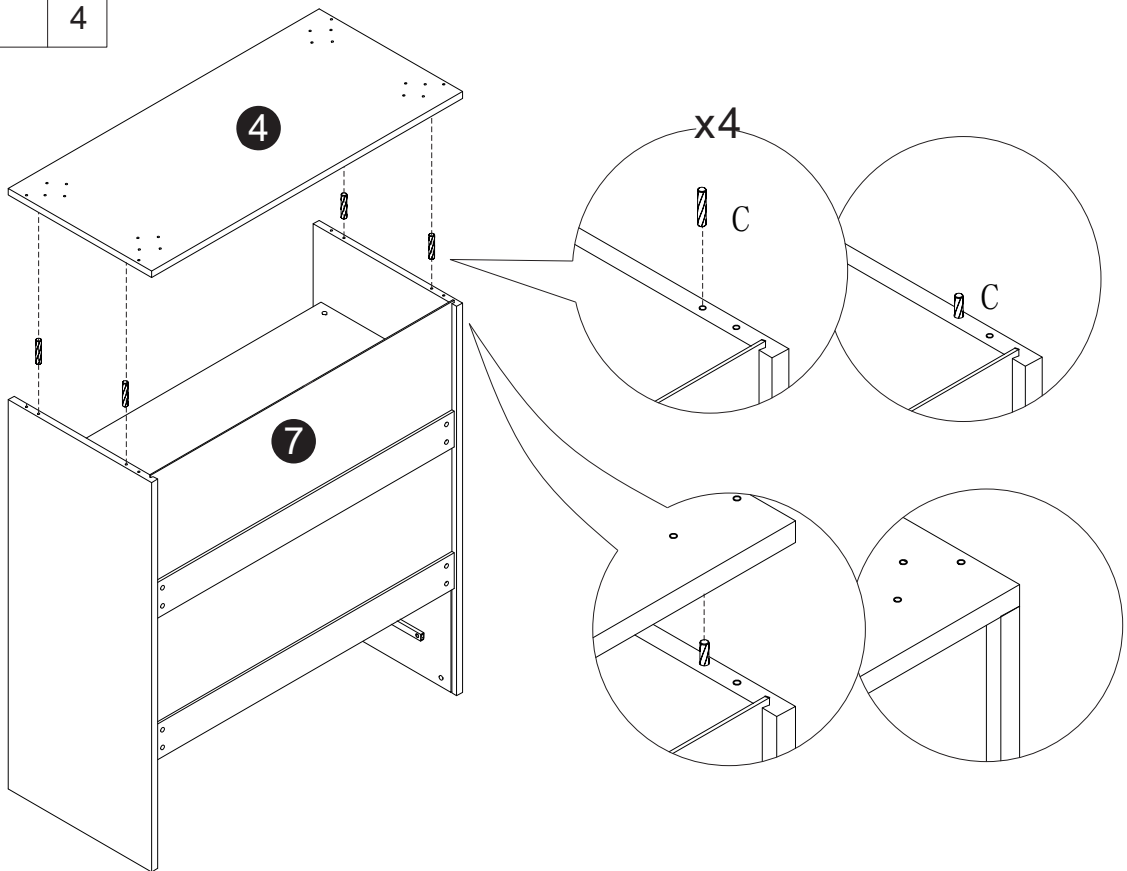
J		10
---	---	----

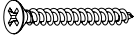
14



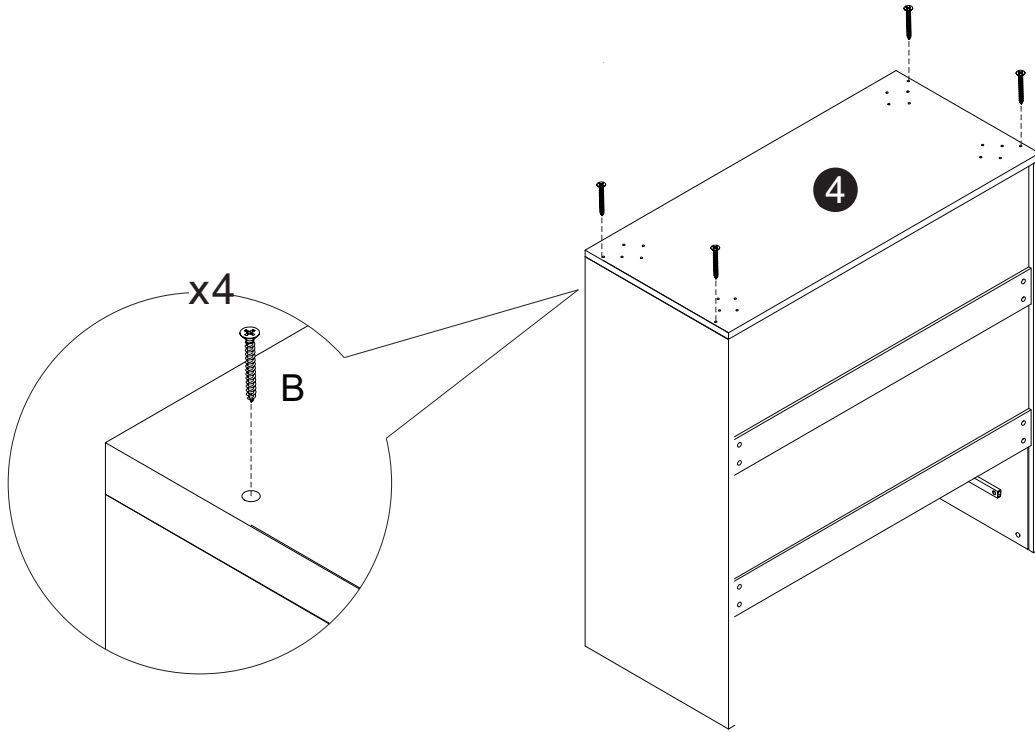



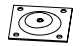
C		4
---	---	---



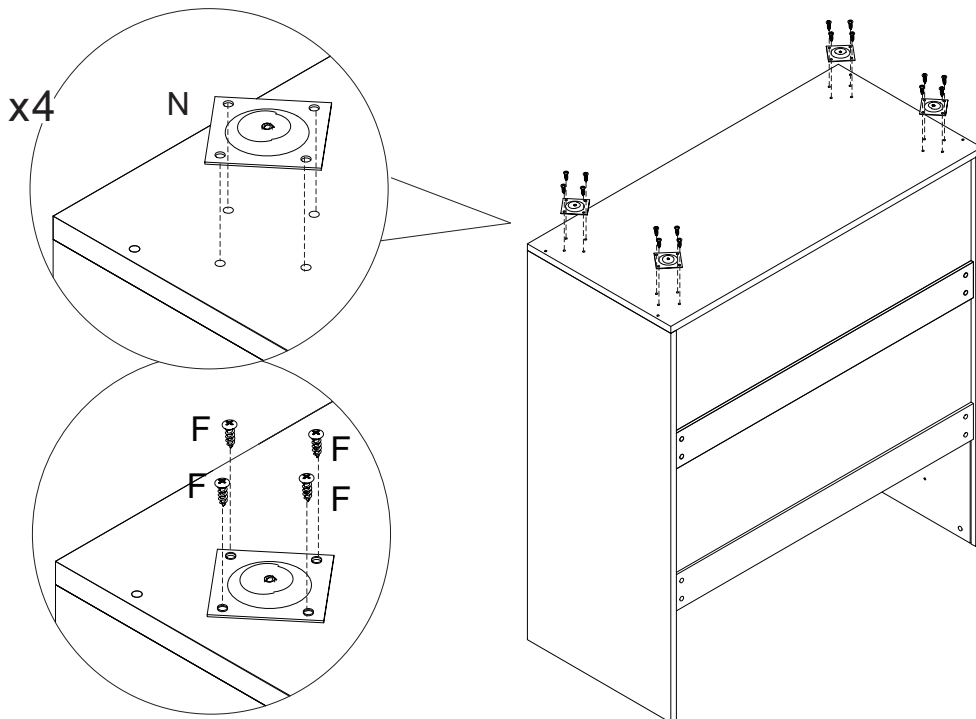
B		4
---	---	---

17

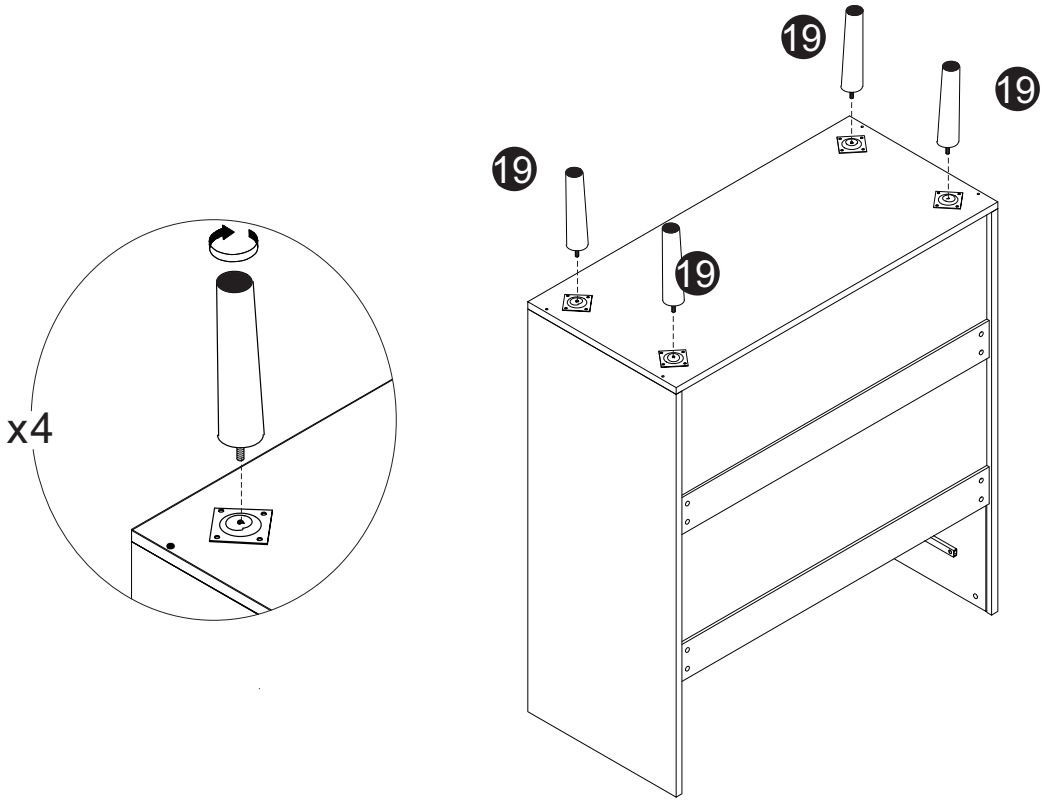


F		16
N		4

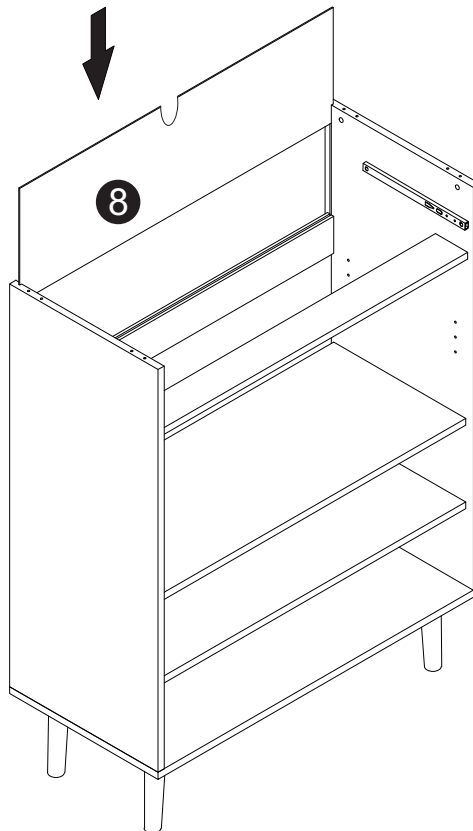
18




19

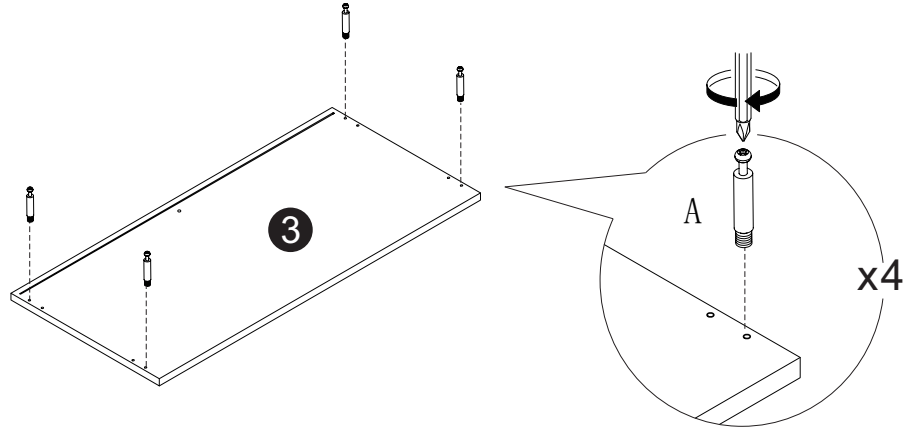




20



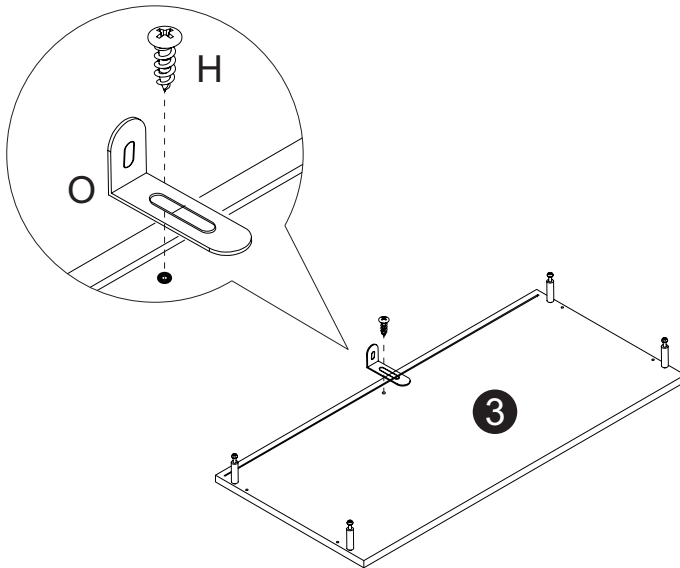
A		4
---	---	---

21



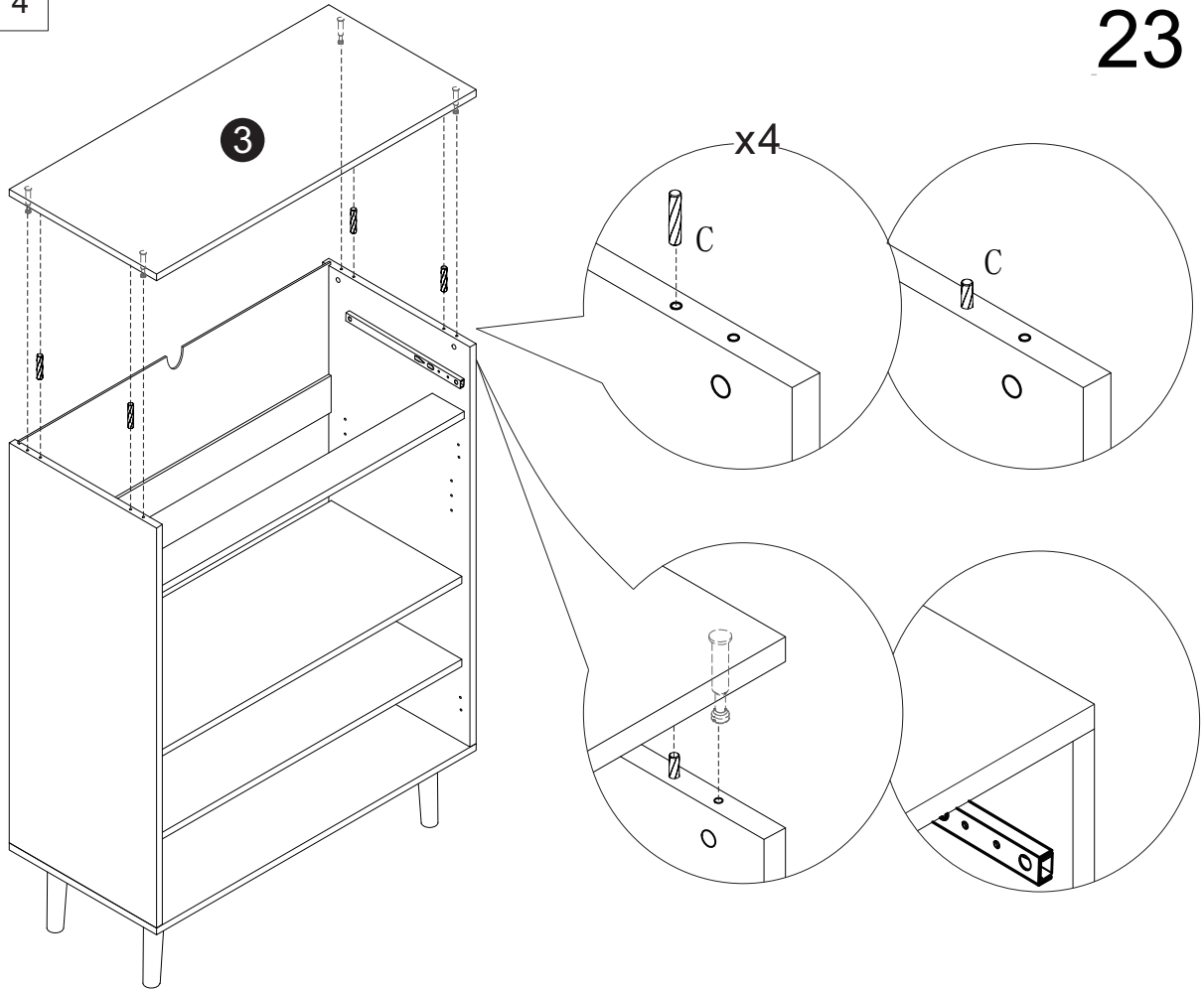
F		1
O		1

22



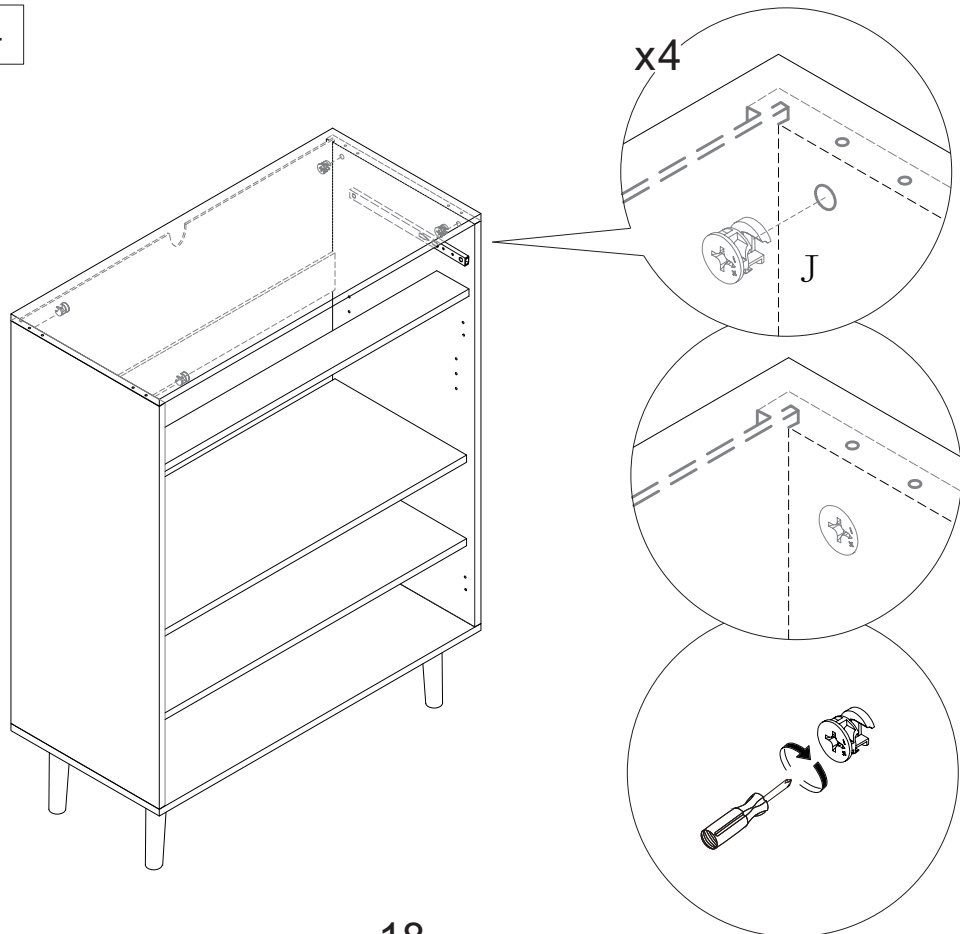
C		4
---	---	---


23

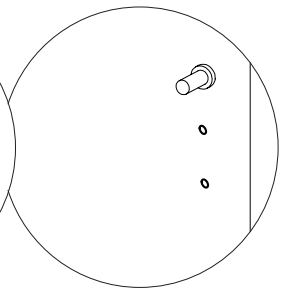
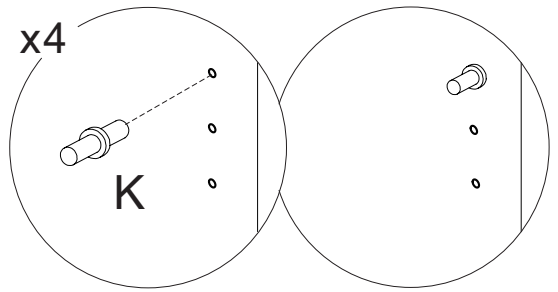
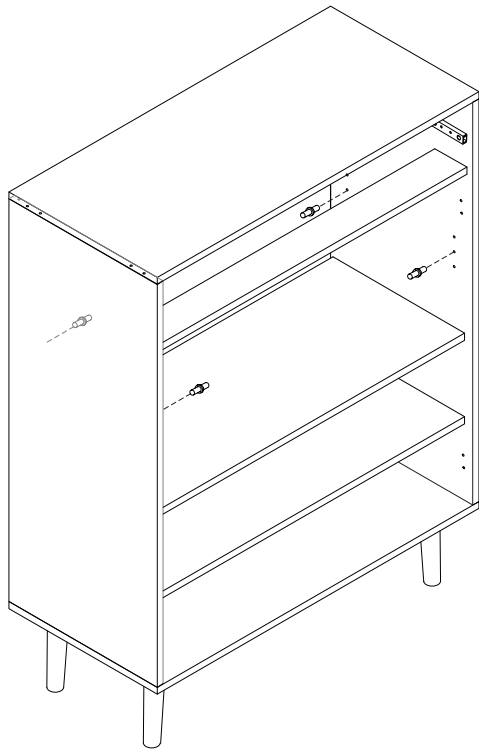


J		4
---	---	---

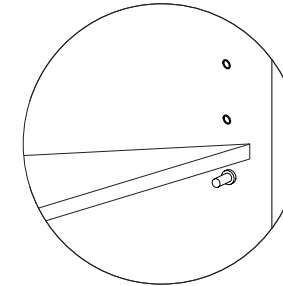
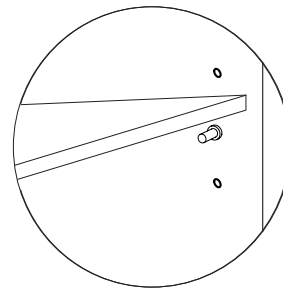
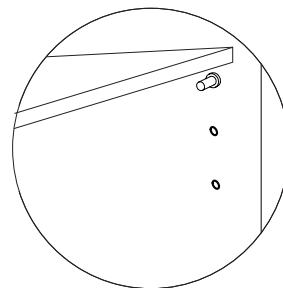
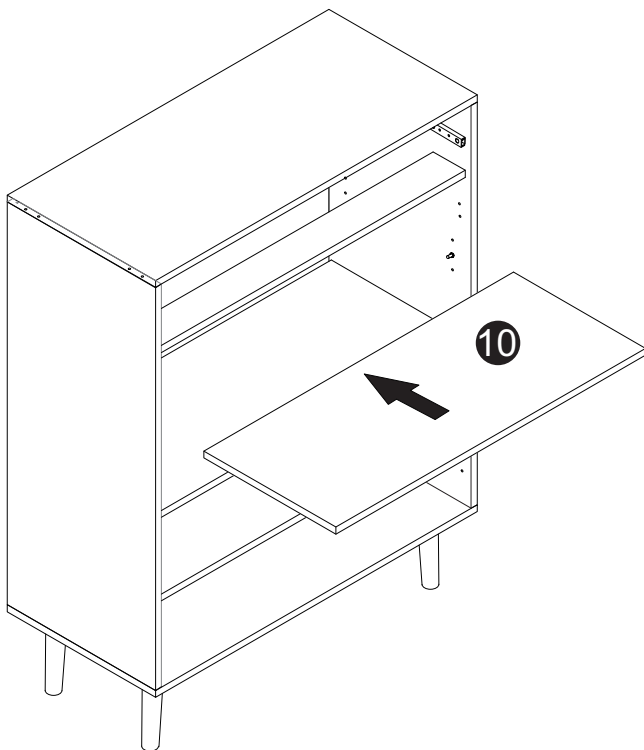
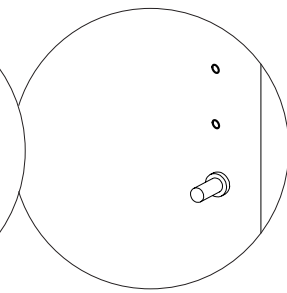
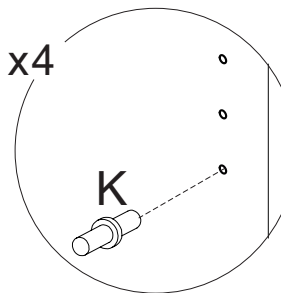
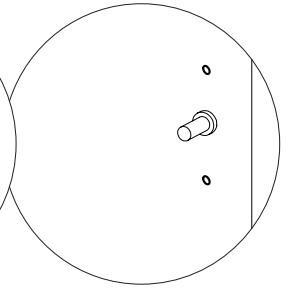
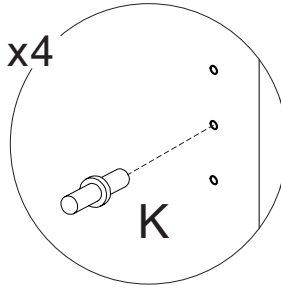
24





K		4
---	---	---



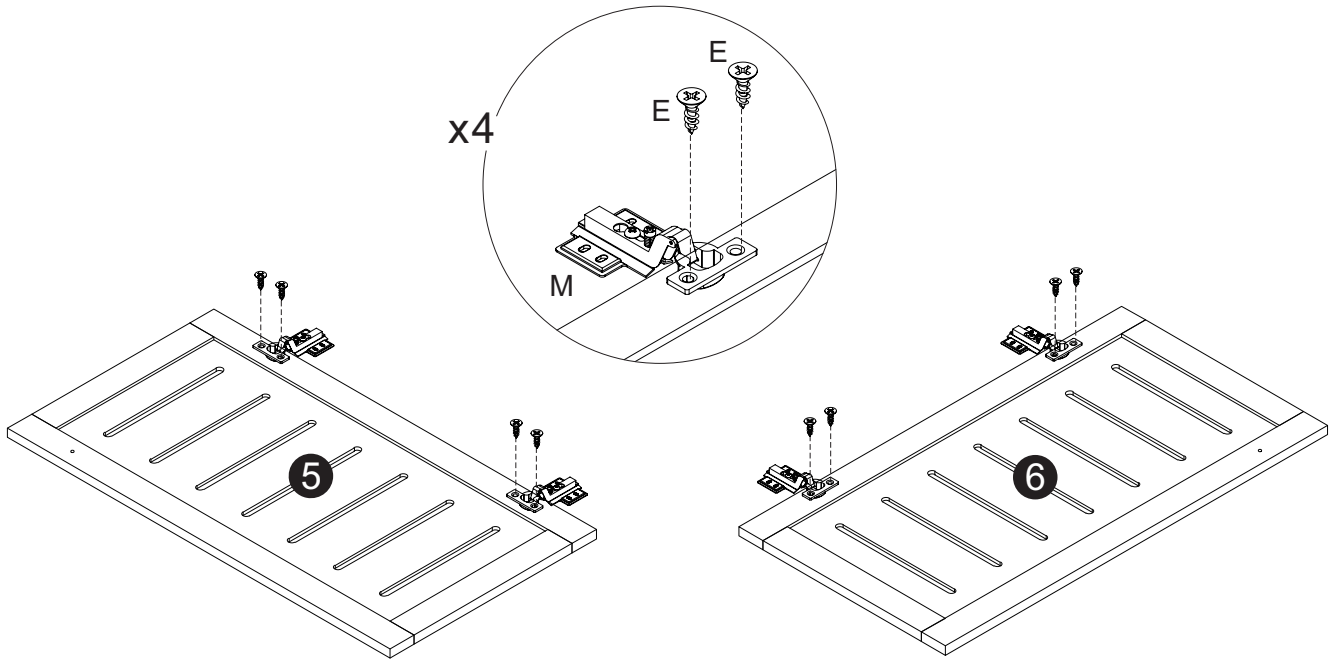
25





26

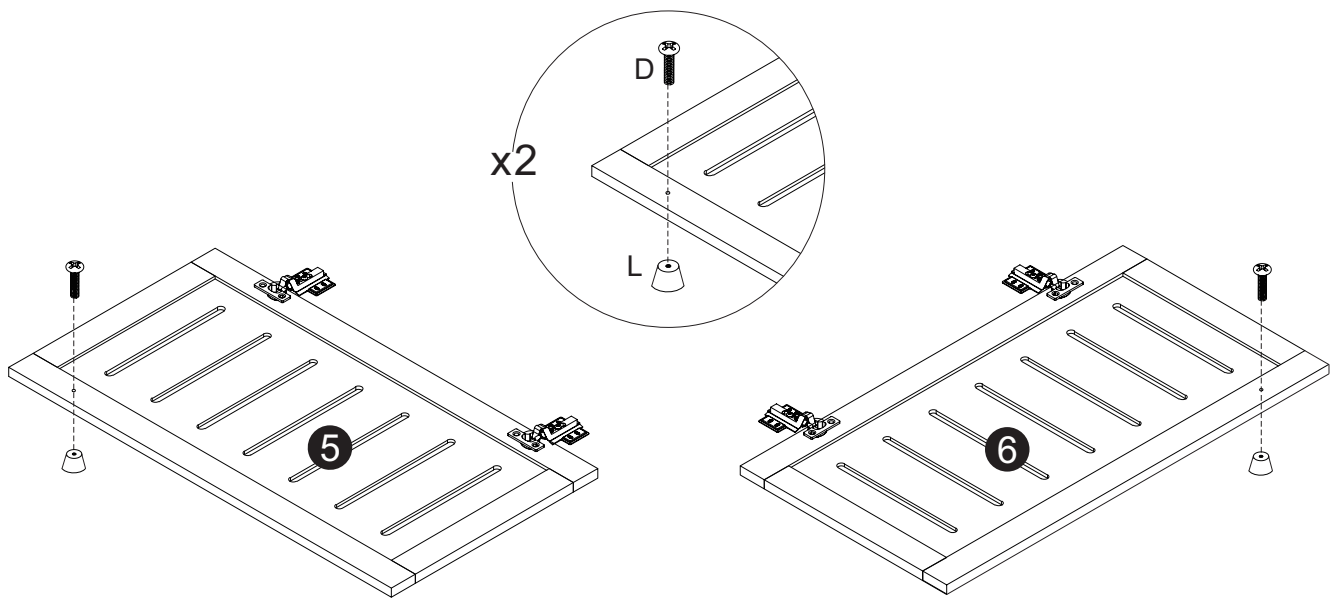
E		8
M		4

27



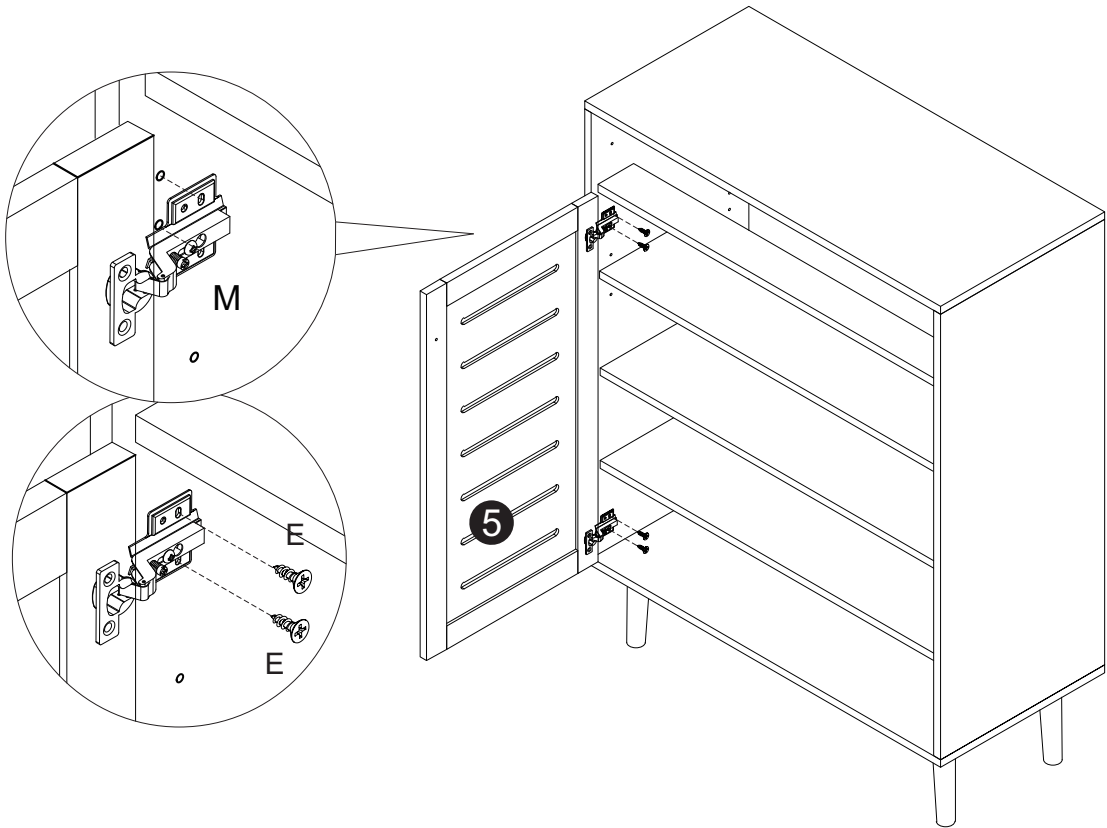
D		2
L		2

28



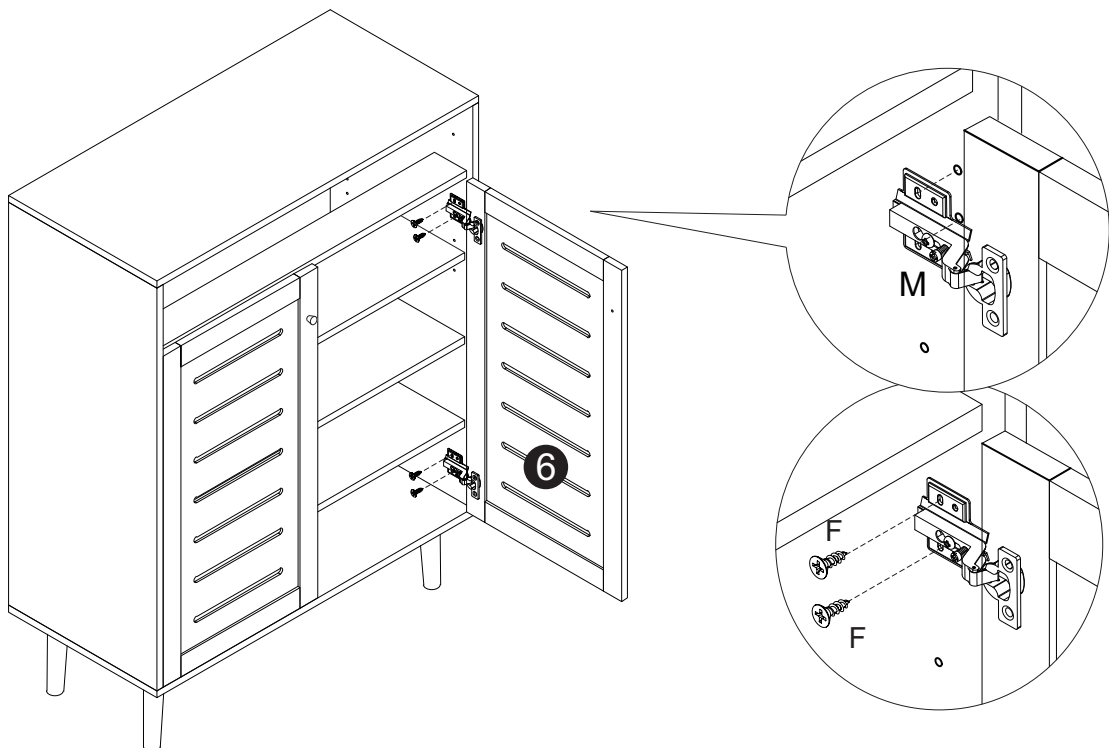
E		4
---	---	---

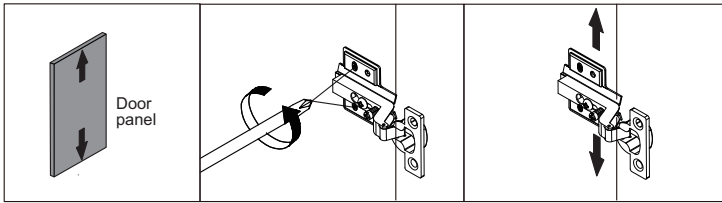
29



E		4
---	---	---

30



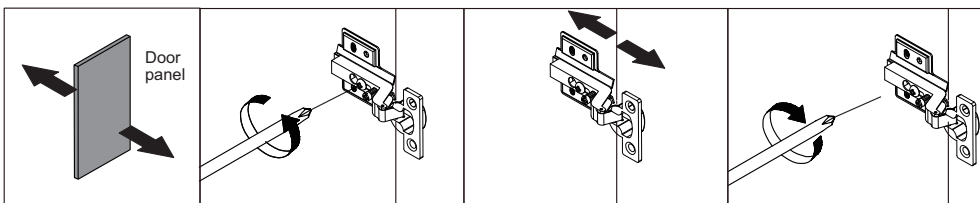


#### Up-Down Direction

##### Adjustment:

Rotate the screws on the door hinges shown in the image. The door panel can be moved up-down.

Adjustment range: 4mm

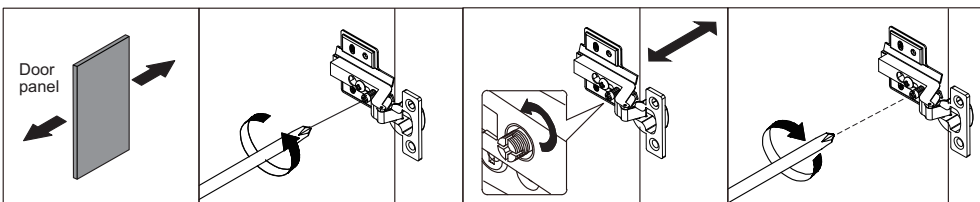


#### Left-Right Direction

##### Adjustment:

Rotate the screws on the door hinges shown in the image. The door panel can be moved left-right.

Adjustment range: 3mm

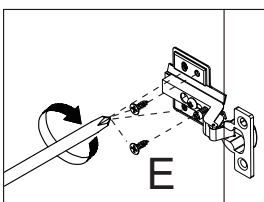


#### Front-to-Back Direction



##### Adjustment:

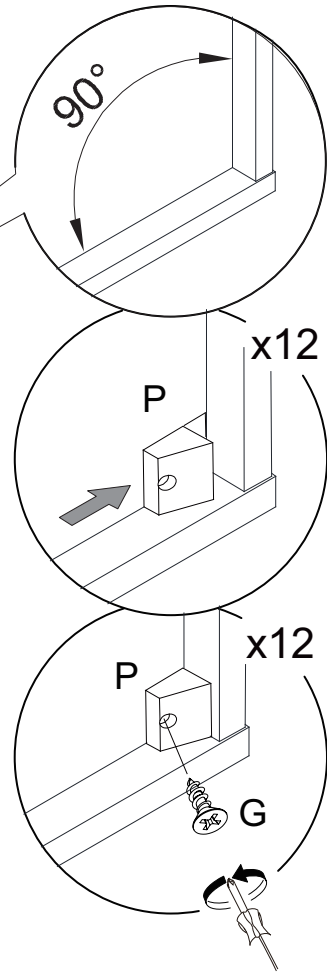
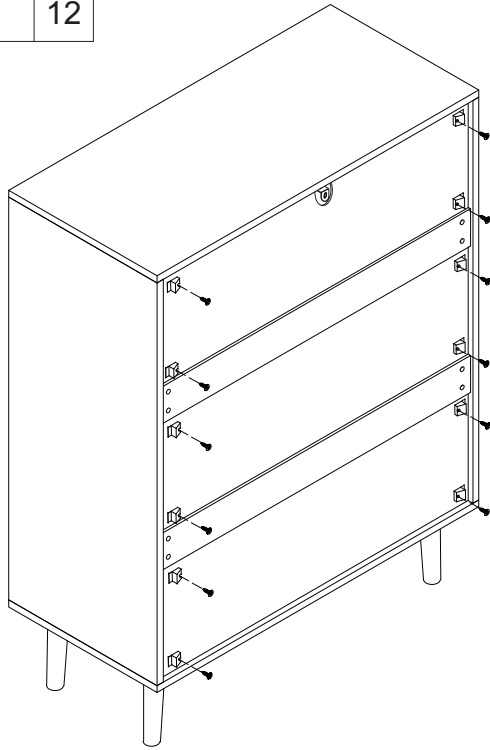
Rotate the screws on the door hinges shown in the image. The door panel can be moved front-back.

Adjustment range: 4mm





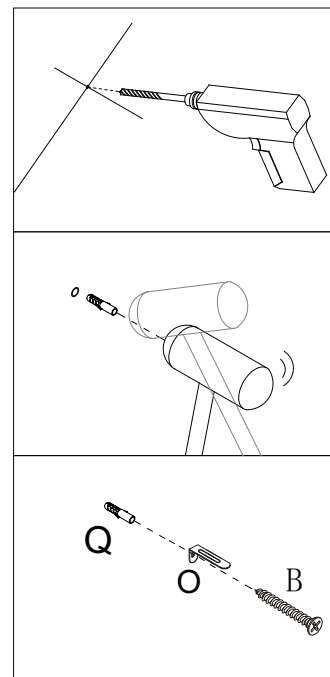
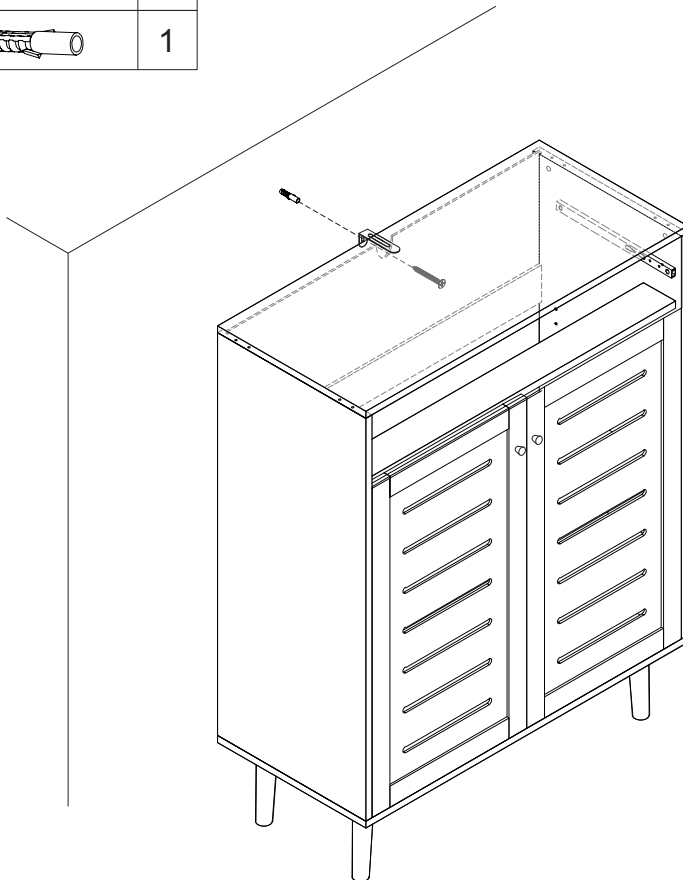
After all adjustments are completed,  
tighten the remaining screws.

G		12
P		12





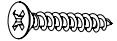
32

B		1
Q		1

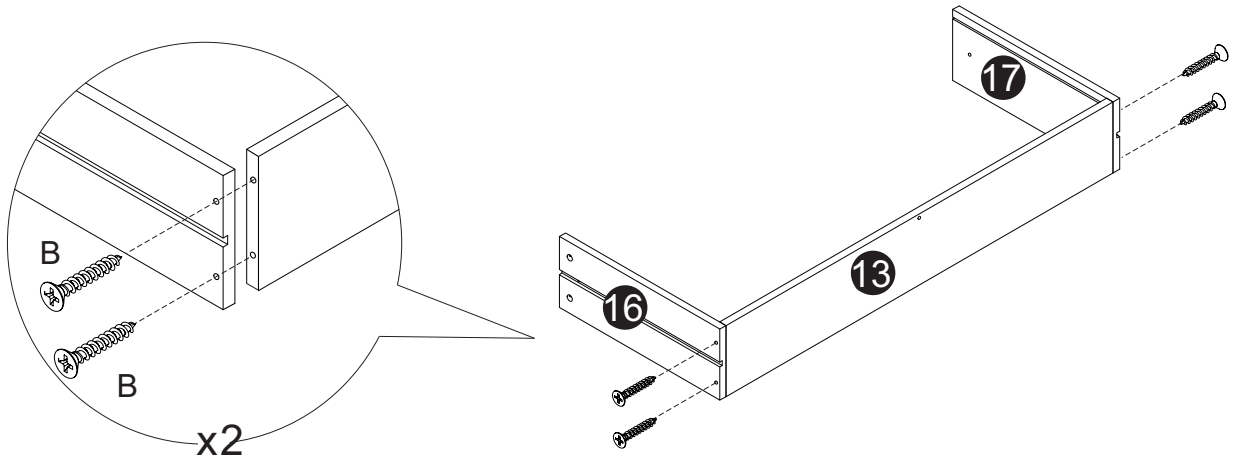



33

	<p>Children have died from furniture tipover. To reduce the risk of furniture tipover, ALWAYS install tipover restraint provided. NEVER put a TV on this product. NEVER allow children to stand, climb or hang on drawers, doors or shelves. NEVER open more than one drawer at a time. Place heaviest items in the lowest drawers. This is a permanent label. Do not remove!</p>
	

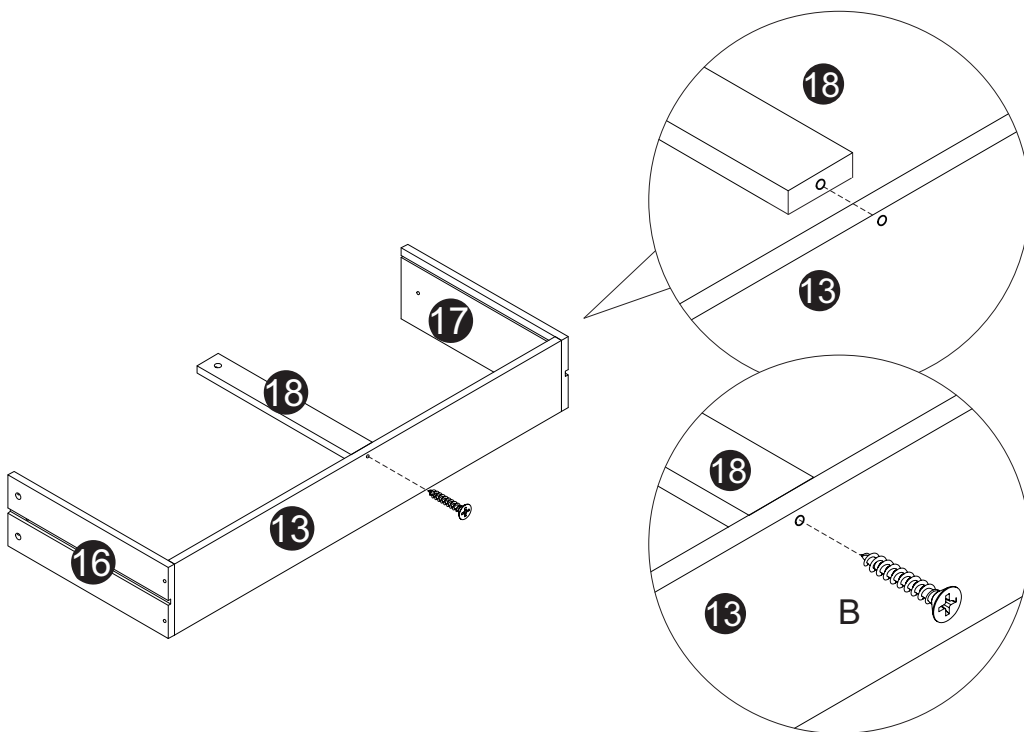
B		4
---	---	---

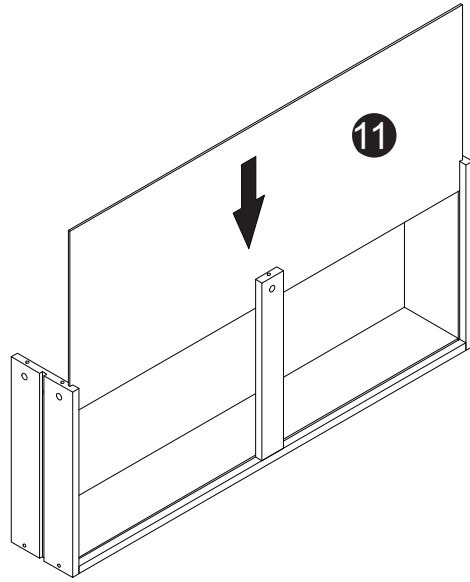
34

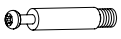


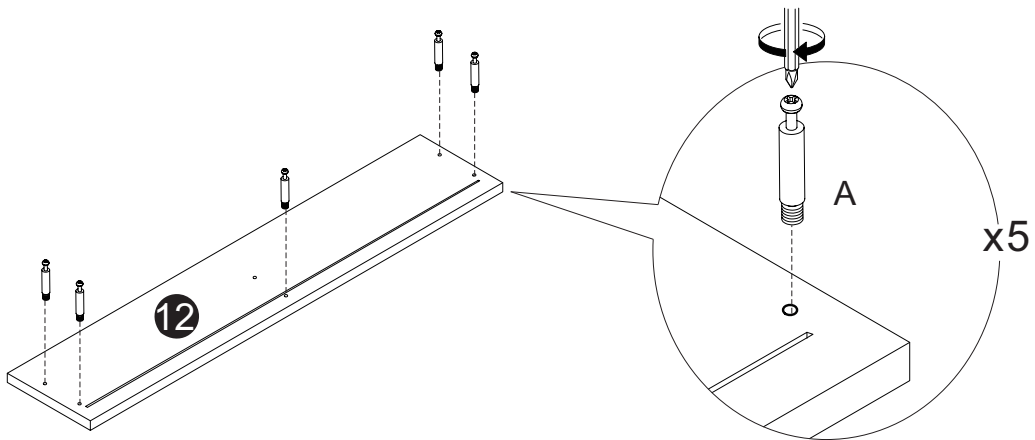
B		1
---	---	---

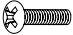

35



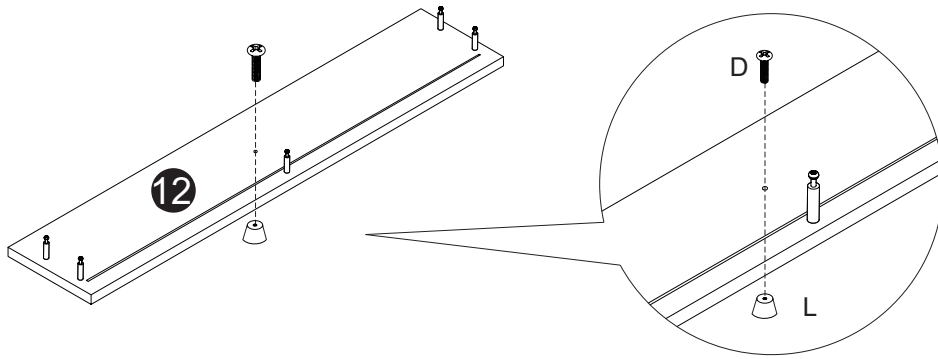


A		5
---	---	---



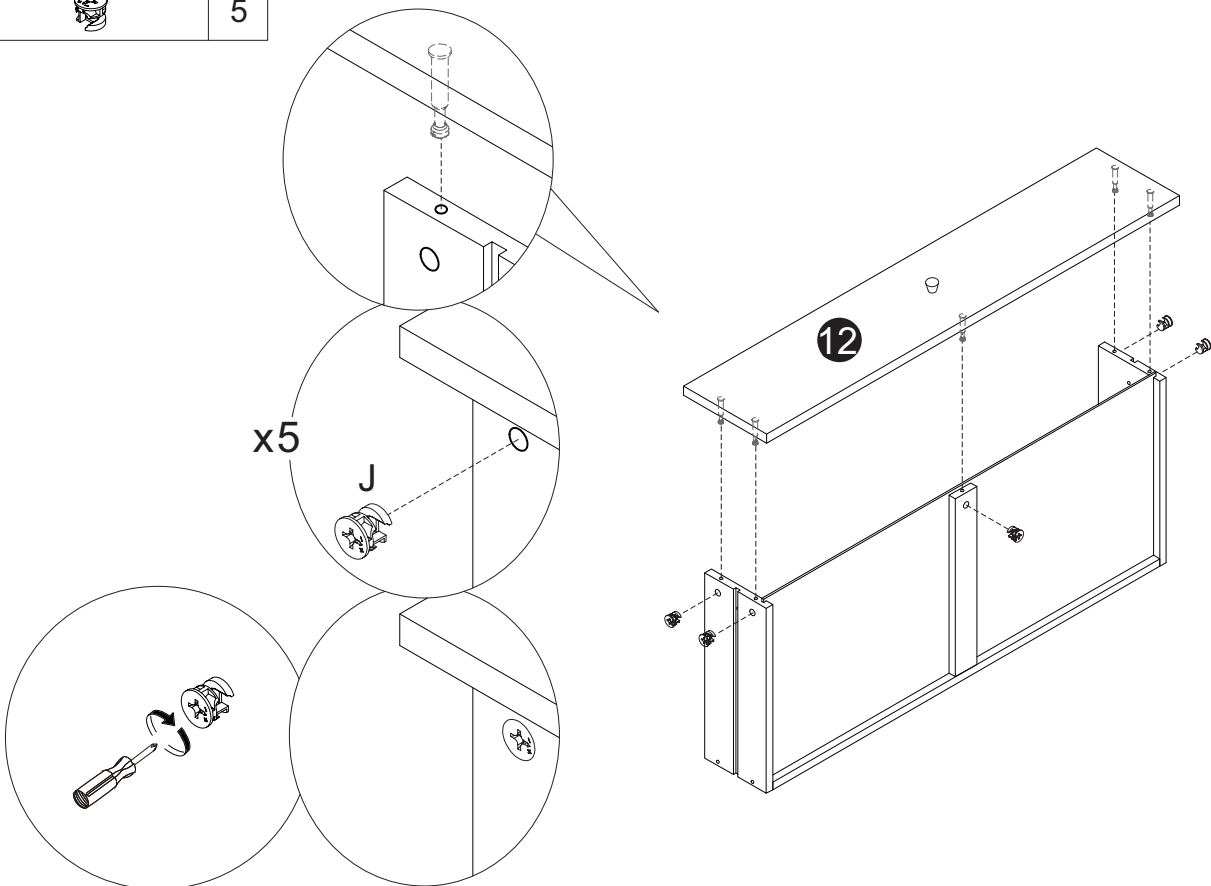
D		1
L		1

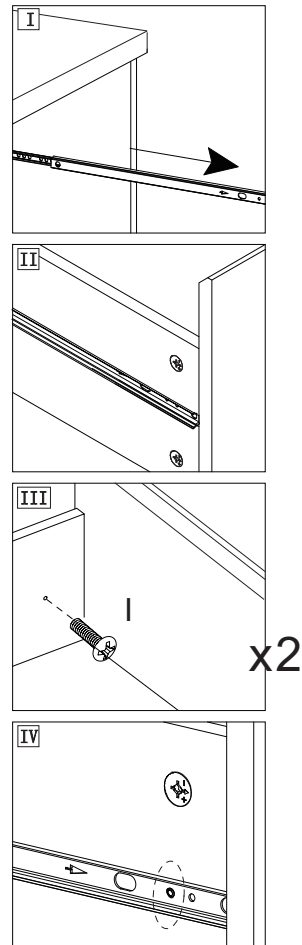
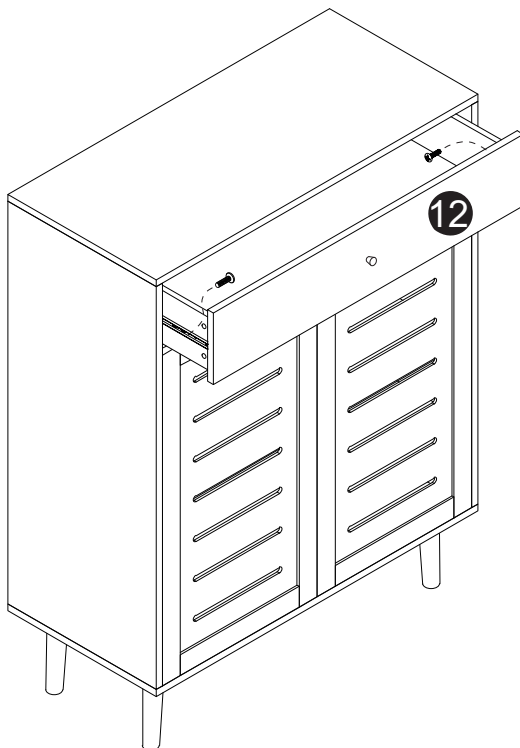
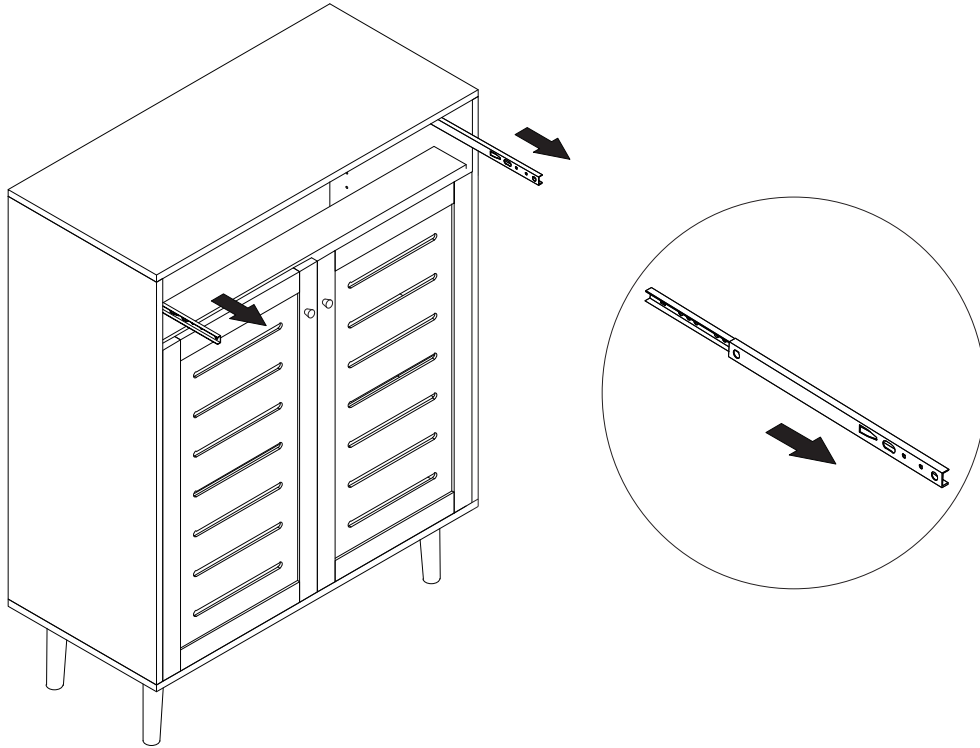
38



J		5
---	---	---

39



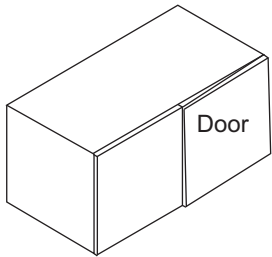


Finished!

Fantastic, we're nearly there! Please carry out the following checks:

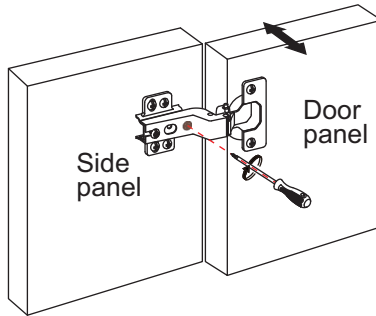
1. Have you tightened all the screws?
2. Are the levelers aligned with and making contact with the ground?
3. Have you installed the anti-tipping kit?

Common Door Panel Issues:

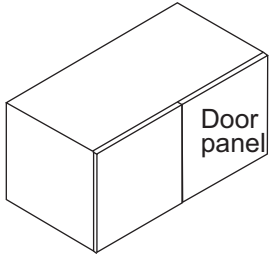
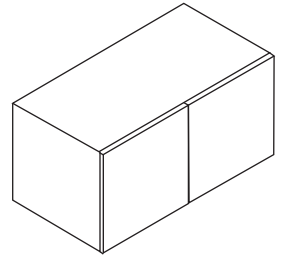


Door panel is not straight

Adjust the door hinges

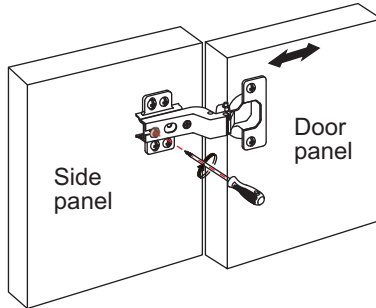


Finished

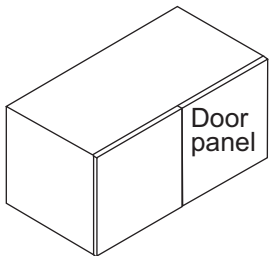
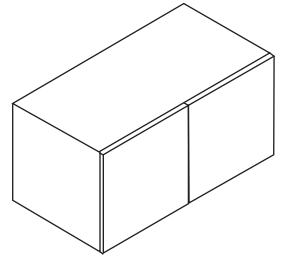


The gap between door panels is too large

Adjust the door hinges

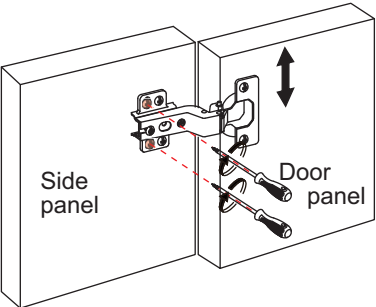


Finished

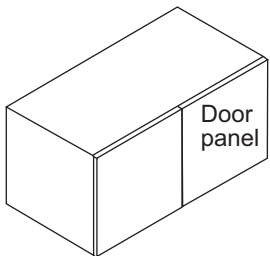
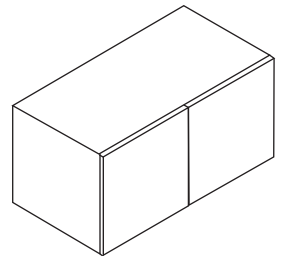


The door panels are not coplanar

Adjust the door hinges



Finished



The two door panels are not at the same height

Adjust the door hinges



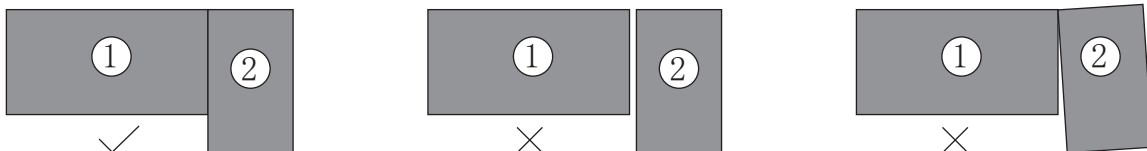
Finished



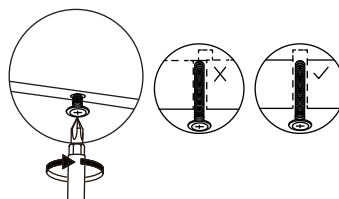
Product Category	Fault	Cause Analysis	Handing Method
Wood furniture	Door opening is not flexible	The furniture is not leveled	Use items to level the furniture
		The door hinges should be adjusted properly.	Adjust door hinges and apply lubricating oil.
	Inflexible opening of drawer	Overload or deformation	Reduce weight, adjust guide rails, lubricate
	Loose component connection	Loose hinges or screws	The poke part should be coated with an appropriate amount of 502 glue, then re-install or tighten the screws.
	Minor scratches	friction with hard o sharp objects	Use a brush to apply similar pigment ink along wood grain to the scratches, then wipe off the excess.
	Corrosive stains	Accidentally stained with chemical solvents such as nail polish, nail polish remover, ect.	Wipe them with a dry cotton cloth immediately

#### Possible Issues During Assembly:

- The two boards can't be aligned at the same level.

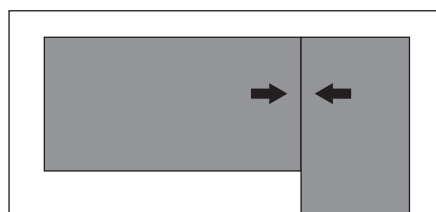


- Holes on the boards and poles are not aligned, so screws can't be installed.



#### Recommended Solution:

- Please slightly loosen all screws and adjust the boards. Because the diameter of the holes on the pipes is 23 mm larger than that of the boards, the position of the boards can be adjusted.



- If it still doesn't work after adjustment, please contact us for more solutions.

---

## Furniture Use & Care Guide

Thank you for choosing our product. To ensure optimal performance and safety, please follow these guidelines.

### Assembly & Routine Checks

- Assemble according to the instruction manual, ensuring all parts are securely fastened.
- Regularly inspect screws and joints for tightness; re-tighten if necessary.
- When moving the furniture, lift carefully to prevent structural stress.
- Keep furniture in a dry, well-ventilated space to avoid moisture and mold.
- Avoid prolonged exposure to direct sunlight or heat sources, as this may cause discoloration or warping.

### Safety Precautions

- Install anti-tip hardware for tall or top-heavy furniture.
- Families with children or pets should take extra care to prevent tipping and impact injuries.
- Encourage children to stay away from sharp corners or edges to prevent accidental bumps or scratches.

### Weight Capacity

- Adhere to the recommended weight capacity of each furniture piece.
- Overloading may result in tipping, damage, or personal injury.

### Cleaning & Maintenance

- Dust regularly with a soft, dry cloth.
- Do not use abrasive or chemical cleaners, as they may harm the surface finish.

# Help Center

---

Treat your furniture with care and follow the maintenance guidelines.

In return, your furniture will provide you with lasting comfort and support. For any additional inquiries or assistance.



Inquiry



Assembly issue



Missing parts



Returns&Refunds

We look forward to seeing you again soon.