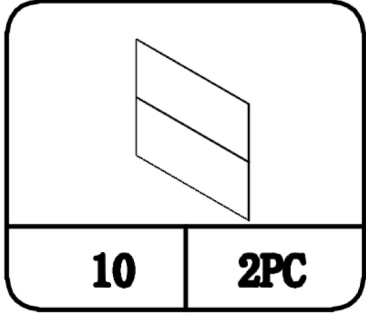
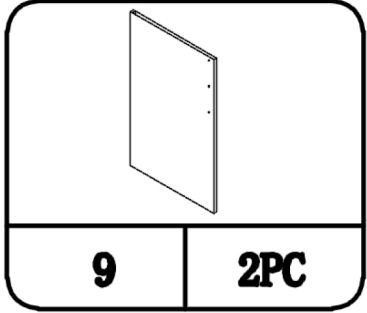
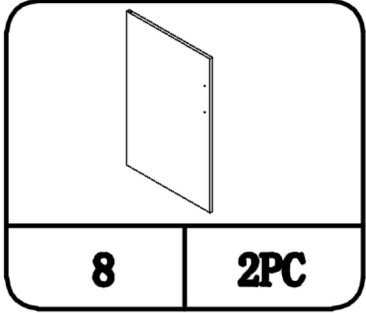
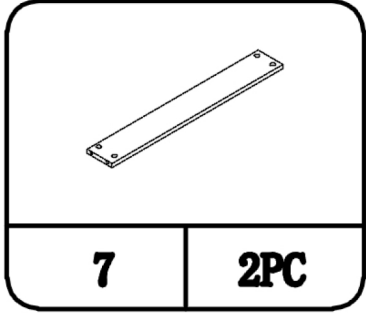
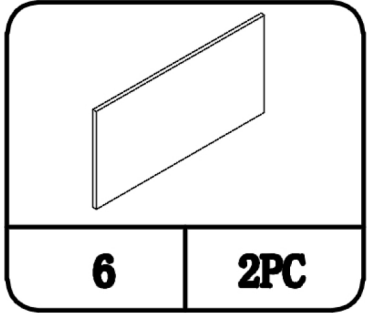
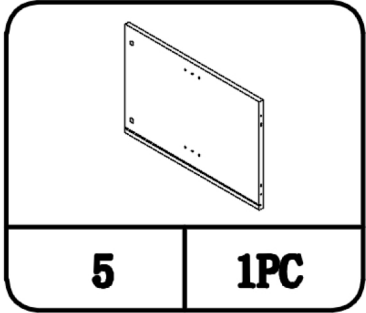
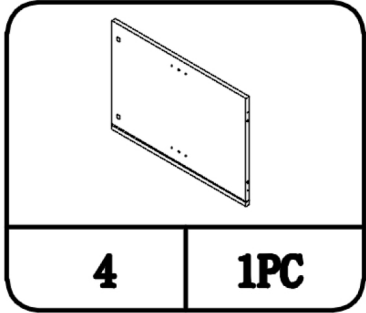
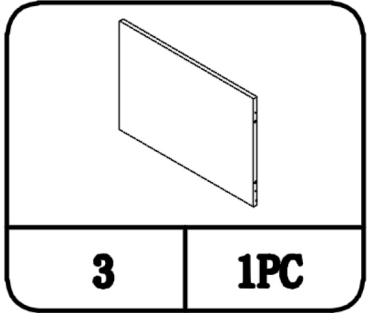
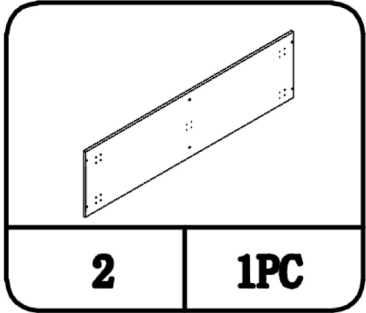
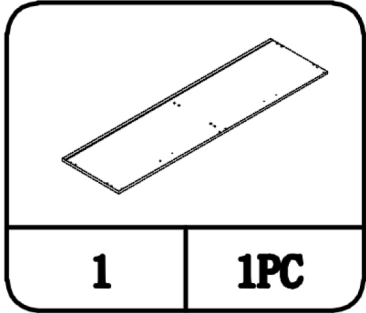
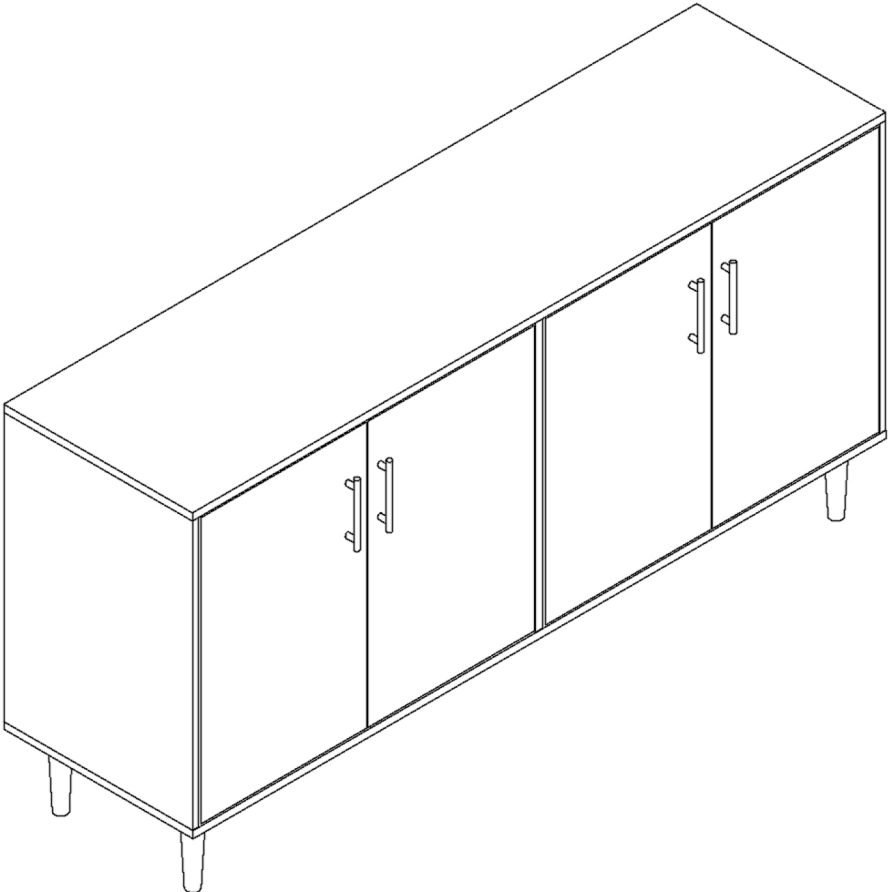
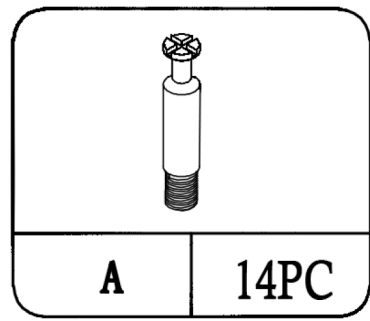


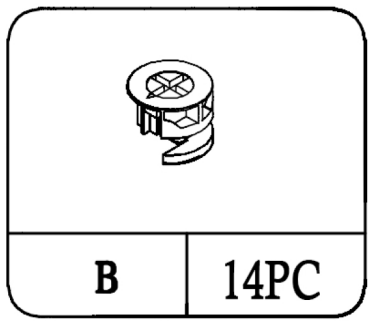
# Buffet Cabinet Instructions

SKU: 543878/KD0030

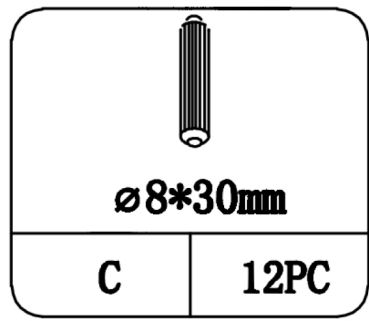




**A** 14PC

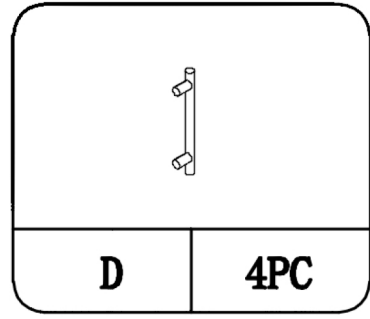


**B** 14PC

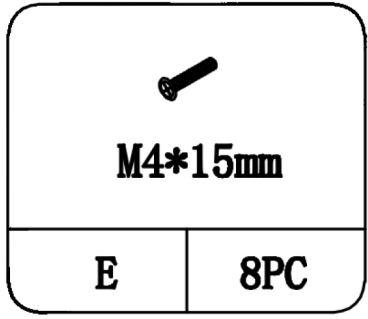


$\varnothing 8*30\text{mm}$

**C** 12PC

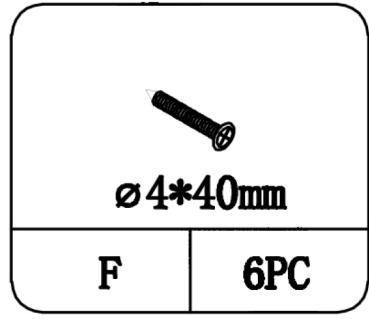


**D** 4PC



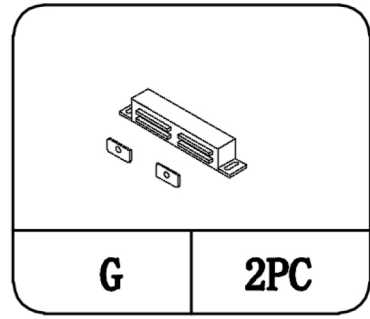
**M4\*15mm**

**E** 8PC

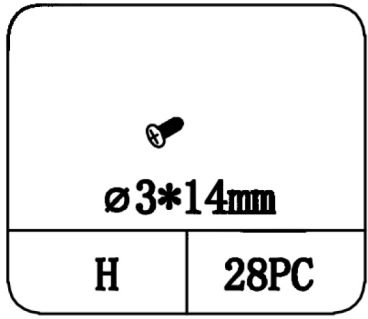


$\varnothing 4*40\text{mm}$

**F** 6PC

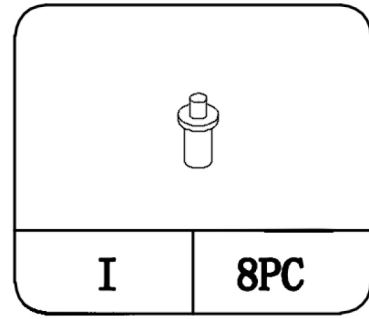


**G** 2PC

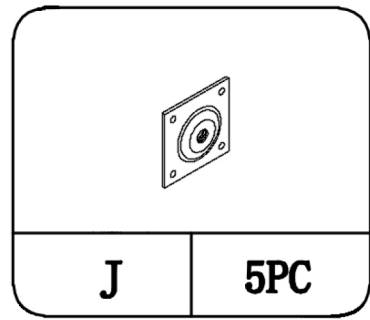


$\varnothing 3*14\text{mm}$

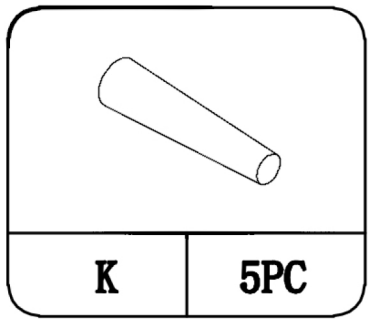
**H** 28PC



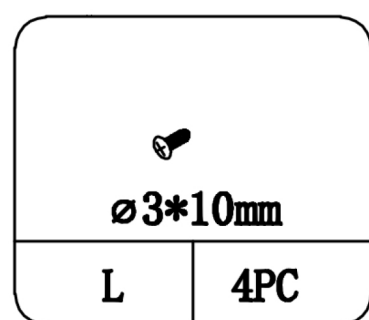
**I** 8PC



**J** 5PC

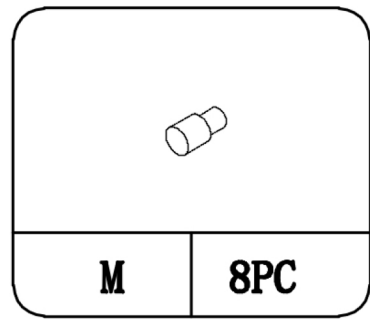


**K** 5PC

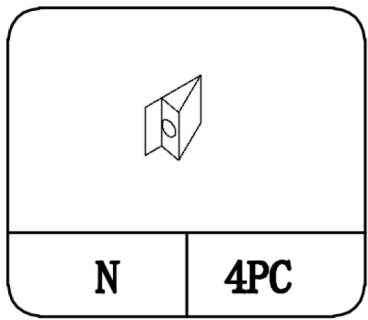


$\varnothing 3*10\text{mm}$

**L** 4PC

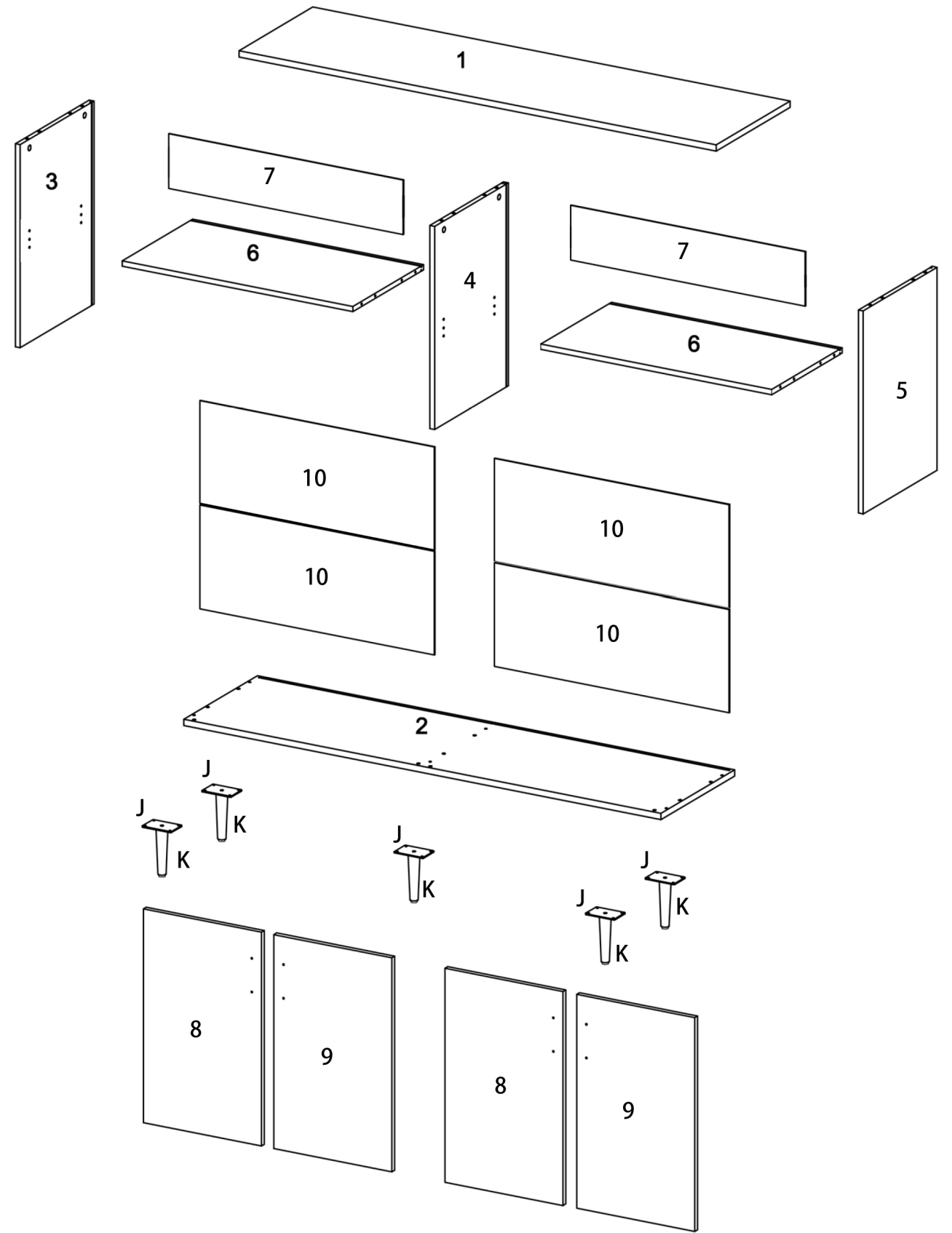


**M** 8PC

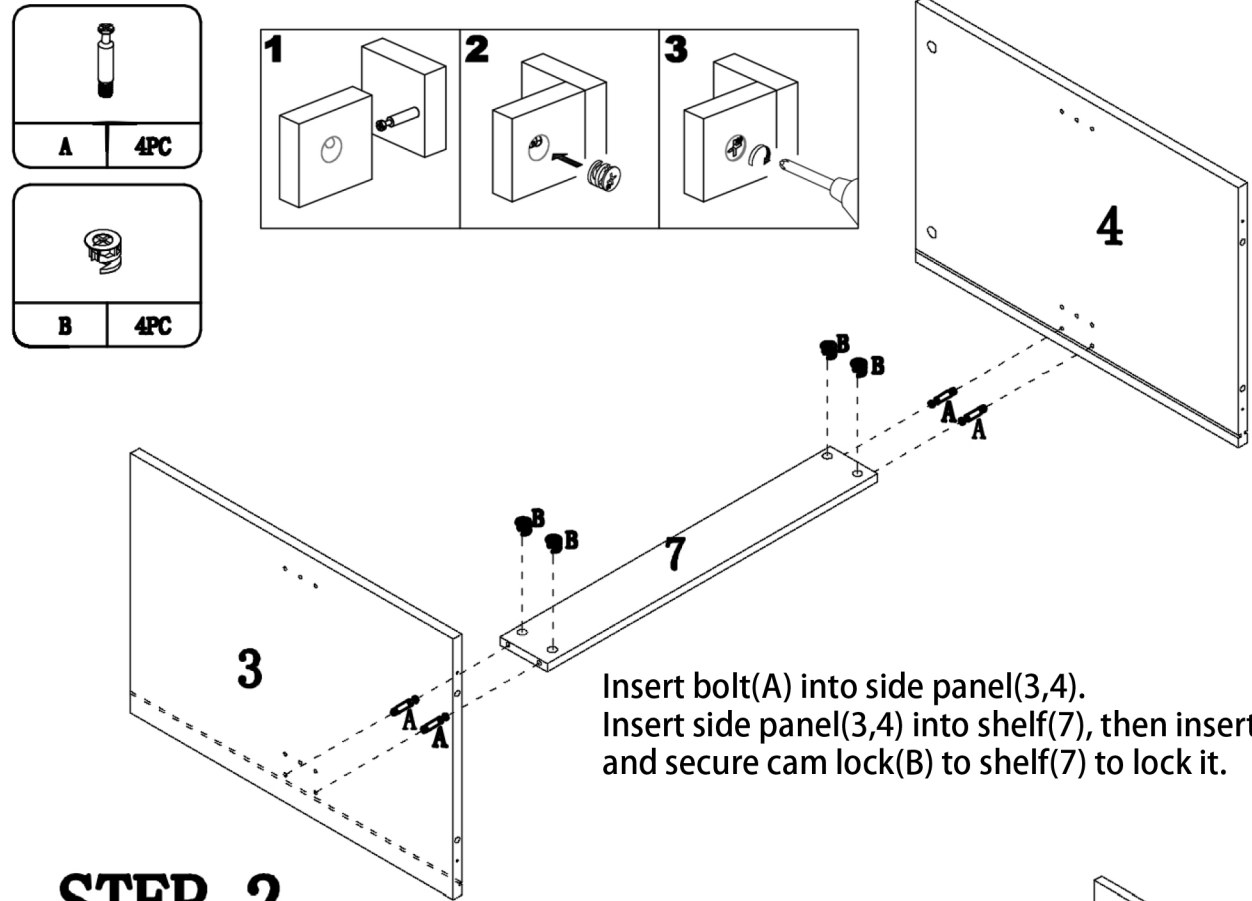


**N** 4PC

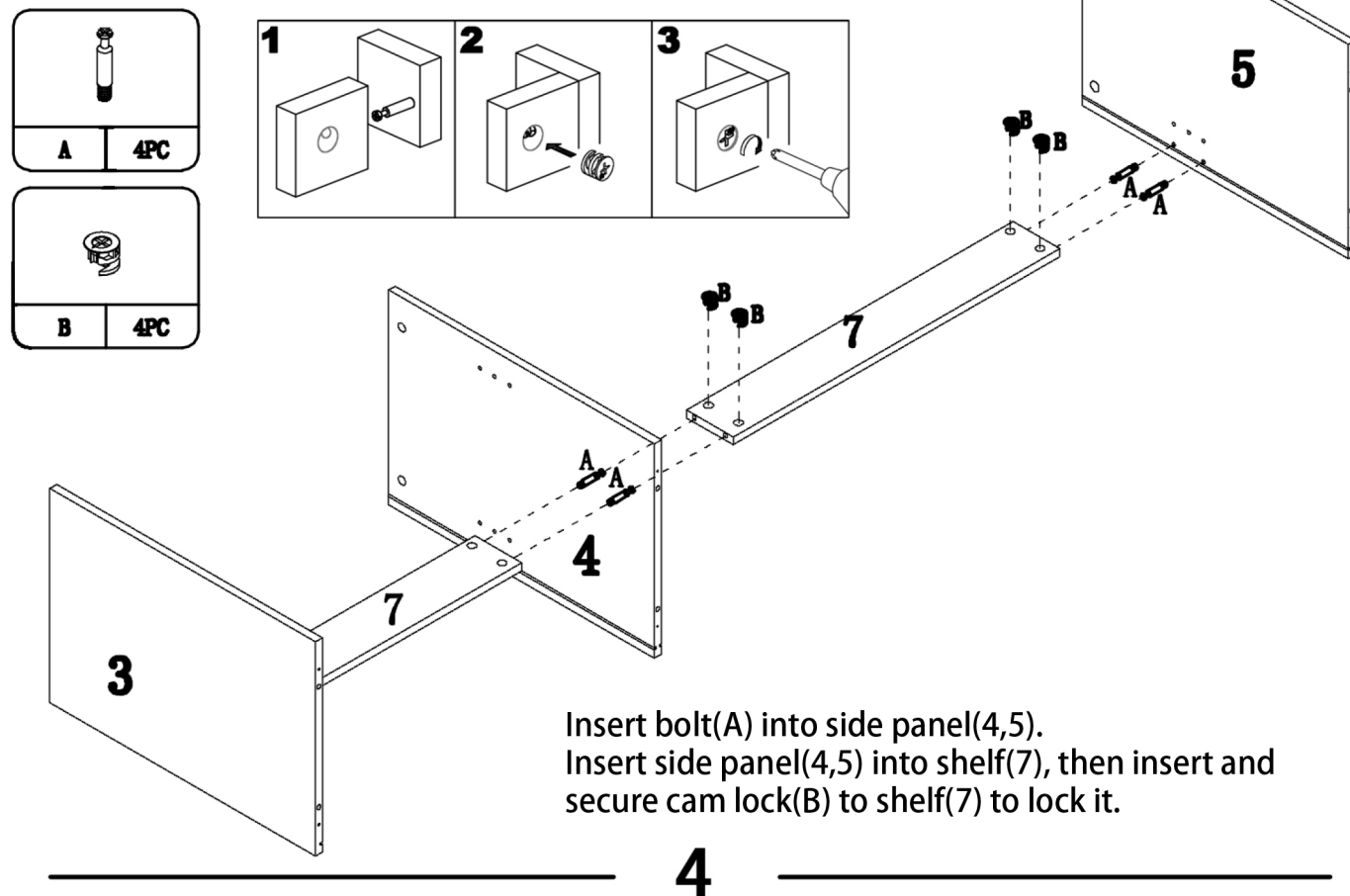
## Parts List



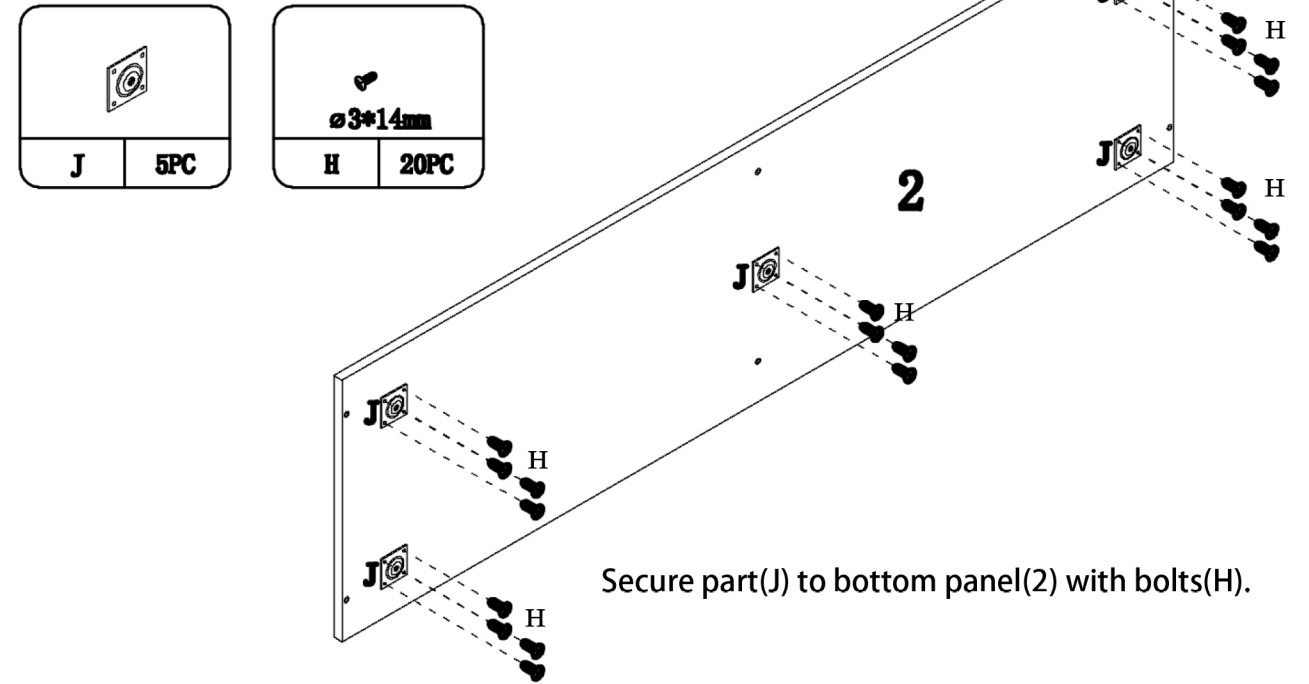
# STEP 1



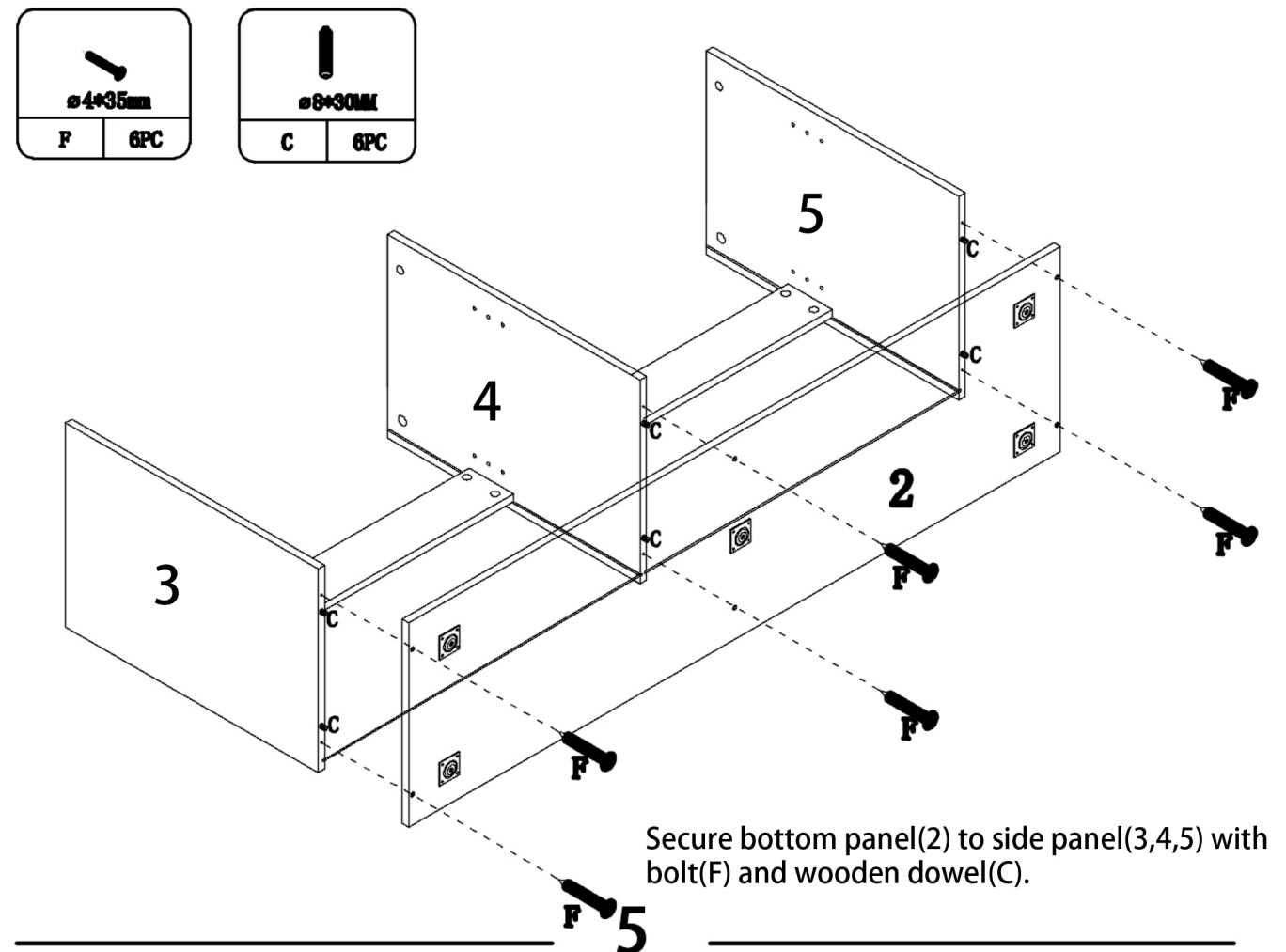
# STEP 2



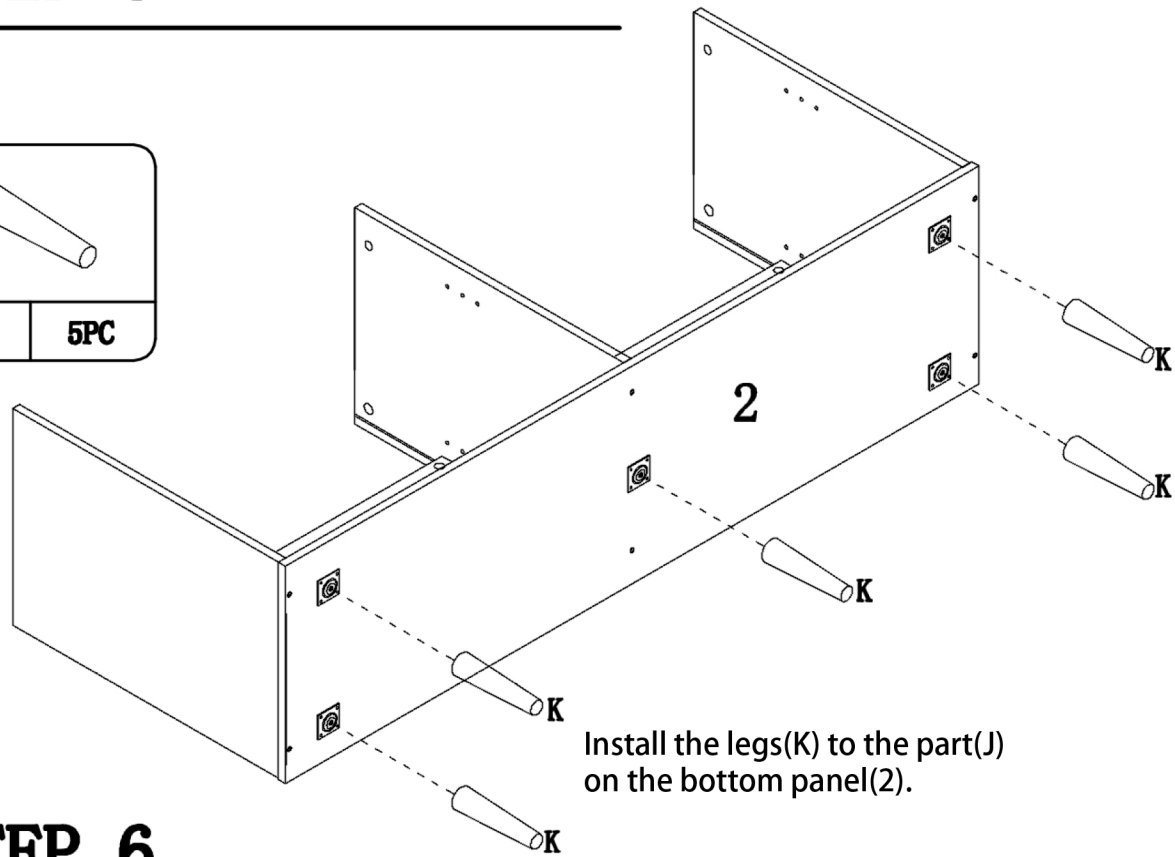
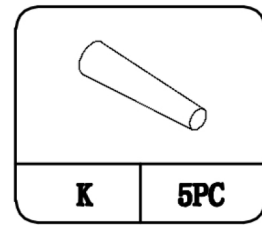
# STEP 3



# STEP 4



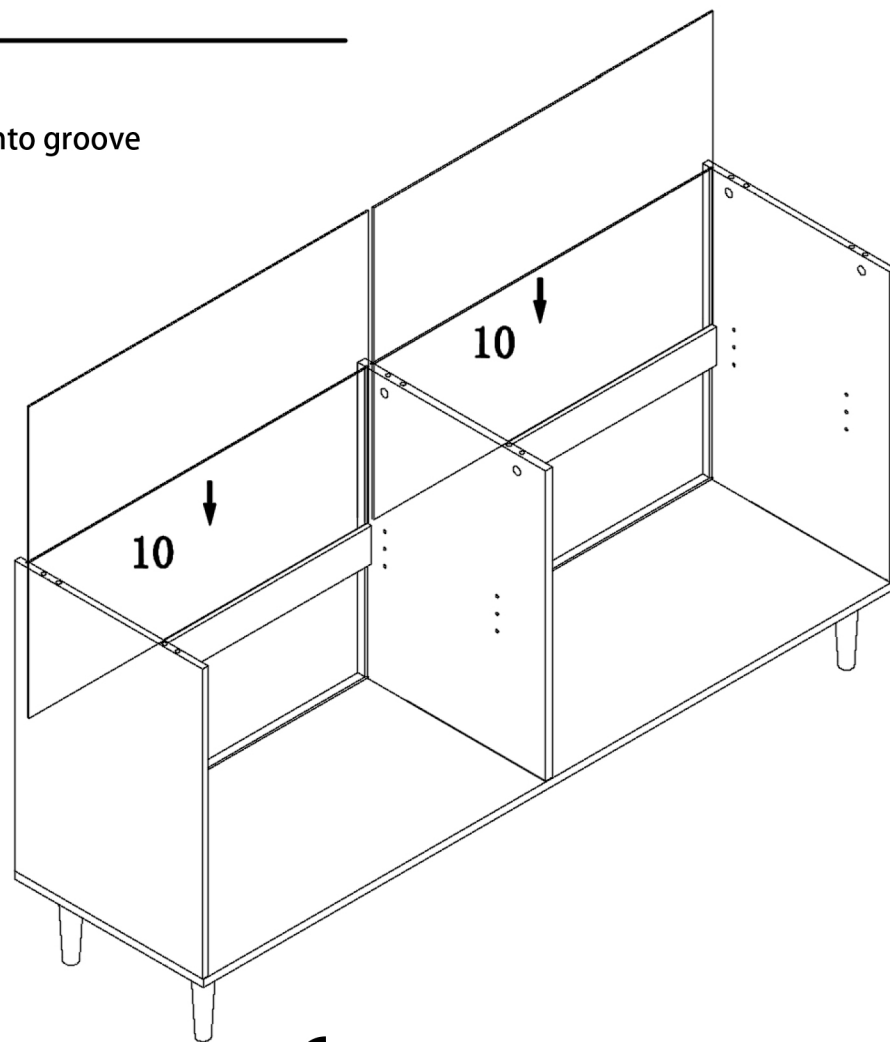
# STEP 5



Install the legs(K) to the part(J) on the bottom panel(2).

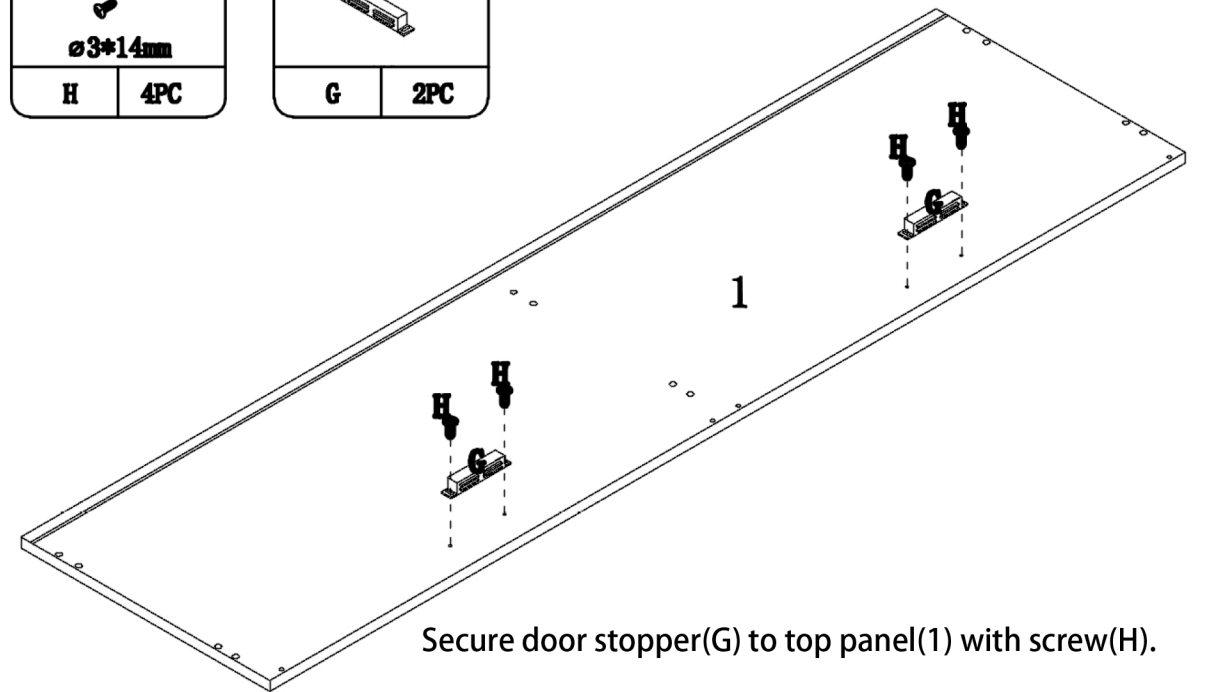
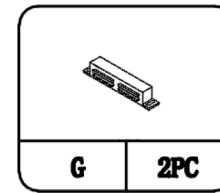
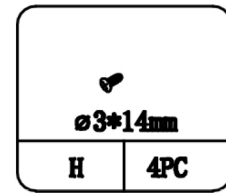
# STEP 6

Slide back panel(10) into groove as per diagram.



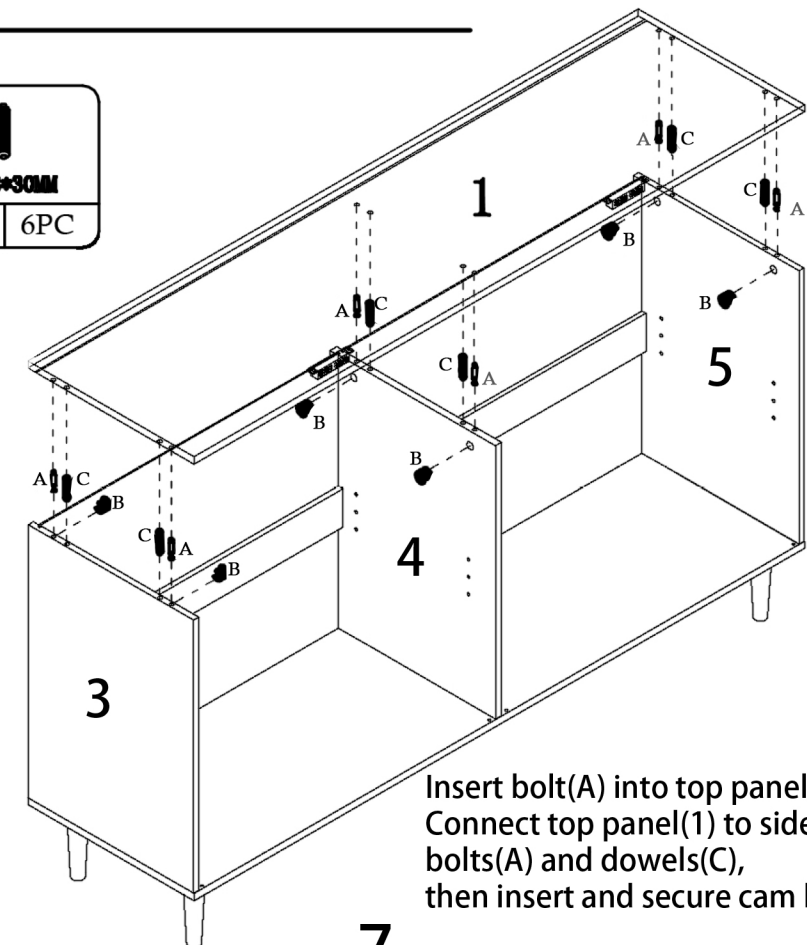
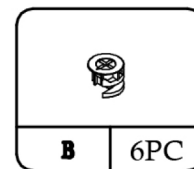
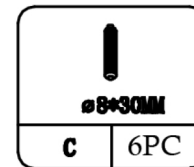
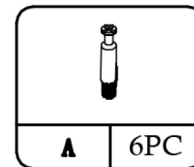
6

# STEP 7



Secure door stopper(G) to top panel(1) with screw(H).

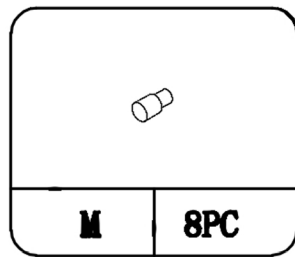
# STEP 8



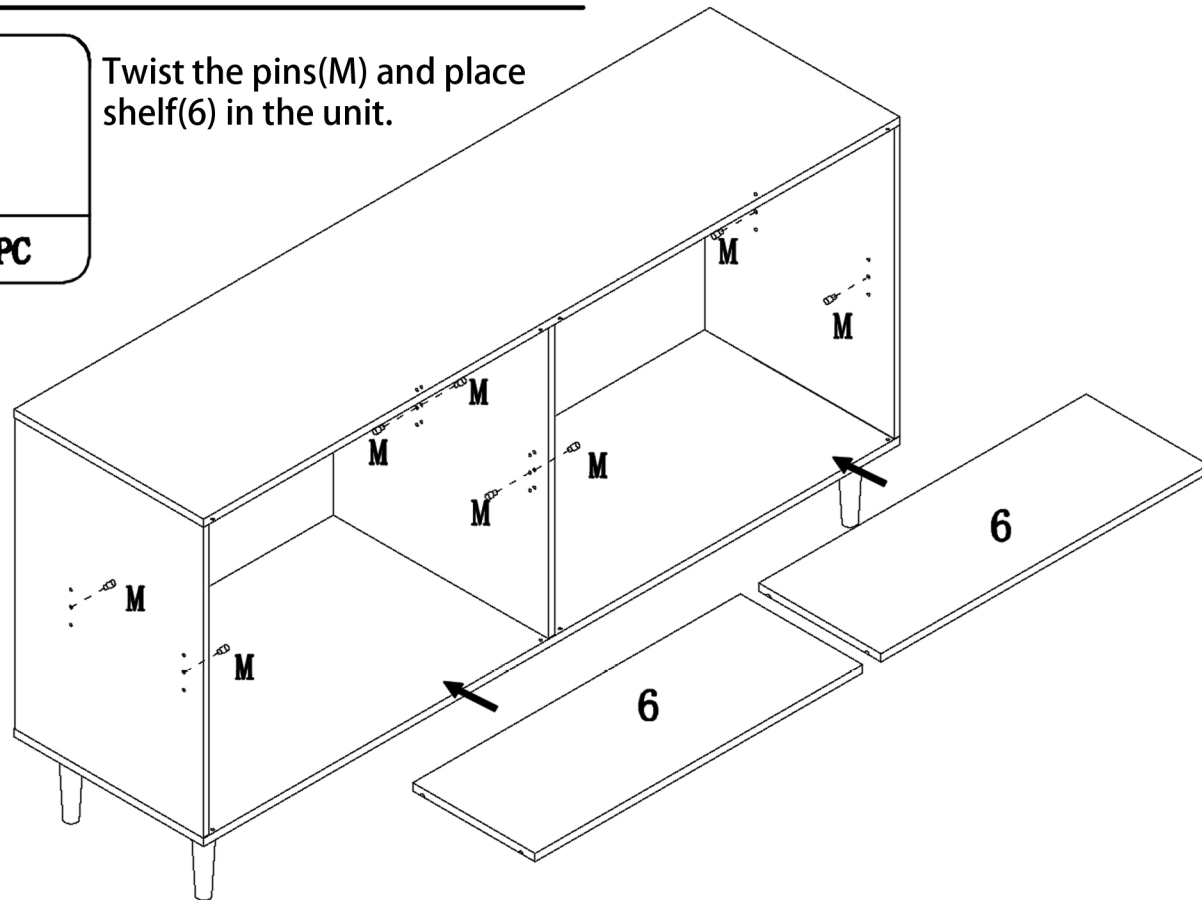
Insert bolt(A) into top panel(1). Connect top panel(1) to side panel(3,4,5) with bolts(A) and dowels(C), then insert and secure cam lock(B) to lock it.

7

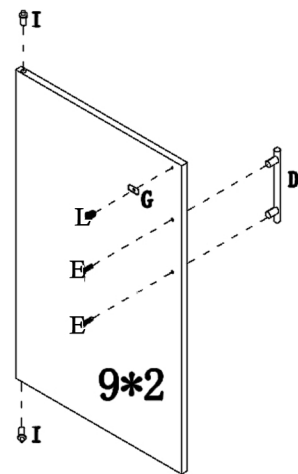
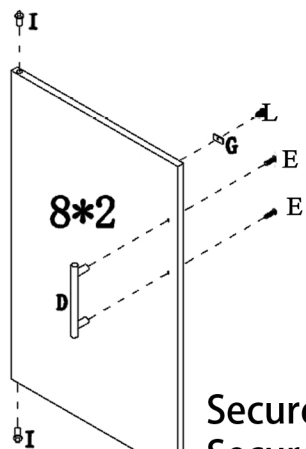
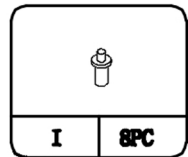
# STEP 9



Twist the pins(M) and place shelf(6) in the unit.



# STEP 10

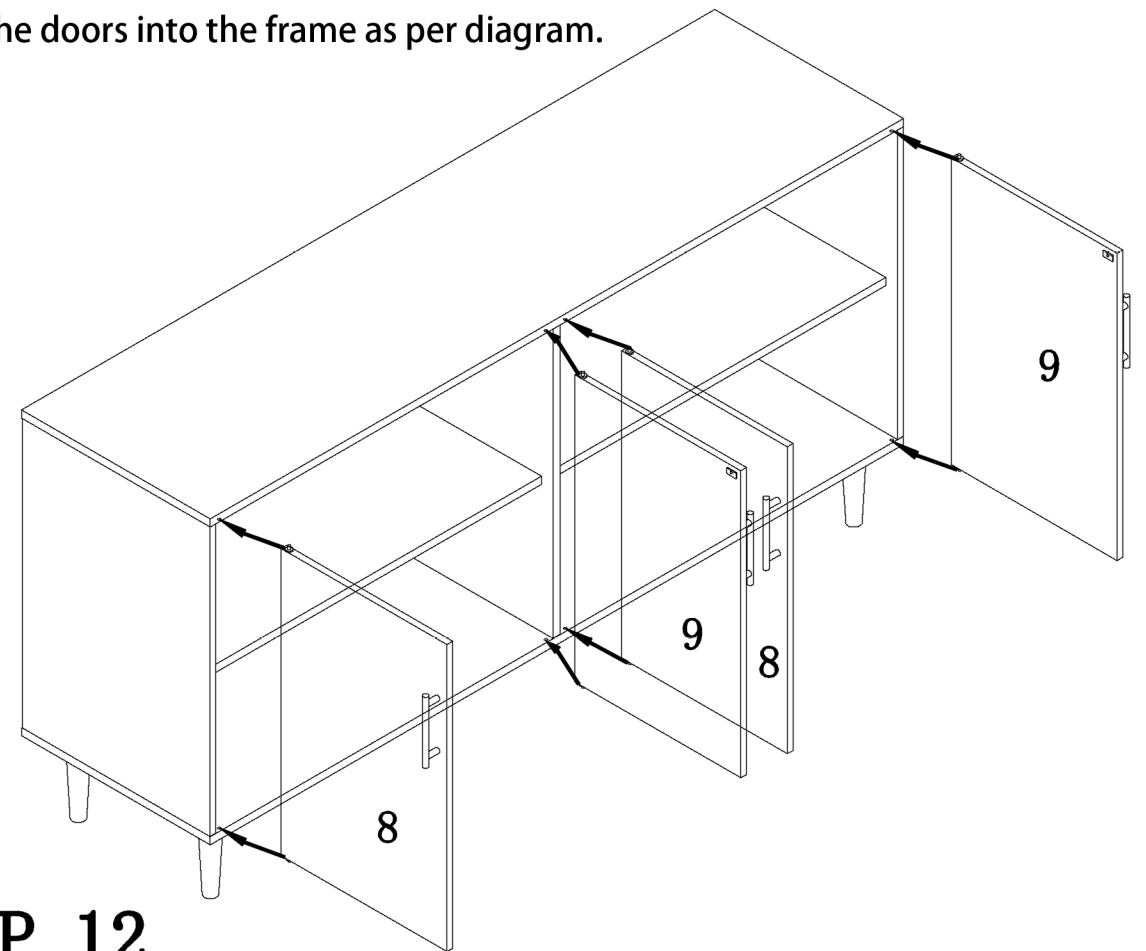


Secure the handle(D) to the door(8,9) with bolt(E). Secure part(G) to the door(8,9) with bolt(L) and place plastic pivot(I) over the holes as per diagram.

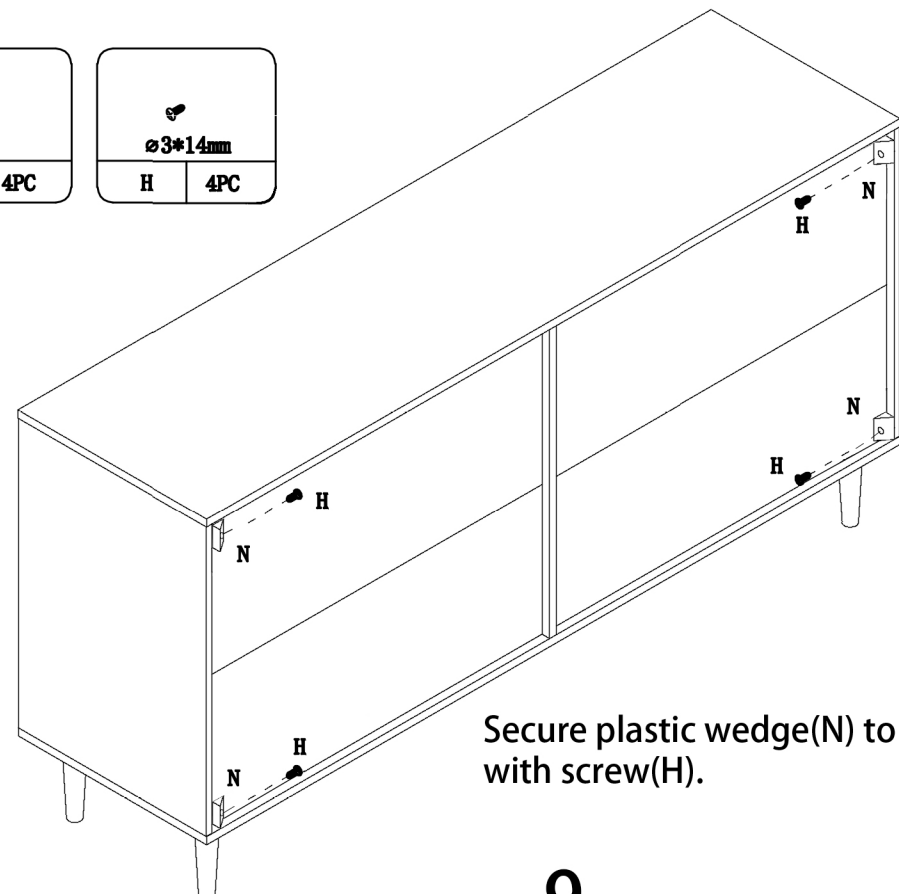
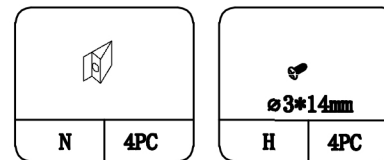
8

# STEP 11

Install the doors into the frame as per diagram.



# STEP 12



Secure plastic wedge(N) to back panel(10) with screw(H).

9