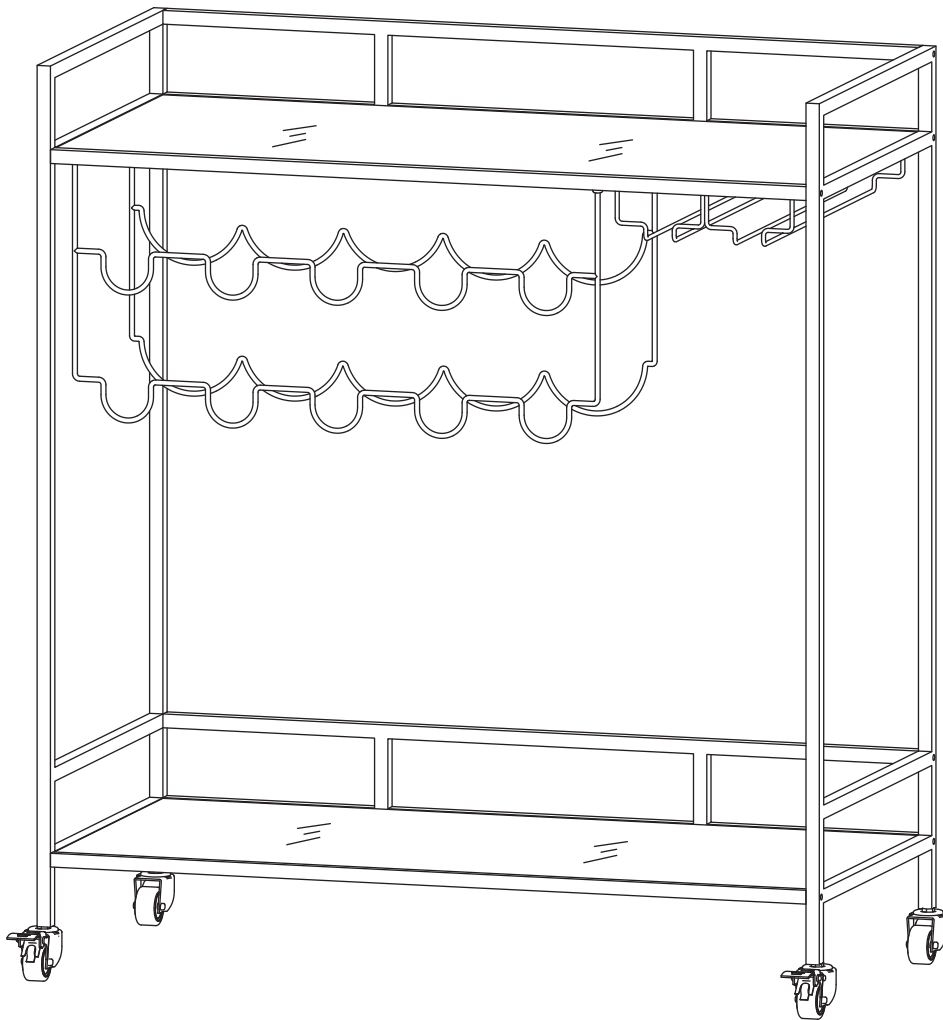
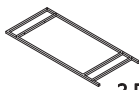
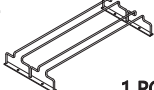

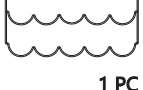



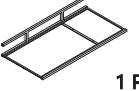
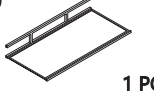
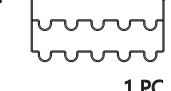



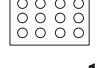


- Palama Bar Cart -

ASSEMBLY INSTRUCTION

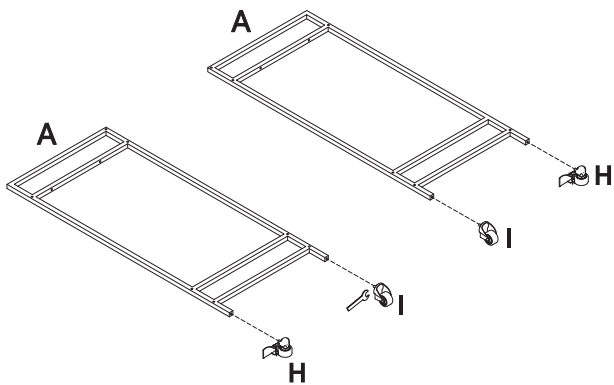


Assembly Instruction

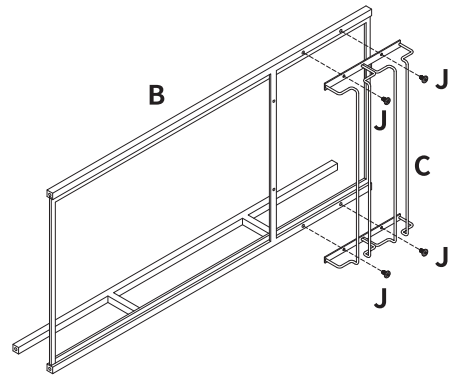
A  2 PCS	C  1 PC	E  2 PCS	G  1 PC	I  2 PCS	K  12 PCS	M  1 PC
B  1 PC	D  1 PC	F  1 PC	H  2 PCS	J  8 PCS	L  1 PC	N  1 PC

The unique design of our bar cart makes it easier for you to assemble. During transportation the accessories may fall off or be damaged. Please check and make sure all the accessories are in good condition before assembling, if any damage or lack of accessories, please feel free to contact us at , we'll work to resolve your issues.

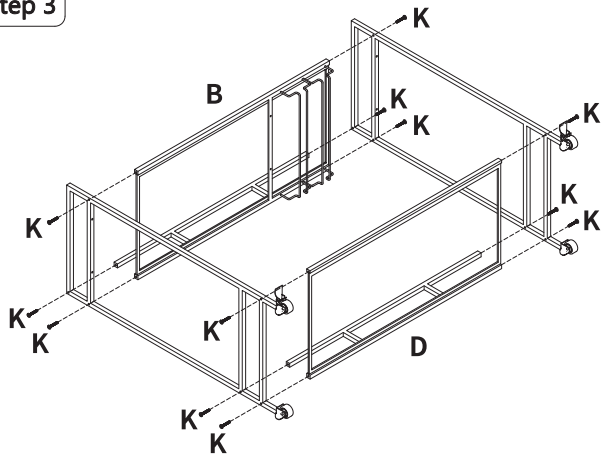
Step 1



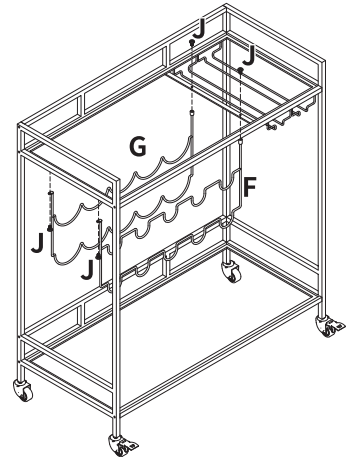
Step 2



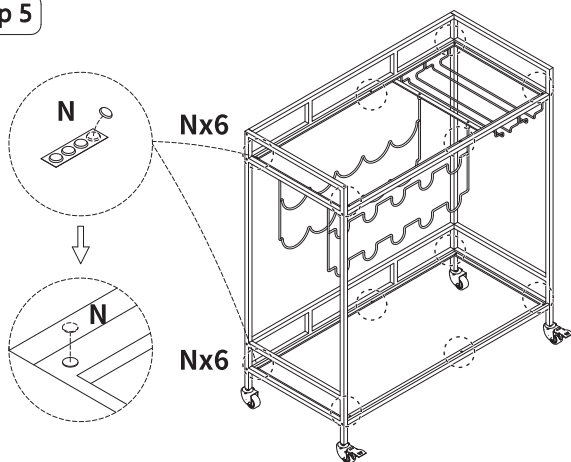
Step 3



Step 4



Step 5



Step 6

