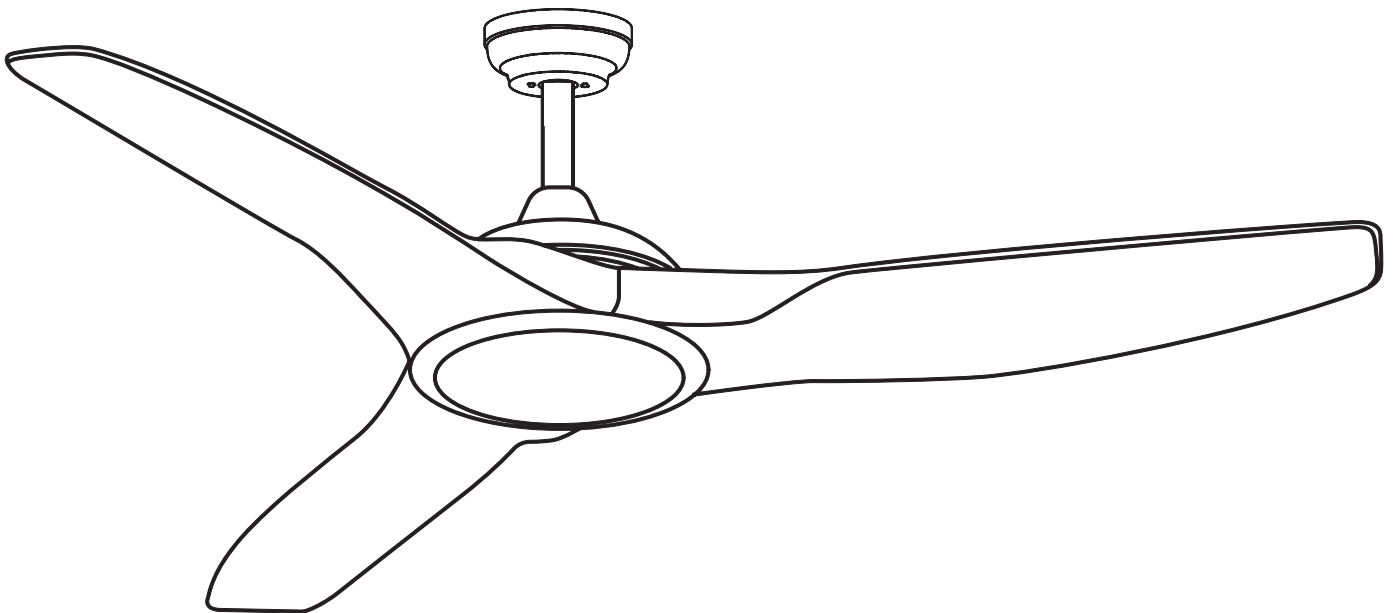


CEILING FAN INSTALLATION INSTRUCTIONS v1.0



CEILING FAN

- INSTALLATION
- OPERATION
- MAINTENANCE

CAUTION

READ INSTRUCTIONS CAREFULLY FOR SAFE
INSTALLATION AND FAN OPERATION.



WARNING: To avoid fire, electric shock, and serious injury, please read the following instructions carefully.

Important: Installation and User Instructions

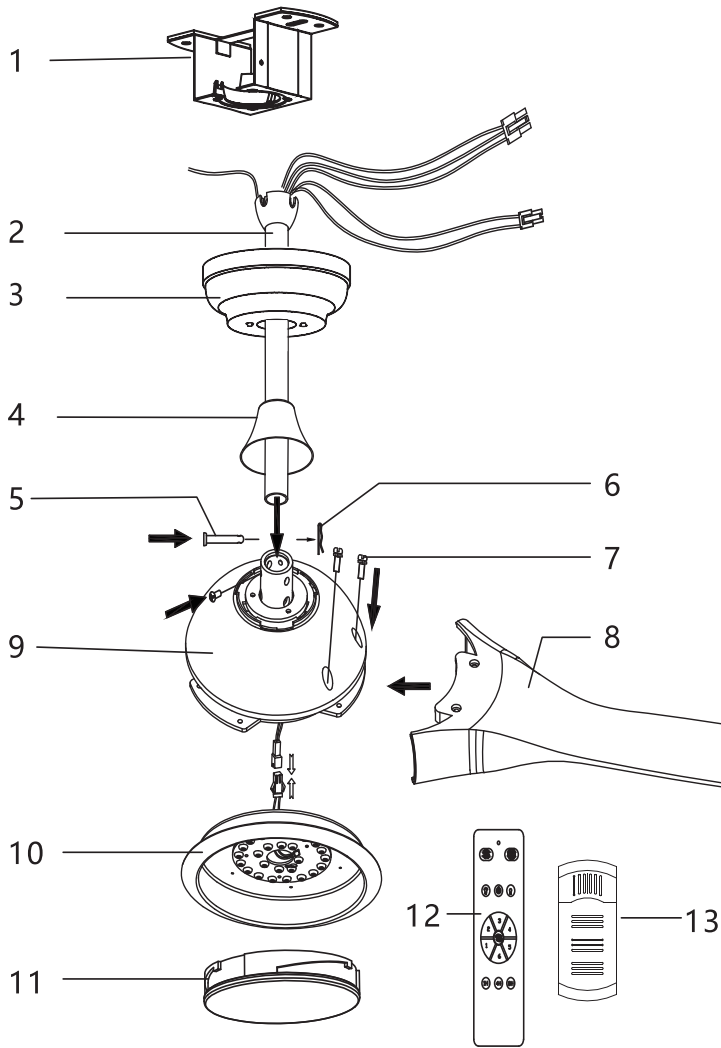
Before installing and using this device, please read these instructions carefully. Keep this manual for future reference.

- **WARNING: To avoid fire, electric shock, and serious injury, please read the following instructions carefully.**
- before installing or servicing your fan, disconnect the power by turning off the circuit breaker of the fuse box to the outlet box.
- All wiring must be in accordance with the National Electrical Code (ANSI/NFPA 70) and local electrical codes. Electrical installation should be performed by a qualified licensed electrician.
- Before installation, please confirm that the load-bearing capacity of the ceiling is not less than 4 times the total weight of the ceiling fan (approx. 30 kg) to avoid the risk of falling due to insufficient load-bearing capacity. Install the ceiling fan on a sturdy ceiling, and avoid mounting it on flammable materials or uneven surfaces.
- When installing the ceiling fan, the blades must be at least 2.3 meters above the floor, and the tip of each blade must be 50 cm away from the nearest object or wall. Ensure that the installation location you choose allows the fan blades to rotate without obstruction.
- This ceiling fan is suitable for sloped ceilings with a maximum angle of 15°. This ceiling fan is intended for indoor use only.
- Before use, ensure that the ceiling fan has been properly installed and passed the safe operation test.
- This product is not suitable for people with reduced physical, sensory, or mental capabilities, or those lacking experience and knowledge (including children), unless they have received supervision or instructions on how to use the device from a person responsible for their safety. Children should be supervised to ensure they do not play with electrical appliances.
- This device is intended solely for household and similar applications. It is not suitable for use in dusty environments.
- If abnormal wobbling or swinging is observed, immediately stop using the ceiling fan and contact qualified personnel.
- Do not operate any electrical appliance that is malfunctioning, has been dropped, or damaged in any way.
- There are no user-serviceable parts inside the device. If repairs are required, please contact a local electrician.
- Before performing maintenance or cleaning, ensure the power supply is properly disconnected.

Battery Safety Precautions

- Ensure the battery is inserted with the correct polarity.
- When not in use for an extended period, remove the battery from the remote control.
- Before discarding the remote control, the battery must be removed from it.

Parts List



NO.	ITEM	QTY
1	Hanger Bracket	1
2	Downrod Assembly	3
3	Canopy	1
4	Coupling Cover	1
5	Clevis Pin	1
6	R Clip	1
7	Blade Screws	6
8	Blades	3
9	Fan Motor Assembly	1
10	LED light kit	1
11	Lampshade	1
12	Remote Control	1
13	Receiver	1

Note:

This product is supplied with spare screws.
 Products of different configurations are not identical in terms of components;
 please refer to the actual item.

Installing The Hanger Bracket

WARNING: Before installing the fan, turn off the circuit breakers and the wall switch connected to the fan power supply line. Failure to disconnect the power supply before installation may result in serious injury.

To reduce the risk of electric shock, the fan must be installed with an isolating wall control/switch.

Remove any existing bracket before proceeding with installation. Only use the Hanger bracket provided in the fan packaging.

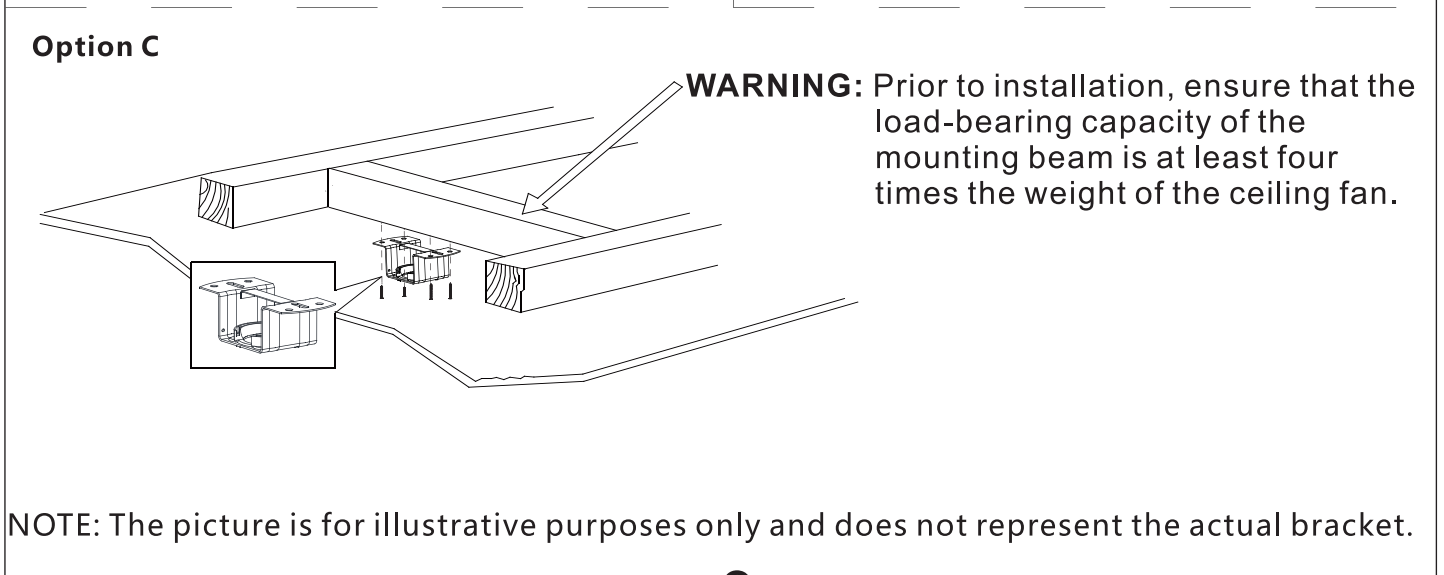
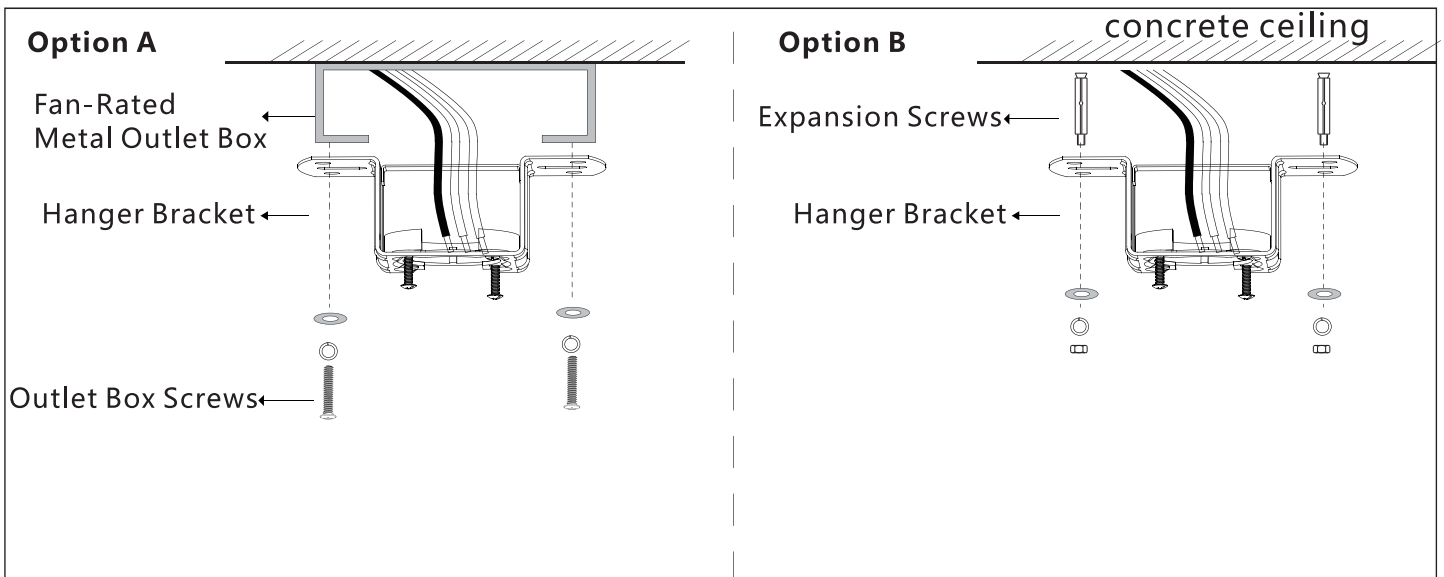
NOTE: Do not mount the bracket directly onto drywall or ceiling tiles.

There are three installation options; select the one suitable for your installation location.

Option A: When securing the Hanger bracket to a fan-rated metal outlet box, use the outlet box screws (supplied with the outlet box).

Option B: Use expansion screws when fastening the Hanger bracket to a concrete ceiling.

Option C: When securing the Hanger bracket to a ceiling joist or support structure fitted with an approved fan-rated electrical box, use wood screws.

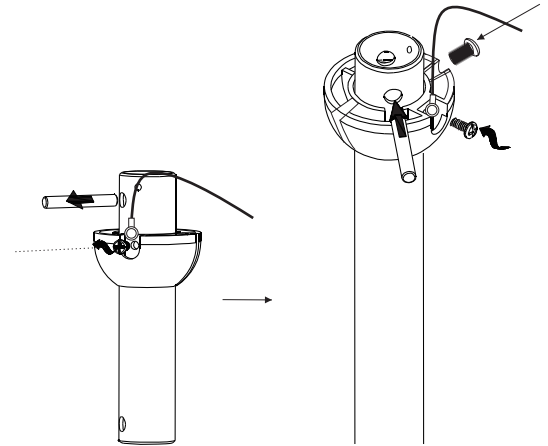


Downrod Assembly

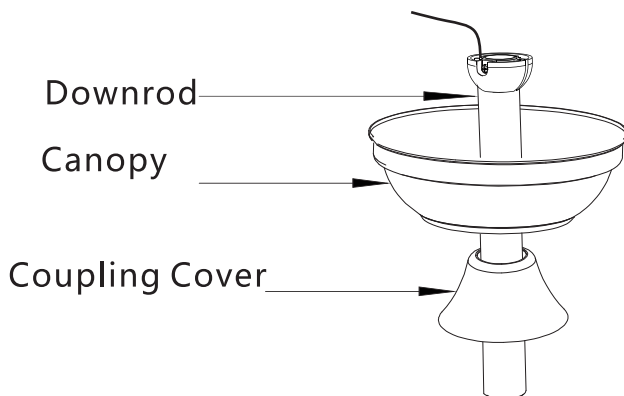
This product is supplied with multiple down rods. If you intend to use a down rod of a different length, remove the suspension ball from the existing down rod and mount it onto the desired one. Specific procedures are as follows:

- Loosen the grounding screw and fixing screw on the suspension ball.
- Remove the grounding screw and green grounding wire.
- Detach the suspension ball and cotter pin from the current down rod, then reassemble them onto the down rod of your choice.

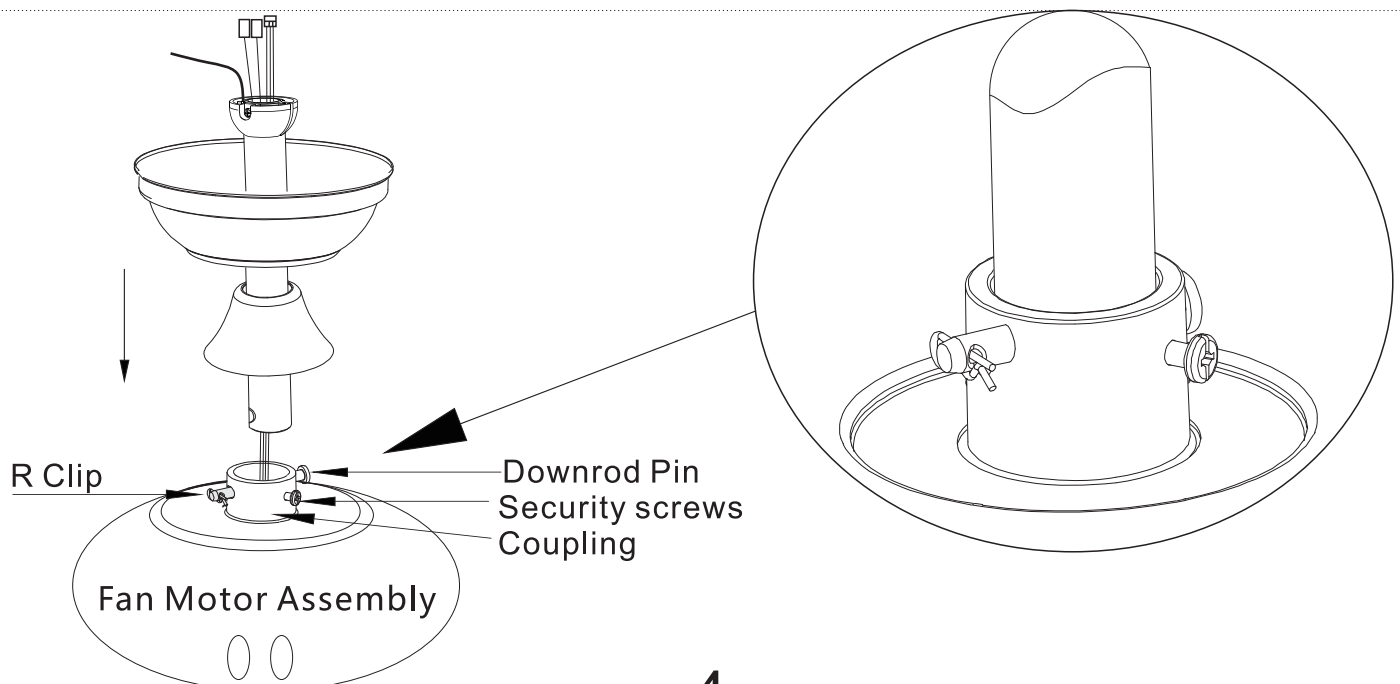
WARNING: Failure to fully tighten the fixing screw on the suspension ball may cause the fan to wobble and potentially fall.



Assembling and Hanging the Fan

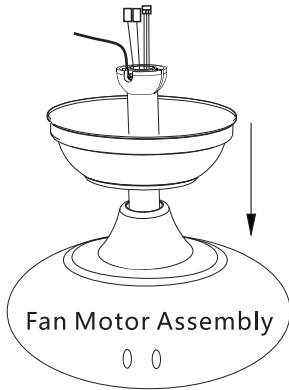


Pass the downrod through the ceiling canopy and coupling cover.

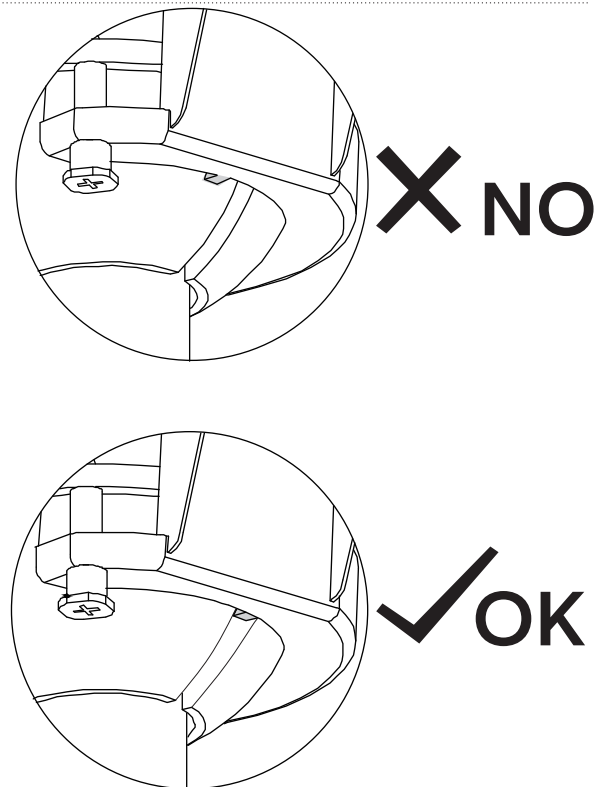
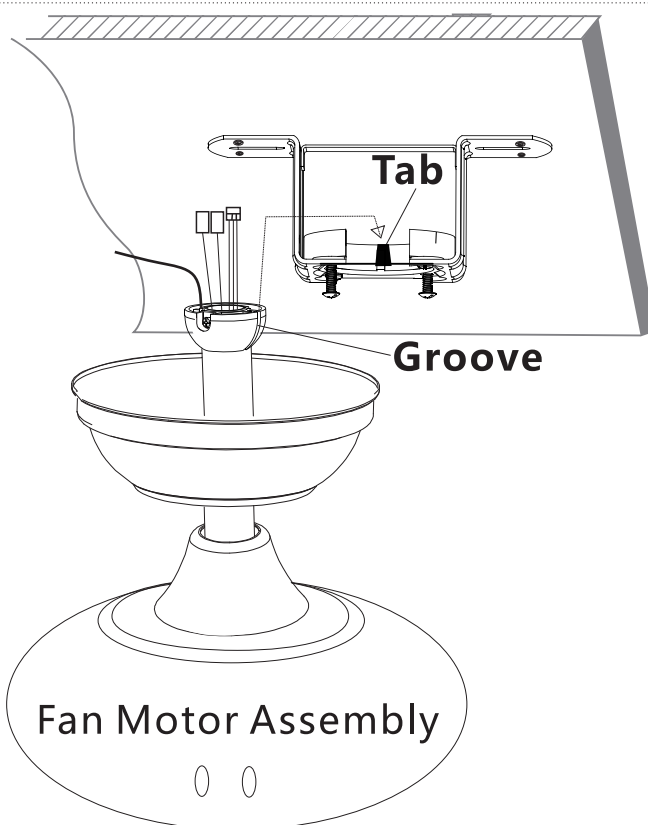


Assembling and Hanging the Fan

- Thread the wires through the downrod.
- Loosen the security screws first, then remove the downrod pin and R clip from the coupling and place them in a clean container to avoid loss.
- Then insert the downrod into the coupling, align the through holes of the downrod with those of the coupling, pass the downrod pin through the aligned holes, and secure it with the R clip. Next, tighten the security screws (ensure these screws fasten the downrod securely).



- Lower the coupling cover to enclose the coupling.



- Carefully lift the fan and mount the down rod with suspension ball assembly onto the hanger bracket. Ensure that the groove on the ball is accurately aligned with the tab on the hanger bracket.

Note: After correct installation, the entire fan motor assembly shall not rotate.

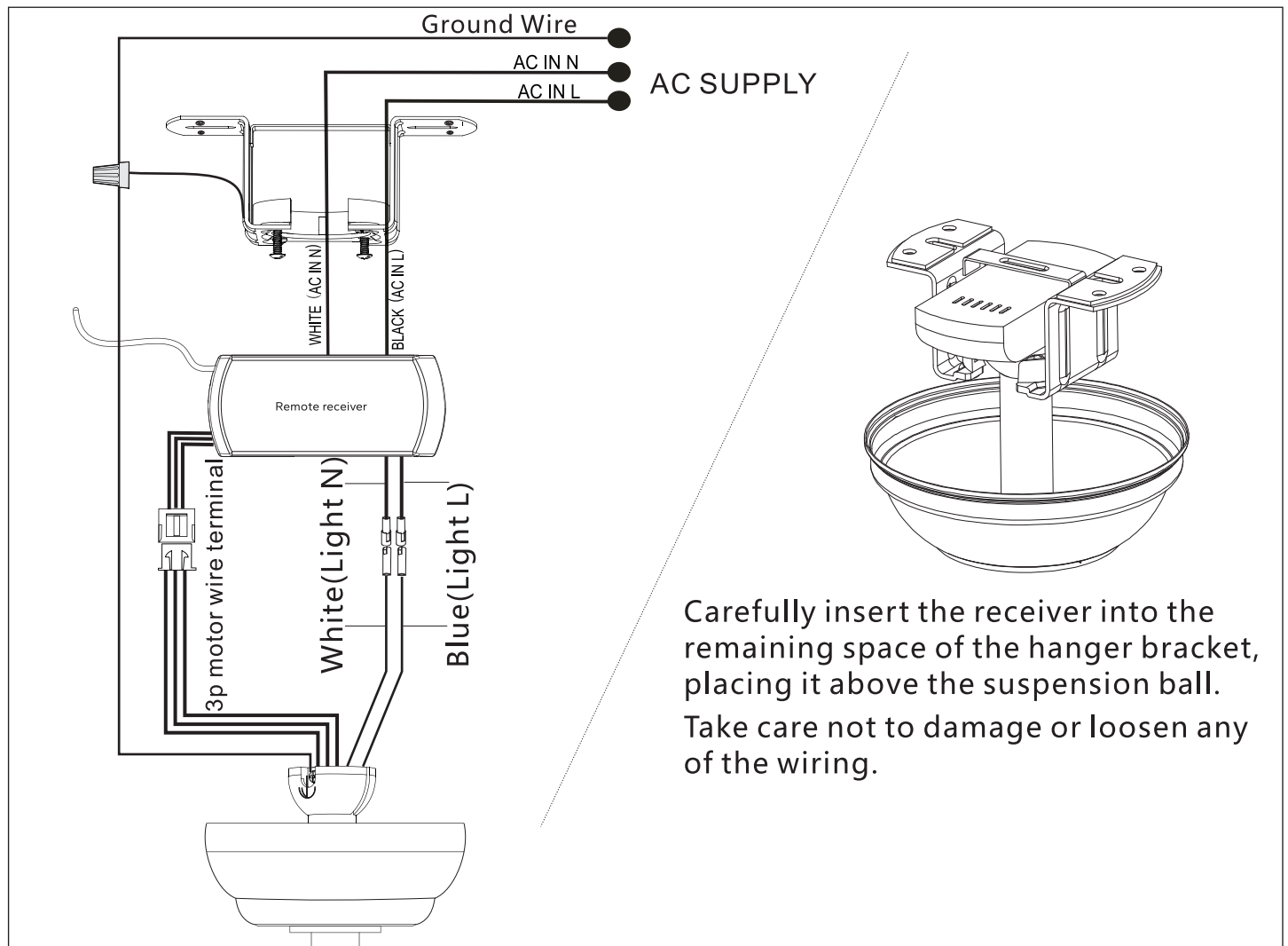
Warning: Do not pinch the wires between the suspension ball assembly.

Remote Receiver Wiring Instructions

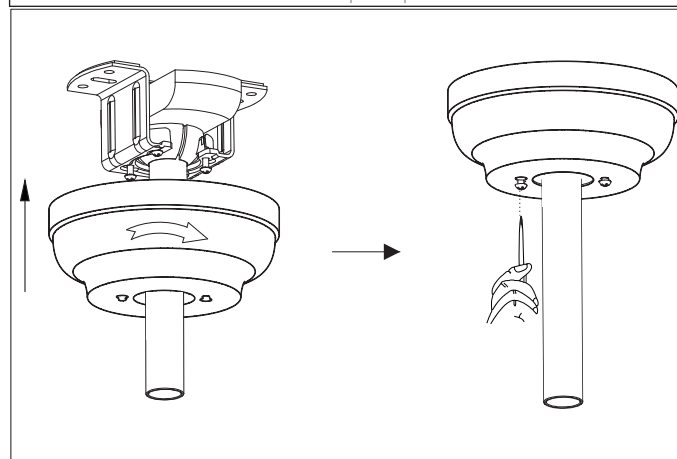
WARNING: To prevent the risk of electric shock, be sure to turn off the power supply at the main distribution box before installation.

After the ceiling fan is securely fastened to the hanger bracket, perform the wiring operations as follows:

- Connect the AC input live wire to the black wire (AC IN L) from the receiver.
- Connect the AC input neutral wire to the white wire (AC IN N) from the receiver.
- Connect the ground wire from the outlet box to the corresponding ground wire.
- Insert the light/motor terminals into the corresponding sockets of the receiver.
- Wrap each wire connection individually with electrical tape to ensure a secure joint.
- Arrange the leads neatly and carefully push the receiver into the hanger.



Carefully insert the receiver into the remaining space of the hanger bracket, placing it above the suspension ball. Take care not to damage or loosen any of the wiring.

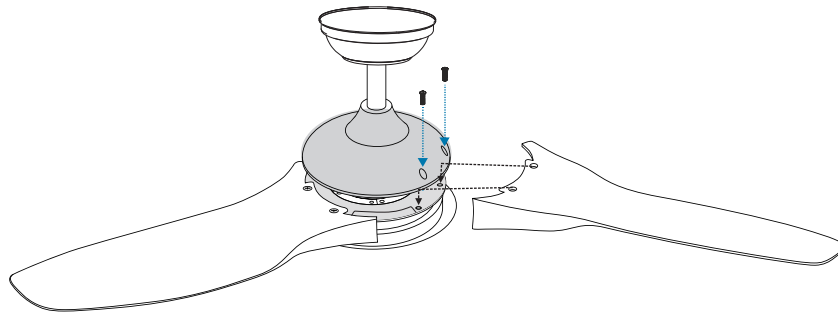


- Locate the two screws on the underside of the hanger bracket.
- Rotate the canopy so that the screws slide into the narrow ends of the slots.
- Tighten the screws securely.

Note: Do not allow the canopy to press against the antenna (or other wires). Otherwise, the wires may be damaged, leading to short circuits or loss of control.

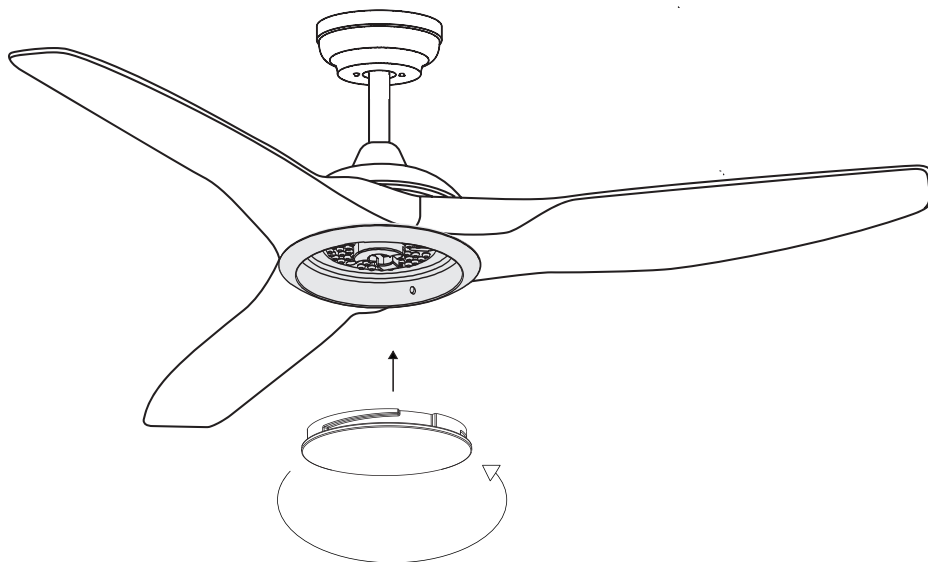
Blade Installation

Fasten fan blades to motor with supplied screws; insert from top side.



Repeat this process for the remaining blades. Tighten all screws securely after all the blades have been installed onto the motor.

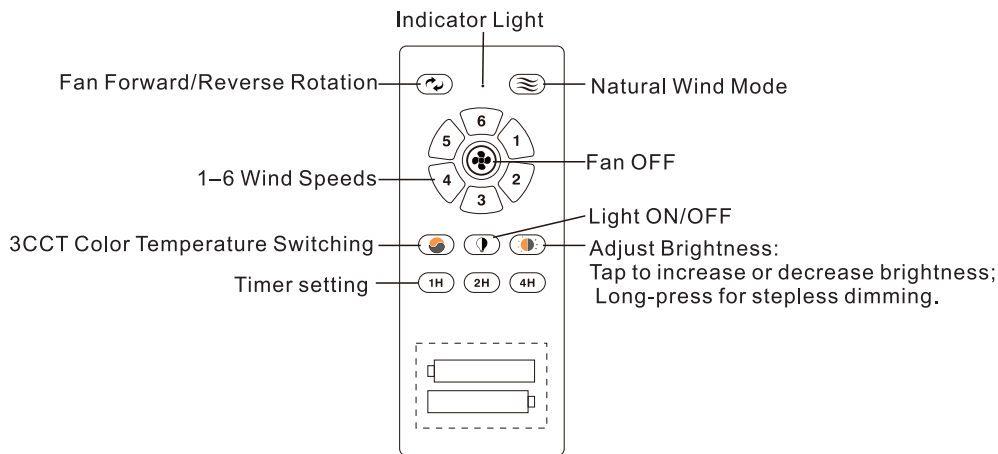
Install the lampshade.



Remote control operation

Note:

- Install two 1.5-volt batteries (1.5V AAA LR03, not included).
- To prevent damage to the transmitter, remove the batteries when the device is not in use for an extended period.
- Do not expose the remote control to extreme heat or high humidity.
- Remote controls may vary depending on the specifications of the ceiling fan. For details on functions and button layouts, refer to the actual product received.



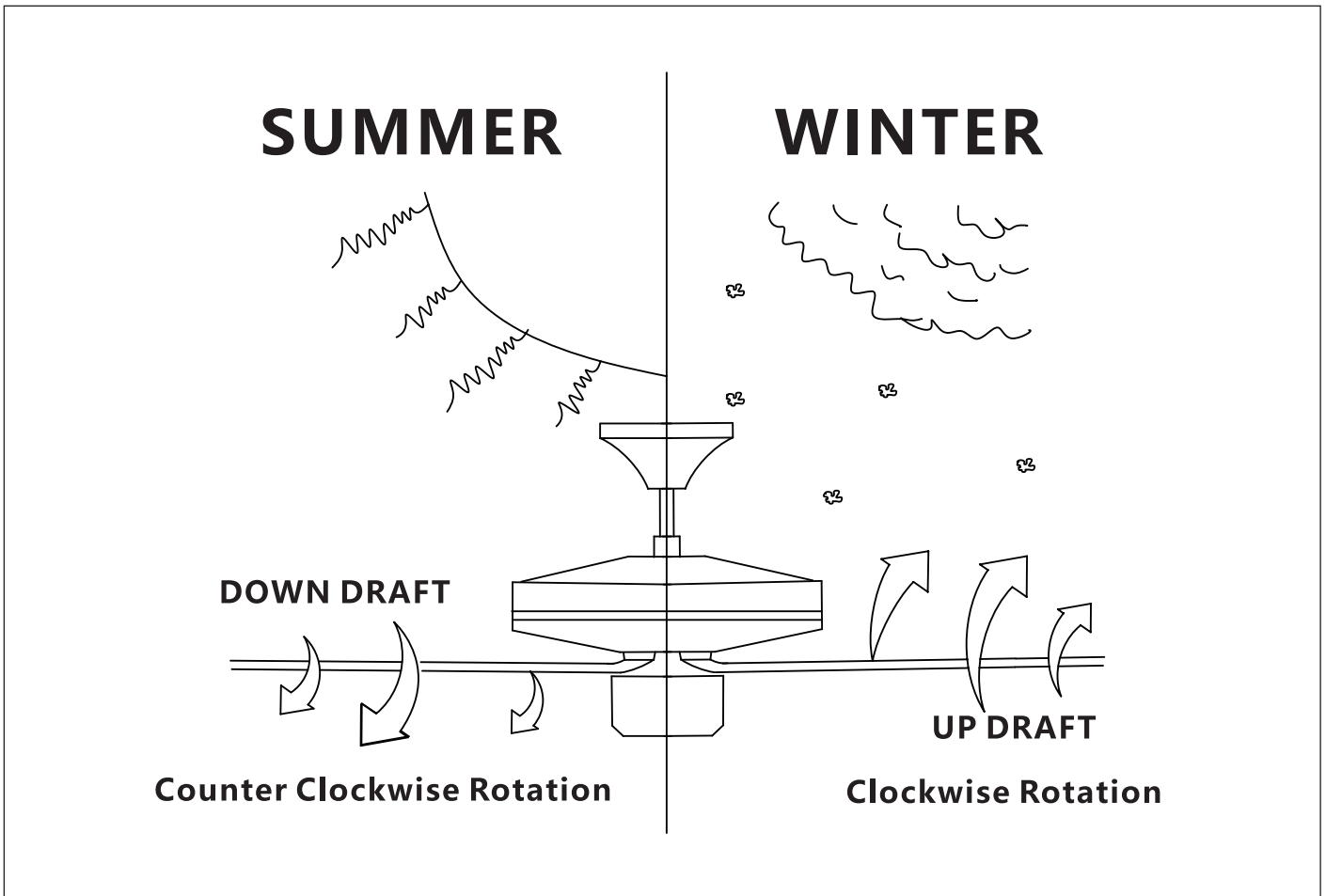
Important Note:

- When the Forward/Reverse button is pressed, the ceiling fan will gradually stop before rotating in the selected direction. This process takes approximately 10 seconds; please wait patiently. Do not press the switch button repeatedly during the transition, as this may cause fan malfunction.
- The light kit will activate automatically when the receiver regains power after an interruption (e.g., power restoration after a power outage or wall switch activation). This is normal operation.
- If the remote control fails to operate the receiver, check whether the batteries in the remote control have sufficient power and replace them with new ones if necessary.
- Your fan remote control and receiver have been pre-paired. The learning mode is only required if control is lost during or after installation. To pair the remote control with the receiver via learning mode, refer to the instruction manual included with the remote control.
- Ceiling fans with remote control functionality are compatible with basic on/off wall switches, but must not be used in conjunction with any other control systems.
- Do not disassemble the remote control to avoid damaging the internal electronic components. restoration after outage or wall switch activation). This is normal operation.

OPERATING YOUR FAN

SUMMER MODE: Airflow is directed downward to provide cooling during summer.

WINTER MODE: Airflow is directed upward to facilitate warm air circulation, helping conserve energy in winter.



REMINDER: Check Fan Mode Settings for Optimal Airflow

For the best cooling performance, please ensure your ceiling fan is set to Summer Mode. In this mode, the blades rotate counterclockwise, pushing air downward to generate a cooling breeze.

NOTE: This ceiling fan is equipped with two airflow modes — Summer Mode (downward airflow) and Winter Mode (upward airflow for warm air circulation). If you encounter weak airflow or no breeze at all, the fan may have been inadvertently switched to Winter Mode.

To verify, observe the direction of blade rotation. If the blades are spinning clockwise, the fan is most likely in Winter Mode. Simply press the mode switch button on your remote control to switch back to Summer Mode (counterclockwise rotation). Additionally, airflow will be reduced if the distance between the fan blades and the nearest surrounding obstacles is less than 50 cm.

TROUBLESHOOTING

WARNING: Failure to disconnect power supply prior to troubleshooting any wiring issues may result in serious injury.

Problems	Solutions
Fan will not start	<ul style="list-style-type: none"> • Check circuit fuses or breakers. • Ensure that the battery in the remote are installed properly and that they still have power. • Check all electrical connections to ensure proper contact.
Fan sounds noisy.	<ul style="list-style-type: none"> • Ensure all motor housing screws are securely fastened. • Ensure all screws attaching the fan blades to the motor hub are fully tightened. • Ensure that wire nut connections do not rub against each other or scrape against the inner wall of the switch housing. • Allow a 24-hour breaking-in period. Most abnormal noises generated by a new ceiling fan will disappear on their own during this period. • If an optional light kit is installed, ensure the lampshade is securely fixed and check that the light source is properly installed. • Use only the variable-speed control that is matched to the product. • Ensure a small gap is maintained between the upper canopy and the ceiling; it must not make direct contact with the ceiling.
Fan wobbles.	<ul style="list-style-type: none"> • Check that all blade and blade arm screws are tight and secure. • Most fan wobbling issues are caused by uneven blade heights. • Check the blade levelness as follows: Select a reference point on the ceiling directly above the rotation path of the fan blades. Measure the distance from this point to the tip of one blade. Rotate the fan until the next blade is positioned at the same measurement point, and repeat this process for all blades. The distance deviation between each blade shall be within 1/8 ”. • If the blade wobble is still noticeable, use the enclosed Blade Balancing Kit for correction. • If the wobbling problem persists after correction, interchange the installation positions of two adjacent blades to redistribute the blade weight, which may result in smoother fan operation.
Light does not work.	<p>Check for loose or disconnected wires in the fan switch housing. Check for loose or disconnected wires in the light kit. Remove the light kit and inspect the plug connections (if equipped).</p>
Fan goes back and forth but does not start.	<p>Check all electrical connections to ensure they are in good contact. If the wiring terminals of the motor or light fixture are poorly connected or broken, cut off the broken terminals and connect the wires directly.</p>

CARE & CLEANING

- Here are some suggestions to help you maintain your fan.
- Due to the fan's natural oscillation during operation, some connections may become loose. Inspect the support joints, mounting brackets, and blade fasteners twice a year. Ensure all components are securely fastened. There is no need to remove the fan from the ceiling for this inspection.
- Clean your fan regularly to preserve its like-new appearance over time. Use only a soft-bristled brush or lint-free cloth to avoid scratching the surface finish. The plated components are coated with a protective lacquer to minimize discoloration and tarnishing.
- Do not use water for cleaning, as this may damage the motor or wooden parts, and could potentially result in an electric shock.
- No oiling is required for this fan—the motor is equipped with permanently lubricated bearings.