

# Assembly Instructions

**Caution : You must read this before you proceed**

## Care & Maintenance



- **Not for commercial use. For residential use only.**



- **Do not put hot items directly on furniture surface.**



- **Do not clean furniture with harsh cleansers or polish.**



- **Do not place furniture under direct sunlight.**



- **Do not place furniture near heating or cooling vents.**



- **Do not write on furniture without a padded barrier to protect the surface.**



- **Do not place furniture outside . For indoor use only.**



- **Furniture may scratch floors. We recommend using furniture pads to protect your floors.**



- **Stains may be removed with mild soap solution and damp cloth.**



- **Children should not climb or jump on the furniture.**



- **Dust and pick-up spills using a clean, non-colored, lint-free cloth.**



# WARNING!!

Children have died from furniture tipover. Tip restraints have been included with this product; you must install the tip restraints according to these instructions in order to minimize the risk of furniture tipping. If you have any questions about this product or the tip restraint, please send us an email at [tip\\_restraint\\_help@Noblehousefurniture.com](mailto:tip_restraint_help@Noblehousefurniture.com)

**NEVER** allow children to climb or hang on furniture, including drawers or cabinet doors.

In addition to installing the restrains, to help prevent tip-over

1. **NEVER** put a TV or other heavy objects on top of this product".
2. Do not stand on the product

<b>⚠ WARNING</b>	
	<p><b>Children have died from furniture tipover. To reduce the risk of furniture tipover:</b></p> <ul style="list-style-type: none"><li>• ALWAYS install tipover restraint provided.</li><li>• NEVER put a TV on this product.</li><li>• NEVER allow children to stand, climb or hang on drawers, doors, or shelves.</li><li>• NEVER open more than one drawer at a time.</li><li>• Place heaviest items in the lowest drawers.</li><li>• Do not defeat or remove the drawer interlock system.</li></ul>
	<p><i>This is a permanent label. Do not remove!</i></p>

# Assembly Instructions

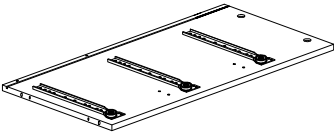
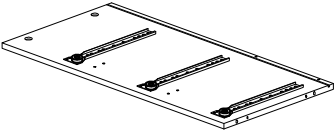
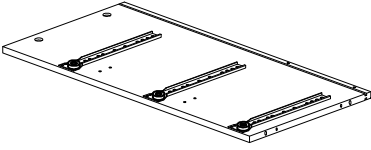
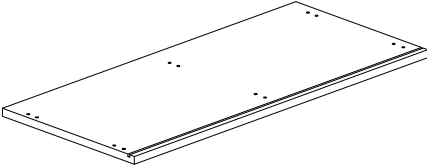
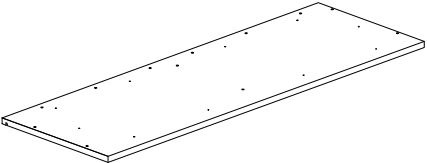
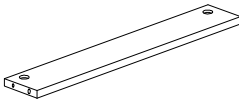
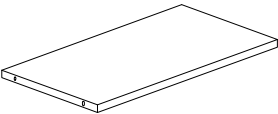
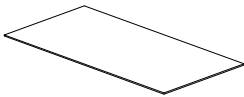
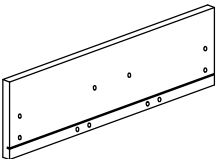
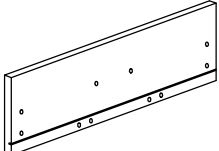
**Caution : You must read this before you proceed**

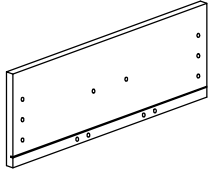
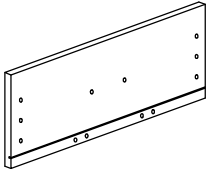
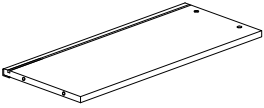
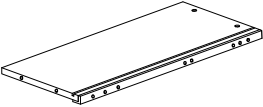
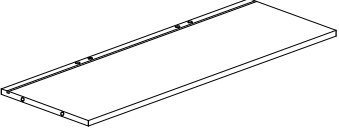
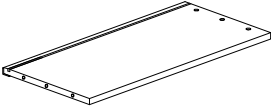
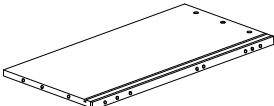
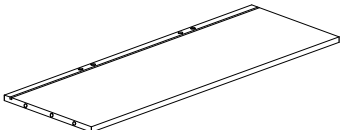

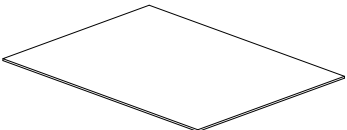
**Please look in \*\*\*\*\* for hardware packs and legs.  
Sets often ship in multiple boxes and may arrive a day or two apart.**


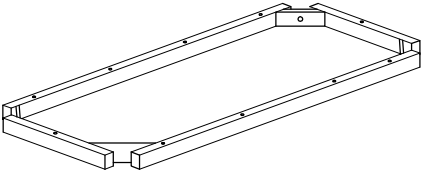
## **CHEST**



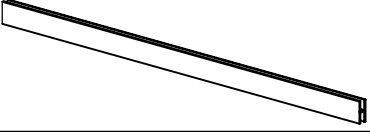
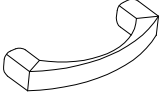







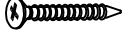
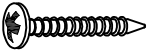

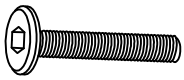



# Parts List

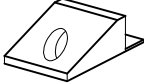
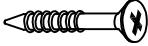
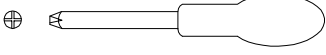
Label	Picture	Description	QTY
A		Right Side Panel	1
B		Left Side Panel	1
C		Centre Panel	1
D		Top Panel	1
E		Bottom Panel	1
F		Front Support	4
G		Back Support	2
H		Back Panel	4
I		Drawer Front Right - Small	1
J		Drawer Front Left - Small	1

Label	Picture	Description	QTY
K		Drawer Front Right - Large	2
L		Drawer Front Left - Large	2
M		Drawer Right Panel - Small	2
N		Drawer Left Panel - Small	2
O		Drawer Back Panel - Small	2
P		Drawer Right Panel - Large	4
Q		Drawer Left Panel - Large	4
R		Drawer Back Panel - Large	4
S		Drawer Bottom Support	12
T		Drawer Base	6

Label	Picture	Description	QTY
U		Leg	4
V		Wooden Frame	1

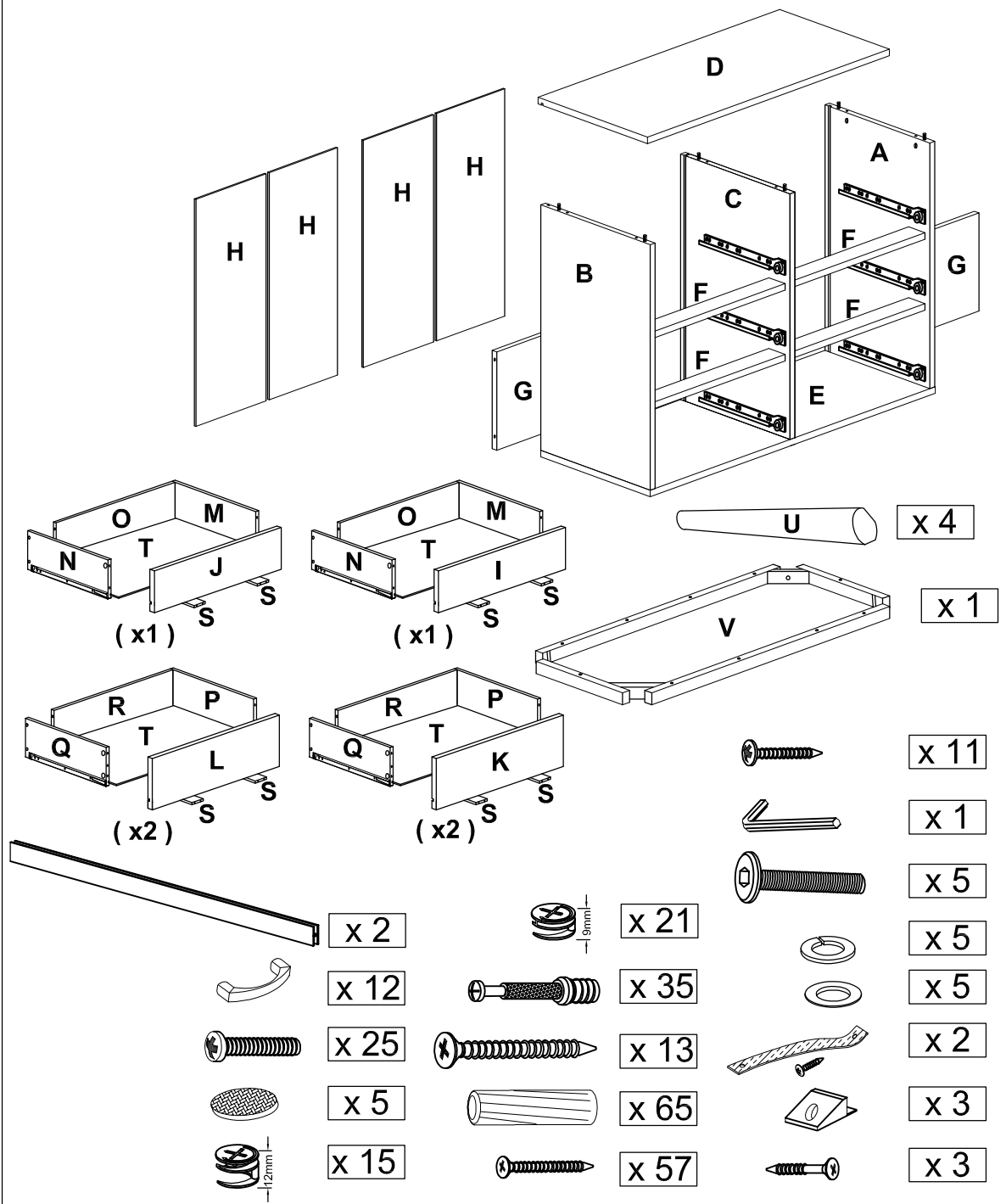
# Hardware

Label	Picture	Description	QTY
①		Pvc H	2
②		Handle	12
③		Pan Head Screws (M4 x 19mm)	25
④		Leveler	5
⑤		Large Camlock (15 X 12mm)	15
⑥		Small Camlock (15 X 9mm)	21
⑦		Cam Bolt	35
⑧		Flat Head Screws (M8 x 38mm)	13
⑨		Wood Dowel (Ø6 X 30mm)	65
⑩		Flat Head Screws (M3.5 x 25mm)	57
⑪		Pan Head Screws (M8 x 30mm)	11
⑫		Allen Wrench (M5)	1
⑬		Allen Head Bolt (M8 X 70MM)	5
⑭		Spring Washer	5
⑮		Flat Washer	5
⑯		Anti Tip Strap + Screw	2

Label	Picture	Description	QTY
17		Backply Stopper	3
18		Flat Head Screws (M3 x 20mm)	3
19		Screw Driver (Not Provided)	1

# Assembly Preparation

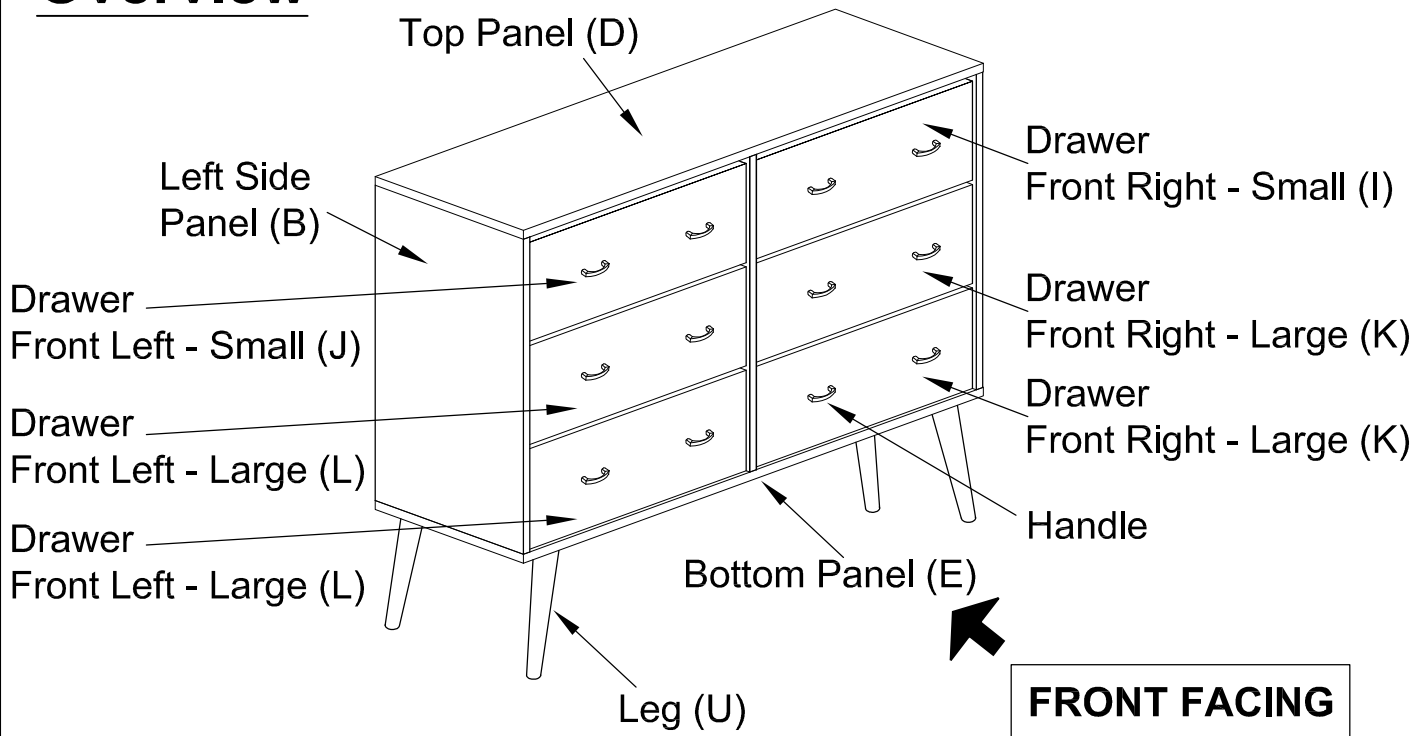
Before Beginning Assembly



- Read instructions, cover to cover-
- Have 2 adults on hand for assembly-
- Do not assemble on flooring or carpet-
- Assemble on a clean non-marring surface (packing foam)-
- Save all packaging until finished-

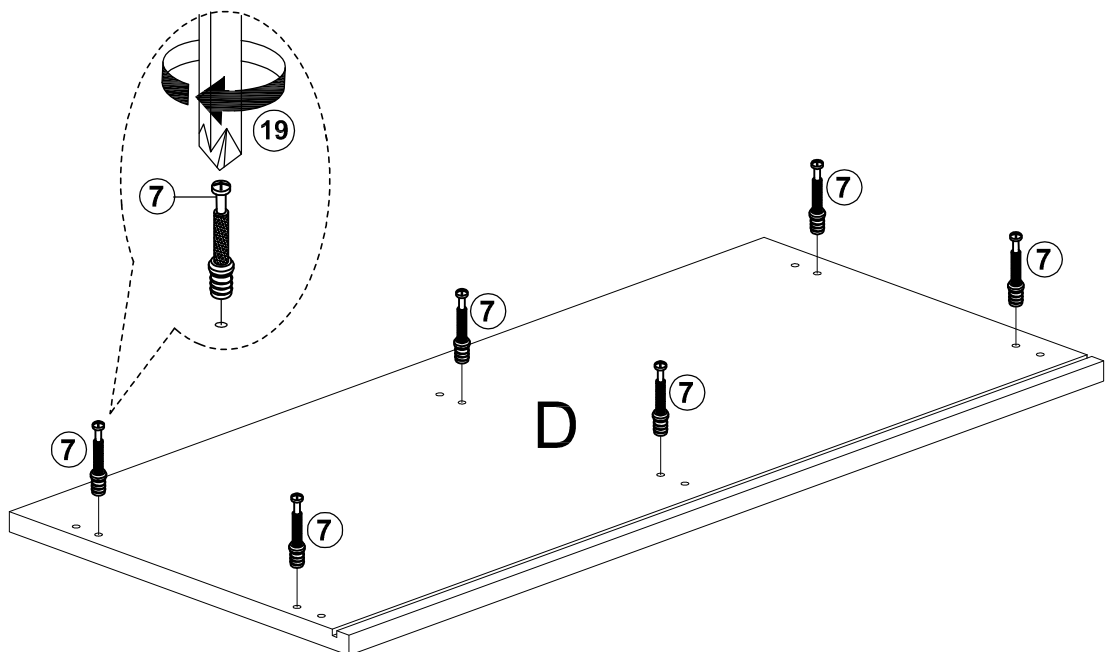
# Assembly Steps

## Overview



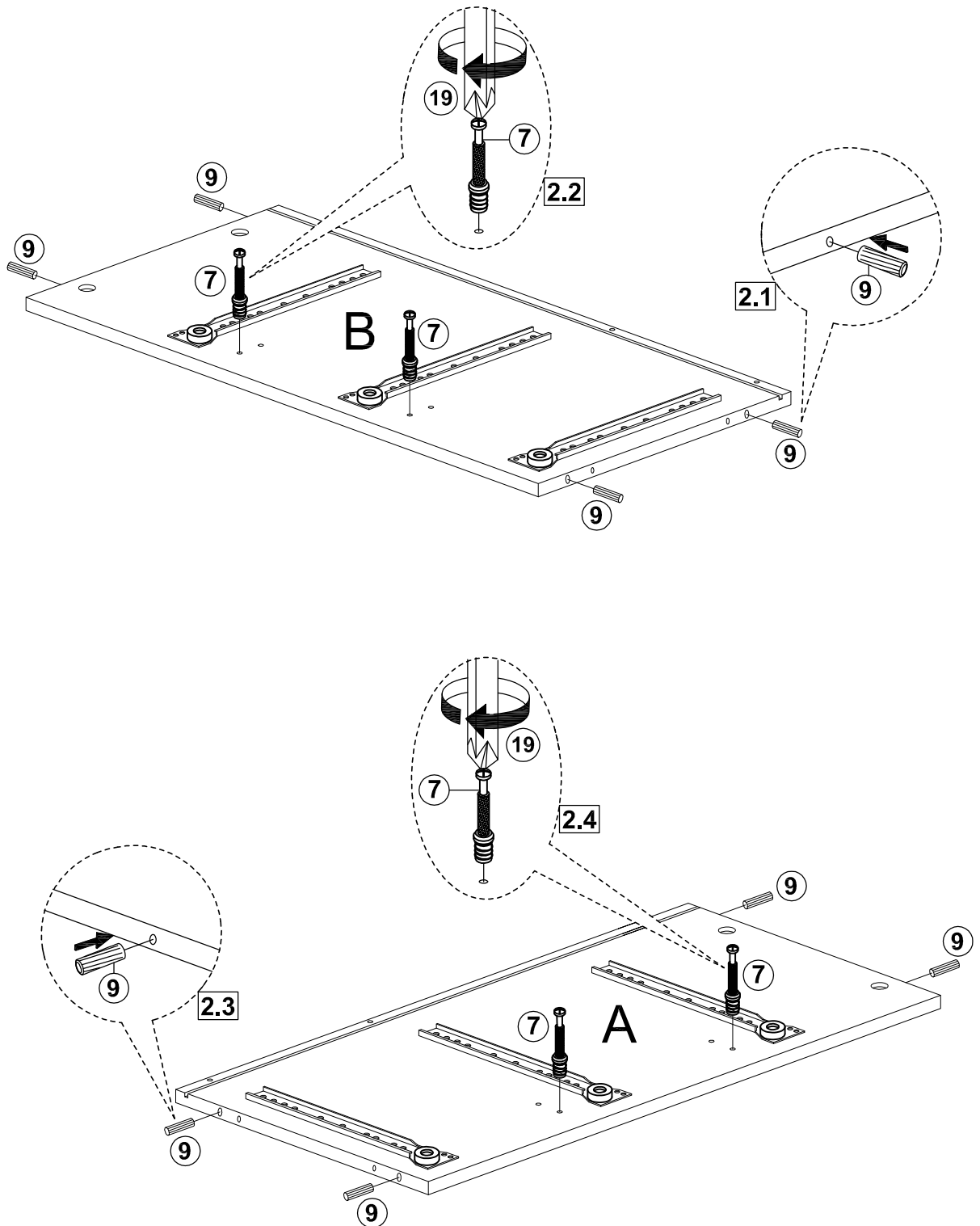
This Chest has multiple parts and may require up to 60 minutes to assemble. To give you an overview of the Chest, the above picture is to help you put the various parts into perspective. Please read through the instructions here below to familiarize yourself with the parts and steps before assembly.

## Step 1



Unpack and place all parts on a clean, non-marring surface.  
Attach Cam Bolts (7) to the mounting positions on the Top Panel (D) with a Screw Driver (19).

## Step 2



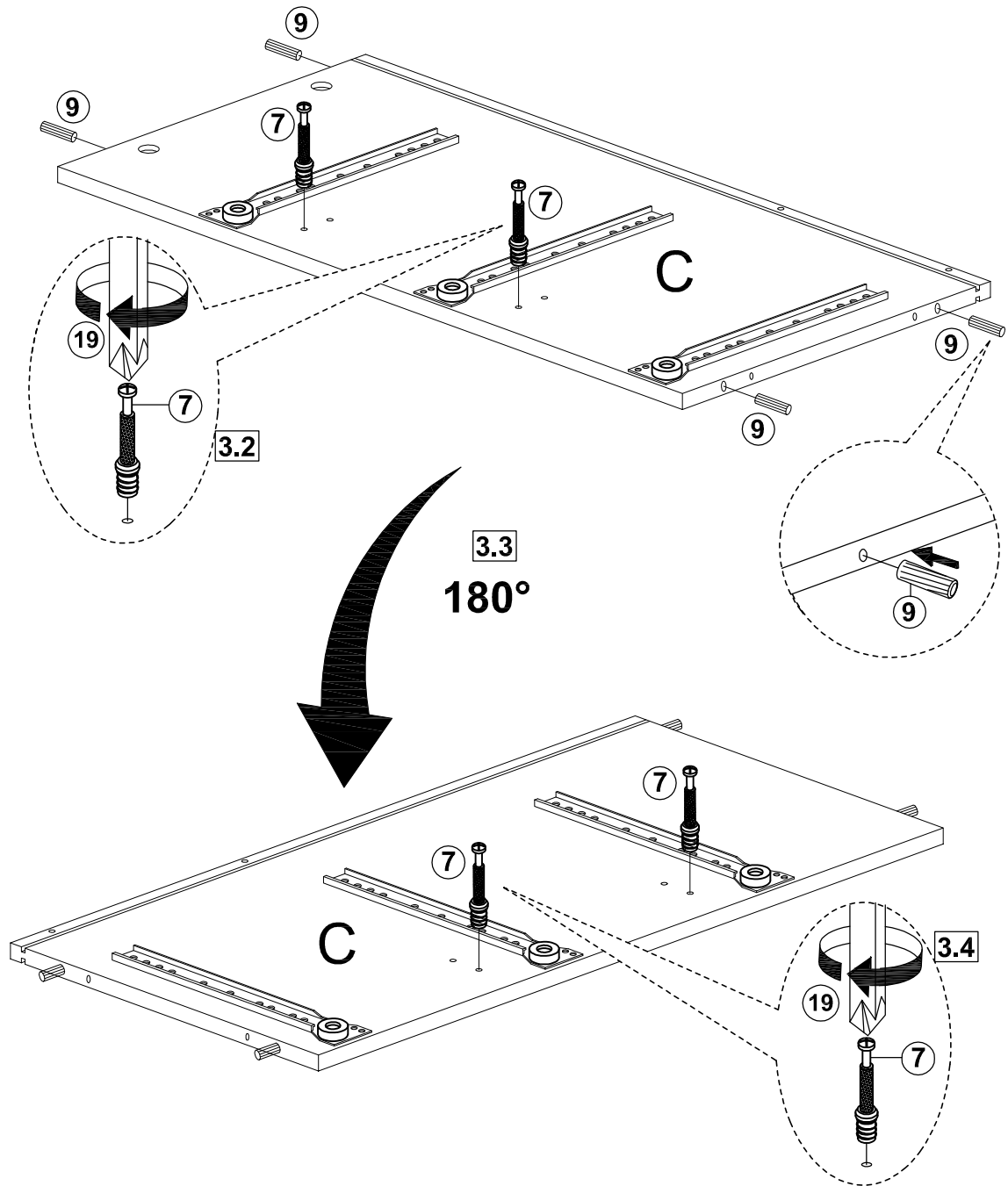
**2.1** Insert Wood Dowels (9) into the mounting positions on the side edge of the Left Side Panel (B).

**2.2** Attach Cam Bolts (7) into the mounting positions on Left Side Panel (B) with a Screw Driver (19).

**2.3** Insert Wood Dowels (9) into the mounting positions on the side edge of Right Side Panel (A).

**2.4** Attach Cam Bolts (7) into the mounting positions on Right Side Panel (A) with the Screw Driver (19).

## Step 3



**3.1)** Insert Wood Dowels (9) into the mounting positions on the side edge of Centre Panel (C).

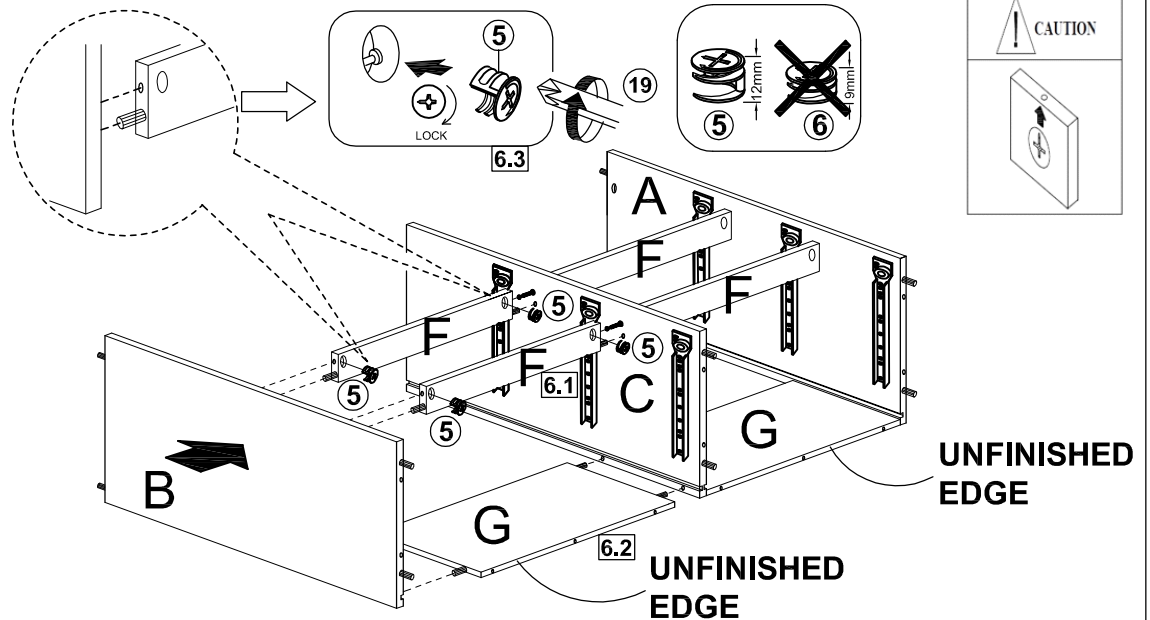
**3.2)** Attach Cam Bolts (7) into the mounting positions in the Centre Panel (C) using a Screw Driver (19).

**3.3)** Turn the Centre Panel (C) over.

**3.4)** Attach Cam Bolts (7) into the mounting positions in the Centre Panel (C) using a Screw Driver (19).



## Step 6



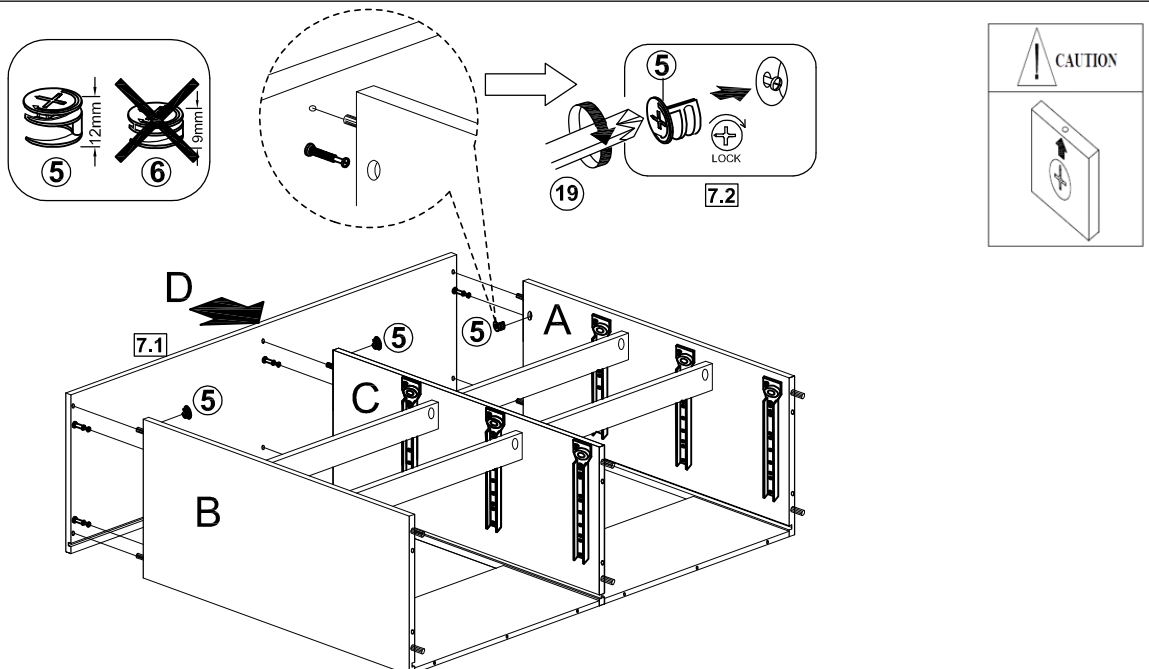
**6.1)** Position Front Support (F) and Back support (G) to Left Side Panel (B) & Centre Panel (C) as shown.

**6.2)** Attach Back Support (G) & Front Support (F) to Left Side Panel (B) & Centre Panel (C) via the wood dowels and the Cam-bolts, respectively.

**6.3)** Insert the Cam-locks (5) into the mounting positions on Front Support (F) and turn clockwise to lock onto the cam-bolts using a Screw Driver (19).

**CAUTION:** Insert the Cam-locks (5) per the correct orientation as indicated in the above picture.

## Step 7

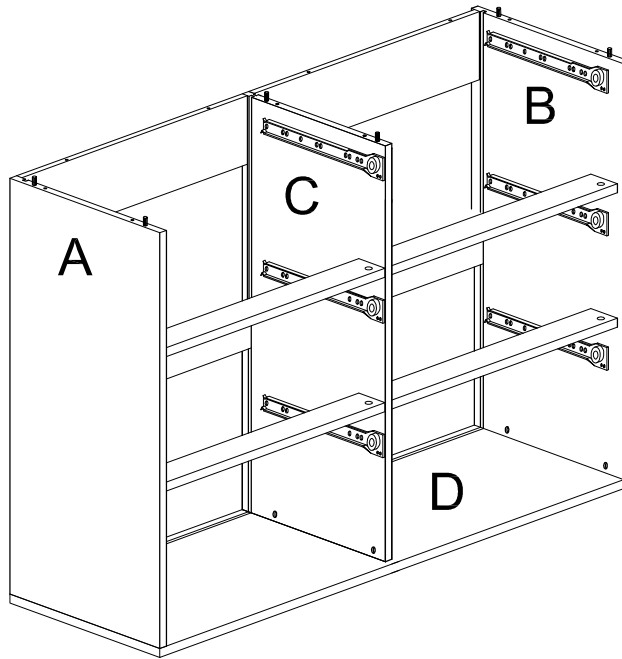


**7.1)** Attach Top Panel (D) to Right Side Panel (A), Left Side Panel (B) & Centre Panel (C) via the dowels and Cam-bolts on Right Side Panel (A), Left Side Panel (B) & Centre Panel (C).

**7.2)** Insert the Cam-locks (5) into the mounting positions on Right Side Panel (A), Left Side Panel (B) & Centre Panel (C) and turn clockwise to lock onto the cam-bolts using a Screw Driver (19).

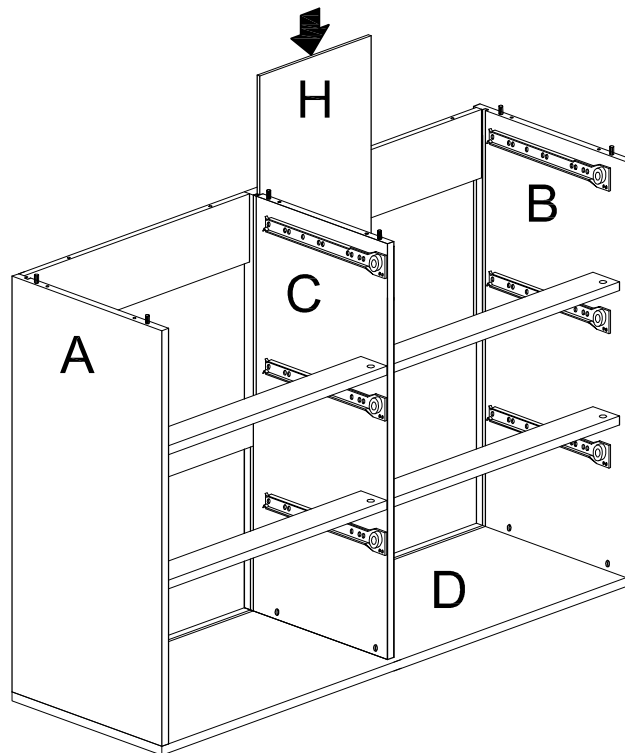
**CAUTION:** Insert the Cam-locks (5) per the correct orientation as indicated in the above picture.

## Step 8



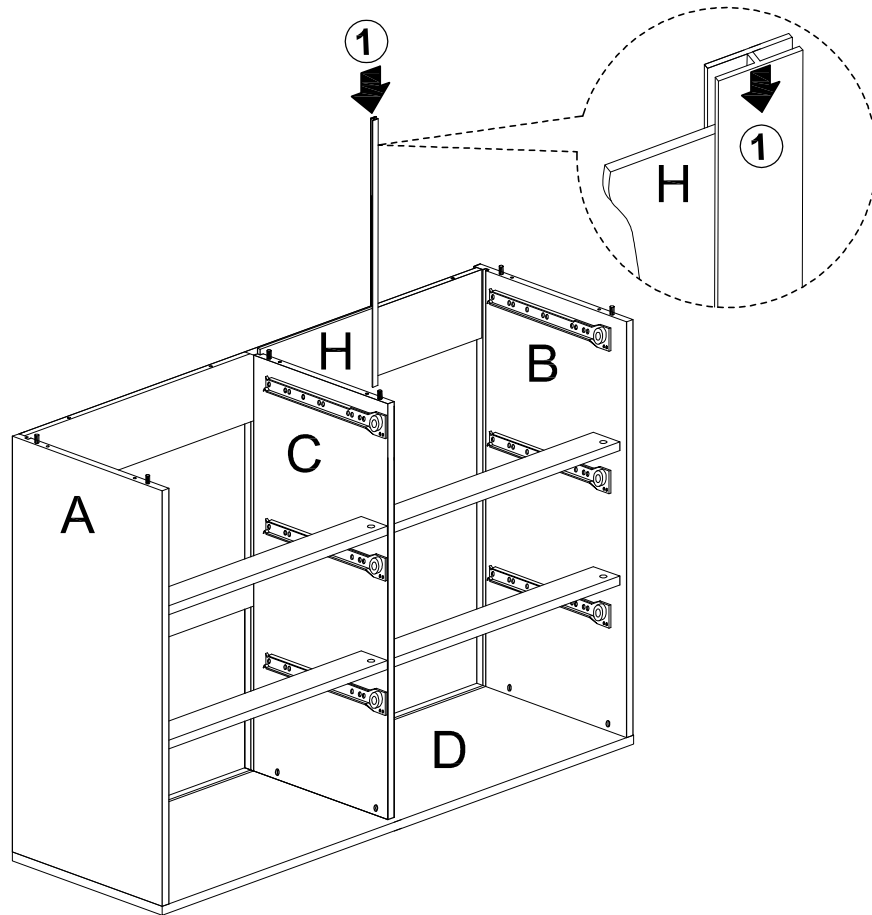
Place assembly unit in STEP 8 upright to sit on the Top Panel (D) as shown.

## Step 9



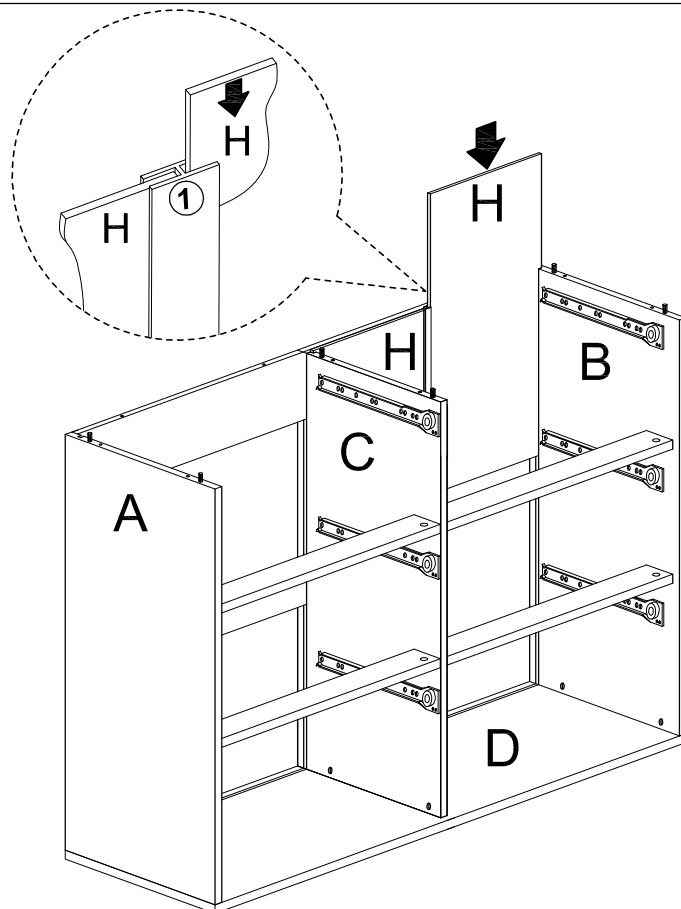
Fit one of the Back Panels (H) to Centre Side Panel (C) by inserting it into the groove as shown.

## Step 10



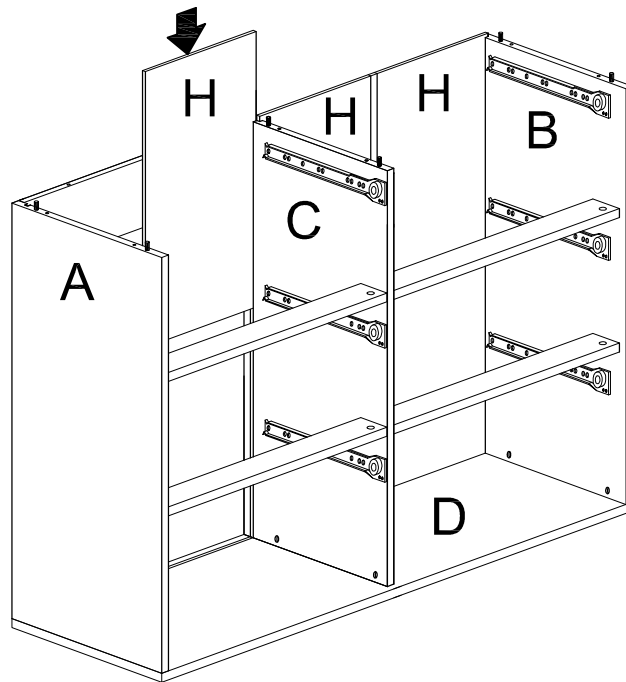
Slide the PVC-H (1) in lengthwise to joint the Back Panels (H) as shown.

## Step 11



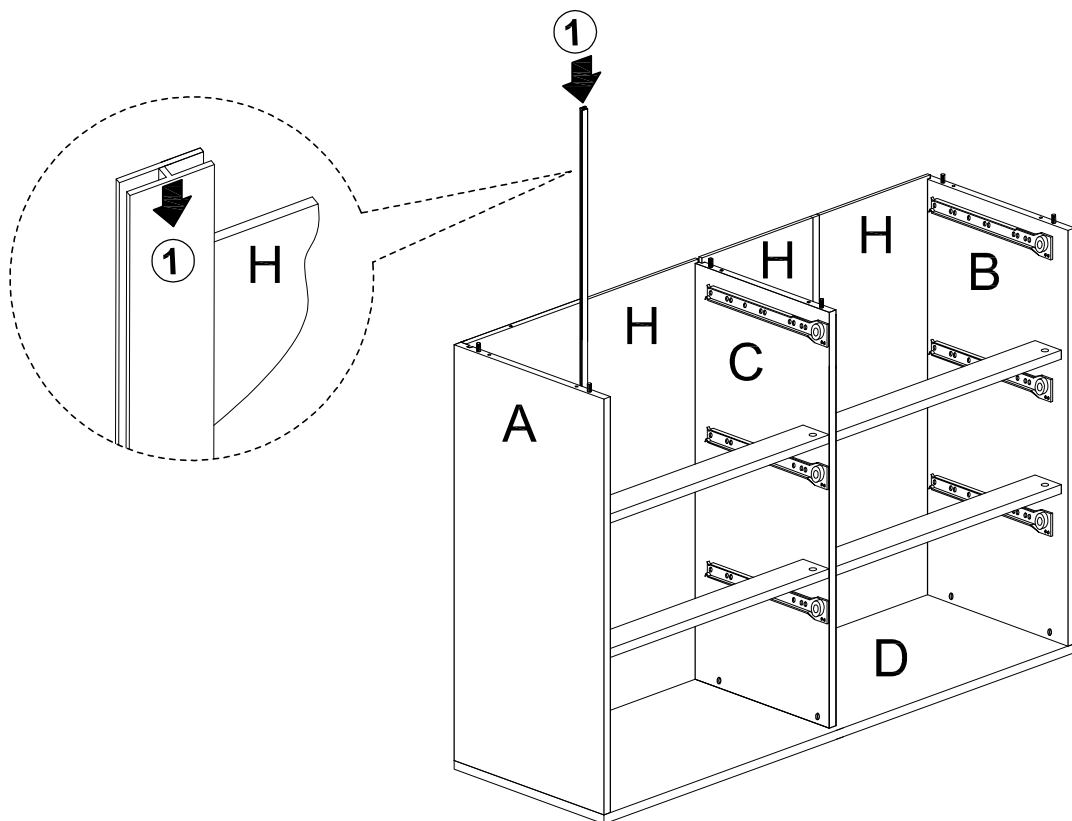
Fit another Back Panel (H) by inserting it into the grooves on Left Side Panel (B) and Pvc H (1) as shown.

## Step 12



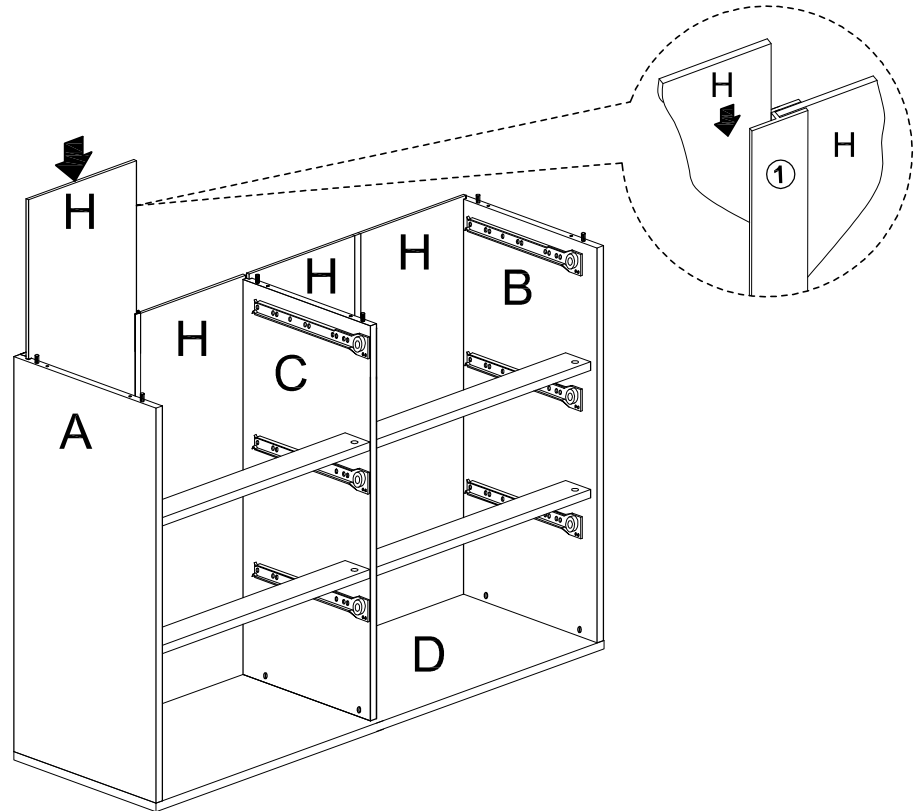
Fit another Back Panel (H) to the other side of Centre Panel (C) by inserting into the groove as shown.

## Step 13



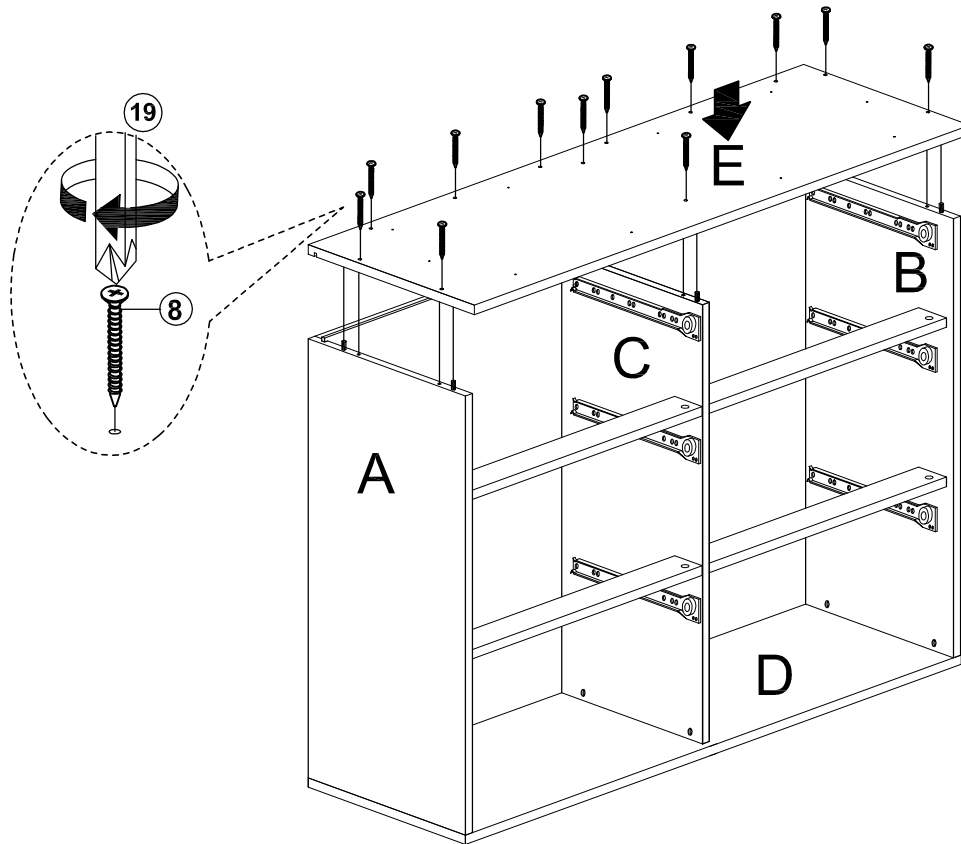
Slide the PVC-H (1) in lengthwise to joint Back Panels (H) as shown.

## Step 14



Fit in the last Back Panel (H) by inserting it into the grooves on Right Side Panel (A) and Pvc H (1) as shown.

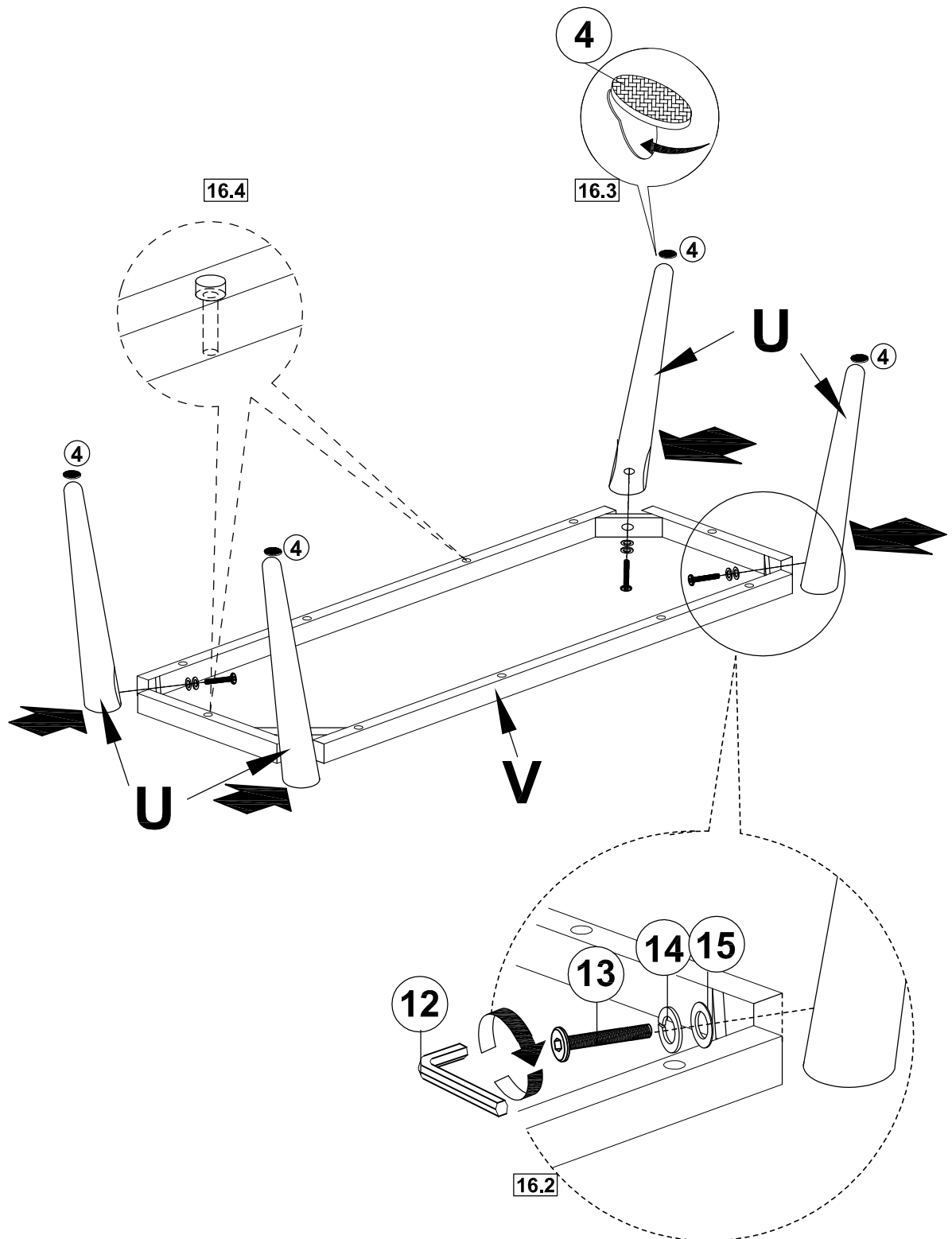
## Step 15



**15.1)** Attach Bottom Panel (E) to Right Side Panel (A), Left Side Panel (B) & Centre Panel (C) via the wood dowels on the respective parts.

**15.2)** Use Flat Head Screw (8) to fasten Bottom Panel (E) to Right Side Panel (A), Left Side Panel (B) and Centre Panel (C) using Screw Driver (19).

## Step 16



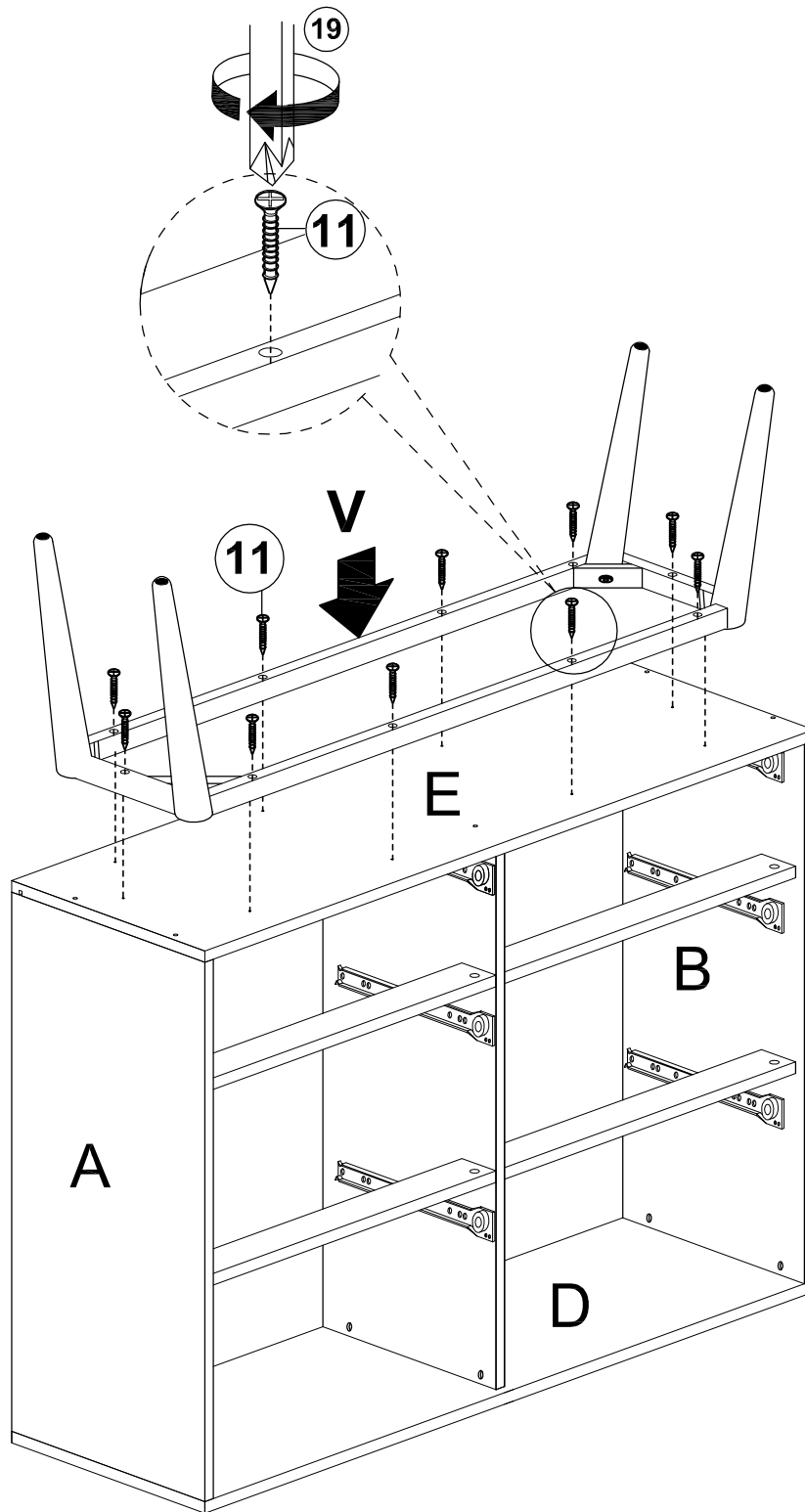
**16.1)** Identify and position Leg (U) to Wooden Frame (V) as shown.

**16.2)** Use Allen Wrench (12) to fasten Allen Head Bolt (13) fitted with Spring Washer (14) and Flat Washer (15) to fasten each leg to the wooden frame. Do not tighten bolt completely until both bolts are in place on each leg.

**16.3)** Paste a leveler (4) on the bottom of the Leg (U).

**16.4) Note : Bigger holes are facing up when assembly.**

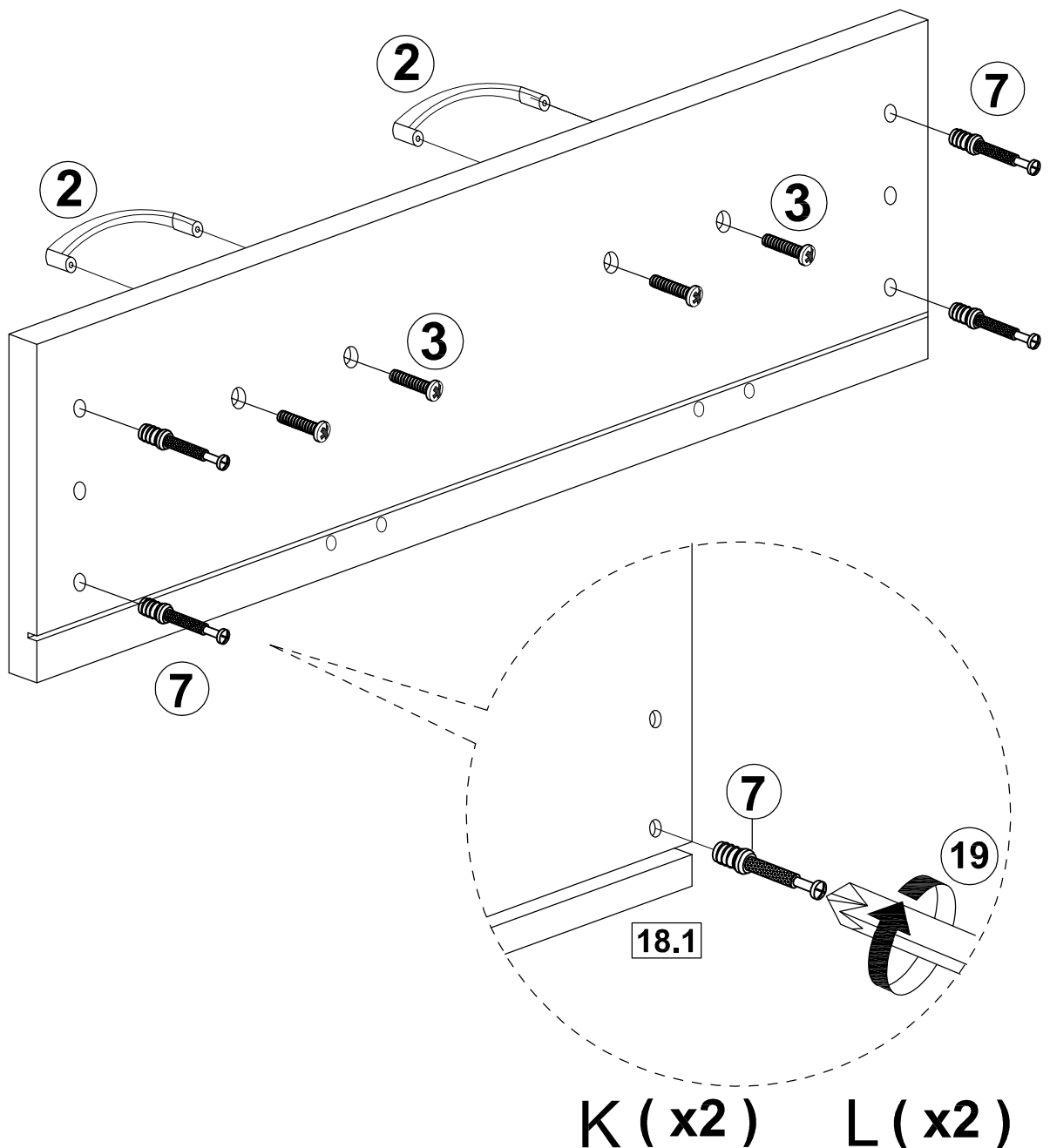
## Step 17



**17.1)** Position Leg (U) & Wooden Frame (V) as shown and align the mounting positions on the Wooden Frame (V) to the mounting positions on the bottom side of Bottom Panel (E).

**17.2)** Use screws (11) to fasten on the Wooden Frame (V) using a Screw Driver (19).

## Step 18



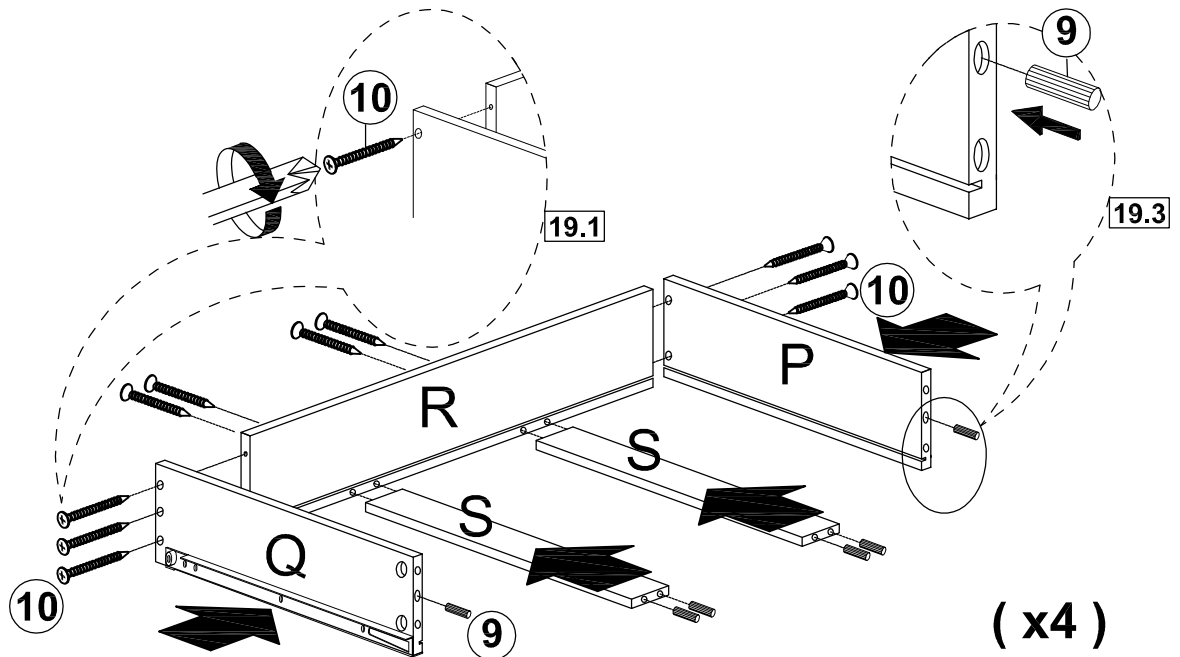
**18.1)** Use a screw driver (19) to screw in Cam Bolts (7) into the mounting positions on the inside face of Drawer Front Right - Large (K) & Drawer Front Left - Large (L) as shown.

Note : It is easier to screw in the Cam Bolts with the drawer front laid flat down - take care not to scratch or damage the front face of the Drawer Front panel.

**18.2)** Position Drawer Front Right - Large (K) & Drawer Front Left - Large (L) vertically as shown.

Align the mounting positions of the Drawer Handles to the bolt holes on Drawer Front Right - Large (K) & Drawer Front Left - Large (L). Insert Pan Head Bolts (3) through the bolt holes on Drawer Front Right - Large (K) & Drawer Front Left - Large (L) to thread into the bolt holes on the handles (2). Use a screw driver to screw in the Pan head bolt - do not tighten the bolts fully until both bolts are in place.

## Step 19



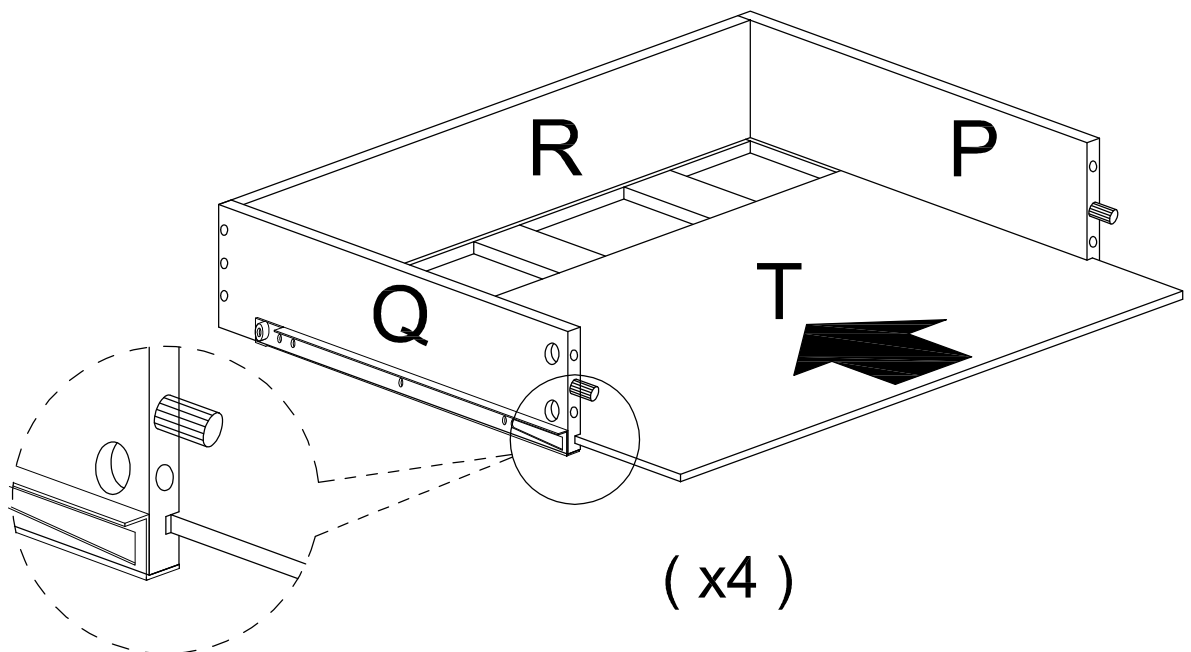
**19.1)** Attach Drawer Right Panel - Large (P) & Drawer Left Panel - Large (Q) to Drawer Back Panel - Large (R) as shown-note the groove on each panel is at the bottom. Use Flat Head Screws (10) to fasten side panels to back panel.

Do not tighten screws completely until all screws are in place in each panel.

**19.2)** Align the mounting positions on Drawer Bottom Support (S) to the screw holes on Drawer Back Panel (R) and use Flat Head Screws (10) to fasten Drawer Bottom Support (S) to Drawer Back Panel (R).

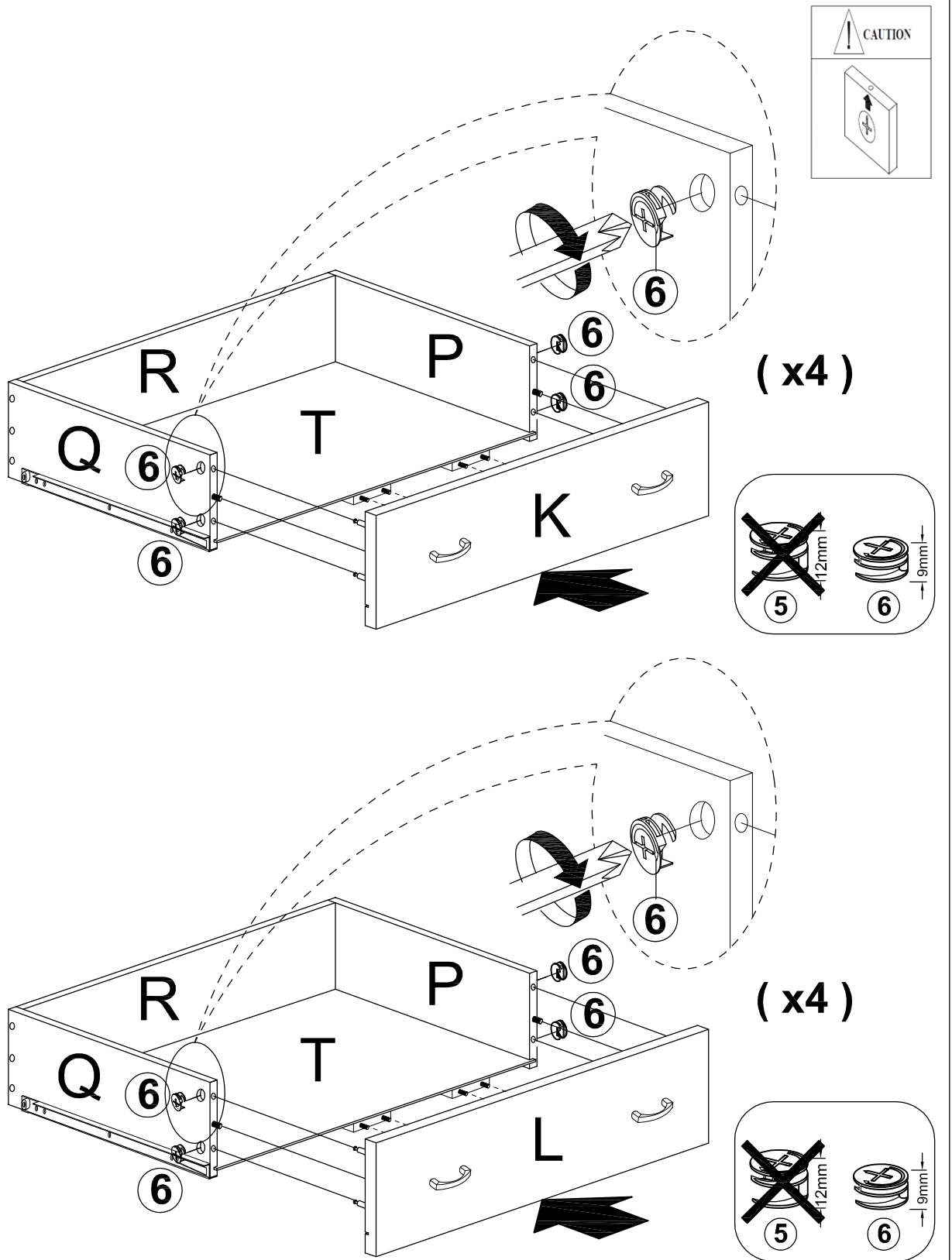
**19.3)** Insert Wood Dowels (9) into the mounting positions on the front edge of Drawer Right Panel - Large (P), Drawer Left Panel - Large (Q) and Drawer Bottom Support (S).

## Step 20



Slide the Drawer Base (T) into the grooves on Drawer Right Panel - Large (P), Drawer Back Panel - Large (R) and Drawer Left Panel - Large (Q).

## Step 21

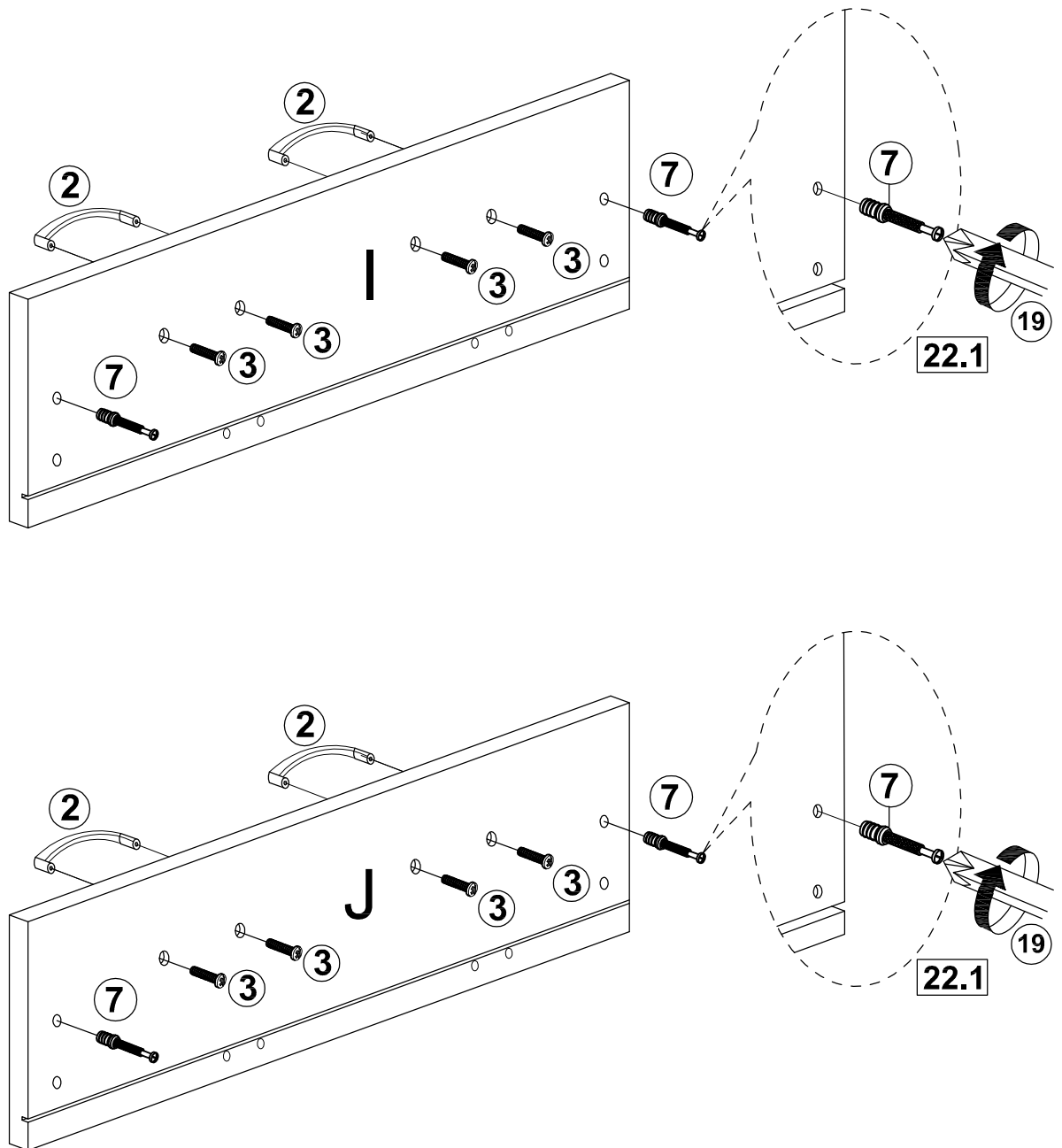


**21.1)** Attach Drawer Front Right (K) and Drawer Front Left (L) to Drawer Right Panel - Large (P) and Drawer Left Panel - Large (Q) via the cam-bolts and the wood dowels on the respective parts. Check that the front edge of Drawer Base (T) fits into the groove on Drawer Front Right (K) and Drawer Front Left (L).

**21.2)** Insert Drawers Cam-locks (6) into the mounting positions on Drawer Right Panel - Large (P) and Drawer Left Panel - Large (Q) and turn clockwise to lock onto the cam-bolts.

**CAUTION:** Insert the Cam-locks (6) per the correct orientation as indicated in the above picture.

## Step 22

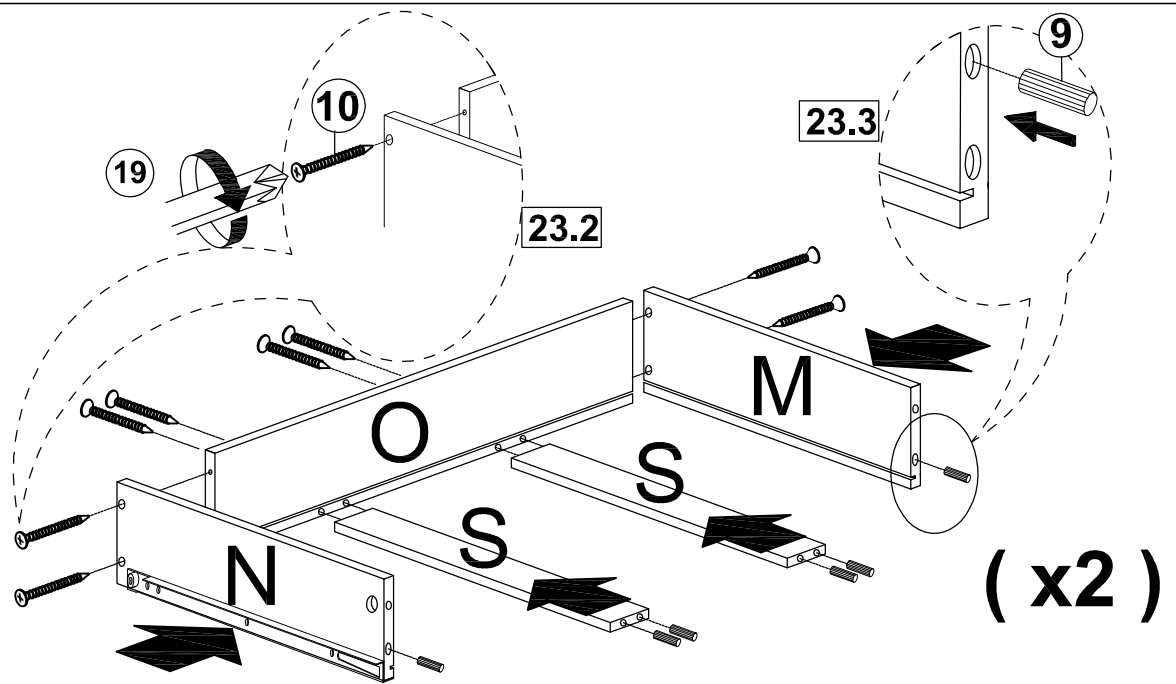


**22.1)** Use a Screw Driver (19) to screw Cam Bolts (7) into the mounting holes on the inside face of Drawer Front Right - Small (I) and Drawer Front Left - Small (J) as shown.

Note : It is easier to screw in Cam Bolts with the drawer front laid flat down - take care not to scratch or damage the front face of the Drawer Front panel.

**22.2)** Position Drawer Front Right - Small (I) and Drawer Front Left - Small (J) vertically as shown. Align the mounting positions on the Drawer Handles to bolt holes on Drawer Front Right - Small (I) and Drawer Front Left - Small (J). Insert Pan Head Bolts (3) through the bolt holes on Drawer Front Right - Small (I) and Drawer Front Left - Small (J) to thread into the bolt holes on the handles (2). Use a screw driver to screw in the Pan head bolts - do not tighten the bolts fully until both bolts are in place.

## Step 23



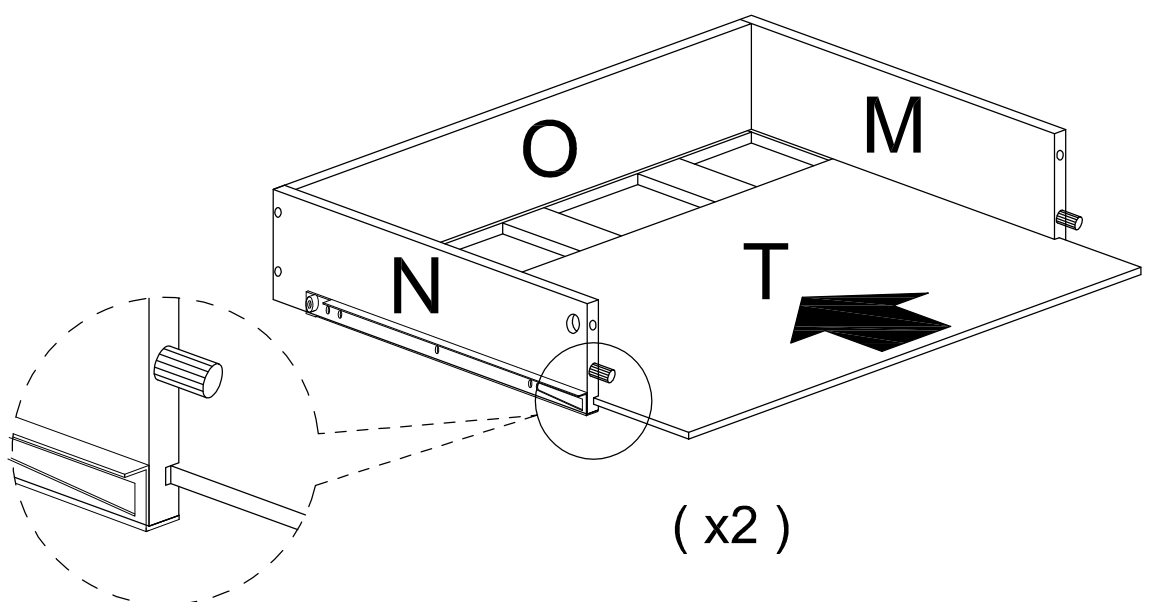
**23.1)** Attach Drawer Right Panel - Small (M) and Drawer Left Panel - Small (N) to Drawer Back Panel - Small (O) as shown-note the grooves on each panel are at the bottom. Use Flat Head Screws (10) to fasten side panels to back panel.

Do not tighten screws completely until all screws are in place in each panel.

**23.2)** Align the mounting positions on Drawer Bottom Support (S) to the mounting positions on Drawer Back Panel - Small (O) and use Flat Head Screws (10) to fasten Drawer Bottom Support (S) to Drawer Back Panel - Small (O).

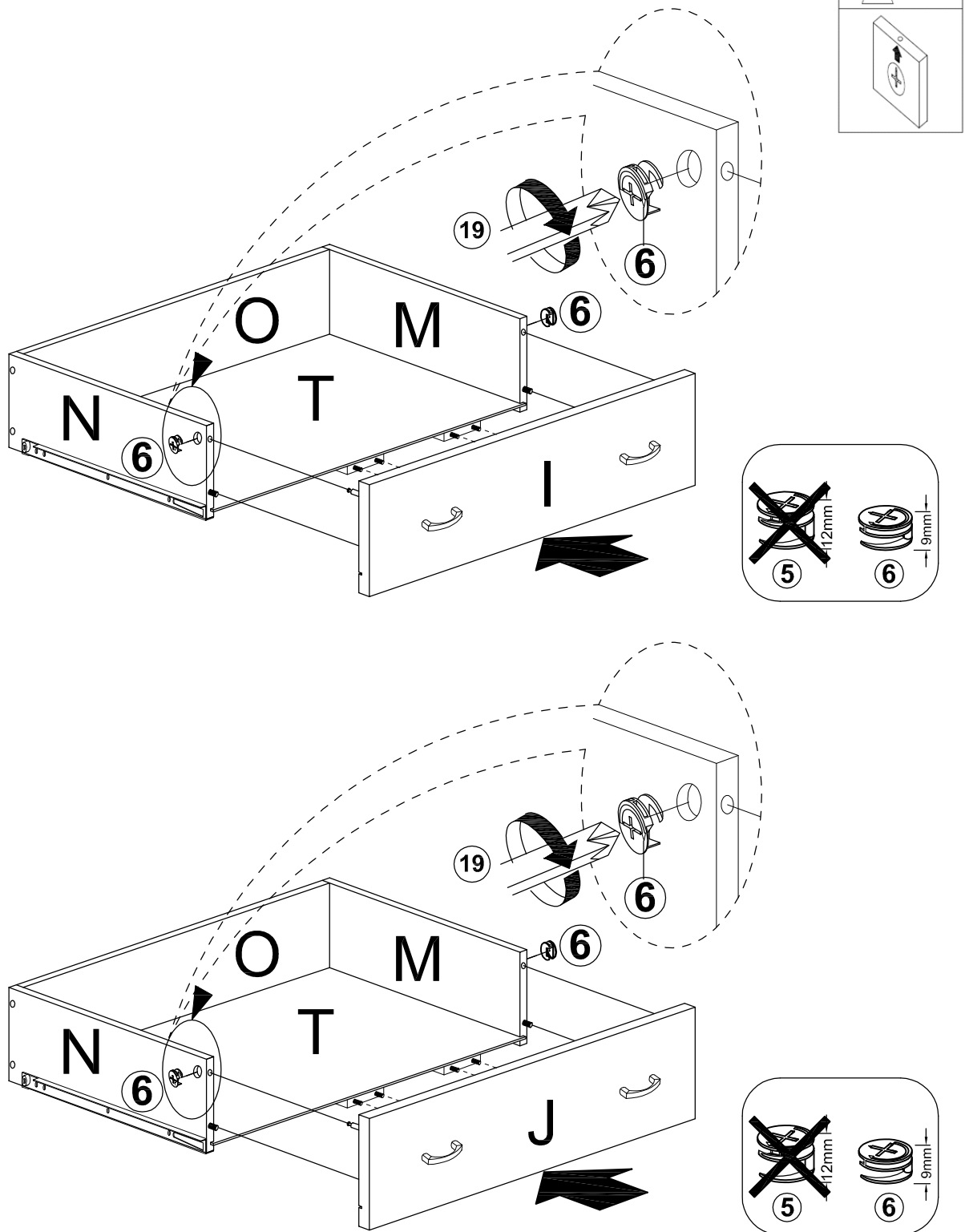
**23.3)** Insert Wood Dowels (9) into the designated holes on the front edge of Drawer Right Panel - Small (M), Drawer Left Panel - Small (N) and Drawer Bottom Support (S).

## Step 24



Slide the Drawer Base (T) into the grooves on Drawer Right Panel - Small (M), Drawer Left Panel - Small (N) and Drawer Back Panel (O).

## Step 25

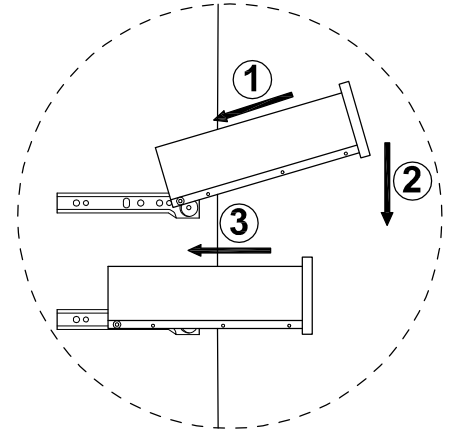
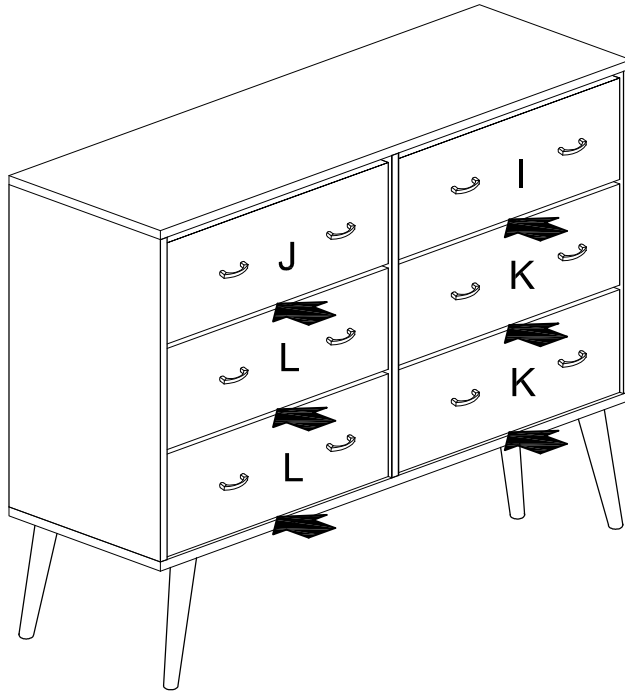


**25.1)** Attach Drawer Front Right - Small (I) and Drawer Front Left - Small (J) to Drawer Right Panel - Small (M) and Drawer Left Panel - Small (N) via the cam-bolts and the wood dowels on the respective parts. Check that the front edge of Drawer Base (T) fits into the groove on Drawer Front Right - Small (I) and Drawer Front Left - Small (J).

**25.2)** Insert Drawer Cam-locks (6) into the mounting positions on Drawer Right Panel - Small (M) and Drawer Left Panel - Small (N) and turn clockwise to lock onto the cam-bolt.

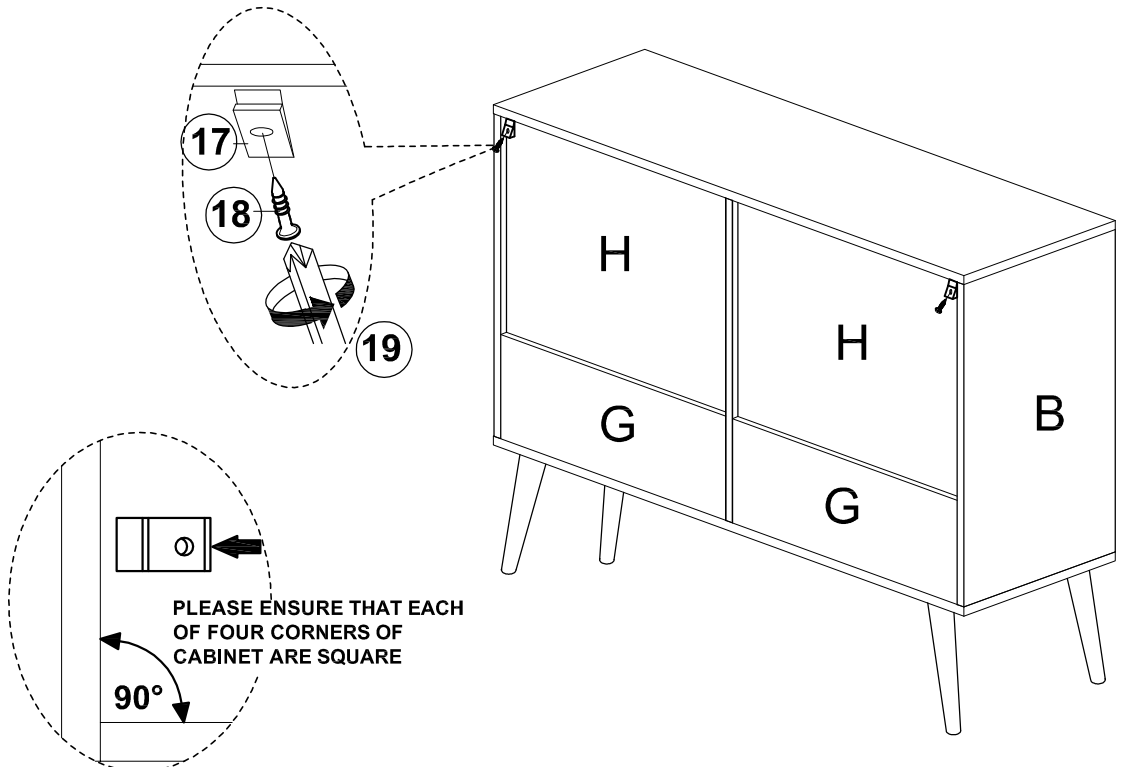
**CAUTION:** Insert the Cam-locks (6) per the correct orientation as indicated in the above picture.

## Step 26



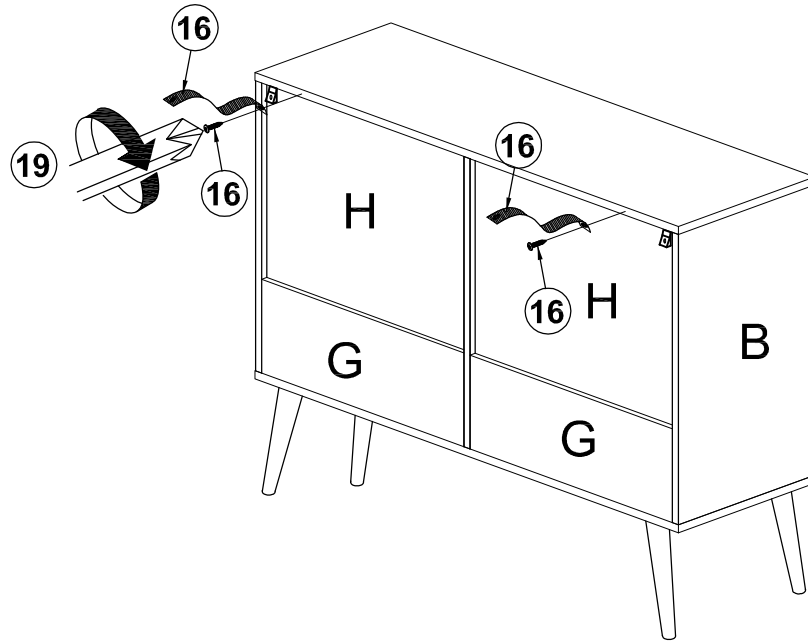
Place the Drawer assembly in place by aligning the rails.

## Step 27



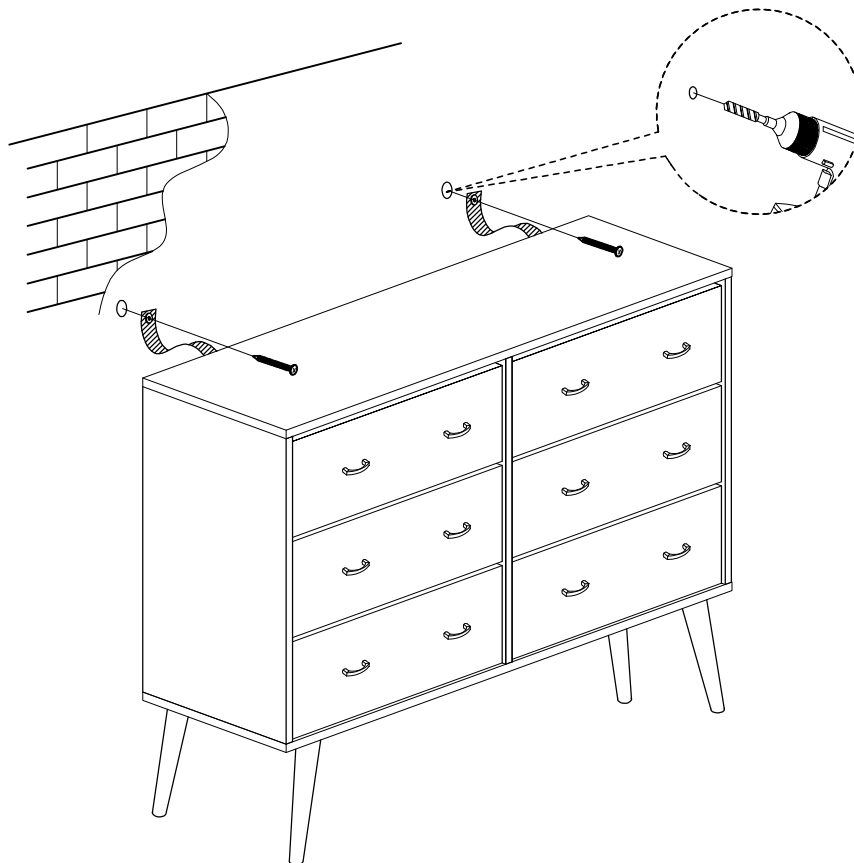
Use Screw Driver (19) to affix Backply Stoppers (17) and Flat Head Screws (18) in the location on Back Panel (H) as shown.

## Step 28



Insert the screws through Straps (16) at the marked sticker area on the back side edge of Top Panel (D) and drive in the screws using a Screw Driver (19).

## Step 29



**29.1)** Drill a hole in the wall and insert the wall anchor / Rawl plug.

**29.2)** Insert screws through straps and drive the screws into a wall anchor / Rawl Plug

**NOTE :** Wall fixings are not supplied with this product as different wall materials require different types of fixing devices (such as Rawl plugs on brick work). You must use fixing devices suitable for the type of wall you intend to mount this product to. Please ensure that the head of any screw used has a diameter greater than the diameter of the mounting hole on the anti-tip strap and that the fixing is safe and secure before use.

The screw supplied is to affix the anti-tip strap to the cabinet.



## WARNING

Serious or fatal crushing injuries can occur from tipping furniture.  
To help prevent tip-over: **ALWAYS** secure this furniture to the wall using  
Cabinet Restraint Device.  
See product instructions for more ways to help prevent furniture tip-over.



**Step 30**



Your Chest is ready for use.

## **Questions & Answers about Proposition 65**

### **• What is Proposition 65?**

**Proposition 65 requires businesses to provide warnings to Californians about significant exposures to chemicals that cause cancer, birth defects or other reproductive harm. These chemicals can be in the products that Californians purchase, in their homes or workplaces, or that are released into the environment. By requiring that this information be provided, Proposition 65 enables Californians to make informed decisions about their exposures to these chemicals. Proposition 65 also prohibits California businesses from knowingly discharging significant amounts of listed chemicals into sources of drinking water.**

**Proposition 65 requires California to publish a list of chemicals known to cause cancer, birth defects or other reproductive harm. This list, which must be updated at least once a year, has grown to include approximately 900 chemicals since it was first published in 1987.**

### **• What types of chemicals are on the Proposition 65 list?**

**The list contains a wide range of naturally occurring and synthetic chemicals that include additives or ingredients in pesticides, common household products, food, drugs, dyes, or solvents. Listed chemicals may also be used in manufacturing and construction, or they may be byproducts of chemical processes, such as motor vehicle exhaust.**