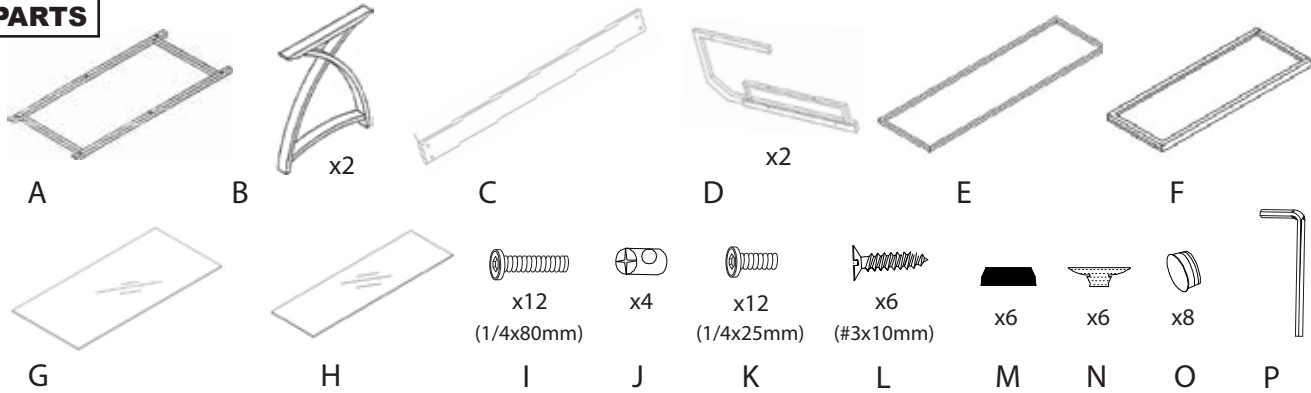


Desk

Assembly Instructions
Instrucciones De Asamblea
Instructions d'Assemblée

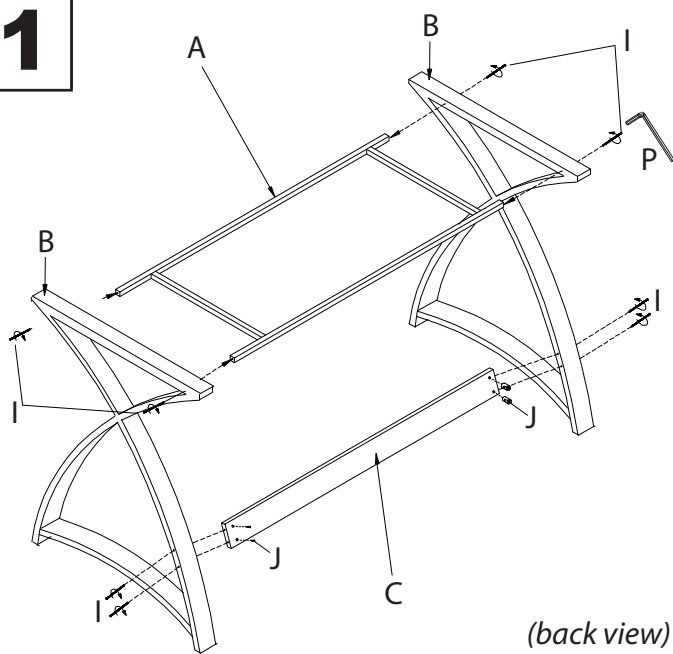
PARTS



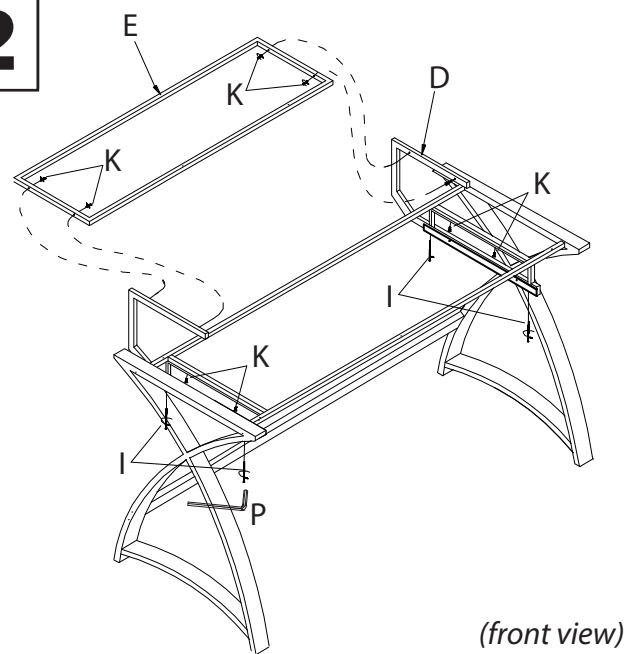
TOOLS



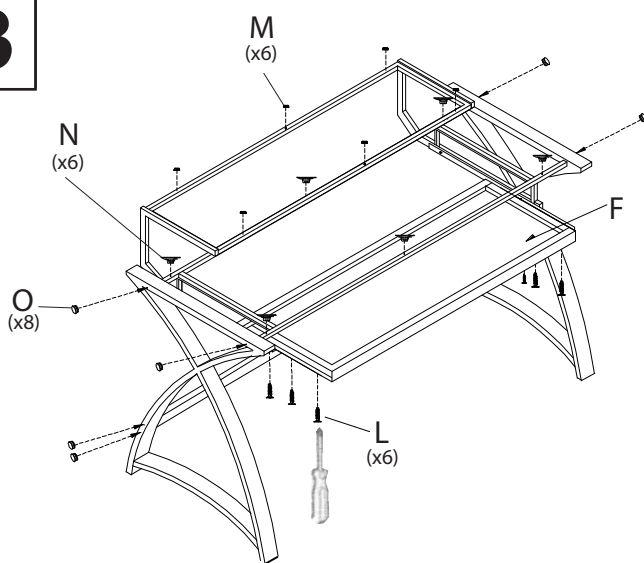
1



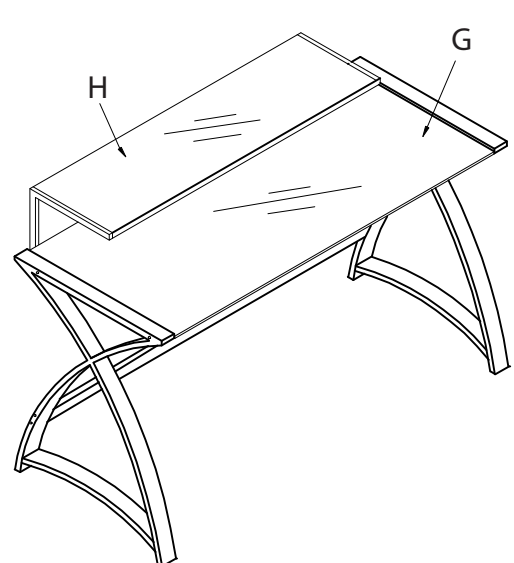
2



3



4



Do not over tighten.
Do not use power tools to assemble.