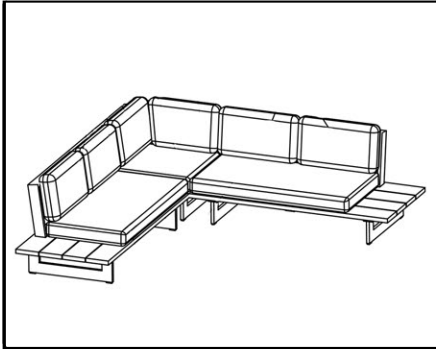


ASSEMBLY INSTRUCTIONS

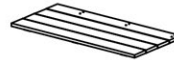


+ Parts Included

- ① Bench Backrest Frame (2 pcs) ② Left Bench Seat Frame (1 pcs)



- ③ Right Bench Seat Frame (1 pcs) ④ Corner Sofa Backrest Frame (2 pcs)



- ⑤ Corner Sofa Seat Frame (1 pcs) ⑥ Sofa Leg (6 pcs)



- ⑦ Small Back Cushion (1 pcs) ⑧ Large Back Cushion (5 pcs)



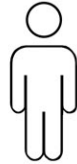
- ⑨ Small Seat Cushion (1 pcs) ⑩ Small Seat Cushion (2 pcs)



+ Do Not Use Power Tools



+ Suggested Adults



NOTE:

- 1 Read instructions cover to cover.
- 2 Save all packaging until assembly is completed.

1 IMPORTANT SAFETY INFORMATION

Do not assemble the product if any of the following parts arrived damaged:

Part #1 - Backrest Frame

Part #2 - Seat Frame

Part #3 - Table Leg

2 IMPORTANT ASSEMBLY INFORMATION

Assembly Step Use A, B, C to connect Part 1 to Part 6

+ Hardware Included

- A Small Screw & Nut (24 pcs)



- B Medium Screw & Nut (16 pcs)



- C Large Screw & Nut (4 pcs)



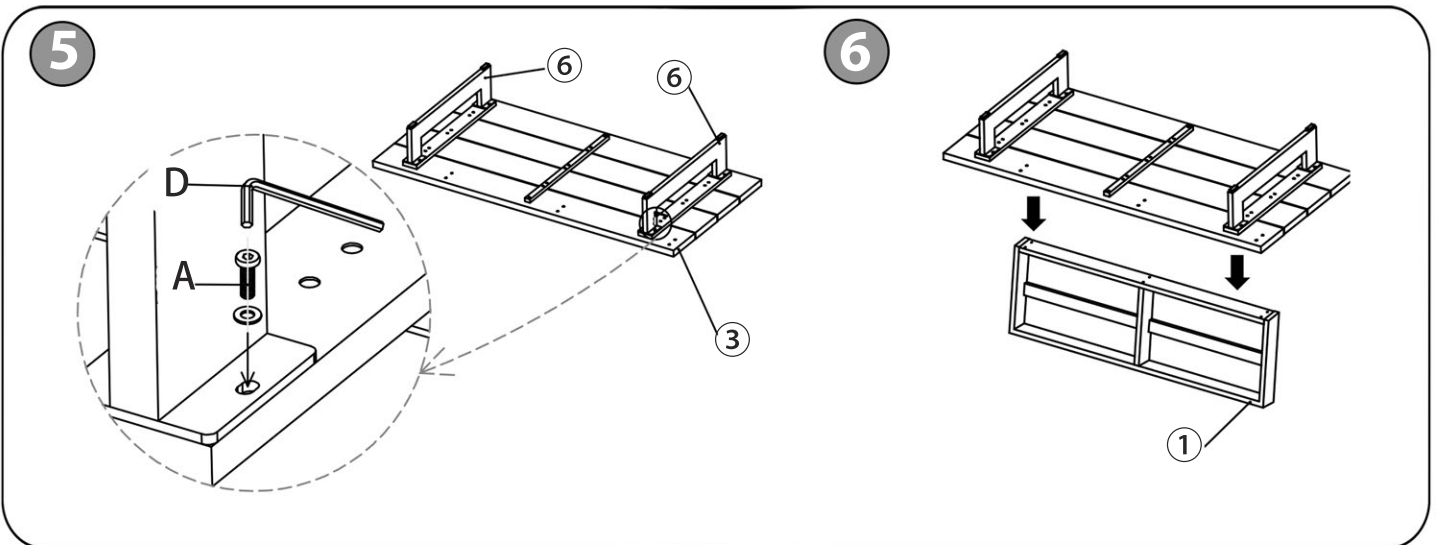
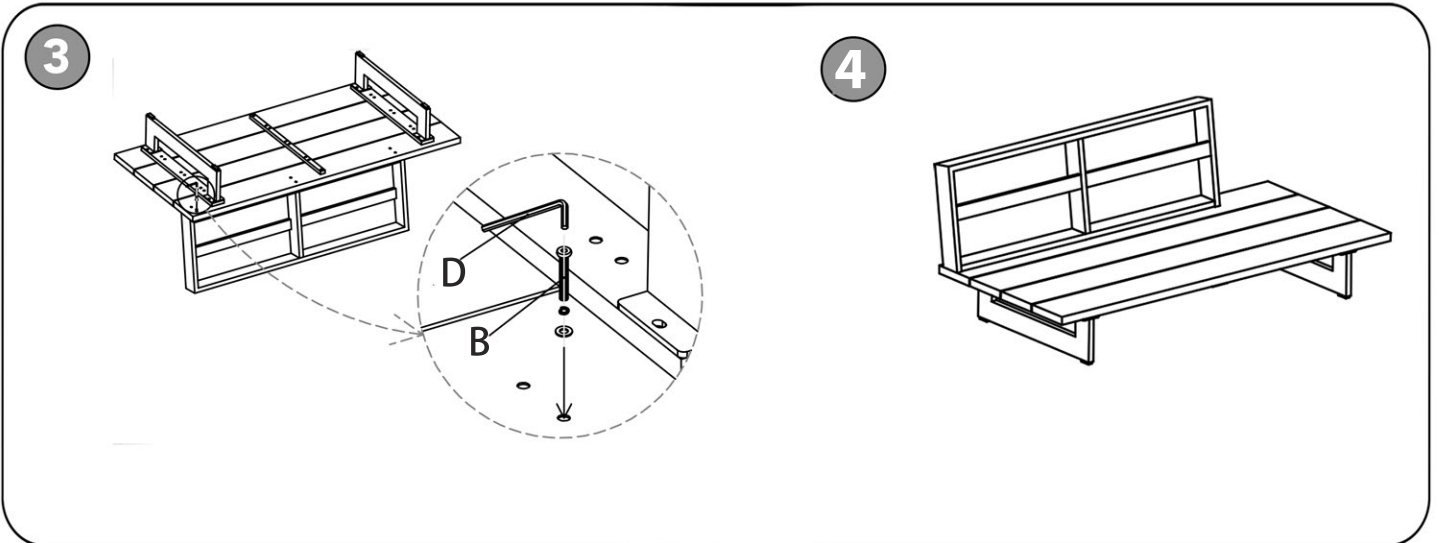
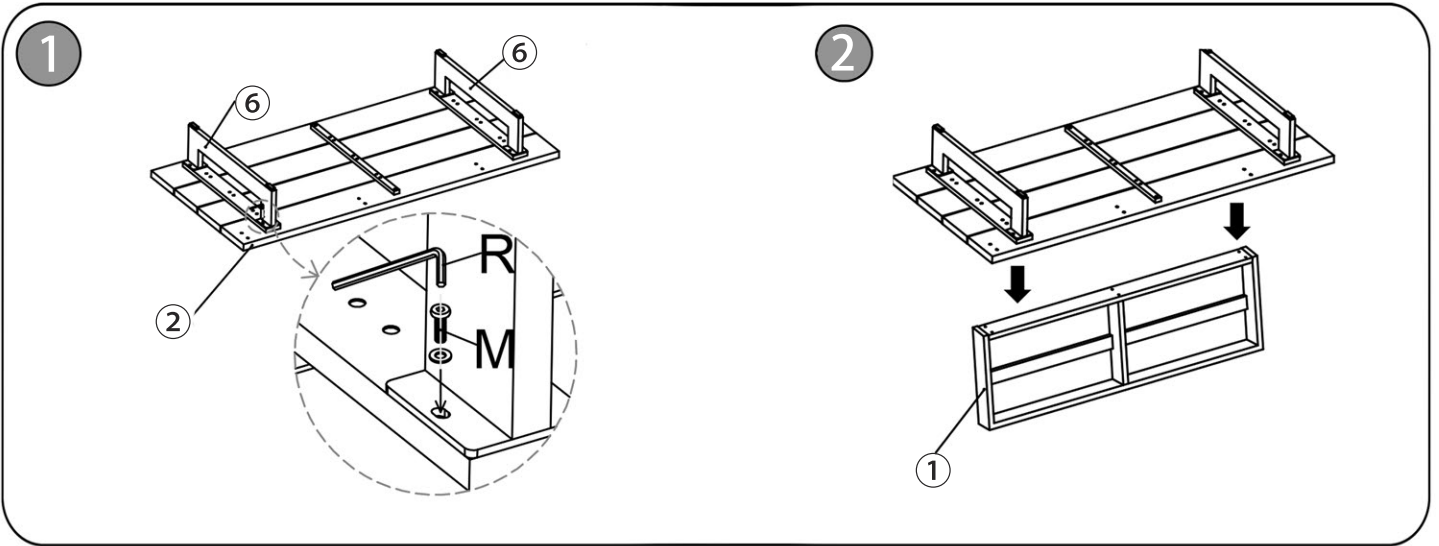
- D Wrench (1 pcs)



- E Connector (2 pcs)



ASSEMBLY INSTRUCTIONS



ASSEMBLY INSTRUCTIONS

