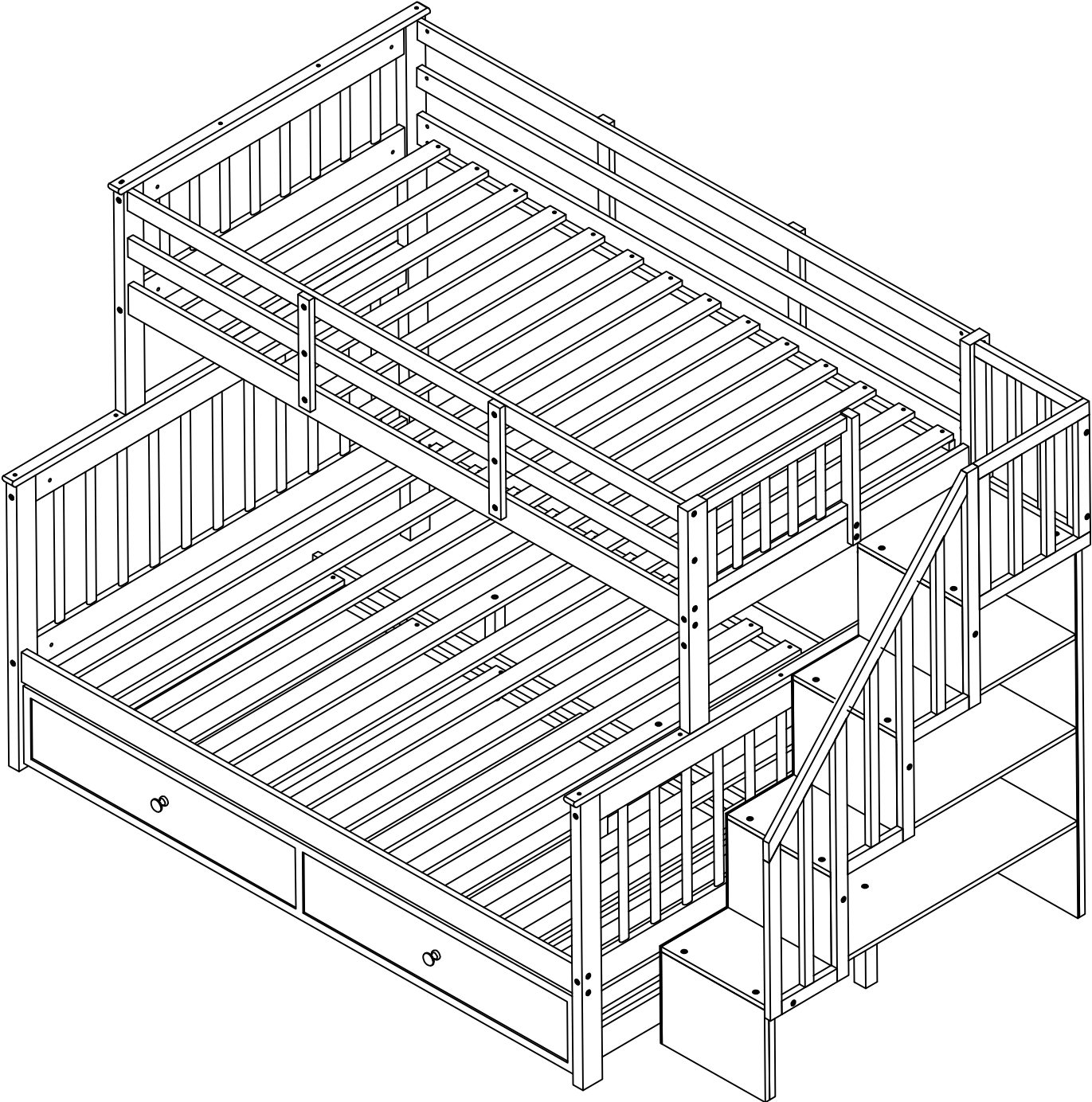


ASSEMBLY INSTRUCTION



1. This bed is designed for use only mattress (es) meeting the following specifications on the upper bunk, and lower bunk

Upper bed

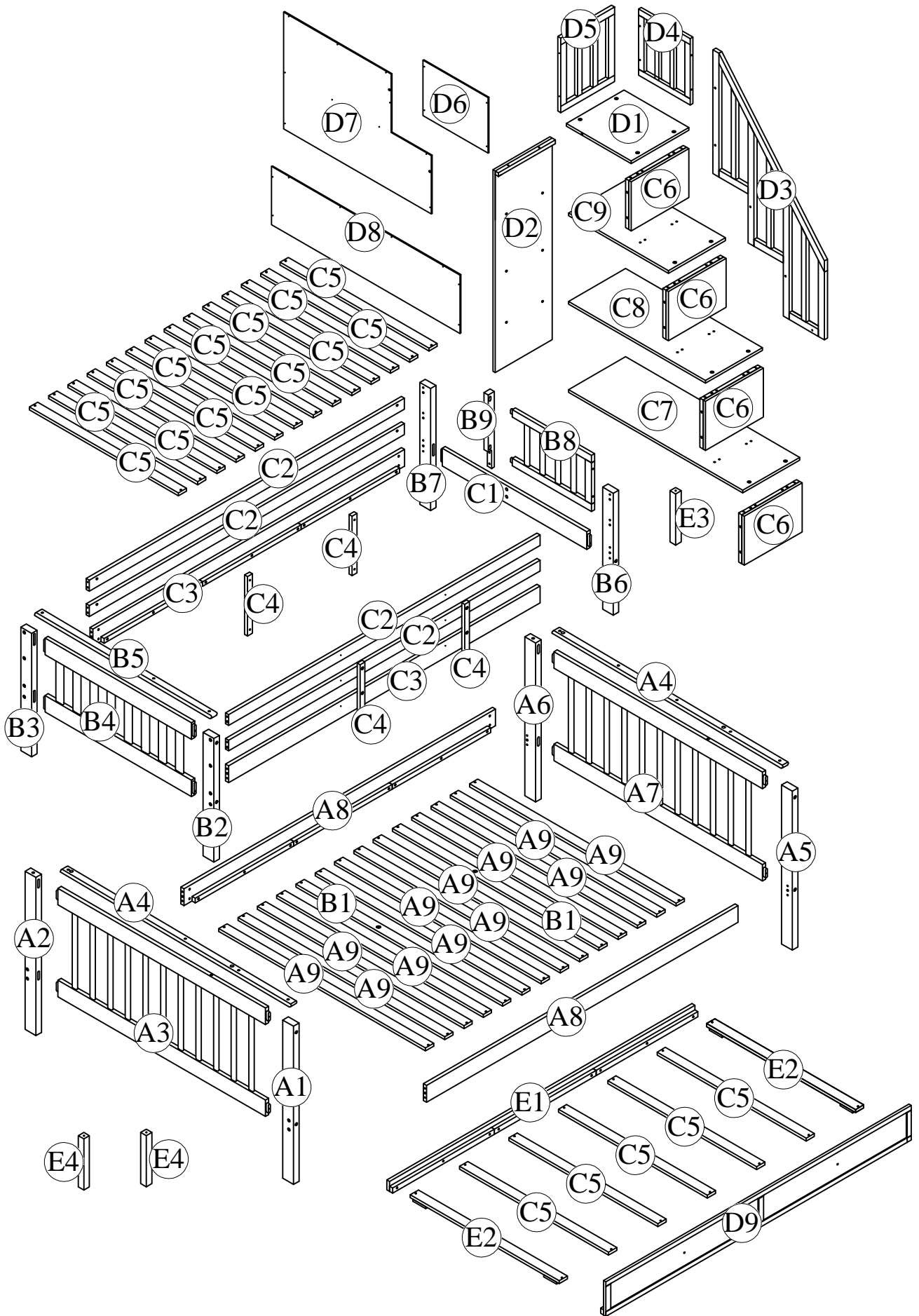
Bed Type	Length	Width	Thickness
<i>Twin Standard</i>	<i>74" - 75"</i>	<i>38 1/2"</i>	<i>6" max</i>

Lower bed

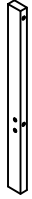

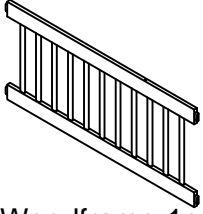
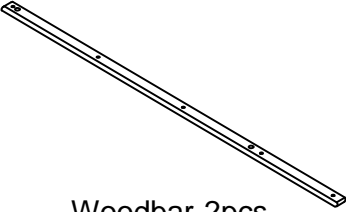


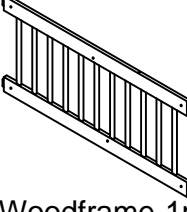


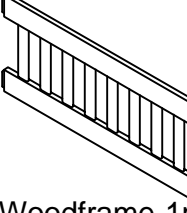
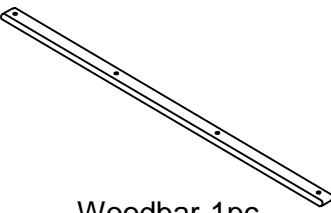


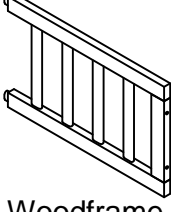
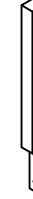
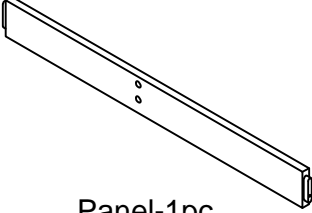

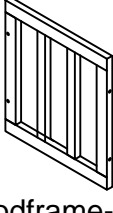
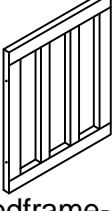
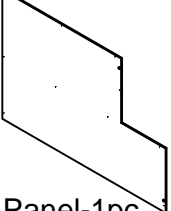
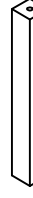
Bed Type	Length	Width	Thickness
<i>Full Standard</i>	<i>74" - 75"</i>	<i>53 1/2"</i>	<i>8" max</i>

2. Replacement parts, including additional guardrails, maybe obtained from any of our (GIGACLOUD TECHNOLOGY (USA) INC. 18961 ARENTH AVENUE CITY OF INDUSTRY, CA, 91748) dealers
3. Follow the information on the warnings appearing on the upper bunk bed end structure and on the carton. Do not remove warning label from bed
4. Always use the recommended size mattresses or mattress supports, or both, to help prevent the likelihood of entrapment or falls.
5. Surface of mattress must be at least 5" (127mm) below the upper edge of guardrails
6. Do not allow children under 6 years of age to use the upper bunk.
7. Periodically check and ensure that the guardrail, ladder, and other components are in their proper position, free from damage, and that all connectors are tight.
8. Do not allow horseplay on or under the bed and prohibit jumping on the bed.
9. Always use the ladder for entering and leaving the upper bunk.
10. Do not use substitute part. Contact the manufacture or dealer for replacement part
11. Use of a night light may provide added safety precaution for a child using the upper bunk..
12. Always use guardrails on both long sides of the upper bunk. If the bunk bed will be placed next to the wall, the guardrail that runs the full length of the bed should be placed against the wall to prevent entrapment between the bed and wall.
13. The use of water or sleep flotation mattresses is prohibited
14. STRANGULATION HAZARD - Never attach or hang items to any part of the bunk bed that are not designed for use with the bed; for example, but not limited to, hook, belts and jump ropes
15. Keep these instruction for future reference
16. Prohibit more than one person on upper bunk
17. We recommend assembling your bunk bed on the shipping carton to protect your floor or carpet
18. Be certain all staples are out of the box before beginning assembly on the shipping carton.

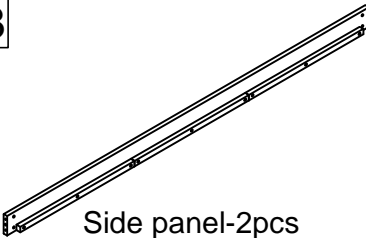
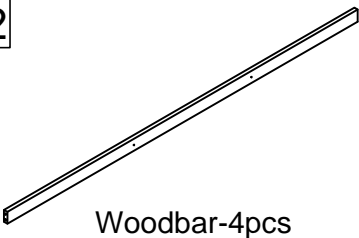
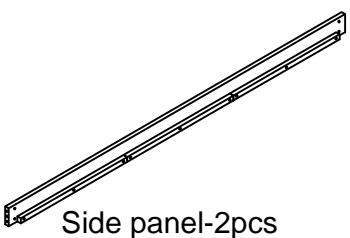

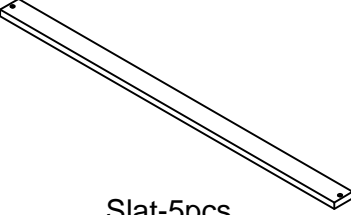
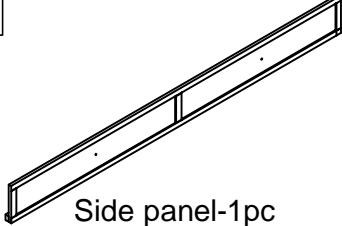
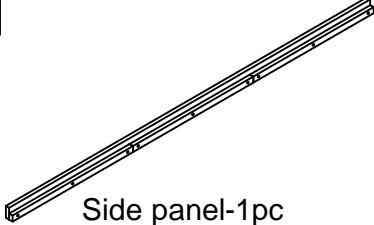
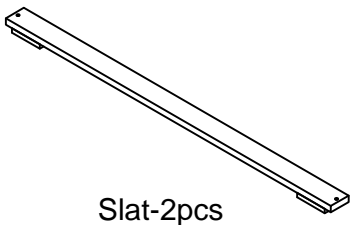
ASSEMBLY INSTRUCTION



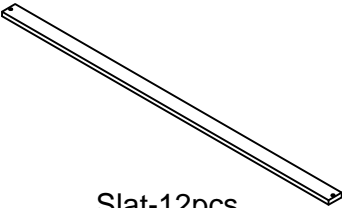
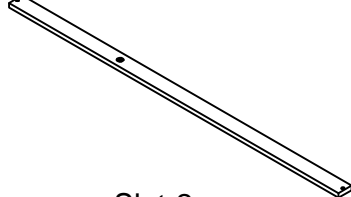
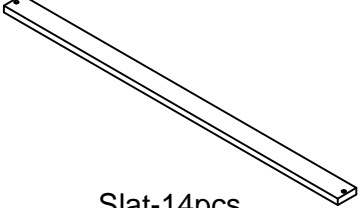
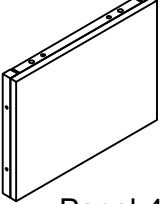
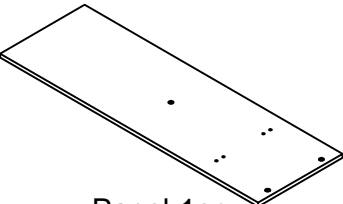
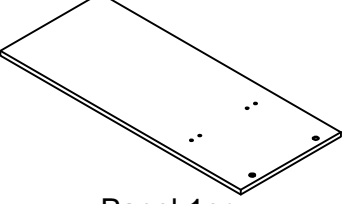
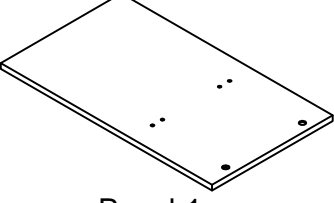
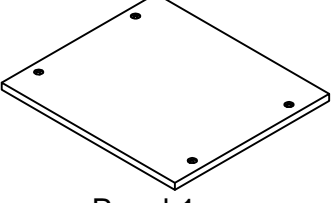
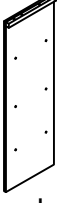
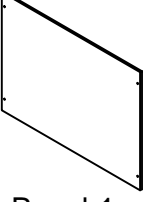
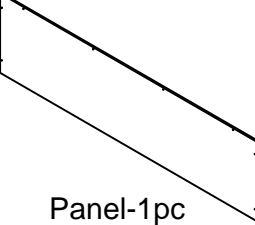

Part List & Hardware List (Box 1-)

<p>A1</p>  <p>Woodleg-1pc</p>	<p>A2</p>  <p>Woodleg-1pc</p>	<p>A3</p>  <p>Woodframe-1pc</p>
<p>A4</p>  <p>Woodbar-2pcs</p>	<p>A5</p>  <p>Woodleg-1pc</p>	<p>A6</p>  <p>Woodleg-1pc</p>
<p>A7</p>  <p>Woodframe-1pc</p>	<p>B2</p>  <p>Woodleg-1pc</p>	<p>B3</p>  <p>Woodleg-1pc</p>
<p>B4</p>  <p>Woodframe-1pc</p>	<p>B5</p>  <p>Woodbar-1pc</p>	<p>B6</p>  <p>Woodleg-1pc</p>
<p>B7</p>  <p>Woodleg-1pc</p>	<p>B8</p>  <p>Woodframe-1pc</p>	<p>B9</p>  <p>Woodbar-1pc</p>
<p>C1</p>  <p>Panel-1pc</p>	<p>D3</p>  <p>Woodframe-1pc</p>	<p>D4</p>  <p>Woodframe-1pc</p>
<p>D5</p>  <p>Woodframe-1pc</p>	<p>D7</p>  <p>Panel-1pc</p>	<p>E4</p>  <p>Woodbar-2pcs</p>

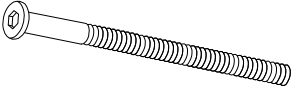


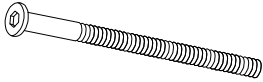
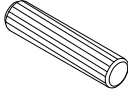

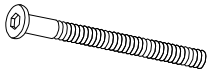



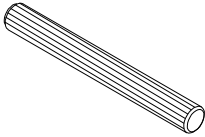
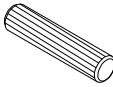
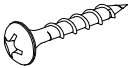
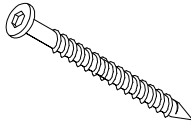
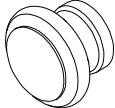
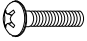
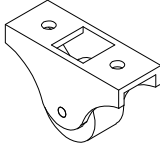
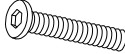
Part List (Box 2-)

<p>A8</p>  <p>Side panel-2pcs</p>	<p>C2</p>  <p>Woodbar-4pcs</p>	<p>C3</p>  <p>Side panel-2pcs</p>
<p>C4</p>  <p>Woodbar-4pcs</p>	<p>C5</p>  <p>Slat-5pcs</p>	<p>D9</p>  <p>Side panel-1pc</p>
<p>E1</p>  <p>Side panel-1pc</p>	<p>E2</p>  <p>Slat-2pcs</p>	

Part List (Box 3-)

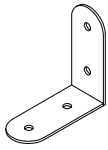
A9  Slat-12pcs	B1  Slat-2pcs	C5  Slat-14pcs
C6  Panel-4pcs	C7  Panel-1pc	C8  Panel-1pc
C9  Panel-1pc	D1  Panel-1pc	D2  Panel-1pc
D6  Panel-1pc	D8  Panel-1pc	E3  Woodbar-1pc

Hardware List (Box 1-)

<p>1</p>  <p>Ø1/4" x 100 mm Hex-Head bolts 14pcs</p>	<p>2</p>  <p>Ø1/4" x 12 mm Horizontal-Hole bolts 44pcs</p>	<p>3</p>  <p>M4 x 30 mm Wood Screws 84pcs</p>
<p>4</p>  <p>Ø1/4" x 80 mm Hex-Head bolts 24pcs</p>	<p>5</p>  <p>Ø10 x 40 mm Wood dowel 16pcs</p>	<p>6</p>  <p>Screws 1/4" x40 10pcs</p>
<p>7</p>  <p>Ø1/4" x 50 mm Hex-Head bolts 6pcs</p>	<p>8</p>  <p>Ø1/4" x 15 mm T-nut 2pcs</p>	<p>9</p>  <p>Ø1/4" x 30 mm Hex-Head bolts 9pcs</p>
<p>10</p>  <p>Screws 1/4" x30 22pcs</p>	<p>11</p>  <p>Ø12 x 110 mm Wood dowel 4pcs</p>	<p>12</p>  <p>Ø8 x 25 mm Wood dowel 16pcs</p>
<p>13</p>  <p>M3 x 15 mm Wood Screws 21pcs</p>	<p>14</p>  <p>Screws 1/4" x60 6pcs</p>	<p>15</p>  <p>Wood Handle - 2pcs</p>
<p>16</p>  <p>Bolt Ø1/6" x 25 mm 2pcs</p>	<p>17</p>  <p>Wheels - 4pcs</p>	<p>18</p>  <p>Ø1/4" x 35 mm Hex-Head bolts 2pcs</p>

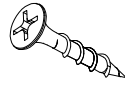
Hardware List (Box 1-)

19



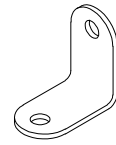
Metal L pat - 3pcs

20



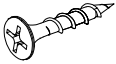
M4 x 15 mm
Wood Screws 20pcs

21

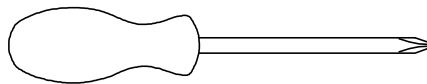


Metal L pat - 2pcs

22





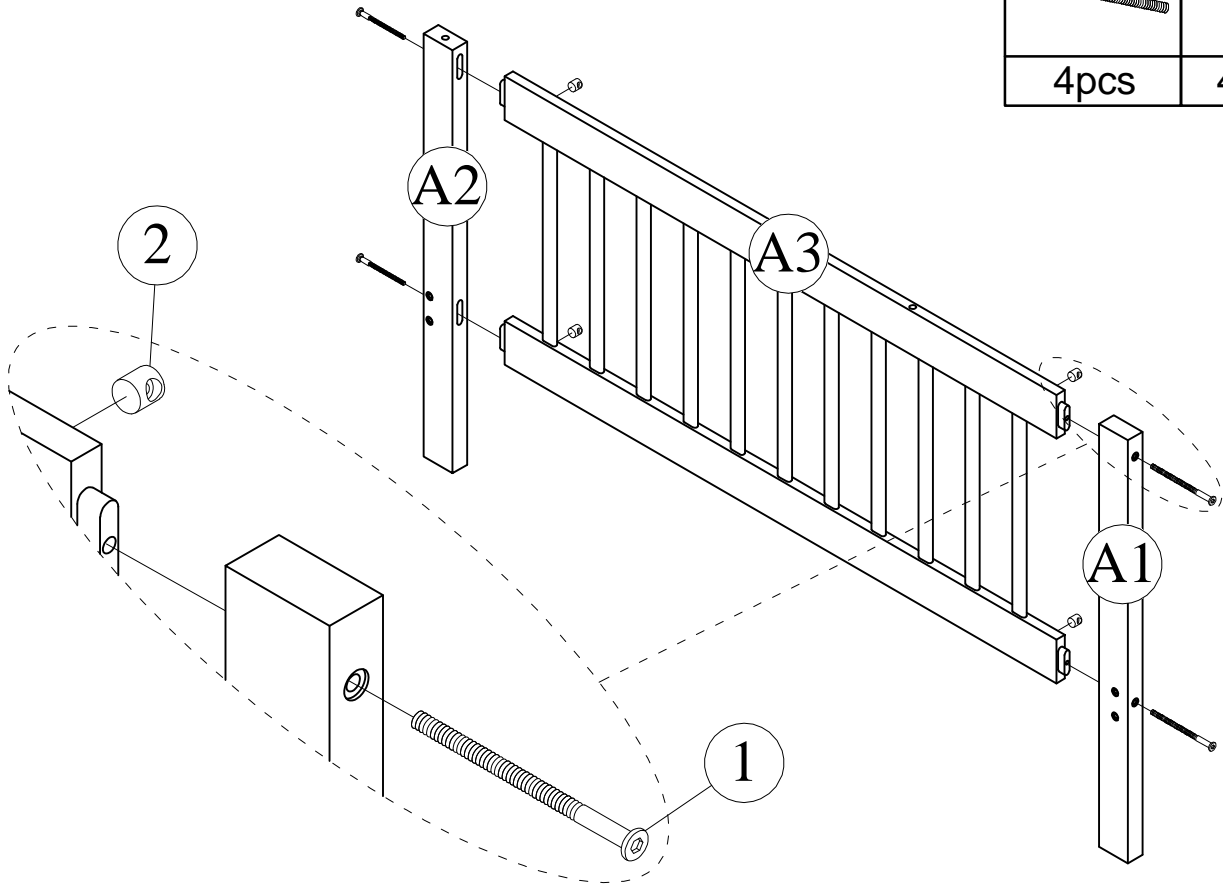
M4 x 12 mm
Wood Screws 4pcs




Assembly Tools Required (Not Included)

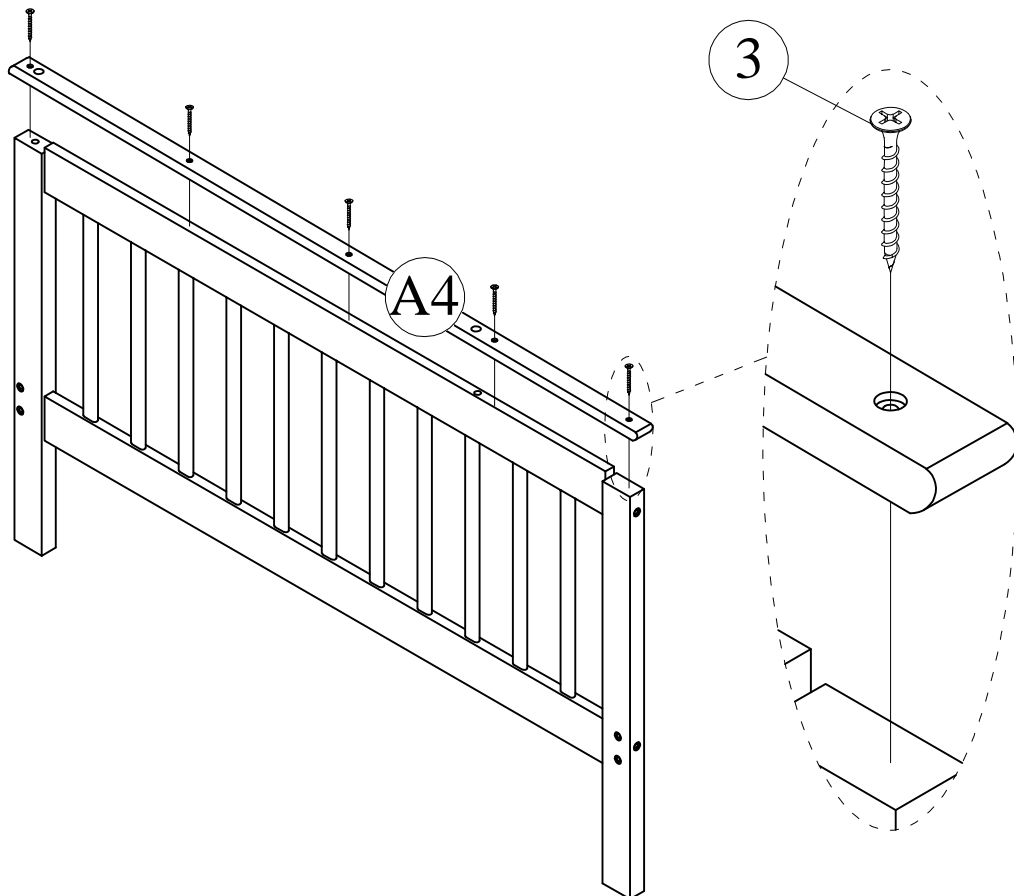
STEP1: Following below illustration.

1	2
	
4pcs	4pcs





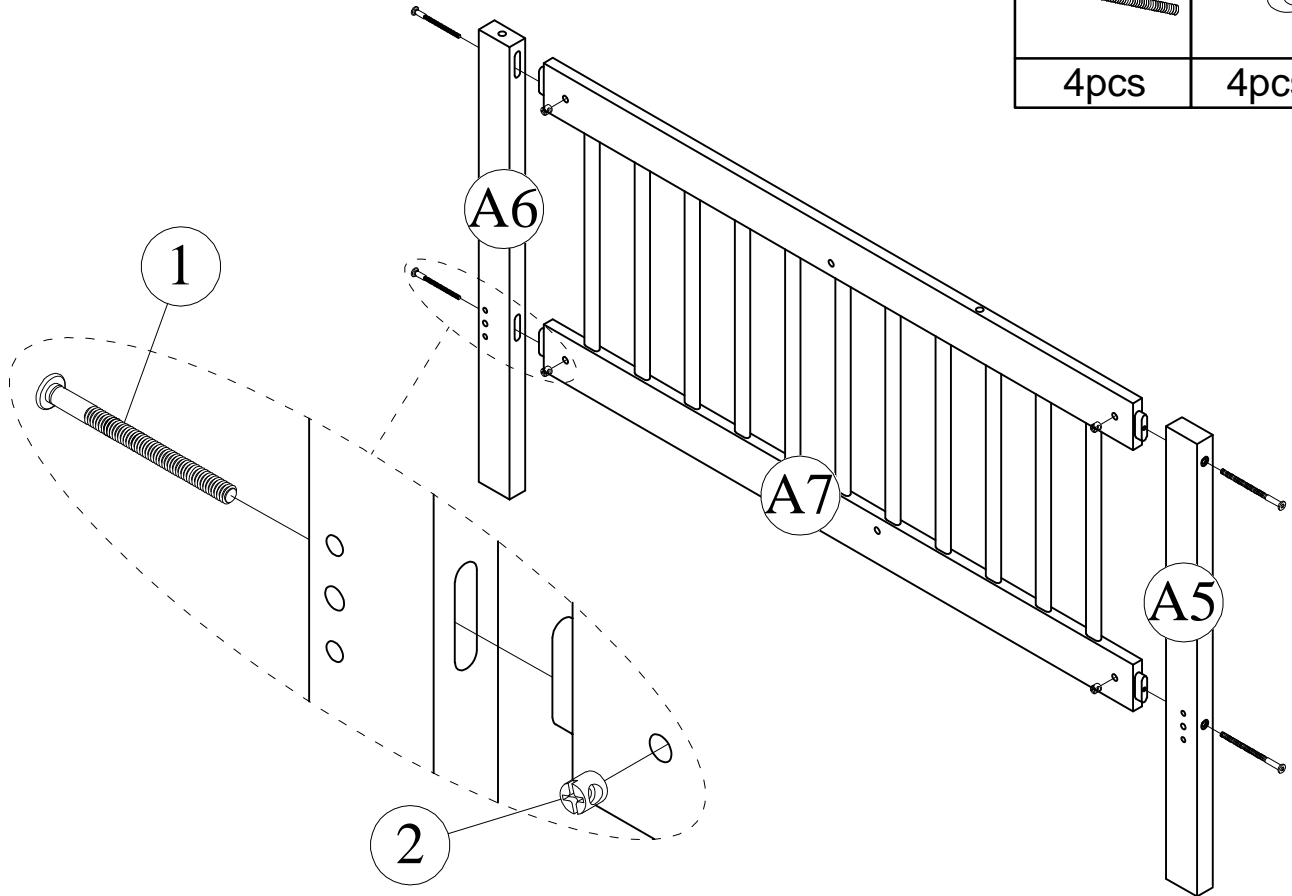
STEP2: Following below illustration.

3

5pcs




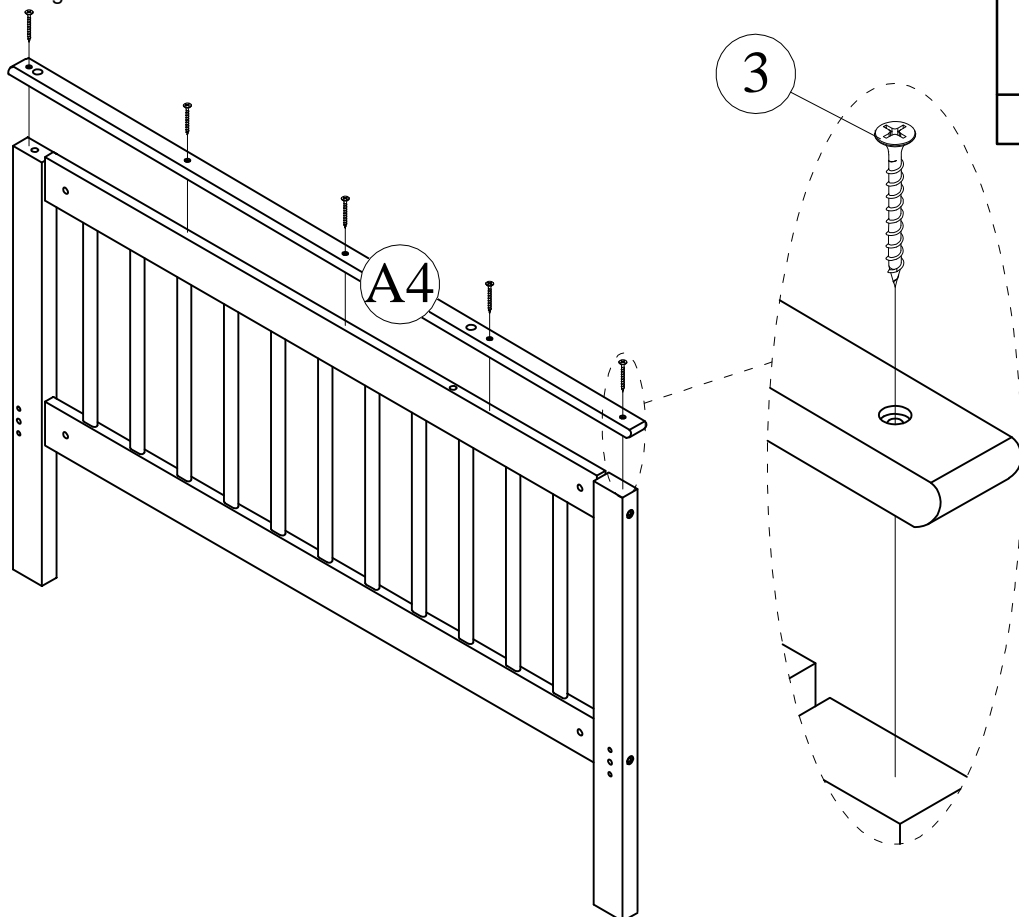
STEP3: Following below illustration.

1	2
	
4pcs	4pcs

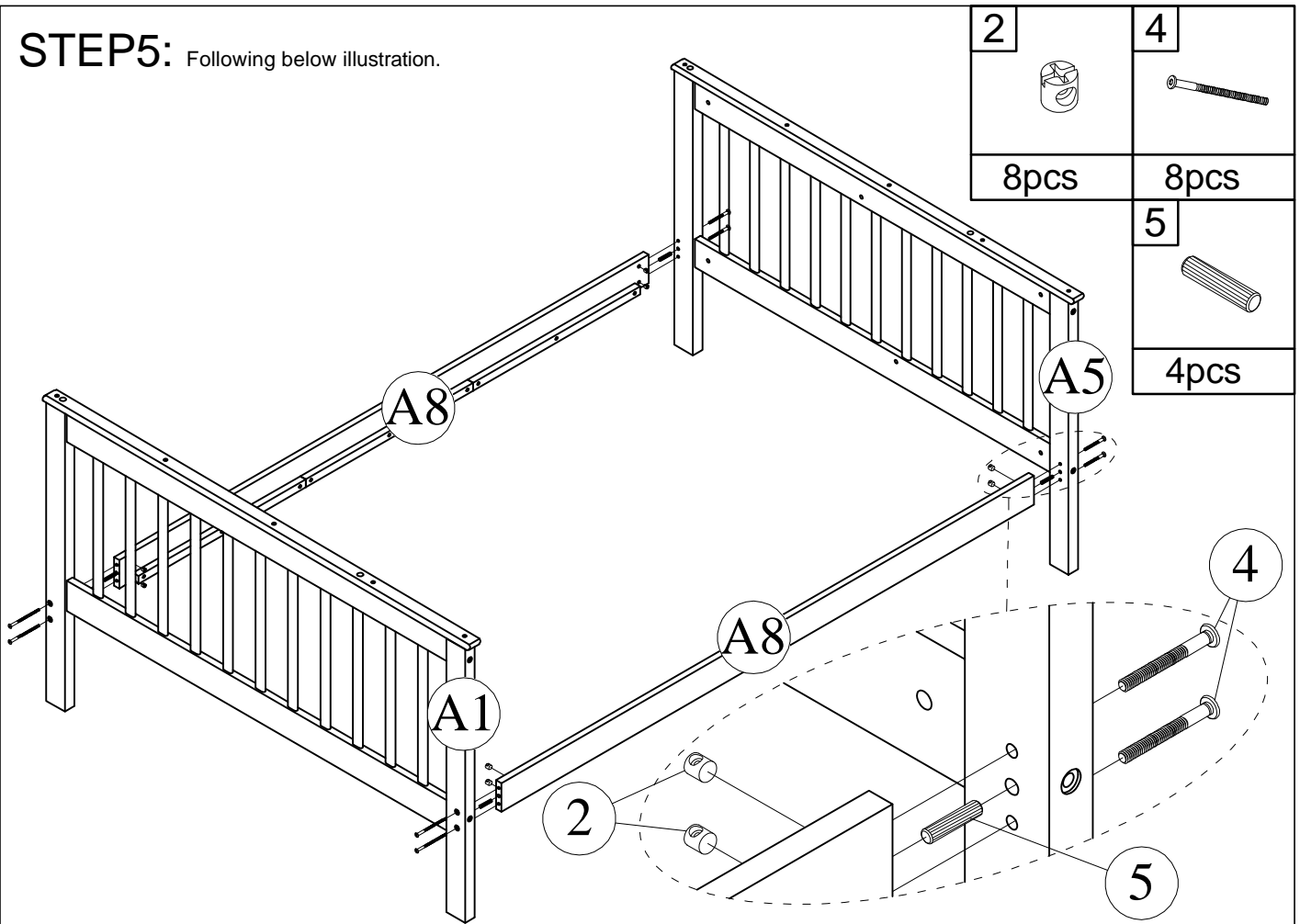


STEP4: Following below illustration.

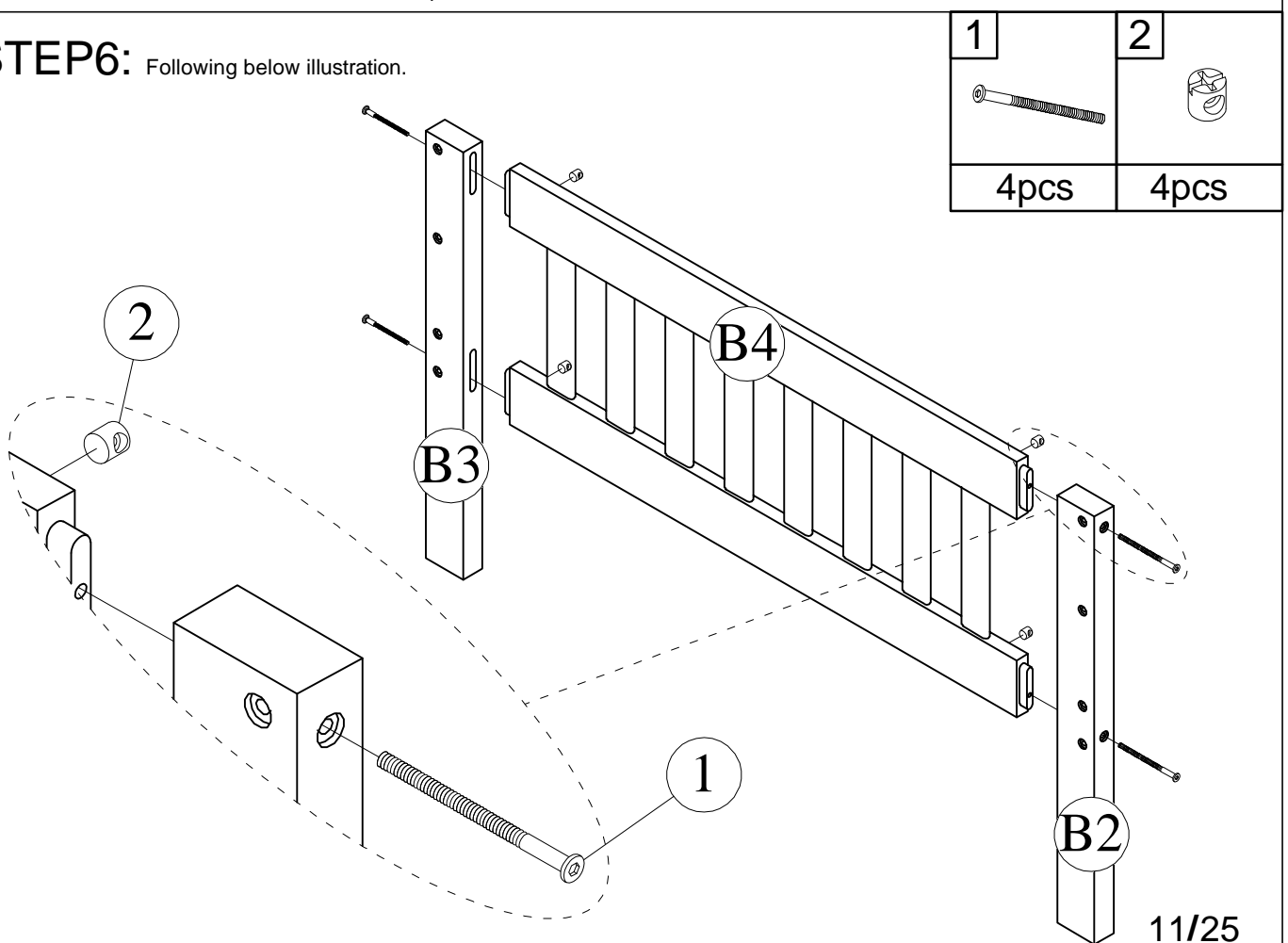
3

5pcs



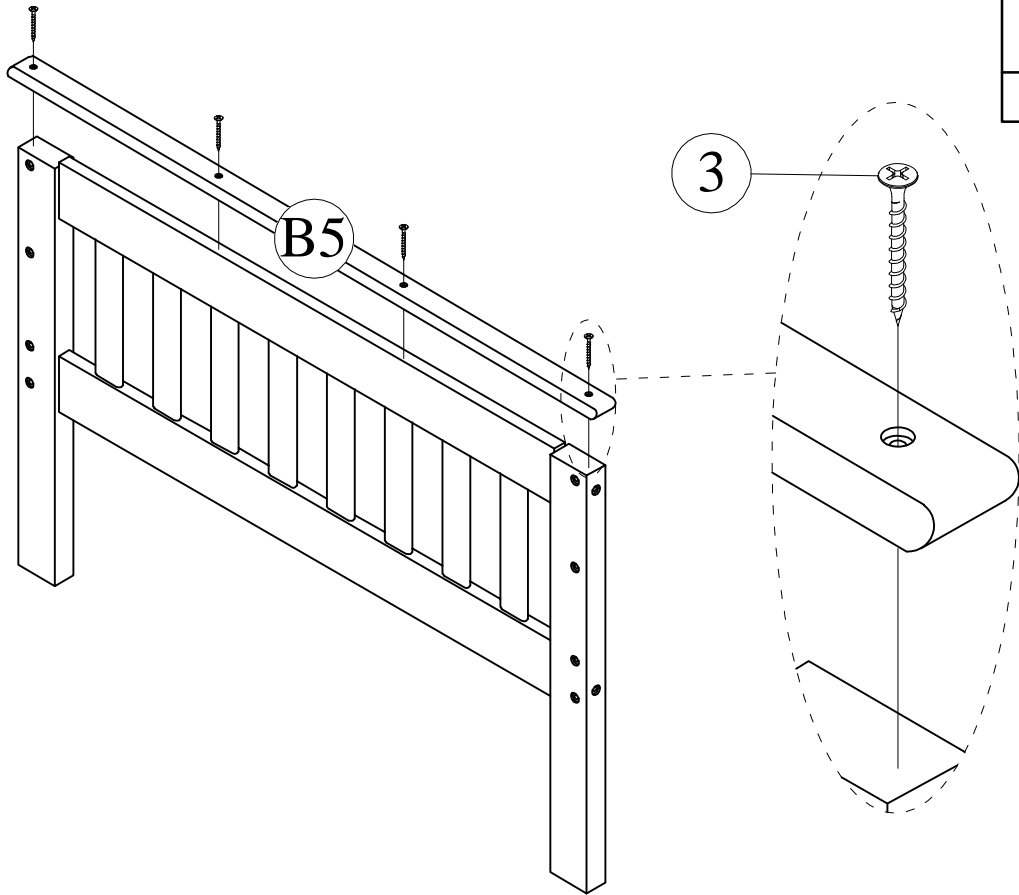
STEP5: Following below illustration.



STEP6: Following below illustration.



STEP7: Following below illustration.



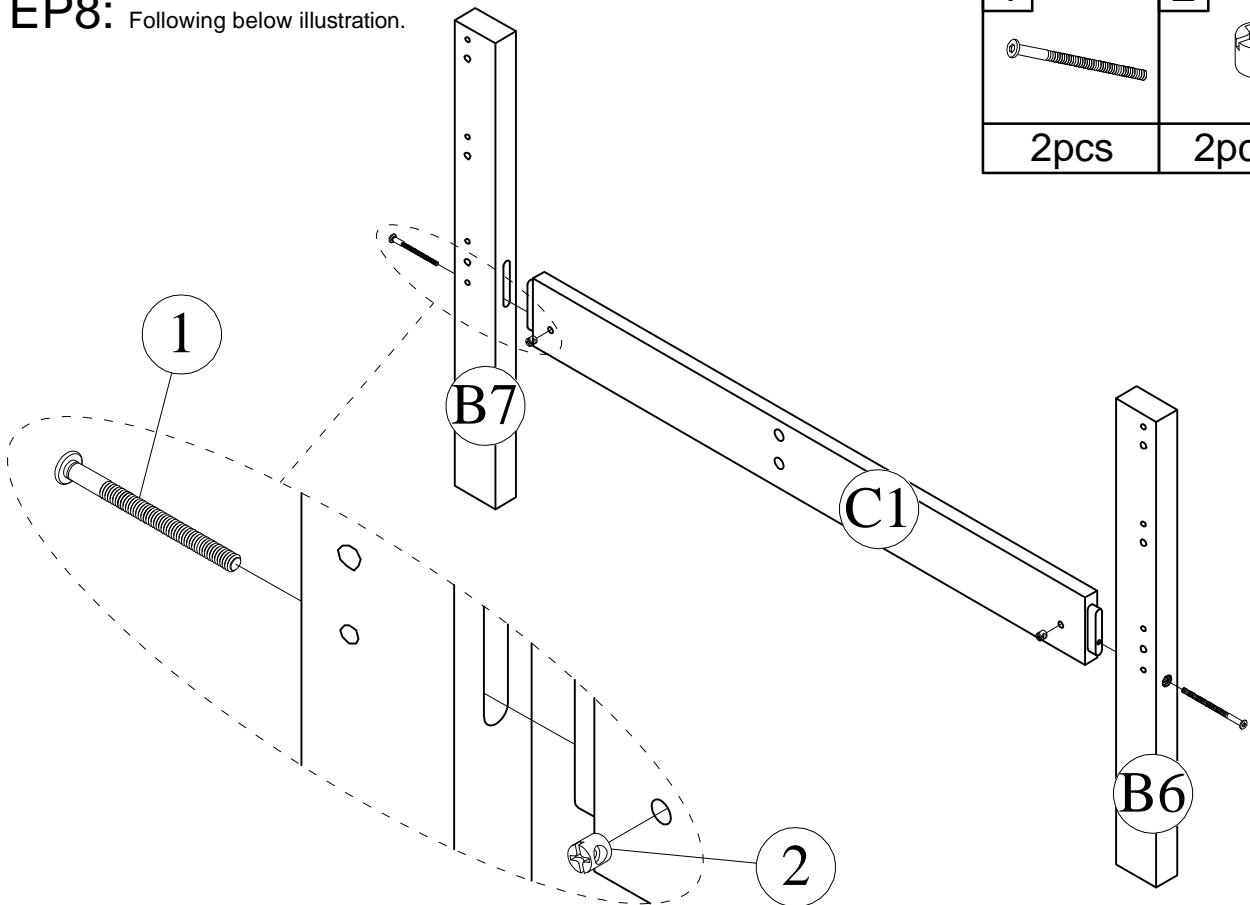
3



4pcs

3

STEP8: Following below illustration.



1



2pcs

2



2pcs

1

B7

C1

B6

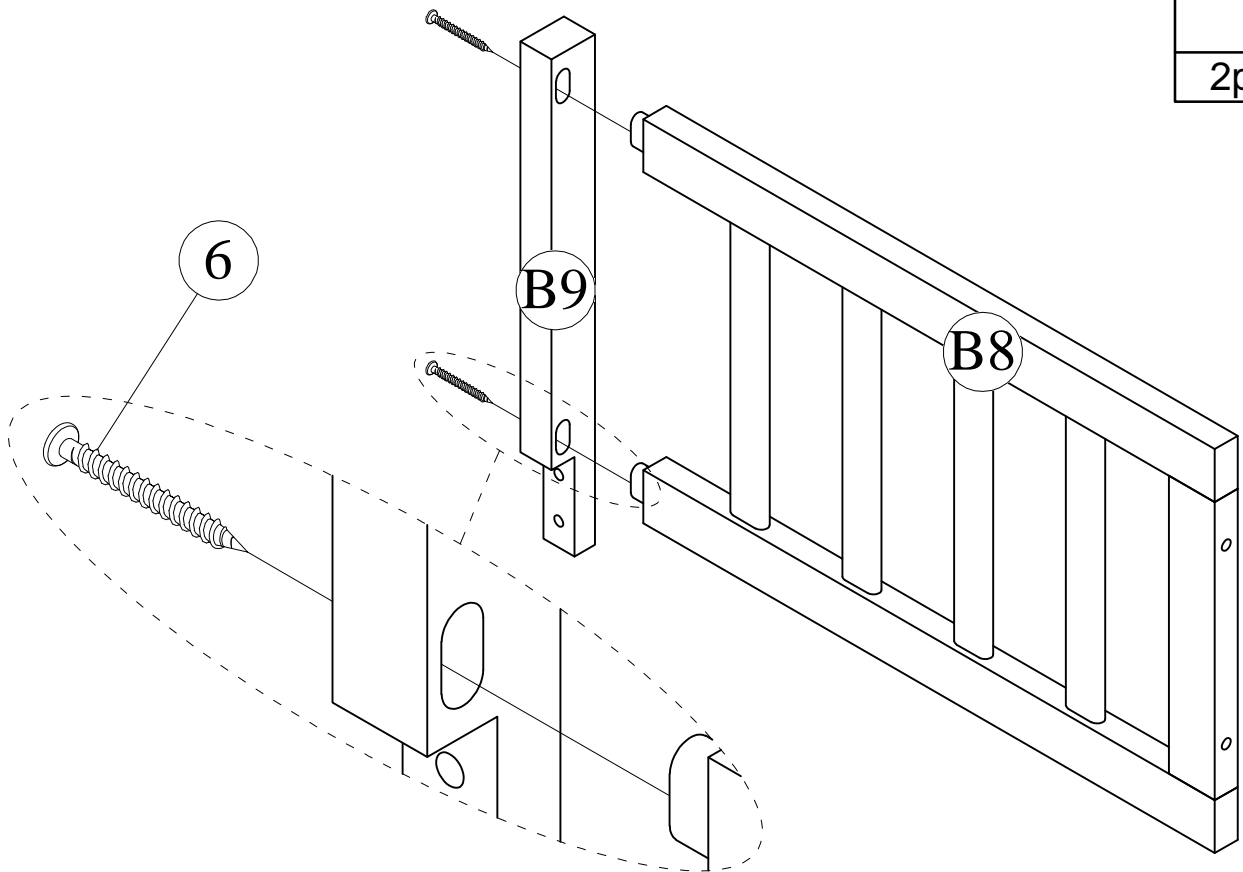
2

STEP9: Following below illustration.

6



2pcs



STEP10: Following below illustration.

14



2pcs

8

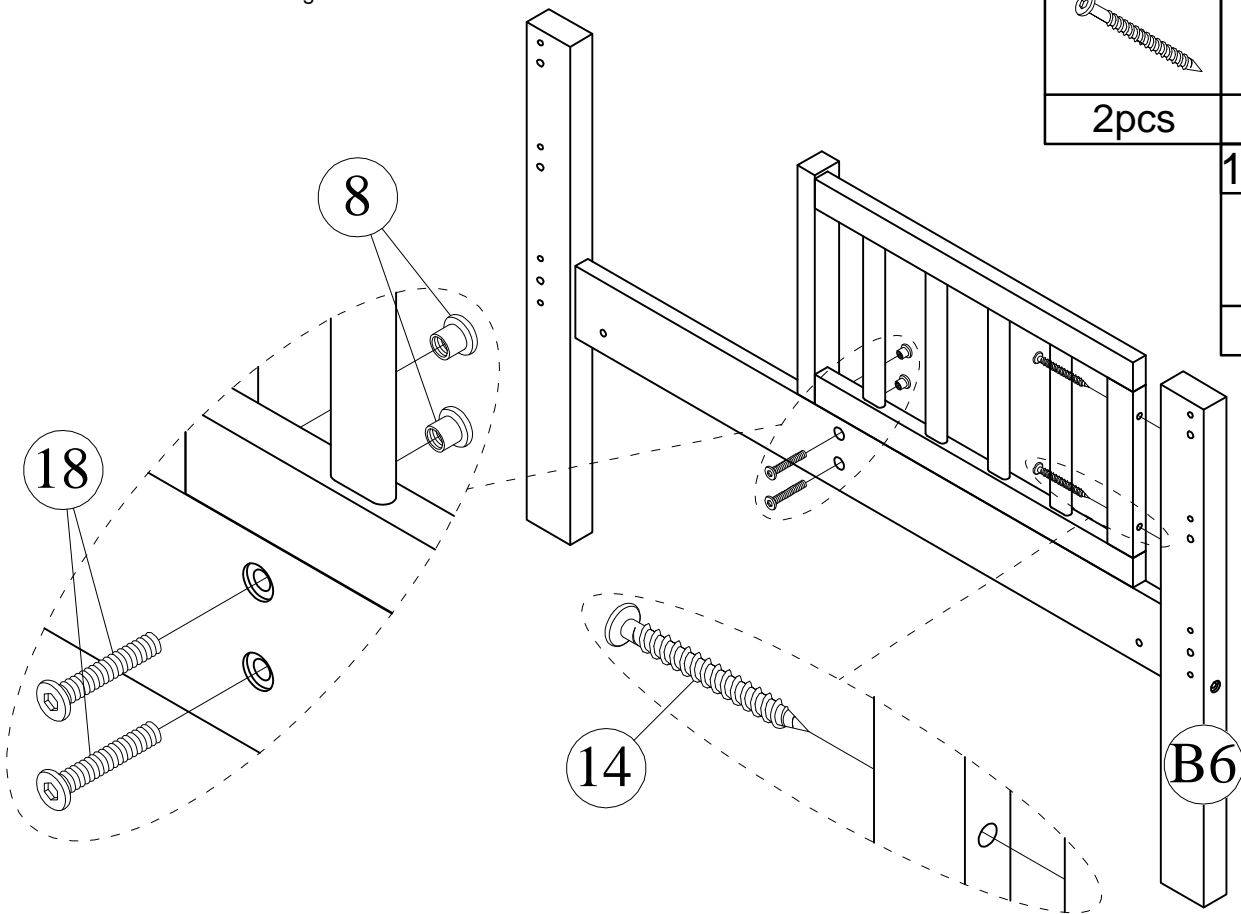


2pcs

18

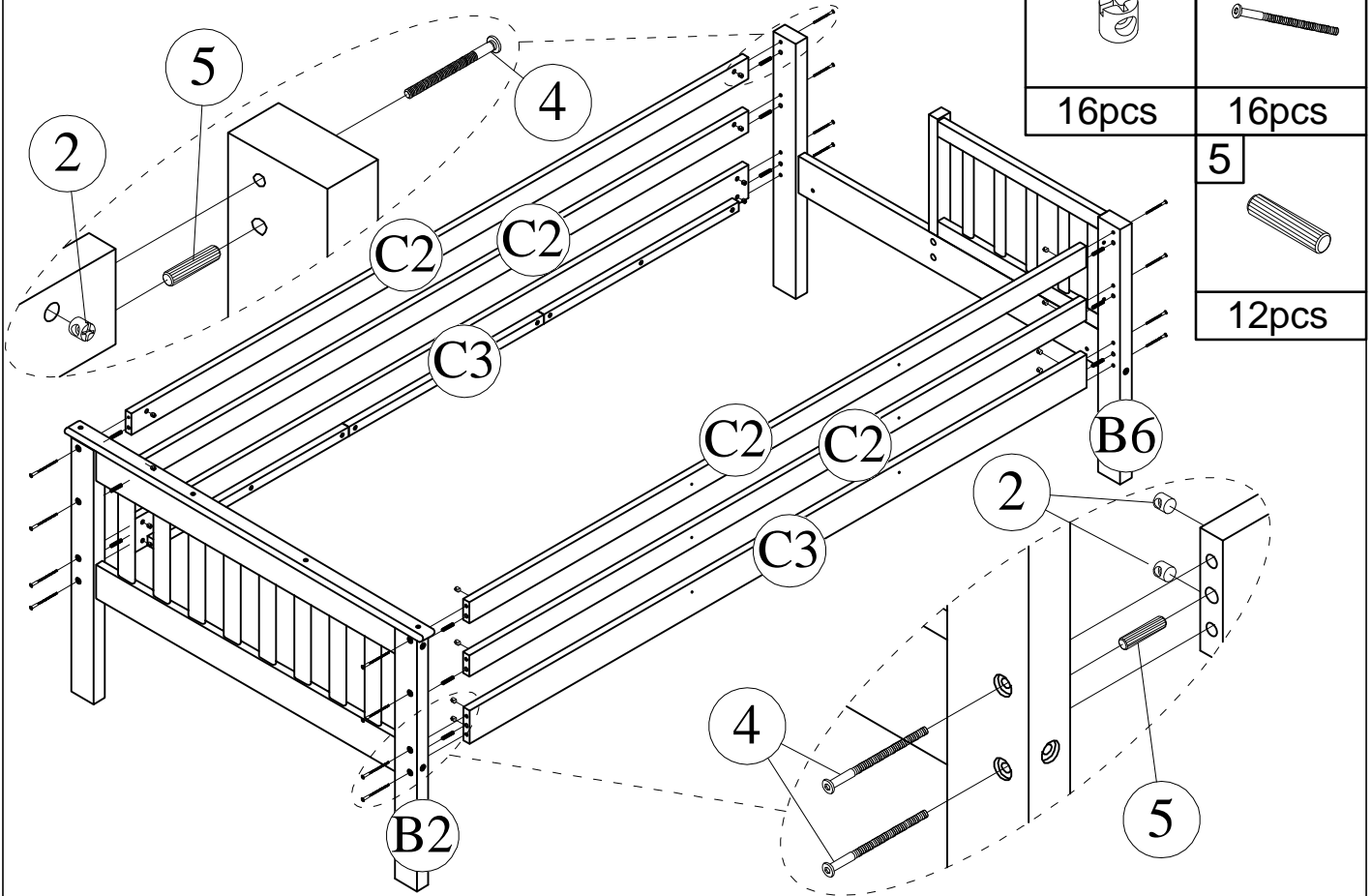


2pcs

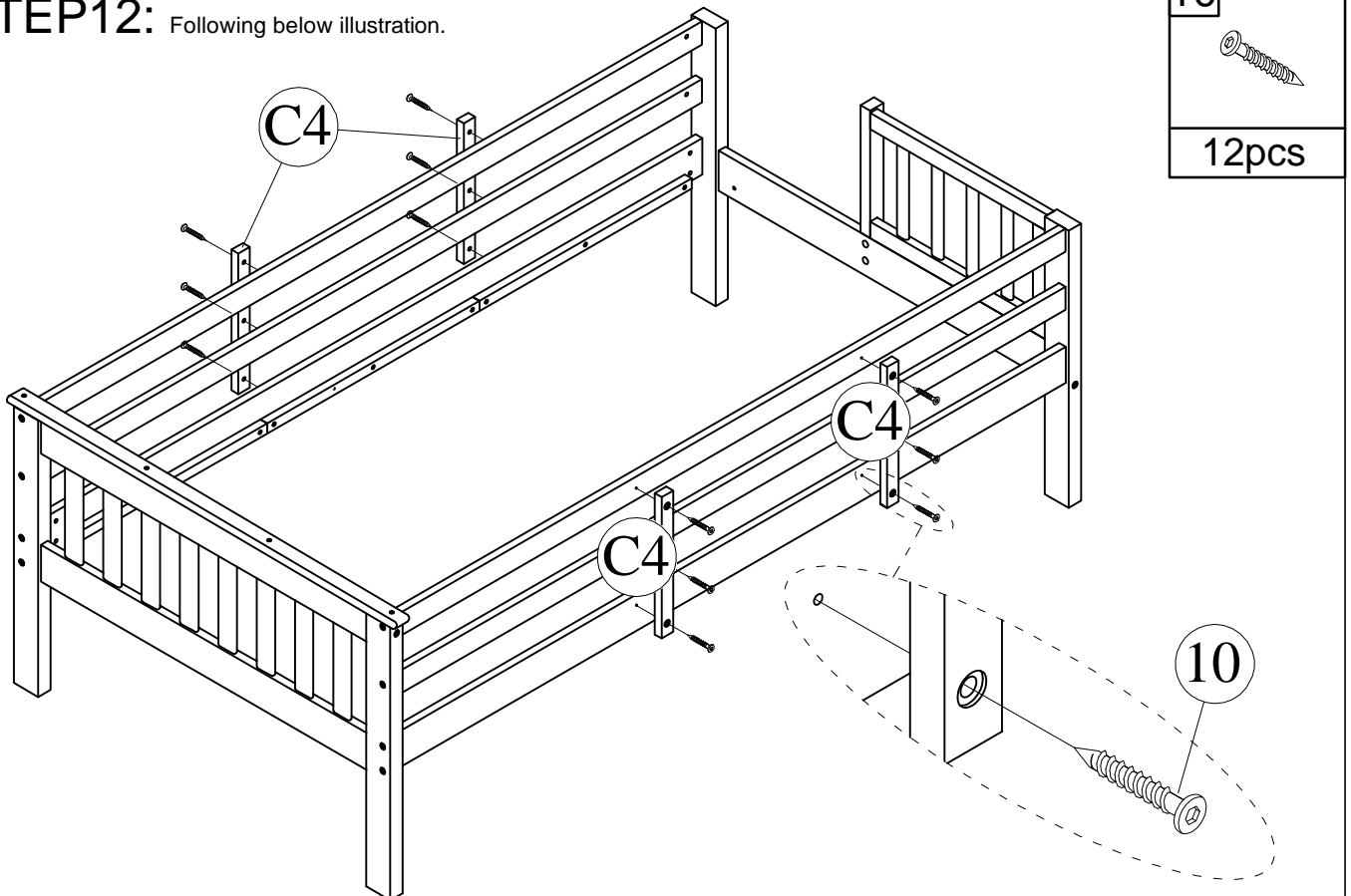


13/25

STEP11: Following below illustration.



STEP12: Following below illustration.

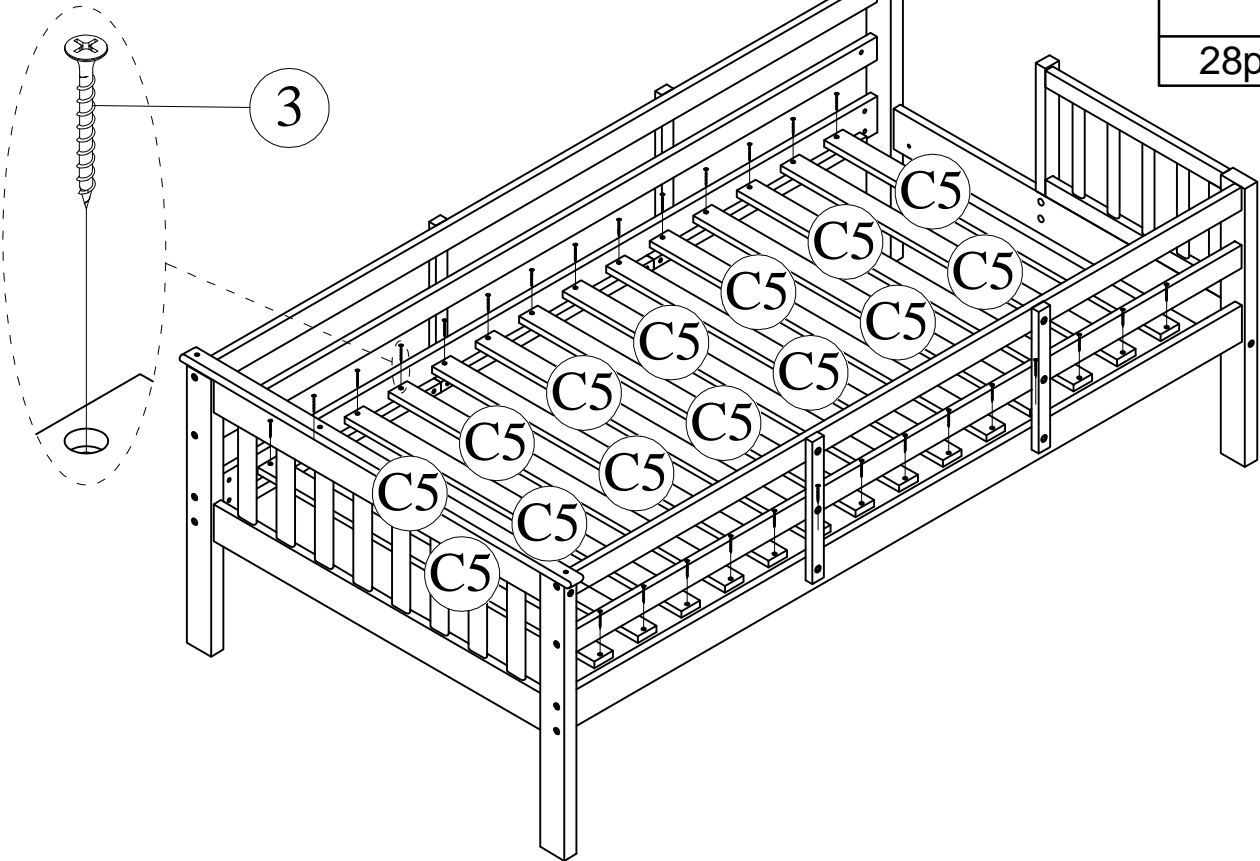


STEP13: Following below illustration.

3



28pcs

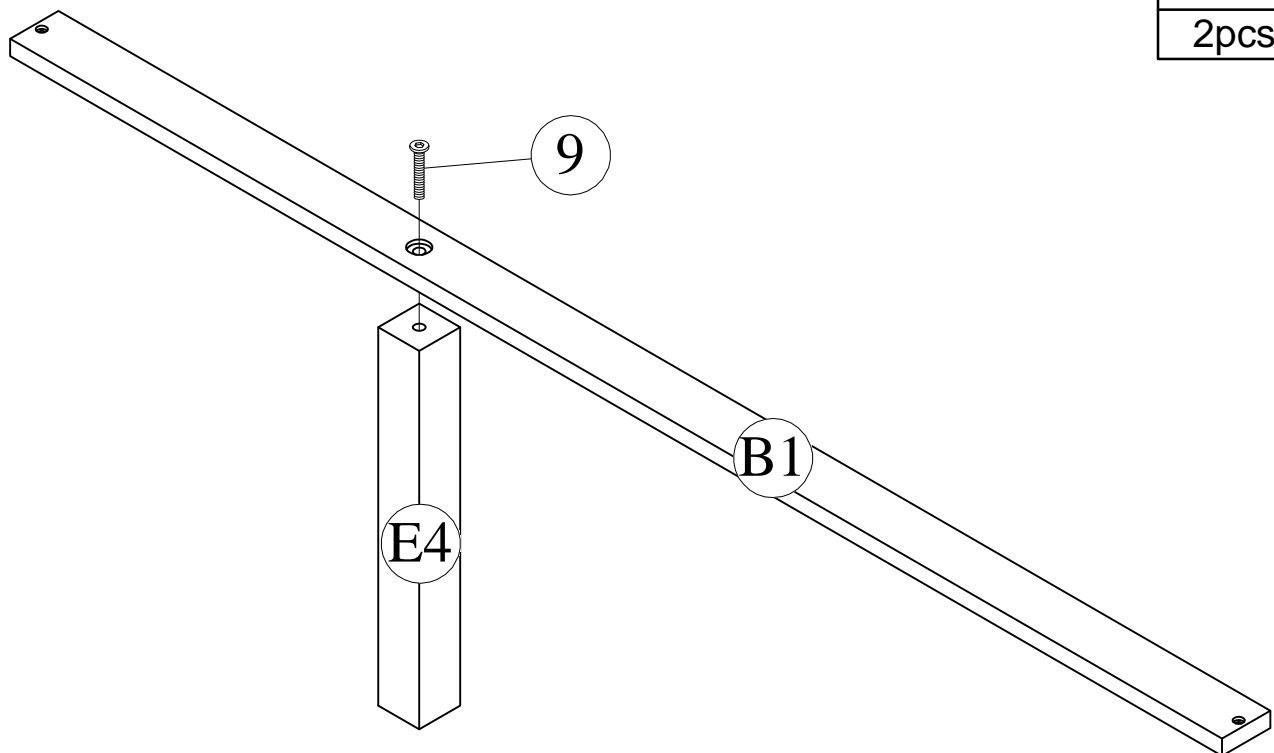


STEP14:x2 Following below illustration.

9



2pcs



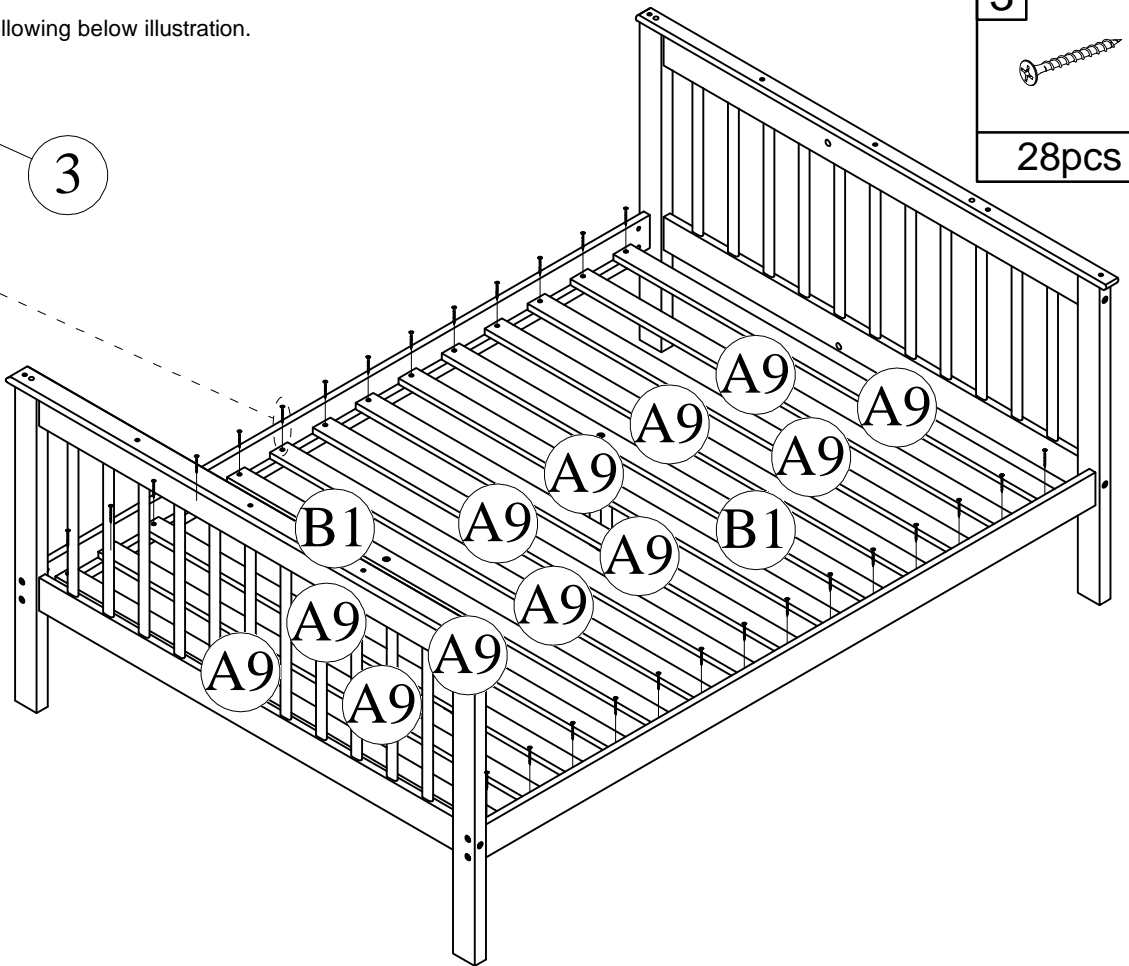
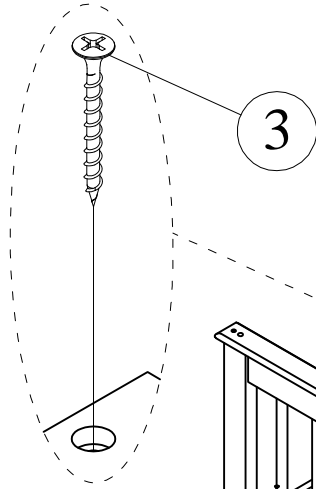
15/25

STEP15: Following below illustration.

3

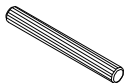


28pcs

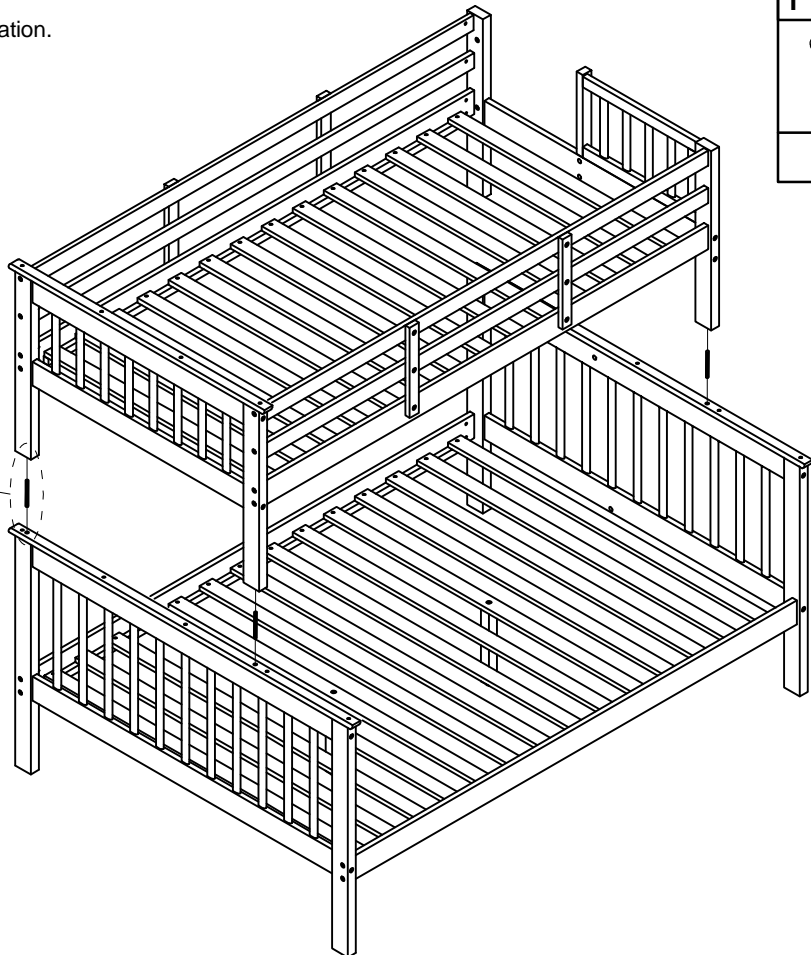
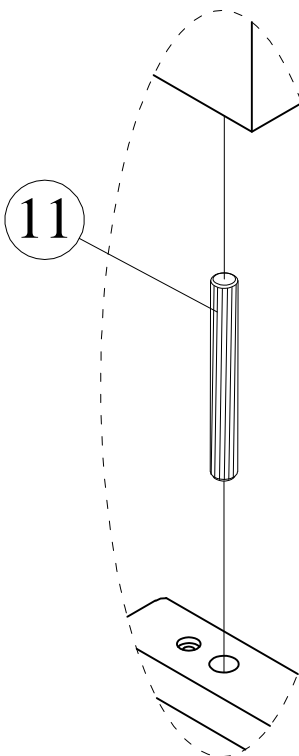


STEP16: Following below illustration.

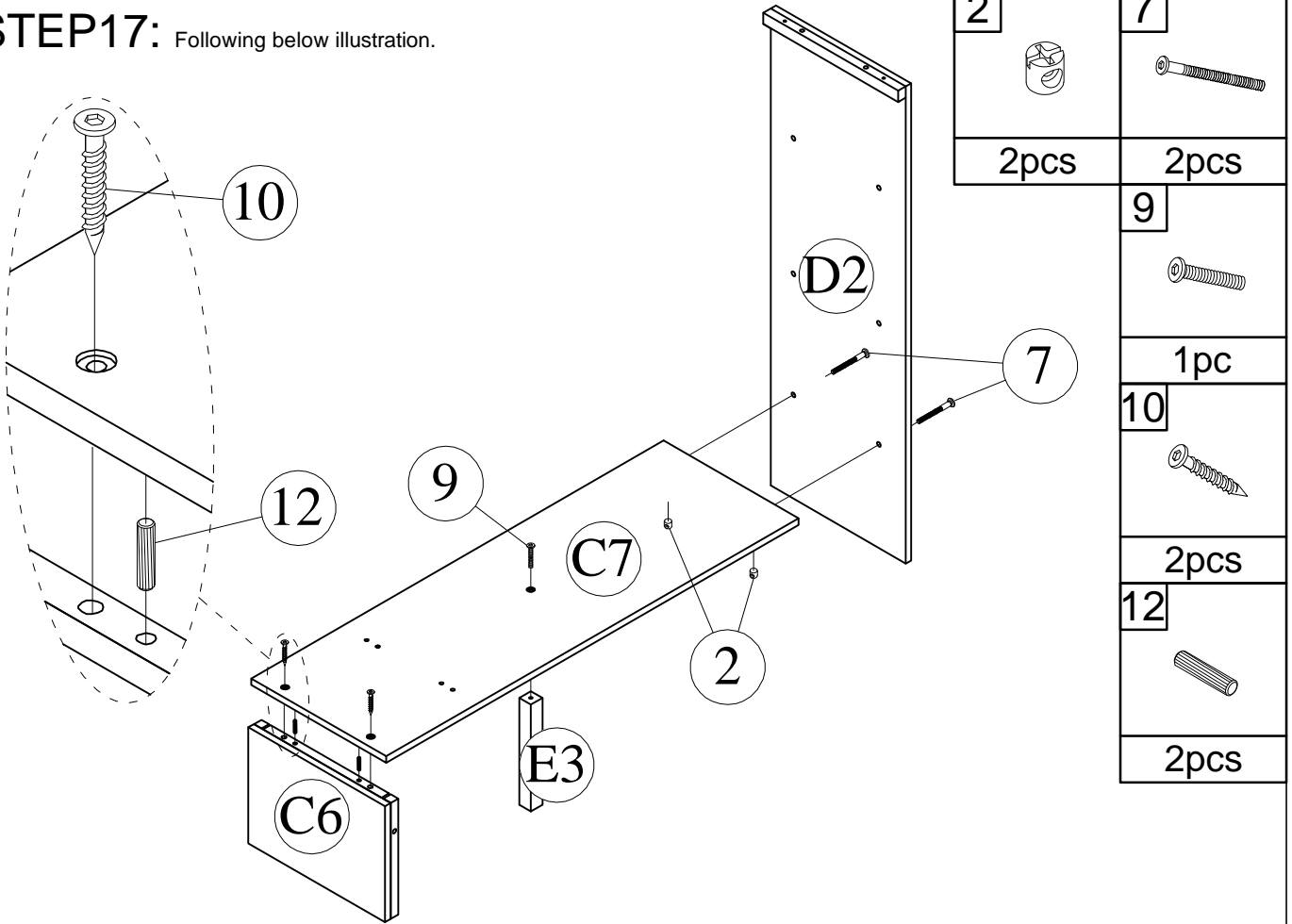
11





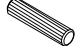


4pcs

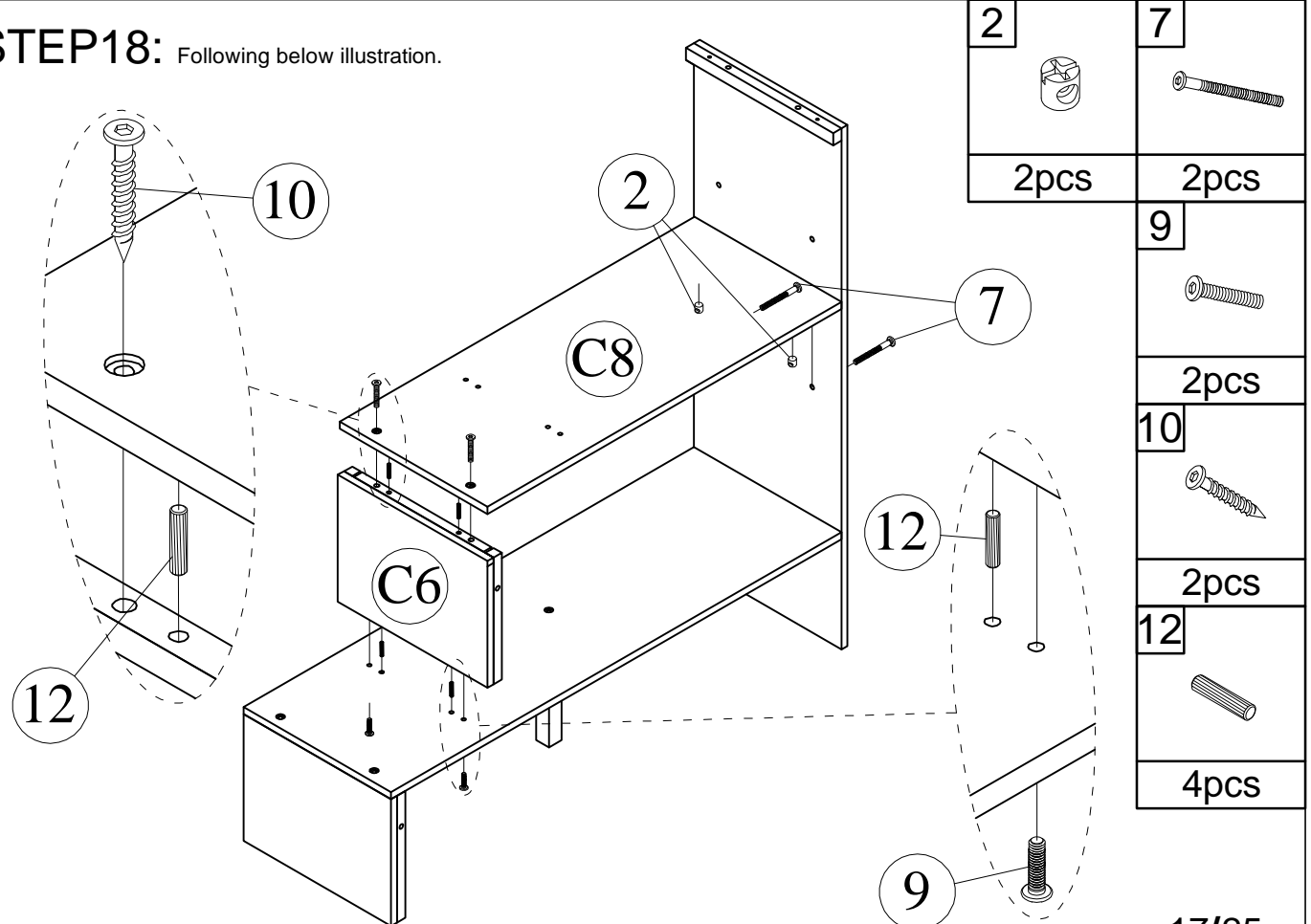





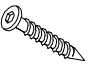

STEP17: Following below illustration.



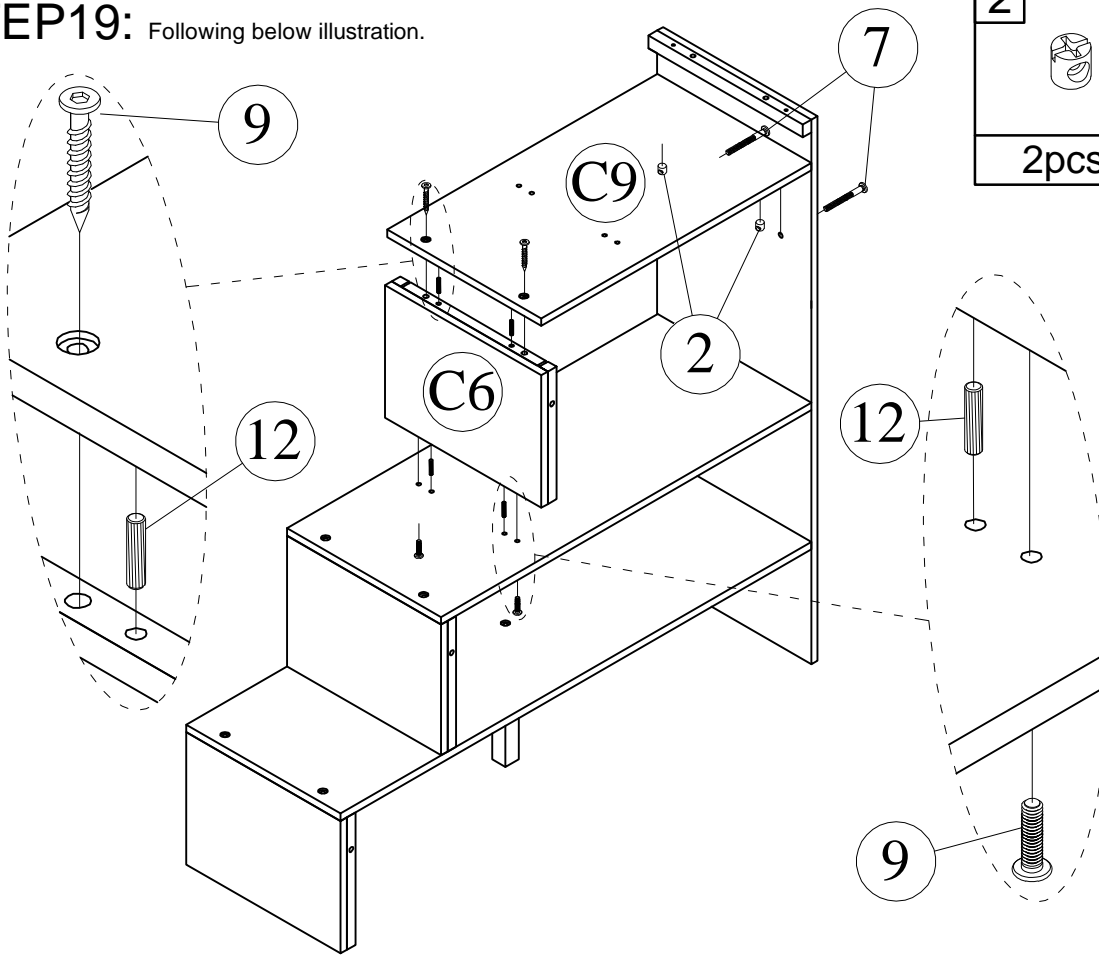
2	7
	
2pcs	2pcs
	9
	
	1pc
	10
	
	2pcs
	12
	
	2pcs





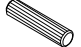
STEP18: Following below illustration.



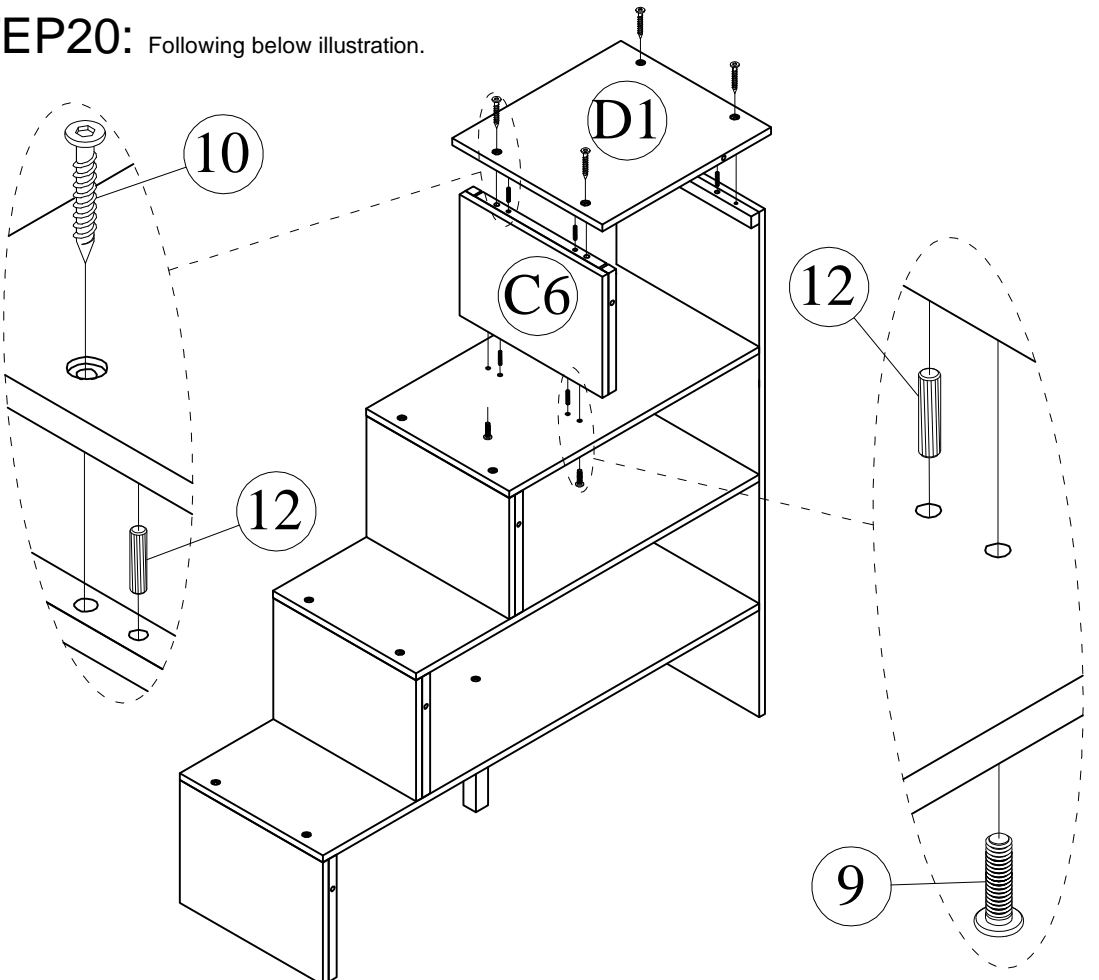
2	7
	
2pcs	2pcs
	9
	
	2pcs
	10
	
	2pcs
	12
	
	4pcs


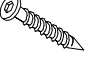
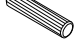
STEP19: Following below illustration.



2		7	
2pcs		2pcs	
9			
2pcs			
10			
2pcs			
12			
4pcs			

STEP20: Following below illustration.



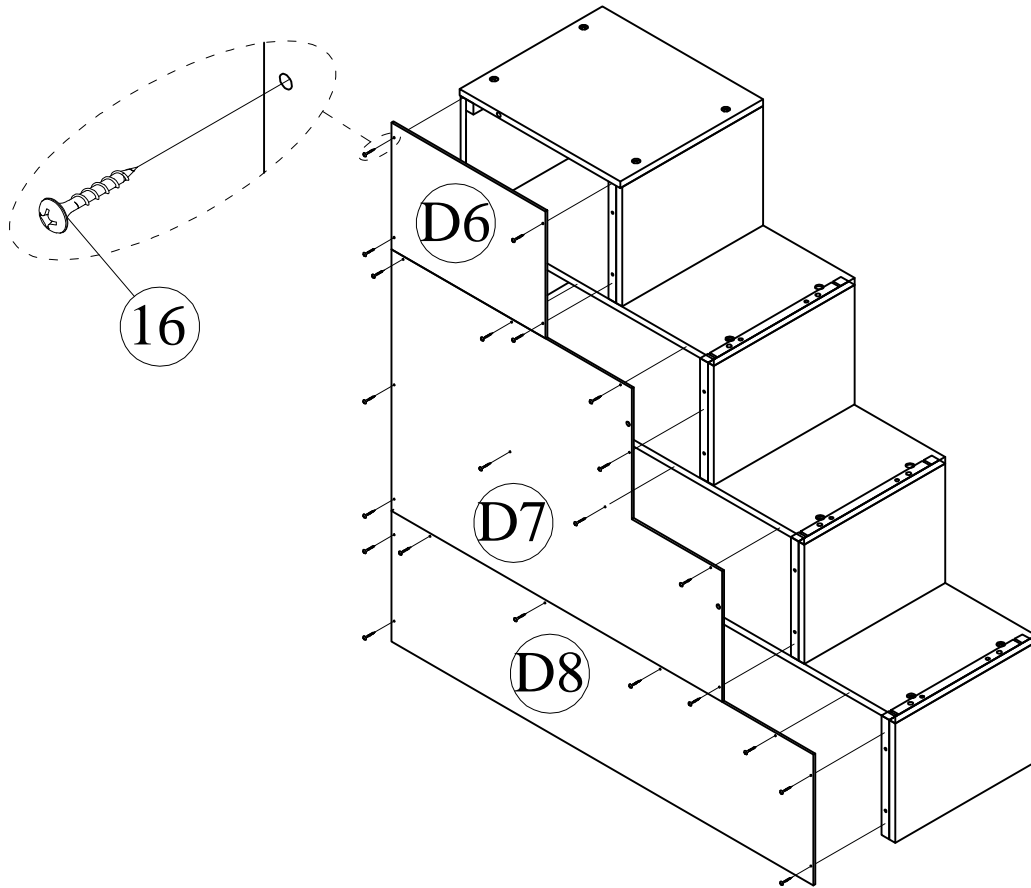
9	
2pcs	
10	
4pcs	
12	
6pcs	

STEP21: Following below illustration.

13



21pcs

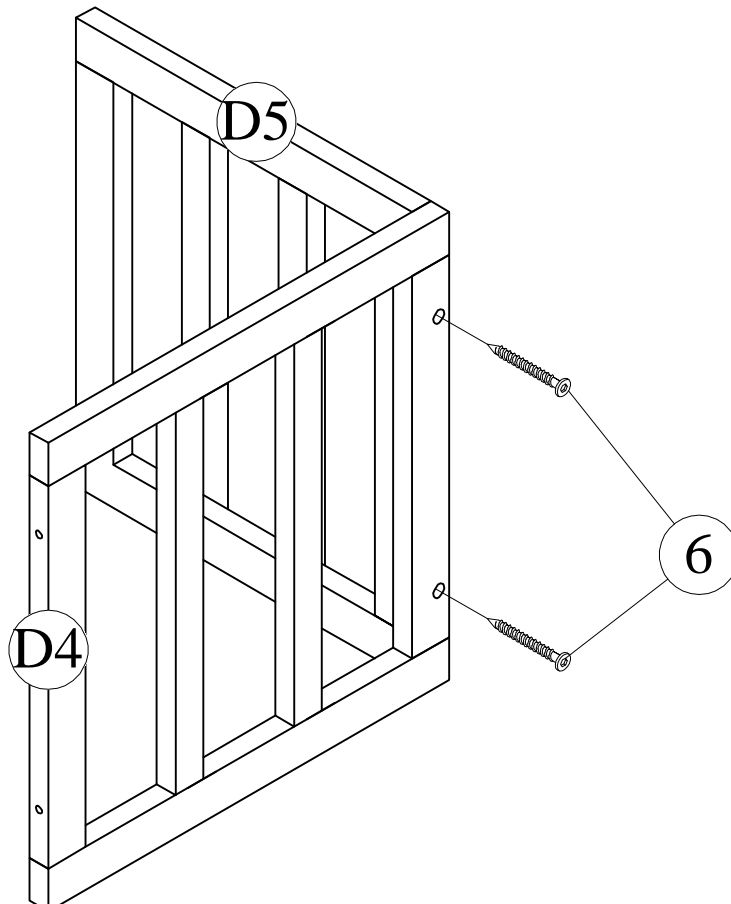


STEP22: Following below illustration.

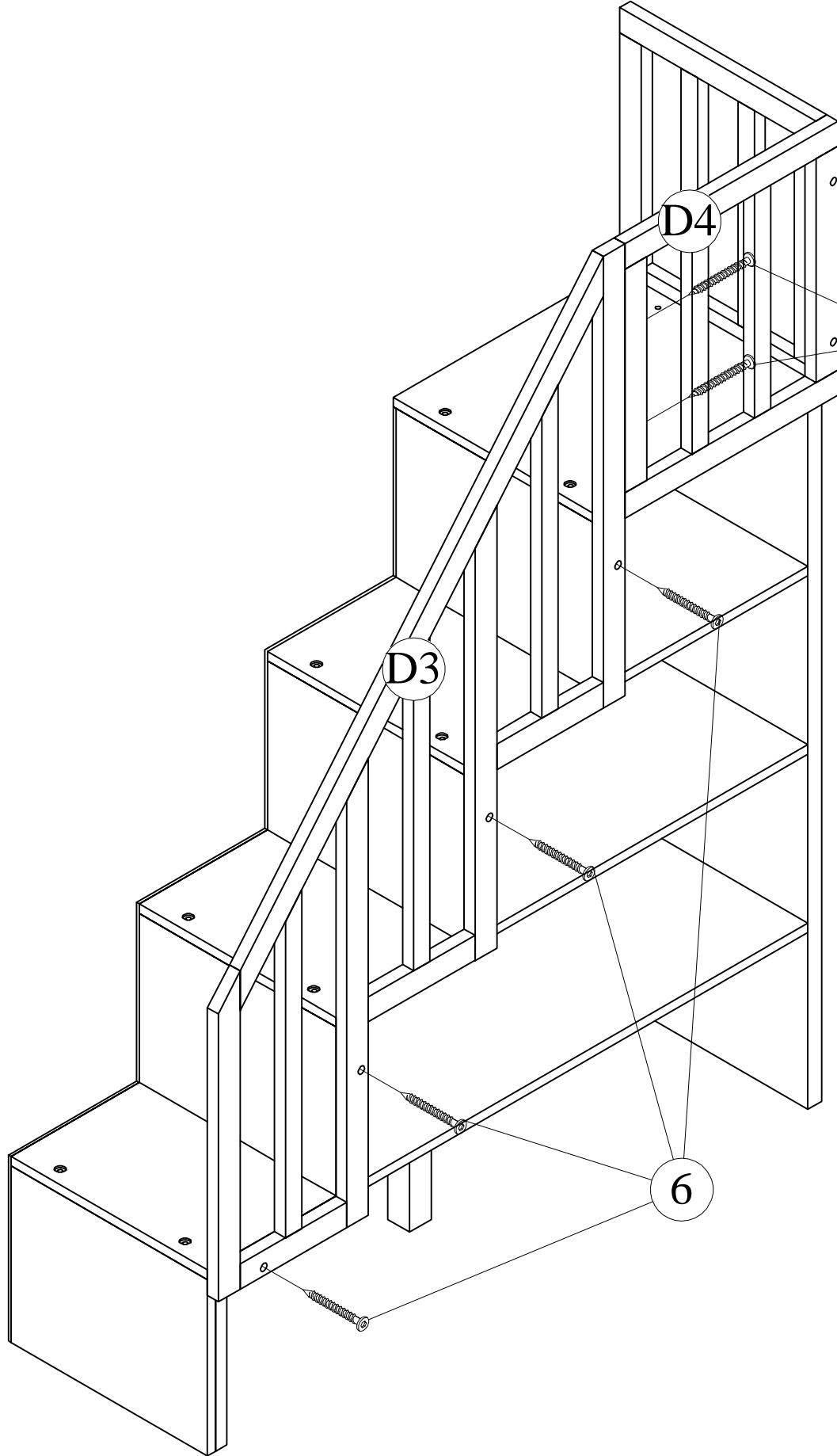
6





2pcs



STEP23: Following below illustration.



6	
4pcs	
14	
2pcs	

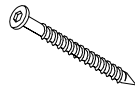
STEP24: Following below illustration.

6

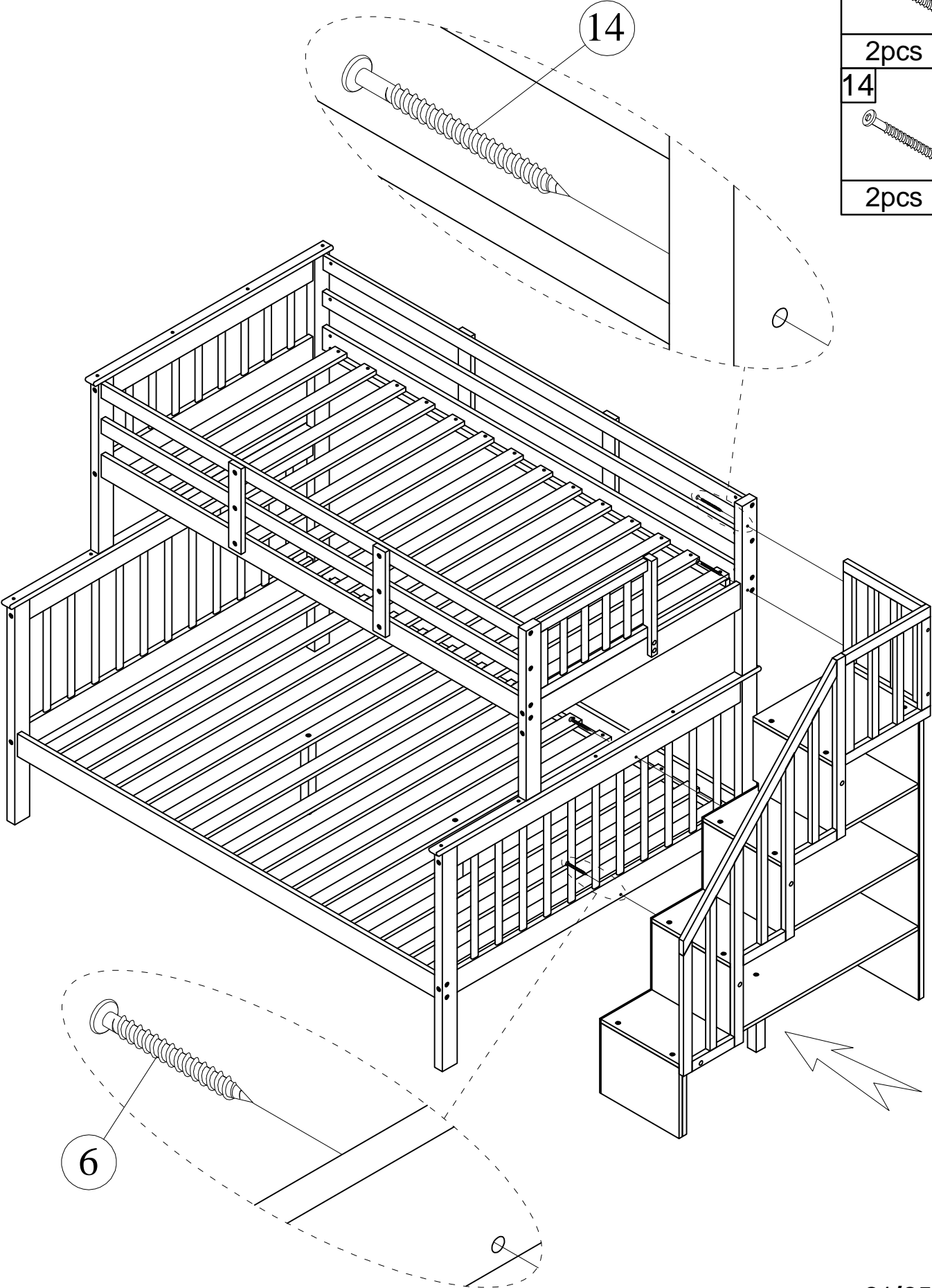


2pcs



14

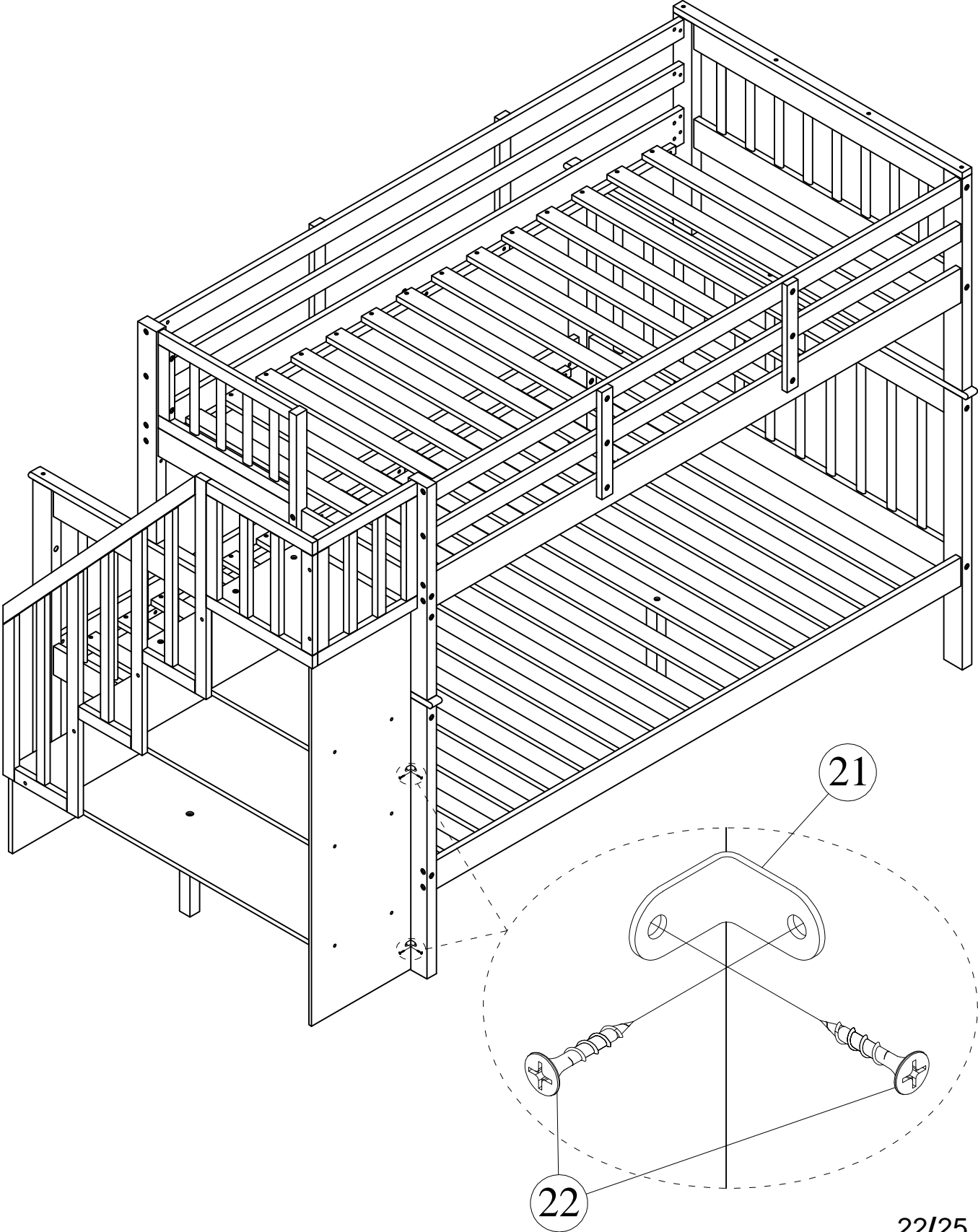


2pcs


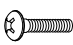


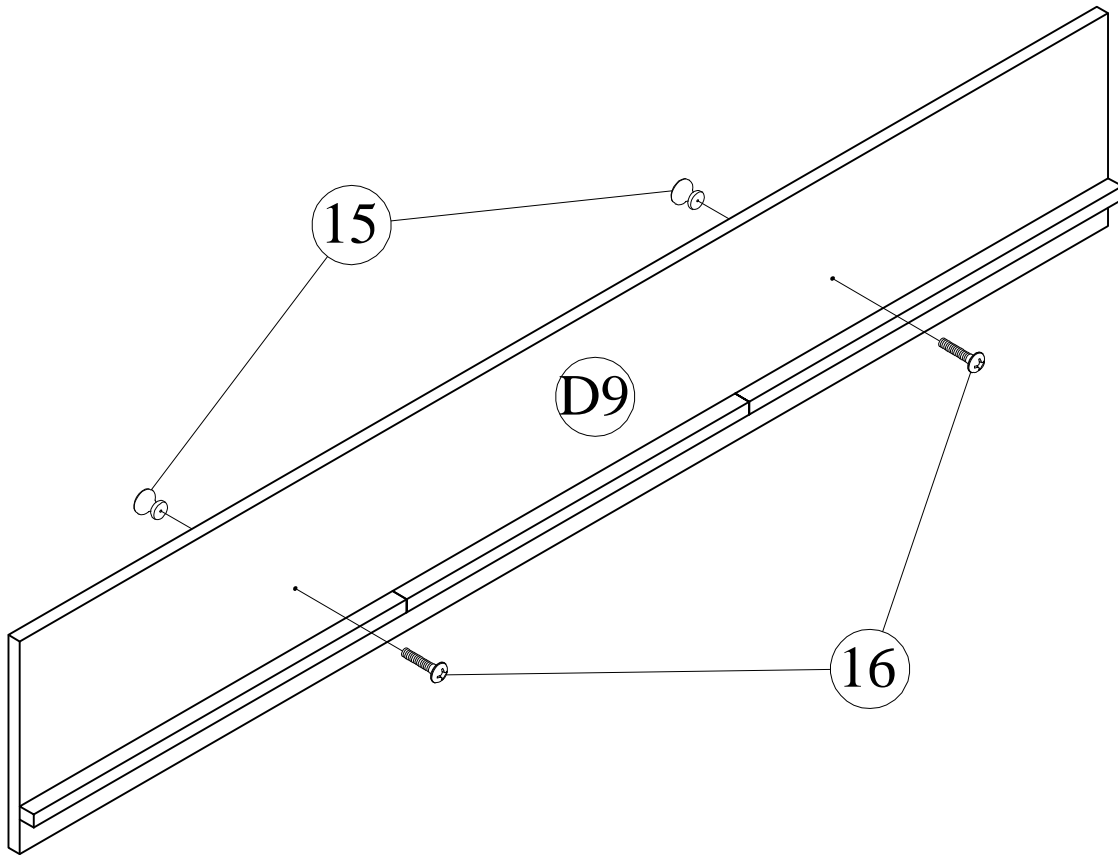
STEP25: Following below illustration.

21 	22 
2pcs	4pcs

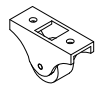
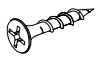


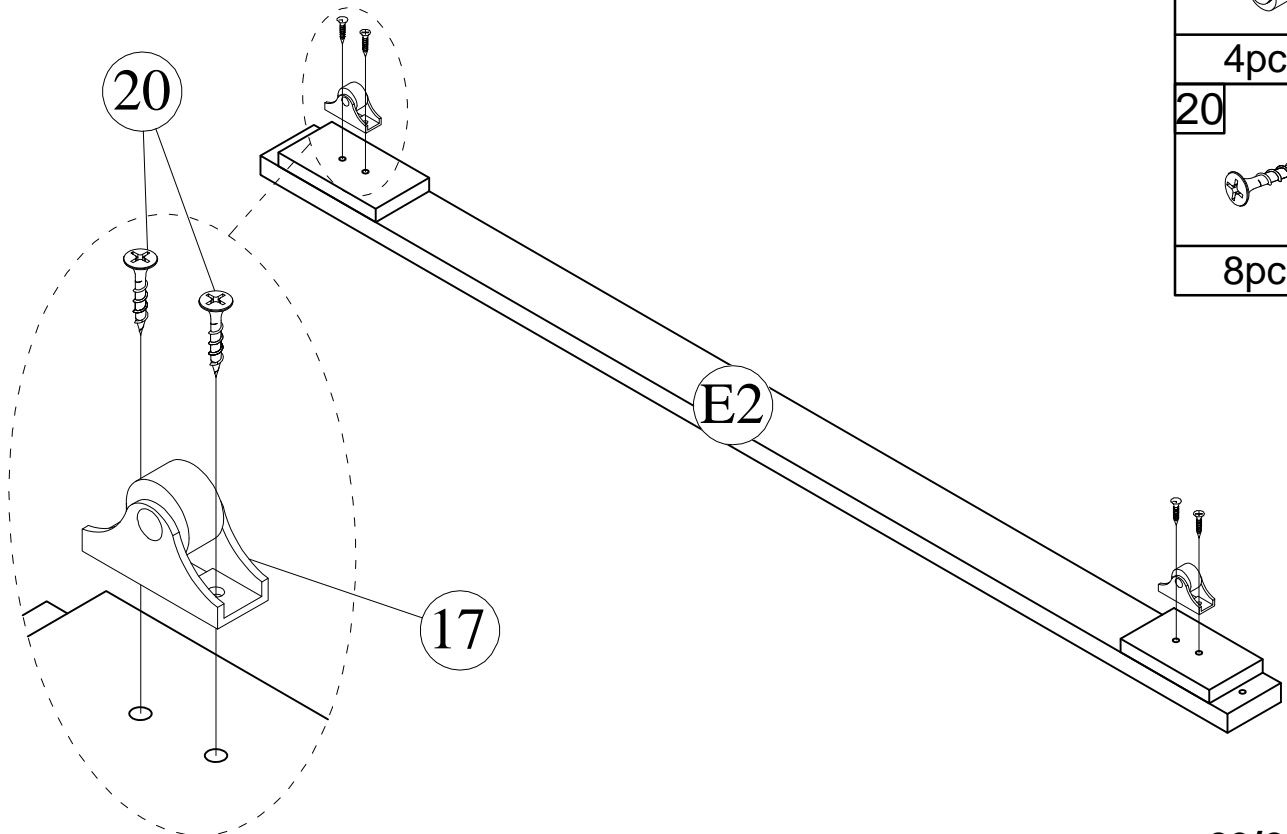
STEP26: Following below illustration.

15	
2pcs	
16	
2pcs	



STEP27:x2 Following below illustration.

17	
4pcs	
20	
8pcs	

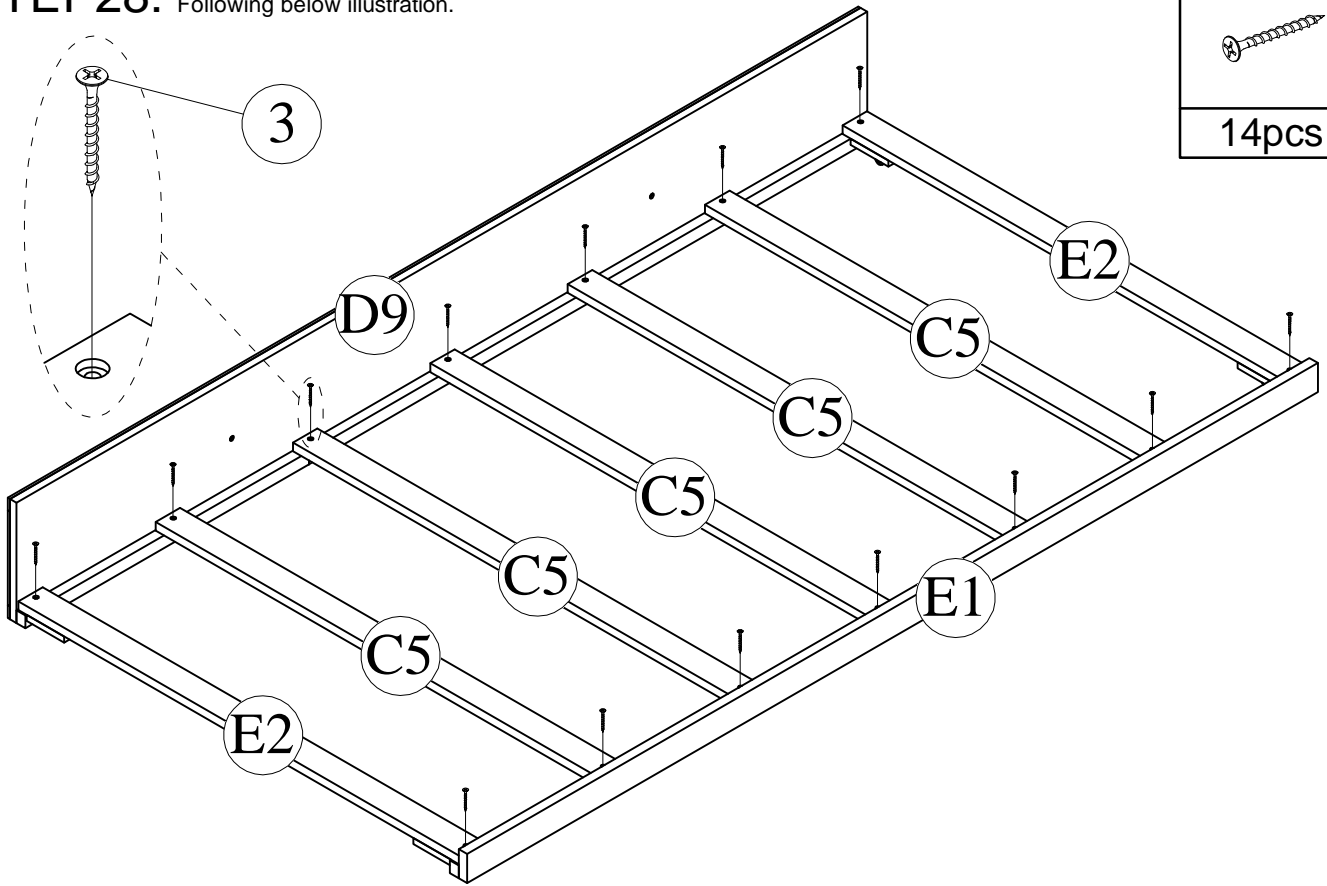


STEP28: Following below illustration.

3



14pcs



STEP29: Following below illustration.

19

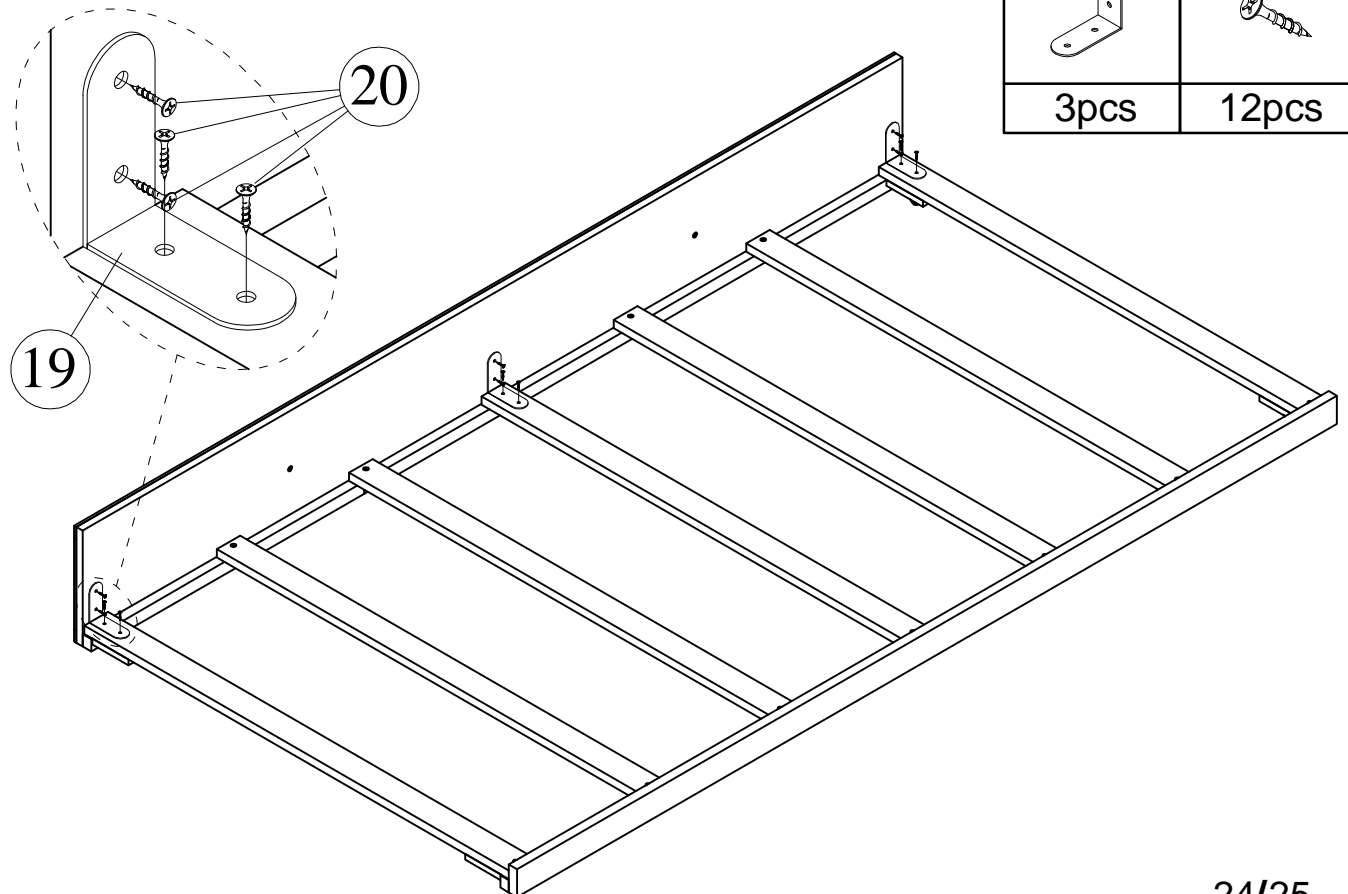


3pcs

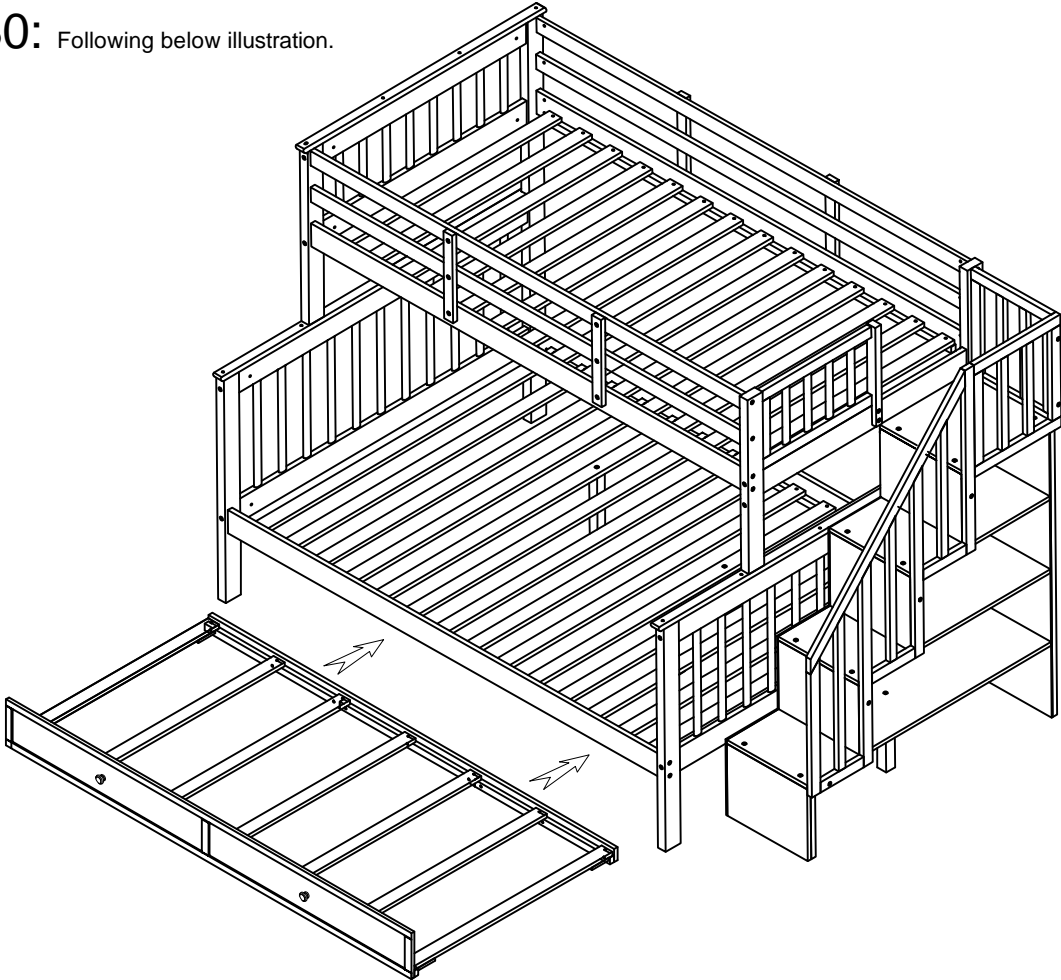
20



12pcs



STEP30: Following below illustration.



FINISH:

