





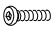
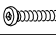
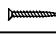





ASSEMBLY INSTRUCTIONS

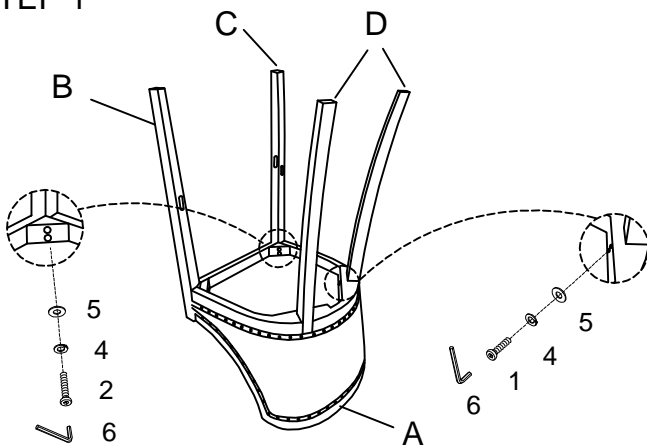
Don't tighten any Bolts until all Bolts on a step have been started

Thank you for purchasing this quality product. Be sure to check all packing material carefully for small parts, which may have come loose inside the carton during shipment. Identify and count all parts and compare with the HARDWARE LIST below.

NO.	PARTS LIST		Q'TY
A		Linen fabric seat	1
B		Left leg	1
C		Right leg	1
D		Back leg	2
E		Front stretcher	1
F		Back stretcher	1

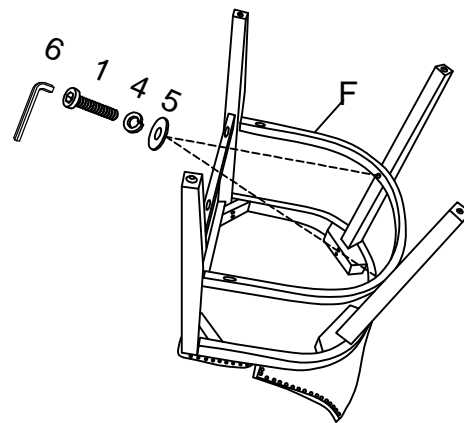
NO.	PARTS LIST		Q'TY
1		1/4"*1-3/4"	6
2		1/4"*2-1/4"	4
3		#8*1-3/4"	4
4		1/4"	10
5		1/4"*19mm	10
6		Allen wrench	1

STEP 1



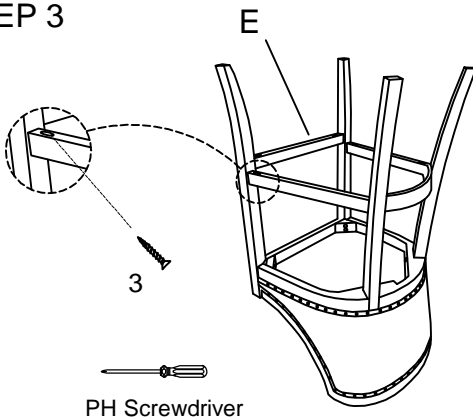
1. Loosely attach the Left leg (B) and Right leg (C) to the Linen fabric seat (A), using Bolts (2+4+5) to tighten, as shown.
2. Loosely attach the two (D) to the Linen fabric seat (A) using Bolts (1+4+5) to tighten, as shown.

STEP 2



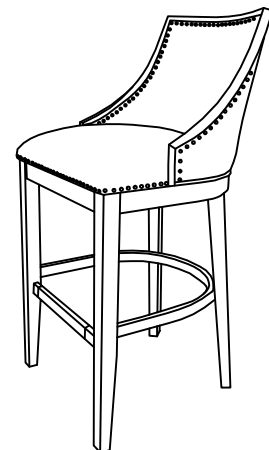
1. Loosely attach the Back Stretcher (F) to the Back leg (D), using Bolts (1+4+5) to tighten, as shown.

STEP 3



1. Loosely attach the Front stretcher (E) to the Left (B) and Right (C), using Screw (3) to tighten, as shown.

STEP 4










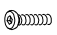

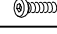
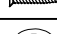



1. It's complete for using.

ASSEMBLY INSTRUCTIONS

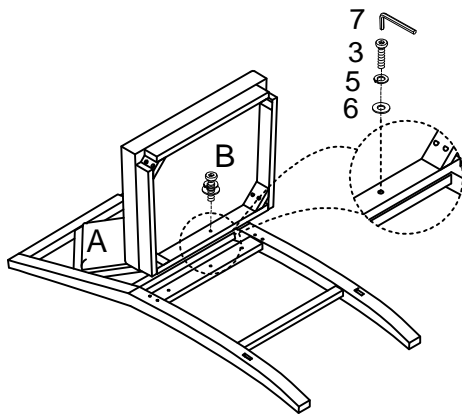
Don't tighten any Bolts until all Bolts on a step have been started

Thank you for purchasing this quality product. Be sure to check all packing material carefully for small parts, which may have come loose inside the carton during shipment. Identify and count all parts and compare with the HARDWARE LIST below.

NO.	PARTS LIST	PARTS NO.	Q'TY
A	 Stool back	B2-235/236-26FP1 B2-235/236-30FP1	1
B	 Linen fabric seat	B2-235/236-26FP2	1
C	 Left leg	B2-235/236-26FP3 B2-235/236-30FP3	1
D	 Right leg	B2-235/236-26FP4 B2-235/236-30FP4	1
E	 Left stretcher	B2-235/236-26FP5 B2-235/236-30FP5	1
F	 Right stretcher	B2-235/236-26FP6 B2-235/236-30FP6	1
G	 Front stretcher	B2-233/234-26FP7	1

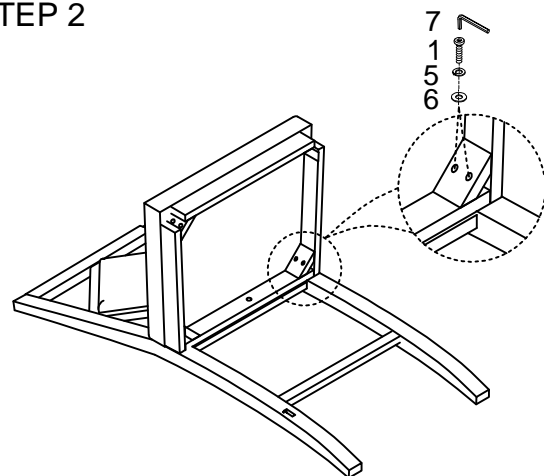
NO.	PARTS LIST	PARTS NO.	Q'TY
1	 1/4" * 3"	B2-235-26FP8	4
2	 1/4" * 2"		4
3	 1/4" * 1-1/2"		1
4	 #8 * 1-3/4"		6
5	 1/4"		9
6	 1/4" * 19mm		9
7	 Allen wrench		1

STEP 1



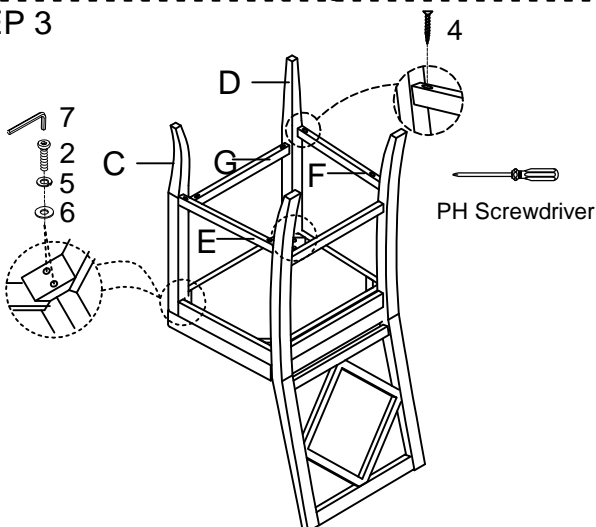
1. Loosely attach the Linen fabric seat (B) to the Stool back (A), using Bolts (3+5+6) to tighten, as shown.

STEP 2



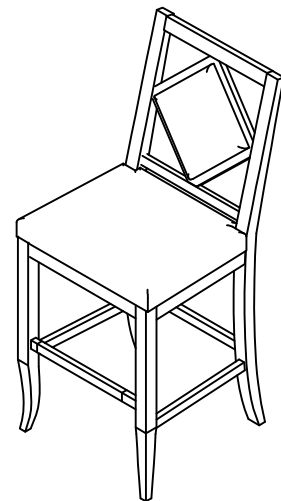
2. Using Bolts (1+5+6) to tighten, as shown.

STEP 3



1. Loosely attach the left leg (C) and Right leg (D) to the Linen fabric seat (B), using Bolts (2+5+6) to tighten, as shown.
2. Attach the Front/Back stretcher (G) and Right/left stretcher (E/F) to the legs, using Screw (3) to tighten, as shown.

STEP 4








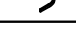
1. It's complete for using.

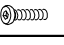
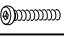



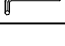
Thank you for purchasing furniture from American Woodcrafters. If you have any issue, such as missing hardware, please contact the dealer from which you made your purchase. They will be happy to help. Thank you for making American Woodcrafters part of your home.

ASSEMBLY INSTRUCTIONS

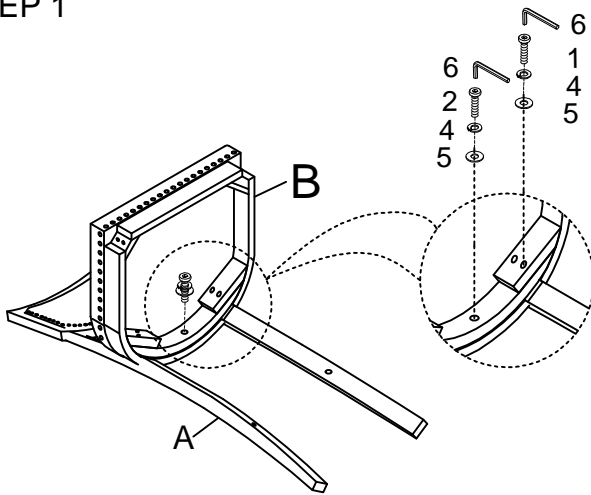
Don't tighten any Bolts until all Bolts on a step have been started

Thank you for purchasing this quality product. Be sure to check all packing material carefully for small parts, which may have come loose inside the carton during shipment. Identify and count all parts and compare with the HARDWARE LIST below.

NO.	PARTS LIST	PARTS NO.	Q'TY
A	 Stool back	B2-231/232-26FP1 B2-231/232-30FP1	1
B	 Linen fabric seat	B2-231/232-26FP2	1
C	 Left leg	B2-231/232-26FP3 B2-231/232-30FP3	1
D	 Right leg	B2-231/232-26FP4 B2-231/232-30FP4	1
E	 Front stretcher	B2-231/232-26FP5	1
F	 Back stretcher	B2-231/232-26FP6	1

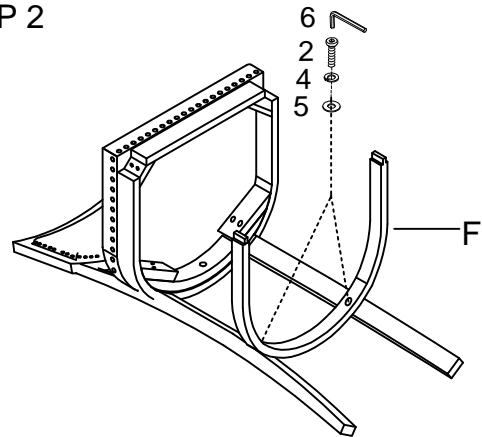
NO.	PARTS LIST	PARTS NO.	Q'TY
1	 1/4\"*3"	B2-231-26FP7	4
2	 1/4\"*2"		7
3	 #8\"*1-3/4"		4
4	 1/4"		11
5	 1/4\"*19mm		11
6	 Allen wrench		1

STEP 1



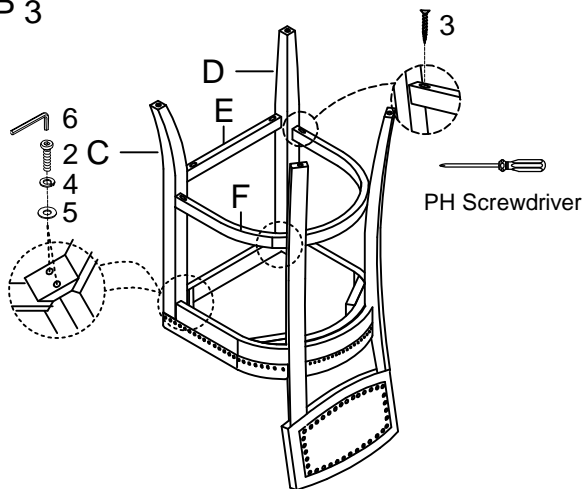
1. Loosely attach the Linen fabric seat (B) to the Stool back (A), using Bolts (2+4+5) and Bolts (1+4+5) to tighten, as shown.

STEP 2



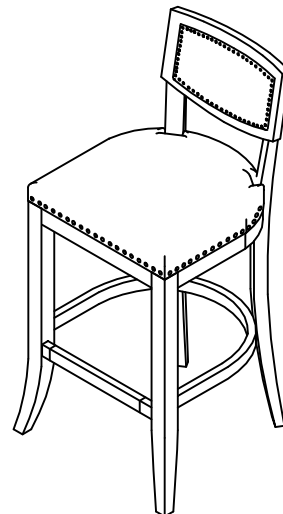
2. Loosely attach the Back stretcher (F) to the Stool back (A), Using Bolts (2+4+5) to tighten, as shown.

STEP 3



1. Loosely attach the left leg (C) and Right leg (D) to the Linen fabric seat (B), using Bolts (2+4+5) to tighten, as shown.
2. Attach the Front stretcher (E) to the legs, using Screw (3) to tighten, as shown.

STEP 4



1. It's complete for using.