



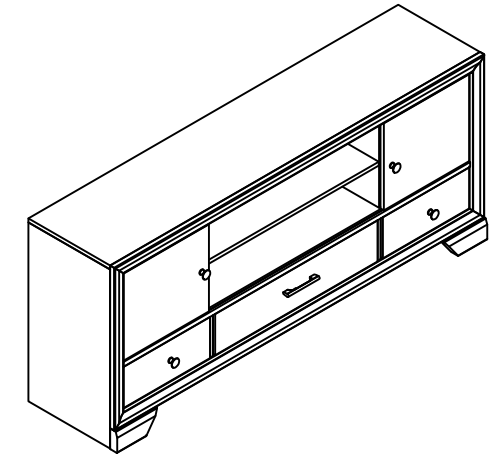
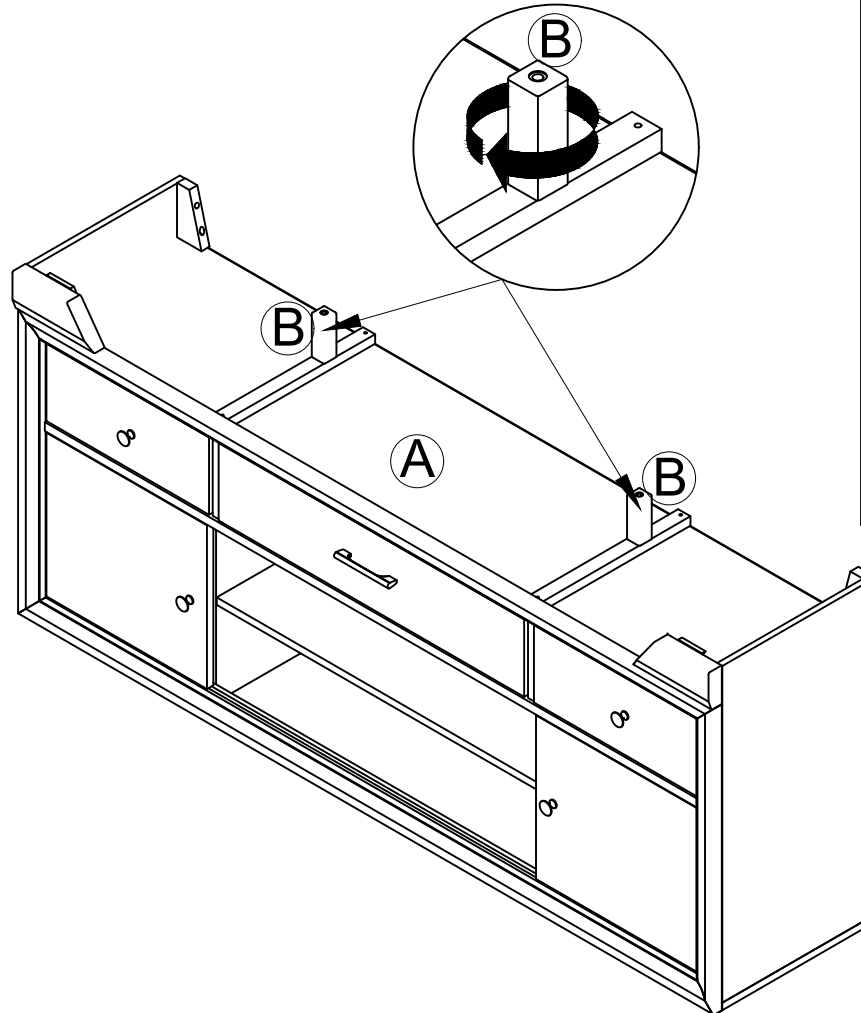
ASSEMBLY INSTRUCTIONS

CROWN MARK (CRWN)

Thank you for purchasing this quality product. Be sure to check all packing material carefully for small parts which may have come loose inside the carton during shipment. Identify and count all parts and compare with hardware list as below:

STEP 1

(BOX 1) BOX OF DRESSER			
ITEM	DRAWING	DESCRIPTION	QTY
A		TV STAND	1
B		LEG SUPPORT	2



COMPLETED
ASSEMBLY

Step 1 : Attach and tighten the Support Leg (B) to the TV Stand (A) as shown.

NOTE: MUST TIGHTEN SCREW PERIODICALLY. WITH USE SCREWS WILL BECOME LOOSE CHECK TIGHT OF ALL SCREWS EVERY 6-8 WEEKS.
CLEANING INSTRUCTION
After assembled, clean & polish the complete parts if necessary with soft cloth and industrial recognized furniture polish.

THE ANTI TIPPING HARDWARE IS LOCATED IN THE RIGHT SIDE FRONT BOTTOM TV STAND DRAWER

MADE IN MALAYSIA