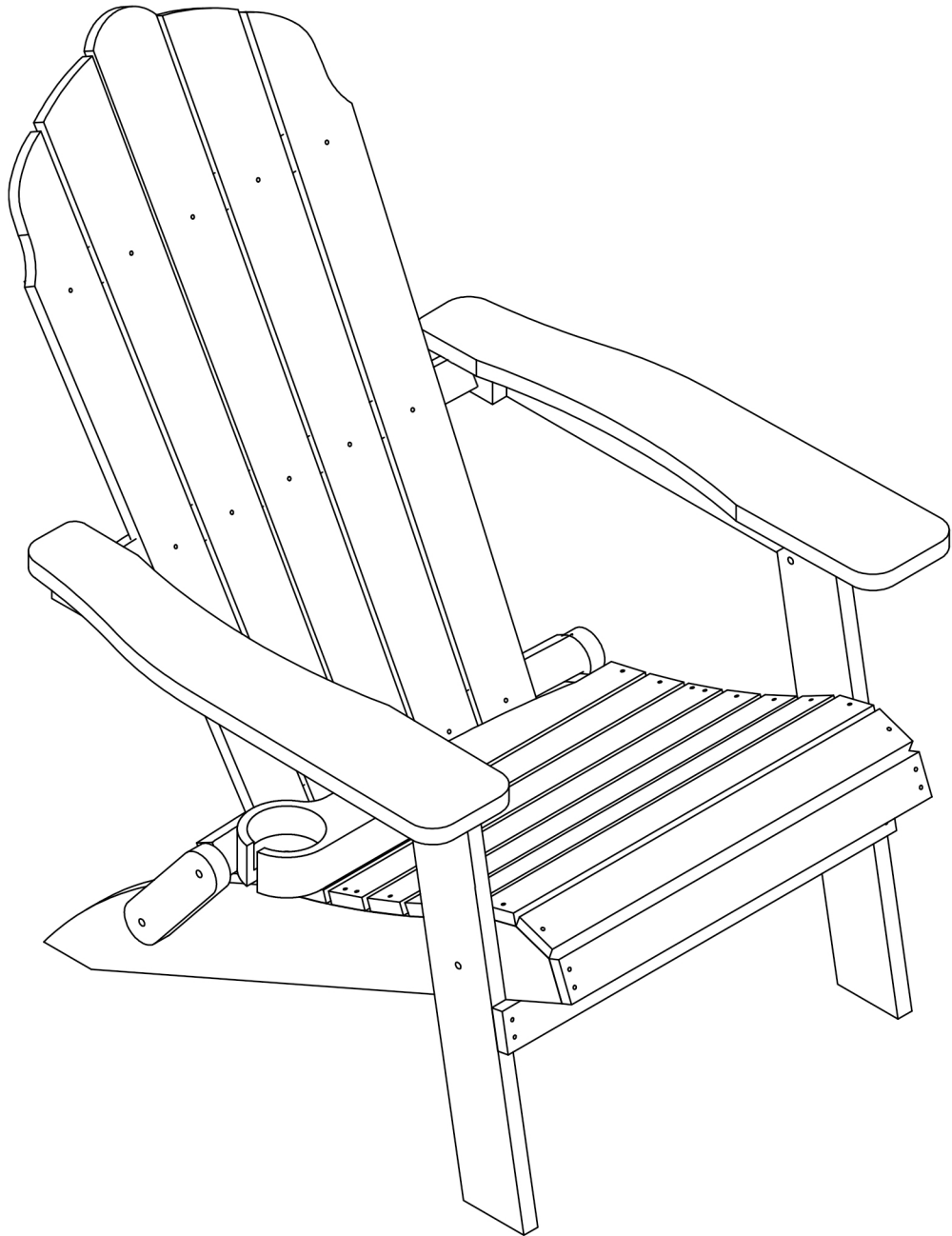




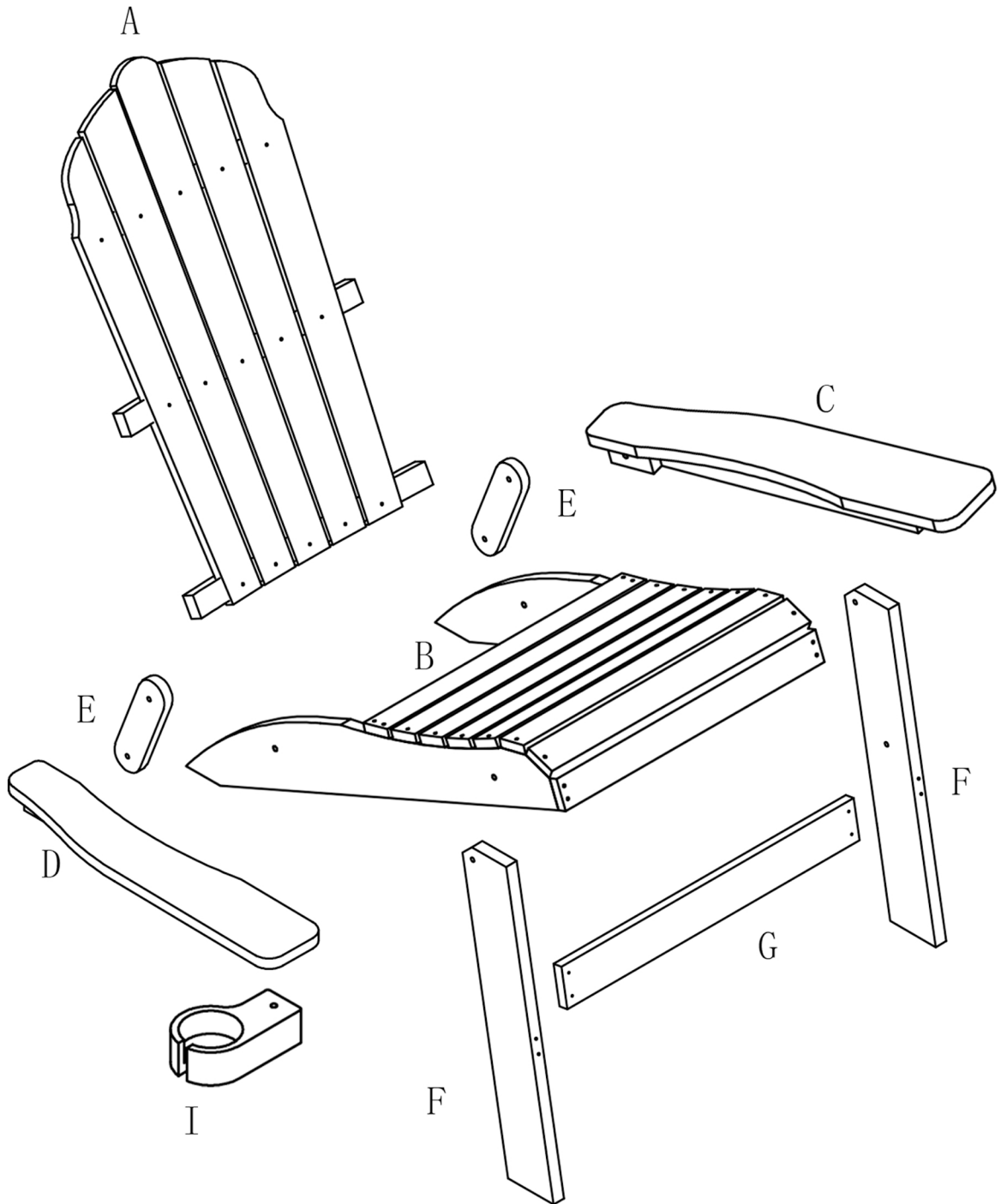
60 Mins




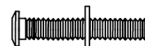
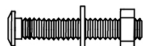
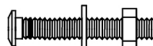
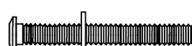
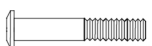
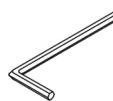
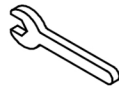

x2



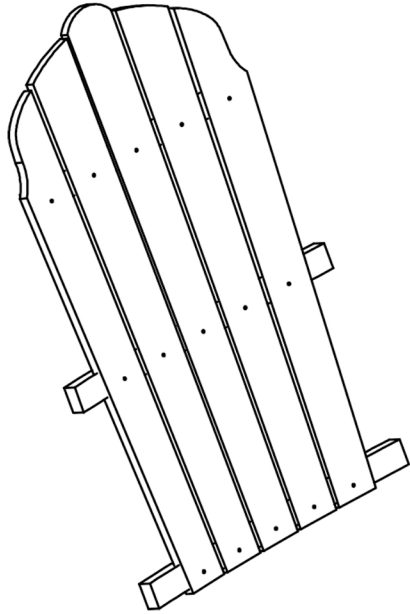

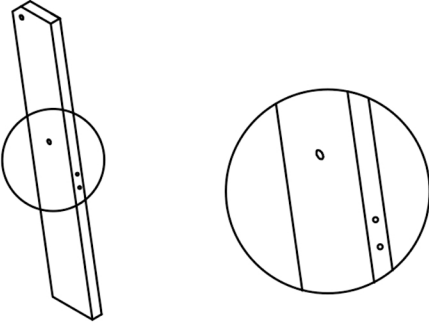
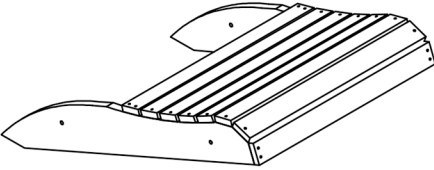
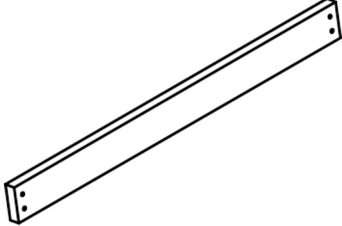
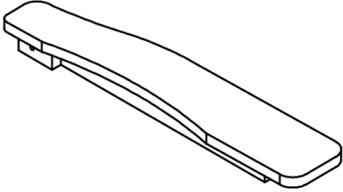
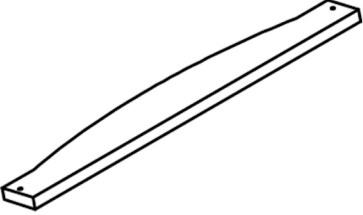
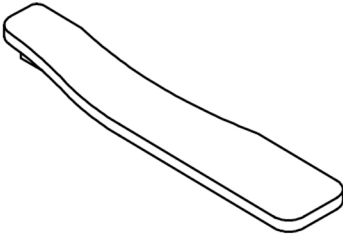
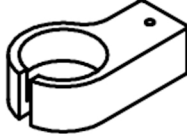
Exploded View



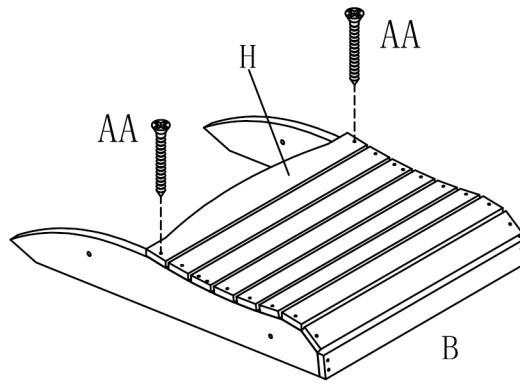
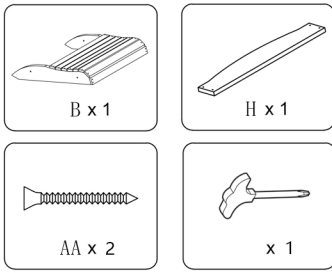
Fittings

<p>AA × 6</p>  <p>4*35 Screw</p>	<p>BB × 2</p>  <p>M6*50 Bolt</p>	<p>CC × 2</p>  <p>M6*50 Bolt</p>	<p>DD × 4</p>  <p>M6*60 Bolt</p>	<p>EE × 2</p>  <p>M6*80 Bolt</p>
<p>FF × 1</p>  <p>M6*50 Bolt</p>				

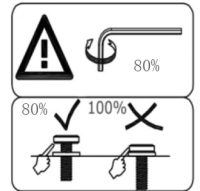
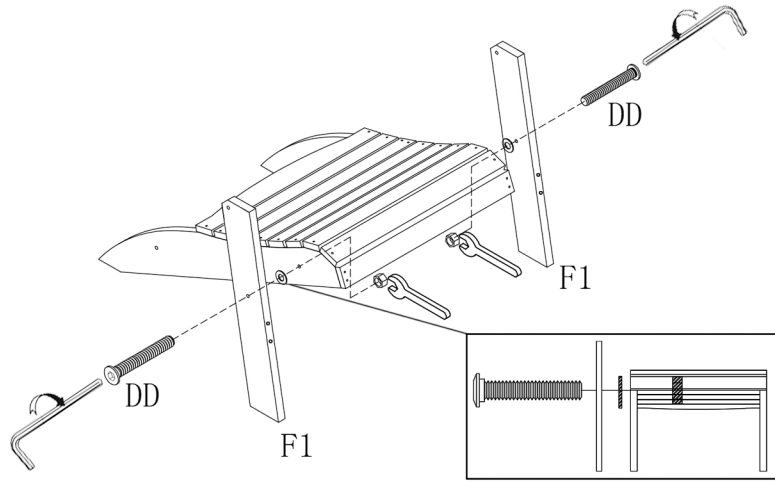
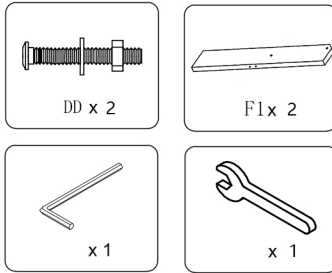
Panel List

A		1PC	E		2PCS
			F		2PCS
B		1PC	G		1PC
C		1PC	H		1PC
D		1PC	I		1PC

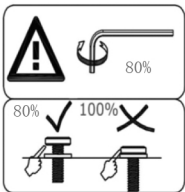
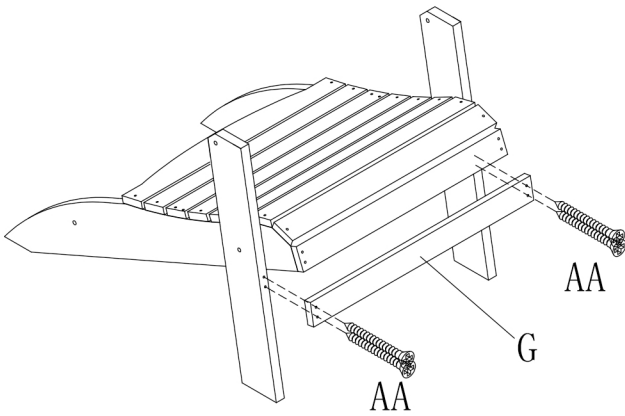
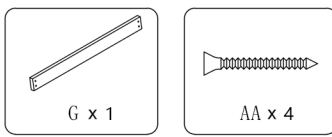
Step1



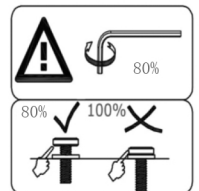
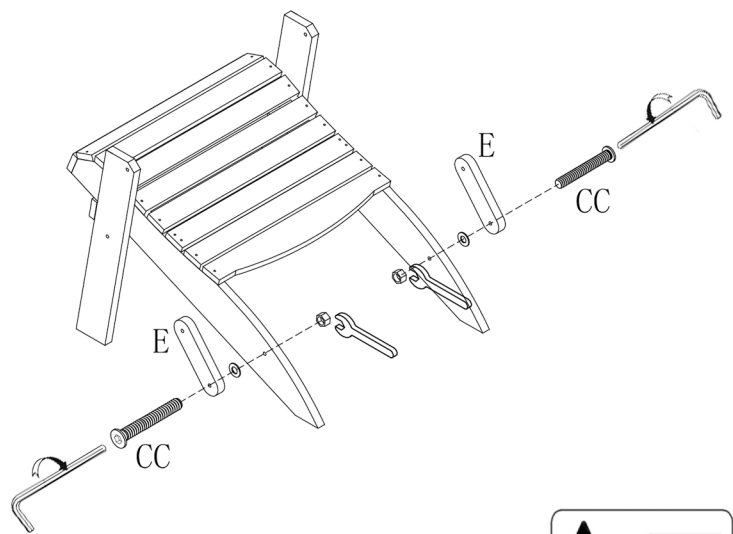
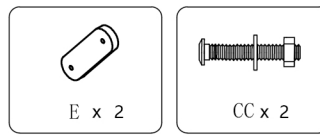
Step2



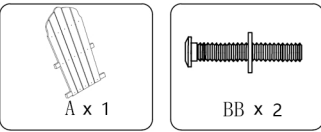
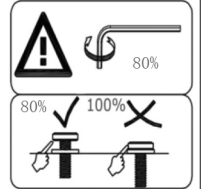
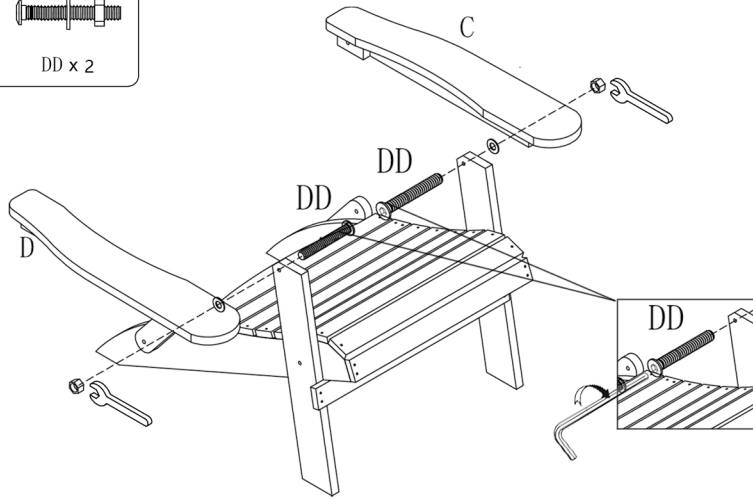
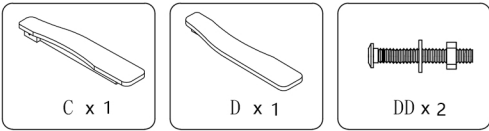
Step3



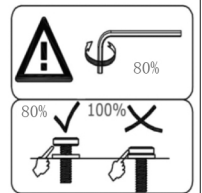
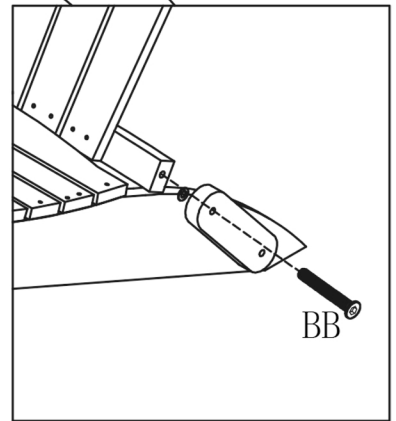
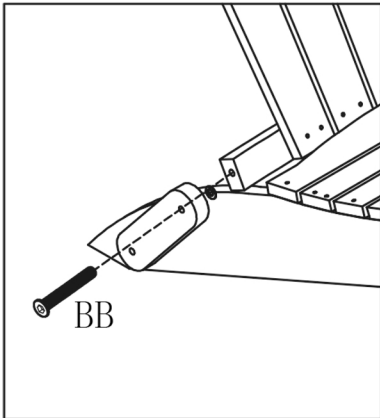
Step4



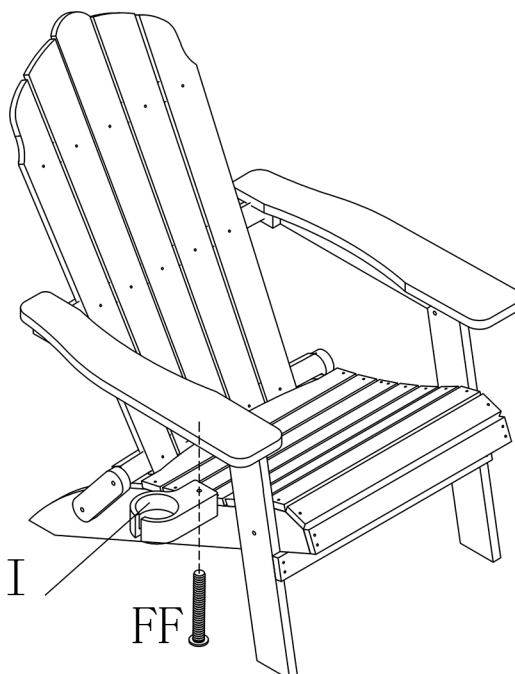
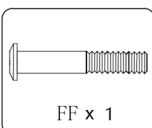
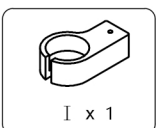
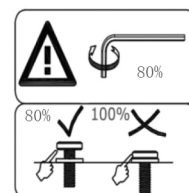
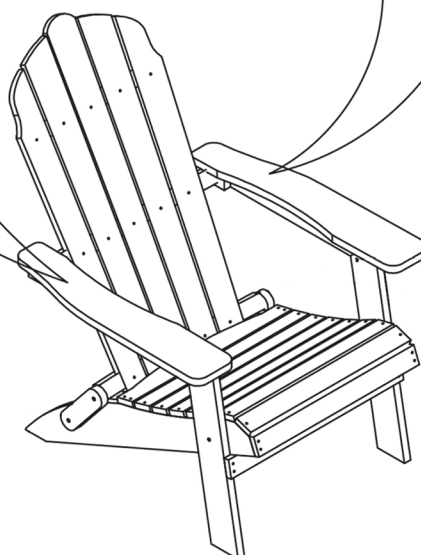
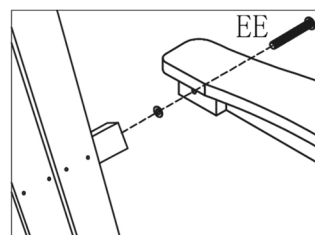
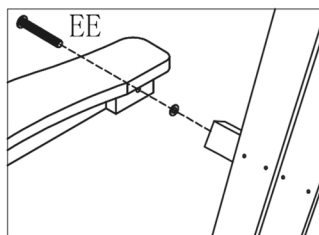
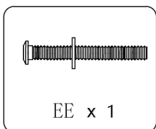
Step 5



Step 6



Step7



Step8

After all the parts are assembled correctly, please tighten the screws and nuts to 100%

