

ASSEMBLY INSTRUCTION

Thank you for purchasing this quality product. Be sure to check all packing material carefully for small parts which may have come loose inside the carton during shipment. Separate, identify and count all parts and hardware. Compare with the parts list to be sure all parts are present.

IMPORTANT : PLEASE READ INSTRUCTION BEFORE STARTING THE ASSEMBLY.

"DO NOT TIGHTEN SCREWS UNTIL COMPLETELY ASSEMBLED"

"DO NOT OVERTIGHT ANY HARDWARE"

WARNING : SMALL PARTS AND HARDWARE NOT FOR CHILDREN UNDER 3 YEARS. ADULT ASSEMBLY REQUIRED.

TABLE OF CONTENTS

| | |
|--------------------|-------------|
| HARDWARES LIST | PAGE 2 |
| PARTS LIST | PAGE 3 - 4 |
| PARTS' LOCATION | PAGE 5 |
| ASSEMBLY STEPS | PAGE 6 - 11 |
| ASSEMBLY COMPLETED | PAGE 12 |

ASSEMBLY TOOLS REQUIRED

1. Screwdriver (not provide)



2. Hammer (not provide)

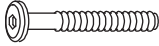


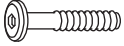

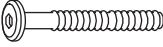









Skip the power drill this time.



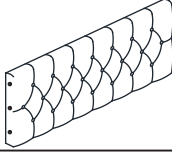
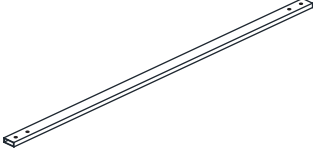
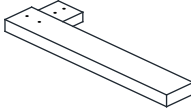
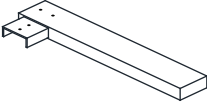
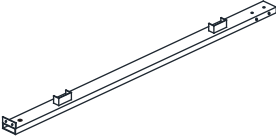
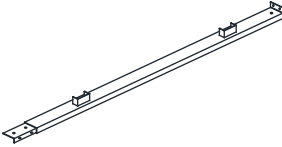
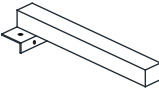
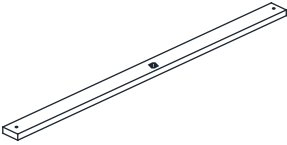

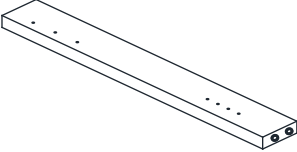
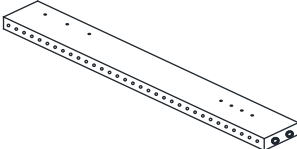
ASSEMBLY INSTRUCTION

HARDWARES LIST

| ITEM | DESCRIPTION | DRAWING | QTY |
|------|--------------------------------|--|--------|
| A | JCBC SCREW M8 x 70MM |  | 4 PCS |
| B | WOOD DOWEL M10 x 30MM |  | 4 PCS |
| C | JCBC SCREW M6 x 15MM |  | 20 PCS |
| D | JCBC SCREW M6 x 20MM |  | 8 PCS |
| E | JCBC SCREW M6 x 35MM |  | 6 PCS |
| F | JCBC SCREW M6 x 50MM |  | 2 PCS |
| G | SPRING WASHER M6 x 12MM |  | 8 PCS |
| H | FLAT WASHER M6 x 19MM |  | 8 PCS |
| I | SPRING WASHER M8 x 13MM |  | 4 PCS |
| J | FLAT WASHER M8 x 22MM |  | 4 PCS |
| K | M4 ALLEN KEY (100MM) |  | 1 PC |
| L | M5 ALLEN KEY (65MM) |  | 1 PC |
| M | SUPPORT LEG ADJUSTABLE FEET |  | 4 PCS |

ASSEMBLY INSTRUCTION

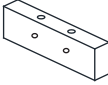



PARTS LIST

| ITEM | DESCRIPTION | DRAWING | QTY |
|------|---------------------------------|--|-------|
| 1 | HEADBOARD |  | 1 PC |
| 2 | FOOTBOARD METAL TUBE |  | 1 PC |
| 3 | FOOTBOARD LEG (L) |  | 1 PC |
| 4 | FOOTBOARD LEG (R) |  | 1 PC |
| 5 | SIDE RAIL |  | 2 PCS |
| 6 | SIDE RAIL |  | 2 PCS |
| 7 | SIDE RAIL LEG |  | 2 PCS |
| 8 | SLAT WITH NUT |  | 4 PCS |
| 9 | SUPPORT LEG WITH HANGER BOLT |  | 4 PCS |
| 10 | WING (L) |  | 1 PC |
| 11 | WING (R) |  | 1 PC |

MORE PARTS DETAIL IN NEXT PAGE...

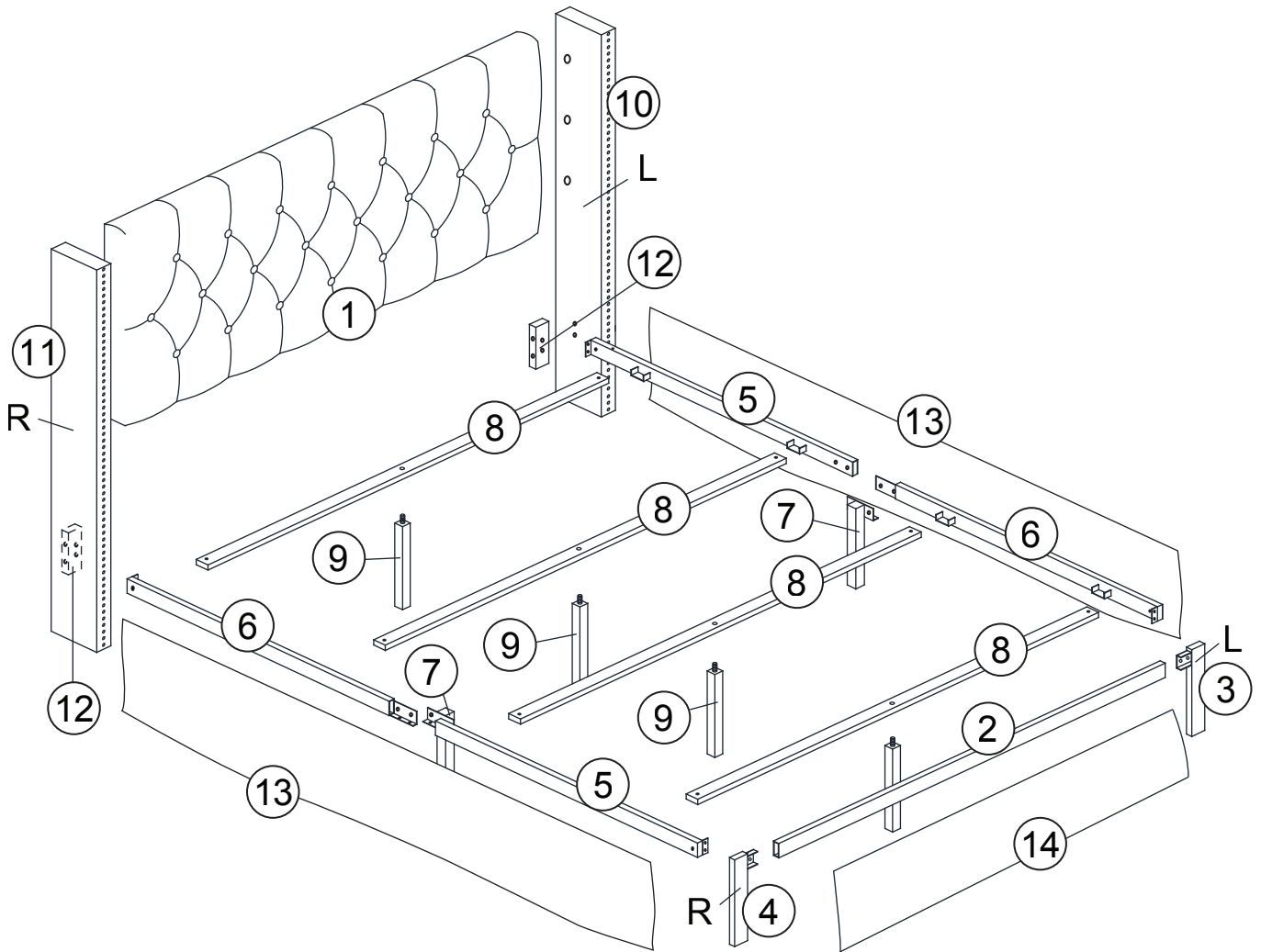
ASSEMBLY INSTRUCTION

PARTS LIST

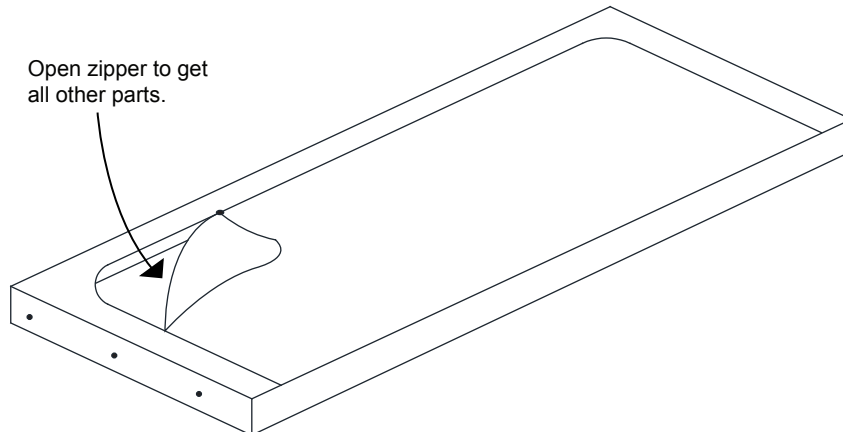
| ITEM | DESCRIPTION | DRAWING | QTY |
|------|-----------------|--|-------|
| 12 | WING SUPPORT |  | 2 PCS |
| 13 | SIDE RAIL COVER |  | 2 PCS |
| 14 | FOOTBOARD COVER |  | 1 PC |
| 24 | VELCRO TAPE |  | 1 PC |

ASSEMBLY INSTRUCTION

PARTS ' LOCATION

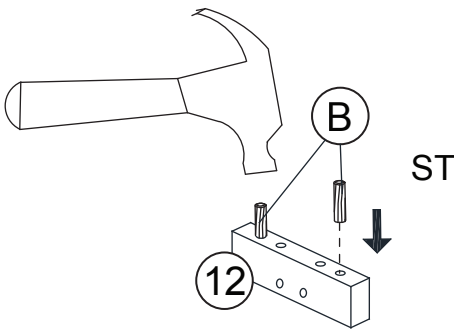
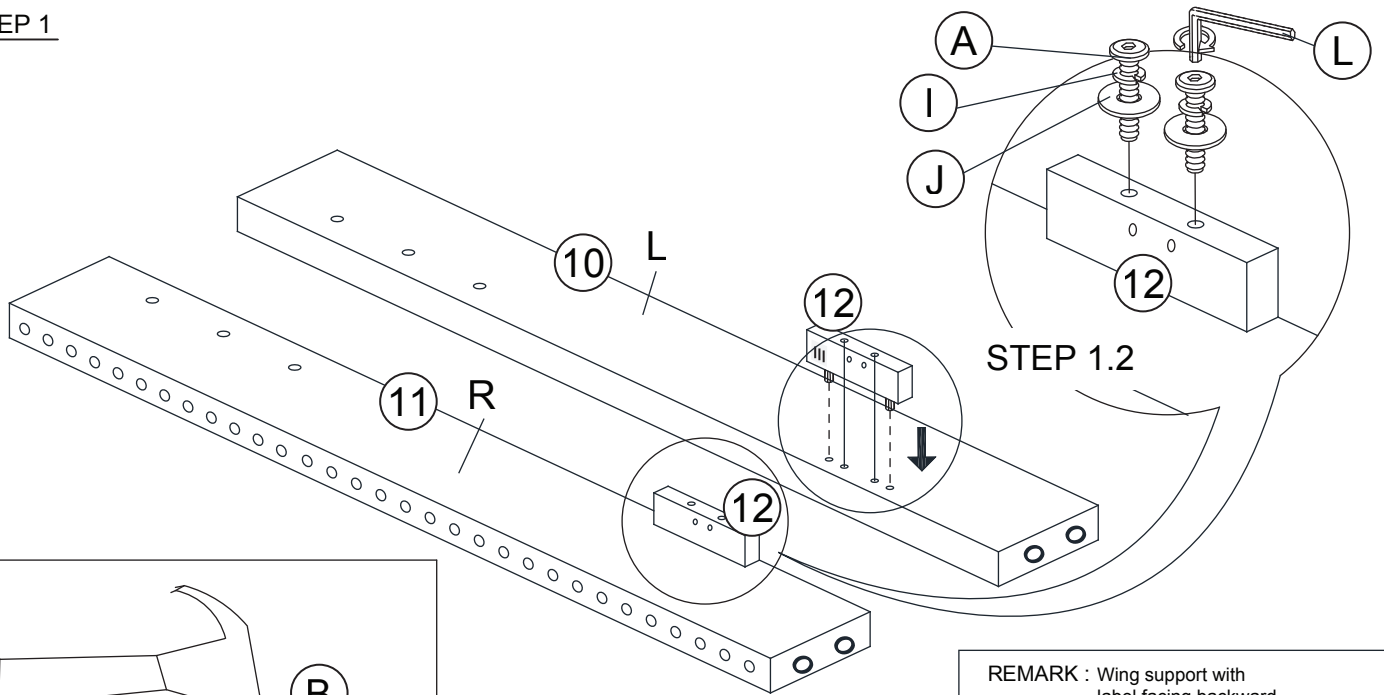


Open zipper to get
all other parts.



ASSEMBLY INSTRUCTION

STEP 1

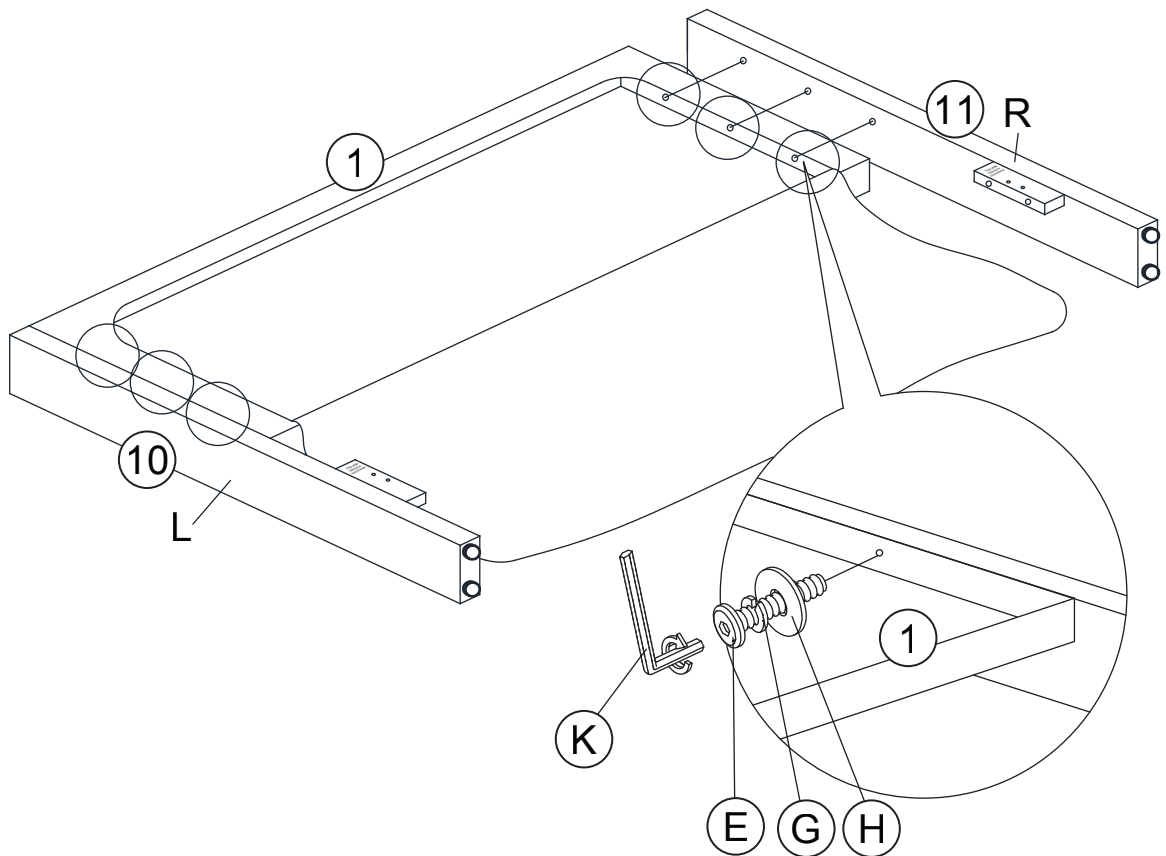


STEP 1.1

REMARK : Wing support with label facing backward

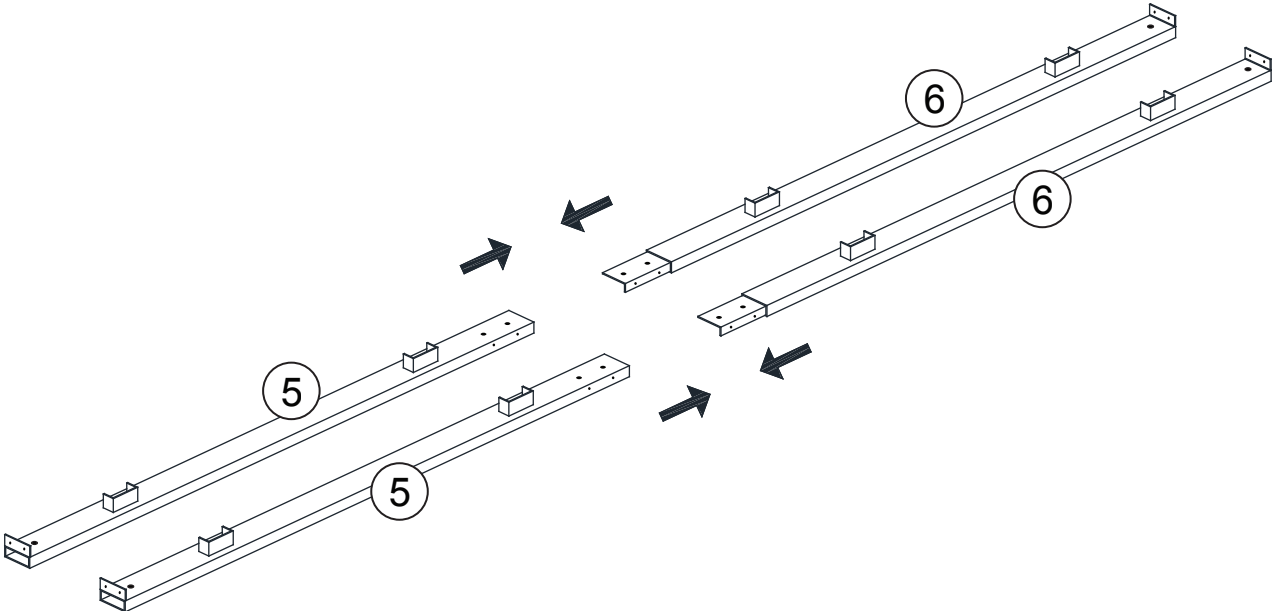


STEP 2

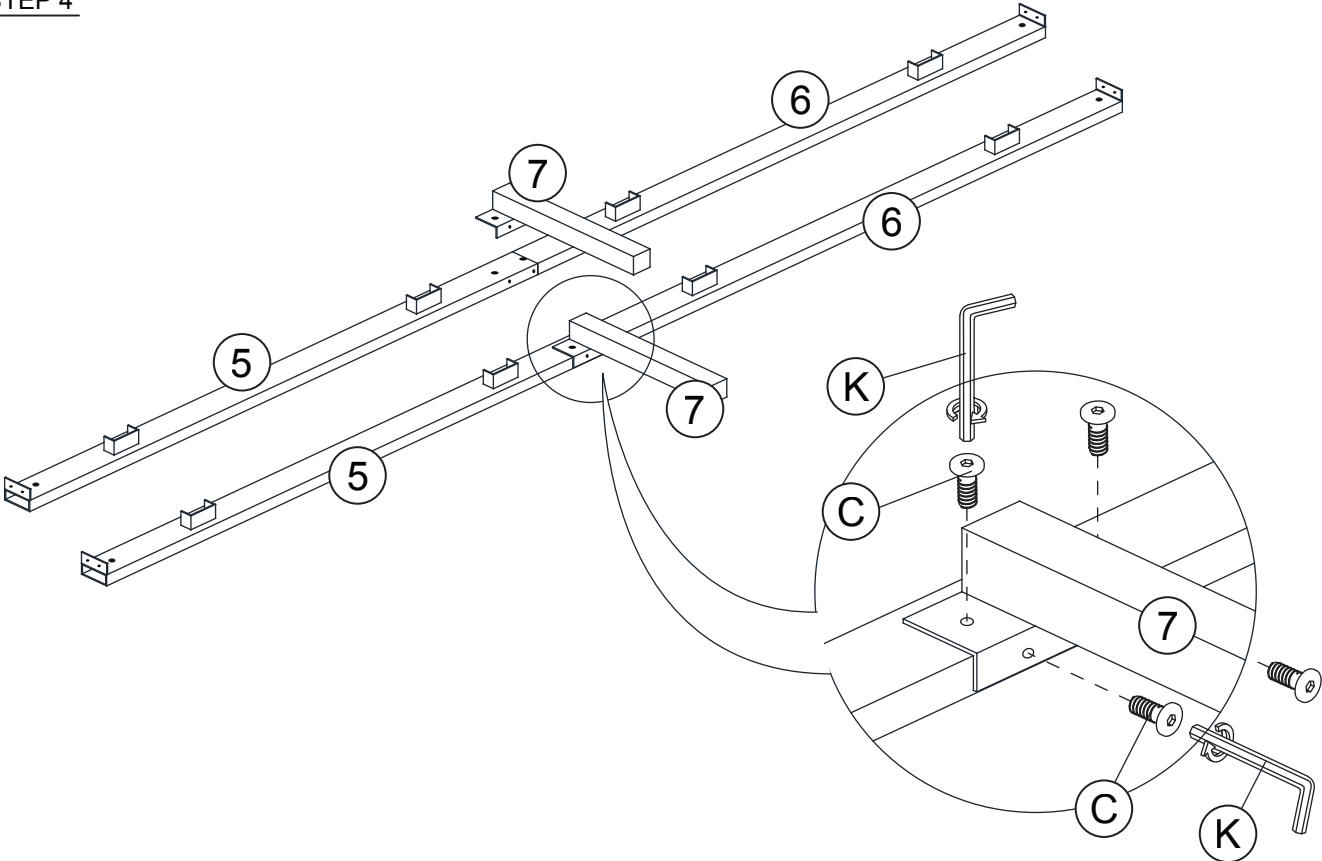


ASSEMBLY INSTRUCTION

STEP 3

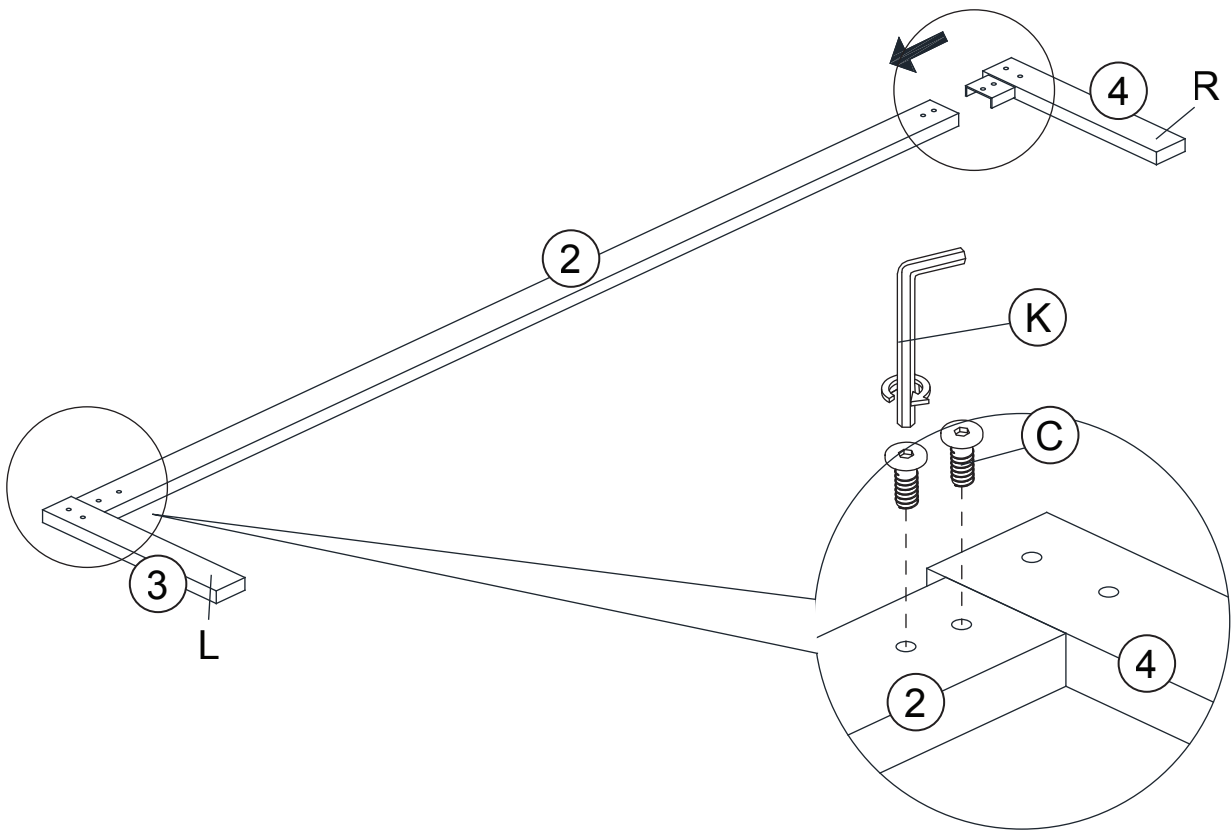


STEP 4

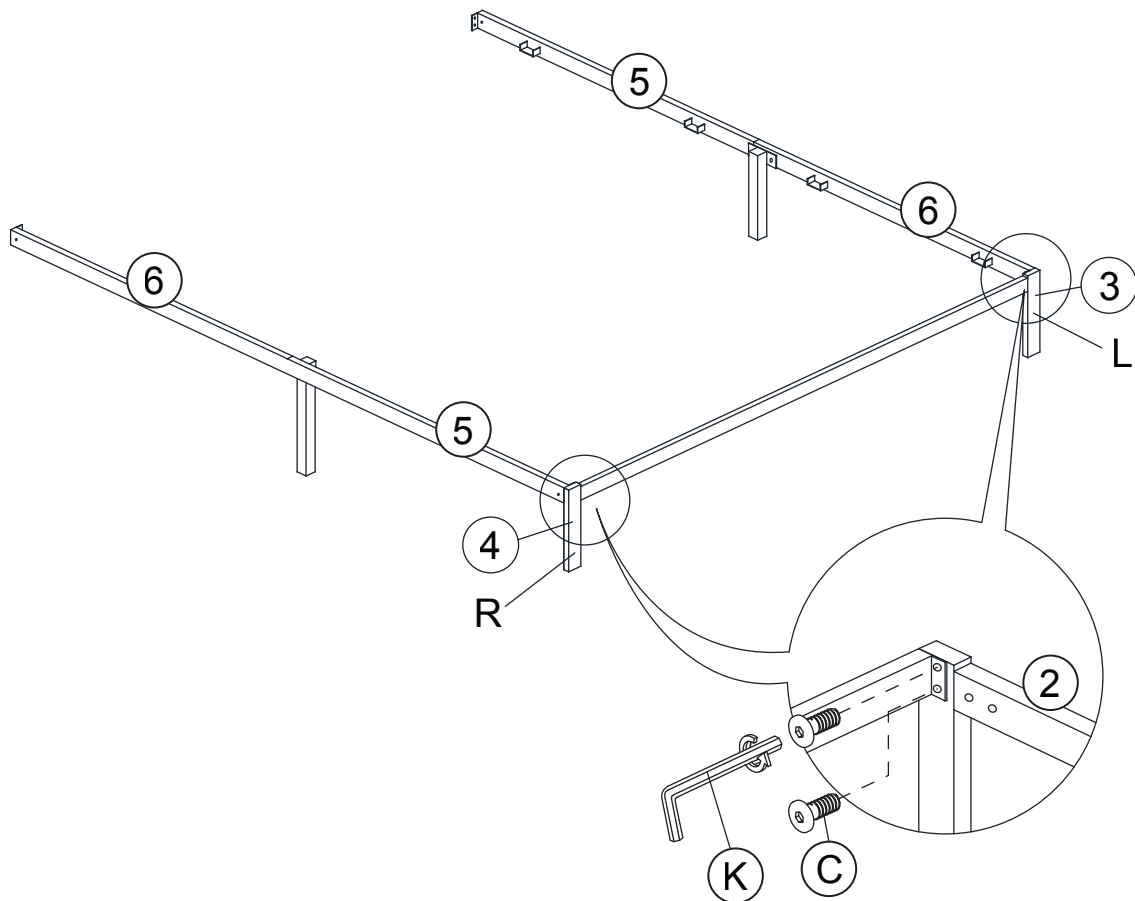


ASSEMBLY INSTRUCTION

STEP 5

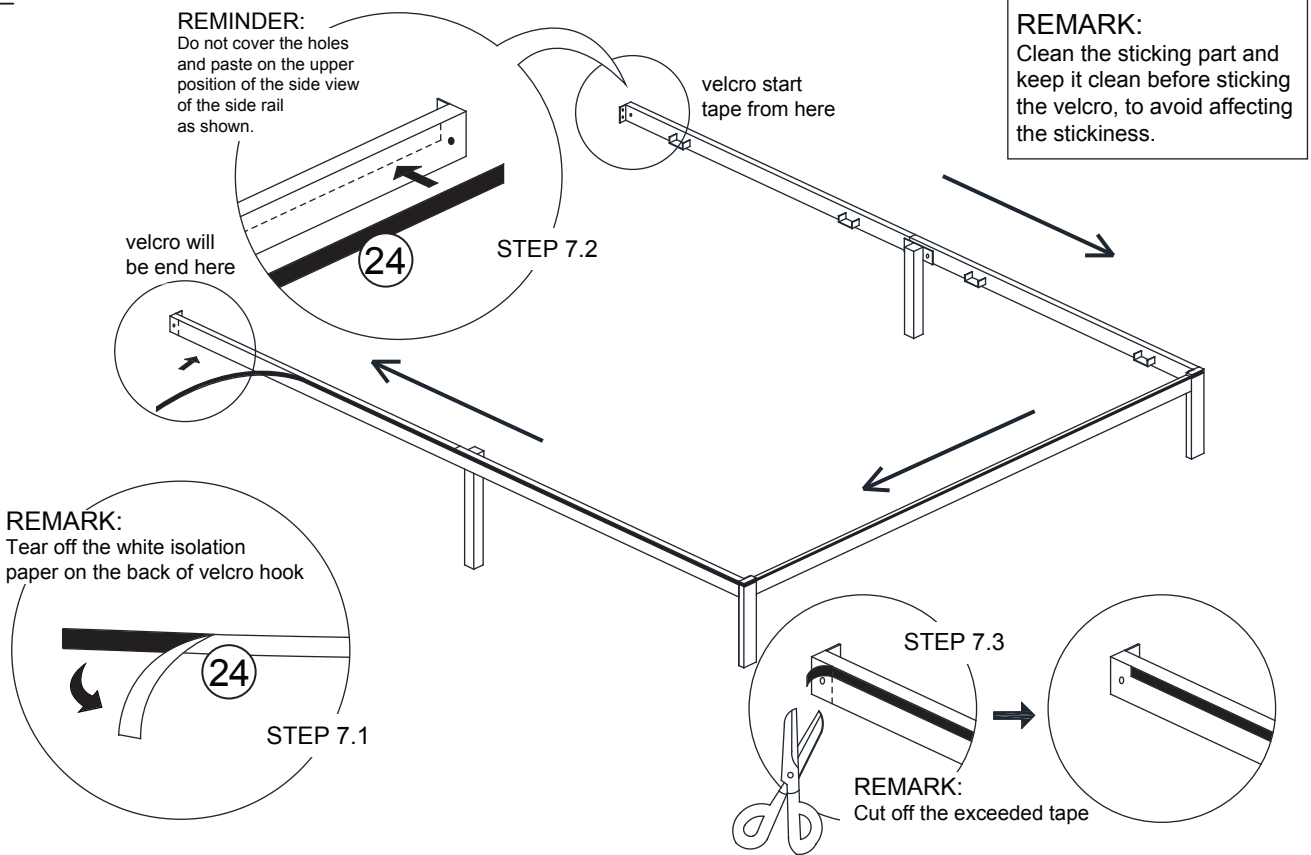


STEP 6

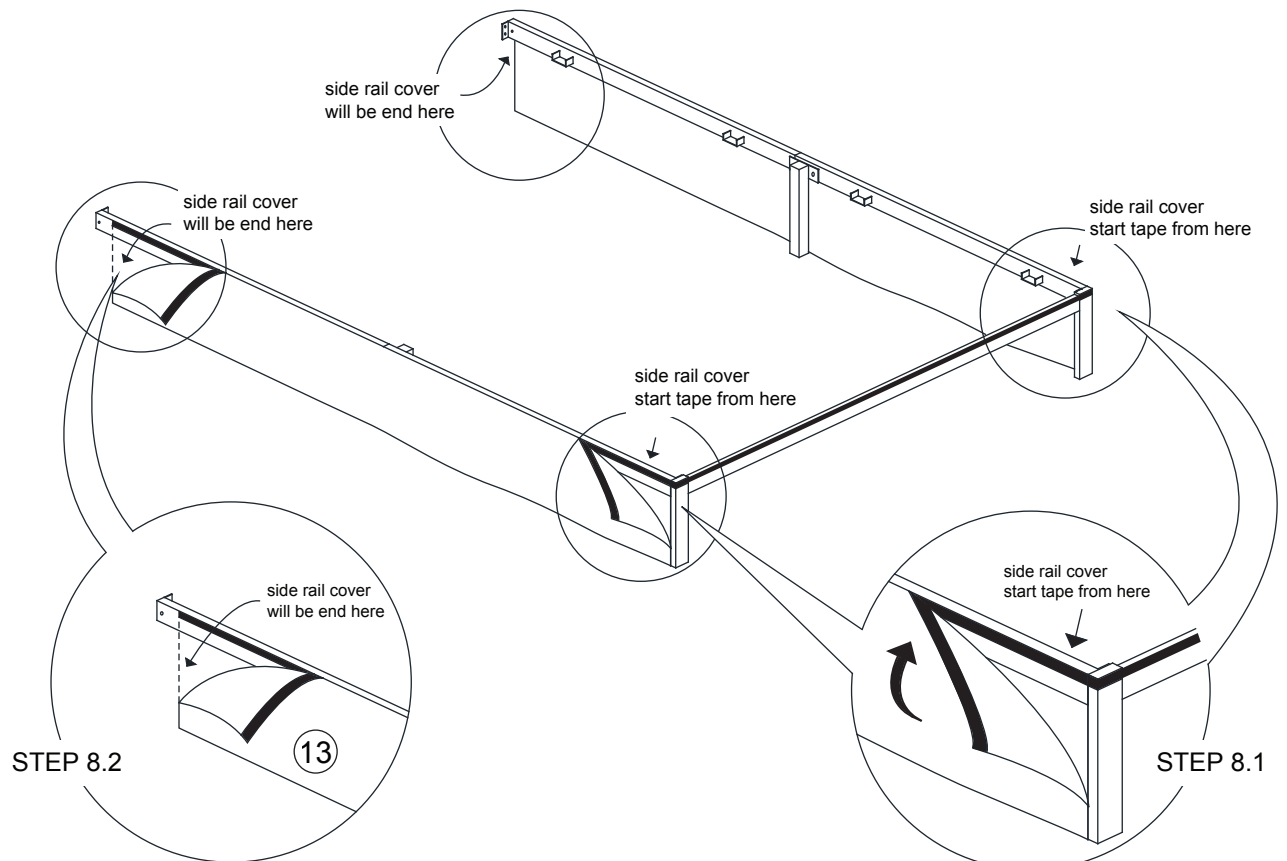


ASSEMBLY INSTRUCTION

STEP 7

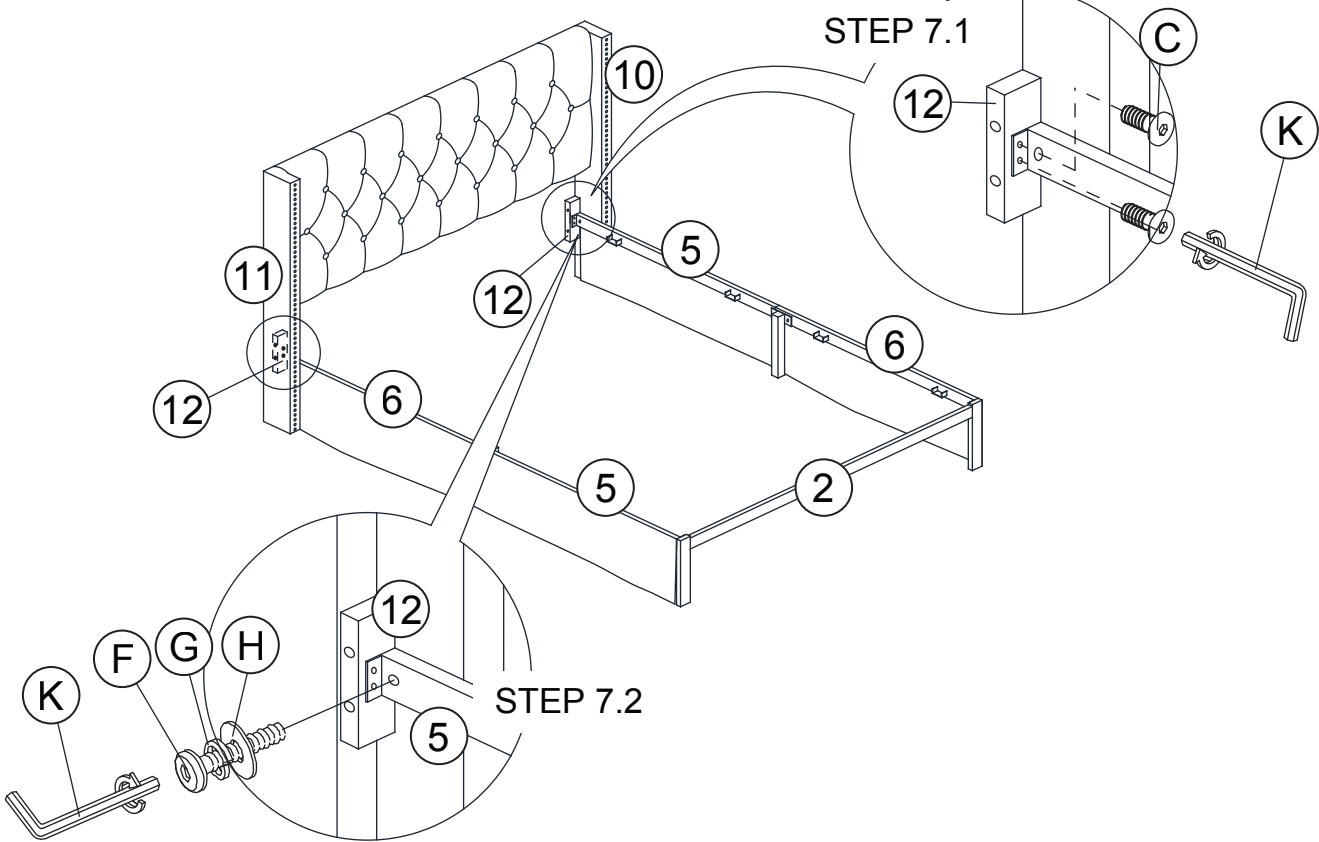


STEP 8

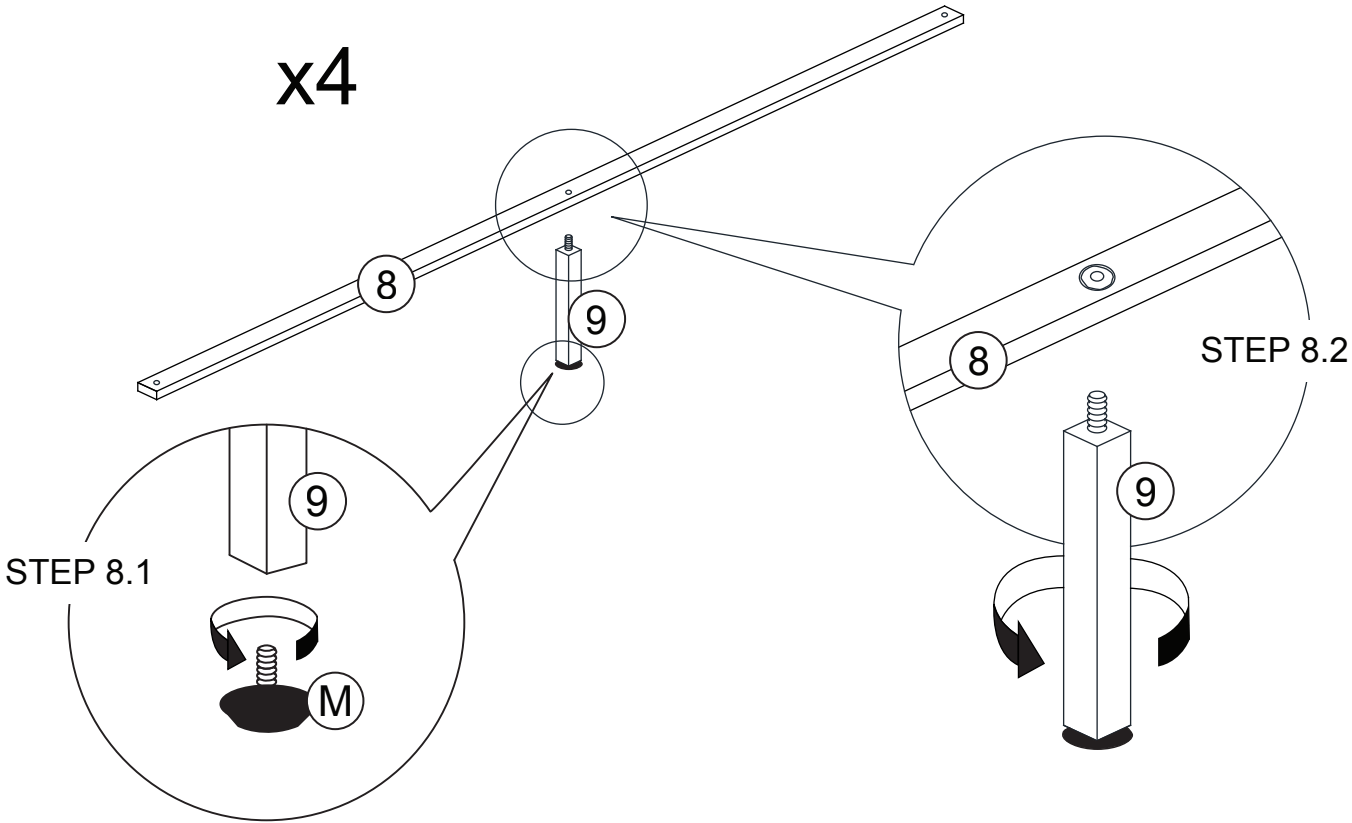


ASSEMBLY INSTRUCTION

STEP 9

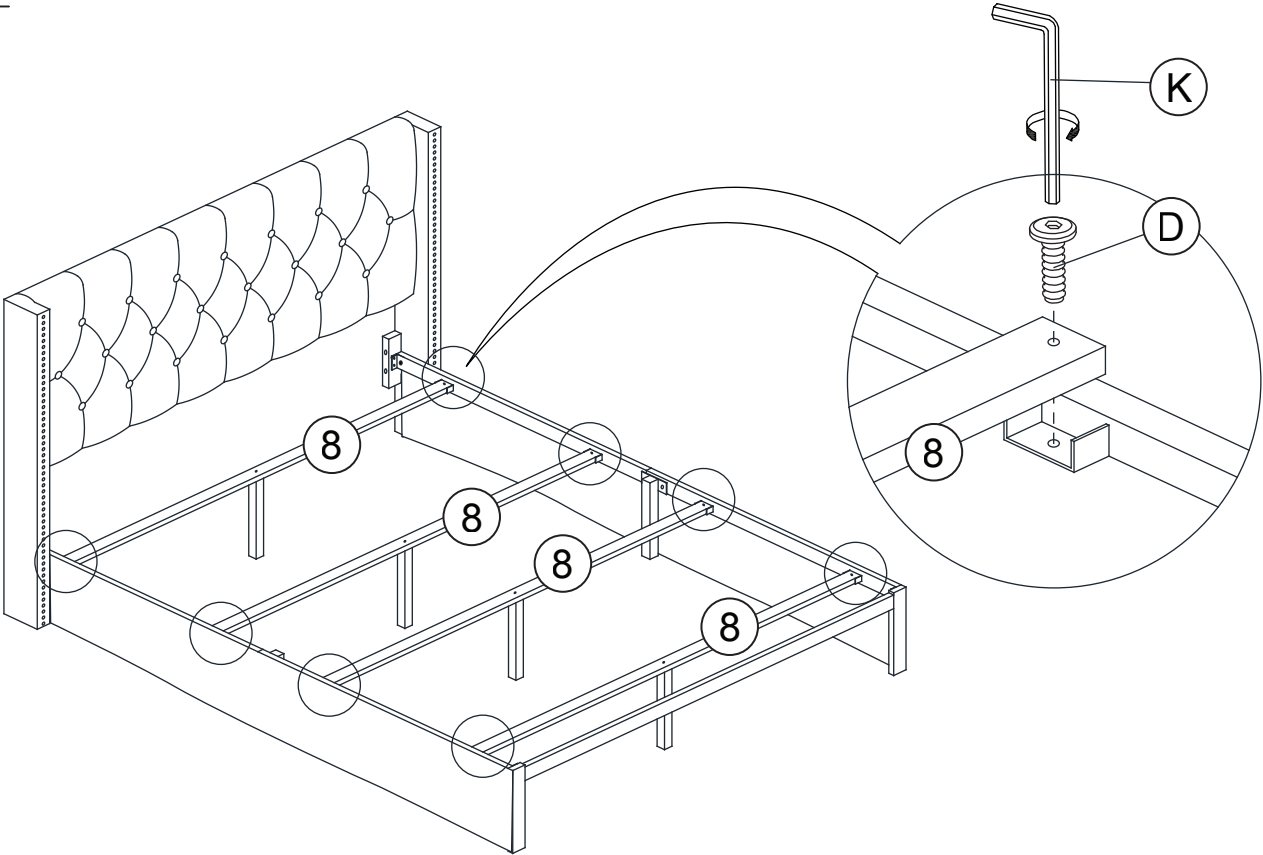


STEP 10

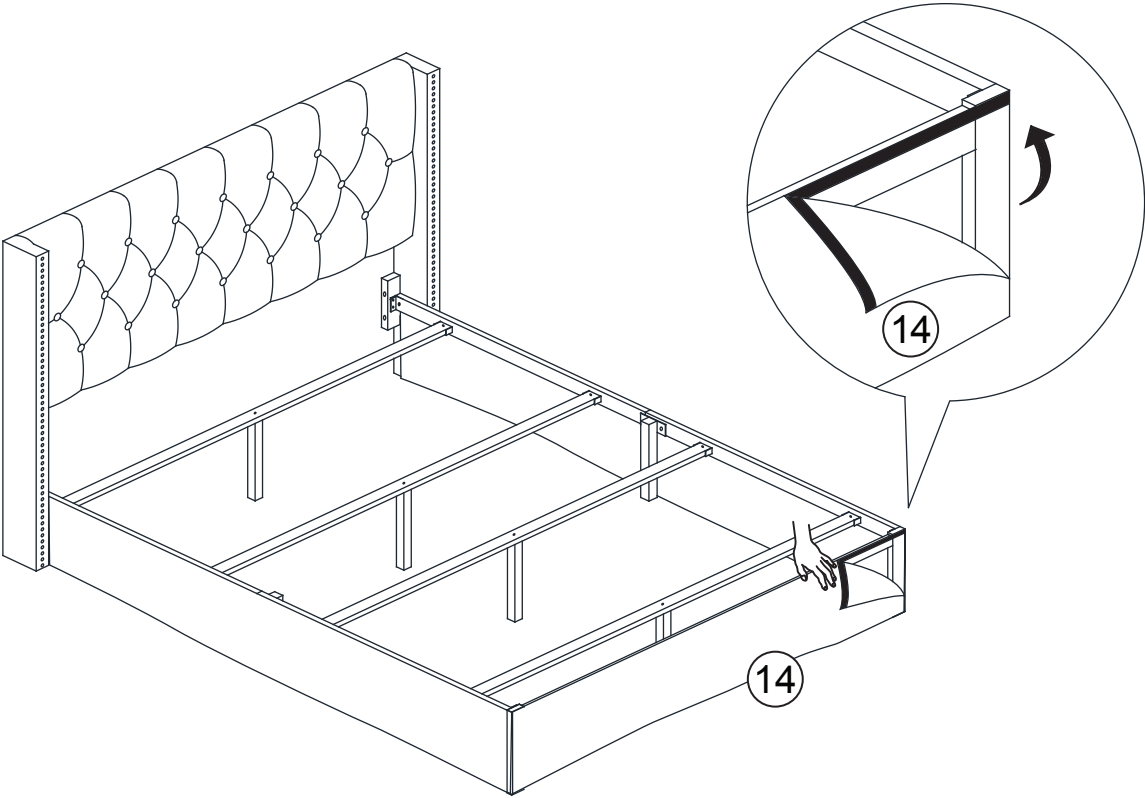


ASSEMBLY INSTRUCTION

STEP 11

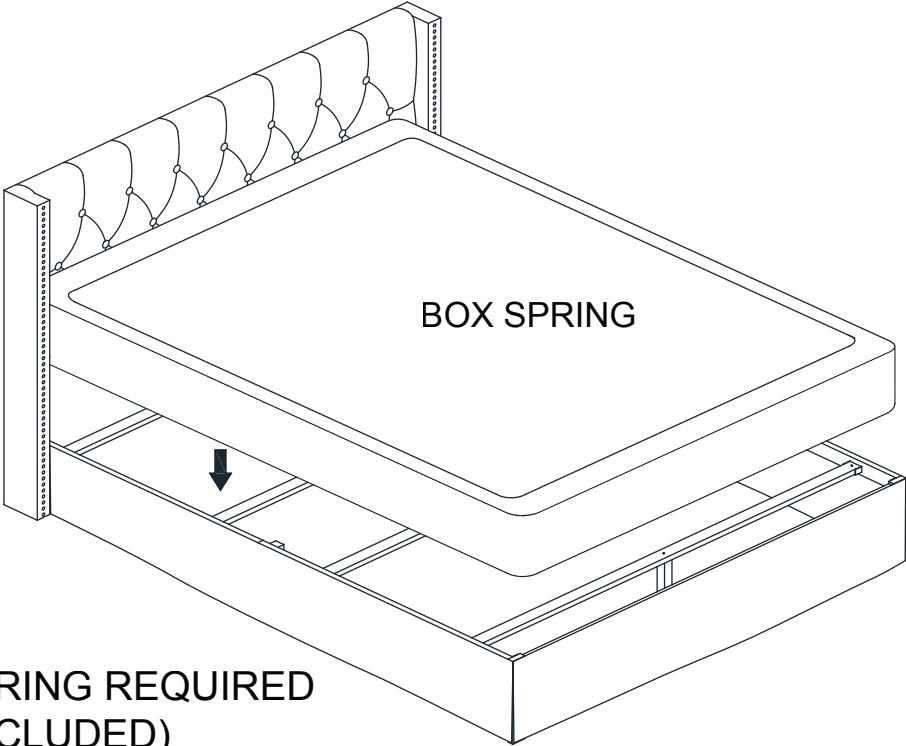


STEP 12



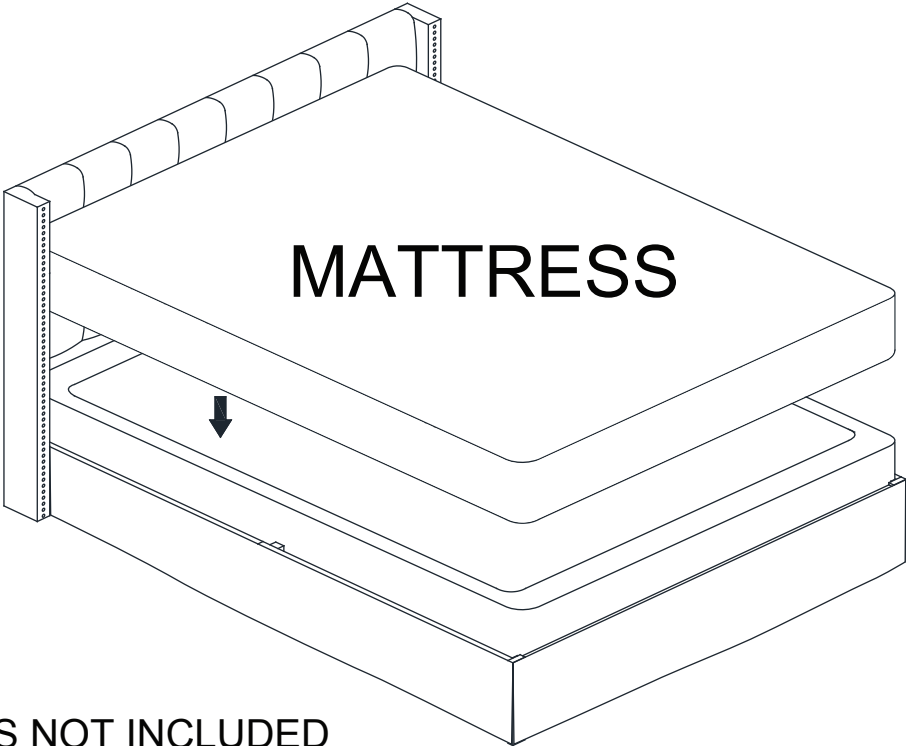
ASSEMBLY INSTRUCTION

STEP 13



BOX SPRING REQUIRED
(NOT INCLUDED)

STEP 14



MATTRESS NOT INCLUDED

ASSEMBLY COMPLETED