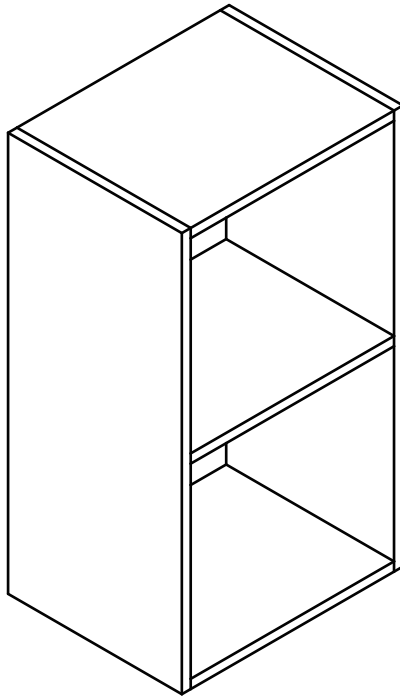


# Instruction Manual

## 2 TIER BOOKSHELF



# CONTENTS

---

Safety and care advice	<b>1</b>
Components – panels	<b>2</b>
Components – fittings	<b>3</b>
Assembly instructions	<b>4</b>
Copyright	<b>8</b>

---

# ⚠ SAFETY AND CARE ADVICE ⚠

---

PLEASE READ THESE INSTRUCTIONS CAREFULLY AND KEEP FOR FUTURE REFERENCE

**Warning:** Please lift with care.

- Check you have all the components and tools listed on pages 2 and 3.
- Remove all fittings from the plastic bags and separate them into their groups.
- Keep children and animals away from the work area, small parts could choke if swallowed.
- Make sure you have enough space to layout the parts before starting.
- Do not stand or put weight on the product, this could cause damage.
- Assemble the item as close to its final position (in the same room) as possible.
- Assemble on a soft level surface to avoid damaging the unit or your floor (use opened out unit carton).



- We do not recommend the use of power drill/drivers **for inserting screws**, as this could damage the unit. Only use hand screwdrivers.
- Safety note:** If there is any chance of this unit being pulled over by children etc. it is recommended that the unit is secured to a wall using suitable fixings (not supplied).
- Dispose of all packaging carefully and responsibly.

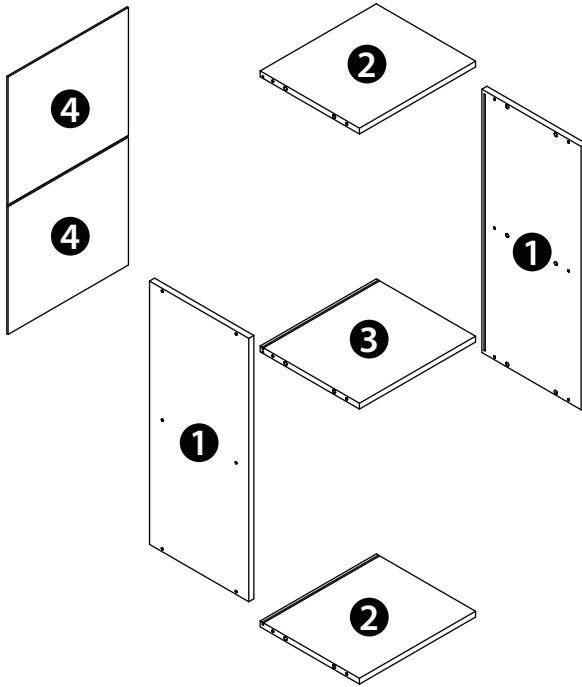
## CARE AND MAINTENANCE

---

- Only clean using a damp cloth and mild detergent, do no use bleach or abrasive cleaners.
  - From time to time check that there are no loose screws on this unit.
  - This product should not be discarded with household waste. Take to your local authority waste disposal center.
- Note:** *If required the next page can be cut out and used as reference throughout the assembly. Keep this page with these instructions for future reference*

# COMPONENTS — PANELS

Please check you have all the panels listed below:



## PANEL LIST

1	Left Side Panel/Right Side Panel	x2	3	Shelf Panel	x1
2	Top Panel/Bottom Panel	x2	4	Back Panel	x2



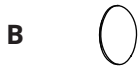
# COMPONENTS — FITTINGS

---

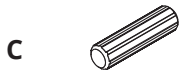
Please check you have all the fittings listed below:



Screw x 12



Hole cover x 12



Wooden Dowel x 12



Safety Device x 1



Screw x 1



Screw x 2

**TOOLS NEEDED**  
(We don't provide)

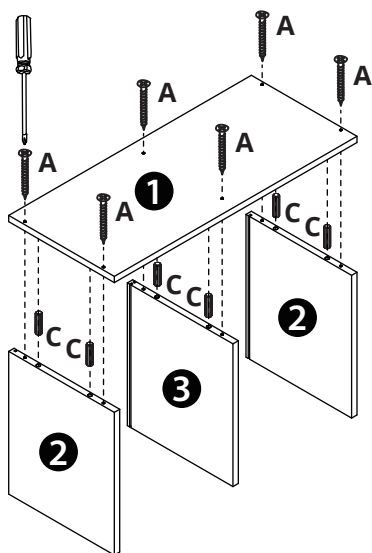




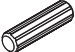
Phillips Screwdriver x 1



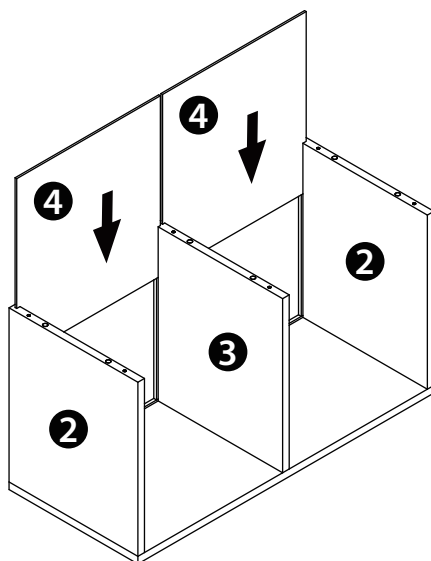
# ASSEMBLY INSTRUCTIONS

Step 1



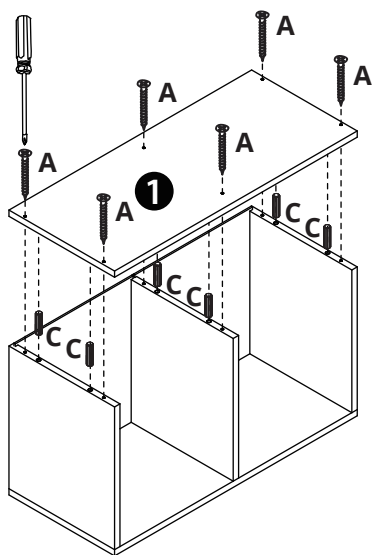
A		6	
C		6	



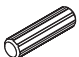
Step 2



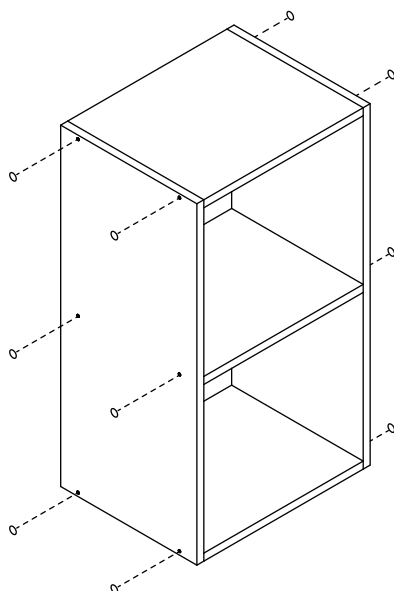
# ASSEMBLY INSTRUCTIONS


## Step 3



A		6	
C		6	

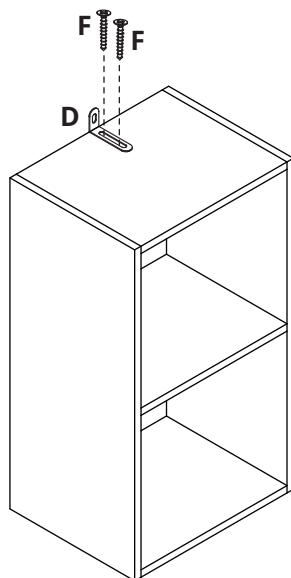
## Step 4






B		12	
---	---	----	--

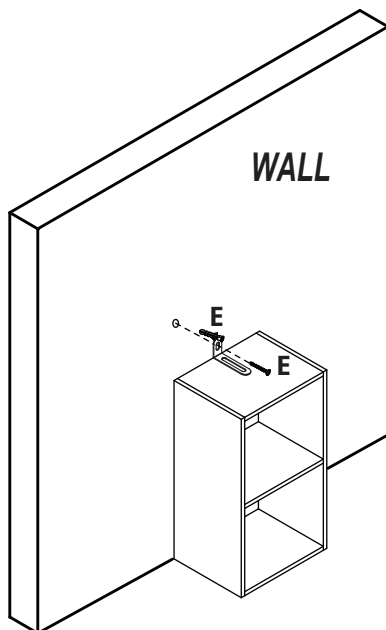
# ASSEMBLY INSTRUCTIONS



## Step 5



F		2	
D		1	

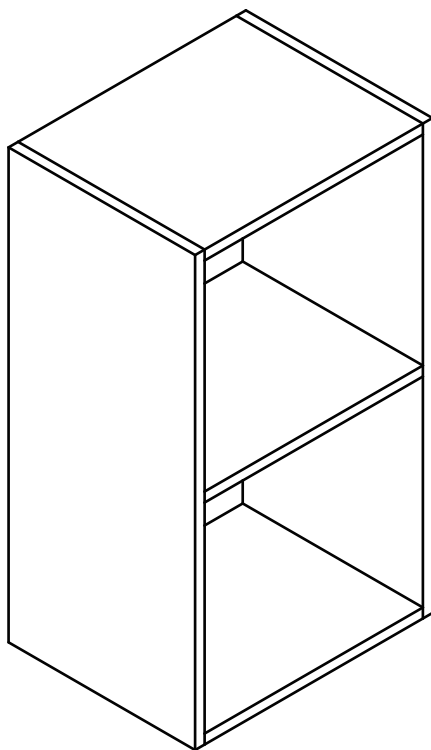
## Step 6



E		1	
---	---	---	---

# ASSEMBLY INSTRUCTIONS

---



Congratulations! Now you have finished assembling the product.