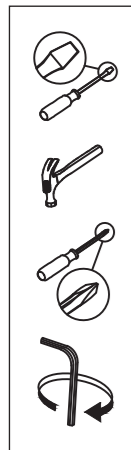


# Contact Us!

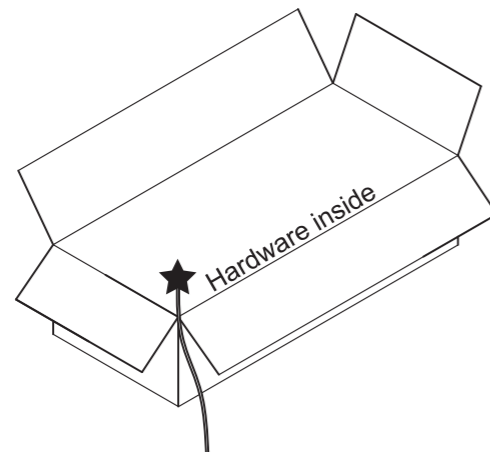
**Do NOT return this item.**

Contact our friendly customer service department for help first.

## Before You Start

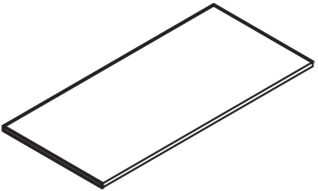
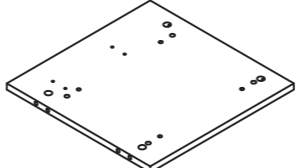
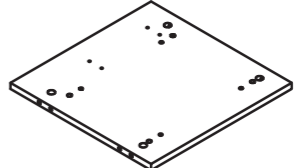
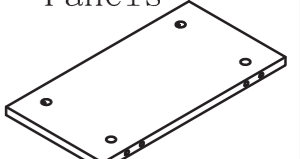
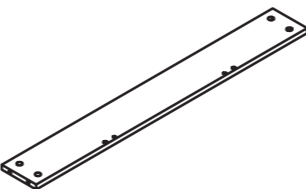
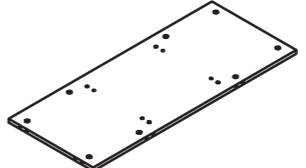
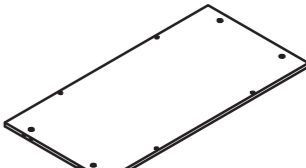
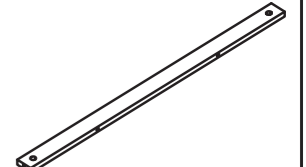
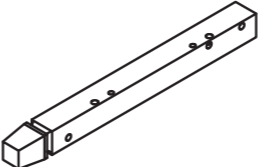
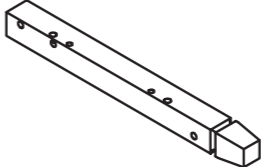
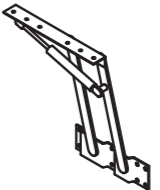
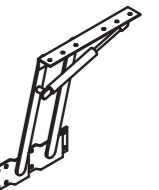
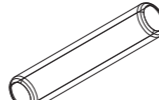
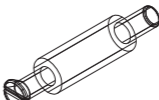
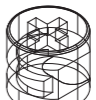



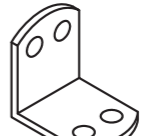


- Read each step carefully before starting. It is very important to ensure each step followed in correct order, otherwise assembly difficulties may occur.
- Most of board parts are labeled or stamped on the raw edges. Have a check to make sure all parts are included.
- Work in a spacious area, preferably on a carpet close to where the unit will be used.
- Keep the handtools close at hand. Do not use power tools to assemble your furniture. They may scratch or damage the parts.

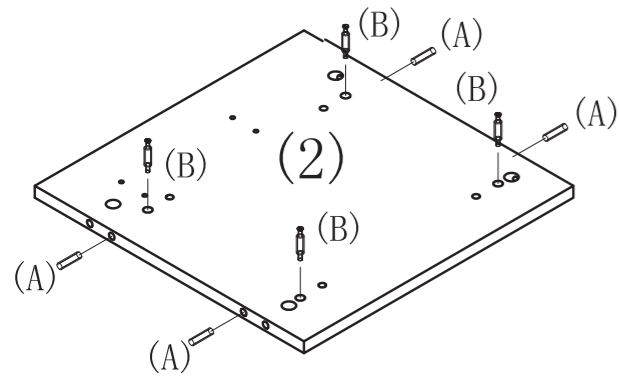


## Board Identification

Not actual size

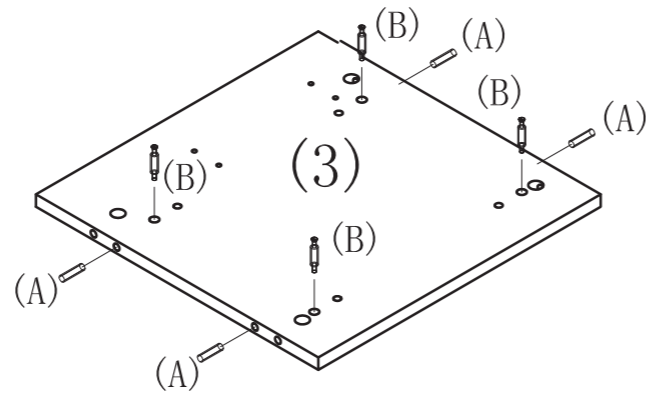
(1) Top Panel  1044*492*18=1PC	(2) End Panels  392*392*15=1PC	(3) End Panels  392*392*15=1PC	(4) Between Panels  207*415*15=2PCS
(5) Brace Panels  944*120*15=2PCS	(6) Solid Panel  944*417*15=1PC	(7) Solid Panel  944*466*15=1PC	(8) Solid Panels  944*50*18=2PCS
(9) Legs  460*40*40=2PCS	(10) Legs  460*40*40=2PCS	(11) Levelers  1PC	(12) Levelers  1PC
(A) Dowel  Dimension: $\phi 8*40$ 32PCS	(B) Cam Pin  Dimension: $\phi 6.5*42$ 40PCS	(C) Cam Lock  Dimension: $\phi 15*12$ 40PCS+1	(P) Adhesive Cam Cover  Dimension: $\phi 21*0.5$ 40PCS
(M1) Adhesive cushion for doors  Dimension: $\phi 10$ 6PCS	(E4) Wood Screw  Dimension: $\phi 3.5*14$ 44PCS+2	(S1) Corner Bracket  Dimension: 25*25*20 4PCS	

### STEP 1



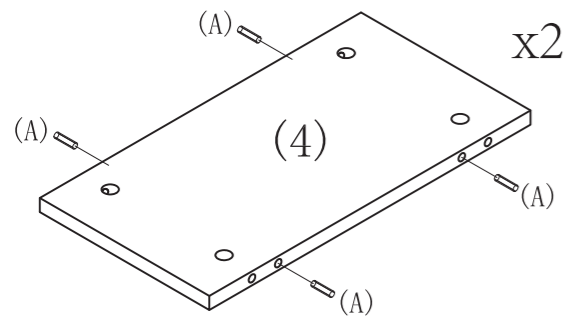
Install 4 pcs dowels (A) and 4 pcs cam pins (B) to End panel (2)  
Part A x 4      Part B x 4      Part 2 x 1

### STEP 2



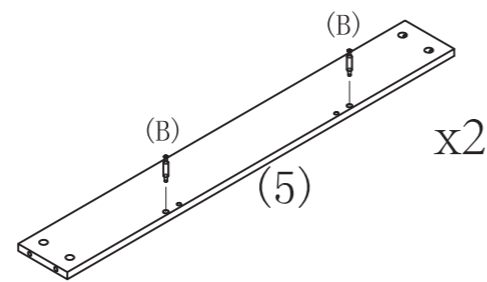
Install 4 pcs dowels (A) and 4 pcs cam pins (B) to End panel (3)  
Part A x 4      Part B x 4      Part 3 x 1

### STEP 3



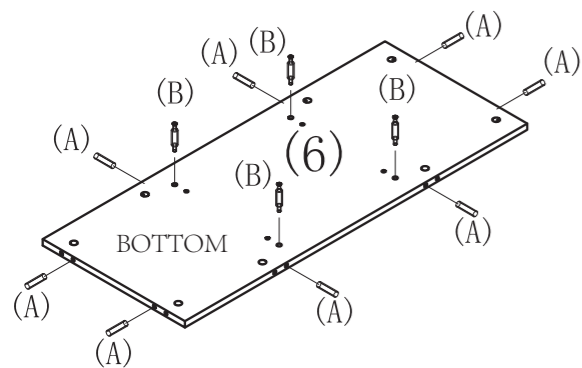
Install 8 pcs dowels (A) to Between panel (4)  
Part A x 8      Part 4 x 2

### STEP 4



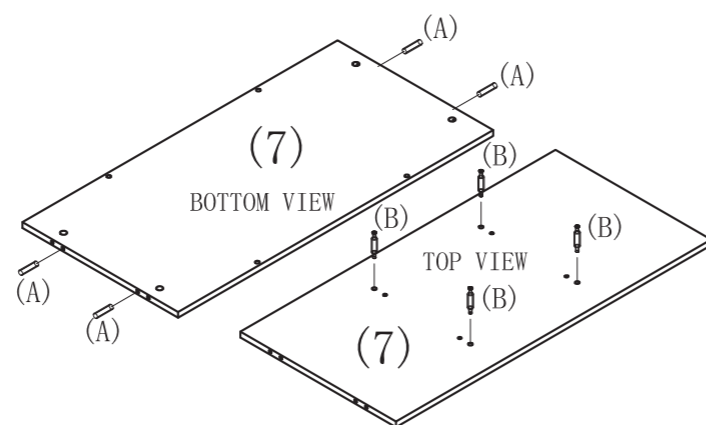
Install 4 pcs cam pins (B) to 2 Brace panels (5)  
Part B x 4      Part 5 x 2

### STEP 5



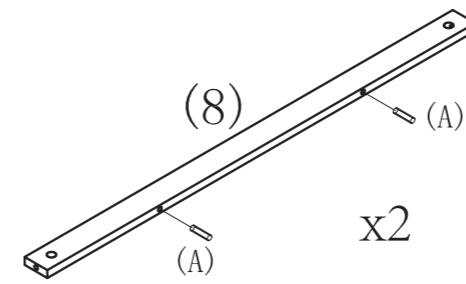
Install 8 pcs dowels (A) and 4 pcs cam pins (B) to Middle panel (6)  
Part A x 8      Part B x 4      Part 6 x 1

### STEP 6



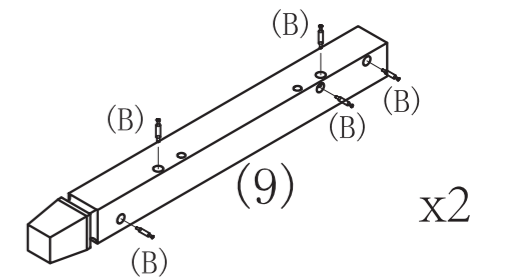
Install 4 pcs dowels (A) and 4 pcs cam pins (B) to Bottom panel (7)  
Part A x 4      Part B x 4      Part 7 x 1

### STEP 7



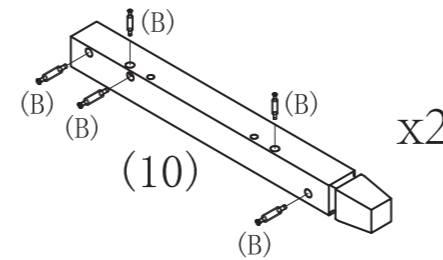
Install 4 pcs dowels (A) to 2 Solid Panels (8)  
Part A x 4      Part 8 x 2

### STEP 8



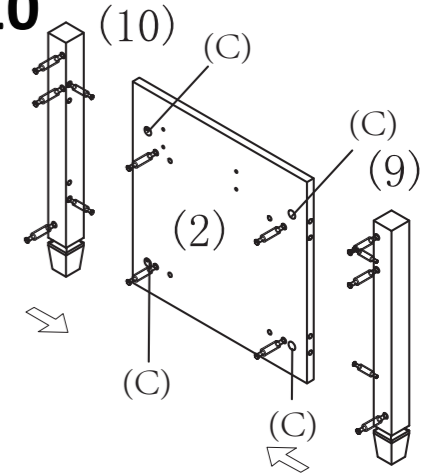
Install 10 pcs cam pins (B) to 2 Legs (9)  
Part B x 10      Part 9 x 2

### STEP 9



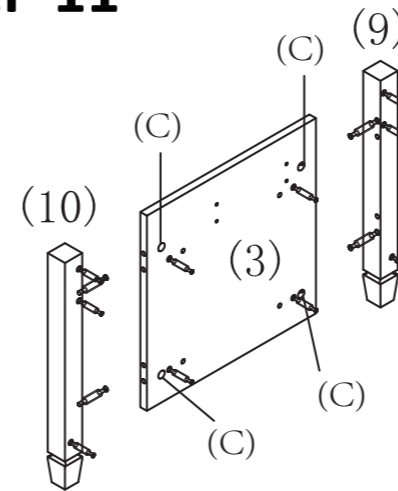
Install 8 pcs cam pins (B) to 2 Legs (10)  
Part B x 10      Part 10 x 2

### STEP 10



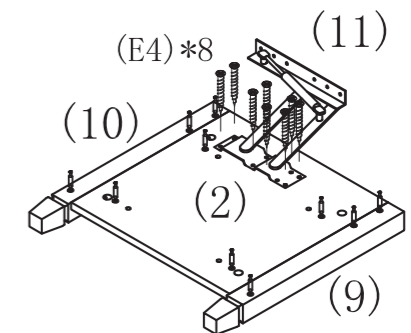
Install one Front Leg (9) and one Rear Leg (10) to End panel (2) and lock with 4 pcs Cam locks (C)  
Part C x 4

### STEP 11



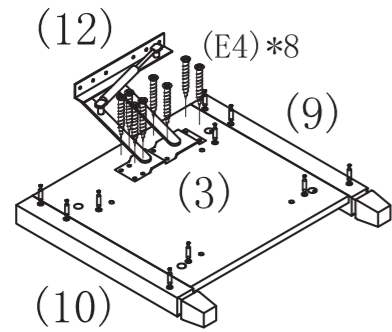
Install one Front Leg (9) and one Rear Leg (10) to End panel (3) and lock with 4 pcs Cam locks (C)  
Part C x 4

### STEP 12



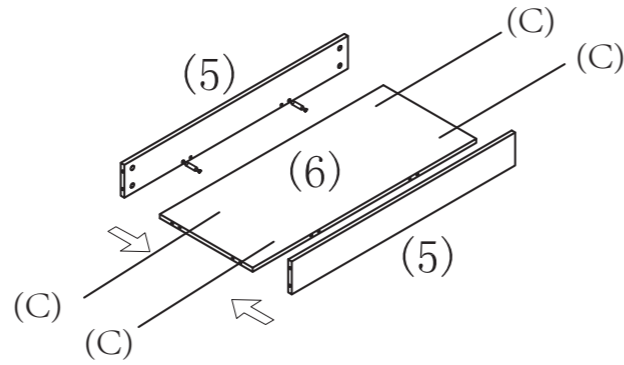
Install lever (11) to End panel (2) with 8 pcs Screws (E4)  
Part E4 x 8  
Part 11 x 1

### STEP 13



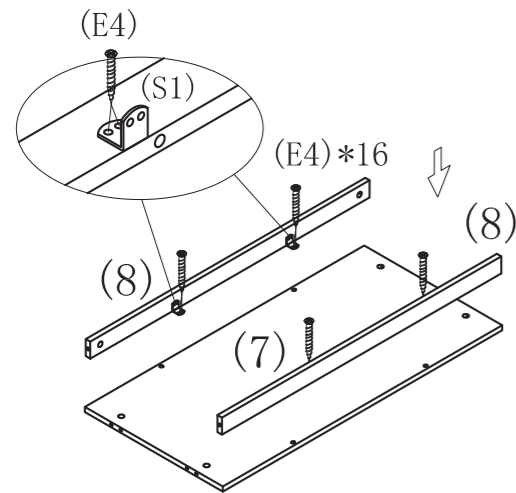
Install lever (12) to End panel (3) with 8 pcs Screws (E4)  
Part E4 x 8 Part 1 2 x 1

### STEP 14



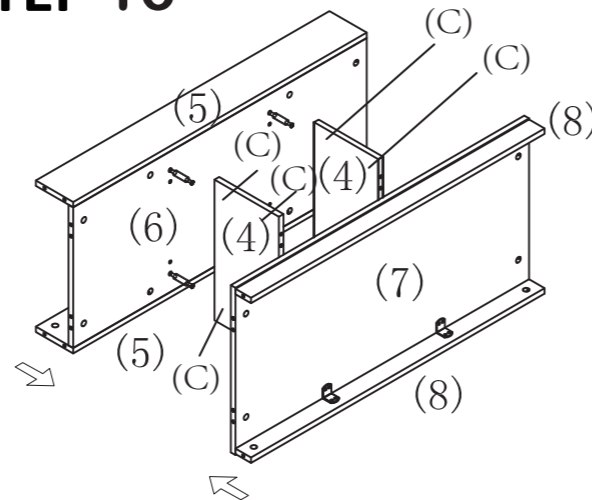
Attach 2 Brace panels (5) to Middle panel (6) and lock with  
4 pcs Cam locks (C)  
Part C x 4

### STEP 15



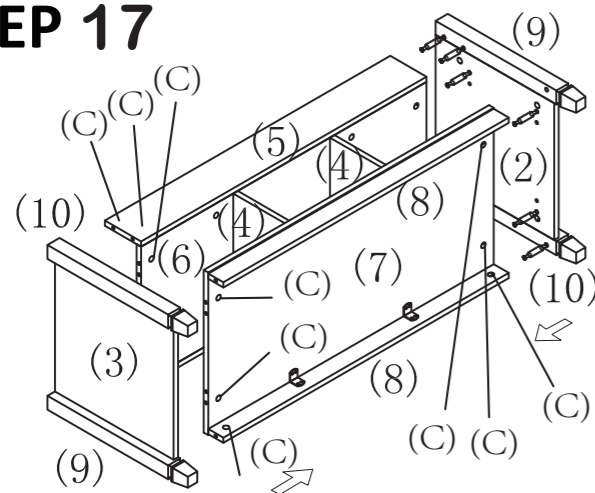
Install 2 Support panels (8) to Bottom panel (7) with 16 pcs Screws (E4)  
and reinforce with 4 sets of Corner brackets (S1) (S1 has equipped  
with self-tapping screws with no drilling holes)  
Part E4 x 16 Part S1 x 4

### STEP 16



Install 2 Between panels (4) to the middle of Solid panel (6)  
and Solid panel (7), then lock with 8 pcs Cam locks (C)  
Part C x 8

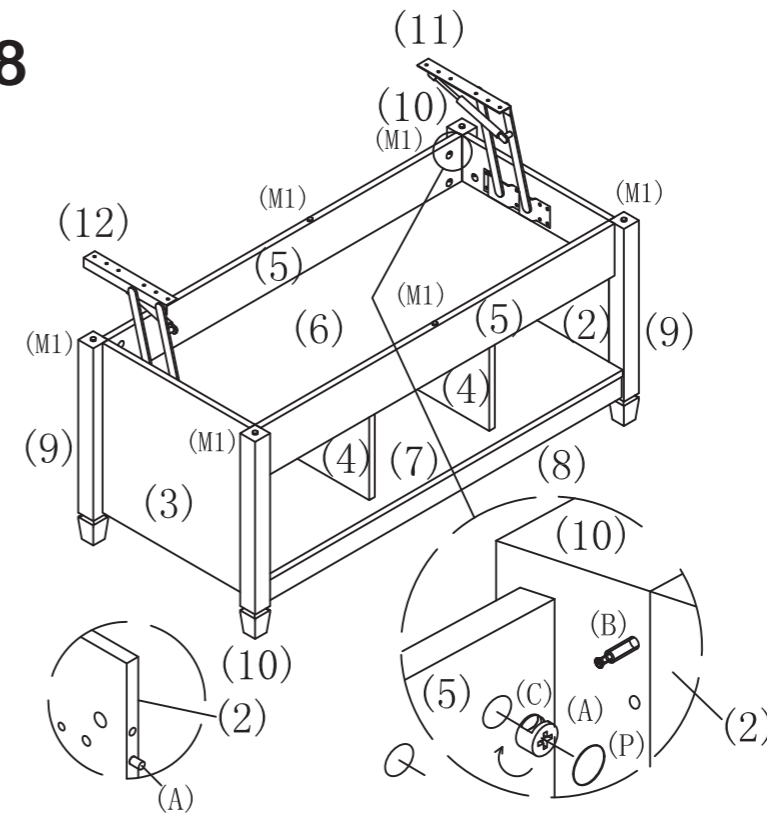
### STEP 17



Integrate End panel (2), (3) and the table legs with the main body,  
then secure with 20 pcs Cam locks (C)

Part C x 20

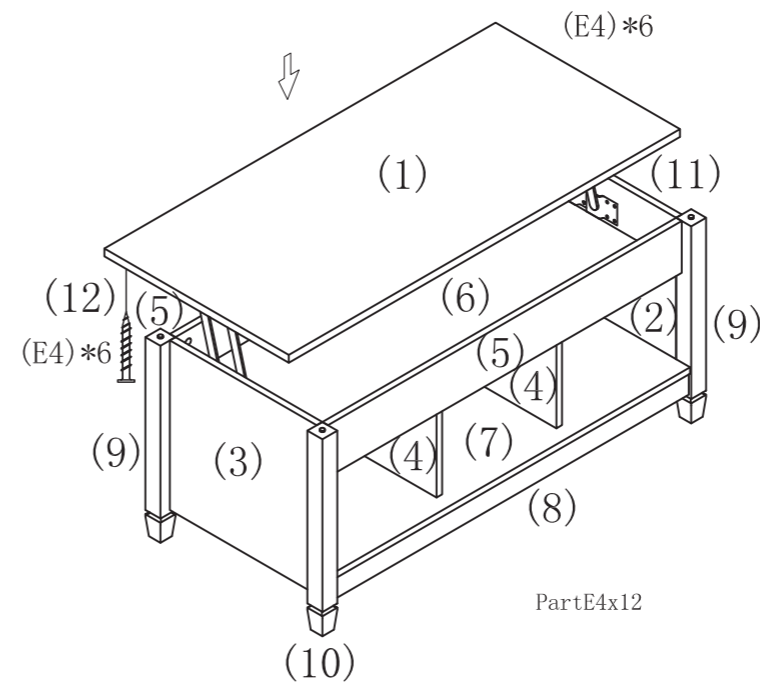
### STEP 18



Stick 40 pcs Cam covers (P) on  
Cam locks (C) and stick 6 pcs  
(M1) to the corresponding places  
shown in the figure.

Part M1 x 6  
Part P x 40

### STEP 19



Install the Top panel (1) to the lifters (11), (12) with 12 pcs  
Screws (E4)  
Part 1 x 1 Part E4 x 12

### TIPS

Installation of  
cam pin and  
cam lock

