

ASSEMBLY INSTRUCTION

ASSEMBLY TIPS:

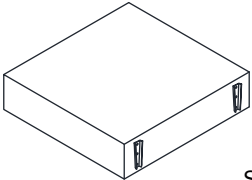
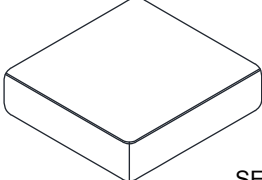
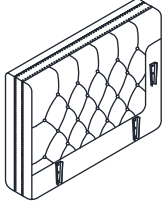
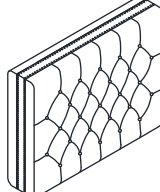

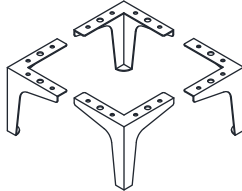
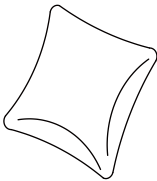
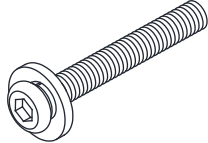

- 1.Remove hardware from box and sort by size.
- 2.Please check to see that all hardware and parts are present prior to start of assembly.
- 3.Please follow attached instruction in the same sequence as numbered to assure fast & easy assembly.



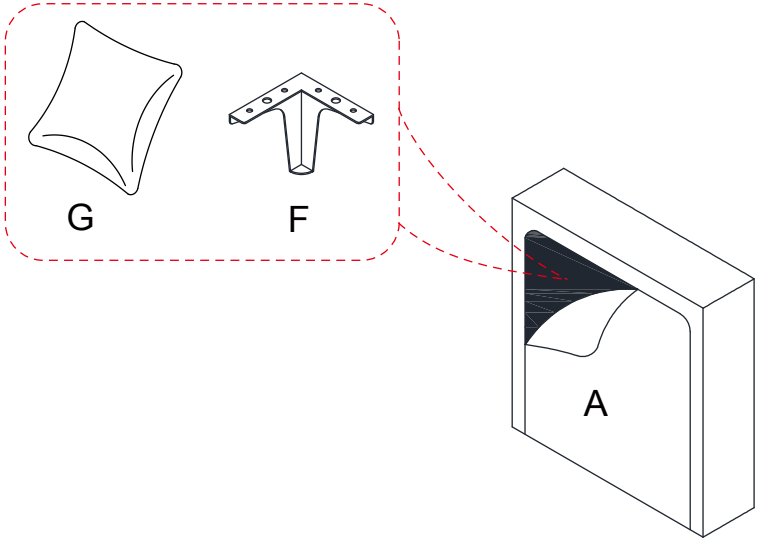
Warning!

- 1.Don't attempt to repair or modify parts that are broken or defective. Please contact the customer service immediately.
- 2.This product is for home use only and not intended for commercial establishment.

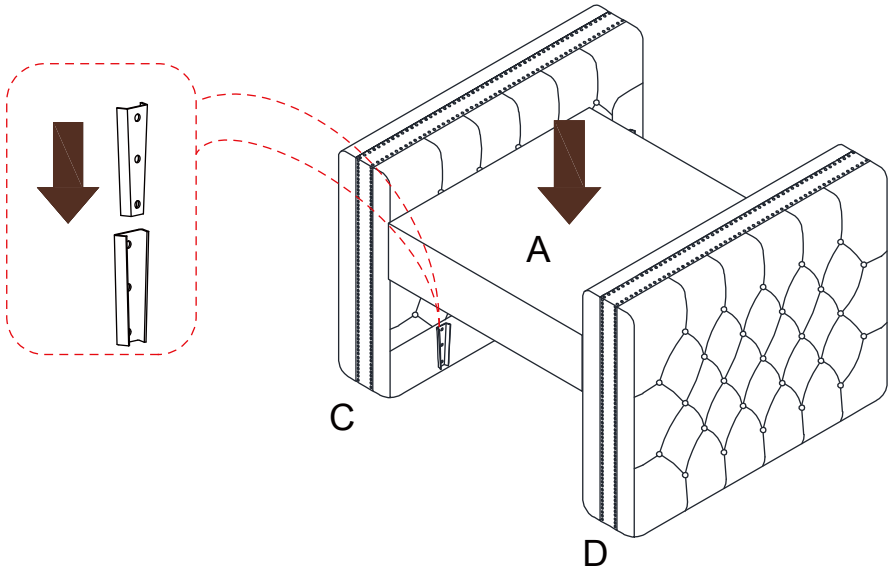
PARTS IDENTIFICATION

A	 SEAT FRAME	1pc		 SEAT CUSHION	1pc
C	 LIFT ARM	1pc	D	 RIGHT ARM	1pc
E	 BACK FRAME	1pc	F	 LEG	4pcs
G	 PILLOW	1pc	H	 BOLT	8pcs
I	 ALLEN KEY	1pc			

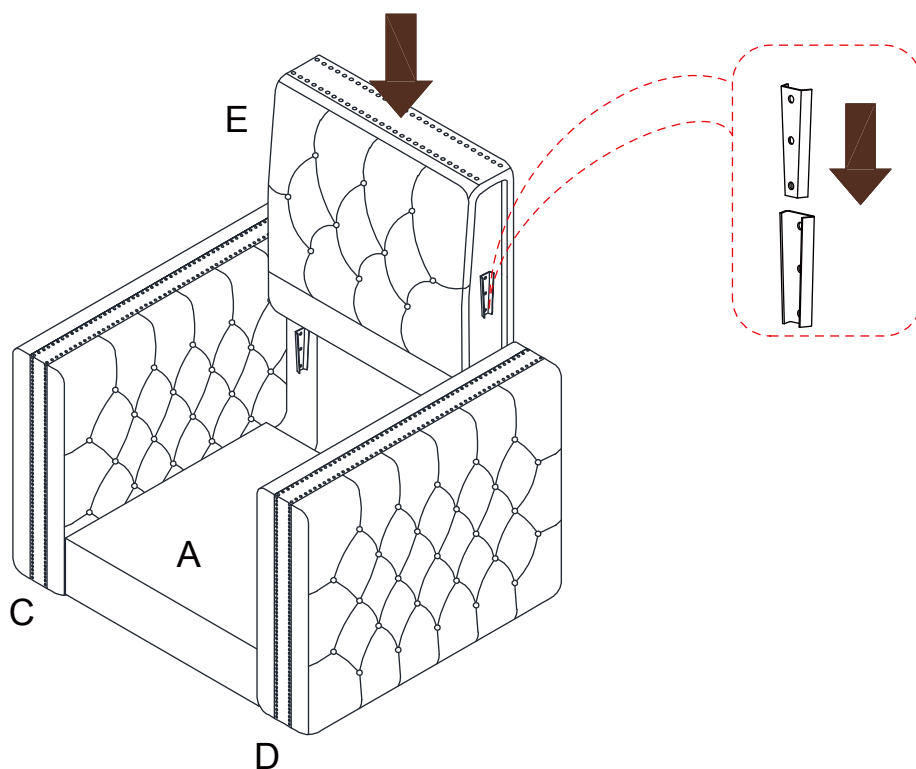
STEP1:



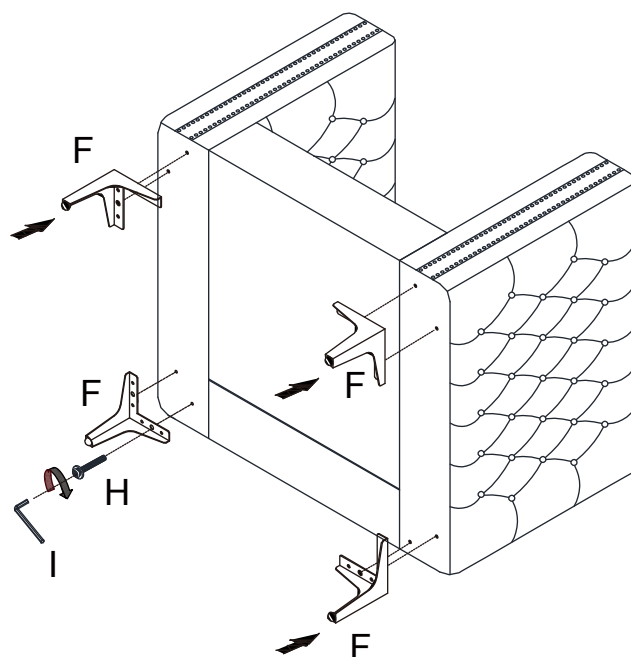
STEP2:



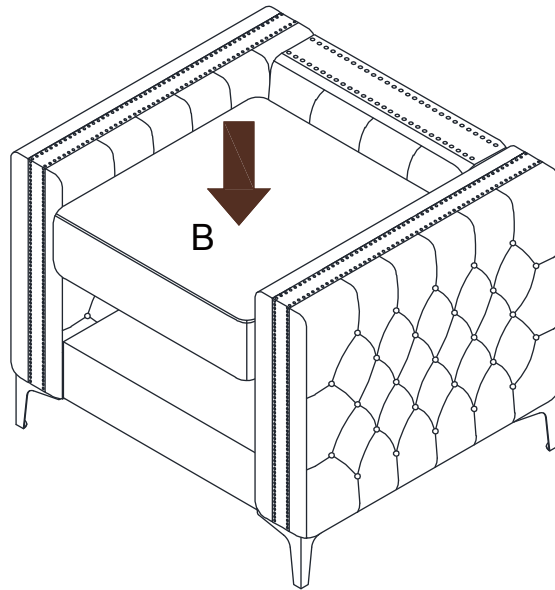
STEP3:



STEP4:



STEP5:



STEP6:

