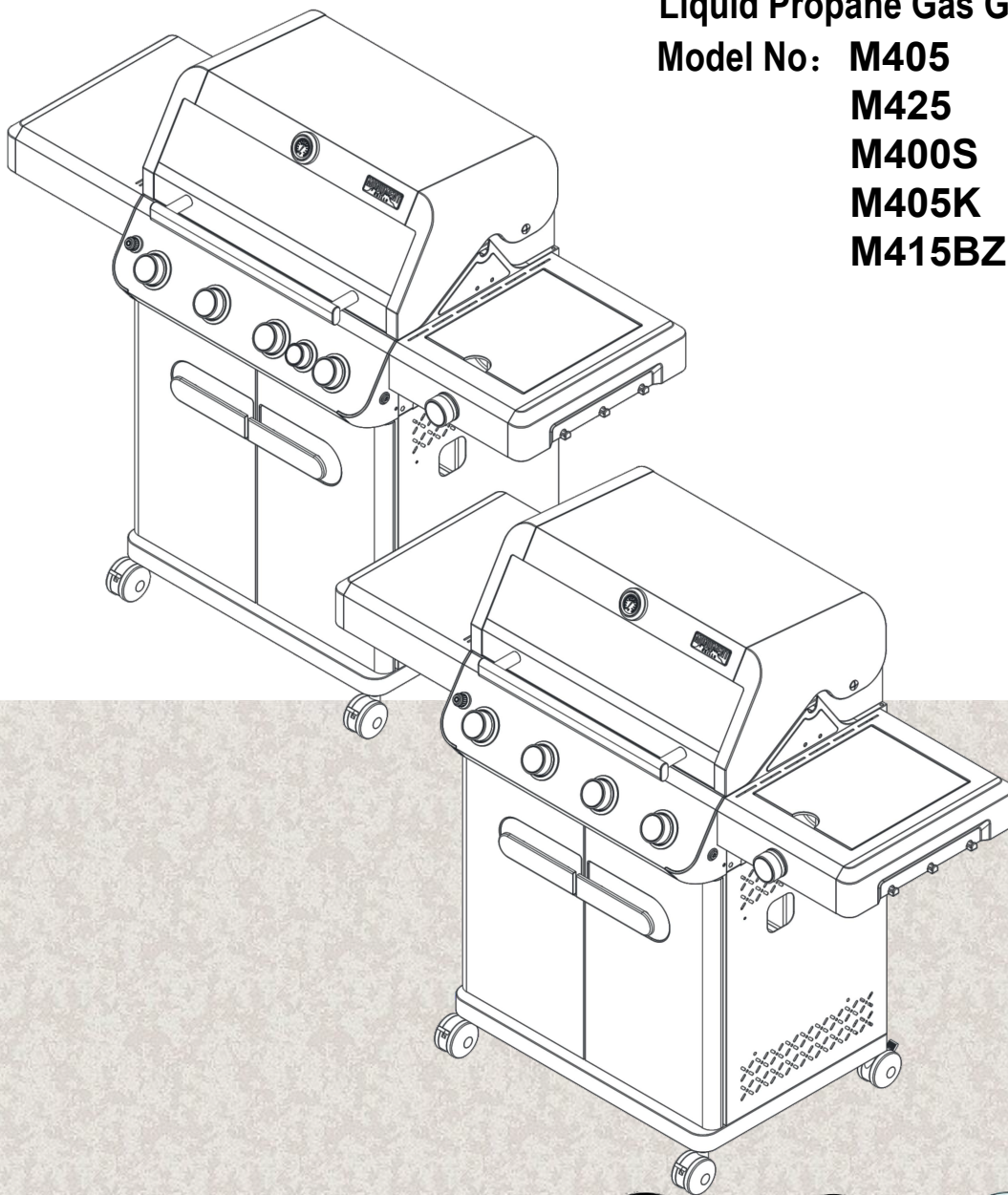


ASSEMBLY & OPERATING INSTRUCTIONS



Mesa series



Liquid Propane Gas Grill

Model No: **M405**

M425

M400S

M405K

M415BZ

Note to Installer

Leave this Owner's Manual with the customer after delivery and installation.

Note to Consumer

Leave this Owner's Manual in a convenient place for future reference.



C1110800072A-A2

Welcome to Monumentgrills

Read this Owner's manual carefully and be sure your gas grill is properly assembled, installed and maintained. Failure to follow these instructions could result in serious injury or property damage.

Important Safety Information

DANGER, **WARNING**, and **CAUTION** statements are used throughout this Owner's Manual to emphasize critical and important information. Read and follow these statements to help ensure safety and prevent property damage. The statements are defined below.

⚠ **DANGER:** Indicates a hazardous situation which, if not avoided, will result in death or serious injury.

⚠ **WARNING:** Indicates a hazardous situation which, if not avoided, could result in death or serious injury.

⚠ **CAUTION:** Indicates a hazardous situation which, if not avoided, could result in minor or moderate injury.

⚠ **DANGER**

If you smell gas:

- **Shut off gas to the appliance.**
- **Extinguish any open flame.**
- **Open lid.**
- **If odor continues, keep away from the appliance and immediately call your gas supplier or your fire department.**

⚠ **WARNING**

- **Do not store or use gasoline or other flammable liquids or vapors in the vicinity of this or any other appliance.**
- **An LP cylinder not connected for use shall not be stored in the vicinity of this or any other appliance.**

- Combustion by products produced when using this product contain chemicals known to the State of California to cause cancer, birth defects, or other reproductive harm.

⚠ **WARNING**

- Do not install this outdoor gas grill in or on recreational vehicles or boats.
- The location of the burner tube with respect to the orifice is vital for safe operation. Check to ensure the orifice is inside the burner tube before using the gas grill. If the burner tube does not fit over the valve orifice, lighting the burner may cause explosion and/or fire.
- Do not obstruct the flow of combustion and ventilation air. Check for this each time prior to using grill.
- Keep outdoor gas grill area clear and free from combustible materials, gasoline and other flammable vapors and liquids.
- Never use your gas grill in a garage, porch, shed, breezeway or any other enclosed area. Your gas grill is to be used outdoors only, at least 24 inches from the back and side of any combustible surface. Your gas grill should not be used under overhead combustible constructio.
- Do not use this grill unless all parts are in place and the grill was properly assembled according to the assembly instructions.
- Do not build this model of grill in any built-in or slide-in construction.
- Your grill will get very hot. Never lean over the cooking area while using your grill. Do not touch cooking surfaces, grill housing, lid or any other grill parts while the grill is in operation, or until the gas grill has cooled down after use. Failure to comply with these instructions may result in serious bodily injury.
- Do not move the appliance (grill) during use.
- Never leave the grill unattended during pre-heating or use. Exercise caution when using this grill. The entire cookbox gets hot when in use.
- Accessible parts may be very hot. Keep young children away.

Grill Installation Codes

The installation must conform with local codes or, in the absence of local codes, with either the national fuel gas code, ANSI Z 223.1/NFPA S4, Natural gas and propane installation code, CSA B149.1, or propane storage and handling code, B149.2, or the standard for Recreational vehicles, ANSI A 119.2, and CSA Z240 RV series recreational vehicle code, as applicable.

Welcome to Monumentgrills

CONTACT US

Get In Touch! We'd love to hear from you - please use the form to send us your message or ideas.

✉ Email: Customerservice@monumentgrills.com

☎ Phone: 1-800-530-9133

Monument Grills LLC 5345 Fulton Industrial Blvd Suite A, Atlanta, GA, 30336 By Appointment Only

Opening Hours:
MON to FRI: 9:00AM - 6:00PM

Have a question or comment?
Please send us the below message and contact us by mail at Customerservice@monumentgrills.com :

Name

Phone Number

Email

Comment



ASSEMBLY VIDEO



MOUMENTGRILLS.COM



FACEBOOK

CONTENTS

<u>Welcome to Monumentgrills</u>	<u>2</u>
<u>Safety Precautions</u>	<u>4</u>
<u>Assembly</u>	<u>6</u>
<u>Getting Started</u>	<u>21</u>
<u>Operation</u>	<u>22</u>
<u>Cooking Instructions</u>	<u>24</u>
<u>Cleaning and Maintenance</u>	<u>26</u>
<u>Troubleshooting</u>	<u>27</u>

Safety Precautions

Grill Warranty

2-Year Full Warranty on Grill

- If this grill fails due to defective material or workmanship within one year from the date of purchase, contact us to arrange for free replacement parts.

8-Year Limited Warranty on Stainless Steel Burners

- For eight years from the date of purchase, any stainless steel burner that rusts through will be replaced free of charge. After the first year from the date of purchase.
- All warranty coverage excludes ignitor batteries and grill part paint loss, discoloration or rusting, which are either expendable parts that can wear out from normal use within the warranty period, or are conditions that can be the result of normal use, accident or improper maintenance.
- All warranty coverage is void if this grill is ever used for commercial or rental purposes.
- All warranty coverage applies only if this grill is used in the North America.
- This warranty gives you specific legal rights, and you may have other rights which vary from state to state.
- The warranty is only valid for original purchasers with proof of purchase from authorized retailers. Any product bought second hand or through an unauthorized retailer, will not be covered by warranty. It is the duty of the purchaser to verify that a retailer is authorized. A purchase on Amazon or other marketplace internet retailer from any entity other than Monument Grills is not an original purchase and will not qualify for a warranty.

Electrical Supply

- The gas grill appliance, when installed, must be electrically grounded in accordance with local codes or, in the absence of local codes, with the National Electrical Code, ANSI/NFPA 70, or the Canadian Electrical Code, Part I, CSA C22.1.
- To protect against electric shock, do not immerse cord or plugs in water or other liquid.
- Unplug from the outlet when not in use and before cleaning. Allow to cool before putting on or taking off parts.
- **Do not** operate any gas grill appliance with a damaged cord, plug, or after the appliance malfunctions or has been damaged in any manner. Contact the manufacturer for repair.
- **Do not** let the cord hang over the edge of a table or touch hot surfaces.
- **Do not** use a gas grill appliance for purposes other than intended.
- When connecting, first connect plug to the gas grill appliance then plug appliance into the outlet.
- **Never** remove the grounding plug or use with an adapter of 2 prongs.
- Use only extension cords with a 3 prong grounding plug, rated for the power of the equipment, and approved for outdoor use with a W-A marking.
- Use only a Ground Fault Interrupter (GFI) protected circuit with this gas grill appliance.

Safety Precautions

LP-Gas Supply

- Please make sure the cylinder valve connected device is properly and safely to the inlet of the pressure regulator.
- A tank of approximately 12 inches in diameter by 18-1/2 inches high is the maximum size LP gas tank to use. You must use an OPD gas tank which offers an Overfill Prevention Device. This safety feature prevents the tank from being overfilled which can cause malfunction of the LP gas tank, regulator and/or grill.
- The LP gas tank must be constructed and marked in accordance with specifications of the U.S. Dept. of Transportation (DOT). In Canada, the LP gas tank must meet the National Standard of Canada, Can CSA -B339, Cylinders, spheres and Tubes for Transportation of Dangerous Goods and Commission.
- The LP gas tank must have a shutoff valve, terminating in an LP gas supply tank valve outlet, that is compatible with a Type 1 tank connection device. The LP gas tank must also have a safety relief device that has a direct connection with the vapor space of the tank.
- The tank supply system must be arranged for vapor withdraw.
- The LP gas tank used must have a collar to protect the tank valve



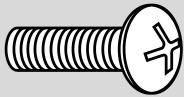

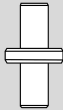

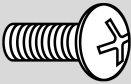
- Always keep LP gas tanks in an upright position.
- Proper Placement and Clearance of Grill.
- **Never** connect an unregulated LP gas tank to your gas grill. The gas regulator assembly supplied with your gas grill is adjusted to have an outlet pressure of 11" water column (W.C.) for connection to an LP gas tank.
- Only use the regulator and the hose assembly supplied with your gas grill. Replacement regulators and hose assemblies must be those specified in this manual.

- Have your LP gas tank filled by a reputable propane gas dealer and visually inspected and re-qualified at each filling.
- **Do not** store a spare LP gas tank under or never fill the tank beyond 80 percent full. If this information is not followed exactly a fire causing death or serious injury may occur.
- **Do not** subject the LP gas tank to excessive heat.
- **Never** store an LP gas tank indoors. If you store your gas grill in the garage or other indoor location, always disconnect the LP gas tank first and store it safely outside.
- Place dust cap on cylinder valve outlet whenever the cylinder is not in use. Only install the type of dust cap on the cylinder valve outlet that is provided with the cylinder valve. Other types of caps or plugs may result in leakage of propane.
- LP gas tanks must be stored outdoors in a well-ventilated area and out of reach of children.
- Disconnected LP gas tanks must not be stored in a building, garage or any other enclosed area.
- When your gas grill is not in use the gas must be turned off at the LP gas tank.
- The pressure regulator and hose assembly must be inspected before each use of the grill. If there is excessive abrasion or wear or if the hose is cut, it must be replaced prior to the grill being used again.
- Keep the gas regulator hose away from hot grill surfaces and dripping grease. Avoid unnecessary twisting of hose. Visually inspect the hose prior to each use for cuts, cracks, excessive wear or other damage.
- **Never** light your gas grill with the lid closed or before checking to ensure the burner tubes are fully seated over the gas valve orifices.
- **Never** allow children to operate your grill.

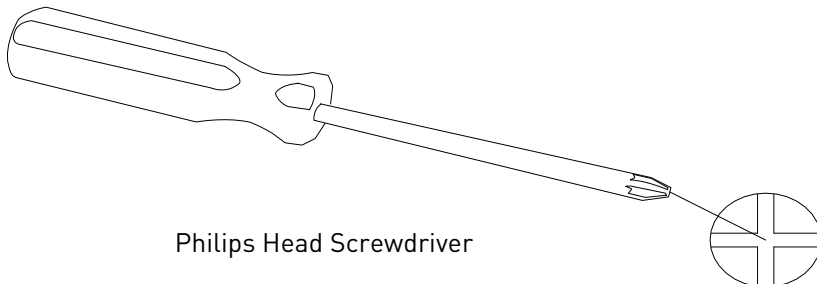
Assembly

Contents for Hardware Pack

The following table illustrates a breakdown of the hardware pack. It highlights what components are used in the various stages of assembly.

Key	Picture	Description	Qty
A		1/4" x 15mm	12 pcs
B			5 pcs
C			2 pcs
D		1/4"	4 pcs
F		5/32" x 12mm	7 pcs

Tools required for assembly



Philips Head Screwdriver

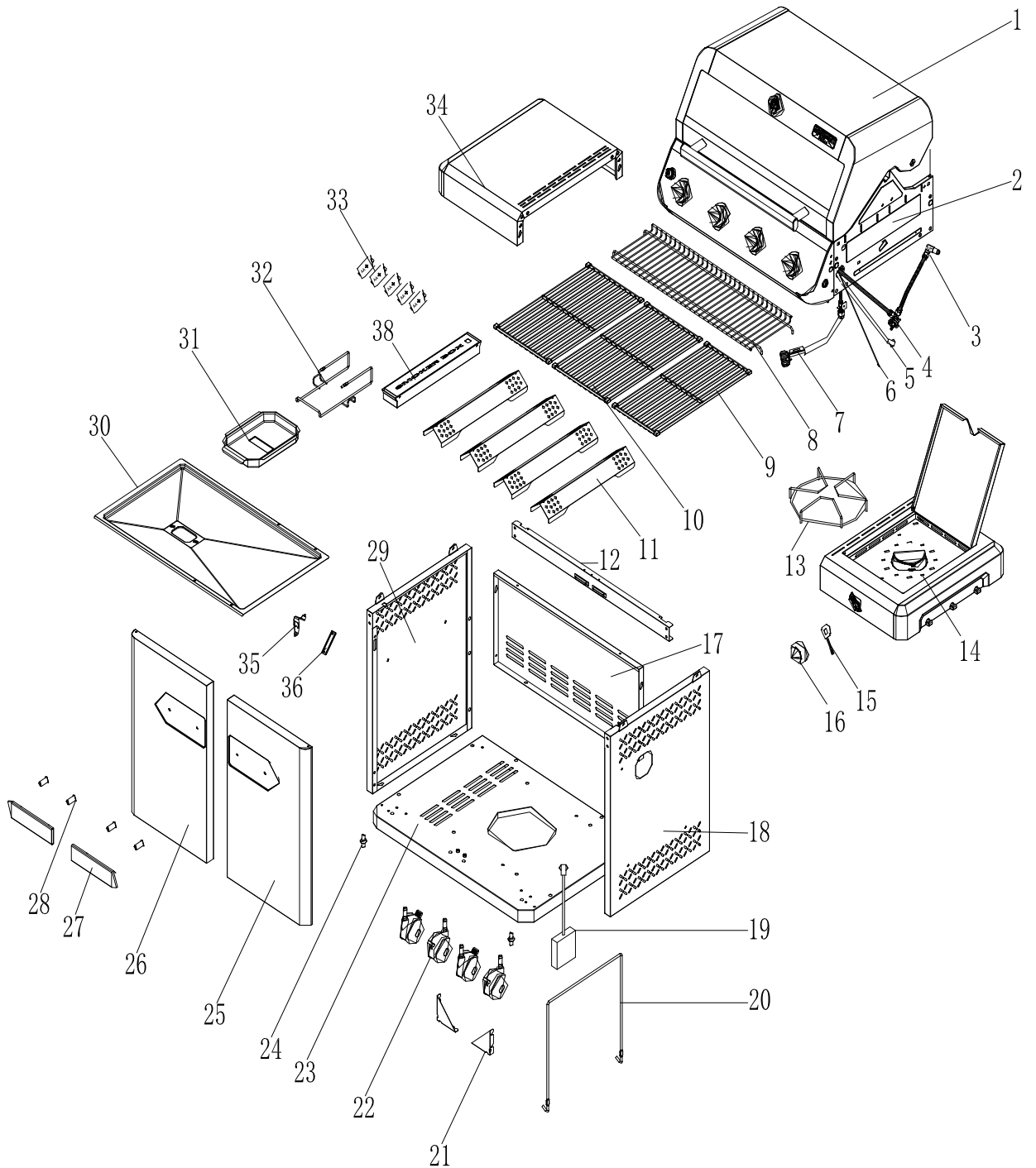
Philips Head Screwdriver (not included).

NOTE: The left and right sides of the grill are on your left and right as you face the front of the grill.

Assembly

Assembly Diagram

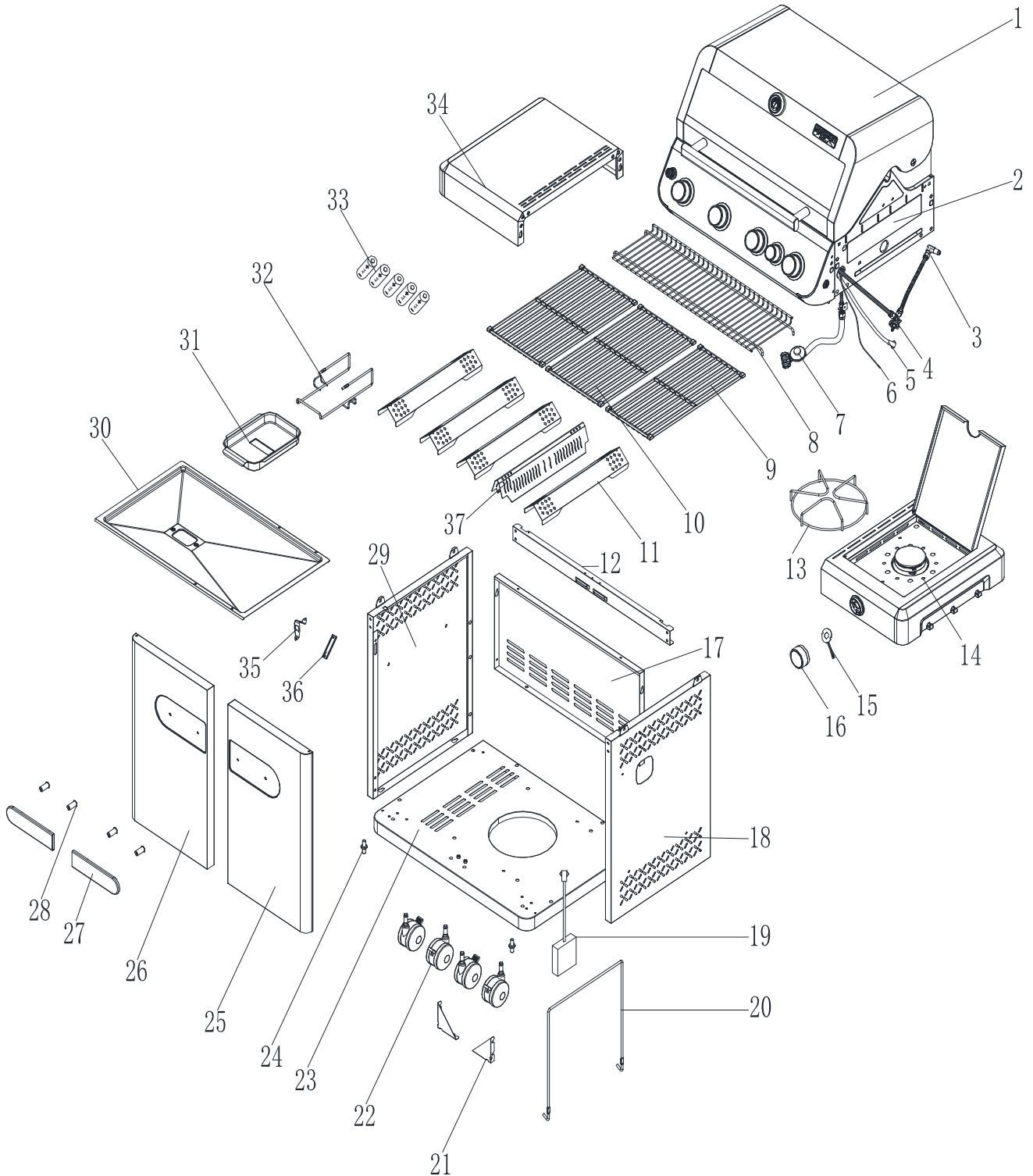
(M405/M405K/M425/M400S)



Assembly

Assembly Diagram

(M415BZ)



Assembly

Assembly List

NO.	appellation	NO.	appellation
1	Lid Kit	20	Gas Tank Holding Wire
2	Firebox Assembly	21	Triangle Joint Parts
3	Side Burner Nazzle Seat	22	Locking Caster
4	Sider Burner Regulator	23	Cart Bottom Board
5	Side Burner Lamp Panel Wire	24	Spindle Below Door Panel
6	Side Burner Igniter Wire	25	Cabinet Door,Right
7	LP Regulator Kit	26	Cabinet Door,Left
8	Warming Rack	27	Door Handle
9	Cooking Grid	28	Door Handle Seat
10	Cooking Grid	29	Cart Left Side Panel
11	Flame Tamer	30	Grease Tray
12	Cart Front Bar	31	Grease Pan
13	Pan Bracket	32	Grease Pan Bracket
14	Side Shelf,Right	33	Battery
15	LED Lamp Panel	34	Side Shelf,Left
16	Control Knob	35	Bottle Opener
17	Cart Back Panel	36	Bottle Opener Retainer
18	Cart Right Side Panel	37	Flame Tamer(Only for M405BZ)
19	Battery Box	38	Smoker Box(Only for M405K)

To make sure you obtain the correct replacement parts for your gas grill, please refer to the part numbers on this page. Keep this Owner's Manual for convenient reference and for part replacement.

Important: Use only parts listed above. When ordering parts, providing the following information:

1.Model #2.Part Description3.Quantity of parts needed

Assembly Video



Enhance your assembly experience

- Scan to view the installation video.
- Refer to the Assembly Guide to assemble your grill.

Assembly

Assembly Guide

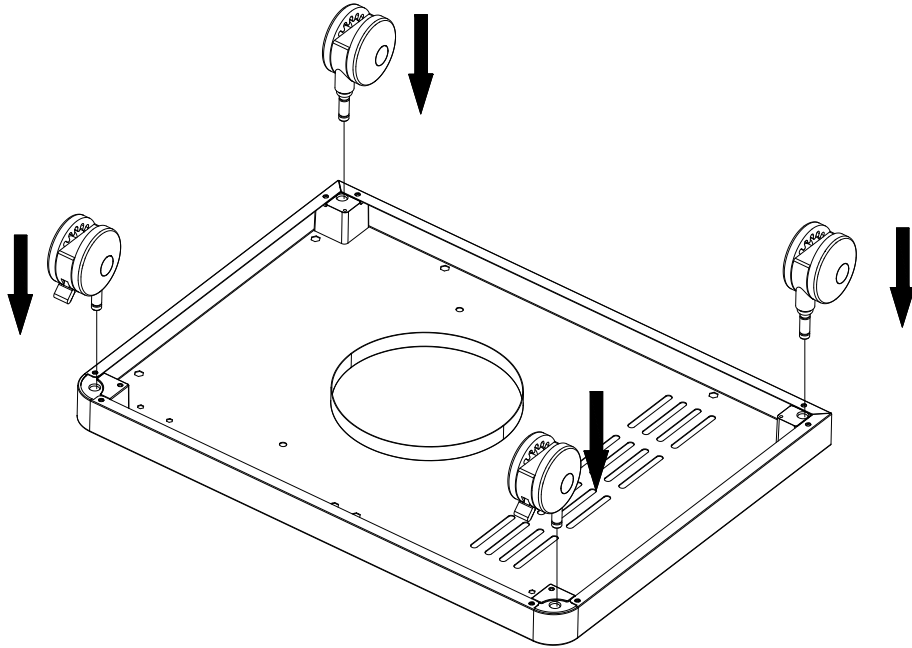


Figure 1

Please insert Locking Caster into the Cart Bottom Panel

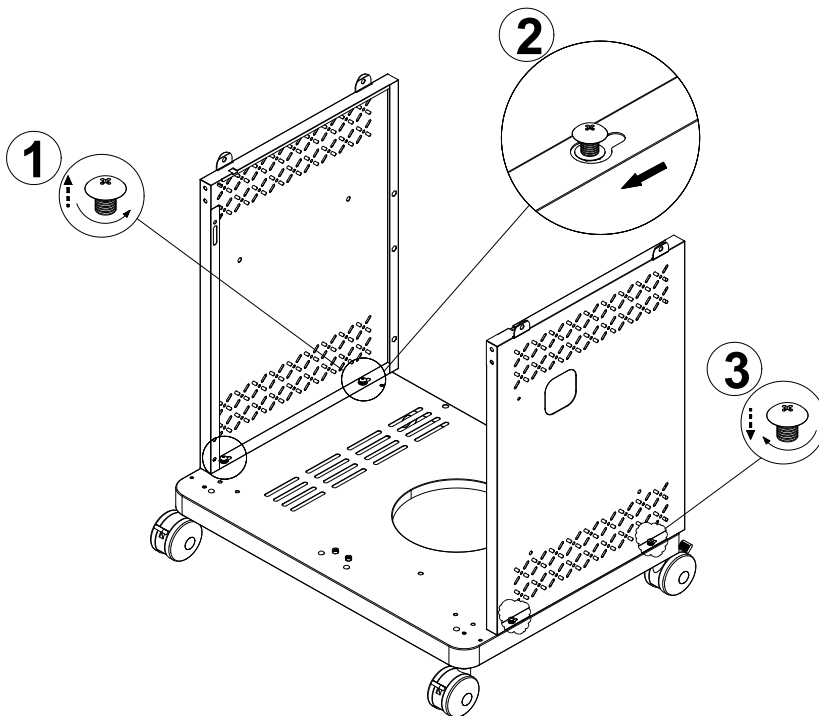
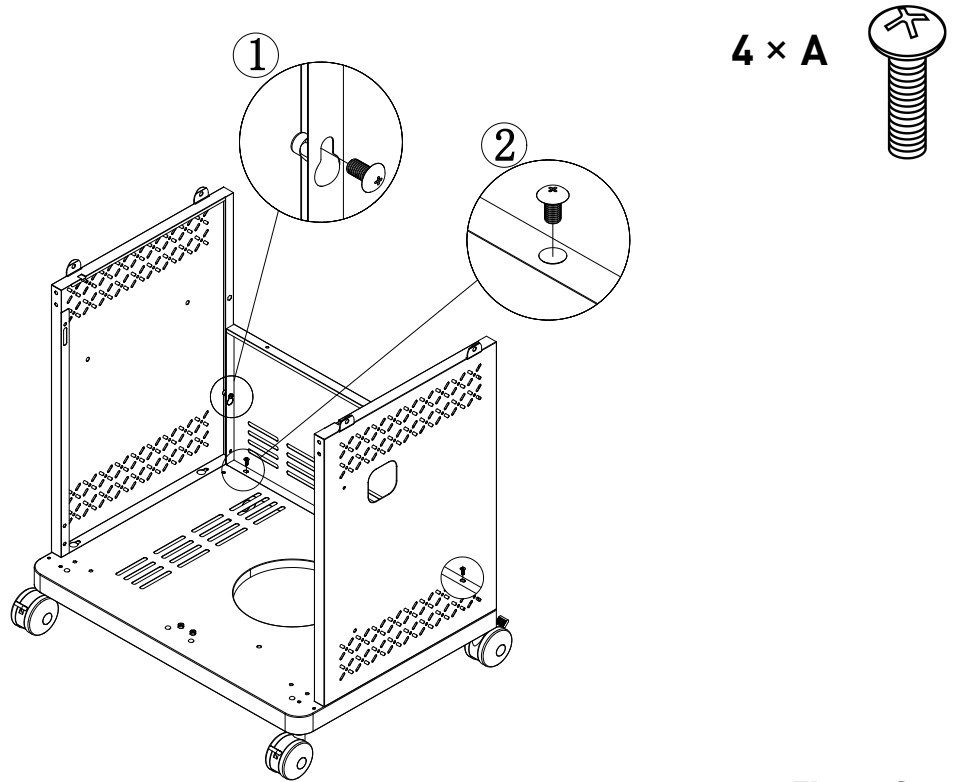


Figure 2

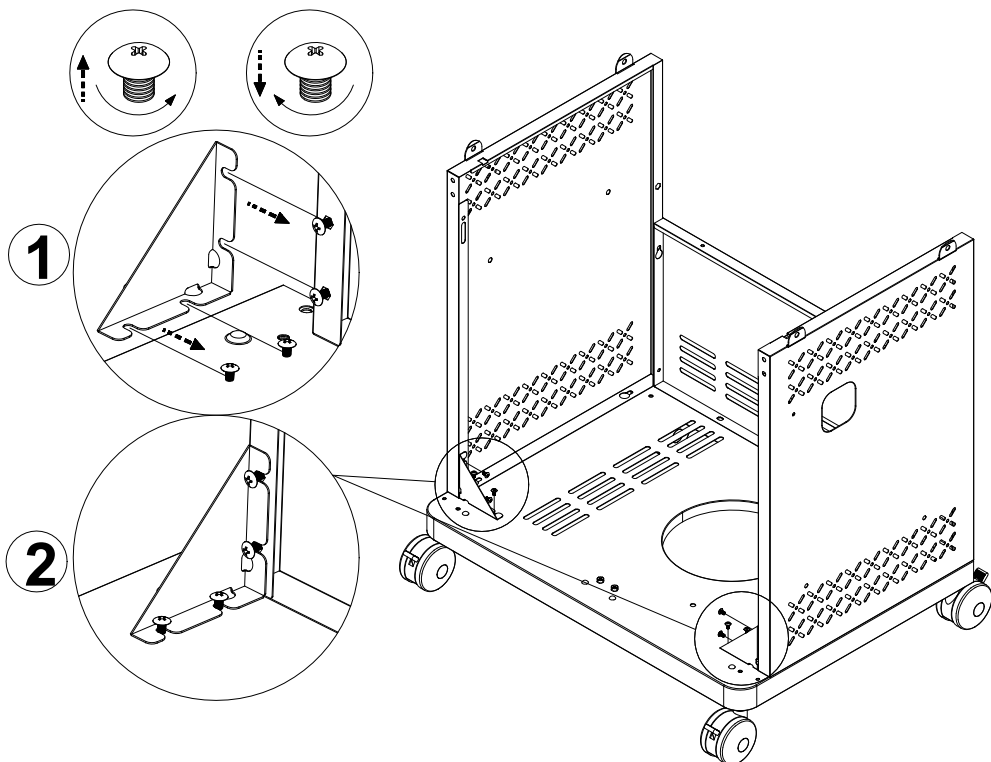
Half screw out the screws in the bottom plate, then put Cart Right Side Panel and Cart Left Side Panel onto the relevant screw holes and screw tightly.

Assembly



Install Cart Back Panel onto the relevant place with four A screws.

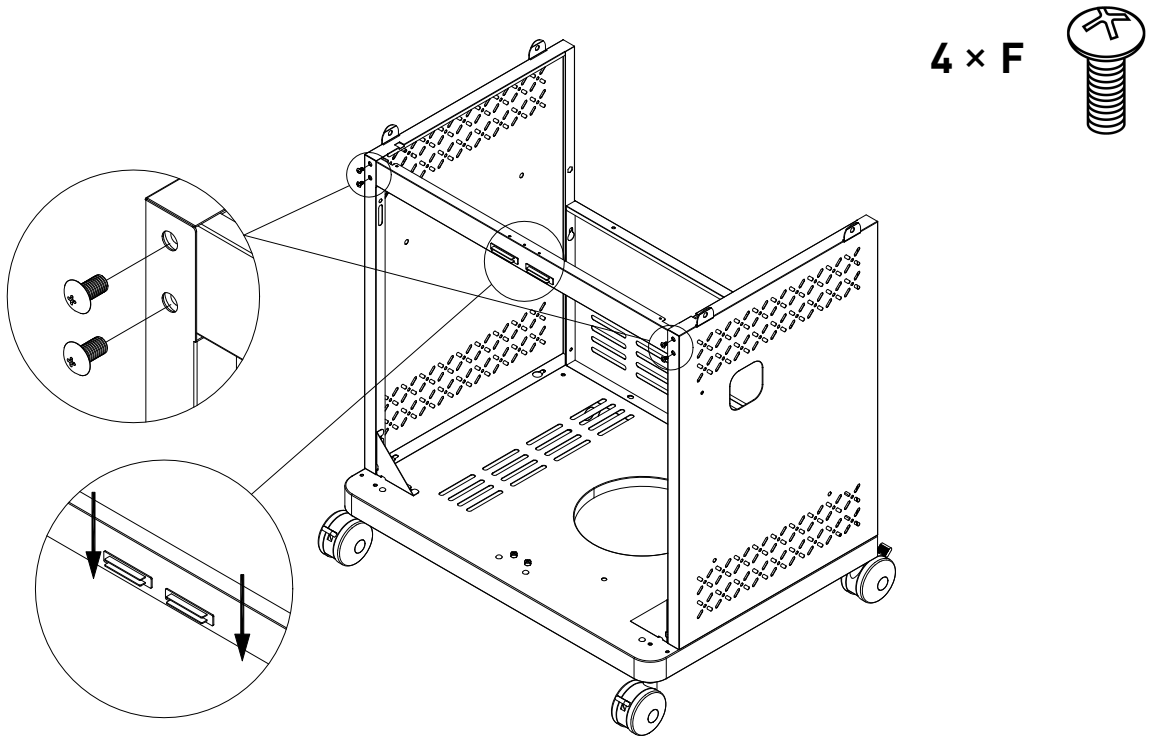
Figure 3



Half screw out the screws in the bottom and side plates, then put Triangle Joint Parts onto the relevant screw holes and screw tightly.

Figure 4

Assembly



Install Cart Front Bar onto the relevant place with four F screws.
Attention: magnet downward.

Figure 5

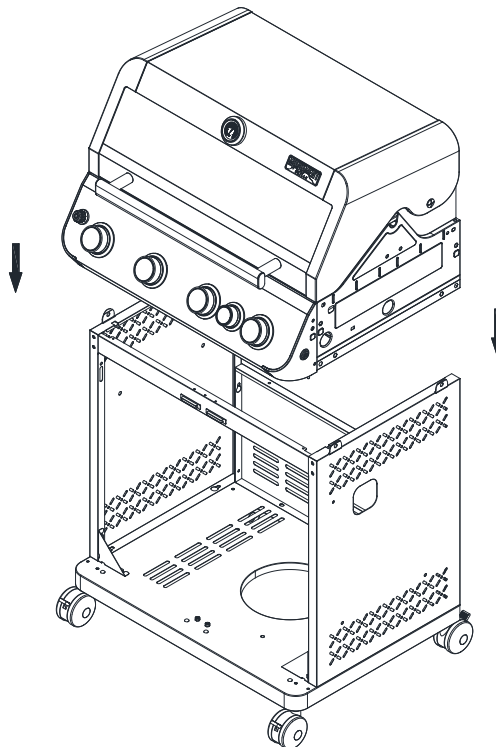
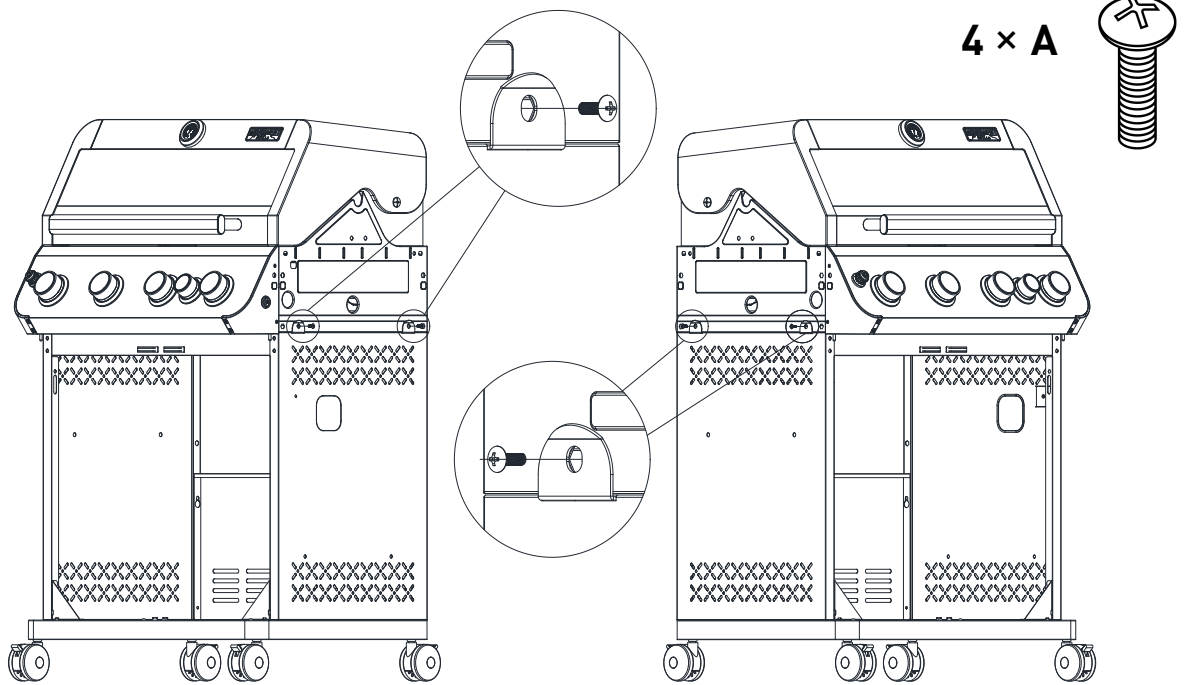


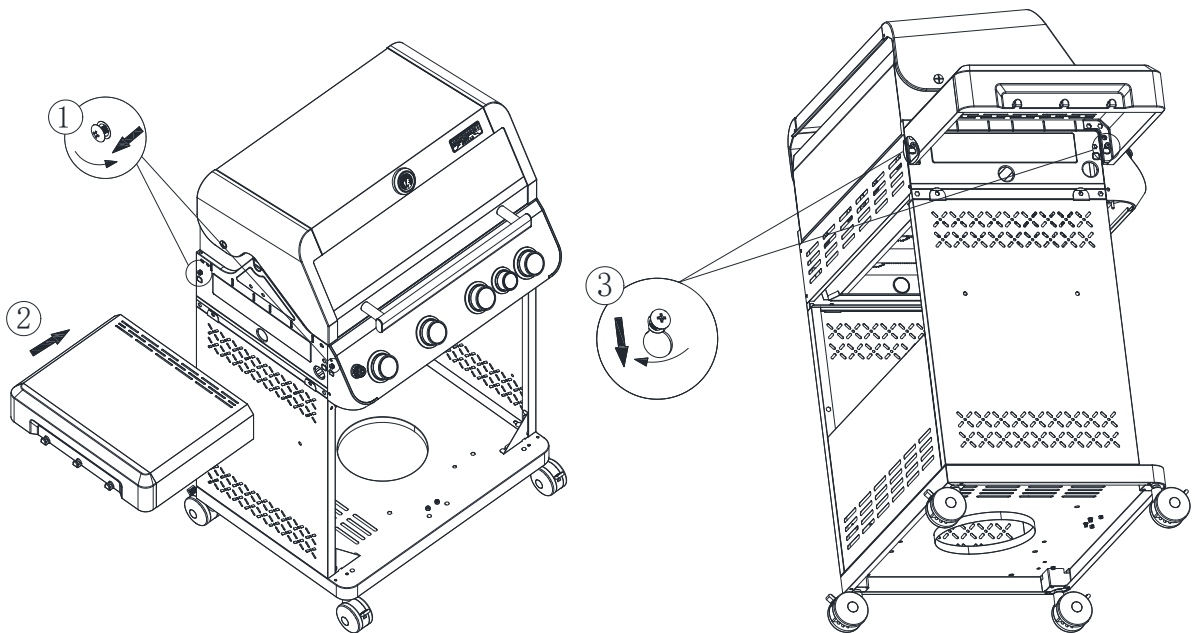
Figure 6

Assembly



Screw the grill body and the cart tightly with four A screws.

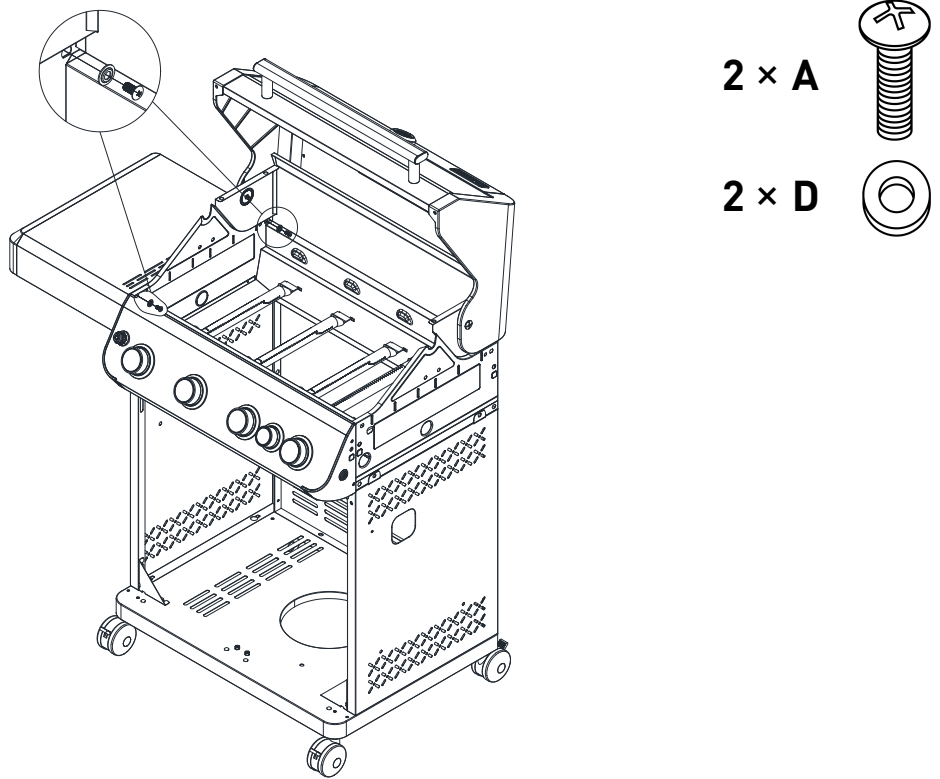
Figure 7



Half screw out the screw in the grill body, then put Side Shelf, Left onto the relevant screw holes and screw tightly.

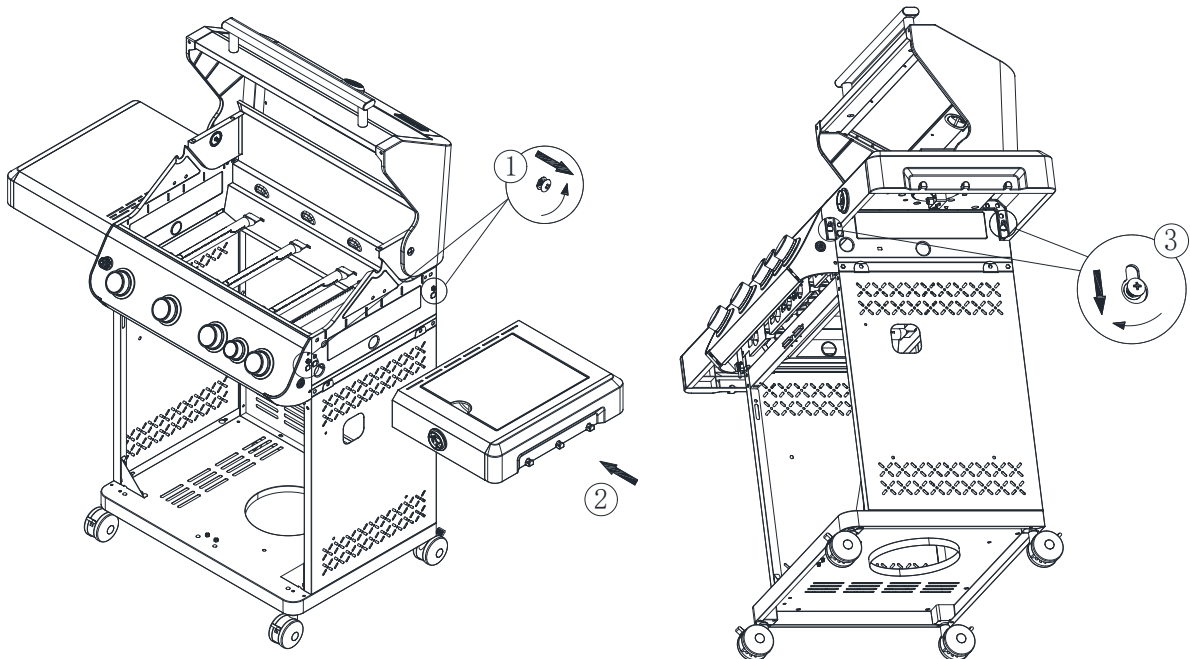
Figure 8

Assembly



Install Side Shelf, Left onto grill body with A screw and D spacer.

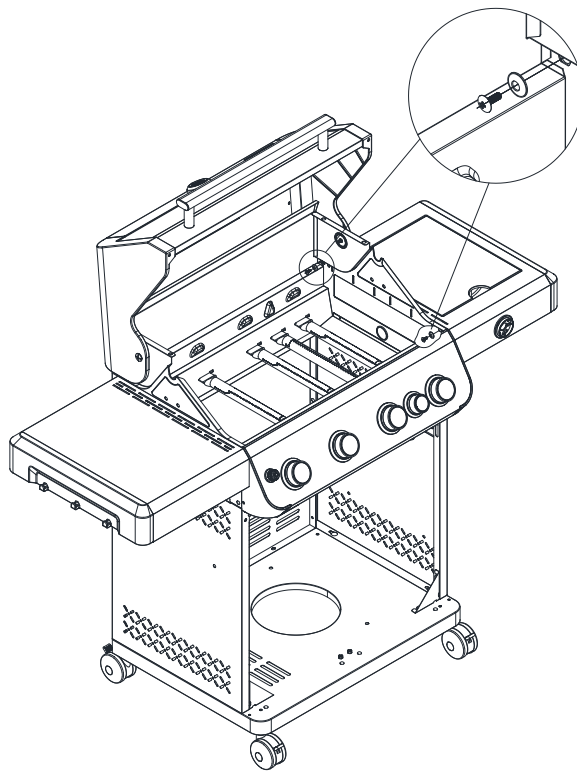
Figure 9

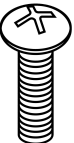



Half screw out the two big screws outside the grill body, then put Side Shelf, Right onto the relevant screw holes and screw tightly.

Figure 10

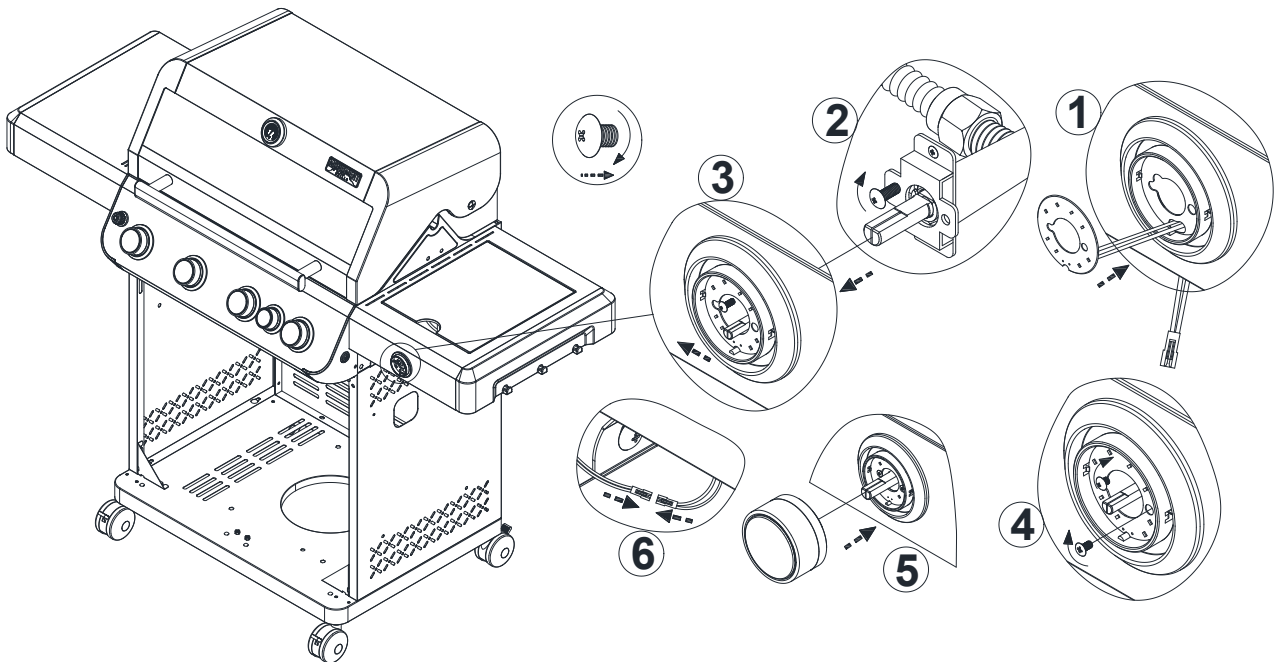
Assembly



- 2 × A 
- 2 × D 

Screw Side Shelf, Right tightly with A screw and D spacer inside the grill body

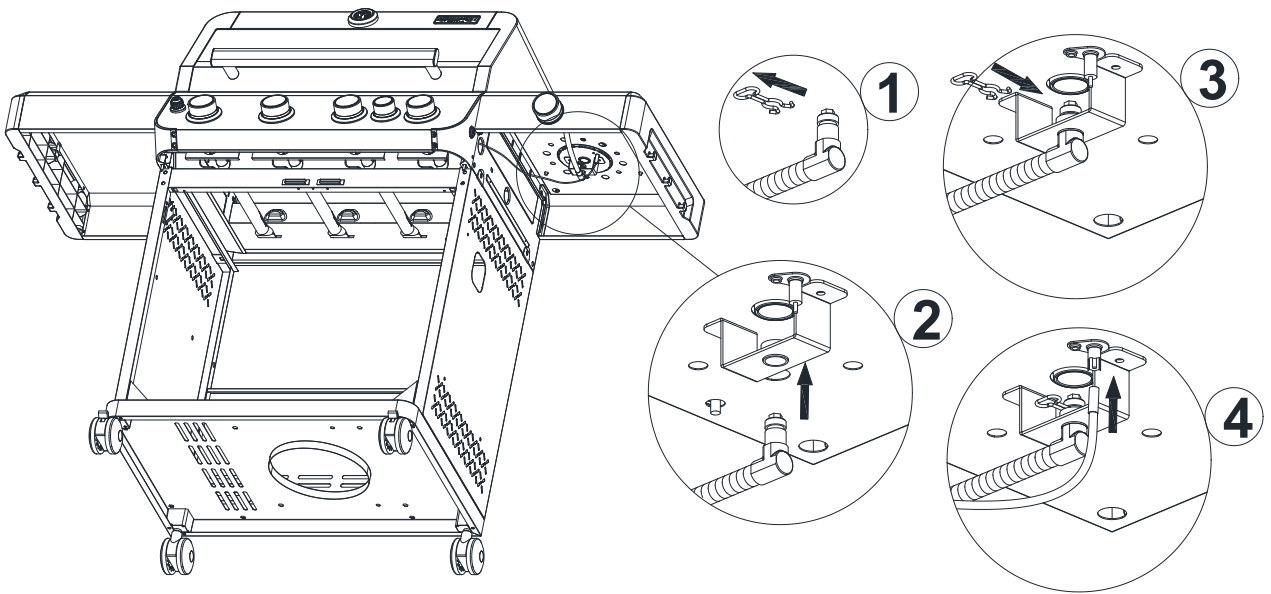
Figure 11



1. Insert Side Shelf, Right, LED Lamp Panel and Control Knob as the figure shows.
2. Insert the wire as the figure shows.

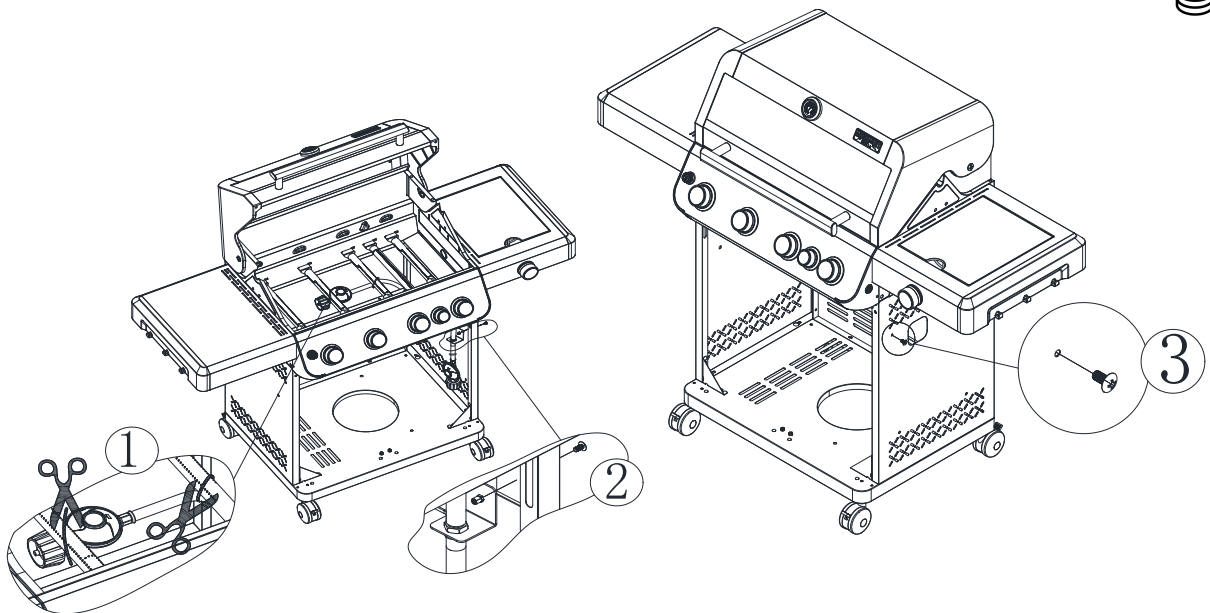
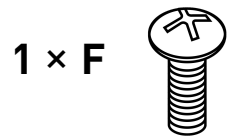
Figure 12

Assembly



Half screw out the screw in Side Shelf,Right, then put it into the hole and screw tightly.
Connect the Side Burner Igniter Wire.

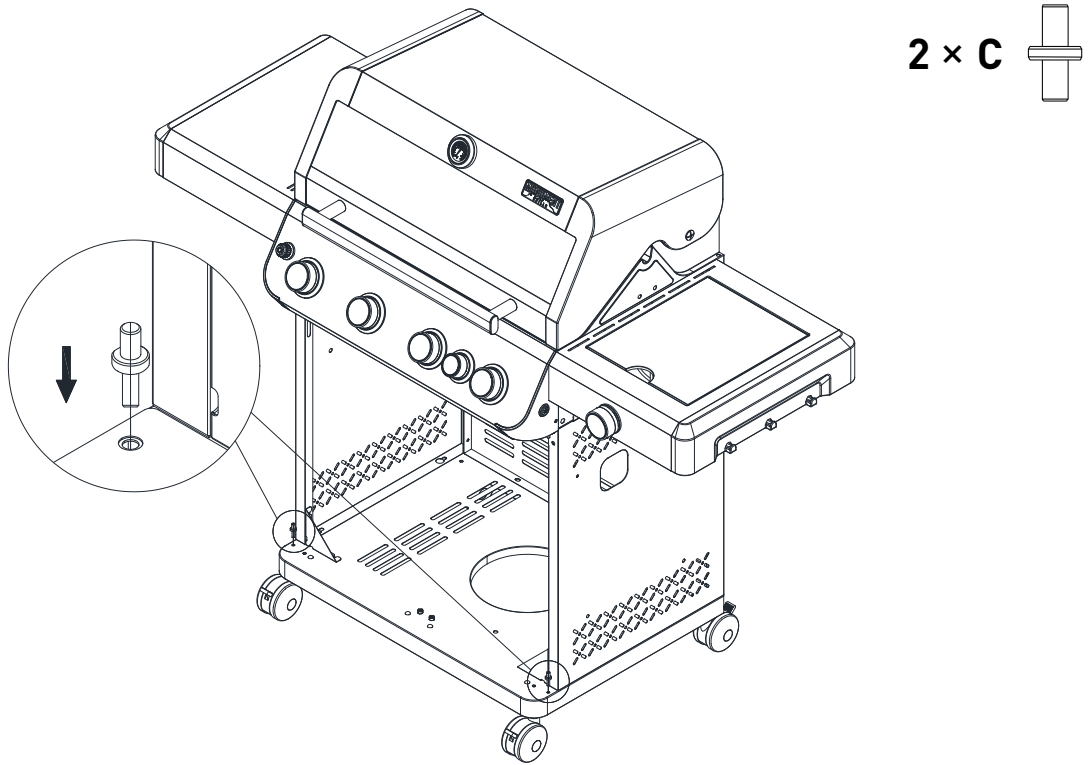
Figure 13



Fixed Regulator connecting piece onto the Right plate with one F crew.
Cut of two white plastic tie.

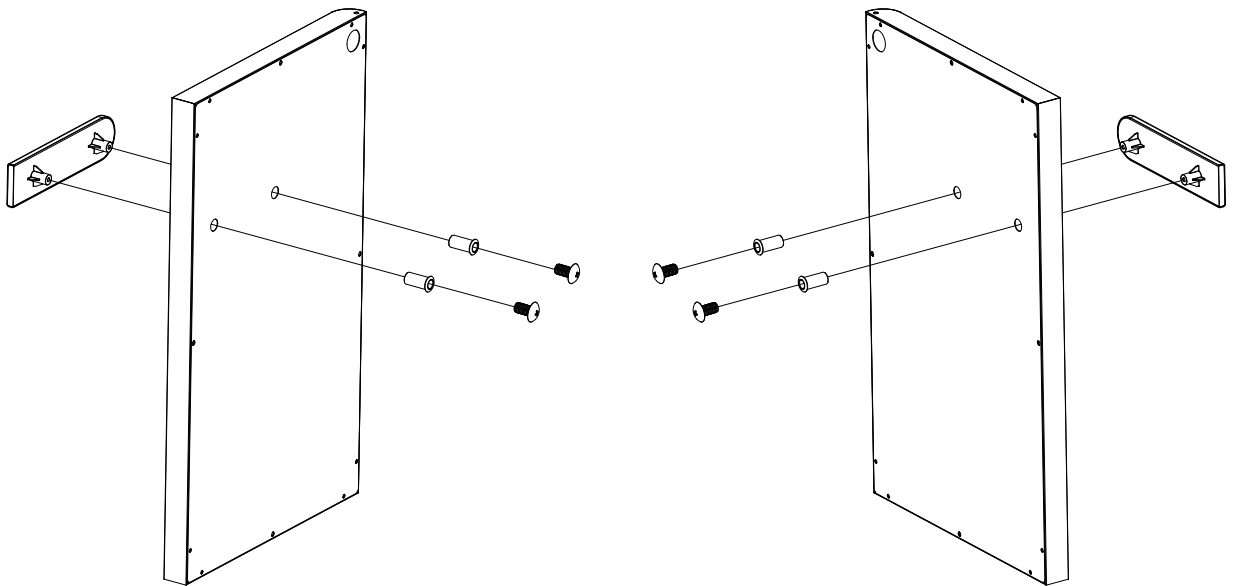
Figure 14

Assembly



Put the Spindle Below Door Panel into the relevant hole in the bottom plate.

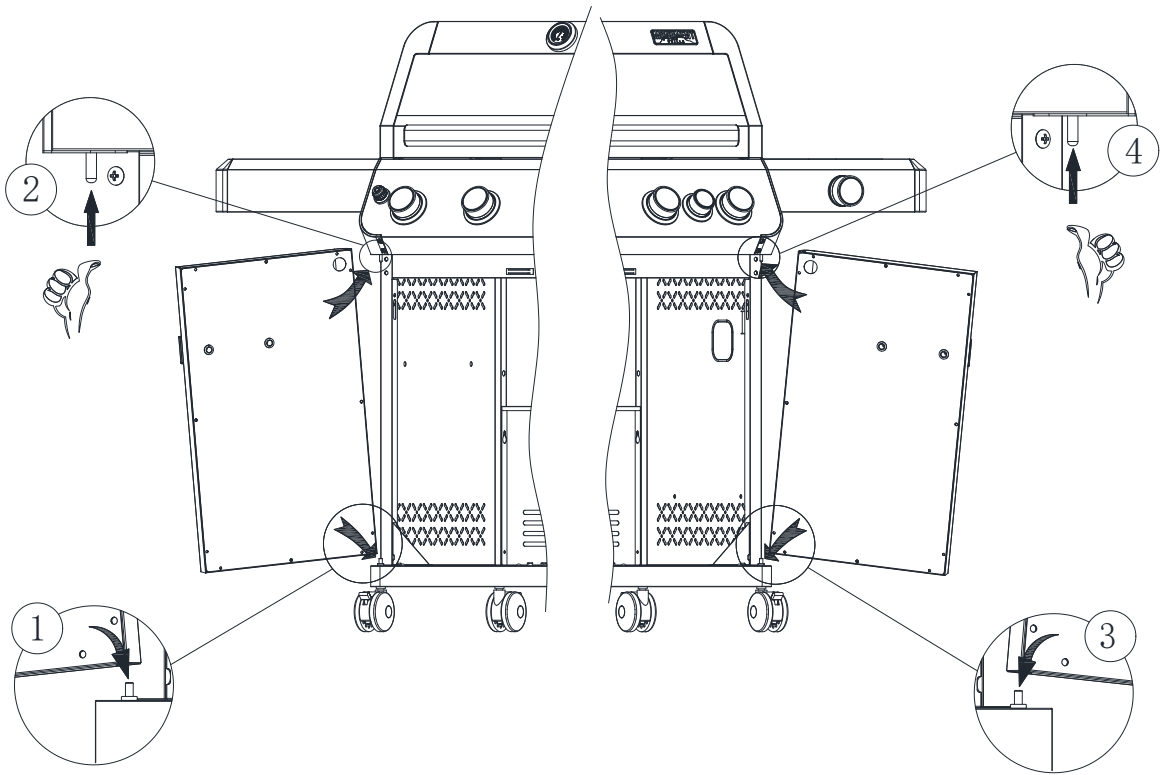
Figure 15



Install the Door Handle onto the Cabinet Door.

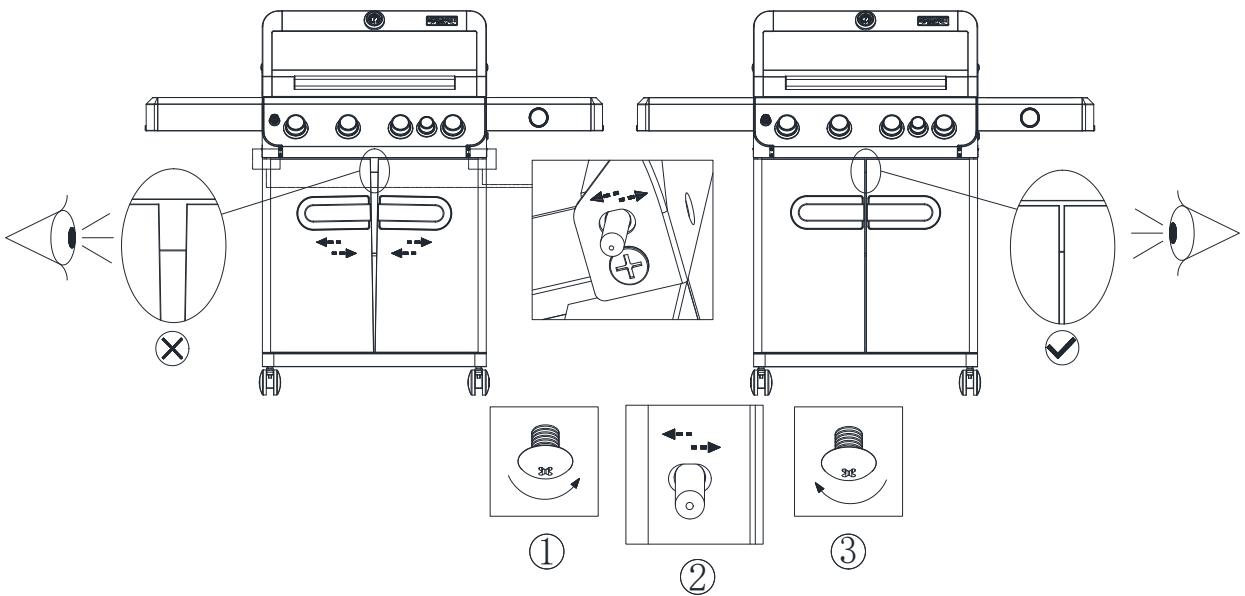
Figure 16

Assembly



Install the Cabinet Door onto the Cart Bottom Board.

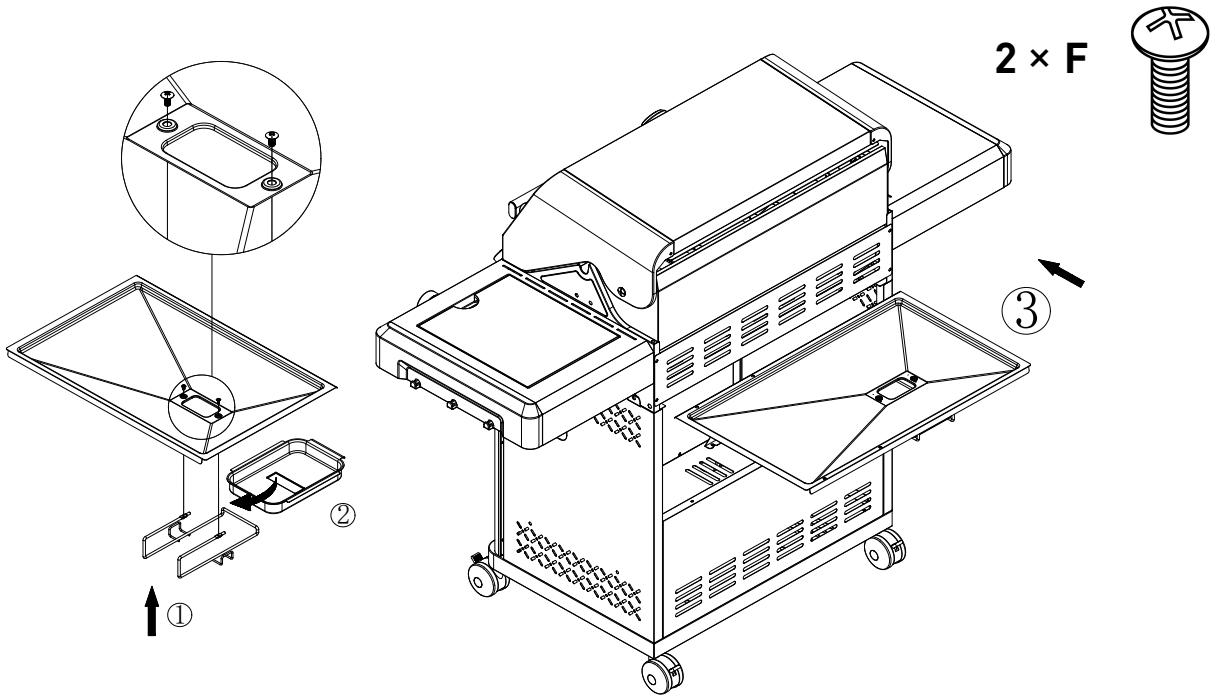
Figure 17



Door gap adjustment method.

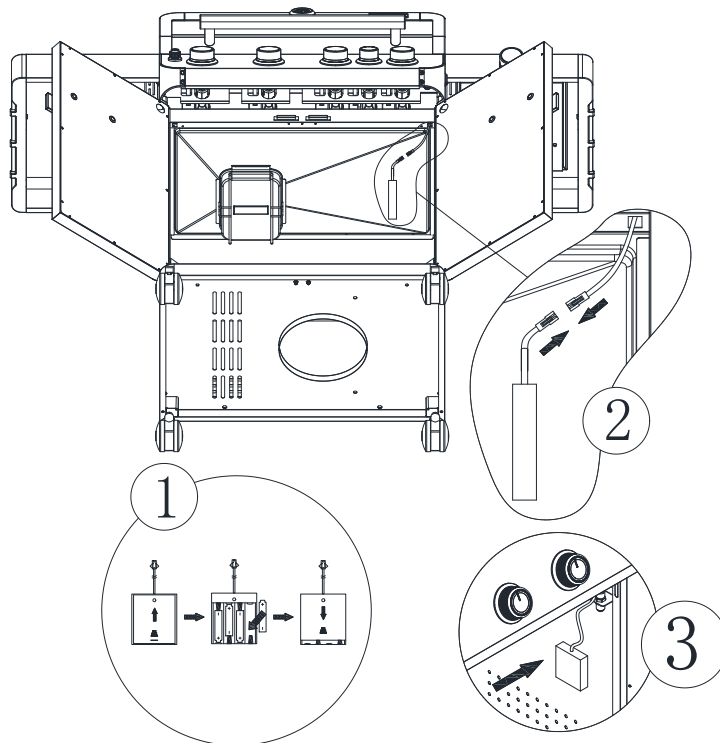
Figure 18

Assembly



1. Install Grease Tray onto Grease Pan Bracket with two F screws.
2. Put Grease Pan into Grease Pan Bracket.
3. Put the grease tray into the grill body.

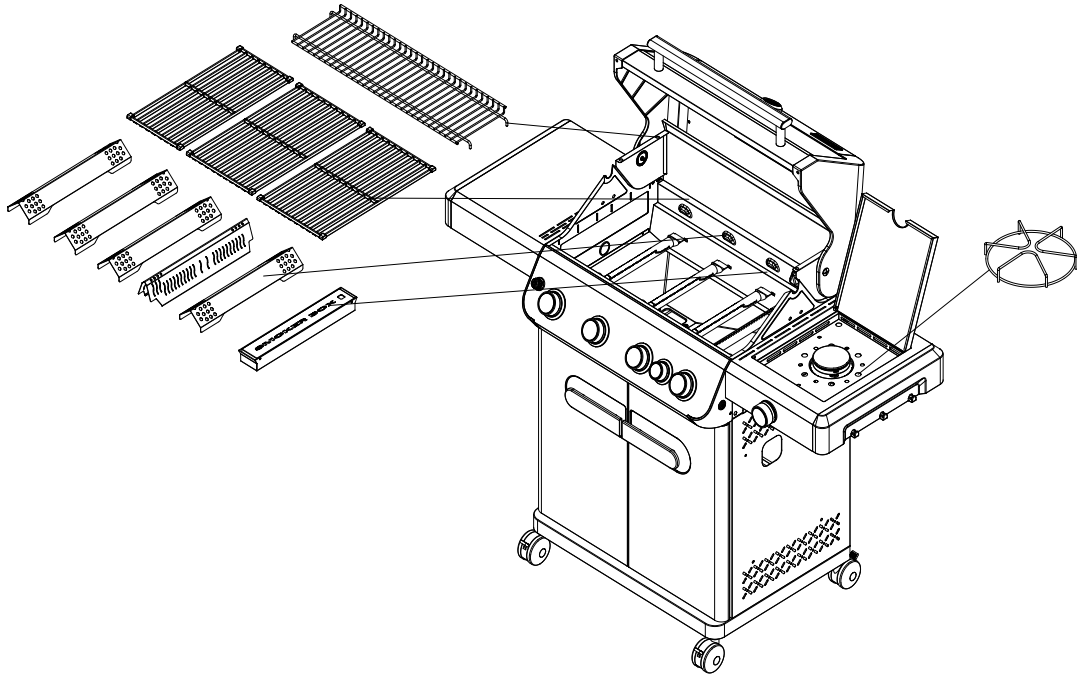
Figure 19



Connect the Battery Wire.
Paste the Battery Box onto the side panel.

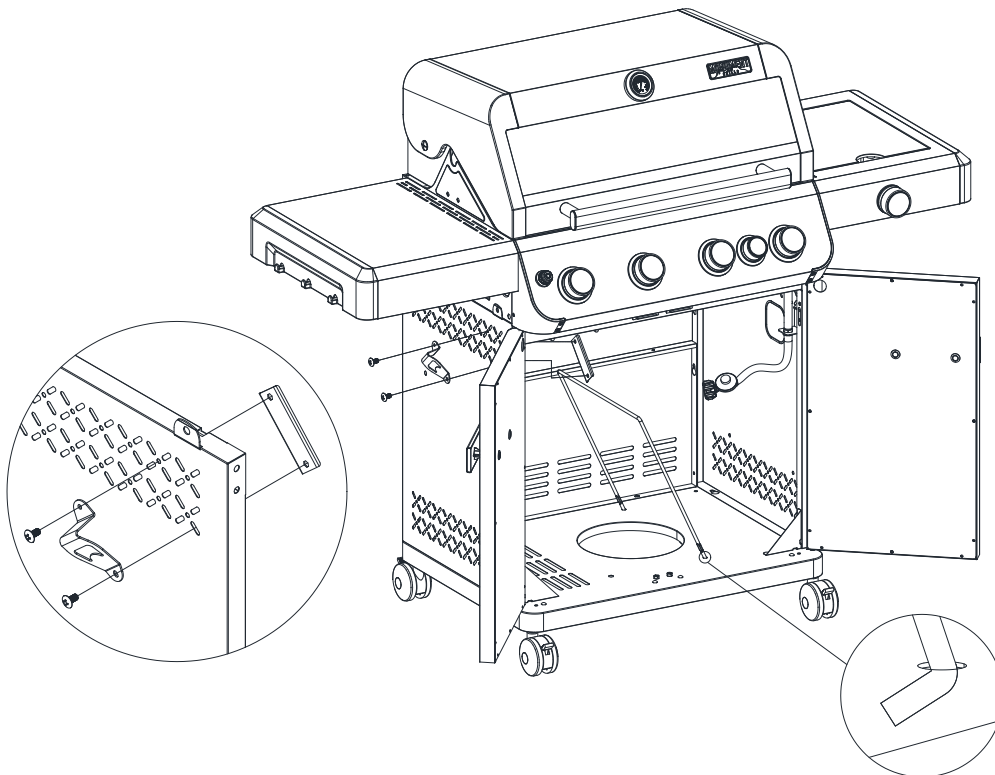
Figure 20

Assembly



Put Warming Rack, Cooking Grid, Flame Tamer, Smoker Box(Only for M405K) into the relevant place.

Figure 21

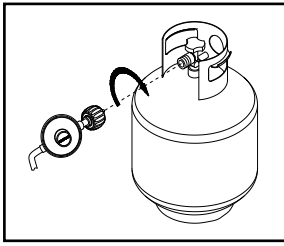


Install Gas Tank Holding Wire onto the bottom plate.
Pass Bottle Opener through Cart Left Side Panel and fix it on Bottle Opener Retainer .

Figure 22

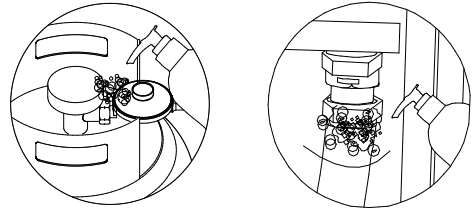
Getting Started

Connect Tank to Grill

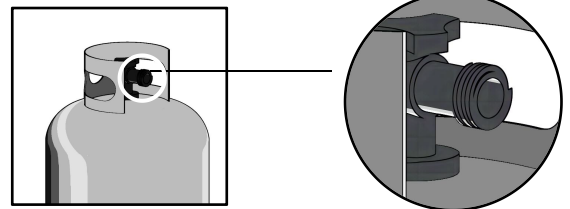


1. Place foot ring of 20 lb tank into the hole in bottom panel. Make sure the tank valve is in OFF position.
2. Check the tank valve to ensure it has proper external mating threads to fit the hose and regulator assembly provided.
3. Make sure all burner valves are in OFF position.
4. Inspect the valve connection port and regulator assembly. Look for damage or debris. Remove any debris. Inspect hose for damage. Never use damaged or plugged equipment.
5. When connecting regulator and hose assembly to tank valve hand tighten quick coupling nut clockwise to a full stop. Do not use a wrench to tighten because it could damage the quick coupling nut and result in a hazardous condition.
6. Open tank valve fully (counterclockwise). Use a soapy water solution to check all connections for leaks before attempting to light your grill. If a leak is found, turn tank valve off and do not use your grill until the leak is repaired.
7. Place the tank and battery as shown.

Check for LP gas leaks

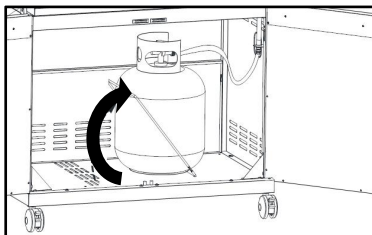
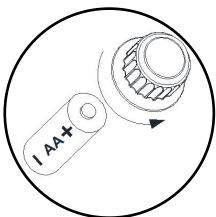


1. Make a 50/50 (soap/water) mild soap solution.
2. Turn the control knobs to full OFF position. Then turn gas ON at supply tank.
3. Apply the soap solution with a clean brush to all gas connections. If growing bubbles appear in the solution the connections are not properly sealed. Check each fitting and tighten or repair as necessary.
4. If you have a gas connection leak you cannot repair, turn gas OFF at supply tank, disconnect fuel line from your grill or contact your gas supplier for repair assistance.
5. Also apply soapy solution to the tank seams. See below. If growing bubbles appear, shut tank OFF and do not use or move it! Contact an LP gas supplier or your fire department for assistance.



⚠ WARNING

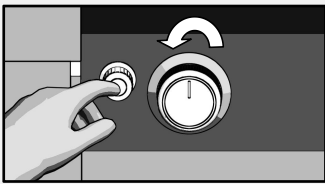
- Never test for leaks with a flame. Prior to first use, at the beginning of each season, or every time your LP gas tank is changed, you must check for gas leaks.
- When the appliance is not in use, gas must be turned off at the supply tank.
- If a leak is detected at any time, STOP! Turn off gas at source and correct leak.



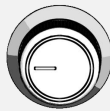
Grill Lighting Instructions for Main Burners

1. Do not smoke while lighting grill or checking gas supply connections.
2. Be sure that LP gas tank is sufficiently full.
3. Be sure all gas connections are securely tightened.
4. Turn on gas supply.
5. Open the grill main lid and side burner lid.
6. Push and turn any main burner knob to Max position, at the same time, press and hold electronic ignition button for 3 to 5 seconds to light burner. When pressing the ignition button you should hear a ticking sound. If you cannot hear the ticking sound, check the battery, then check the wires.
7. If the burner does not light after 5 seconds, turn knob to OFF. Turn gas OFF at LP tank and wait 5 minutes for gas to clear. Then turn gas ON at tank and repeat step 6.
8. If burner still does not light, see Match Lighting section and If Grill Still Fails to Light section on following page.

NOTE: The button lights come in two colors in total, press the light switch, and when the button lights up, the unlit state is white, the fire state is red, (same as the side burner button light).



White



Red

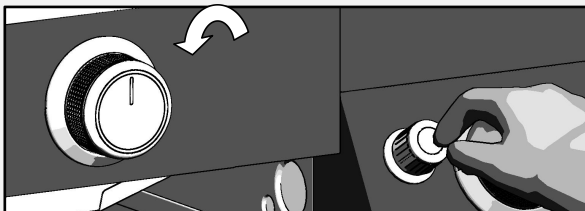


Red

Lighting Instructions for Side Burners

1. Open side burner lid fully.
2. Push and turn side burner knob to Max position. At the same time, press and hold electronic ignition button for 3 to 5 seconds to light burner.
3. If the side burner does not light after 5 seconds, turn knob to OFF. Turn gas OFF at LP tank and wait 5 minutes for gas to clear. Then turn gas ON at tank and repeat step 2.
4. If burner still does not light, see Match Lighting section and If Grill Still Fails to Light section on following page.

NOTE: The Lighting illustrated may have slight differences than the model purchased.



⚠ CAUTIONS

Spiders and small insects occasionally spin webs or make nests in the grill burner tubes during transit and warehousing. These webs can lead to gas flow obstruction which could result in a fire in and around burner tubes. This type of fire is known as "FLASH-BACK" and can cause serious damage to your grill and create an unsafe operating condition for the user. Although an obstructed burner tube is not the only cause of "FLASH-BACK", it is the most common cause. To reduce the chance of "FLASH-BACK", you must clean the burner tubes before assembling your grill, and at least once a month in late summer or early fall when spiders are most active. Also perform this burner tube cleaning procedure if your grill has not been used for an extended period of time. See Cleaning Burner Tubes and Burner Ports on *Cleaning and Maintenance*. Should a "FLASH-BACK" fire occur in/or around the burner tubes, follow the instructions below. Failure to comply with these instructions could result in a fire or explosion that could cause serious bodily injury, death, or property damage.

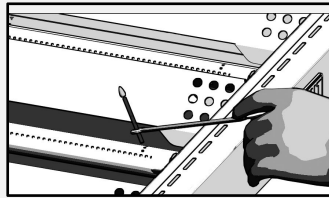
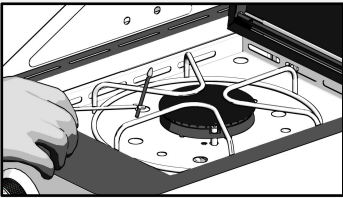
- Shut off gas supply to the gas grill.
- Turn the control knobs to OFF position.
- Put out any flame with a proper fire extinguisher.
- Open grill lid.
- Once the grill has cooled down, clean the burner
- Tubes and burners according to the cleaning

⚠ WARNING

- Failure to open grill lid during the lighting procedure could result in a fire or explosion that could cause serious bodily injury, death, or property damage.
- Always keep your face and body as far away from the burner as possible when lighting.
- Never lean over the grill cooking area while lighting your gas grill. Keep your face and body a safe distance (at least 18 inches) from the cooking grid surface when lighting your grill by match.
- Inspect the gas supply hose prior to turning the gas "ON". If there is evidence of cuts, wear or abrasion, it must be replaced prior to use. Do not use the side burner if the odor of gas is present.

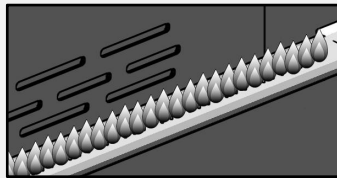
Manually Lighting by Match

1. Take the manual lighting stick.
2. Insert a match into the lighting stick.
3. Light the match and extend the lighting stick to cooking grid surface.
4. Turn the desired control knob to the Max setting to release gas.
5. The burner should light immediately.



Burner Flame Check

Visually check the burner flames prior to each use. The flames should look like picture, if they do not, refer to the cleaning Burner Tubes and Burner Ports, see *Cleaning and Maintenance* of this manual.



NOTE: The normal flow of gas through the regulator and hose assembly can create a humming noise. A low volume of noise is perfectly normal and will not interfere with operation of the grill. If humming noise is loud and excessive you may need to purge air from the gas line or reset the regulator excess gas flow device. This purging procedure should be done every time a new LP gas tank is connected to your grill.

If Grill Still Fails To Light

1. Check gas supply and connections for leaks. Check that all wire connections are secure.
 2. Repeat basic lighting procedure. If your grill still fails to operate, turn the gas off at source, turn the control knobs to OFF, then check the following:
 - **Misalignment of burner tubes over orifices.**
Correction: Reposition burner tubes over orifices.
 - **Obstruction in gas line.**
Correction: Remove fuel line from grill. Do not smoke! Open gas supply for 1 second to clear any obstruction from fuel line. Close off gas supply at source and reconnect fuel line to grill.
 - **Plugged orifice.**
Correction: Remove burners from grill, carefully lift each burner up and away from gas valve orifice. Remove the orifice from gas valve and gently clear any obstruction with a fine wire. Then reinstall all orifices, burners, and cooking components.
 3. If an obstruction is suspected in gas valves, please contact us.
 4. If the grill still does not light you may need to purge air from the gas line or reset the regulator excess gas flow device.
- This procedure should be done every time a new LP gas tank is connected to your grill.
- To purge air from your gas line and/or reset the regulator excess gas flow device:**
- Turn the control knob to OFF position.
 - Turn off the gas at the tank valve.
 - Disconnect regulator from LP gas tank.
 - Let unit stand for 5 minutes.
 - Reconnect regulator to the LP gas tank.
 - Turn the tank valve on slowly until $\frac{1}{4}$ to $\frac{1}{2}$ open.
 - Open the grill lid.
 - Set control knobs to OFF. Push and turn any control knob to Max.
 - Turn control knobs to Max until all the burners are lit.
 - You may start to use the grill.

Cooking Instructions

Burn-off

Before cooking on your gas grill for the first time, you will want to “burn off” the grill to eliminate any odor or foreign matter. Just ignite the burners, lower the Lid, and operate grill on the HIGH setting for 3 to 5 minutes.

Cooking Temperatures

High setting: Only use this setting for fast warm-up, searing steaks or chops and for burning food residue off the grill after cooking is complete. Never use the HIGH setting for extended cooking.

Medium to Low Settings: Most recipes specify medium to low settings, including all smoking, rotisserie cooking and for cooking lean cuts such as fish.

NOTE: Temperature settings will vary with the temperature and the amount of wind outside your home.

Direct Cooking

The direct cooking method can be used with the supplied cooking grids and food placed directly over the lit grill Burners. Direct cooking requires the grill lid to be up. The method is ideal for searing and whenever you want meat, poultry or fish to have an open-flame barbecued taste. Deep frying and smoking are also best cooked in this manner because they require direct heat.

Indirect Cooking

To cook indirectly, the food should be placed on the left or right side of your grill with the burner lit on the opposite side. Indirect cooking must be done with the Lid down.

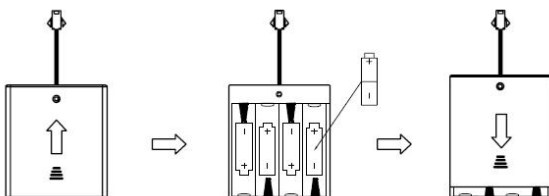
Flare-ups

The fats and juices dripping from grilled food can cause flare-ups. Since flare-ups impart a favorably distinctive taste and color to food cooked over an open flame, they should be accepted up to a point. Nevertheless, uncontrolled flaring can result in a ruined meal.

Replace the Battery

If the LED do not light, the battery should be replaced. Change the led battery.

1. Find the battery box, open the lid.
2. Put 4pcs “AA” size battery, the positive and negative pole of the battery
3. should keep the same as the pole in box.
4. Close the lid.



⚠ WARNING

Never cover slots, holes, or passages in the oven bottom or cover an entire rack with material such as aluminum foil.

Doing so blocks air flow through the oven and may cause carbon monoxide poisoning.

Aluminum foil linings may trap heat causing a fire hazard.

⚠ CAUTIONOUS

This marking indicates that this product should not be disposed with other household wastes throughout the US. To prevent possible harm to the environment or human health from uncontrolled waste disposal, recycle it responsibly to promote the sustainable reuse of material resources. To return your used device, please use the return and collection systems or contact the retailer where the product was purchased. They can take this product for environmental safe recycling.

Cooking Instructions

To ensure that it is safe to eat, food must be cooked to the minimum internal temperatures listed in the table below.

USDA*Safe Minimum Internal Temperatures	
Fish	145° F
Pork	160° F
Egg Dishes	160° F
Steaks and Roasts of Beef, Veal or Lamb	145° F
Ground Beef, Veal or Lamb	160° F
Whole Poultry (Turkey, Chicken, Duck, etc.)	165° F
Ground or Pieces Poultry (Chicken Breast, etc.)	165° F

*United States Department of Agriculture

Food	Weight or thickness	Temperature	Time	Special instructions and tips
Vegetables	/	Medium	8 to 20 minutes	Slice or chop vegetables and dot with butter or margarine. Wrap tightly in heavy duty foil. Grill turning occasionally.
Potatoes	Whole	Medium	40 to 60 minutes	Wrap individually in heavy duty foil. Cook rotating occasionally.
Meat/Steaks	1/2 to 3/4 inches	High-Medium	4 to 15 minutes	Pre heat grill for 15-20 minutes then sear steaks on each side for two minutes. Next grill 3 to 5 minutes on each side or until desired doneness.
Ground Meats	1/2 to 3/4 inches	Medium	8 to 15 minutes	Grill turning once when juices rise to the surface or until desired amount of doneness. Do not leave hamburgers unattended since a flare-up could occur quickly.
Ribs	1/2 or full rack	Medium	20 to 40 minutes	Grill turning occasionally. During last few minutes brush with barbecue sauce, turn several times.
Hot dogs	/	Medium	5 to 10 minutes	Grill turning four times. 2-4 minutes on each of four sides.
Poultry-Cut	1/4 to 1/2 pounds	Low or Medium	20 to 40 minutes	Grill turning occasionally. During last few minutes brush with barbecue sauce if desired, turn several times.
Poultry Whole	2 to 3 pounds	Low	1 to 1-1/2 hours	Use poultry stand and brush frequently as desired
		Medium	40 to 60 minutes	Use poultry stand and brush frequently as desired
Fish	3/4 to 1 inch	Medium	8 to 15 minutes	Grill turning once to desired doneness. Brush with melted butter, margarine or oil.

Cleaning and Maintenance

Clean Cooking Grids

We suggest you wash your cooking grids in a mild soap and warm water solution. You can use a wash cloth or soft brush to clean your cooking grids.

Clean Heat Diffusers

Periodically you should wash the heat diffusers in a soap and warm water solution. Use a soft brush to remove stubborn burnt-on cooking residue. The heat diffusers should be dry before you reinstall them.

Clean Grease Tray

The grease tray should be emptied and wiped down periodically and washed in a mild detergent and warm water solution. A small amount of sand or cat litter may be placed in bottom of grease tray to absorb the grease.

Check the grease tray frequently, don't allow excess grease to accumulate and overflow out of the grease tray.

Clean Grill Interior

Burning-off the grill after every use will keep it ready for your next use. However, once a year you should give the entire grill a thorough cleaning to keep it in top operating condition. Follow these steps.

1. Turn all burner valves to full OFF position.
2. Turn LP gas tank valve to full OFF position.
3. Detach LP gas hose and regulator assembly from your gas grill. Inspect for any damage and replace as necessary with manufacturer replacement part number found on parts list.
4. Remove and clean heat diffusers, cooking grids and grill burners.
5. Cover each gas valve orifice with aluminum foil.
6. Brush inside and bottom of grill with a nylon brush, and wash with a mild soap and warm water solution. Rinse thoroughly and let dry.
7. Remove the aluminum foil, then reinstall heat diffusers, and cooking grids.
8. Reconnect gas source and observe burner flame for correct operation.

Clean Exterior Surface

We suggest you wash your grill using a mild soap and warm water solution. You can use a wash cloth or sponge for this process. Do not use abrasives or a brush that might remove finish during the cleaning process.

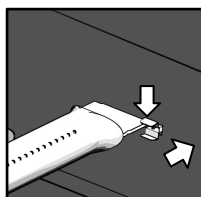
Clean Exterior Stainless Steel

Weathering and extreme heat can cause exterior stainless steel surfaces to turn tan in color. Machine oils used in manufacturing process of stainless steel can also cause this tanning color. Use a stainless steel cleaner to polish stainless steel surfaces of your grill. Never use abrasive cleaners or scrubbers because they will scratch and damage your grill.

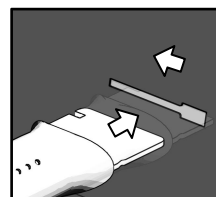
Clean Burner Tubes and Ports

To reduce the chance of "FLASH-BACK" the procedure below should be followed at least once a month in late summer or early fall when spiders are most active or when your grill has not been used for a period of time.

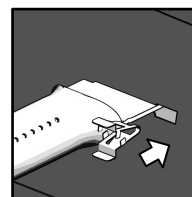
1. Turn all burner valves and gas tank valve to off position.
2. Detach the LP gas regulator assembly from your gas grill.
3. Remove cooking grids, heat diffusers, and grease tray from the grill.
4. Remove the screws from the underside of each burner and lift the burners up and away from the gas valve orifice.
5. Using a bent stiff wire in the shape of a hook, air hose or a bottle brush, run it through the burner tube and inside several times to remove any debris.
6. Replace burners, see illustration below.



Step 1



Step 2



Step 3

Regardless of which burner cleaning procedure you use, we recommend you also complete the following steps to help prolong burner life.

1. Use a fiber pad or nylon brush to clean the entire outer surface of each burner until free of food residue and dirt.
2. Clean any clogged ports with a stiff wire, such as an open paper clip.
3. Inspect each burner for damage (cracks or holes) and if such damage is found, order and install a new burner. After installation check to ensure that gas valve orifices are correctly placed inside the ends of the burner tubes.

Troubleshooting

Before calling for service

If the grill does not function properly, use the following check list before calling for service.

You should inspect the burners at least once a year or immediately after any of the following conditions occur:

Problems	What to do
Grill won't light when the control knob is rotated.	<ul style="list-style-type: none"> • Check to see if LP tank is empty. • Clean wires and/or electrode by rubbing with alcohol and clean swab. • Wipe with dry cloth. • Make sure the wire is connected to electrode assembly. • Check to see if other burners operate. If so, check the gas orifice on the malfunctioning burner for an obstruction.
Burner flame is yellow or orange, in combination with the odor of gas.	<ul style="list-style-type: none"> • Refer to Clean Burner Tubes and Burner Ports on <i>Cleaning and Maintenance</i>. • If problem still exists, please contact us.
Low heat with knob in Max position.	<ul style="list-style-type: none"> • Is the fuel hose bent or kinked? • Is the grill in a dusty area? • Is there adequate gas supply available? • If it is only one burner that appears low, does the orifice or burner need cleaning? • Is the gas supply or gas pressure low?
The knob light doesn't work	<ul style="list-style-type: none"> • Make sure you've got the batteries snug in the battery box. • Refer to the assembly instructions to assemble the knob light, and make sure it's hooked up to the battery case correctly. • Then flick the light switch on the control panel, and watch the knob light up in white.



WWW.MONUMENTGRILLS.COM



Scan the QR code on Facebook

Join our *Monumentgrills Lifestyle* group and receive access to exclusive benefits such as coupons, recipes, and giveaways shared within the group.

Customer Service Helpline
1-800-530-9133

Instrucciones de montaje y operación



Mesa series

Parrilla de gas propano líquido

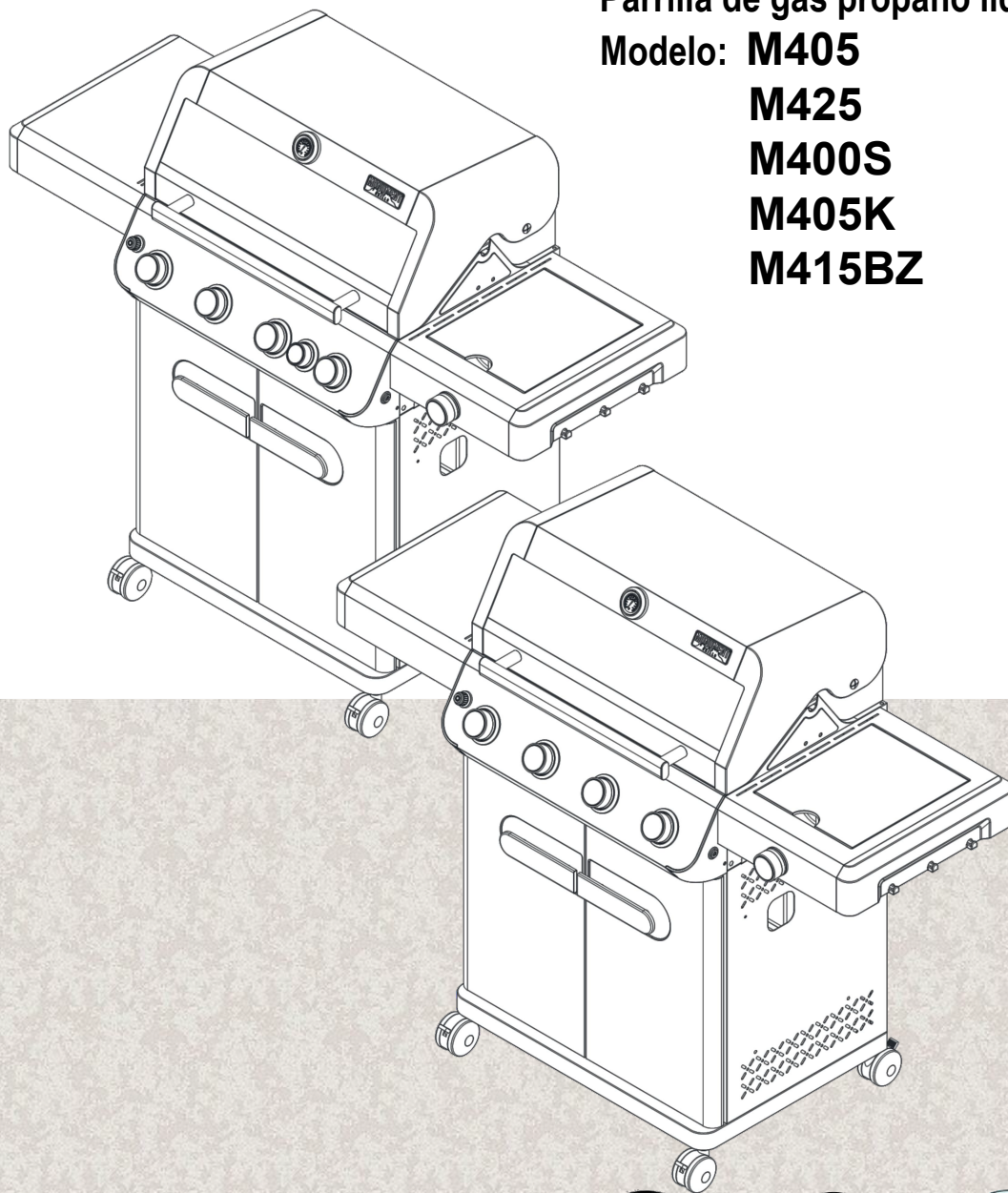
Modelo: **M405**

M425

M400S

M405K

M415BZ



Consideraciones del programa de instalación

Después de la entrega y la instalación, deje este manual de usuario al cliente.

Consejos para el consumidor

Coloque este manual de usuario en un lugar conveniente para futuras referencias.



Bienvenido a la barbacoa del monumento

Lea este manual de usuario cuidadosamente para asegurarse de que su parrilla de gas esté correctamente ensamblada, instalada y mantenida. El incumplimiento de estas instrucciones puede causar lesiones graves o daños a la propiedad.

Información de seguridad importante

Este manual de usuario usa declaraciones peligrosas, de advertencia y cuidadosas para enfatizar información crítica e importante. Lea y siga estas declaraciones para ayudar a garantizar la seguridad y prevenir el daño a la propiedad. Las definiciones de estas declaraciones son las siguientes.

- ⚠️ peligroso: indica una situación peligrosa, si no se evita, dará lugar a la muerte o lesiones graves.
- ⚠️ Advertencia: Indica una situación peligrosa que, si no se evita, puede causar la muerte o lesiones graves.
- ⚠️ Advertencia: Indica una situación peligrosa que, si no se evita, puede causar lesiones menores o moderadas.

⚠️ peligroso

Si hueles a carbón:

- **Corte el suministro de gas eléctrico.**
- **Apaga cualquier llama abierta.**
- **Abre la tapa.**
- **Si el olor persiste, manténgase alejado del equipo e inmediatamente llame a su proveedor de gas o departamento de bomberos.**

⚠️ de alerta temprana

- **No almacene ni use gasolina u otros líquidos o vapores inflamables cerca de este equipo o cualquier otro equipo.**
- **Los cilindros de baja presión no conectados no deben almacenarse cerca de este equipo ni de ningún otro equipo.**

- Los subproductos de combustión que se producen al usar este producto contienen sustancias químicas conocidas en California que pueden causar cáncer, defectos de nacimiento u otras lesiones reproductivas.

⚠️ de alerta temprana

- No instale esta parrilla de gas al aire libre en un automóvil o barco casual.
- La posición del tubo del quemador con respecto al orificio es crucial para una operación segura. Antes de usar una parrilla de gas, verifique para asegurarse de que el orificio esté en el tubo de combustión. Si el tubo del quemador no está montado en el orificio de la válvula, encender el quemador puede provocar una explosión y/o un incendio.
- No obstaculice el flujo de aire de combustión y ventilación. Verifique cada vez que use la parrilla.
- Mantenga limpio el área de la parrilla de gas al aire libre, sin materiales combustibles, gasolina y otros vapores y líquidos inflamables.
- No use parrillas de gas en garajes, porches, cobertizos, corredores o cualquier otra área cerrada. Su parrilla de gas solo se puede usar al aire libre, al menos a 24 pulgadas de la parte posterior y los lados de cualquier superficie combustible. Su parrilla de gas no debe usarse bajo edificios inflamables elevados.
- No use esta parrilla a menos que todas las piezas estén en su lugar y la parrilla esté correctamente ensamblada de acuerdo con las instrucciones de ensamblaje.
- No construya este tipo de parrilla con ninguna estructura incorporada o deslizando.
- Tu parrilla estará caliente. Cuando use una parrilla, no se incline sobre el área de cocina. No toque la superficie de cocción, la carcasa de la parrilla, la tapa ni ninguna otra parte de la parrilla cuando la parrilla esté en funcionamiento o antes de enfriarse después de que se use la parrilla de gas. El incumplimiento de estas instrucciones puede causar daños corporales graves.
- No mueva los electrodomésticos (parrilla) durante el uso.
- No deje la parrilla desatendida durante el precalentamiento o el uso. Tenga cuidado al usar esta parrilla. Toda la caja de cocina se calentará cuando se use.
- Las partes accesibles pueden estar muy calientes. Mantenga a los niños alejados.

Especificaciones de instalación de rejilla

La instalación debe cumplir con las especificaciones locales o, en ausencia de normas locales, cumplir con la especificación nacional de gas ANSI 223.1/NFPA S4, la especificación de instalación de gas natural y propano CSA B149.1 o la especificación de almacenamiento y procesamiento de propano B149.2, o la norma de ocio del vehículo C19.2A y la norma 1RSI.

Póngase en contacto con los Estados

Unidos

¡Contáctate! Nos gustaría recibir su carta, por favor envíenos su información o ideas usando el formulario.

✉ por correo electrónico: Customerservice@monitorgrads.com

☎ Tel: 1-800-530-9133

MonumentGrills LLC 5345 Fulton Industrial Suite A, Atlanta, GA, 30336, solo reserva

Horario de apertura:

De lunes a viernes: de 9:00 a.m. a 6:00 p.m.

Hay alguna pregunta o comentario?

Envíenos la siguiente información y contáctenos por correo electrónico: Customerservice@monmentgrads.com:

Nombre

Número de teléfono

Correo electrónico

Comentarios



Video de montaje



MOUMENTGRILLS.COM



FACEBOOK

Contenido

Bienvenido a la barbacoa del monumento

30

Medidas de seguridad

32

Montaje

34

Comience

49

Operación

50

Instrucciones de cocina

55

Limpieza y mantenimiento

54

Solución de problemas

55

Medidas de seguridad

Garantía de parrilla

Parrilla 2 año de garantía completa

- Si la parrilla falla debido a defectos de material o proceso dentro de un año a partir de la fecha de compra, contáctenos para el reemplazo gratuito de las piezas.

Quemador de acero inoxidable 8 años de garantía limitada

- Dentro de los ocho años a partir de la fecha de compra, cualquier quemador de acero inoxidable oxidado será reemplazado de forma gratuita. El primer año desde la fecha de compra.
- Todas las garantías no incluyen la pérdida de pintura, la decoloración u oxidación de las baterías del encendedor y las piezas de la rejilla, ya sea como partes consumibles que pueden desgastarse durante el uso normal durante el período de garantía o como resultado de un uso normal, accidente o mantenimiento inadecuado.
- Si la parrilla es para fines comerciales o de arrendamiento, todas las garantías no son válidas.
- Todas las garantías se aplican solo a parrillas utilizadas en América del Norte.
- Esta garantía le otorga derechos legales específicos y puede tener otros derechos que varían de un estado a otro.
- La garantía es válida solo para el comprador original con un certificado de compra del minorista autorizado. Cualquier producto usado o comprado a través de un minorista no autorizado está fuera de la garantía. El comprador tiene la responsabilidad de verificar si el minorista está autorizado. Los productos comprados en cualquier entidad que no sea Monument Grills en Amazon u otros minoristas de Internet no son la compra original ni la garantía.

Fuente de alimentación

- Al instalar utensilios de barbacoa a gas, la conexión a tierra debe llevarse a cabo de acuerdo con las especificaciones locales o, en ausencia de un código local, la conexión a tierra eléctrica de acuerdo con el Código Eléctrico Nacional ANSI/NFPA 70 o la primera parte del Código Eléctrico Canadiense CSAC22.1.
- Para evitar descargas eléctricas, no sumerja el cable o el enchufe en agua u otro líquido.
- Desconecte el enchufe del zócalo cuando no esté en uso y antes de limpiarlo. Deje que se enfríe antes de ponerse o quitar las piezas.
- No opere ningún dispositivo de barbacoa a gas en caso de daños al cable o al enchufe, o opere después de que el dispositivo falle o se dañe de alguna manera. Póngase en contacto con el fabricante para el mantenimiento.
- No permita que el cable cuelgue en el borde de la mesa ni toque la superficie caliente.
- No use utensilios de barbacoa a gas para fines inesperados.
- Al conectarse, primero conecte el enchufe al dispositivo de barbacoa de gas y luego inserte el dispositivo en el zócalo.
- No retire el enchufe de conexión a tierra ni lo use con el adaptador de doble pin.
- Use solo el cable de extensión con un enchufe de conexión a tierra de tres patas, clasificado como potencia del equipo y aprobado para uso al aire libre con la marca W-A.
- Este dispositivo de barbacoa a gas usa solo un circuito de protección de disyuntor de falla a tierra (GFI).

Medidas de seguridad

Suministro de gas licuado de petróleo

- Asegúrese de que la conexión de la válvula del cilindro esté conectada de manera correcta y segura a la entrada del regulador de presión.
- Los tanques de aproximadamente 12 pulgadas de diámetro y aproximadamente 18-1/2 pulgadas de alto son los tanques de almacenamiento de gas licuado de petróleo de mayor tamaño. Debe usar el tanque de gas OPD, que proporciona un dispositivo para evitar el llenado excesivo. Esta característica de seguridad evita que el tanque se llene y la sobrecarga puede causar fallas en los tanques, reguladores y/o parrillas de gas licuado de petróleo.
- La construcción y el marcado de los tanques de almacenamiento de gas licuado de petróleo deben cumplir con las especificaciones del Departamento de Transporte de los EE. UU. (DOT). En Canadá, los tanques de almacenamiento de gas licuado de petróleo deben cumplir con los estándares nacionales canadienses, Can CSA-B339, cilindros, esferas y tuberías para el transporte de mercancías peligrosas y comisiones.
- El tanque de almacenamiento de gas licuado de petróleo debe tener una válvula de cierre que termine en la salida de la válvula del tanque de suministro de gas licuado de petróleo y sea compatible con la conexión del tanque de almacenamiento tipo 1. Los tanques de almacenamiento de gas licuado de petróleo también deben tener un dispositivo de drenaje de seguridad que esté directamente conectado al espacio de vapor del tanque.
- El sistema de suministro del tanque debe usarse para la extracción de vapor.
- El tanque de almacenamiento de gas licuado de petróleo utilizado debe tener un manguito que proteja la válvula del tanque



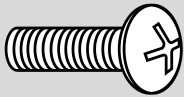

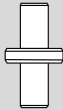

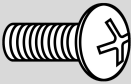
- Mantenga siempre el tanque de gas licuado de petróleo en posición vertical.
- La colocación correcta de la rejilla y el espacio.
- No conecte tanques de gas licuado de petróleo no regulados a su parrilla de gas. El conjunto del regulador de gas proporcionado por la parrilla de gas se puede ajustar a una presión de salida de 11 pulgadas de columna de agua (columna de agua) para conectar el tanque de gas licuado de petróleo.
- Use solo el regulador y el conjunto de manguera con la parrilla de gas. El regulador de reemplazo y el conjunto de manguera deben especificarse en este manual.

- Haga que un distribuidor de gas propano de buena reputación llene su tanque de gas licuado de petróleo y realice inspecciones visuales y recertificación en cada llenado.
- No almacene el tanque de gas licuado de petróleo de repuesto a continuación, ni llene el tanque con más del 80%. Si no sigue estrictamente esta información, puede haber un incendio que cause muerte o lesiones graves.
- No dejes que el tanque de gas licuado de petróleo se sobrecaliente.
- No almacene tanques de gas licuado de petróleo en interiores. Si almacena la parrilla de gas en un garaje u otra ubicación interior, asegúrese de desconectar el tanque de gas licuado de petróleo y almacenarlo de forma segura al aire libre.
- Cuando el cilindro no esté en uso, coloque la tapa contra el polvo en la salida de la válvula del cilindro. Instale el tipo de cubierta de polvo proporcionada con la válvula del cilindro solo en la salida de la válvula del cilindro. Otros tipos de cubiertas o tapones pueden causar fugas de propano.
- Los tanques de gas licuado de petróleo deben almacenarse en lugares bien ventilados al aire libre y colocarse fuera del alcance de los niños.
- Los tanques de gas licuado de petróleo desconectados no deben almacenarse en edificios, garajes ni en ninguna otra área cerrada.
- Cuando su parrilla de gas no está en uso, debe apagar el gas en el tanque de gas licuado de petróleo.
- Antes de cada uso de la parrilla, debe verificar el regulador de presión y el conjunto de la manguera. Si hay desgaste excesivo o desgaste, o si la manguera está cortada, debe reemplazarse antes de volver a usar la parrilla.
- Mantenga la manguera del regulador de gas lejos de la superficie de la parrilla caliente y las gotas de grasa. Evite las distorsiones innecesarias de la manguera. Antes de cada uso, verifique visualmente si la manguera tiene muescas, grietas, desgaste excesivo u otro daño.
- No encienda la parrilla de gas cuando la tapa esté cerrada o antes de verificar para asegurarse de que el tubo de combustión esté completamente ubicado en el orificio de la válvula de gas.
- Nunca permita que los niños operen su parrilla.

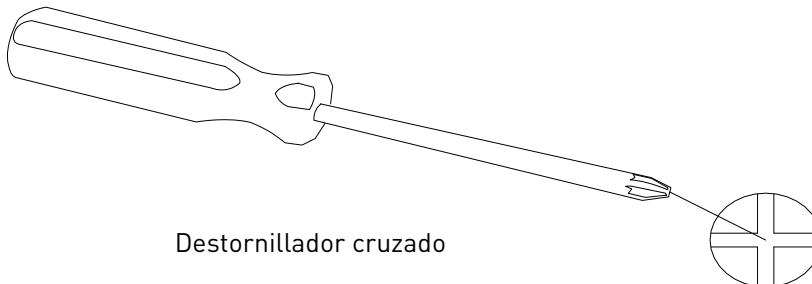
Montaje

El contenido del paquete de hardware

La siguiente tabla ilustra el desglose de los paquetes de hardware. Enfatiza los componentes utilizados en todas las etapas del ensamblaje.

Key	Picture	Description	Qty
A		1/4" x 15mm	12 pcs
B			5 pcs
C			2 pcs
D		1/4"	4 pcs
F		5/32" x 12mm	7 pcs

Montar las herramientas requeridas



Destornillador cruzado

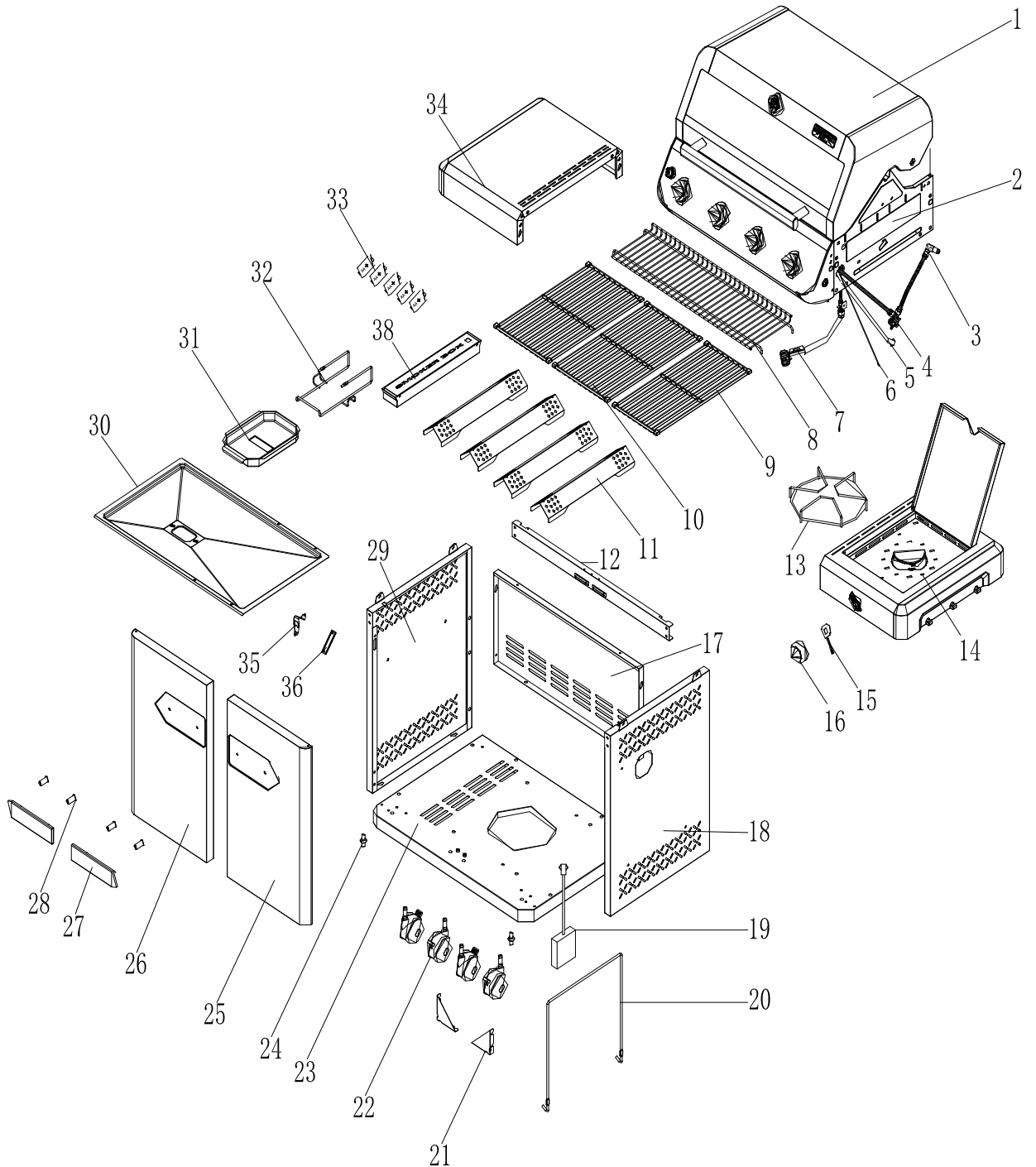
Destornillador cruzado (excluido).

Nota: Cuando se enfrenta a la parte delantera de la parrilla, los lados izquierdo y derecho de la parrilla están en sus lados izquierdo y derecho.

Montaje

Dibujos de ensamblaje

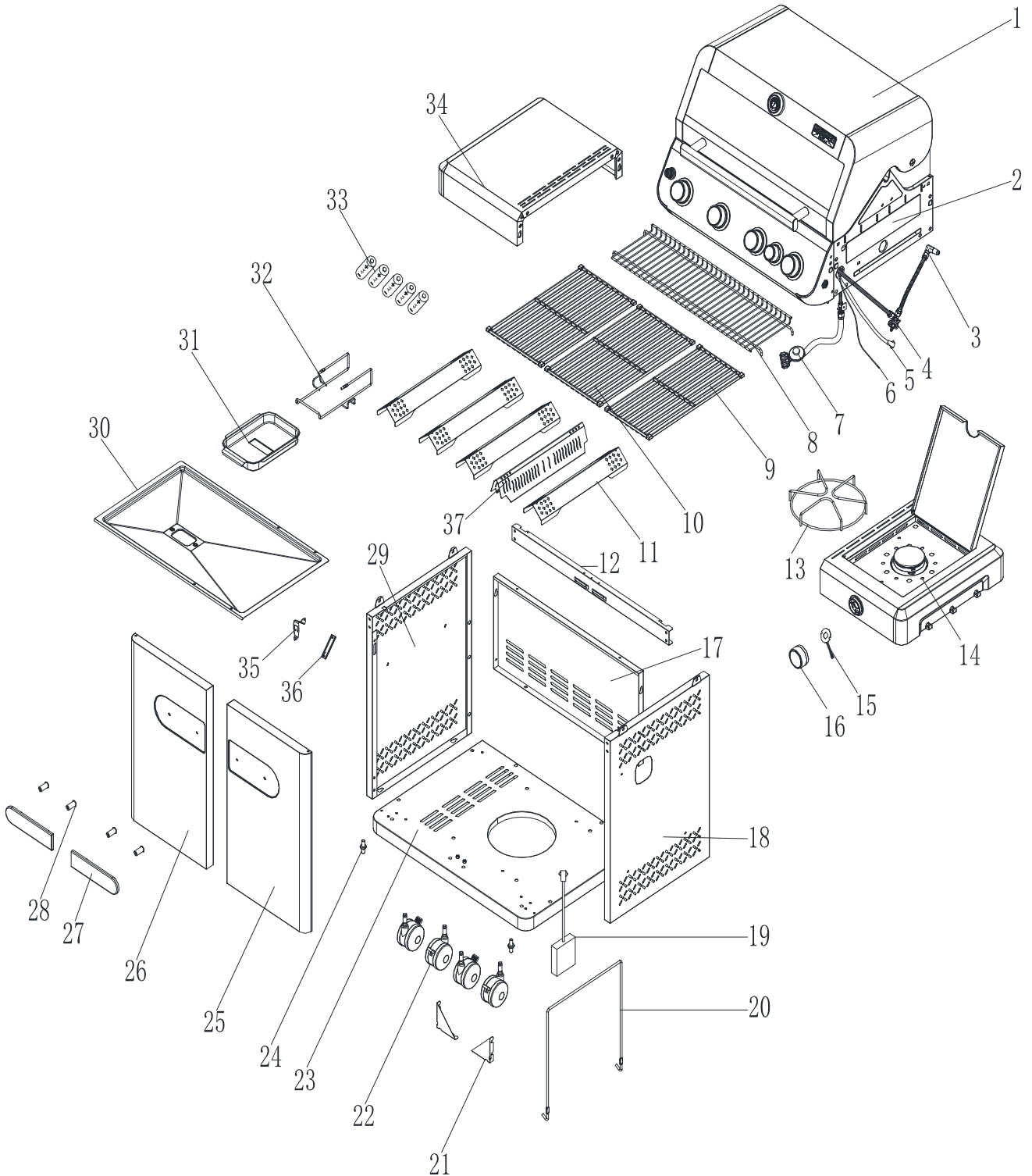
(M405/M405K/M425/M400S)



Montaje

Dibujos de ensamblaje

(M415BZ)



Montaje

Lista de ensamblaje

NO.	appellation	NO.	appellation
1	Kit de la tapa	20	Cable de sujeción del tanque de Gas
2	Montaje de chimen	21	Piezas de Unión triangulares
3	Asiento Nazzle	22	Fabricación en la cual:
4	Regulador del quemador Sider	23	Tablero de fondo del carro
5	Cable del Panel de lámparas del quemador lateral	24	Husillo debajo del Panel de la puerta
6	Cable de encendido de quemalateral	25	Puerta del gabinete, a la derecha
7	Kit regulador de LP	26	Puerta del gabinete, izquierda
8	Soporte de calentamiento	27	La puerta
9	Parrilla de cocina	28	Asiento del conductor
10	Parrilla de cocina	29	Panel del lado izquierdo del carro
11	Tamer de llama	30	Bandeja de grasa
12	Barra delantera para carros	31	Pan de grasa
13	Panes panes	32	Fabricación a partir de materias grasas
14	La derecha, en el estante lateral	33	Batería de batería
15	Panel de luz LED	34	izquierda
16	Mando de Control	35	Abrir la botella
17	El Panel trasero del carro	36	Retainer para abrir botellas
18	Panel lateral derecho del carro	37	Tamcontra llamas (sólo para M405BZ)
19	Caja de batería	38	Caja de ahumado (sólo para M405K)

Para asegurarse de obtener el reemplazo correcto de la parrilla de gas, consulte el número de parte en esta página. Guarde este manual de usuario para referencia y reemplazo de piezas.

Consejo importante: use solo las partes enumeradas anteriormente. Al pedir piezas, proporcione la siguiente información:

1. Modelo # '2. Descripción de la pieza 3. Número de piezas requeridas

Video de montaje



Mejora la experiencia de ensamblaje

- Escanee para ver el video de instalación.
- Por favor, consulte la guía de ensamblaje para armar su parrilla.

Montaje

Guía de montaje

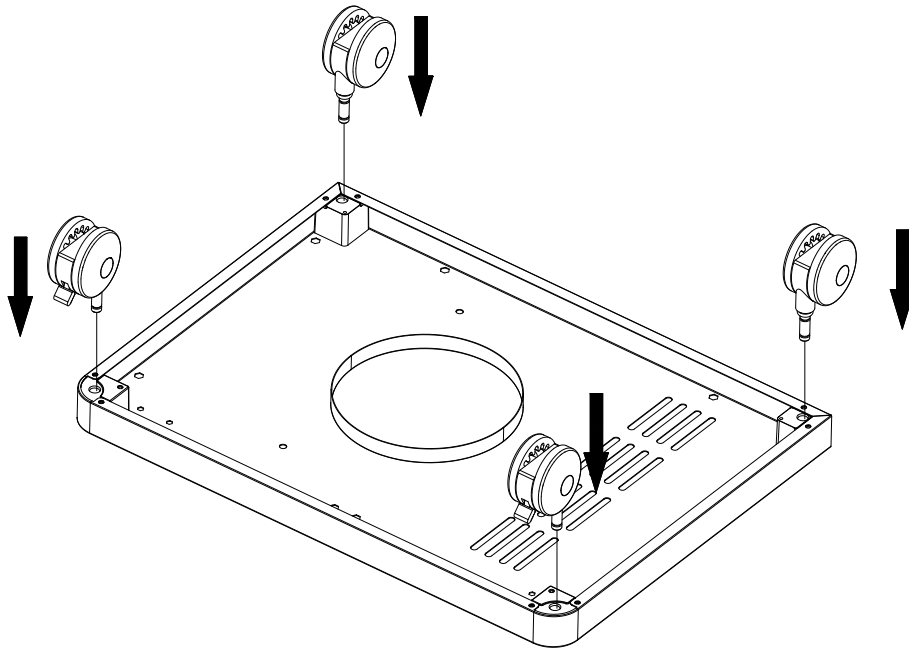


Figure 1

Por favor introduzca la rueda de cierre en el Panel inferior del carro.

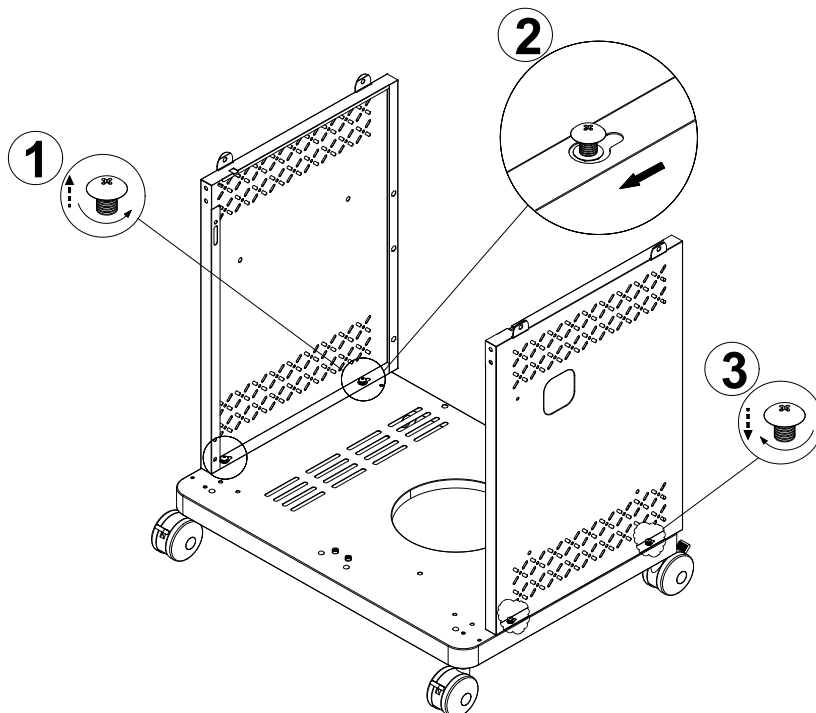
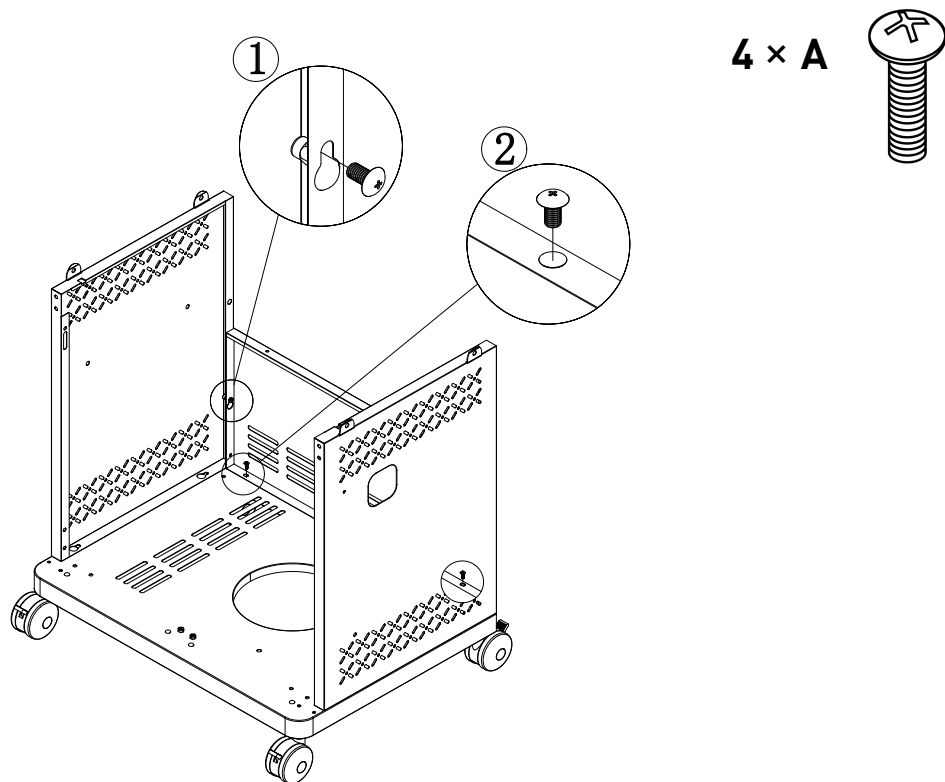


Figure 2

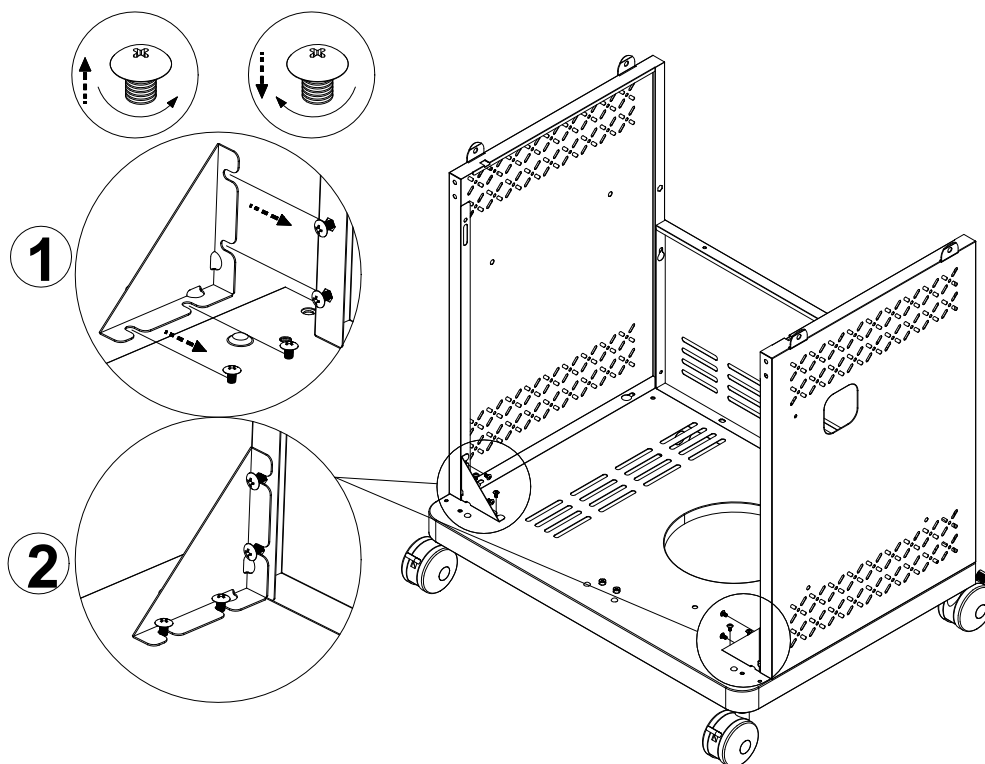
Medio atornillos de los tornillos en la placa inferior, a continuación, coloque el carro Panel lateral derecho y el carro Panel lateral izquierdo en los agujeros de tornillo correspondientes y atornílfirmente.

Montaje



Instale el Panel posterior del carro en el lugar correspondiente con cuatro tornillos A.

Figure 3

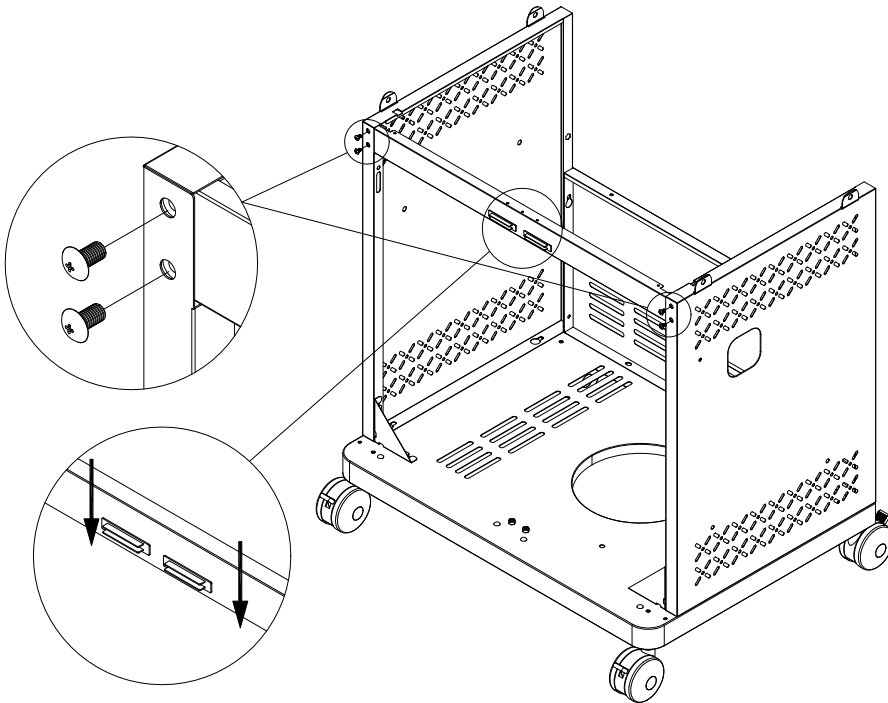
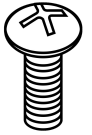


Medio atornillos de los tornillos en las placas inferior y lateral, a continuación, coloque las piezas de Unión de triángulo en los agujeros de tornos correspondientes y atornille firmemente.

Figure 4

Montaje

4 x F



Instale la barra delantera del carro en el lugar correspondiente con cuatro tornillos F. La atención: el imán hacia abajo.

Figure 5

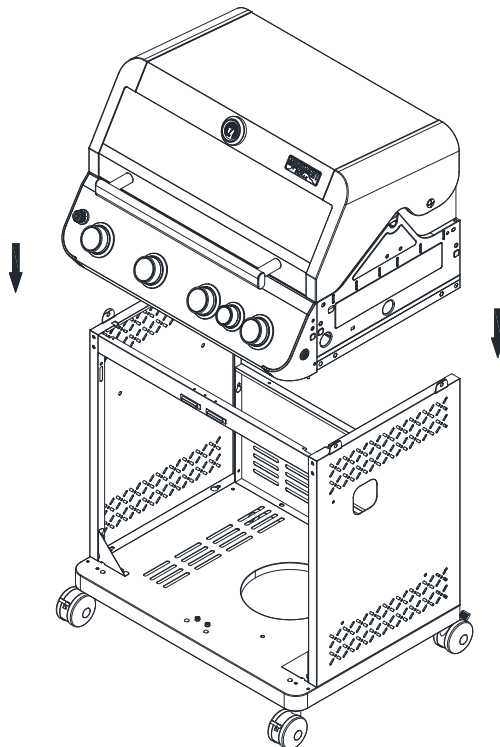
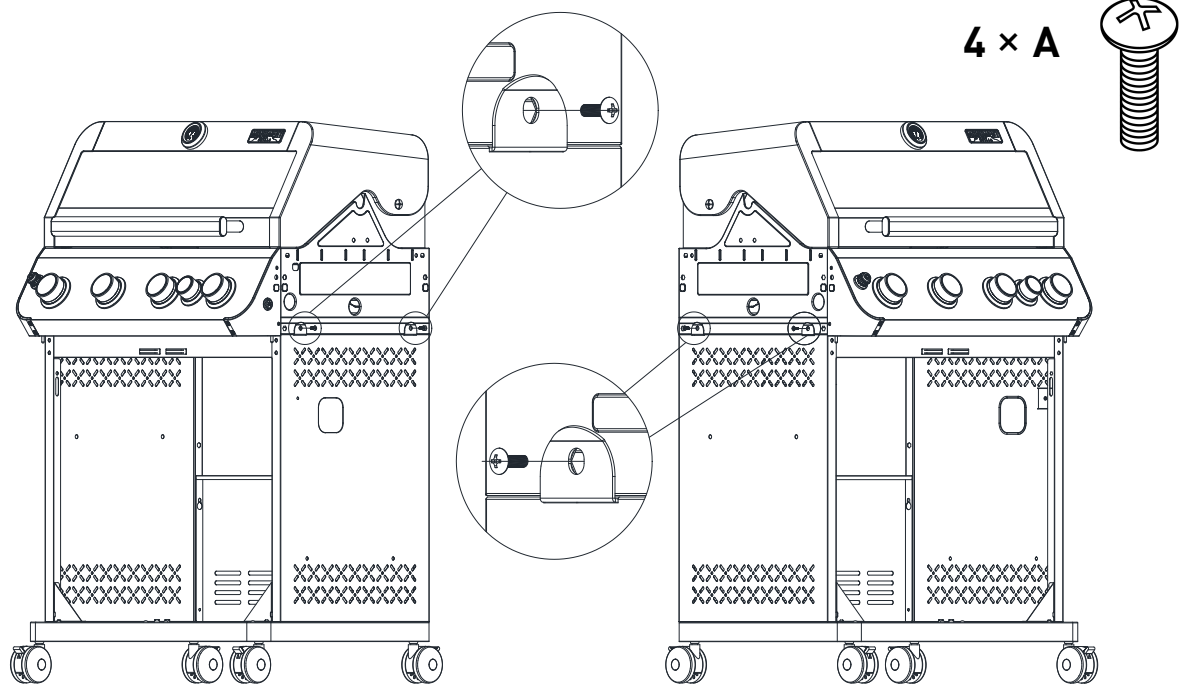


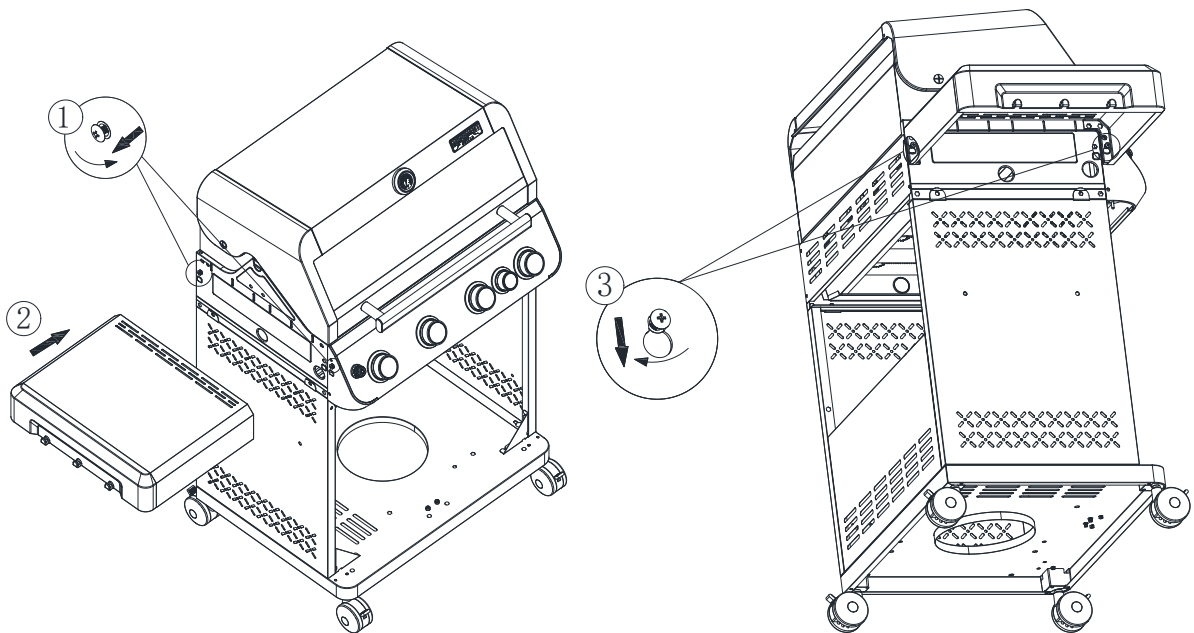
Figure 6

Montaje



Atornílfirmente el cuerpo de la parrilla y el carro con cuatro tornillos A .

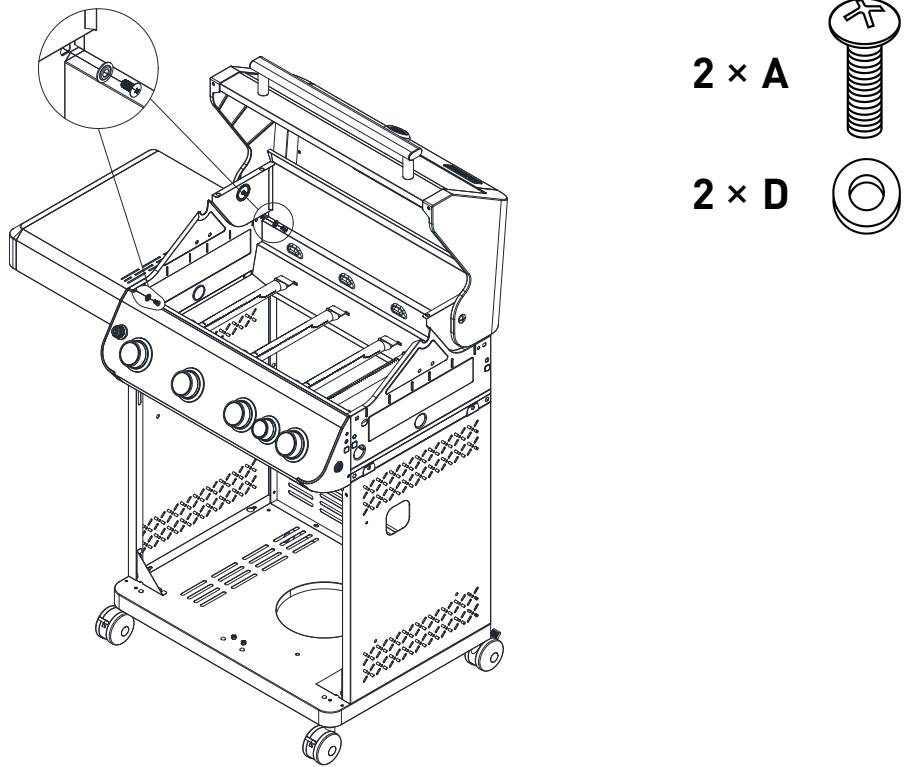
Figure 7



Medio atornílel fuera del tornillo en el cuerpo de la parrilla, a continuación, poner un estante lateral, a la izquierda en los agujeros de tornillo pertinentes y atornílfirmente.

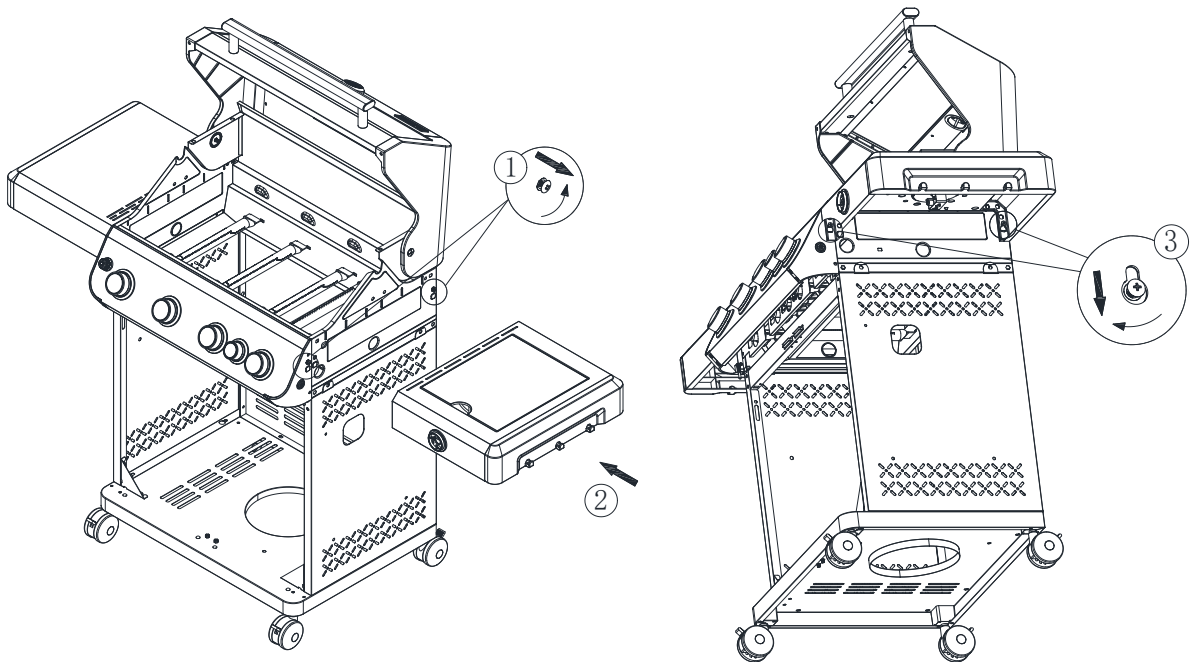
Figure 8

Montaje



Instalar estante lateral, A la izquierda en el cuerpo de la parrilla con A tornillo y D espaciador.

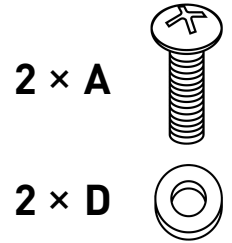
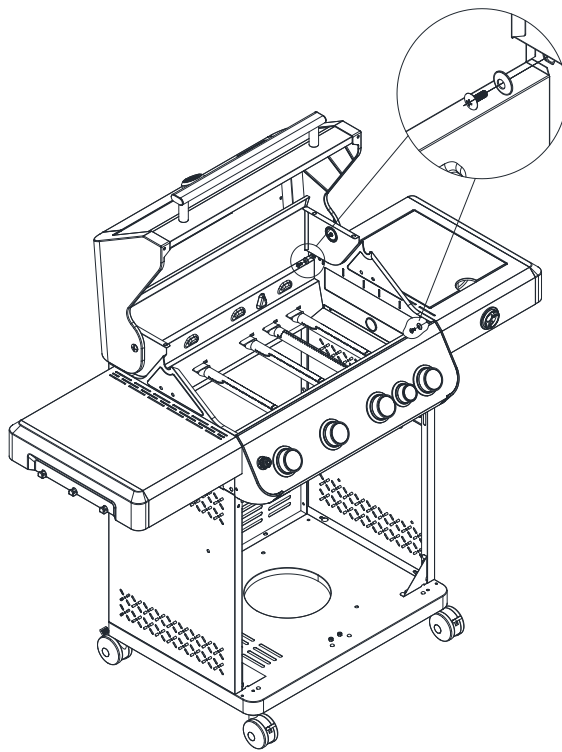
Figure 9



Medio atornillos fuera de los dos tornillos grandes fuera del cuerpo de la parrilla, a continuación, poner un estante lateral, a la derecha en los agujeros de tornillo pertinentes y atornilfirmemente.

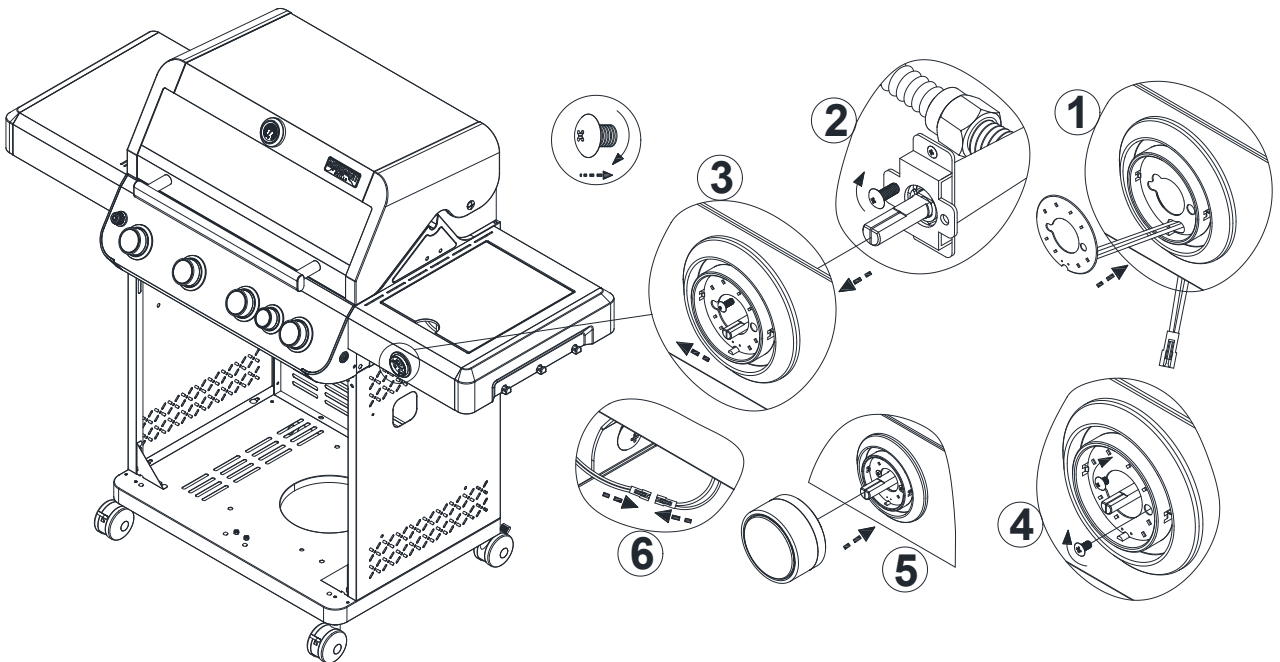
Figure 10

Montaje



Estante lateral de tornillo, bien apretado con A tornillo y espaciador D dentro del cuerpo de la parrilla.

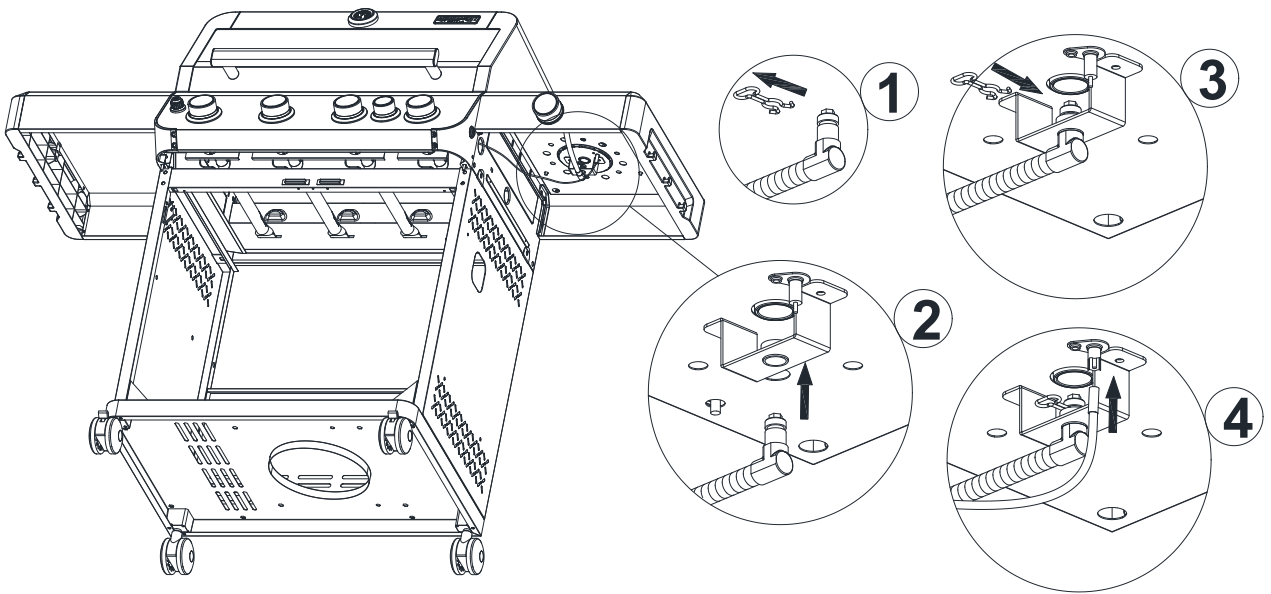
Figure 11



1. Inserte el estante lateral, a la derecha, el Panel LED y la perilla de Control como se muestra en la figura.
2. Inserte el alambre como se muestra en la figura.

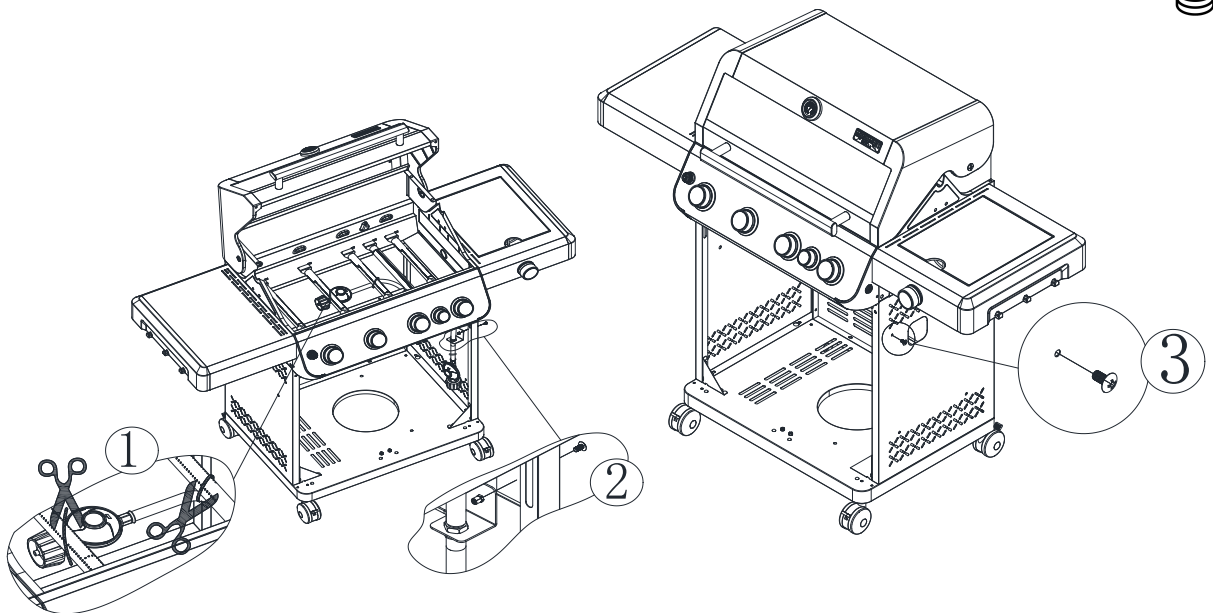
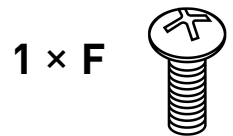
Figure 12

Montaje



Medio tornillo fuera del tornillo en el estante lateral, a la derecha, a continuación, ponerlo en el agujero y atornillarfirmemente.
Conecte el cable de encendido del quemador lateral.

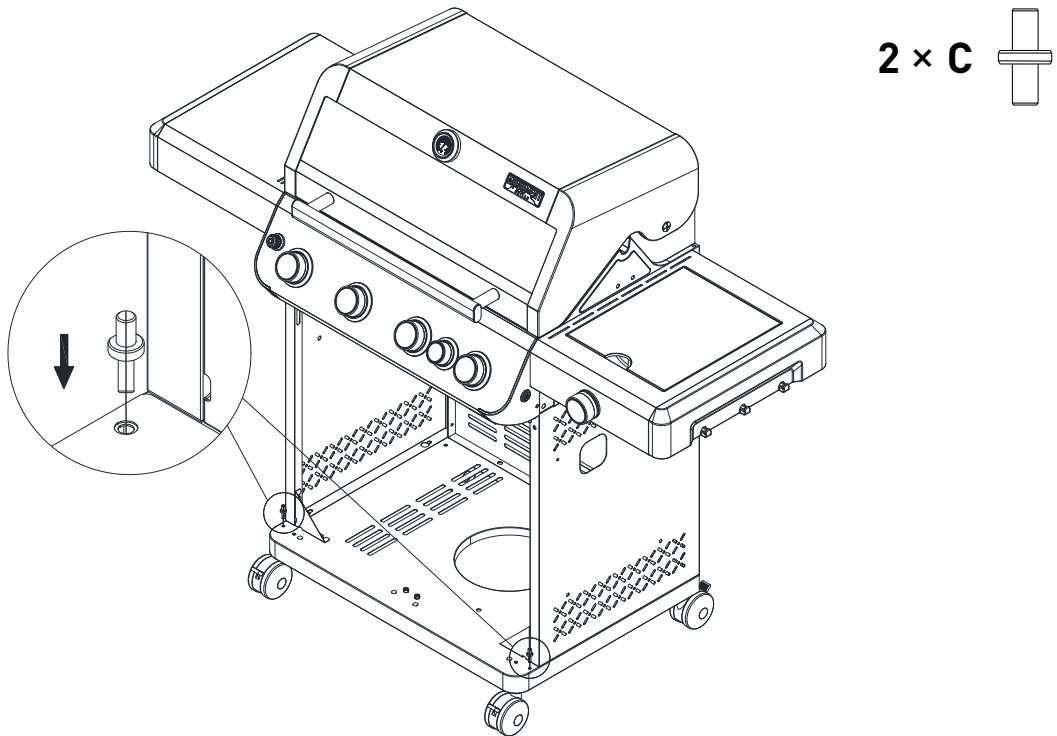
Figure 13



Regulador fijo pieza de conexión a la placa derecha con un equipo F.
Corte de dos cordones de plástico blanco.

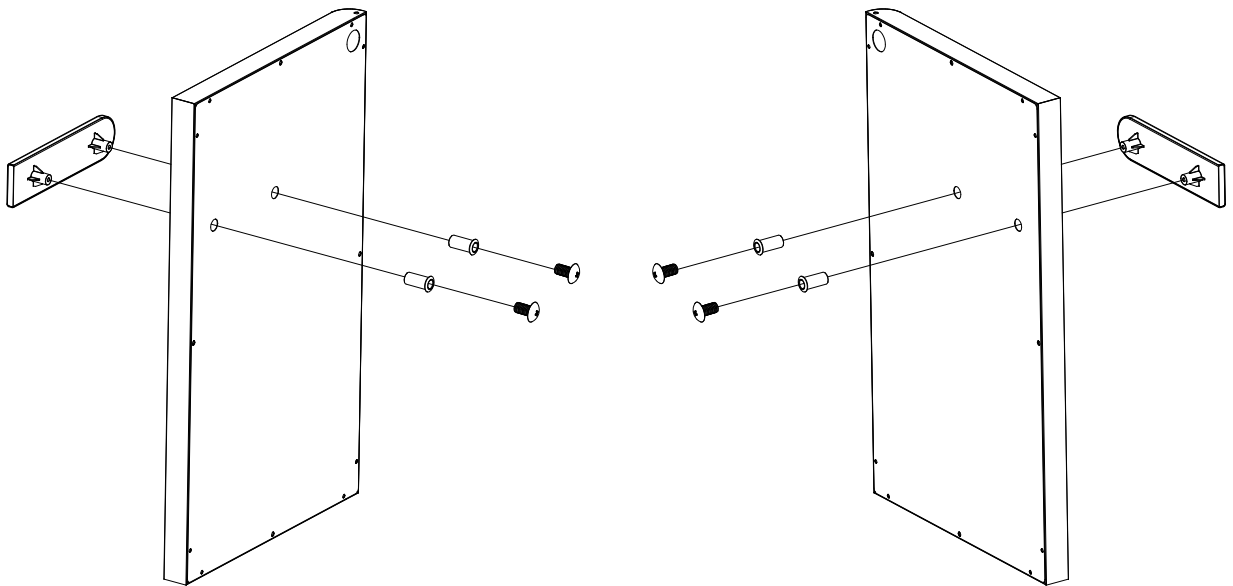
Figure 14

Montaje



Coloque el husillo debajo del Panel de la puerta en el agujero correspondiente en la placa inferior.

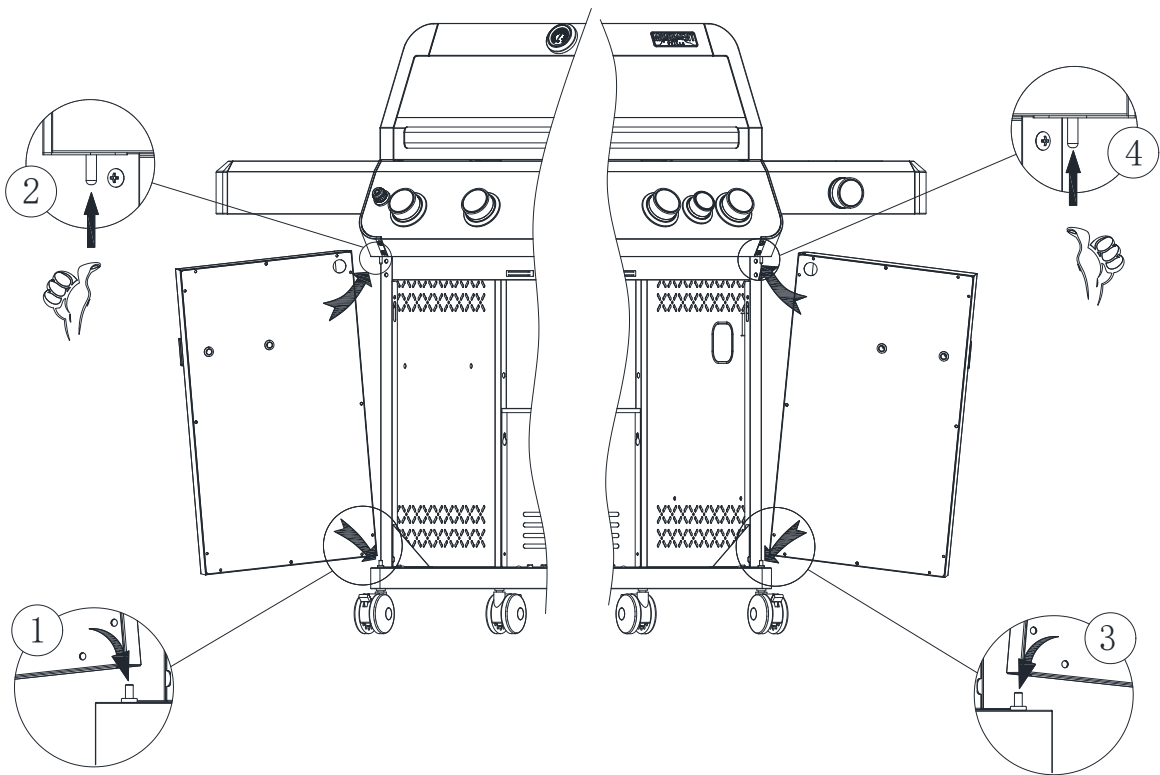
Figure 15



Instalar la manija de la puerta en la puerta del armario.

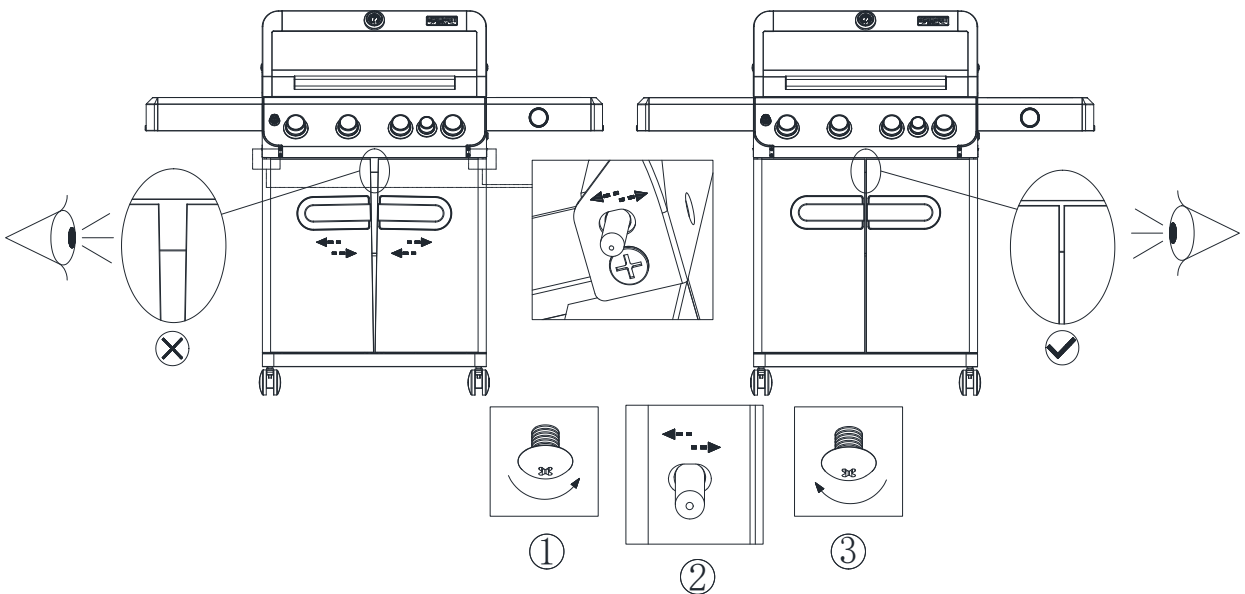
Figure 16

Montaje



Instale la puerta del armario en la parte inferior del carro.

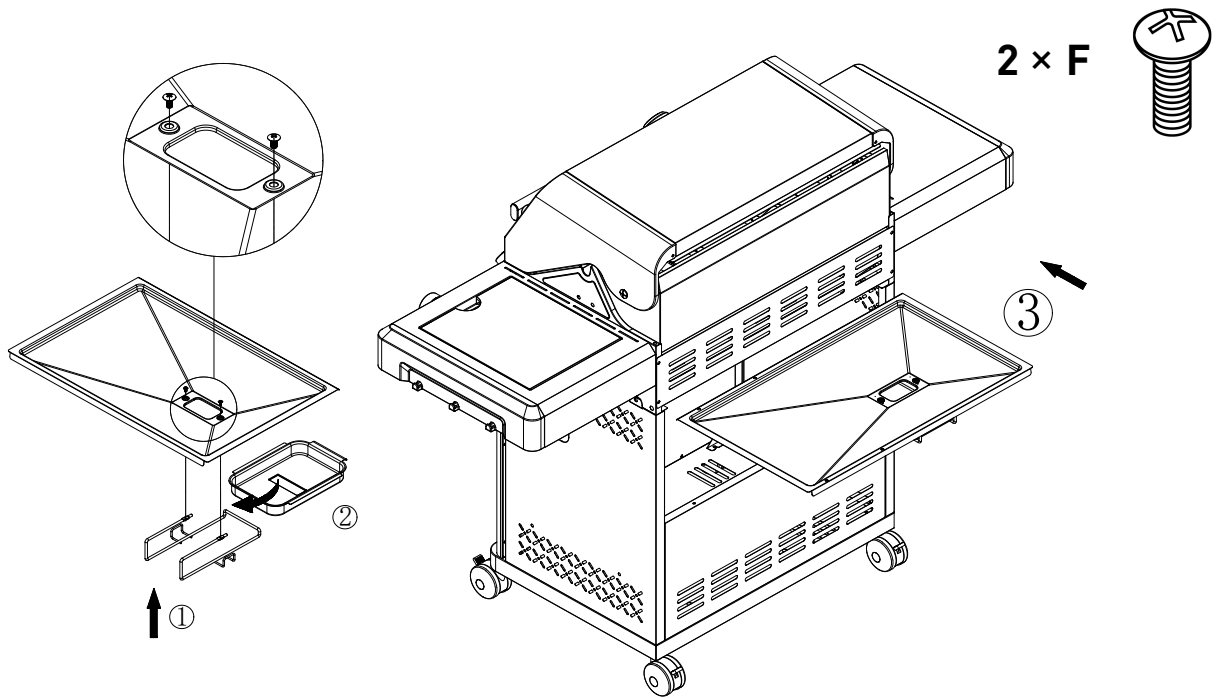
Figure 17



Método de ajuste de brecha de puerta.

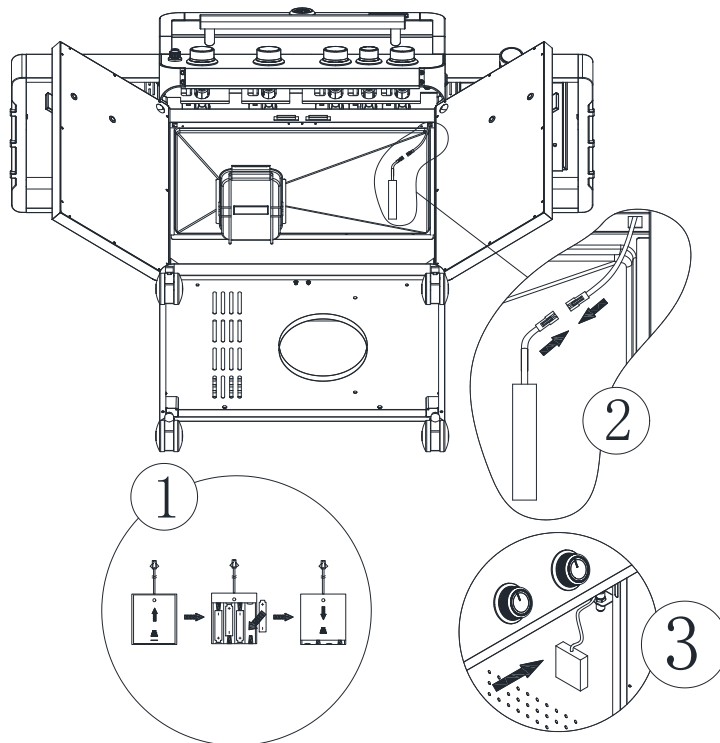
Figure 18

Montaje



1. Instalar la bandeja de grasa sobre el soporte de la sartén de grasa con dos tornillos F.
2. Poner la sartén de grasa en el soporte de la sartén de grasa.
3. Colocar la bandeja de grasa en el cuerpo de la parrilla.

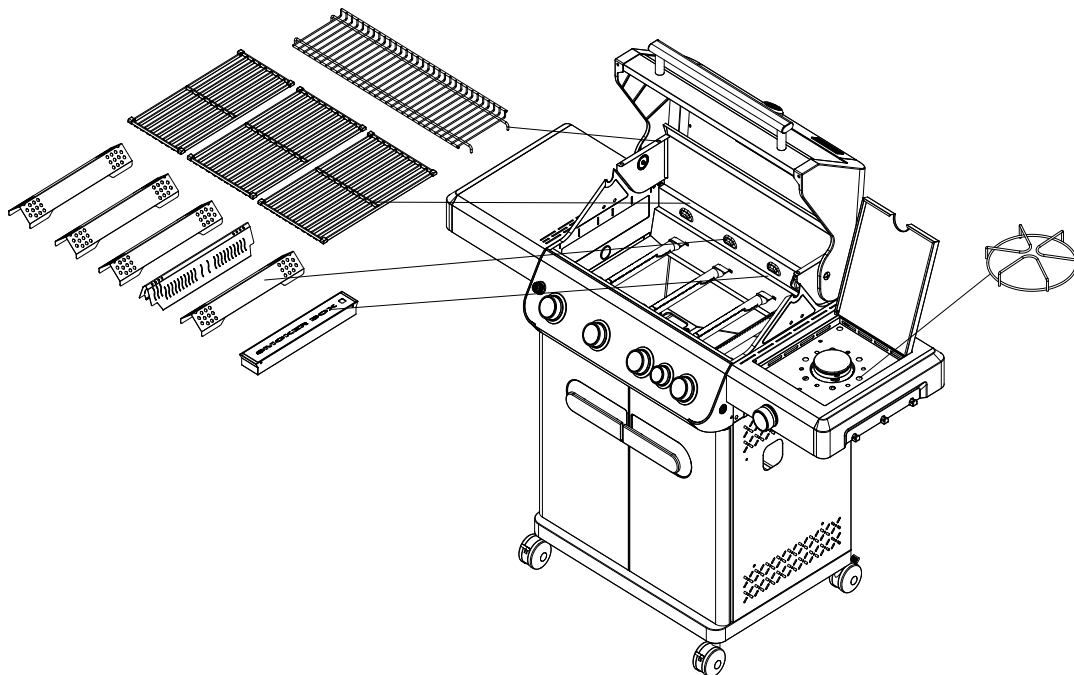
Figure 19



Conecte el cable de la batería.
Pegue la caja de la batería en el panel lateral.

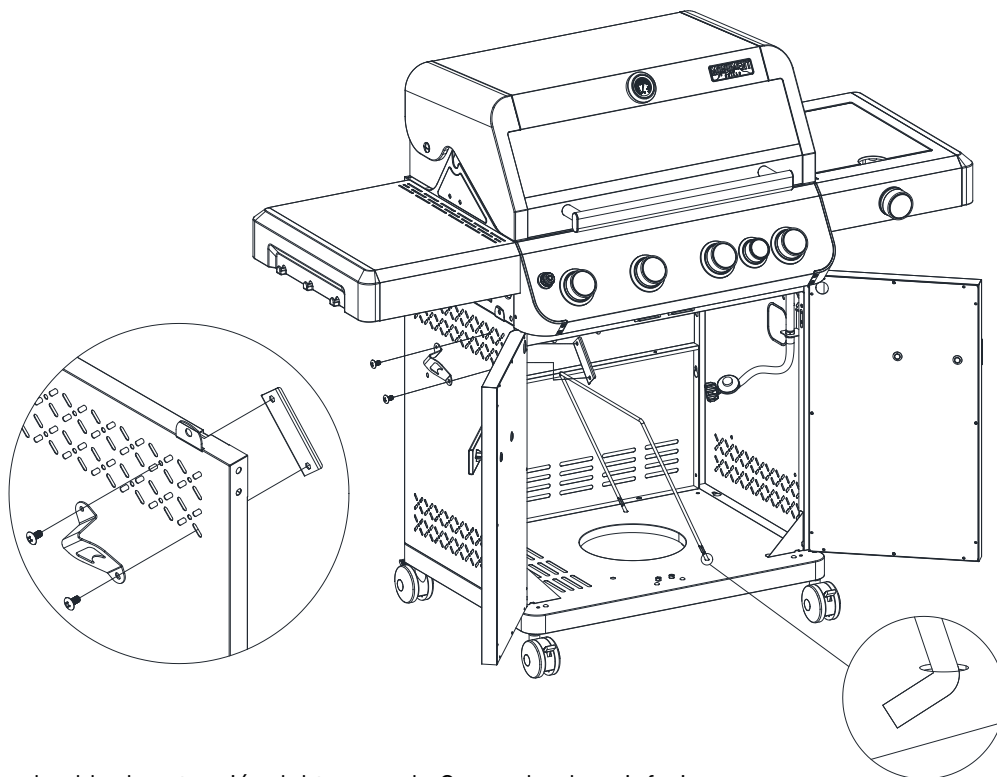
Figure 20

Montaje



Pongan en el lugar pertinente el calentador, la rejde cocción, el apagllama.

Figure 21

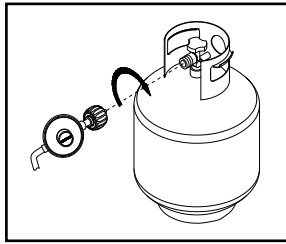


Instalar el cable de retención del tanque de Gas en la placa inferior.
Pase el abridor de botellas a través del Panel lateral izquierdo del carro y fijarlo en el retendel abribotellas.

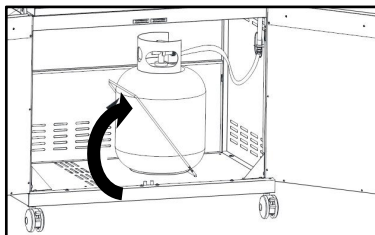
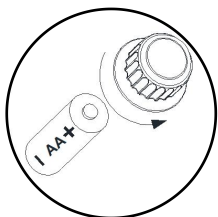
Figure 22

Comience

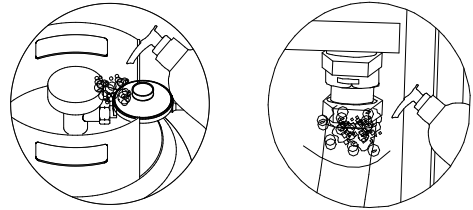
Conecte el tanque a la rejilla



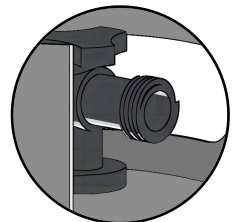
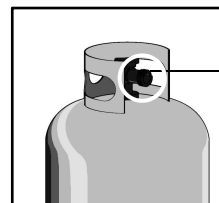
1. Coloque el anillo del pie del tanque de 20 libras en el orificio inferior. Asegúrese de que la válvula del tanque esté cerrada.
2. Verifique la válvula del tanque para asegurarse de que tenga un hilo de acoplamiento externo adecuado para que coincida con los conjuntos de manguera y regulador proporcionados.
3. Asegúrese de que todas las válvulas del quemador estén cerradas.
4. Verifique el puerto de conexión de la válvula y el conjunto del regulador. Busque daños o escombros. Eliminar cualquier fragmento. Verifique que la manguera esté dañada. No use equipo dañado o bloqueado.
5. Al conectar el regulador y el conjunto de la manguera a la válvula del tanque, apriete la tuerca de conexión rápida en el sentido de las agujas del reloj hasta que se detenga por completo. No apriete con una llave, ya que esto puede dañar la tuerca de conexión rápida y causar condiciones peligrosas.
6. Abra completamente la válvula del tanque (en sentido antihorario). Antes de intentar encender la parrilla, use una solución acuosa de jabón para verificar si todas las conexiones tienen fugas. Si se encuentra una fuga, cierre la válvula del tanque y no use la parrilla hasta que se repare la fuga.
7. Coloque el tanque y la batería como se muestra.



Verifique la fuga de gas licuado de petróleo



1. Haga una solución de jabón suave 50/50 (jabón/agua).
2. Gire la perilla de control a una posición completamente cerrada. Luego abra la caja de suministro.
3. Aplique una solución de jabón a todos los accesorios de gas con un cepillo limpio. Si aparecen más y más burbujas en la solución, la conexión no está sellada correctamente. Verifique cada accesorio, apriete o repare si es necesario.
4. Si tiene una fuga de conexión de gas irreparable, cierre el gas de la caja de suministro, desconecte la línea de combustible de la parrilla o póngase en contacto con el proveedor de gas para obtener ayuda de reparación.
5. La solución de jabón también se aplica a las costuras del tanque. Ver a continuación. Si aparecen más y más burbujas, apague el tanque, ¡no lo use ni lo mueva! Póngase en contacto con el proveedor de gas licuado de petróleo o el departamento de bomberos



⚠ de alerta temprana

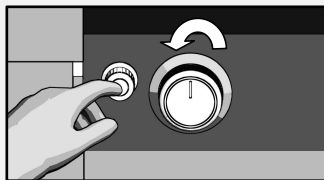
- No use fugas de prueba de llama. Debe verificar la fuga de gas antes del primer uso, al comienzo de cada temporada, o cada vez que reemplace un tanque de gas licuado de petróleo.
- Cuando el equipo no está en uso, el gas en el tanque de suministro debe cerrarse.
- Si se detecta una fuga en cualquier momento, ¡deténgase! Apague el gas de la fuente y corrija la fuga.

Operación

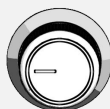
Instrucciones de iluminación del quemador principal

1. No fume cuando encienda la parrilla o verifique la conexión de suministro de aire.
2. Asegúrese de que el tanque de gas licuado de petróleo esté lo suficientemente lleno.
3. Asegúrese de que todas las conexiones de gas estén apretadas.
4. Abra el suministro de gas.
5. Abra la tapa principal de la parrilla y la cubierta del quemador lateral.
6. Empuje cualquier perilla del quemador principal a su posición máxima mientras mantiene presionado el botón de encendido electrónico durante 3 a 5 segundos y enciende el quemador. Cuando presiona el botón de encendido, debe escuchar el tic-tac. Si no puede escuchar el tic-tac, verifique la batería y verifique el cable.
7. Si el quemador no se enciende después de 5 segundos, gire la perilla hacia OFF. Apague el gas en el tanque de baja presión y espere 5 minutos para permitir que el gas se descargue. Luego abra el gas en el tanque y repita el paso 6.

Nota: Las luces de perilla vienen en dos colores en total, presione el interruptor de luz, y cuando la perilla se enciende, el estado de apagado es de color blanco, el estado de fuego es de color rojo, (igual que la luz de perilla del quemador lateral)



Blanco



Rojo

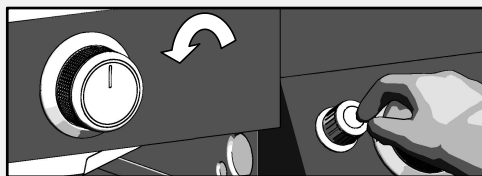


Rojo

Instrucciones de iluminación del quemador lateral

1. Abra completamente la cubierta del quemador lateral.
2. Presione y gire la perilla del quemador lateral hasta la posición máxima. Al mismo tiempo, mantenga presionado el botón de encendido electrónico de 3 a 5 segundos para encender el quemador.
3. Si el quemador lateral no se enciende después de 5 segundos, gire la perilla hacia OFF. Apague el gas en el tanque de baja presión y espere 5 minutos para permitir que el gas se descargue. Luego abra el gas en el tanque y repita el paso 2.
4. Si el quemador aún no está encendido, consulte la sección de iluminación coincidente en la página siguiente y si la parrilla aún no está encendida.

Nota: La iluminación ilustrada puede ser ligeramente diferente del modelo comprado.



⚠ cauteloso

Las arañas y los insectos pequeños ocasionalmente tejen o anidan en el tubo de combustión de la parrilla durante el transporte y el almacenamiento. Estas redes pueden hacer que el flujo de aire se obstruya, causando que el tubo del quemador se encienda y se encienda. Este tipo de fuego, conocido como "flash", puede causar daños graves a su parrilla y crear condiciones de funcionamiento inseguras para el usuario.

Aunque el bloqueo del tubo de combustión no es la única causa de "templado", es la causa más común. Para reducir las posibilidades de "templado", debe limpiar el tubo de combustión antes de ensamblar la parrilla y al menos una vez al mes a fines del verano y principios de otoño de la araña más activa. Si su parrilla no se ha utilizado durante mucho tiempo, también debe realizar este proceso de limpieza del tubo del quemador. Ver Limpieza y mantenimiento de tubos de quemadores limpios y puertos de quemadores.

Si hay "revenido" en y/o alrededor del tubo de combustión, siga las instrucciones a continuación. El incumplimiento de estas instrucciones puede provocar un incendio o explosión, lo que puede ocasionar lesiones personales graves, la muerte o daños a la propiedad.

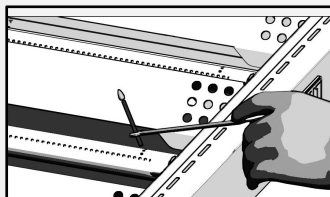
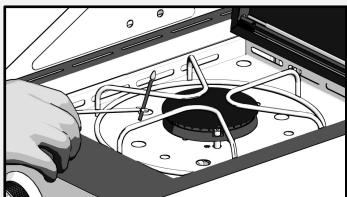
- Cierre el suministro de gas a la parrilla de gas.
- Gire la perilla de control para cerrar la posición.
- Apague cualquier llama con un extintor de incendios adecuado.
- Abra la tapa de la parrilla.
- Después de que la parrilla se haya enfriado, lave la estufa
- Tubo y quemador de acuerdo con la limpieza

⚠ de alerta temprana

- El hecho de no abrir la cubierta de la parrilla durante la iluminación puede provocar un incendio o explosión, lo que puede ocasionar lesiones personales graves, la muerte o daños a la propiedad.
- Cuando se enciende, mantenga siempre la cara y el cuerpo lo más lejos posible del quemador.
- Cuando encienda la parrilla de gas, no se incline sobre el área de cocción de la parrilla. Cuando encienda la parrilla con un fósforo, mantenga la cara y el cuerpo seguros (al menos 18 pulgadas) desde la superficie de la rejilla de cocina.
- Verifique la manguera de suministro de gas antes de "encender" el gas. Si hay signos de corte, desgaste o abrasión, debe reemplazarse antes de su uso. Si huele a carbón, no use quemadores laterales.

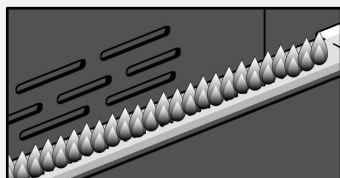
Iluminación de fósforo manual

1. Mueva la barra de luz con la mano.
2. Inserta un fósforo en la barra de iluminación.
3. Encienda el fósforo y extienda la barra de iluminación a la superficie de la rejilla de cocina.
4. Gire la perilla de control deseada a la configuración máxima para liberar el gas.
5. El quemador debe encenderse inmediatamente.



Inspección de la llama del quemador

Verifique visualmente la llama del quemador antes de cada uso. La llama debería verse como una imagen, de lo contrario, consulte el tubo del quemador de limpieza y el puerto del quemador, consulte la limpieza y el mantenimiento de este manual.



Nota: El zumbido se produce a través del flujo de aire normal a través del regulador y el conjunto de la manguera. El bajo nivel de ruido es completamente normal y no interfiere con el funcionamiento de la parrilla. Si el zumbido es fuerte y excesivo, es posible que deba eliminar el aire en la línea de gas o restablecer el dispositivo de flujo de exceso de gas del regulador. Cada vez que un nuevo tanque de gas licuado de petróleo está conectado a su parrilla, este proceso de limpieza debe llevarse a cabo.

Si la parrilla todavía no se puede encender

1. Verifique si el suministro de gas y la conexión son fugas. Verifique que todas las conexiones de cable sean seguras.
 2. Repita el programa de iluminación básico. Si su parrilla todavía no funciona, apague el gas de la fuente, gire la perilla de control hacia fuera y verifique lo siguiente:
 - **El tubo del quemador no está alineado en el orificio.**
Corrección: coloque el tubo del quemador en el orificio.
 - **El gasoducto está bloqueado.**
Corrección: retire la línea de combustible de la rejilla. No fumes! Abra el suministro de gas durante 1 segundo para eliminar cualquier obstáculo en la línea de combustible. Cierre la fuente de suministro de gas y vuelva a conectar la línea de combustible a la parrilla.
 - **El orificio está bloqueado.**
Corrección: retire el quemador de la parrilla y levante cuidadosamente cada quemador lejos del orificio de la válvula. Retire el orificio de la válvula y elimine suavemente cualquier obstáculo con un cable fino. Luego vuelva a instalar todos los orificios, quemadores y componentes de cocina.
 3. Si sospecha que la válvula está bloqueada, contáctenos.
 4. Si la parrilla aún no está encendida, es posible que deba eliminar el aire de la tubería de gas o restablecer el dispositivo de flujo de gas en exceso del regulador.
- Para eliminar el aire en la línea de gas y/o restablecer el dispositivo de flujo de gas en exceso del regulador, haga lo siguiente:**
- Gire la perilla de control para cerrar la posición.
 - Cierre el gas en la válvula del tanque.
 - Desconecte el regulador del tanque de gas licuado de petróleo.
 - Deje que el dispositivo permanezca por 5 minutos.
 - Vuelva a conectar el regulador al tanque de gas licuado de petróleo.
 - Abra lentamente la válvula del tanque hasta que esté abierta.
 - Abra la tapa de la parrilla.
 - Establezca la perilla de control para cerrar. Empuja cualquier perilla de control al máximo.
 - Gire la perilla de control al máximo hasta que todos los quemadores estén encendidos.
 - Puedes comenzar a usar la parrilla.

Instrucciones de cocina

Quemado

Antes de cocinar en su parrilla de gas por primera vez, querrá "quemar" la parrilla para eliminar cualquier olor o cuerpo extraño. Simplemente encienda el quemador, baje la tapa y opere la parrilla durante 3 a 5 minutos en configuraciones altas.

Temperatura de cocción

Configuración alta: use esta configuración solo cuando precaliente rápidamente, cocine a la parrilla el bistec o las costillas y queme los restos de comida en la parrilla después de que se haya completado la cocción. No use configuraciones altas para cocinar durante largos períodos de tiempo.

Configuración media y baja: la mayoría de las recetas especifican configuraciones medias y bajas, que incluyen todos los cigarrillos, la cocina a la parrilla y la carne magra para cocinar, como el pescado.

Nota: La configuración de temperatura varía con la temperatura exterior y el volumen de aire.

Cocina directa

El método de cocción directa se puede utilizar para proporcionar la rejilla de cocina, la comida directamente en la parrilla encendida. La cocción directa requiere una cubierta de parrilla. Este método es ideal para la barbacoa, cada vez que desee carne, aves de corral o pescado con un sabor a barbacoa de llama abierta. Frío y ahumado también son las mejores formas de cocinar porque requieren calentamiento directo.

Cocina indirecta

Para cocinar indirectamente, la comida debe colocarse a la izquierda o a la derecha de la parrilla y el quemador debe encenderse en el otro lado. La cocina indirecta debe estar cubierta.

Emergencias

Las gotas de grasa y jugo en los alimentos a la parrilla pueden causar una enfermedad repentina. Desde entonces La llama le da a la comida un sabor y color únicos y únicos

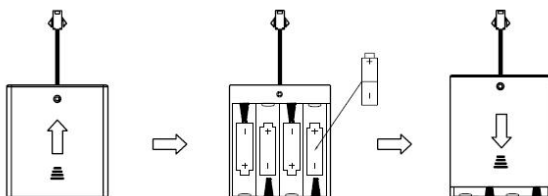
Fuego abierto, deberían ser aceptados hasta cierto punto. Sin embargo,

La combustión incontrolada puede llevar a la destrucción de una comida.

Cambiar la batería

Si el LED no es brillante, reemplace la batería. Reemplace la batería LED.

1. Encuentra la caja de la batería, abre la tapa.
2. Coloque la batería 4pcs "AA", la batería es positiva y negativa
3. Debe ser lo mismo que el poste en la caja.
4. Cierre la tapa.



⚠ de alerta temprana

No cubra la ranura, el orificio o el canal en la parte inferior del horno, ni cubra todo el estante con papel de aluminio y otros materiales.

Hacerlo evitará que el aire pase a través del horno y puede causar envenenamiento por monóxido de carbono.

El forro de papel de aluminio puede retener el calor, causando un incendio.

⚠ cauteloso

La marca muestra que en todo Estados Unidos, el producto no debe eliminarse con otros desechos domésticos. Para evitar que la eliminación de desechos no controlados pueda dañar el medio ambiente o la salud humana, los desechos se recuperan de manera responsable para promover la reutilización sostenible de los recursos materiales. Para devolver su equipo usado, use el sistema de devolución y recolección o póngase en contacto con el minorista que compró el producto. Pueden usar este producto para la recuperación de la seguridad ambiental.

Instrucciones de cocina

Para garantizar la seguridad de los alimentos, los alimentos deben cocinarse a las temperaturas internas más bajas enumeradas en la siguiente tabla.

USDA * Temperatura interna mínima segura	
Pescado	145 ° F
Cerdo	160 ° F
Placa de huevo	160 ° F
Filete y carne asada, ternera o cordero	145 ° F
Carne picada, ternera o cordero	160 ° F
Aves de corral enteras (pavo, pollo, pato, etc.)	165 ° F
Aves de corral (pechuga de pollo, etc.) molidas o cortadas	165 ° F

* USDA

Comida	Peso o grosor	Temperatura	Tiempo	Nota especial y consejos
Vegetales	/	En	8 a 20 minutos	Rebanar o cortar verduras, espolvorear con mantequilla o margarina. Envuelto con papel de aluminio grueso. La parrilla gira ocasionalmente.
Patatas	En general	En	40 a 60 minutos	Embalado por separado con papel de aluminio pesado. Ocasionalmente se turnan para cocinar.
Carne/bistec	De 1/2 a 3/4 pulgadas	Alto-en	4 a 15 minutos	Precalentar la parrilla durante 15-20 minutos y luego freír el bistec durante dos minutos en ambos lados. A continuación, hornee de 3 a 5 minutos en cada lado, o hornee hasta el nivel deseado de maduración.
Carne picada	De 1/2 a 3/4 pulgadas	En	8 a 15 minutos	Cuando el jugo flota en la superficie, la parrilla gira una vez o hasta que alcanza el nivel deseado de madurez. No dejes las hamburguesas desatendidas, porque las emergencias pueden suceder pronto.
Costillas	1/2 o rack completo	En	20 a 40 minutos	La parrilla gira ocasionalmente. Cepille la salsa de barbacoa en los últimos minutos y voltee varias veces.
Perro caliente	/	En	5 a 10 minutos	La parrilla gira cuatro veces. Ambos lados 2-4 minutos.
Carne de ave	1/4 a 1/2 libra	Bajo o medio	20 a 40 minutos	La parrilla gira ocasionalmente. En los últimos minutos, si es necesario, cepille la salsa de barbacoa y voltee varias veces.
Toda la ave de corral	2 a 3 libras	Bajo	1 a 1-1/2 horas	Use estantes y cepillos de aves de corral con frecuencia según sea necesario
		En	40 a 60 minutos	Use estantes y cepillos de aves de corral con frecuencia según sea necesario
Pescado	3/4 a 1 pulgada	En	8 a 15 minutos	La parrilla se voltea una vez hasta el grado de madurez deseado. Cepille la mantequilla derretida, la margarina o el aceite.

Limpeza y mantenimiento

Limpeza la rejilla de cocina

Recomendamos que limpie la rejilla de cocina con jabón suave y solución acuosa. Puede limpiar su rejilla de cocina con un trapo o cepillo suave.

Limpeza el radiador

Debe limpiar regularmente el radiador con agua tibia y jabón. Use un cepillo suave para eliminar los obstinados residuos de cocción carbonizados. El radiador debe estar seco antes de reinstalarlo.

Limpeza la bandeja de grasa

Las bandejas de grasa deben vaciarse y limpiarse regularmente y limpiarse en limpiadores suaves y soluciones acuosas calientes. Se puede colocar una pequeña cantidad de arena o arena para gatos en la parte inferior de la bandeja de grasa para absorber la grasa. Verifique regularmente la bandeja de grasa, no permita que el exceso de grasa se acumule y desborde la bandeja de grasa.

Limpeza el interior de la rejilla

Quema la parrilla después de cada uso y prepárate para el próximo uso. Sin embargo, debe limpiar a fondo toda la parrilla una vez al año para mantener su funcionamiento óptimo. Siga estos pasos.

1. Gire todas las válvulas del quemador a una posición completamente cerrada.
2. Gire la válvula del tanque de gas licuado de petróleo a una posición completamente cerrada.
3. Retire la manguera de gas licuado de petróleo y el conjunto del regulador de la parrilla de gas. Verifique si hay algún daño y, si es necesario, reemplace el número de pieza con el fabricante en la lista de piezas.
4. Retire y limpie el radiador, cocine la rejilla y el quemador de la parrilla.
5. Cubra cada orificio con papel de aluminio.
6. Cepille el interior y el fondo de la parrilla con un cepillo de nylon y lave con jabón suave y una solución acuosa caliente. Enjuague bien y seque.
7. Retire el papel de aluminio y vuelva a instalar el difusor térmico y la rejilla de cocina.
8. Vuelva a conectar la fuente de gas y observe si la llama del quemador está funcionando correctamente.

Limpeza la superficie exterior

Recomendamos que limpie la parrilla con jabón suave y solución acuosa caliente. Puede usar trapos o esponjas para completar este proceso. No use abrasivos o cepillos que puedan eliminar la pintura durante la limpieza. El acero inoxidable exterior limpio y el calor extremo harán que la superficie externa de acero inoxidable se vuelva bronceada. El aceite utilizado en el proceso de fabricación de acero inoxidable también puede causar este color

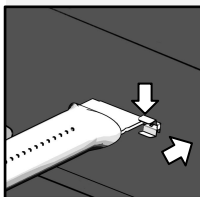
bronceado. Use detergente de acero inoxidable para pulir la superficie de acero inoxidable de la parrilla. No use limpiadores o depuradores abrasivos porque arañan y dañan su parrilla.

Limpeza el tubo y el puerto del quemador

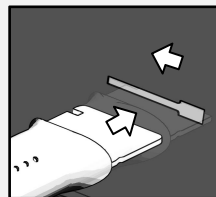
Para reducir las posibilidades de "flash", debe seguir el siguiente procedimiento al menos una vez al mes cuando la araña está más activa a fines del verano y principios del otoño, o cuando su parrilla no está en uso.

Por un tiempo

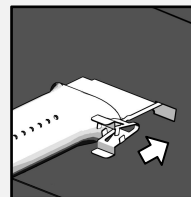
1. Gire todas las válvulas del quemador y del tanque de gas a la posición cerrada.
2. Retire el conjunto del regulador de gas licuado de petróleo de la parrilla de gas.
3. Retire la rejilla de cocina, el radiador y la bandeja de grasa de la parrilla.
4. Retire los tornillos en la parte inferior de cada quemador y levante el quemador hacia arriba, lejos del orificio de la válvula.
5. Use un gancho, una manguera de aire o una línea dura curva en forma de cepillo de botella para atravesarlo a través del tubo del quemador y ejecutarlo varias veces en el interior para eliminar los desechos.
6. Reemplace el quemador, vea la imagen a continuación.



Paso 1



Paso 2



Paso 3

Independientemente del procedimiento de limpieza del quemador que utilice, le recomendamos que también complete los siguientes pasos para ayudar a extender la vida útil del quemador.

1. Use una almohadilla de fibra o un cepillo de nylon para limpiar toda la superficie exterior de cada quemador hasta que no haya residuos de alimentos ni suciedad.
2. Limpie cualquier puerto obstruido con un hilo duro, como un clip abierto.
3. Verifique si cada quemador está dañado (grietas o agujeros) y ordene e instale un nuevo quemador si se encuentra dicho daño. Después de la instalación, verifique para asegurarse de que el orificio de la válvula se coloque correctamente en el extremo del tubo del quemador.

Solución de problemas

Llamar al servicio antes

Si la parrilla no funciona correctamente, use la siguiente lista de verificación antes de solicitar el mantenimiento.

Debe verificar el quemador al menos una vez al año o verificar inmediatamente después de cualquiera de las siguientes condiciones:

Problema	Que hacer
Al girar la perilla de control, la parrilla no se iluminará.	<ul style="list-style-type: none">• Verifique si el tanque de combustible de baja presión está vacío.• Limpie los cables y/o electrodos con alcohol y hisopos de algodón limpios.• Limpie con un paño seco.• Asegúrese de que el cable esté conectado al conjunto del electrodo.• Verifique si otros quemadores están funcionando. De ser así, verifique si los orificios de gas en el quemador fallido están obstruidos.
La llama del quemador es amarilla o naranja Acompañado por el olor del gas.	<ul style="list-style-type: none">• Ver Limpieza y mantenimiento de tubos de quemadores limpios y puertos de quemadores.• Si el problema persiste, contáctenos.
La perilla está en la posición más alta cuando el calor es bajo.	<ul style="list-style-type: none">• La manguera de combustible está doblada o doblada?• Parrilla en el lugar polvoriento?• Hay suficiente suministro de gas natural?• Si solo un quemador se ve bajo, ¿necesita limpiar el orificio o el quemador?• Suministro de gas o baja presión?
La luz de la perilla no funciona	<ul style="list-style-type: none">• La luz de La perilla no funciona funciona de que usted tiene las baterías comodamente en La caja de batería.• Echa un vistazo a las instrucciones de montaje para montar la luz de perilla, y gastrese de que está conectado a la caja de la batería.• A continuación, pulso el impulso de luz en el panel de control, y ver la perilla se enciende en Blanco.



WWW.MNUMENTGRILLS.COM



FACEBOOK

Únase a nuestro grupo de estilo de vida Monumentgrills y reciba beneficios exclusivos como cup, recetas y regalos compartidos dentro del grupo.

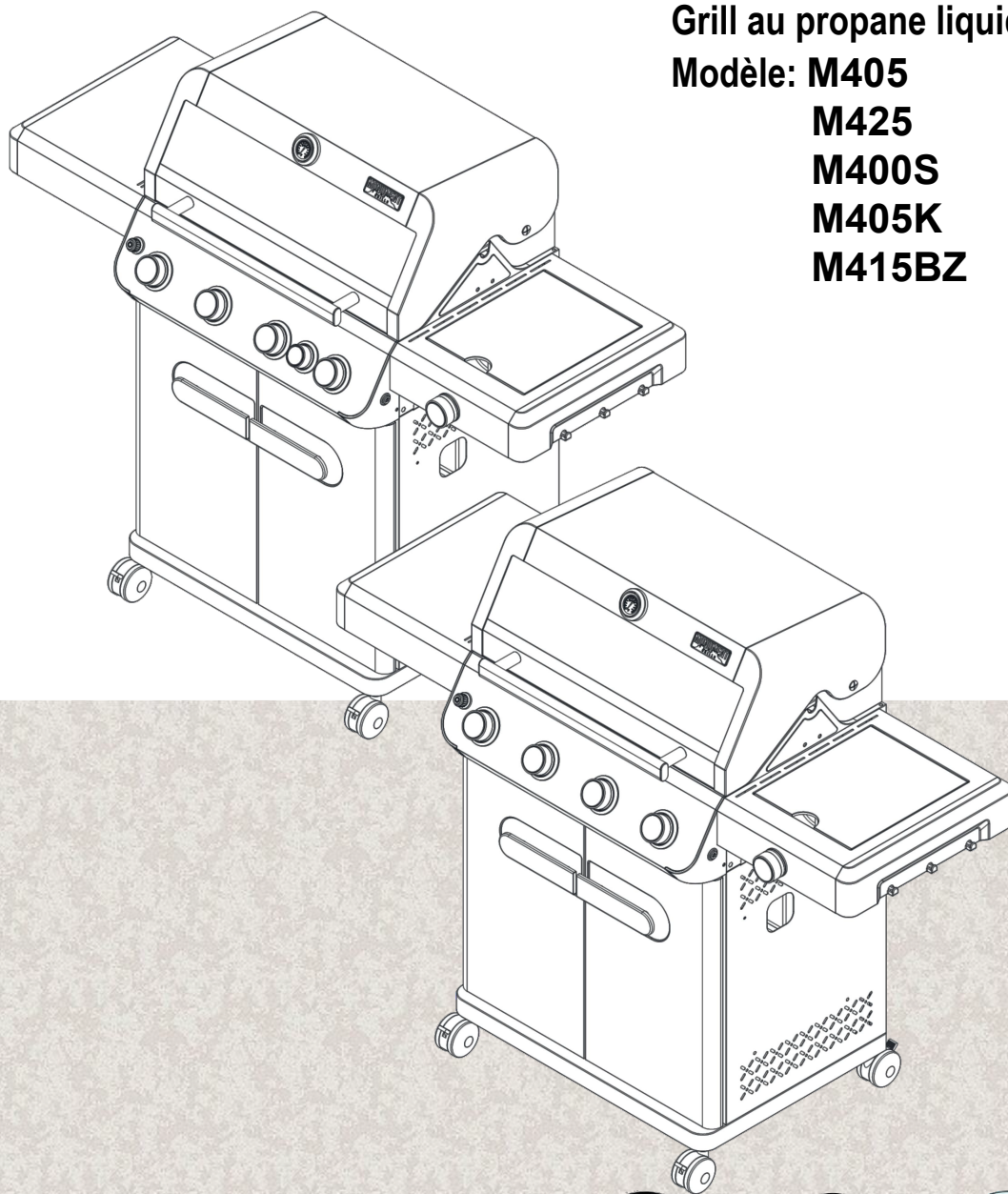
**Línea directa de servicio al
cliente**

1-800-530-9133

Instructions de montage et de fonctionnement



Mesa series



Grill au propane liquide

Modèle: M405

M425

M400S

M405K

M415BZ

Considérations pour l'installateur

Après la livraison et l'installation, laissez ce manuel d'utilisation au client.

Information Des Consommateurs

Conservez ce manuel d'utilisation dans un endroit pratique pour référence future.



Bienvenue au Monument Grill

Lisez attentivement ce manuel d'utilisation pour vous assurer que votre barbecue à gaz est correctement assemblé, installé et entretenu. Le non-respect de ces instructions peut entraîner des blessures graves ou des dommages matériels.

Renseignements importants sur la sécurité

Les mentions de danger, d'avertissement et de précaution sont utilisées dans ce manuel d'utilisation pour souligner les informations clés et importantes. Lisez et suivez ces énoncés pour assurer la sécurité et prévenir les dommages matériels. Ces déclarations sont définies ci-dessous.

Danger de ⚠: Indique une situation dangereuse qui, si elle n'est pas évitée, entraînera la mort ou des blessures graves.

⚠ avertit: indique une situation dangereuse qui, si elle n'est pas évitée, peut entraîner la mort ou des blessures graves.

⚠ avertit: Indique une situation dangereuse qui, si elle n'est pas évitée, peut entraîner des blessures mineures ou modérées.

⚠ Danger

Si vous sentez le gaz:

- **Coupez l'alimentation en gaz des appareils électriques.**
- **Éteignez toute flamme nue.**
- **Ouvrez le couvercle.**
- **Si l'odeur persiste, éloignez-vous de l'appareil et appelez immédiatement votre fournisseur de gaz ou le service d'incendie.**

⚠ Alerte rapide au

- **Ne stockez pas ou n'utilisez pas d'essence ou d'autres liquides ou vapeurs inflammables à proximité de cet équipement ou de tout autre équipement.**
- **Les bouteilles à basse pression qui ne sont pas raccordées pour être utilisées ne doivent pas être stockées à proximité de cet équipement ou de tout autre équipement.**

- Les sous-produits de combustion produits lors de l'utilisation de ce produit contiennent des produits chimiques connus en Californie pour provoquer le cancer, des malformations congénitales ou d'autres dommages à la reproduction.

⚠ Alerte rapide au

- N'installez pas ce barbecue à gaz extérieur dans un véhicule récréatif ou un bateau.
- La position du tube du brûleur par rapport à la plaque à orifice est essentielle pour un fonctionnement sûr. Avant d'utiliser un grill à gaz, vérifiez que le trou est dans le tube de combustion. Si le tube du brûleur n'est pas monté sur le trou de soupape, l'allumage du brûleur peut provoquer une explosion et/ou un incendie.
- Ne pas entraver le flux d'air de combustion et de ventilation. Vérifiez avant chaque utilisation du grill.
- Gardez la zone extérieure du barbecue à gaz propre et exempte de matériaux combustibles, d'essence et d'autres vapeurs et liquides inflammables.
- N'utilisez jamais de barbecue à gaz dans un garage, un porche, un hangar, un couloir ou toute autre zone fermée. Votre barbecue à gaz ne peut être utilisé qu'à l'extérieur, à au moins 24 pouces de l'arrière et des côtés de toute surface combustible. Votre barbecue à gaz ne doit pas être utilisé sous des bâtiments combustibles surélevés.
- N'utilisez pas ce grill à moins que toutes les pièces ne soient en place et que le grill ait été correctement assemblé conformément aux instructions de montage.
- Ne construisez pas ce modèle de grill avec une structure intégrée ou coulissante.
- Votre grill va devenir très chaud. Ne vous penchez jamais sur la zone de cuisson lorsque vous utilisez le grill. Ne touchez pas la surface de cuisson, le boîtier du grill, le couvercle ou tout autre composant du grill lorsque le grill fonctionne ou avant qu'il ne refroidisse après utilisation. Le non-respect de ces instructions peut entraîner des lésions corporelles graves.
- Ne déplacez pas l'appareil (grill) pendant l'utilisation.
- Ne laissez jamais le grill sans surveillance pendant le préchauffage ou l'utilisation. Soyez prudent lorsque vous utilisez ce grill. Toute la boîte de cuisson devient chaude lorsqu'elle est utilisée.
- Les parties accessibles peuvent être très chaudes. Éloignez les enfants.

Spécifications d'installation de la grille

L'installation doit être conforme aux codes locaux ou, à défaut, aux codes nationaux ANSI Z 223.1/NFPA S4 pour le gaz, CSA B149.1 pour l'installation du gaz naturel et du propane ou B149.2 pour le stockage et la manutention du propane, ou aux normes ANSI A 119.2 pour les véhicules récréatifs et CSA Z240 pour les véhicules récréatifs de la série RV (le cas échéant).

Nous contacter

Entrez en contact! Nous aimerions avoir de vos nouvelles, veuillez utiliser le formulaire pour nous envoyer vos informations ou idées.

Courriel de ✉ : Customerservice@monumentgrills.com

Téléphone à ☎ : 1-800-530-9133

Monument Grills LLC 5345 Fulton Industrial Blvd Suite A, Atlanta, GA, 30336 Sur rendez-vous seulement

Heures d'ouverture:

Lundi au vendredi: de 9 heures à 18 heures

Vous avez des questions ou des commentaires?

Veuillez nous envoyer les informations suivantes et nous contacter par e-mail: Customerservice@monumentgrills.com:

Nom

Numéro de téléphone

Courrier électronique

Observations



Vidéo d'assemblage



MOUMENTGRILLS.COM



FACEBOOK

Contenu

Bienvenue au Monument Grill

58

Précautions de sécurité

60

Assemblage

62

Introduction

77

Opérations

78

Instructions de cuisson

80

Nettoyage et entretien

82

Dépannage

83

Précautions de sécurité

Garantie grill

Garantie complète de 2 an sur le grill

- Si le grill tombe en panne dans un délai d'un an à compter de la date d'achat en raison d'un défaut de matériau ou de fabrication, veuillez nous contacter pour organiser un remplacement gratuit.

Garantie limitée de 8 ans sur les brûleurs en acier inoxydable

- Tout brûleur en acier inoxydable rouillé sera remplacé gratuitement pendant huit ans à compter de la date d'achat. Après un an à compter de la date d'achat.
- Toutes les garanties ne couvrent pas la perte de peinture, la décoloration ou la rouille des piles d'allumeur et des pièces de calandre, qui sont soit des pièces consommables qui peuvent s'user lors d'une utilisation normale pendant la période de garantie, soit des conditions causées par une utilisation normale, un accident ou un entretien inapproprié.
- Si le grill est utilisé à des fins commerciales ou de location, toutes les garanties sont annulées.
- Toutes les garanties s'appliquent uniquement aux grillades utilisées en Amérique du Nord.
- Cette garantie vous confère des droits légaux spécifiques et vous pouvez avoir d'autres droits qui varient d'un état à l'autre.
- La garantie n'est valable que pour l'acheteur d'origine qui possède une preuve d'achat d'un détaillant autorisé. Tout produit d'occasion ou acheté par l'intermédiaire d'un détaillant non autorisé n'est pas couvert par la garantie. Est de la responsabilité de l'acheteur de vérifier si le détaillant est agréé. Les articles achetés auprès d'une entité autre que Monument Grills sur Amazon ou d'autres détaillants Internet sur le marché ne sont pas des achats originaux et ne sont pas éligibles à la garantie.

Électricité

- Les appareils de barbecue à gaz doivent être mis à la terre électriquement conformément aux codes locaux ou, en l'absence de codes locaux, conformément au Code national de l'électricité ANSI/NFPA 70 ou au Code canadien de l'électricité, partie I, CSA C22.1.
- Pour éviter les chocs électriques, ne plongez pas les fils ou les fiches dans l'eau ou d'autres liquides.
- Débranchez la prise lorsque vous ne l'utilisez pas et avant de la nettoyer. Laissez refroidir les pièces avant de les enfiler ou de les enlever.
- Ne faites fonctionner aucun appareil de barbecue à gaz avec des fils ou des fiches endommagés, ou après que l'appareil est défectueux ou endommagé de quelque manière que ce soit. Contactez le fabricant pour les réparations.
- Ne laissez pas les fils pendre sur le bord de la table ou toucher des surfaces chaudes.
- N'utilisez pas d'appareils de barbecue à gaz à des fins non prévues.
- Lors de la connexion, branchez d'abord la fiche à l'appareil de barbecue à gaz, puis branchez l'appareil dans une prise.
- Ne retirez jamais la fiche de terre ou ne l'utilisez jamais avec un adaptateur à deux broches.
- Utilisez uniquement des rallonges avec fiche de mise à la terre à trois broches, nominales pour la puissance de l'appareil et approuvées pour une utilisation à l'extérieur, avec la marque W-A.
- Cet appareil de barbecue à gaz utilise uniquement un disjoncteur de défaut à la terre (GFI) pour protéger le circuit.

Approvisionnement en GPL

- Assurez-vous que le dispositif de raccordement de la vanne de bouteille est correctement et en toute sécurité connecté à l'entrée du régulateur de pression.
- Un réservoir d'environ 12 pouces de diamètre et 18-1/2 pouces de haut est le plus grand réservoir de stockage de GPL. Vous devez utiliser le réservoir de gaz OPD, qui fournit un dispositif pour empêcher le remplissage excessif. Cette caractéristique de sécurité empêche le réservoir de stockage d'être trop plein, ce qui peut entraîner une défaillance du réservoir de stockage de GPL, du régulateur et/ou du gril.
- La construction et le marquage des réservoirs de stockage de GPL doivent être conformes aux spécifications du département américain des Transports (DOT). Au Canada, les réservoirs de stockage de GPL doivent être conformes à la Norme nationale du Canada CSA-B339, Cylindres, sphères et pipelines pour le transport des marchandises dangereuses et les commissions.
- Les citernes de GPL doivent être munies d' une vanne d' arrêt qui se termine à la sortie de la vanne de la citerne d' alimentation en GPL et qui soit compatible avec le dispositif de raccordement des citernes du type 1. Les citernes de GPL doivent également être munies d' un dispositif de décompression de sécurité relié directement à l' espace vapeur de la citerne.
- Le système d'alimentation du réservoir doit être utilisé pour l'extraction de la vapeur.
- Les citernes de GPL utilisées doivent être munies d' un collier protégeant les robinets de la citerne.



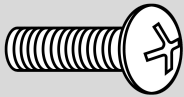

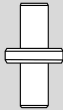

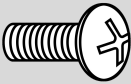
- Maintenez toujours le réservoir de GPL en position verticale.
- Placement et dégagement corrects de la grille.
- Ne raccordez jamais un réservoir de GPL non réglementé à votre gril à gaz. L'ensemble de régulateur de gaz fourni avec le gril à gaz peut être réglé à une pression de sortie de 11 pouces. La colonne d'eau (colonne d'eau) est utilisée pour connecter le réservoir de GPL.
- Utilisez uniquement le détendeur et le tuyau fournis avec la grille de barbecue à gaz. Le détendeur et le tuyau flexibles de remplacement doivent être ceux spécifiés dans le présent manuel.

- Demandez à un distributeur de gaz propane réputé de remplir votre réservoir de GPL et effectuez une inspection visuelle et une recertification à chaque remplissage.
- Ne stockez pas les réservoirs de GPL de recharge en dessous et ne remplissez pas les réservoirs à plus de 80%. Si ces informations ne sont pas suivies à la lettre, un incendie pouvant entraîner la mort ou des blessures graves peut se produire.
- Ne laissez pas le réservoir de GPL surchauffer.
- Ne stockez jamais les réservoirs de GPL à l'intérieur. Si vous stockez un barbecue à gaz dans un garage ou un autre endroit intérieur, assurez-vous de débrancher d'abord le réservoir de GPL et de le ranger en toute sécurité à l'extérieur.
- Lorsque la bouteille n'est pas utilisée, placez le bouchon anti-poussière à la sortie de la vanne de la bouteille. Installez le type de bouchon anti-poussière fourni avec le robinet de bouteille uniquement à la sortie du robinet de bouteille. D'autres types de bouchons ou de bouchons peuvent provoquer des fuites de propane.
- Les réservoirs de GPL doivent être entreposés à l' extérieur dans un endroit bien ventilé et hors de la portée des enfants.
- Les réservoirs de GPL déconnectés ne doivent pas être stockés dans des bâtiments, des garages ou toute autre zone fermée.
- Lorsque votre barbecue à gaz n'est pas utilisé, le gaz du réservoir de GPL doit être fermé.
- Le détendeur et le tuyau doivent être vérifiés avant chaque utilisation du gril. En cas d'usure ou d'usure excessive, ou si le tuyau est coupé, il doit être remplacé avant d'utiliser à nouveau le gril.
- Gardez le tuyau du régulateur de gaz loin de la surface chaude du gril et de la graisse qui coule. Évitez les distorsions inutiles du tuyau. Avant chaque utilisation, inspectez visuellement le tuyau pour les coupures, les fissures, l'usure excessive ou d'autres dommages.
- N'allumez pas le gril à gaz avec le couvercle fermé ou avant de vérifier que le tube de combustion est complètement situé sur le trou de soupape à gaz.
- Ne laissez jamais un enfant faire fonctionner votre grill.

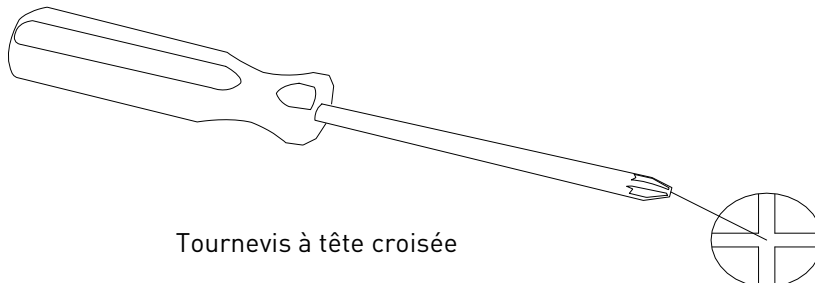
Assemblage

Contenu du package matériel

Le tableau suivant illustre la ventilation des paquets matériels. Met en évidence les composants utilisés aux différentes étapes de l'assemblage.

Key	Picture	Description	Qty
A		1/4" x 15mm	12 pcs
B			5 pcs
C			2 pcs
D		1/4"	4 pcs
F		5/32" x 12mm	7 pcs

Outils nécessaires à l'assemblage



Tournevis à tête croisée

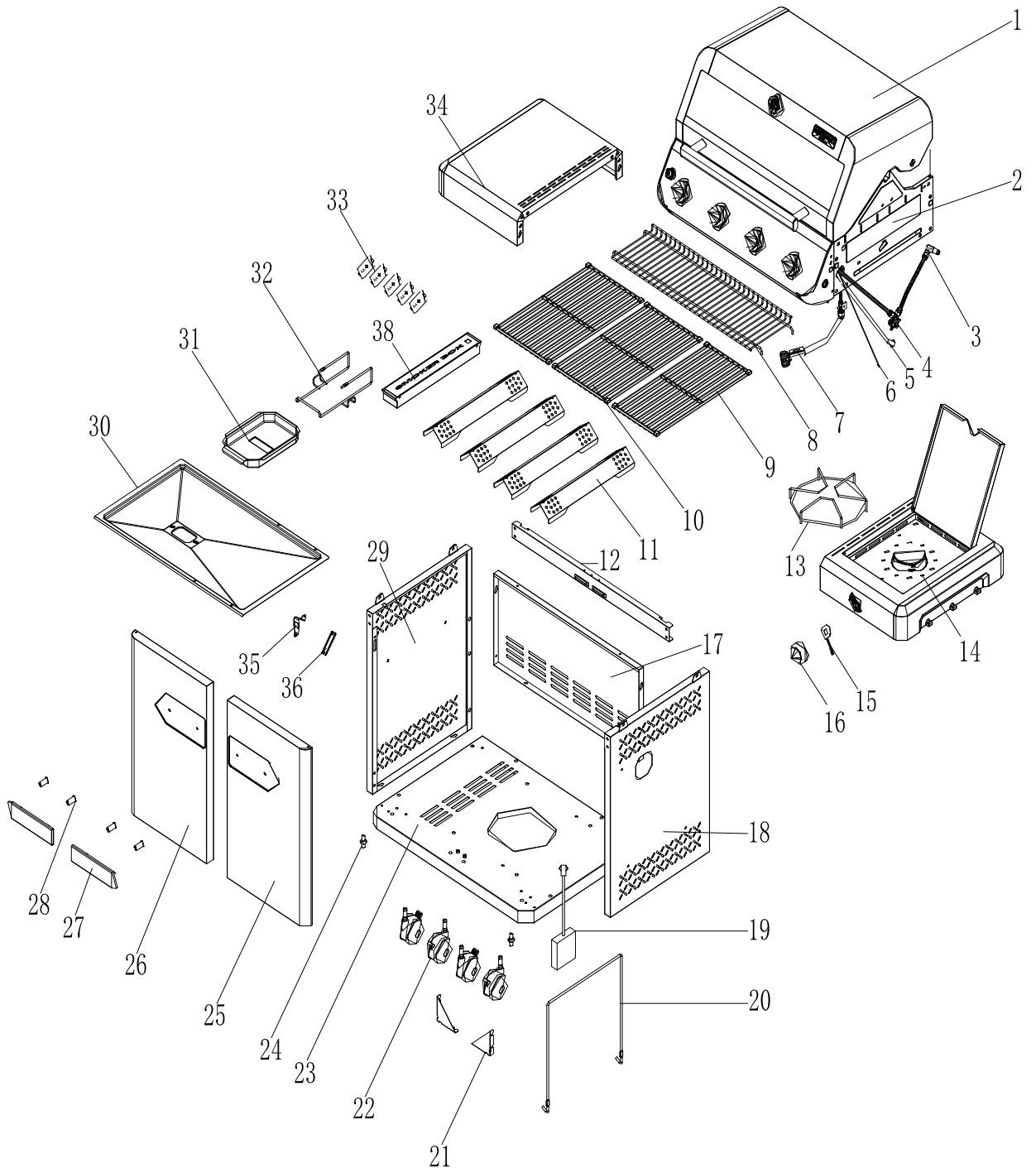
Tournevis cruciforme (non inclus).

Remarque: Lorsque vous faites face à l'avant du grill, les côtés gauche et droit du grill sont sur vos côtés gauche et droit.

Assemblage

Dessin d'assemblage

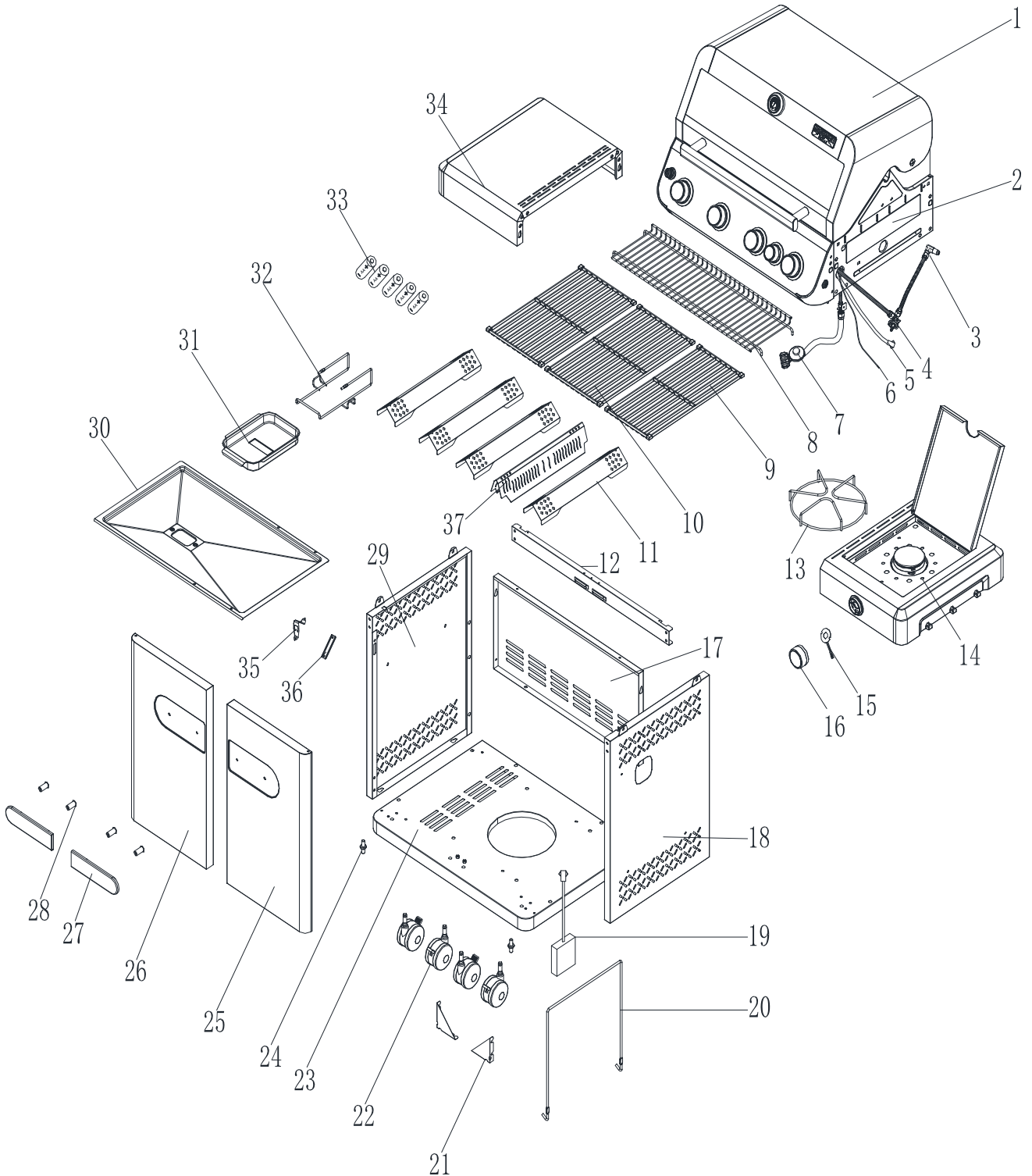
(M405/M405K/M425/M400S)



Assemblage

Dessin d'assemblage

(M415BZ)



Assemblage

Liste des assemblages

NO.	appellation	NO.	appellation
1	Kit couvercle	20	Réservoir de gaz tenant le fil
2	Ensemble de la boîte à feu	21	Pièces communes triangulaires
3	Brûleur latéral siège Nazzle	22	Verrouillage roulette
4	Régulateur de brûleur Sider	23	Panneau de fond de chariot
5	Côté brûleur lampe panneau fil	24	Broche sous le panneau de porte
6	Côté brûleur allumage fil	25	Porte de Cabinet, à droite
7	LP Kit régulateur	26	Porte d'armoire, à gauche
8	Rack chauffant	27	Poignée de porte
9	Grille de cuisson	28	Siège de poignée de porte
10	Grille de cuisson	29	Panier panneau latéral gauche
11	Dompteur de flamme	30	Bac à graisse
12	Chariot barre avant	31	Grasse Pan
13	Support de Pan	32	Support de sabot à graisse
14	Étagère latérale, à droite	33	batterie
15	Panneau de lampe LED	34	Étagère latérale, à gauche
16	Bouton de contrôle	35	ouvre-bouteille
17	Panneau arrière de chariot	36	Décapsuleur de retenue
18	Panier panneau côté droit	37	Dompteur de flamme (seulement pour M405BZ)
19	Boîte de batterie	38	Fumoir (seulement pour M405K)

Pour vous assurer que vous obtenez la bonne pièce de rechange pour le barbecue à gaz, veuillez vous référer au numéro de pièce sur cette page.

Veuillez conserver ce manuel d'utilisation pour faciliter la référence et le remplacement des pièces.

Important: utilisez uniquement les pièces répertoriées ci-dessus. Lors de la commande de pièces, veuillez fournir les informations suivantes:

Vidéo d'assemblage



Améliorez l'expérience d'assemblage

- Analysez pour voir la vidéo d'installation.
- Veuillez vous référer au guide de montage pour assembler votre gril.

Assemblage

Guide de montage

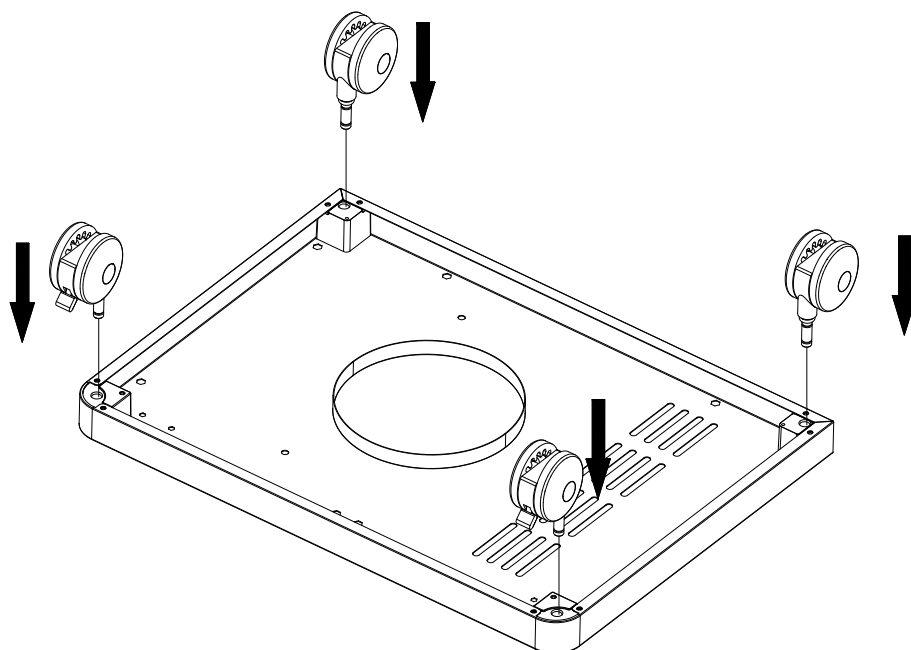


Figure 1

Veillez insérer la roulette de verrouillage dans le panneau inférieur du chariot

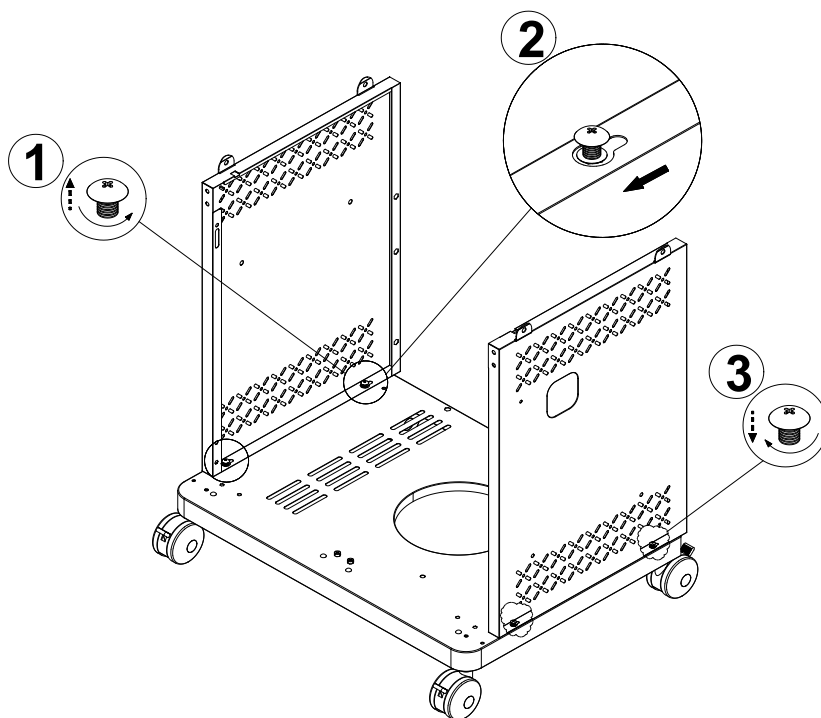
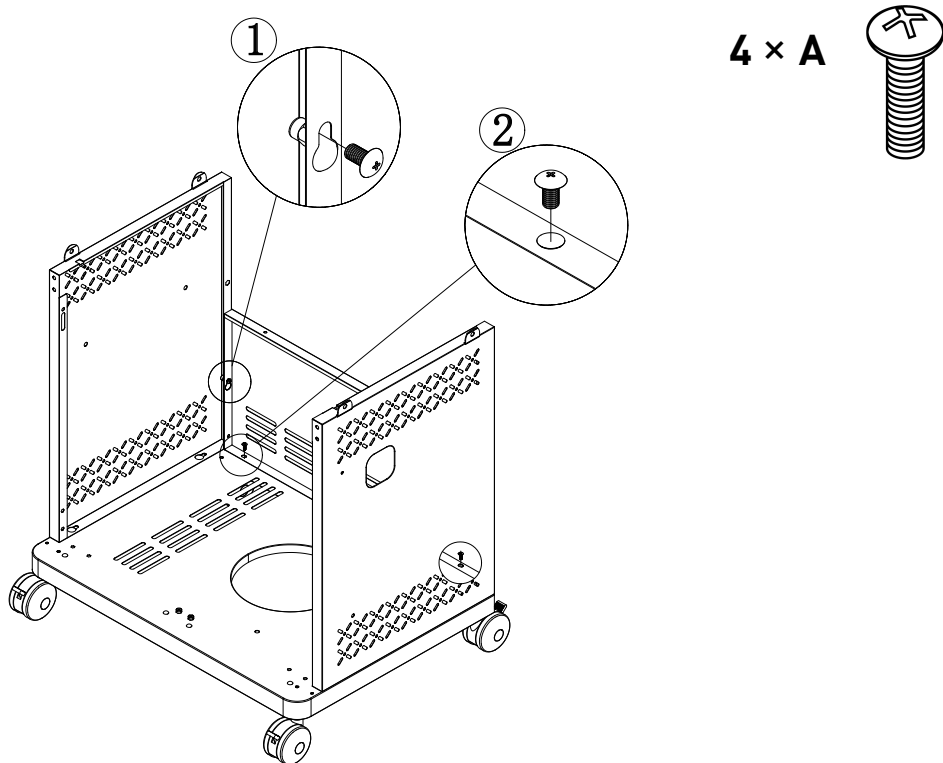


Figure 2

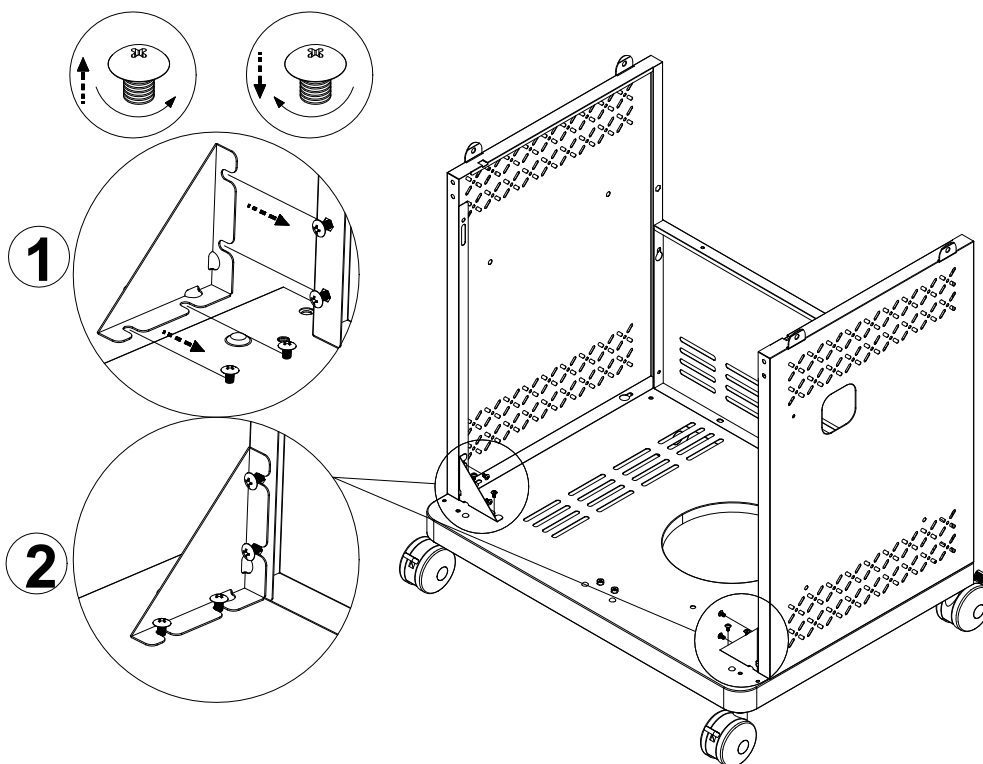
Vissez à moitié les vis dans la plaque inférieure, puis mettez le panneau latéral droit du chariot et le panneau latéral gauche du chariot sur les trous de vis appropriés et vissez serré.

Assemblage



Installez le panneau arrière du chariot à l'endroit approprié avec quatre vis A.

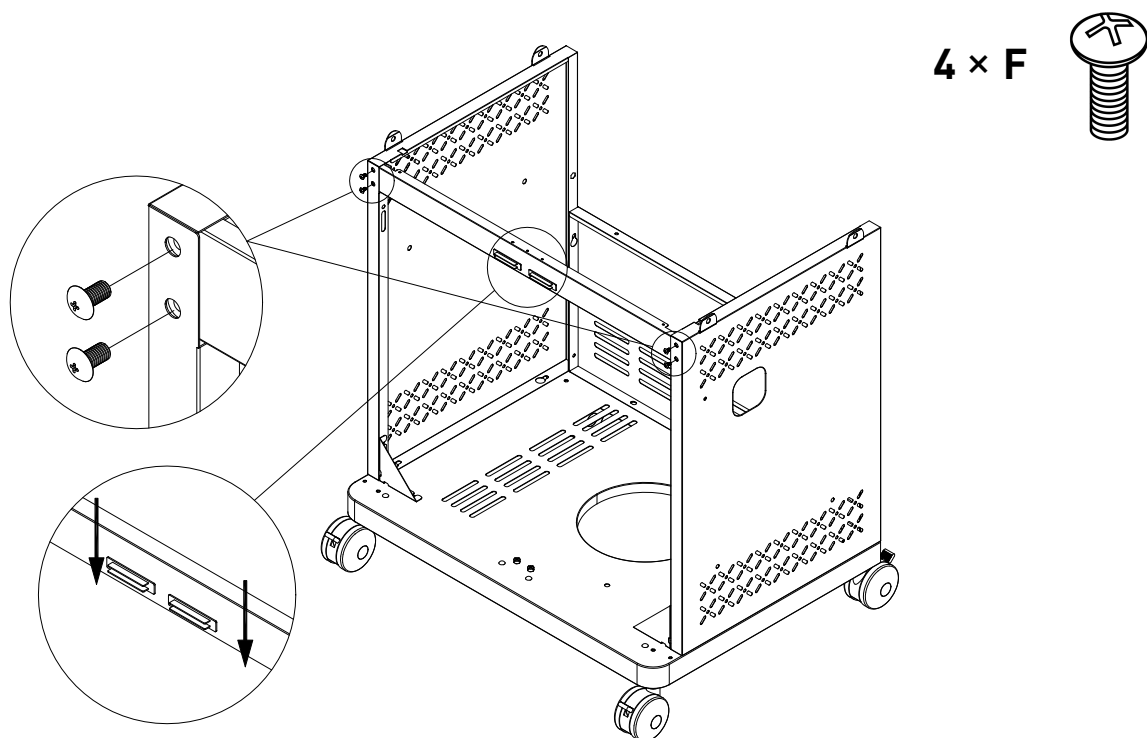
Figure 3



Visser à moitié les vis dans les plaques inférieures et latérales, puis mettre des pièces de Joint triangulaire sur les trous de vis pertinents et visser serré.

Figure 4

Assemblage



Installez la barre avant du chariot à l'endroit approprié avec quatre vis F.
Attention: aimant vers le bas.

Figure 5

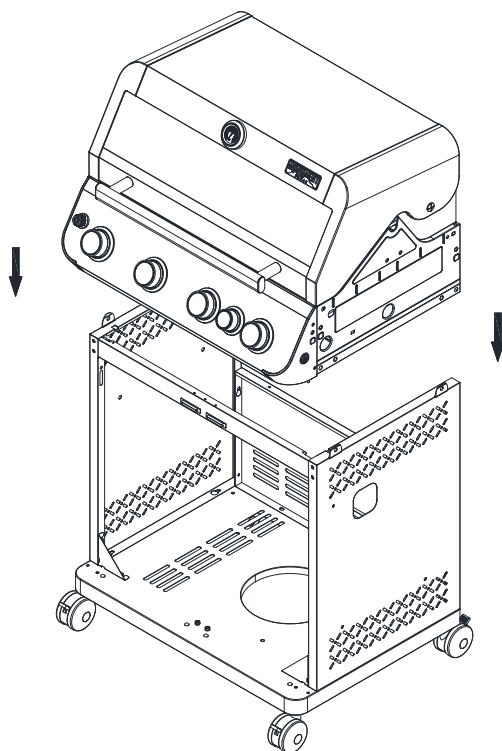
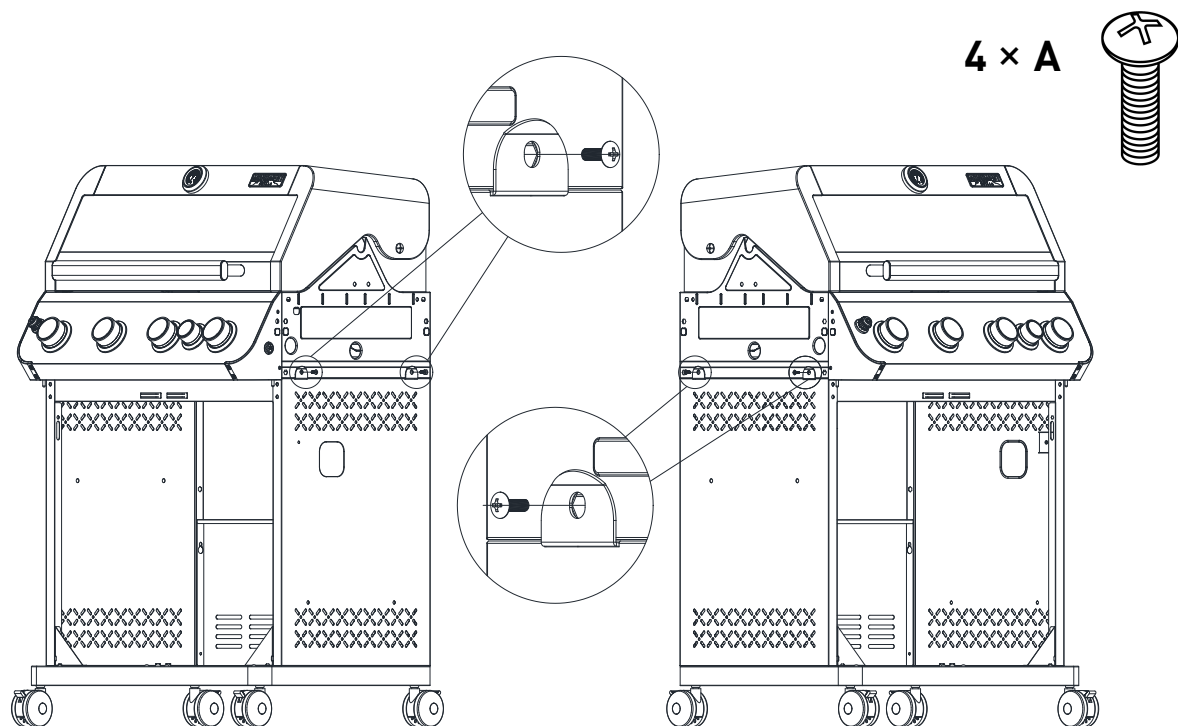


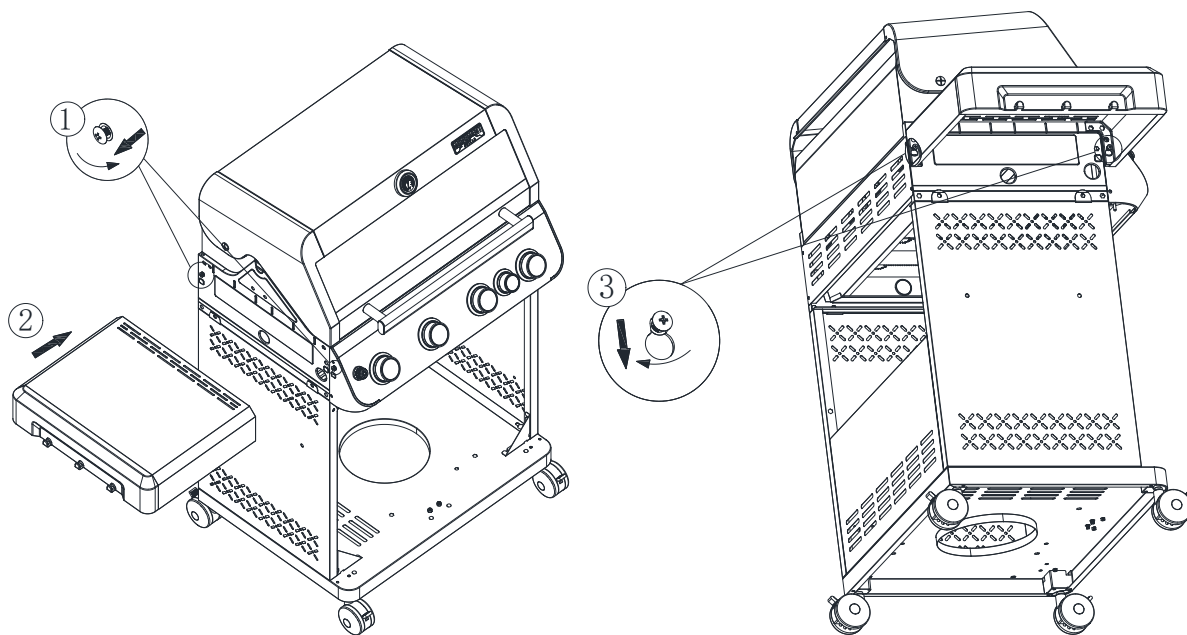
Figure 6

Assemblage



Vissez bien le corps de la grille et le chariot avec quatre vis A.

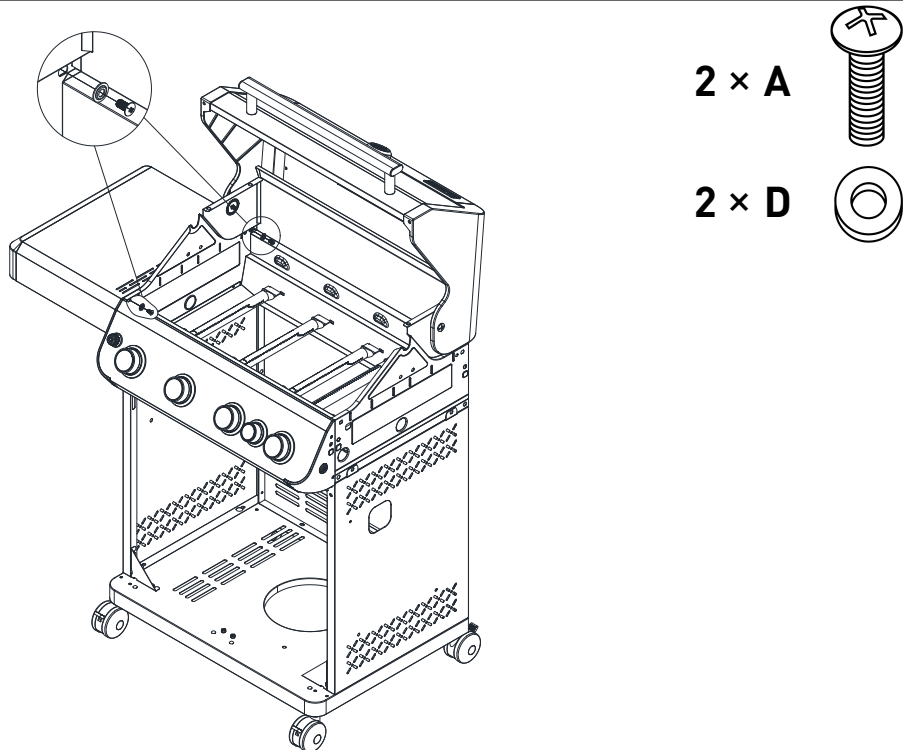
Figure 7



Vissez à moitié la vis dans le corps de la grille, puis mettez l'étagère latérale, à gauche sur les trous de vis pertinents et vissez fermement.

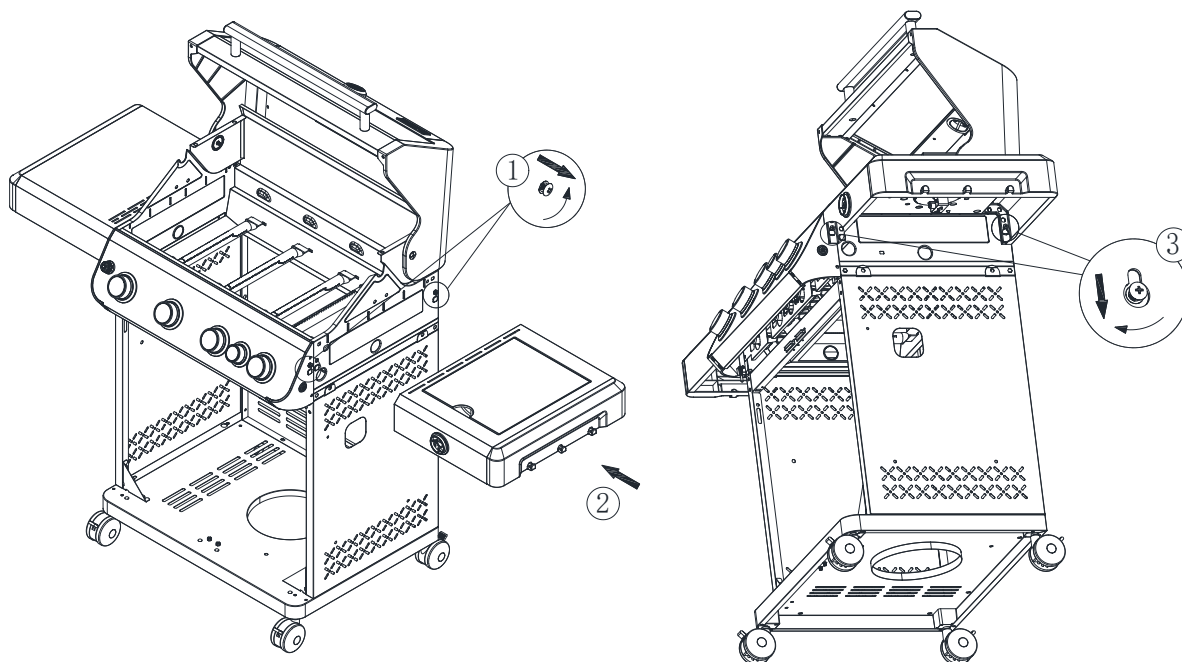
Figure 8

Assemblage



Installer l'étagère latérale, à gauche sur le corps de la grille avec une vis A et un entretoise D.

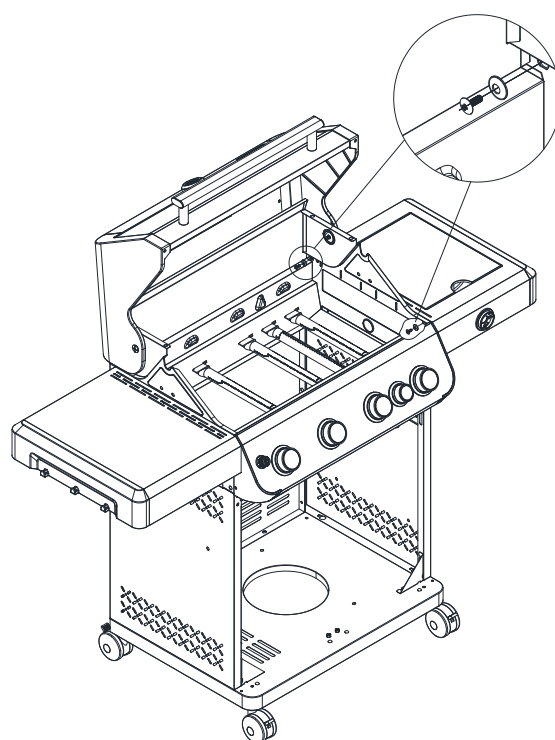
Figure 9



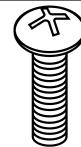
Vissez à moitié les deux grosses vis à l'extérieur du corps de la grille, puis mettez l'étagère latérale, à droite sur les trous de vis pertinents et vissez fermement.

Figure 10

Assemblage



2 × A

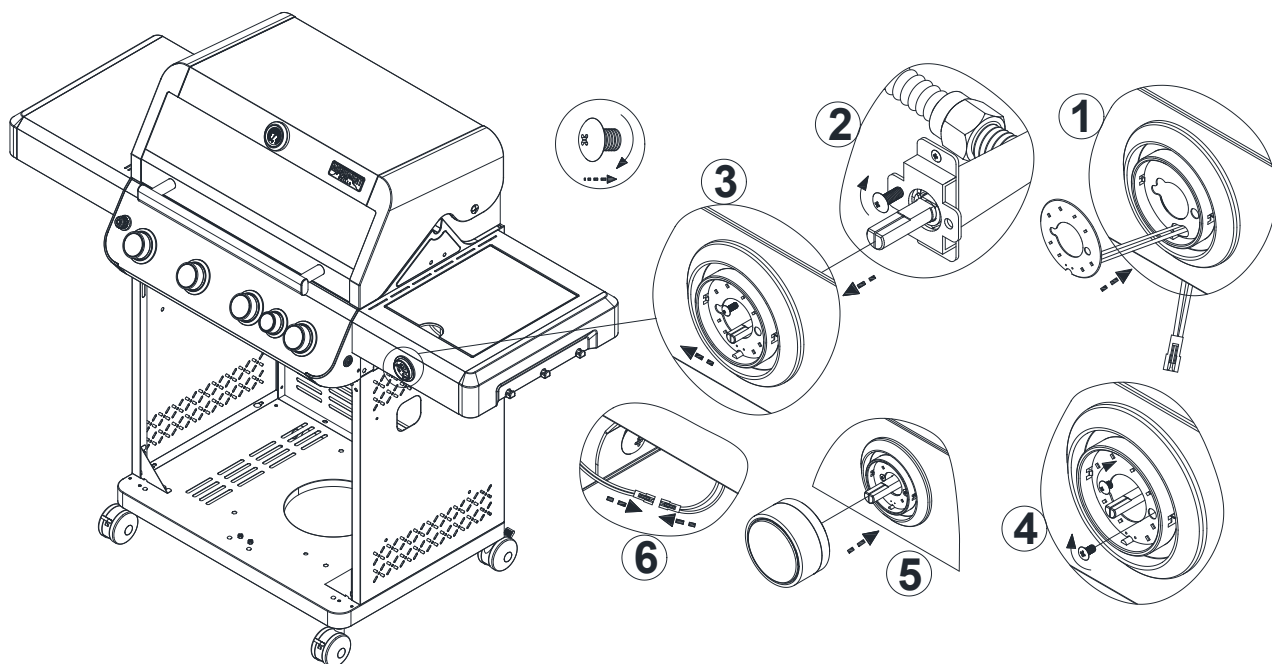


2 × D



Étagère latérale à vis, à droite avec une vis A et une entretoise D à l'intérieur du corps de la grille

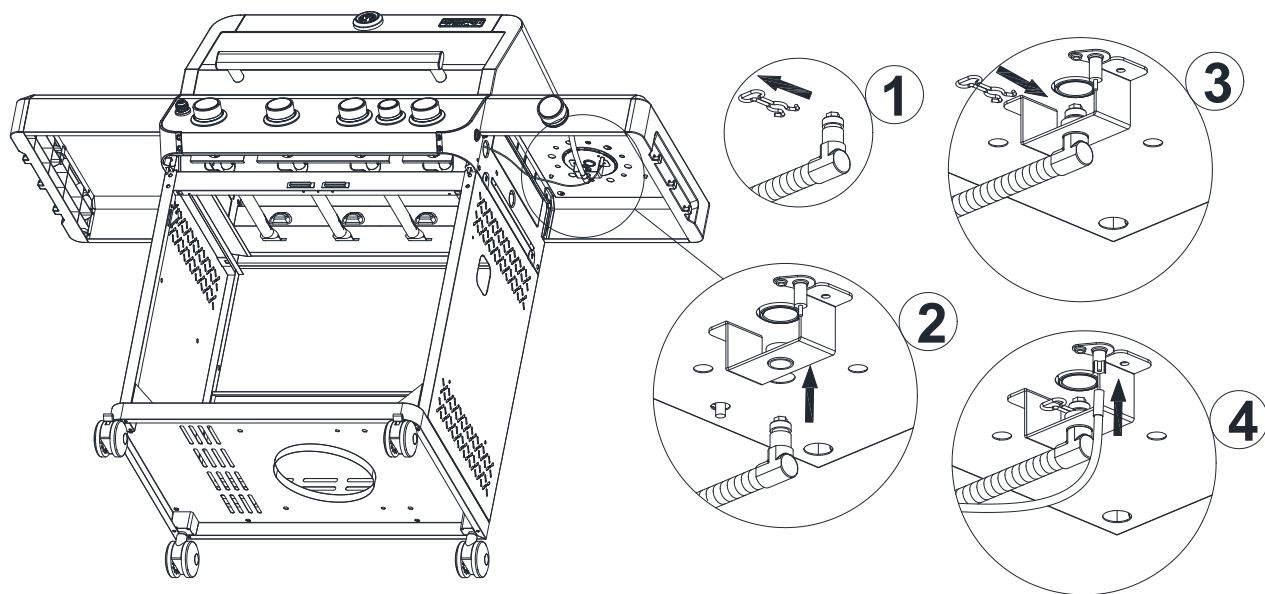
Figure 11



1. Insérez l'étagère latérale, la droite, le panneau de lampe LED et le bouton de contrôle comme le montre la figure.
2. Insérez le fil comme le montre la figure.

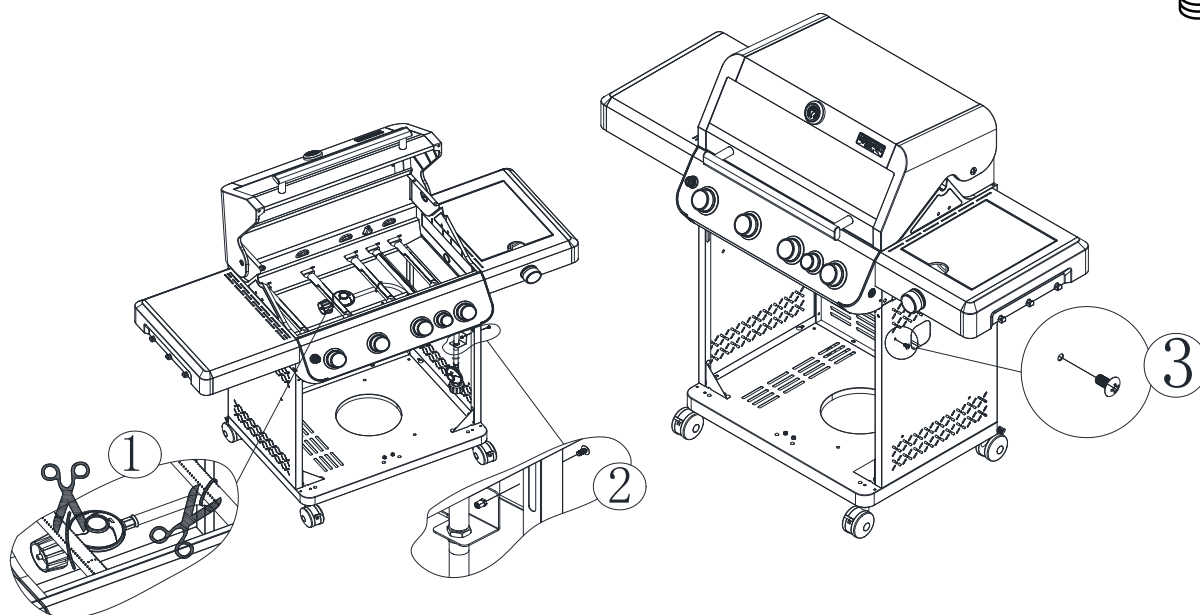
Figure 12

Assemblage



Vissez à moitié la vis dans l'étagère latérale, à droite, puis mettez-la dans le trou et vissez fermement.
Connectez le fil d'allumage du brûleur latéral.

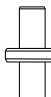
Figure 13

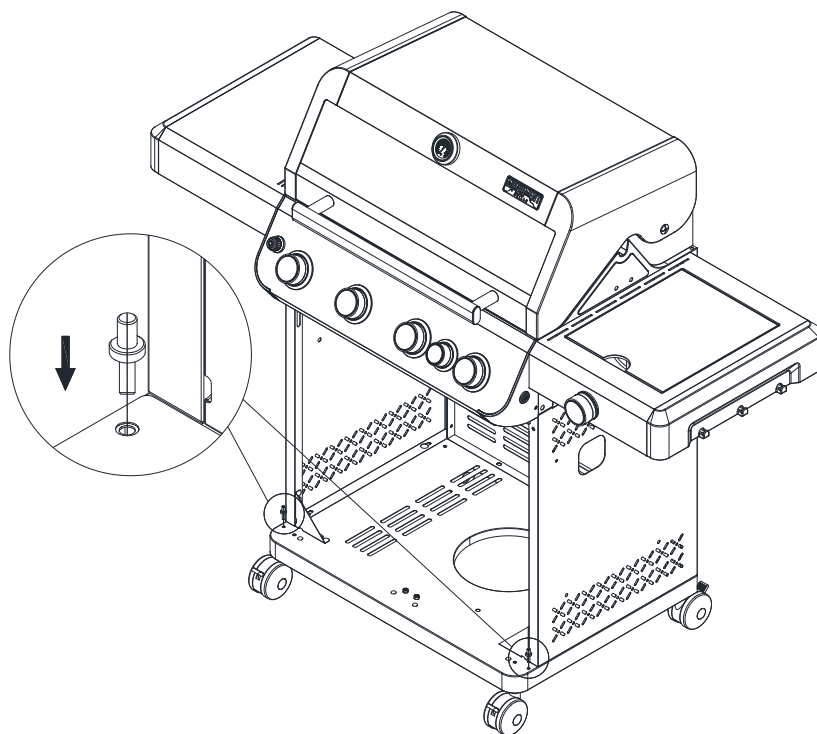


Pièce de raccordement fixe du régulateur sur la plaque de droite avec une équipe F.
Coupe de deux cravate en plastique blanc.

Figure 14

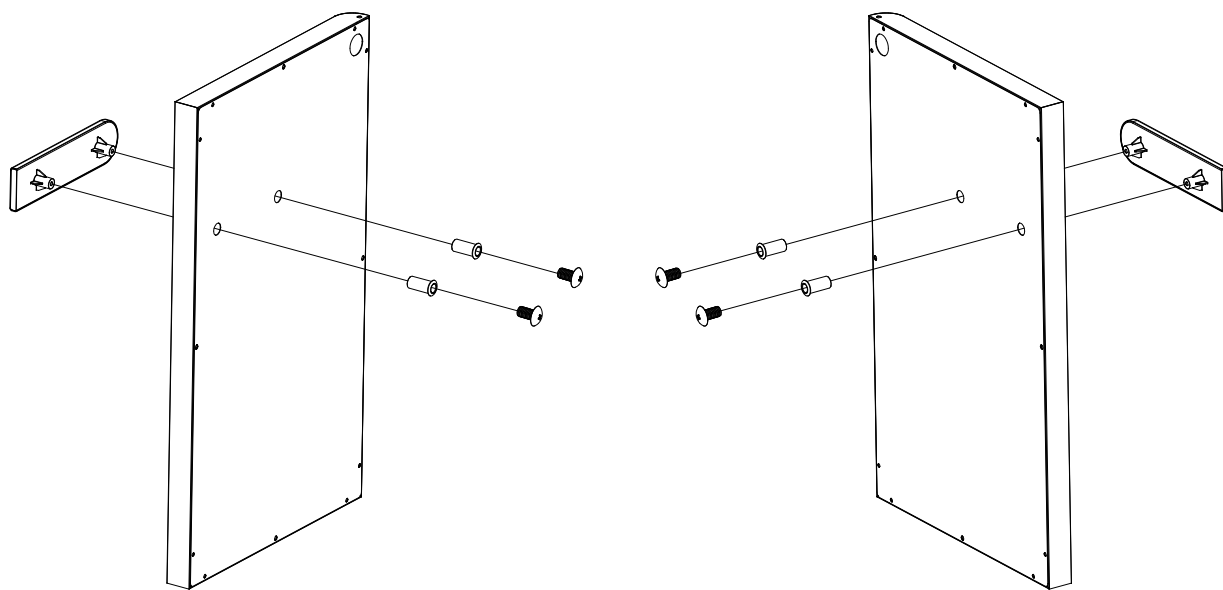
Assemblage

2 x C 



Placez la broche sous le panneau de porte dans le trou correspondant dans la plaque inférieure.

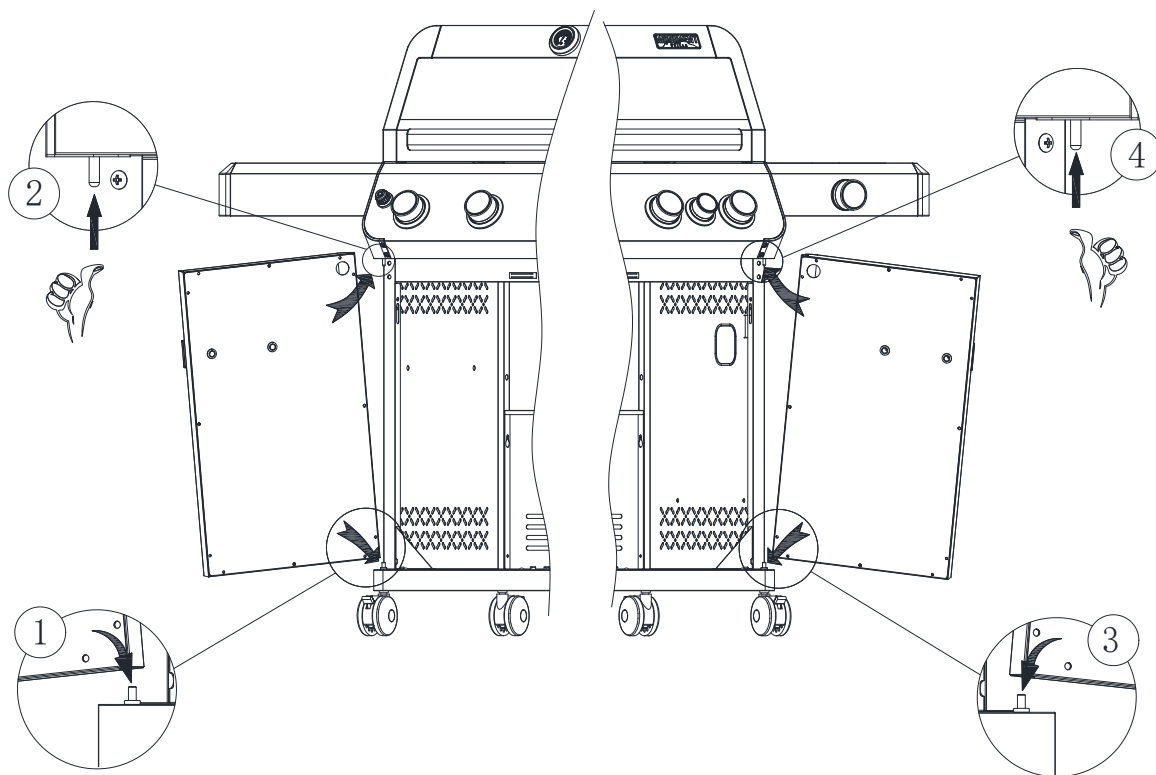
Figure 15



Installez la poignée de porte sur la porte de l'armoire.

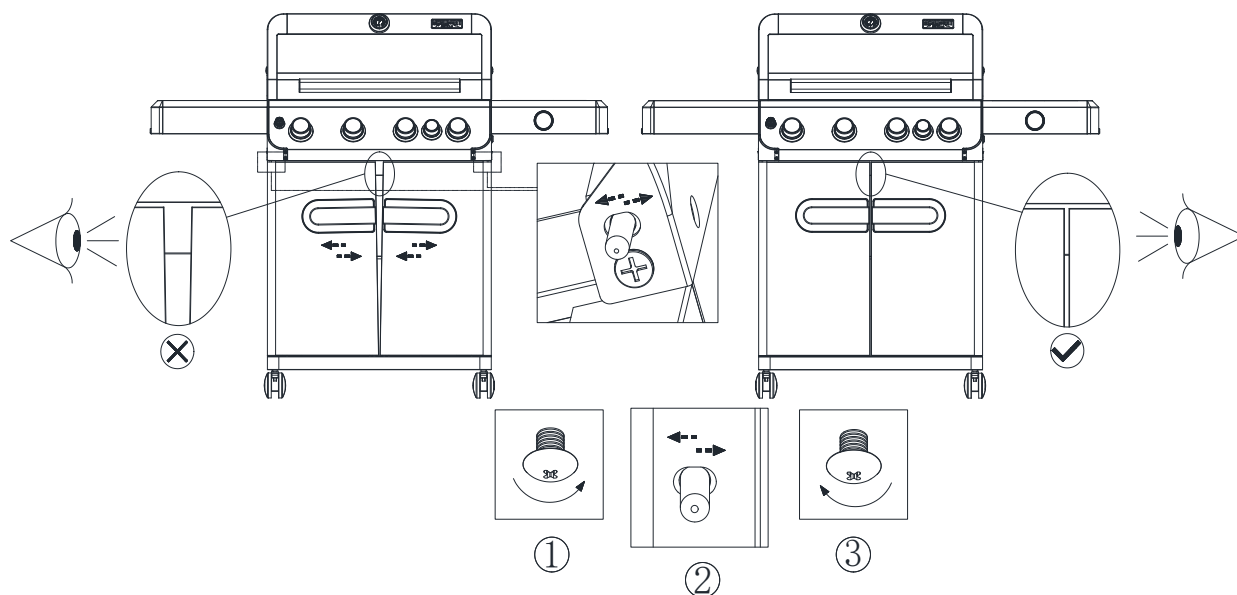
Figure 16

Assemblage



Installez la porte de l'armoire sur le panneau inférieur du chariot.

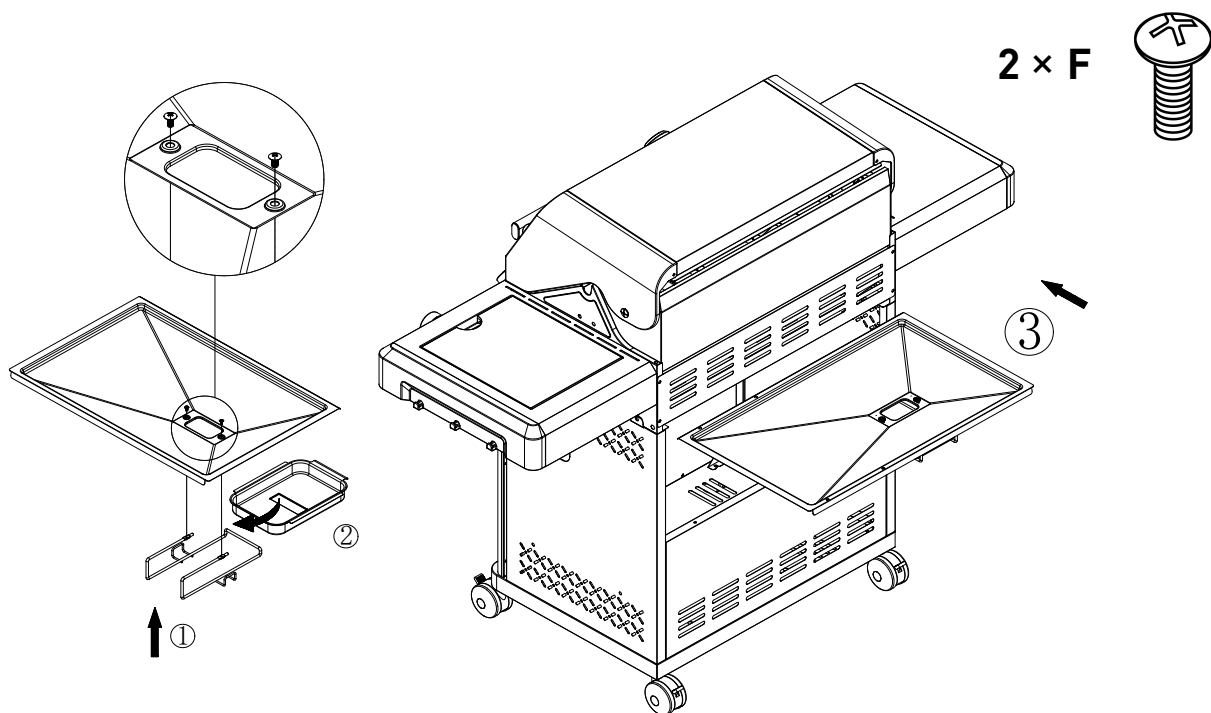
Figure 17



Méthode d'ajustement de l'intervalle de porte.

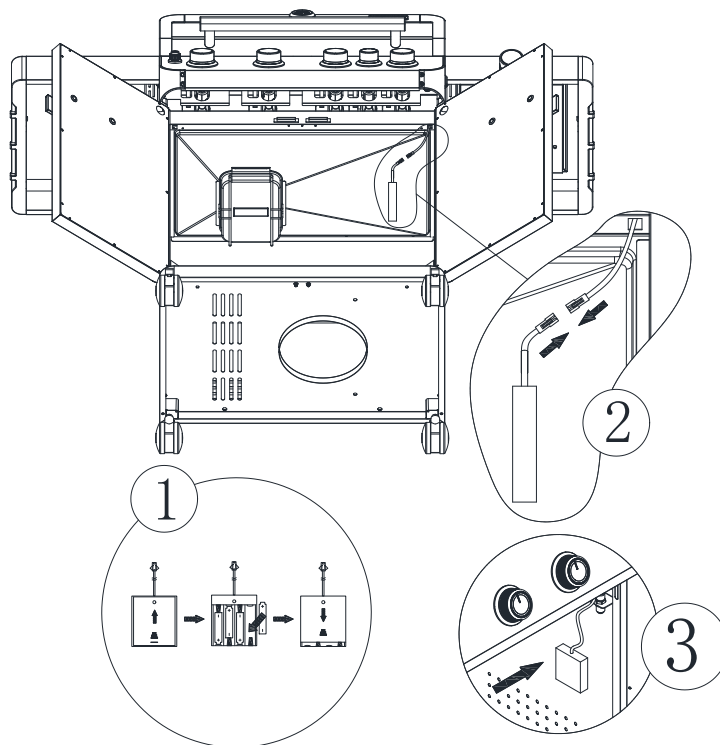
Figure 18

Assemblage



1. Installez le bac à graisse sur le support du bac à graisse avec deux vis F.
2. Mettre le bac à graisse dans le support du bac à graisse.
3. Mettre le bac à graisse dans le corps du grill.

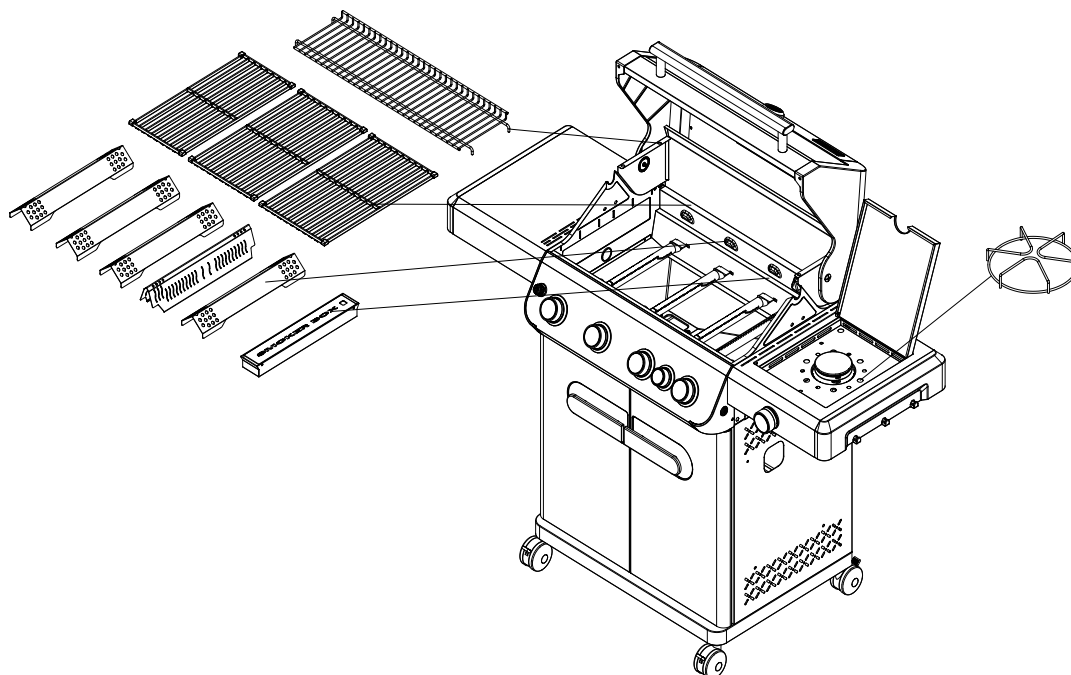
Figure 19



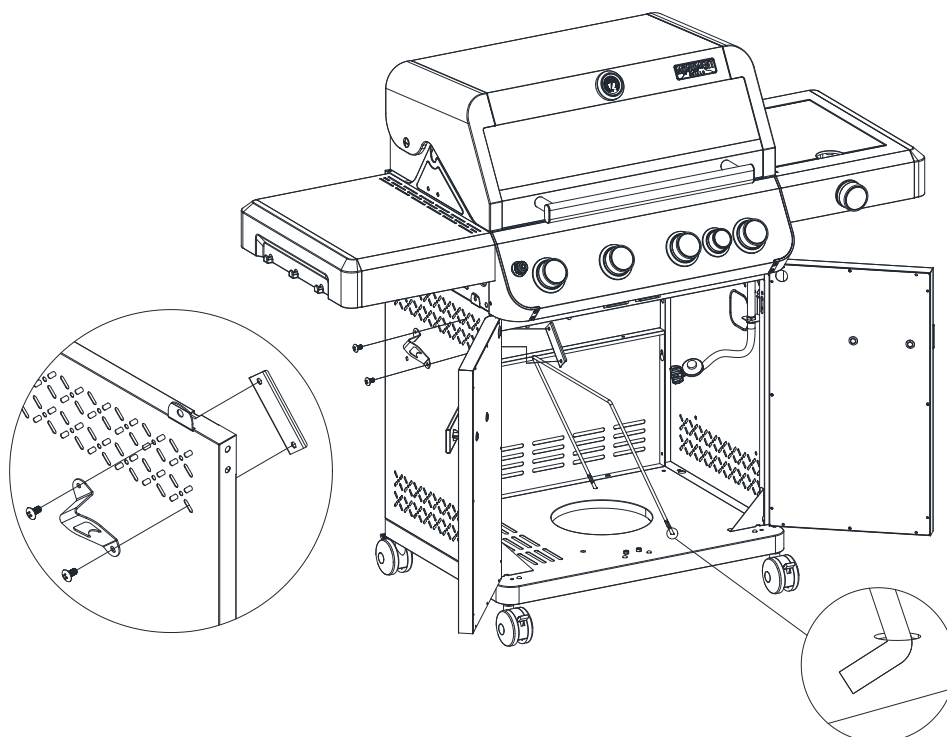
Connectez le fil de la batterie.
Collez la boîte de batterie sur le panneau latéral.

Figure 20

Assemblage



Placez la grille chauffante, la grille de cuisson, le dompteur à flamme à l'endroit approprié. **Figure 21**

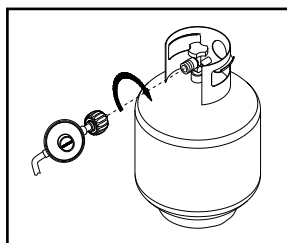


Installer le réservoir de gaz tenant le fil sur la plaque inférieure.
Passez l'ouvre-bouteille à travers le panneau latéral gauche du chariot et fixez-le sur le dispositif de retenue de l'ouvre-bouteille.

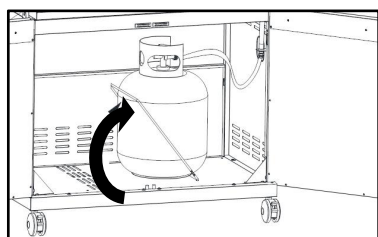
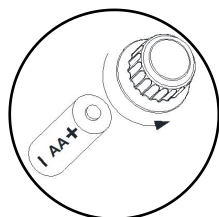
Figure 22

Introduction

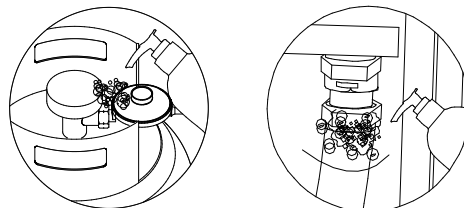
Raccordement du réservoir



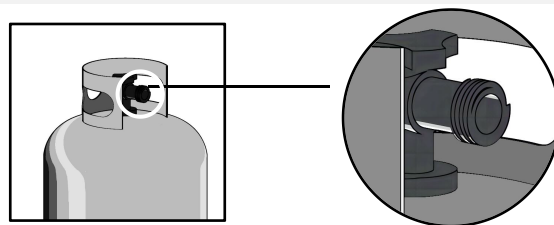
1. Placez l'anneau de pied du réservoir de 20 livres dans le trou de la plaque de base. Assurez-vous que la vanne du réservoir est en position fermée.
2. Vérifiez la vanne du réservoir pour vous assurer qu'elle a un filetage d'ajustement externe approprié pour s'adapter au tuyau et à l'ensemble de régulateur fournis.
3. Assurez-vous que toutes les vannes du brûleur sont en position fermée.
4. Vérifiez l'orifice de raccordement de la vanne et l'ensemble du régulateur. Recherchez des dommages ou des débris. Enlevez les débris. Vérifiez si le tuyau est endommagé. N'utilisez jamais de matériel endommagé ou obstrué.
5. Lors du raccordement du régulateur et du tuyau à la vanne du réservoir, serrez l'écrou de raccordement rapide à la main dans le sens des aiguilles d'une montre jusqu'à l'arrêt complet. Ne serrez pas avec une clé, car cela pourrait endommager l'écrou de connexion rapide et créer une situation dangereuse.
6. Ouvrez complètement la vanne de la citerne (dans le sens antihoraire). Avant d'essayer d'allumer le gril, vérifiez toutes les connexions à l'aide d'une solution aqueuse savonneuse pour détecter des fuites. Si une fuite est détectée, fermez la vanne du réservoir et n'utilisez pas le gril tant que la fuite n'a pas été réparée.
7. Placez le réservoir et la batterie comme indiqué sur l'image.



Contrôle des fuites de GPL



1. Préparer une solution savonneuse douce de 50/50 (savon/eau).
2. Tournez le bouton de commande en position de fermeture complète. Ouvrez ensuite le réservoir d'alimentation en air.
3. Appliquez la solution savonneuse sur tous les raccords gazeux à l'aide d'une brosse propre. Si de plus en plus de bulles apparaissent dans la solution, la connexion n'est pas correctement scellée. Vérifiez chaque accessoire et serrez-le ou réparez si nécessaire.
4. Si vous avez une fuite de gaz irréparable, fermez le réservoir d'alimentation en gaz, déconnectez les conduites de carburant du gril ou contactez un fournisseur de gaz pour obtenir de l'aide.
5. Appliquez également la solution savonneuse sur les joints du réservoir. Voir ci-dessous. Si de plus en plus de bulles apparaissent, fermez le réservoir et ne l'utilisez pas ou ne le déplacez pas! Contactez un fournisseur de GPL ou un service d'incendie pour obtenir de l'aide.



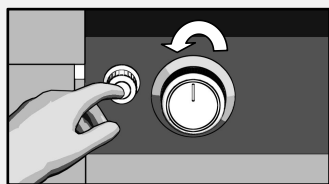
⚠ Alerte rapide au

- Ne testez jamais les fuites avec une flamme. Avant la première utilisation, au début de chaque saison ou à chaque changement de réservoir de GPL, vous devez vérifier les fuites de gaz.
- Lorsque l'équipement n'est pas utilisé, le gaz dans le réservoir d'alimentation doit être fermé.
- Si une fuite est détectée à tout moment, arrêtez! Éteignez le gaz à la source et corrigez la fuite.

Description de l'éclairage du brûleur principal

1. Ne fumez pas lorsque vous allumez le gril ou vérifiez le raccord d'alimentation en air.
2. Assurez-vous que le réservoir de GPL est suffisamment plein.
3. Assurez-vous que tous les raccords de gaz sont serrés.
4. Allumez l'alimentation en gaz.
5. Ouvrez le couvercle principal du gril et le couvercle du brûleur latéral.
6. Allumez le brûleur en poussant l'un des boutons du brûleur principal à la position maximale tout en maintenant le bouton d'allumage électronique enfoncé pendant 3 à 5 secondes. Lorsque vous appuyez sur le bouton d'allumage, vous devriez entendre un tic-tac. Si vous n'entendez pas le tic-tac, vérifiez la batterie, puis les fils.
7. Si le brûleur ne s'allume pas après 5 secondes, tournez le bouton sur OFF. Fermez le gaz dans le réservoir basse pression et attendez 5 minutes pour laisser le gaz s'écouler. Ensuite, ouvrez le gaz dans le réservoir et répétez l'étape 6.
8. Si le brûleur est toujours éteint, consultez la section correspondant à l'éclairage et la section si le gril est toujours éteint à la page suivante.

Remarque: les lumières de bouton viennent en trois couleurs au total, appuyez sur le commutateur de lumière, et lorsque le bouton s'allume, l'état non allumé est blanc, l'état de feu élevé est rouge, et l'état de feu faible est orange. (identique à la lumière du bouton



Blanc



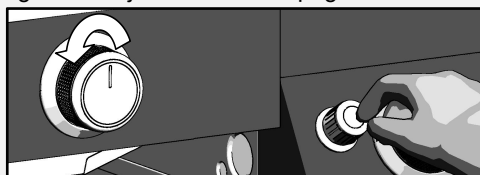
Rouge



Rouge

Description de l'éclairage du brûleur latéral

1. Ouvrez complètement le couvercle du brûleur latéral.
2. Poussez et tournez le bouton du brûleur latéral à la position maximale. Entre-temps, maintenez le bouton d'allumage électronique enfoncé pendant 3 à 5 secondes pour allumer le brûleur.
3. Si le brûleur latéral ne s'allume pas après 5 secondes, tournez le bouton sur OFF. Fermez le gaz dans le réservoir basse pression et attendez 5 minutes pour laisser le gaz s'écouler. Ouvrez ensuite le réservoir de gaz et répétez l'étape 2.
4. Si le brûleur est toujours éteint, consultez la section correspondant à l'éclairage et la section si le gril est toujours éteint à la page suivante.



Remarque: l'éclairage illustré peut être légèrement différent du modèle acheté.

⚠ est prudent

Pendant le transport et l'entreposage, les araignées et les petits insectes tissent parfois des toiles ou construisent des nids dans des tubes de combustion grillés. Ces filets peuvent bloquer le flux d'air, ce qui peut provoquer un incendie à l'intérieur et autour du tube du brûleur. Ce type d'incendie, appelé « flashback », peut endommager gravement votre grill et créer des conditions de fonctionnement dangereuses pour l'utilisateur.

Bien que le blocage du tube de combustion ne soit pas la seule cause de « trempe », c'est la cause la plus courante. Pour réduire les risques de « trempe », vous devez nettoyer le tube de combustion avant d'assembler le grill et au moins une fois par mois à la fin de l'été et au début de l'automne, lorsque les araignées sont les plus actives. Si votre grill n'est pas utilisé depuis longtemps, effectuez également ce programme de nettoyage du tube du brûleur. Voir Nettoyage des tubes et des ports du brûleur dans Nettoyage et entretien. En cas de « trempe » dans et/ou autour du tube de combustion, suivez les instructions ci-dessous. Le non-respect de ces instructions peut provoquer un incendie ou une explosion, entraînant des blessures graves, la mort ou des dommages matériels.

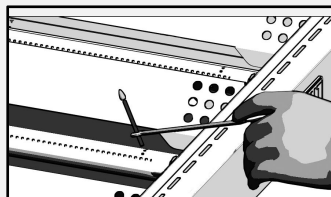
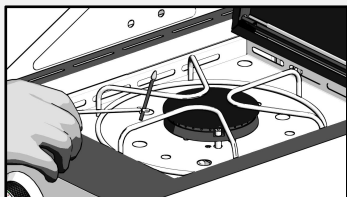
- Coupez l'alimentation en gaz du gril à gaz.
- Tournez le bouton de commande en position OFF.
- Éteignez toute flamme avec un extincteur approprié.
- Ouvrez le couvercle du gril.
- Une fois le grill refroidi, nettoyez le poêle
- Tubes et brûleurs en fonction du nettoyage

⚠ Alerte rapide au

- Le fait de ne pas ouvrir le couvercle du barbecue pendant l'éclairage peut provoquer un incendie ou une explosion, entraînant des blessures graves, la mort ou des dommages matériels.
- Lors de l'allumage, gardez toujours le visage et le corps aussi loin que possible du brûleur.
- Lorsque vous allumez un grill à gaz, ne vous penchez jamais sur la zone de cuisson du grill. Lorsque vous allumez le grill avec une allumette, gardez votre visage et votre corps à une distance de sécurité (au moins 18 pouces) de la surface de la grille de cuisson.
- Vérifiez le tuyau d'alimentation en gaz avant de « mettre en marche » le gaz. S'il y a des signes de coupures, d'usure ou d'abrasion, il doit être remplacé avant utilisation. S'il y a une odeur de gaz, n'utilisez pas de brûleurs latéraux.

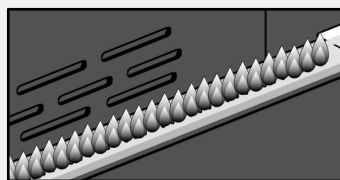
Éclairage manuel d'allumettes

1. Tenez le bâton d'éclairage manuel.
2. Insérez une allumette dans le bâton lumineux.
3. Allumez l'allumette et étendez le bâton lumineux sur la surface de la grille de cuisson.
4. Tournez le bouton de commande requis sur le réglage maximum pour libérer le gaz.
5. Le brûleur doit être allumé immédiatement.



Inspection de la flamme du brûleur

Vérifiez visuellement la flamme du brûleur avant chaque utilisation. La flamme doit ressembler à une image, si ce n'est pas le cas, reportez-vous à Nettoyage du tube et de l'orifice du brûleur, voir Nettoyage et entretien dans ce manuel.



Remarque: Le flux d'air normal à travers le régulateur et le tuyau produit un bourdonnement. Le faible bruit est tout à fait normal et n'interfère pas avec le fonctionnement du grill. Si le bourdonnement est fort et excessif, vous devrez peut-être retirer l'air de la conduite de gaz ou réinitialiser le dispositif de débit de gaz excessif du régulateur. Cette procédure de nettoyage doit être effectuée chaque fois qu'un nouveau réservoir de GPL est connecté à votre grill.

Si le grill ne s'allume toujours pas

1. Vérifier les fuites dans l'alimentation en gaz et les raccords. Vérifiez que toutes les connexions électriques sont sécurisées.
2. Répéter la procédure d'éclairage de base. Si votre grill ne fonctionne toujours pas, éteignez le gaz de la source, tournez le bouton de commande sur off et vérifiez ce qui suit:
 - **Le tube du brûleur n'était pas aligné sur le trou.**
Correction: Repositionnez le tube du brûleur sur le trou.
 - **Le gazoduc est bouché.**
Correction: Retirez la conduite de carburant de la calandre. Ne fumez pas! Ouvrez l'alimentation en gaz pendant 1 seconde pour éliminer tout obstacle sur la conduite de carburant. Coupez l'alimentation en gaz à la source et reconnectez les conduites de carburant au grill.
 - **L'orifice est bloqué.**
Correction: Retirez les brûleurs du grill et soulevez soigneusement chaque brûleur loin du trou de soupape. Retirez l'orifice de la soupape d'air et éliminez doucement tout obstacle avec un fil fin. Ensuite, réinstallez tous les trous, brûleurs et composants de cuisson.
3. Si vous soupçonnez un blocage de la soupape d'air, veuillez nous contacter.
4. Si le grill n'est toujours pas allumé, vous devrez peut-être retirer l'air du tuyau de gaz ou réinitialiser le dispositif de débit de gaz excessif du régulateur.

Cela devrait être fait chaque fois qu'un nouveau réservoir de GPL est connecté à votre grill.

Pour éliminer l'air de la conduite de gaz et/ou réinitialiser le dispositif de débit de gaz excessif du régulateur:

- Tournez le bouton de commande en position OFF.
- Fermez le gaz à la soupape du réservoir.
- Débrancher le régulateur du réservoir de GPL.
- Laisser reposer 5 minutes.
- Rebrancher le régulateur au réservoir de GPL.
- Ouvrez lentement la vanne du réservoir jusqu'à ce qu'elle soit ouverte.
- Ouvrez le couvercle du grill.
- Réglez le bouton de commande sur OFF. Poussez tous les boutons de commande au maximum.
- Tournez le bouton de commande au maximum jusqu'à ce que tous les brûleurs soient allumés.
- Vous pouvez commencer à utiliser le grill.

Instructions de cuisson

Brûlé

Avant de cuisiner pour la première fois sur votre gril à gaz, vous voudrez « brûler » le gril pour éliminer toute odeur ou corps étranger. Allumez simplement le brûleur, abaissez le couvercle et faites fonctionner le gril en position haute pendant 3 à 5 minutes.

Température de cuisson

Réglage élevé: utilisez ce paramètre uniquement lorsque vous préchauffez rapidement, brûlez les steaks ou les côtes levées et brûlez les résidus alimentaires sur le gril une fois la cuisson terminée. N'utilisez jamais le réglage haut pour une cuisson prolongée.

Réglages moyen-bas: la plupart des recettes spécifient des réglages moyen-bas, y compris tous les fumeurs, la cuisson de barbecue et la cuisson de viandes maigres telles que le poisson.

Remarque: Le réglage de la température varie avec la température extérieure et le volume d'air.

Cuisson directe

La méthode de cuisson directe peut utiliser la grille de cuisson fournie et les aliments sont placés directement sur le gril allumé. La cuisson directe nécessite le couvercle du gril vers le haut. Cette méthode est parfaite pour le barbecue, chaque fois que vous voulez que la viande, la volaille ou le poisson ait le goût d'un barbecue à flamme nue. La friture et le fumage sont également les meilleurs moyens de cuisson, car ils nécessitent un chauffage direct.

Cuisson indirecte

Pour la cuisson indirecte, les aliments doivent être placés à gauche ou à droite du gril et le brûleur est allumé de l'autre côté. La cuisson indirecte doit être couverte.

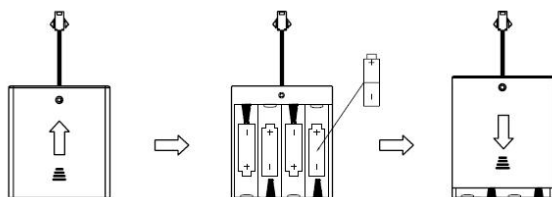
Événements d'urgence

Les gouttes de graisse et de jus dans les aliments grillés peuvent provoquer des maladies soudaines. Depuis la flamme donne à la nourriture un goût et une couleur privilégiés et uniques pour les couvertures cuites Feu ouvert, ils devraient être acceptés dans une certaine mesure. Cependant, Une combustion incontrôlée peut entraîner la ruine d'un repas.

Remplacement de la batterie

Si la LED ne s'allume pas, la batterie doit être remplacée. Remplacez la batterie LED.

1. Trouvez le boîtier de la batterie et ouvrez le couvercle.
2. Mettez 4 piles AA, piles positives et négatives
3. Devrait rester le même que le poteau dans la boîte.
4. Fermez le couvercle.



⚠ Alerte rapide au

Ne couvrez jamais les fentes, les trous ou les passages au fond du four et ne couvrez pas toute l'étagère avec du papier d'aluminium et d'autres matériaux. Cela empêche l'air de passer dans le four et peut entraîner une intoxication au monoxyde de carbone.

Le revêtement en papier d'aluminium peut retenir la chaleur et provoquer un incendie.

⚠ est prudent

Le marquage indique que le produit ne doit pas être éliminé avec d'autres ordures ménagères dans l'ensemble des États-Unis. Pour éviter que l'élimination incontrôlée des déchets ne cause des dommages à l'environnement ou à la santé humaine, recycler les déchets de manière responsable afin de promouvoir la réutilisation durable des ressources matérielles. Pour retourner votre appareil usagé, utilisez le système de retour et de collecte ou contactez le revendeur qui a acheté le produit. Ils peuvent utiliser ce produit pour un recyclage sans danger pour l'environnement.

Instructions de cuisson

Afin d'assurer la sécurité alimentaire, les aliments doivent être cuits à la température interne minimale indiquée dans le tableau ci-dessous.

USDA * Température intérieure minimale de sécurité

Poisson	145 ° F
Porc	160 ° F
Assiette à oeufs	160 ° F
Steak et rosbif, veau ou agneau	145 ° F
Boeuf haché, veau ou agneau	160 ° F
Volaille entière (dinde, poulet, canard, etc.)	165 ° F
Poulets (poitrines de poulet, etc.) hachés ou coupés en morceaux	165 ° F

:: Département de l'agriculture des États-Unis

Alimentation	Poids ou épaisseur	Température	Heure	Instructions et conseils spéciaux
Légumes	/	Moyenne	8 à 20 minutes	Trancher ou hacher les légumes et saupoudrer de beurre ou de margarine. Envelopper hermétiquement avec une feuille épaisse. Le gril tourne de temps en temps.
Pommes de terre	Ensemble	Moyenne	40 à 60 minutes	Emballage individuel dans un film résistant. Cuisinez à tour de rôle de temps en temps.
Viande/steak	1/2 à 3/4 pouce	Élevée-moyenne	4 à 15 minutes	Préchauffer le gril 15-20 minutes, puis faire frire les biftecks des deux côtés pendant deux minutes. Cuire ensuite de 3 à 5 minutes de chaque côté ou jusqu'à ce que la cuisson désirée soit parfaite.
Viandes hachées	1/2 à 3/4 pouce	Moyenne	8 à 15 minutes	Lorsque le jus flotte à la surface, le gril est tourné une fois, ou jusqu'à ce que le degré de maturité désiré soit atteint. Ne laissez pas les hamburgers sans surveillance, car les urgences peuvent se produire rapidement.
RIBES	1/2 ou rack complet	Moyenne	20 à 40 minutes	Le gril tourne de temps en temps. Badigeonner de sauce barbecue les dernières minutes et retourner plusieurs fois.
Hot dogs	/	Moyenne	5 à 10 minutes	Tournez le gril quatre fois. 2 à 4 minutes de chaque côté.
Viande de volaille	1/4 à 1/2 lb	Faible ou moyen	20 à 40 minutes	Le gril tourne de temps en temps. Au cours des dernières minutes, badigeonner de sauce barbecue si désiré et retourner plusieurs fois.
Volailles entières	2 à 3 livres	Faible	1 à 1-1/2 heures	Utiliser aussi souvent que nécessaire les racks à volaille et les brosses
		Moyenne	40 à 60 minutes	Utiliser aussi souvent que nécessaire les racks à volaille et les brosses
Poisson	3/4 à 1 pouce	Moyenne	8 à 15 minutes	Retourner le gril une fois jusqu'à la maturité désirée. Badigeonner de beurre fondu, de margarine ou d'huile.

Nettoyage et entretien

Nettoyage de la grille de cuisson

Nous vous recommandons de laver la grille de cuisson avec du savon doux et une solution aqueuse tiède. Vous pouvez nettoyer votre grille de cuisson avec un chiffon ou une brosse douce.

Nettoyage du radiateur

Vous devez régulièrement laver le radiateur avec du savon et une solution aqueuse tiède. Utilisez une brosse douce pour enlever les résidus de cuisson tenaces et brûlés. Le radiateur doit être sec avant d'être réinstallé.

Nettoyer le bac à graisse

Les palettes de graisse doivent être vidées et essuyées régulièrement et lavées avec un détergent doux et une solution aqueuse tiède. Une petite quantité de sable ou de litière pour chats peut être placée au fond du bac à graisse pour absorber la graisse.

Vérifiez fréquemment le disque de graisse pour éviter que l'excès de graisse ne s'accumule et ne déborde.

Nettoyer l'intérieur de la grille

Brûlez le gril après chaque utilisation pour être prêt pour la prochaine utilisation. Cependant, vous devez nettoyer soigneusement tout le gril une fois par an pour maintenir son fonctionnement optimal. Suivez ces étapes.

1. Tournez toutes les vannes du brûleur en position complètement fermée.
2. Tournez la vanne de la citerne de GPL en position complètement fermée.
3. Retirez le tuyau GPL et le régulateur du gril à gaz. Vérifiez les dommages éventuels et remplacez-les si nécessaire par le numéro de pièce de rechange du fabricant figurant sur la liste des pièces.
4. Retirez et nettoyez les radiateurs, les grilles de cuisson et les brûleurs à gril.
5. Couvrez chaque trou de valve avec une feuille d'aluminium.
6. Brossez l'intérieur et le fond du gril avec une brosse en nylon et lavez avec du savon doux et une solution aqueuse tiède. Rincer abondamment et sécher.
7. Retirez le papier d'aluminium et réinstallez le diffuseur thermique et la grille de cuisson.
8. Rebranchez la source d'air et observez si la flamme du brûleur fonctionne correctement.

Nettoyage des surfaces extérieures

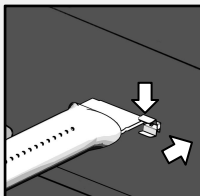
Nous vous recommandons de nettoyer le gril avec du savon doux et une solution aqueuse tiède. Vous pouvez utiliser un chiffon ou une éponge pour terminer le processus. N'utilisez pas d'abrasifs ou de brosses qui pourraient enlever la peinture pendant le nettoyage.

Acier inoxydable extérieur propre Les intempéries et la chaleur extrême peuvent faire bronzer la surface extérieure en acier inoxydable. L'huile moteur utilisée dans la fabrication de l'acier inoxydable peut également provoquer cette couleur de bronzage. Utilisez un nettoyant pour acier inoxydable pour polir la surface en acier inoxydable du gril. N'utilisez jamais de détergents abrasifs ou d'épurateurs, car ils peuvent rayer et endommager votre gril.

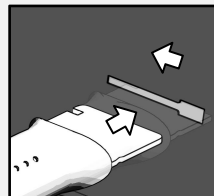
Nettoyage des tubes et des orifices du brûleur

Pour réduire les risques de « flashback », suivez la procédure ci-dessous au moins une fois par mois à la fin de l'été et au début de l'automne, lorsque les araignées sont les plus actives, ou lorsque votre grill n'est pas utilisé. Un moment.

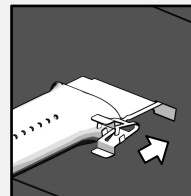
1. Tournez toutes les vannes du brûleur et du réservoir d'air en position fermée.
2. Retirez l'ensemble régulateur de GPL du gril à gaz.
3. Retirez la grille de cuisson, le radiateur et le plateau à graisse du gril.
4. Retirez les vis au fond de chaque brûleur et soulevez le brûleur vers le haut, loin du trou de soupape d'air.
5. Utilisez un fil dur incurvé en forme de crochet, de tuyau d'air ou de brosse à bouteille, passez-le à travers le tube du brûleur et coupez-le plusieurs fois à l'intérieur pour éliminer les débris.
6. Remplacez le brûleur, voir la figure ci-dessous.



Étape 1



Étape 2



Étape 3

Quel que soit le programme de nettoyage du brûleur que vous utilisez, nous vous recommandons également de suivre les étapes suivantes pour aider à prolonger la durée de vie du brûleur.

1. Utilisez un tampon en fibre ou une brosse en nylon pour nettoyer toute la surface extérieure de chaque brûleur jusqu'à ce qu'il n'y ait pas de résidus alimentaires et de saleté.
2. Nettoyez tous les orifices obstrués, tels que les trombones ouverts, avec un fil dur.
3. Vérifiez chaque brûleur pour détecter des dommages (fissures ou trous) et, si de tels dommages sont constatés, commandez et installez un nouveau brûleur. Après l'installation, vérifiez que le trou de soupape d'air est correctement placé à l'intérieur de l'extrémité du tube du brûleur.

Dépannage

Avant d'appeler le service

Si le grill ne fonctionne pas correctement, utilisez la liste de contrôle suivante avant de demander un entretien.

Vous devez vérifier le brûleur au moins une fois par an ou immédiatement après l'une des situations suivantes:

Problème	Que faire?
Lorsque vous tournez le bouton de commande, le grill ne s'allume pas.	<ul style="list-style-type: none">• Vérifiez que le réservoir basse pression est vide.• Nettoyez les fils et/ou les électrodes en essuyant avec de l'alcool et un coton-tige propre.• Essuyer avec un chiffon sec.• Assurez-vous que les fils sont connectés à l'ensemble d'électrodes.• Vérifiez que les autres brûleurs fonctionnent. Si tel est le cas, vérifiez que les trous de gaz du brûleur défectueux ne sont pas obstrués.
La flamme du brûleur est jaune ou orange Avec l'odeur du gaz.	<ul style="list-style-type: none">• Voir Nettoyage des tubes et des ports du brûleur dans Nettoyage et entretien.• Si le problème persiste, veuillez nous contacter.
La chaleur est faible lorsque le bouton est en position maximale.	<ul style="list-style-type: none">• Le tuyau de carburant est-il plié ou plié?• Le grill est dans un endroit poussiéreux?• Y a-t-il suffisamment de gaz naturel?• Si un seul brûleur semble bas, dois-je nettoyer la plaque à orifice ou le brûleur?• L'alimentation en air ou la pression est-elle faible?
La lumière de bouton ne fonctionne pas	<ul style="list-style-type: none">• Assurez-vous d'avoir les piles bien dans la boîte à piles.• Consultez les instructions de montage pour assembler le voyant de bouton, et assurez-vous qu'il est branché correctement au boîtier de la batterie.• Ensuite, allumez l'interrupteur de lumière sur le panneau de commande, et regardez le bouton s'allumer en blanc.



WWW.MONUMENTGRILLS.COM



Scannez le code QR sur Facebook

Rejoignez notre groupe de style de vie Monumentgrills et recevez des avantages exclusifs tels que des coupons, des recettes et des cadeaux partagés au sein du groupe.

**Ligne téléphonique du
service à la clientèle
1-800-530-9133**