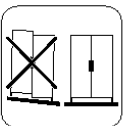
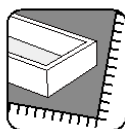
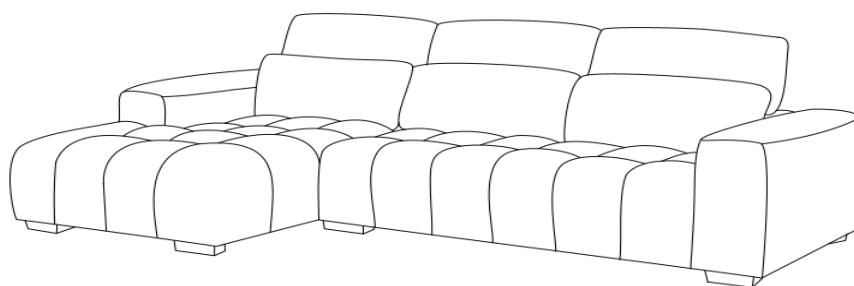
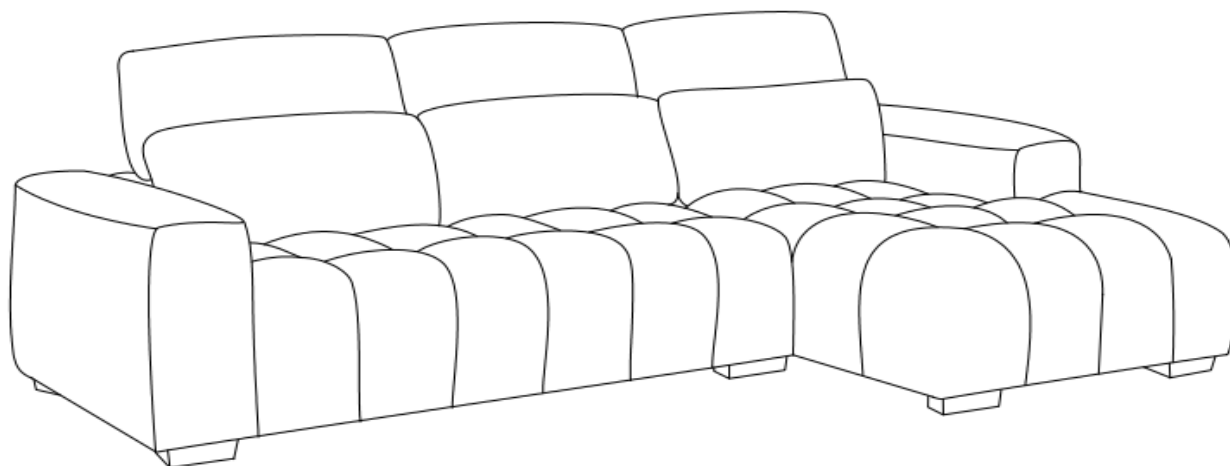



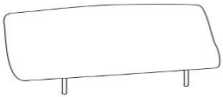

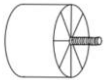
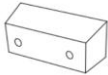

Assembly Instructions

S110&S111



Assembly Instructions

S110&S111

No.	Description	Size	Picture	Qty	Ctn no.
1	Backrest	82*31CM		3	1/2 2PCS
					2/2 1PCS
2	Head pillow	83*33*10C M		3	1/2 2PCS
					2/2 1PCS
A	Bolt	M8*60MM		16	1/2 8PCS
					2/2 8PCS
B	Middle Leg	H5CM		2	1/2 1PCS
					2/2 1PCS
C	Leg	H5CM		8	1/2 4PCS
					2/2 4PCS
D	Allen Key	L6		2	1/2 1PCS
					2/2 1PCS

Assembly Instructions

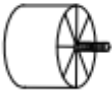
S110&S111

1

Take out the legs and hardware from the sofa bottom and assembly the legs accordingly

PART 1/2

A  8PCS


B  1PC

C  4PCS

D  1PC

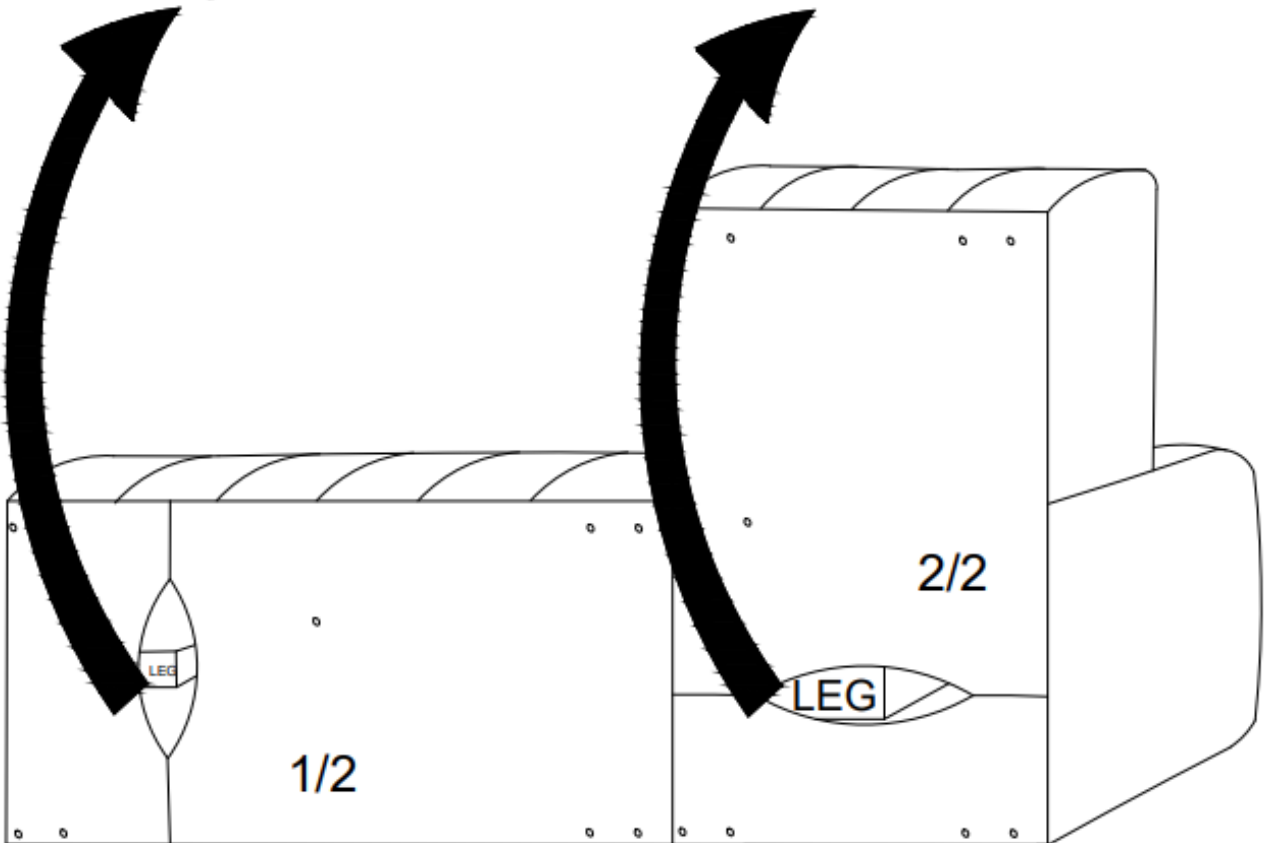
PART 2/2

A  8PCS

B  1PC

C  4PCS

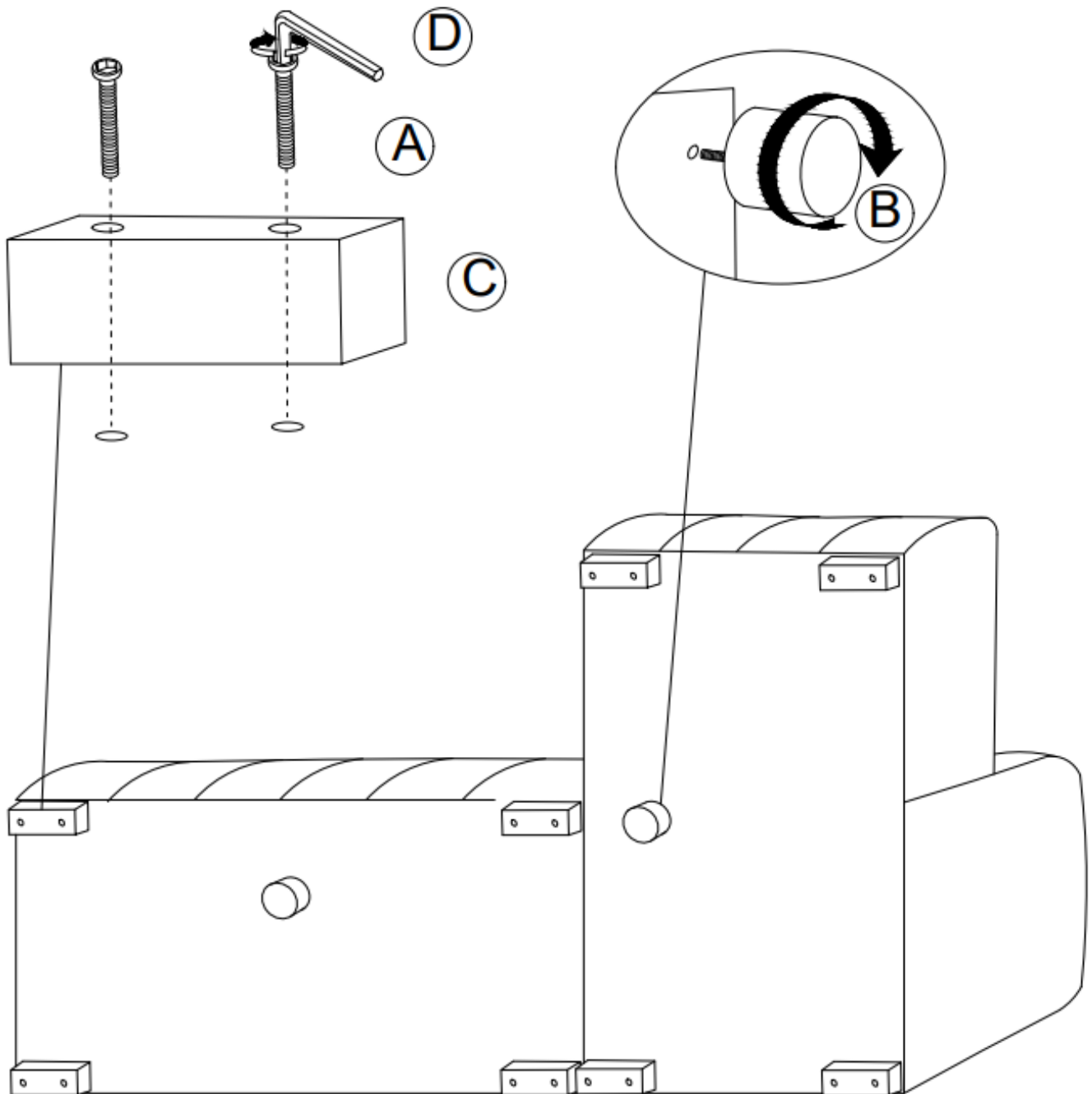
D  1PC



Assembly Instructions

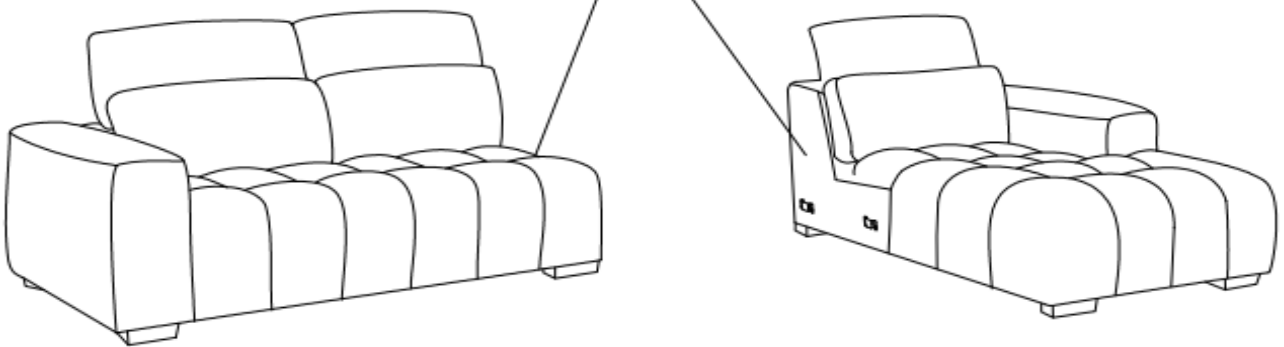
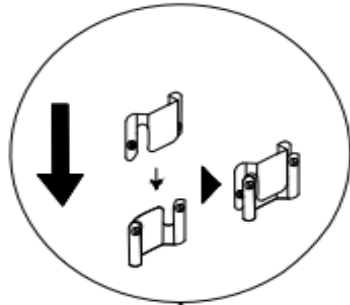
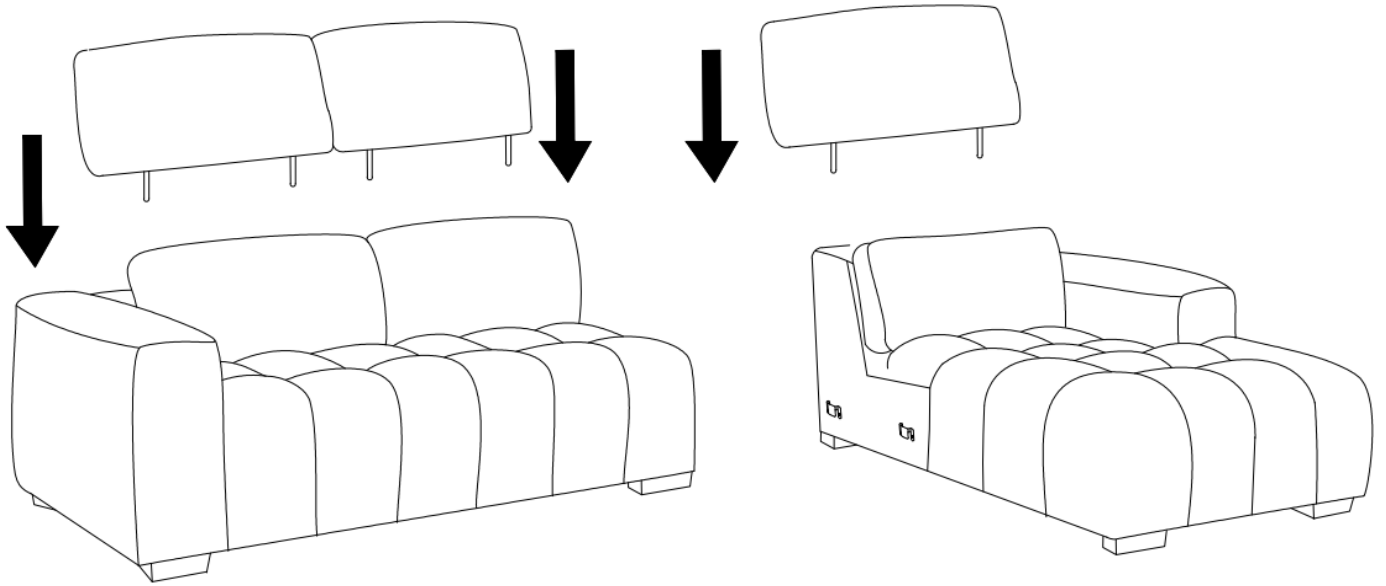
S110&S111

2



Assembly Instructions

S110&S111



Assembly Instructions

S110&S111

3

FINISHED

