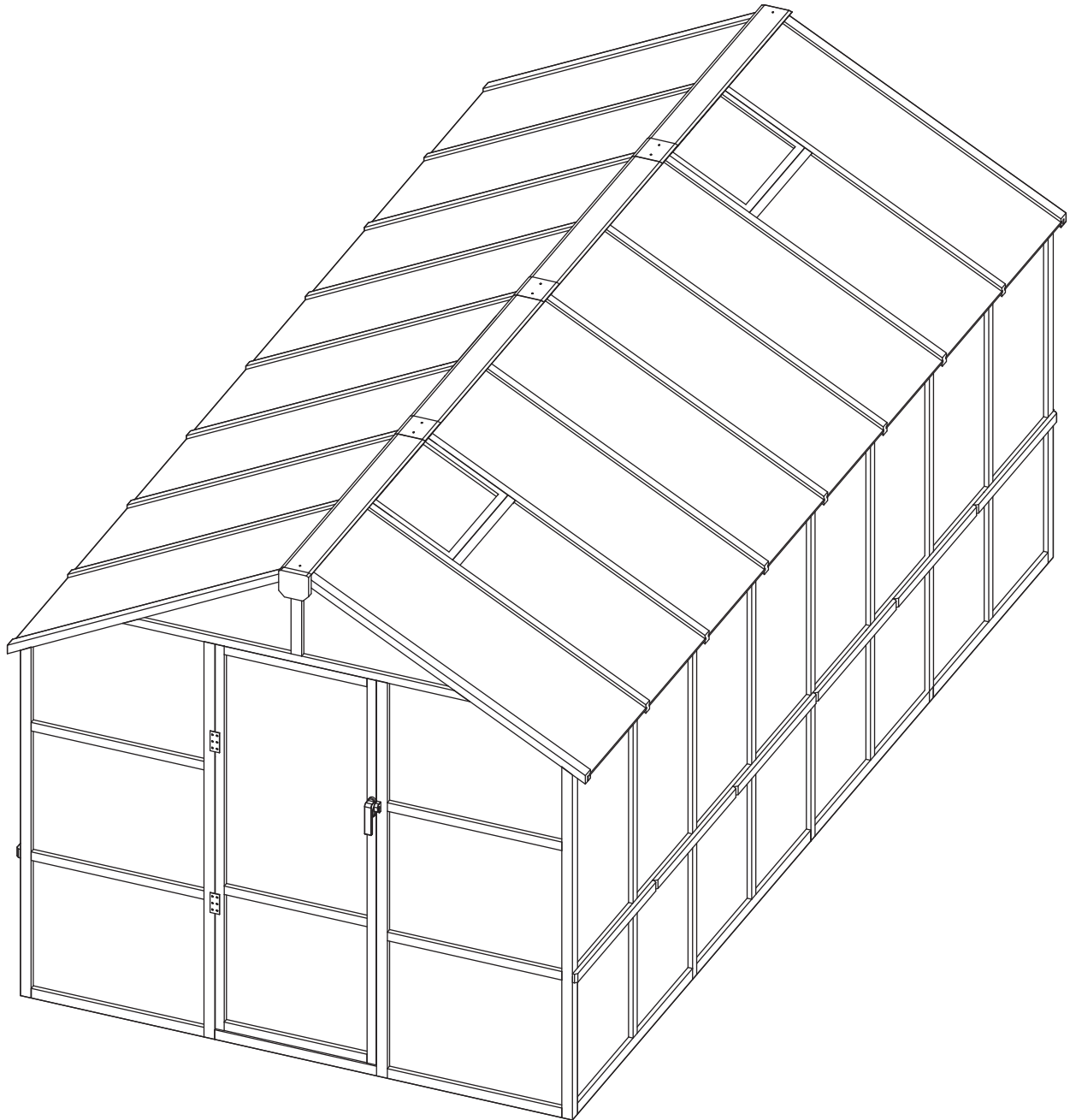


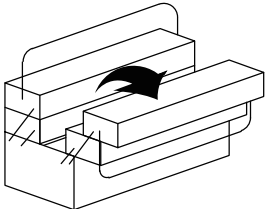
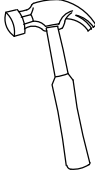




INSTALLATION INSTRUCTIONS

8X16 ft Wooden Greenhouse




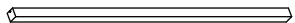






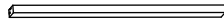


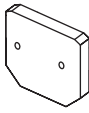




 **EASYHAWKservice@outlook.com**

Our team is available 24/7 to help with any product questions. Contact us anytime!





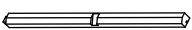


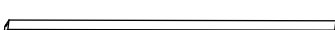


					
Toolbox	Hammer	Glove	Power drill	Tape Measure	Bitbits

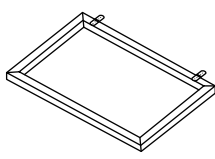






Aluminum Parts

No.	Picture	Qty.
A1	 64.17*1.85*1.85 in	x2
A2	 64.17*1.85*1.85 in	x2
A3	 72.87*1.85*1.85 in	x1
A4	 72.87*1.85*1.85 in	x1
A5	 33.13*1.85*1.85 in	x2
A5-1	 25.31*1.85*1.85 in	x1
A6	 33.13*1.54*1.38 in	x4
A7	 59.25*1.85*1.38 in	x1

No.	Picture	Qty.
A8	 55.28*1.85*1.38 in	x2
A9	 55.28*1.85*1.38 in	x2
A10	 16.02*1.85*1.85 in	x2
A11	 4.72*5.91*0.79 in	x2
A12	 30.71*1.85*1.38 in	x3
A14	 72.87*1.54*1.38 in	x2
A15	 30.71*1.54*1.38 in	x6
A16	 59.25*1.85*1.38 in	x1

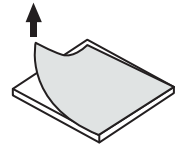
Aluminum Parts

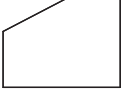


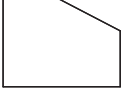





No.	Picture	Qty.
A17	 46.22*1.85*1.38 in	x8
A18	 61.93*1.54*1.38 in	x8
A19	 64.17*1.54*1.38 in	x6
A20	 22.99*1.54*1.38 in	x16
A21	 46.22*1.54*1.38 in	x8
A22	 70.16*1.85*1.85 in	x1
A23	 55.28*1.54*1.38 in	x10
A24	 55.28*1.54*1.38 in	x2
A25	 55.28*1.54*1.38 in	x2
A26	 22.99*1.38*1.38 in	x2

No.	Picture	Qty.
A27		x2
A28	 70.08*1.54*0.98 in	x1
A29	 70.08*1.54*0.98 in	x1
A30	 21.81*1.54*0.98 in	x1
A31	 21.81*1.54*0.98 in	x1
A32	 21.81*1.54*0.98 in	x1
A33	 57.99*1.85*1.85 in	x2

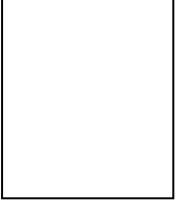


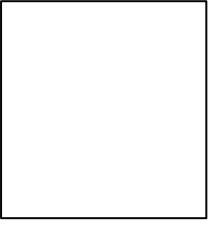
TWin PC Board

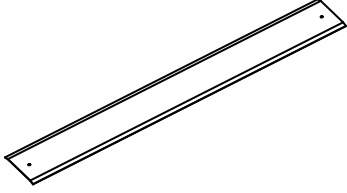
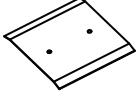
The white film faces outwards if applicable.



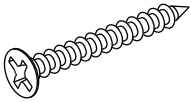
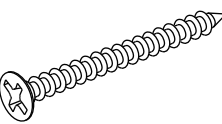
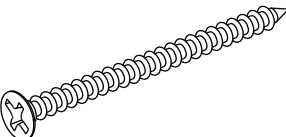
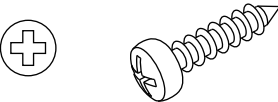
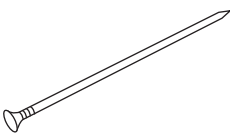
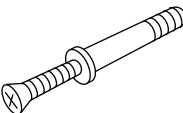
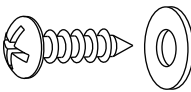
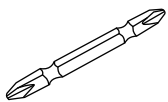
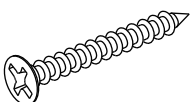
No.	Picture	Qty.	
B		B1	2PCS
		B2	2PCS
		B3	4PCS
		B4	2PCS
		B5	4PCS
		B6	16PCS
		B7	14PCS
		B8	2PCS
		B9	1PCS

Hardware


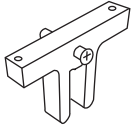

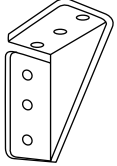
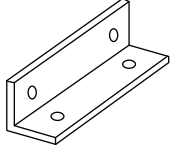
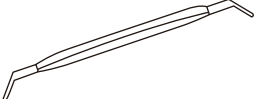
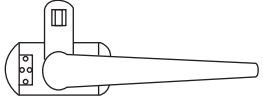

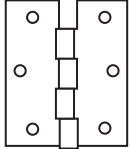
No.	Picture	Qty.
C1		x2
C2		x3
C3		x16
C4		x1




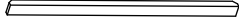




No.	Picture	Qty.
D1		x4
D2		x3

Hardware

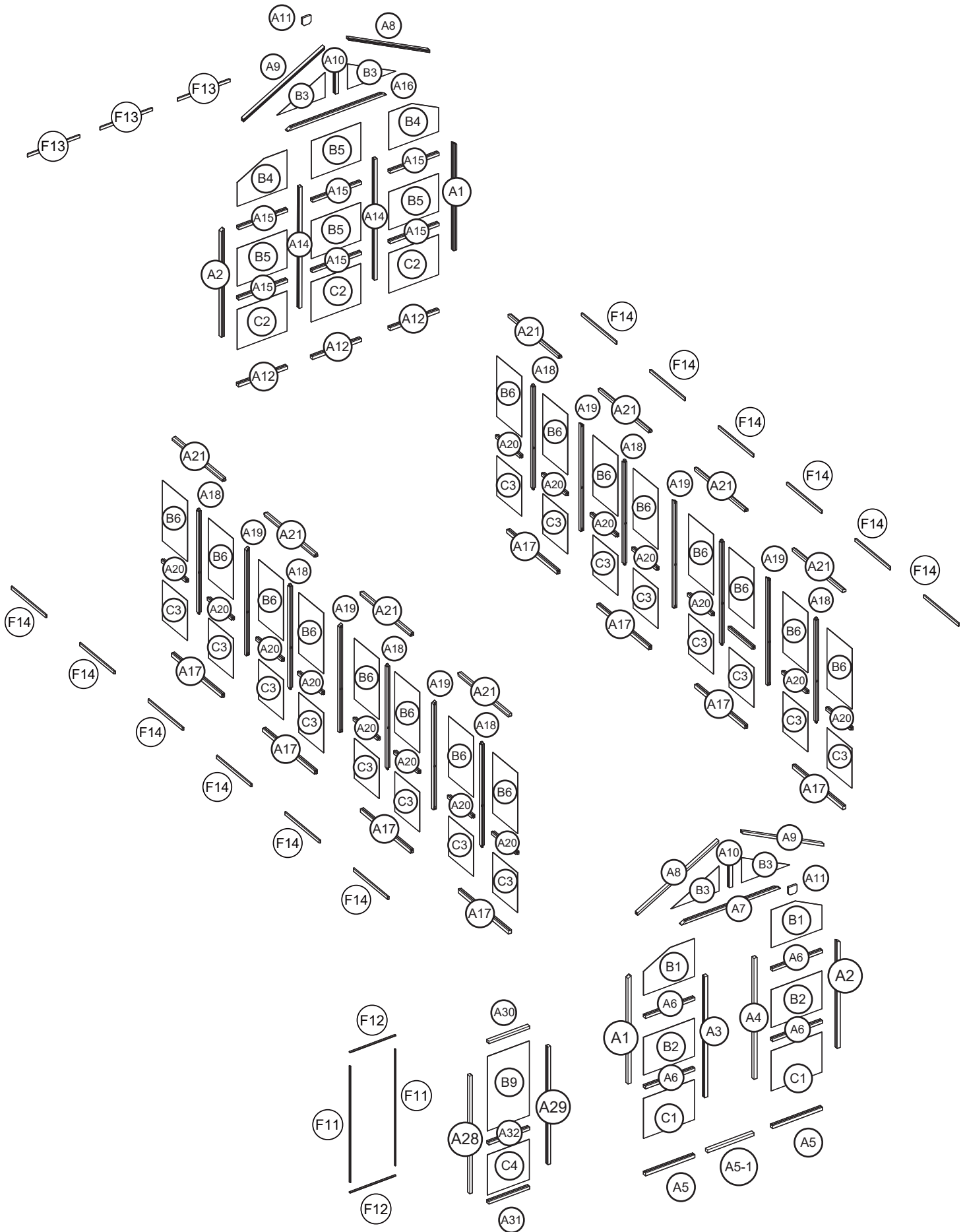
No.	Picture	Qty.	Size
E1	 A single M4x20 screw with a Phillips head.	x194+5	M4x20
E2	 A single M4x30 screw with a Phillips head.	x157+5	M4x30
E3	 A single M4x50 screw with a Phillips head.	x42+2	M4x50
E4	 Two M4x16 screws with Phillips heads, one shown from the side and one from the top.	x14+2	M4x16
E5	 A single long screw with a Phillips head.	x24	
E6	 A single screw with a Phillips head and a threaded section.	x24	
E7	 A single M4x40 screw with a Phillips head and a washer.	x98+4	
E8	 A single screw with a Phillips head and a threaded section.	x1	
E9	 A single M4x40 screw with a Phillips head.	x30+2	M4x40

Hardware

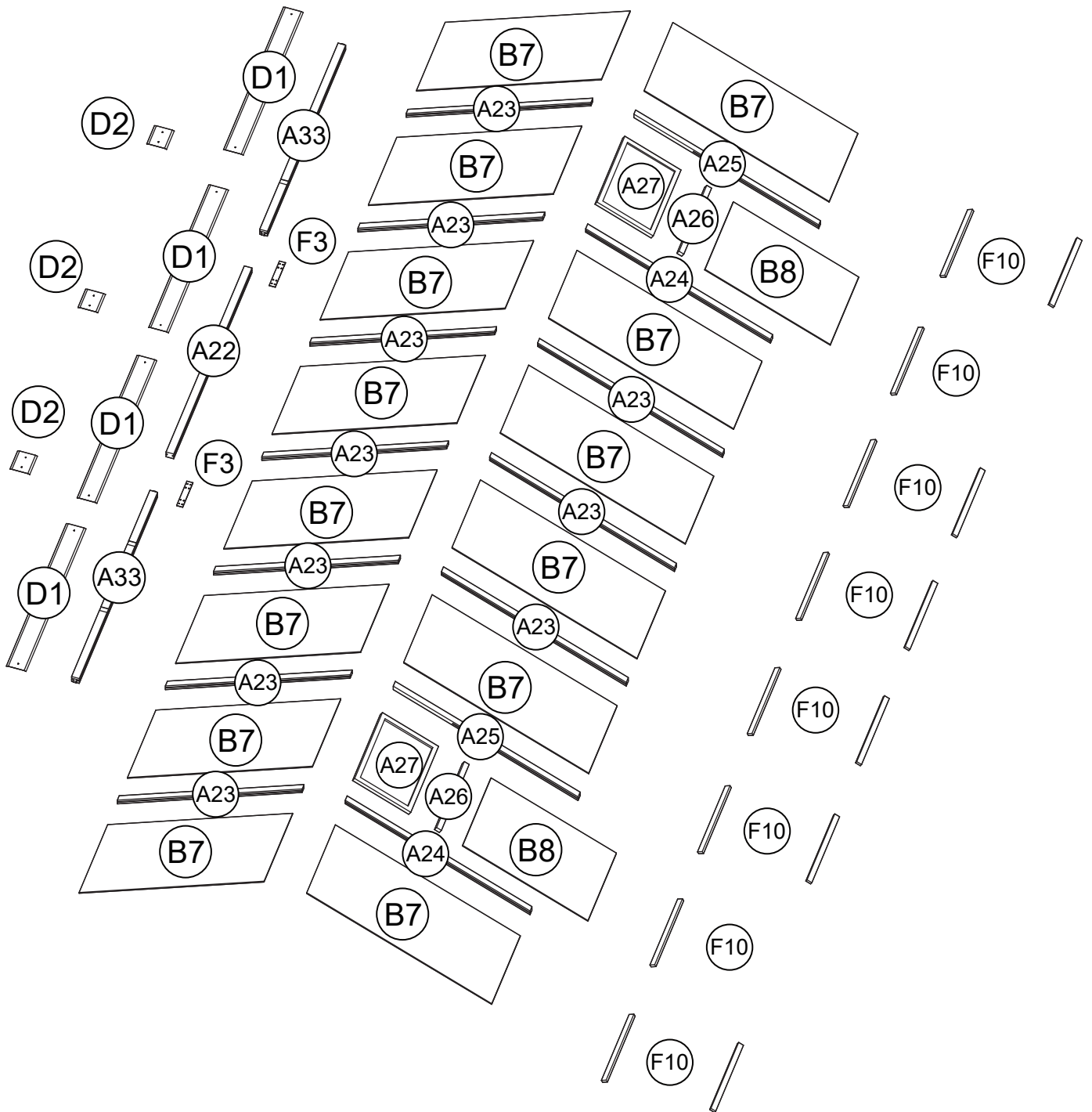
No.	Picture	Qty.
F1		x2
F2		x2
F3		x18
F4		x2
F5		x12
F6		x21
F7		x1
F8		x1
F9		x2

No.	Picture	Qty.
F10		x14
F11	 69.69*0.79*0.39 in	x2
F12	 23.43*0.79*0.39 in	x2
F13	 31.22*1.54*0.79 in	x3
F14	 31.06*1.54*0.79 in	x12
F15		x36
F16		x4
F17		x4

WALL SECTION



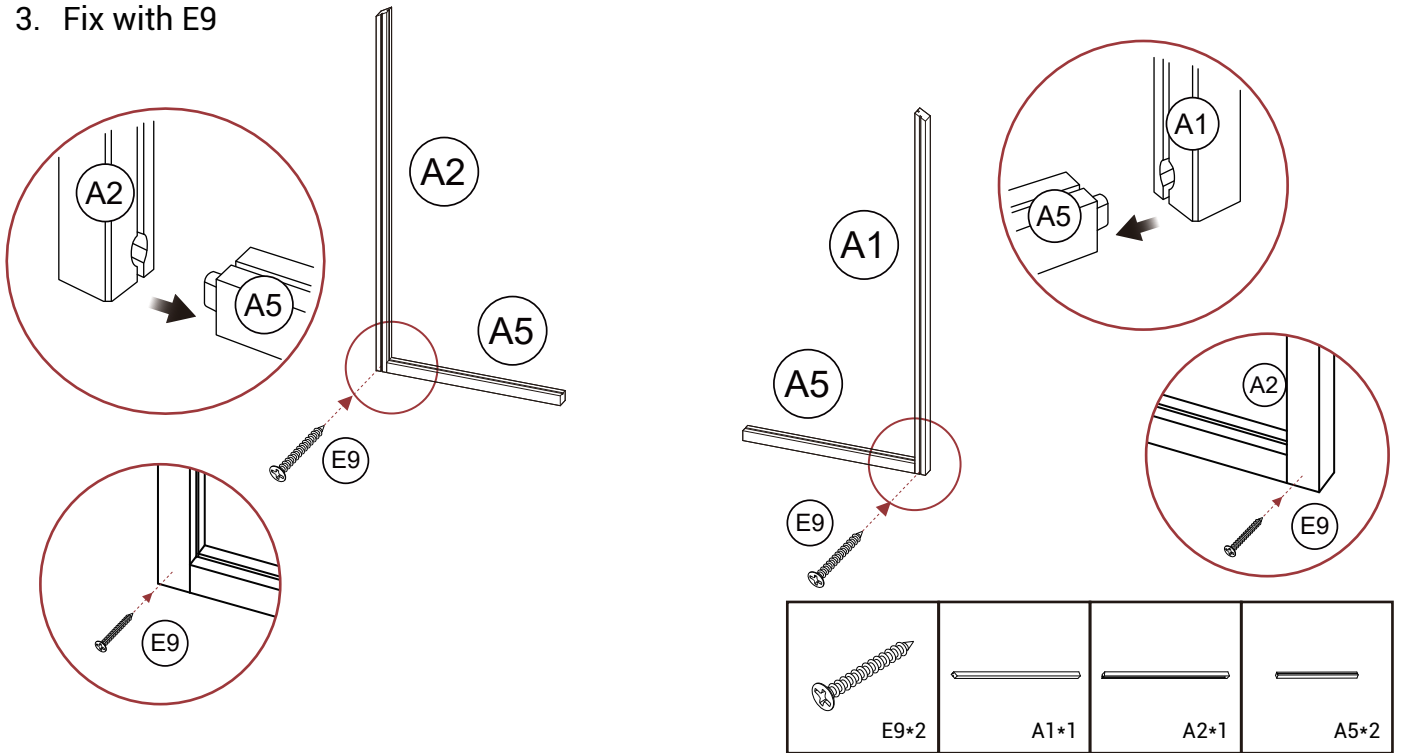
ROOF SECTION



STEP 1

Front frame installation 1

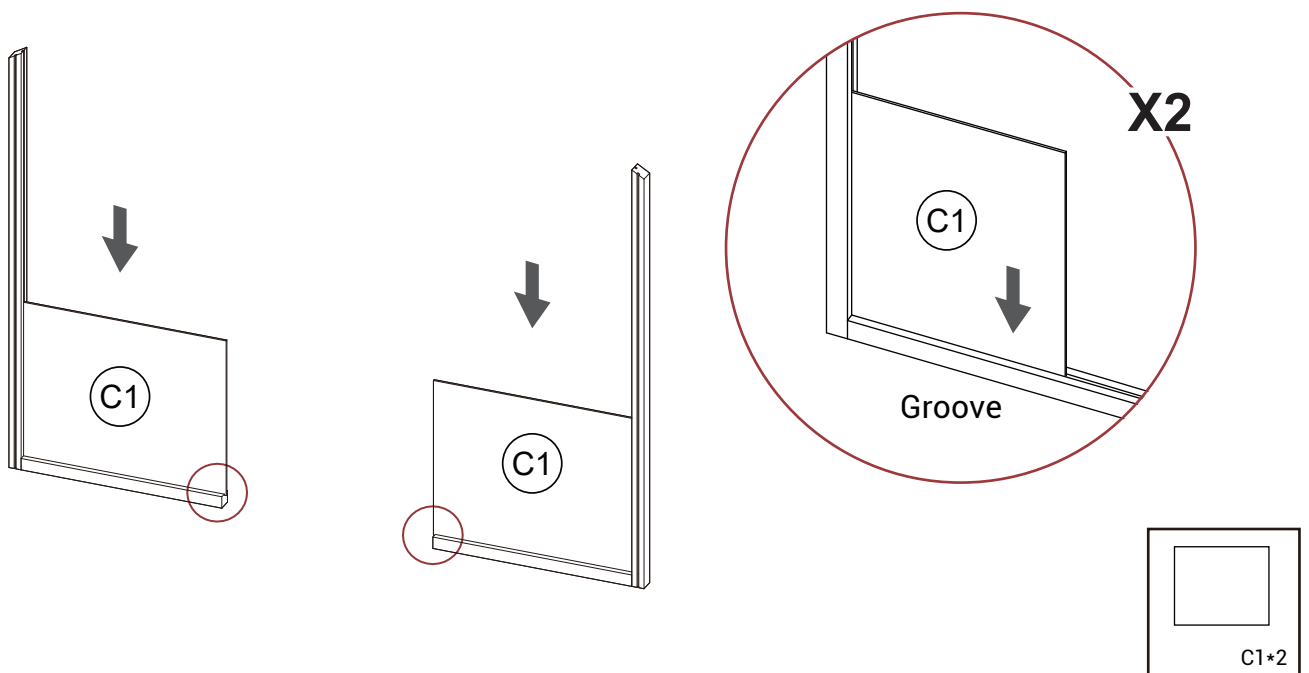
1. A5 with the card slot facing up
2. Align the plugs on both sides of A5 with the A1 and A2 sockets and insert them
3. Fix with E9



STEP 2

Front frame installation 2

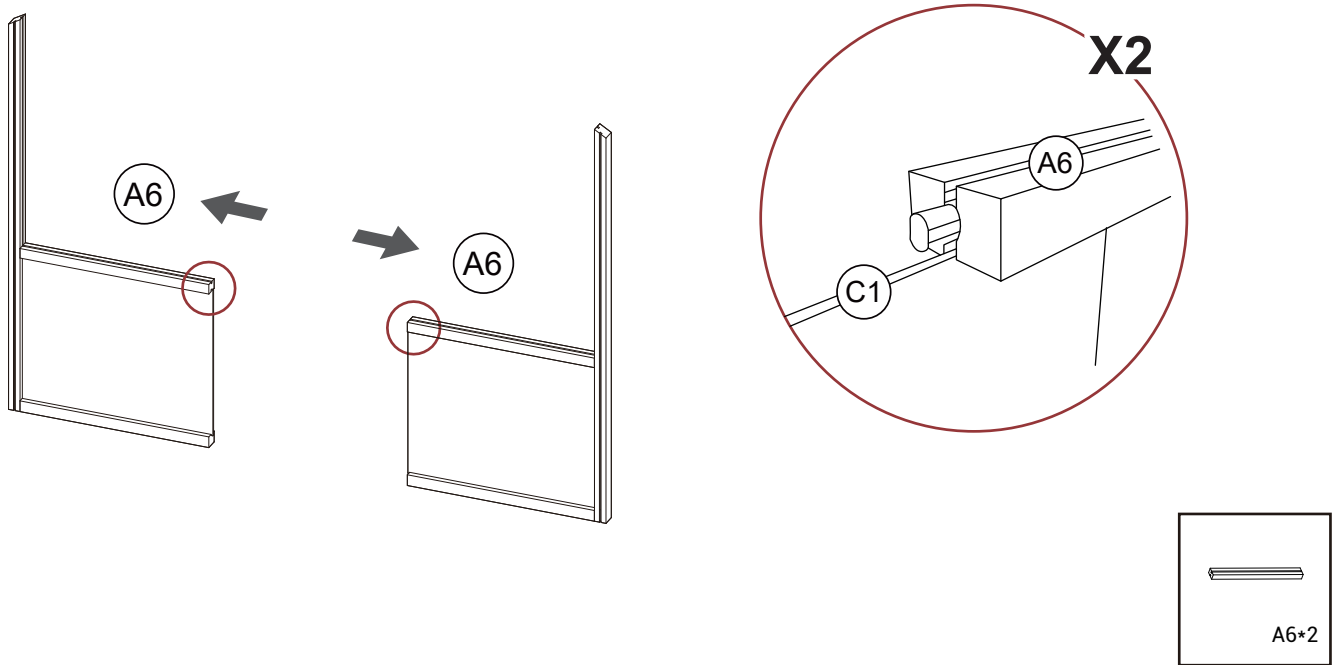
1. Insert C1 downward along the groove of the wood strip into the groove of the wood strip



STEP 3

Front frame installation 3

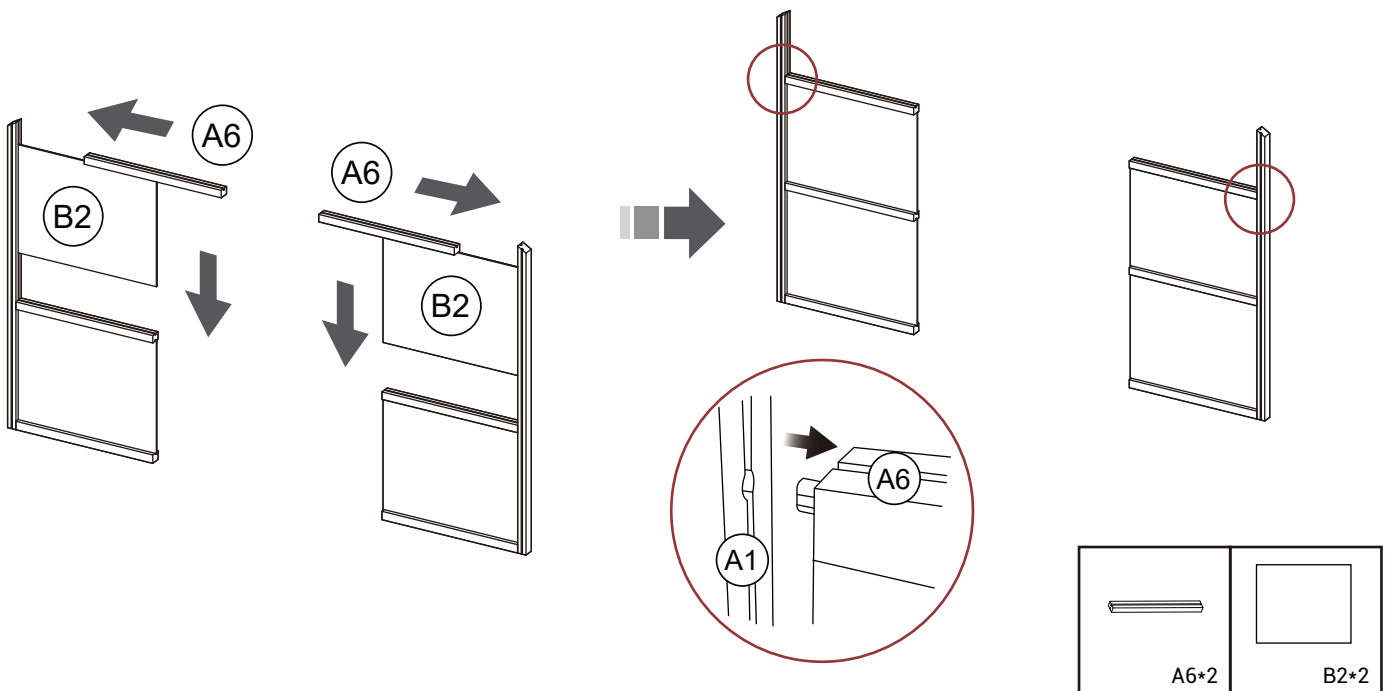
1. Align the groove of A6 with C1 and push it inward along the wooden board until the plug is inserted into the socket



STEP 4

Front frame installation 4

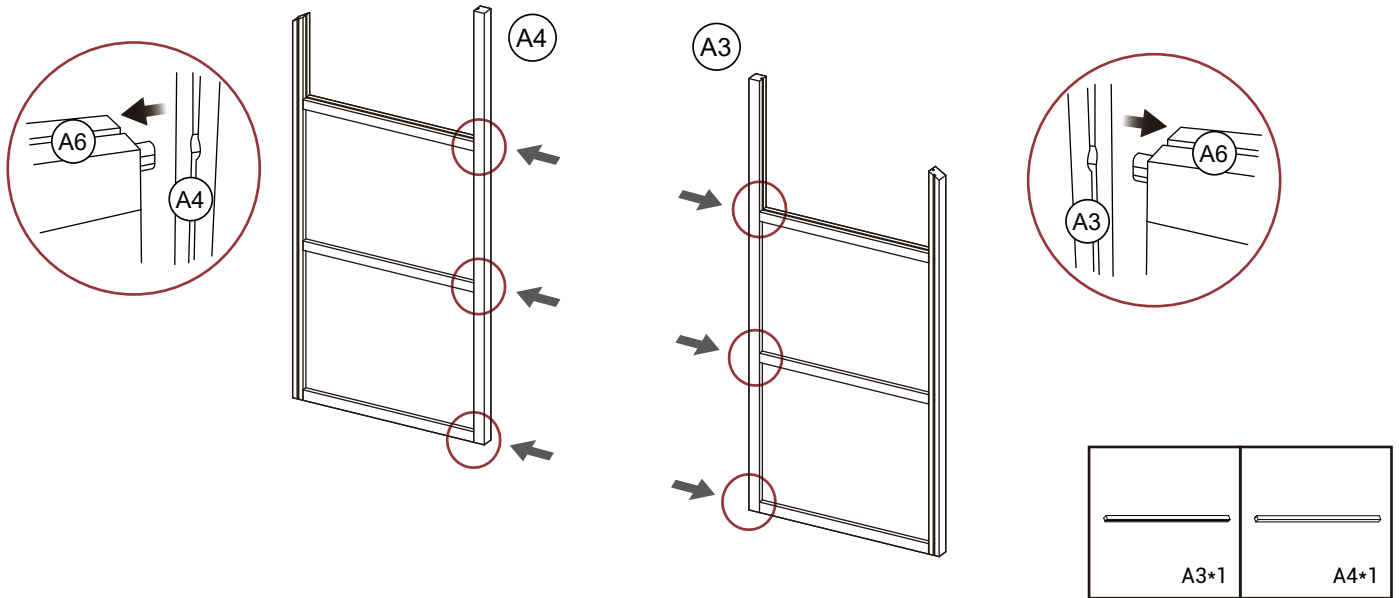
1. Insert B2 downward into the A6 slot
2. Align the A6 slot with B2 and push inward until the plug is inserted into the socket



STEP 5

Front frame installation 5

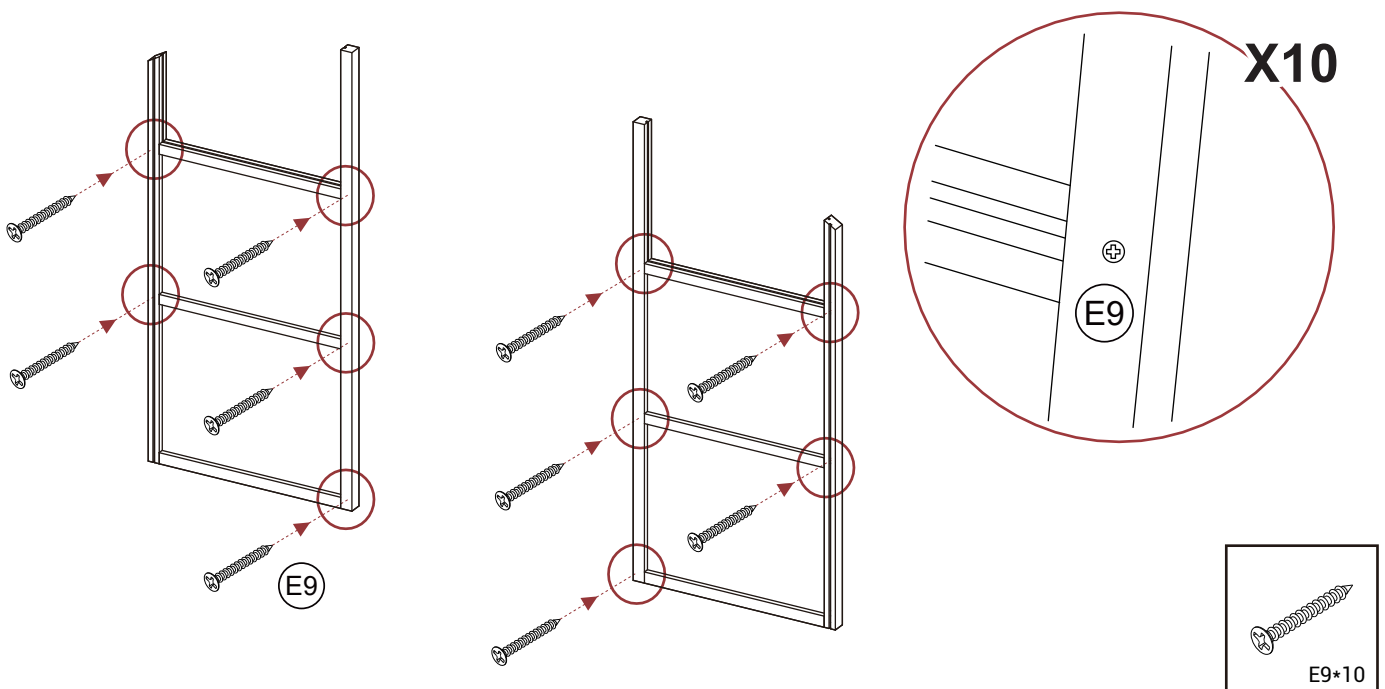
1. Align the plug at the bottom of A3 with the socket on A5 and insert it, and align the socket on A3 with the plug on A6
2. Align the plug at the bottom of A4 with the socket on A5 and insert it, and align the socket on A4 with the plug on A6



STEP 6

Front frame installation 6

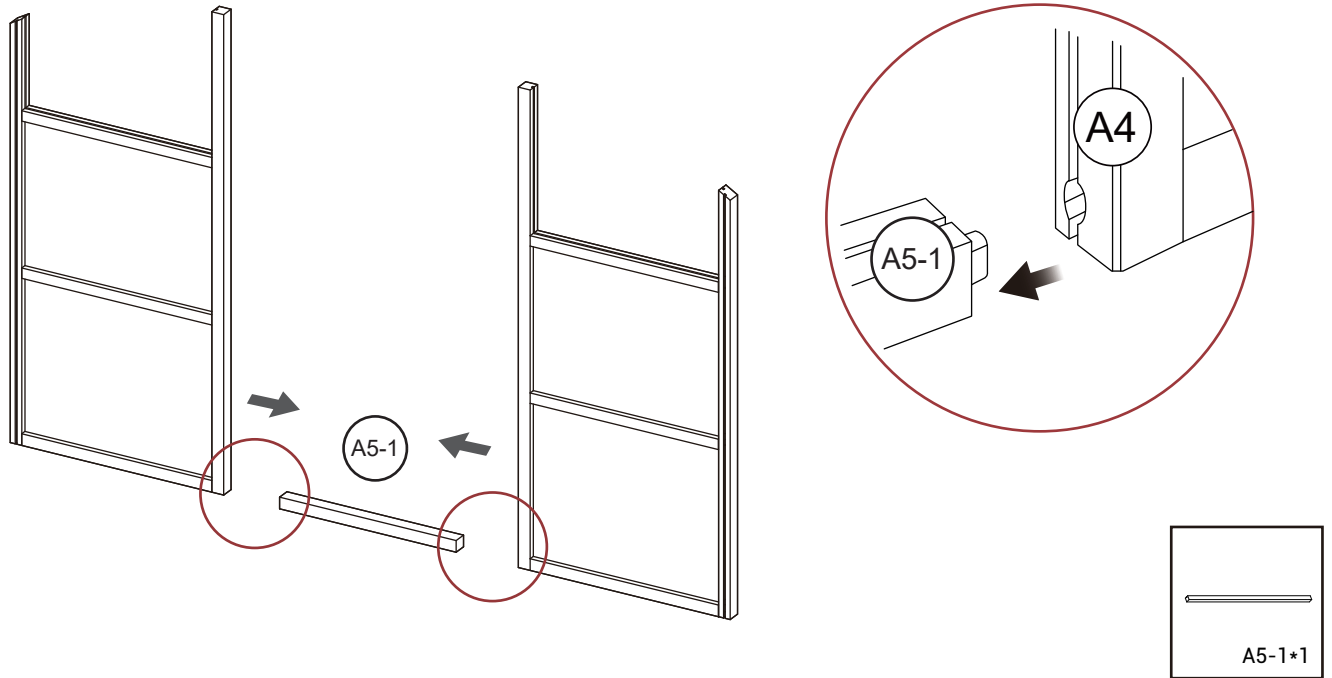
1. Fix with E9



STEP 7

Front frame installation 7

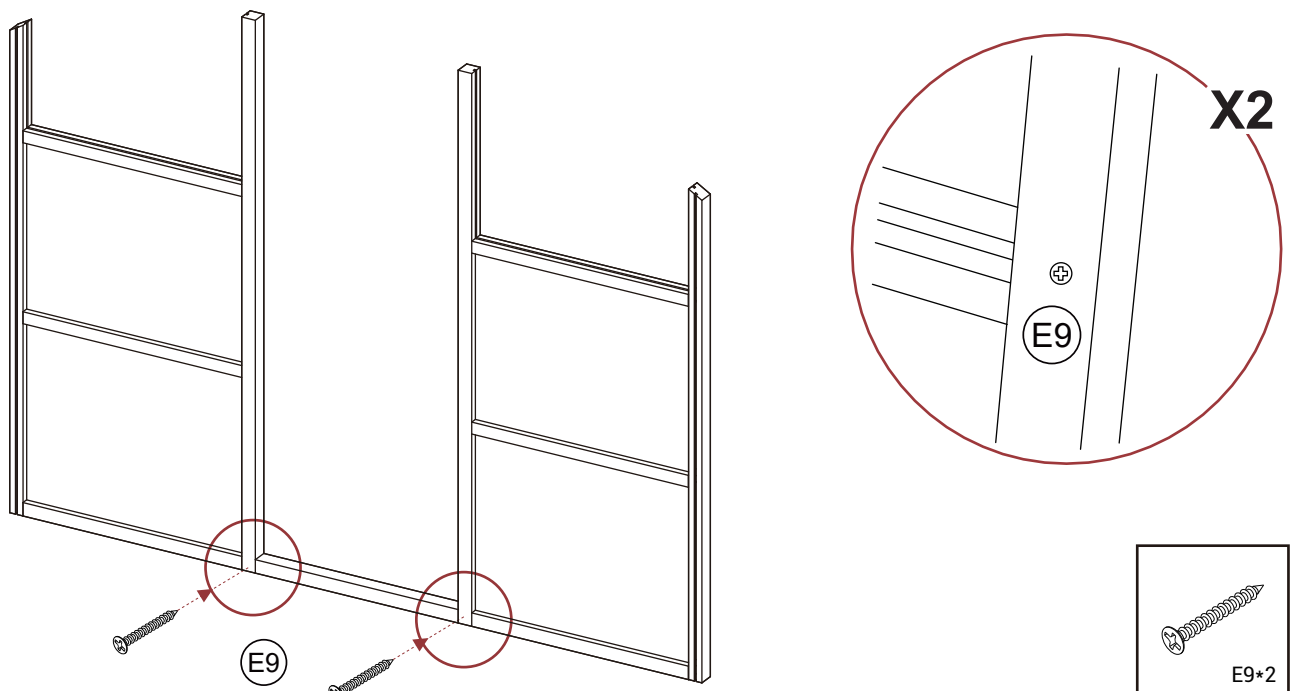
1. Connect the plug at the bottom of A5-1 to A3 and A4, aligning the bottoms and inserting them for connection



STEP 8

Front frame installation 6

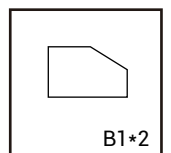
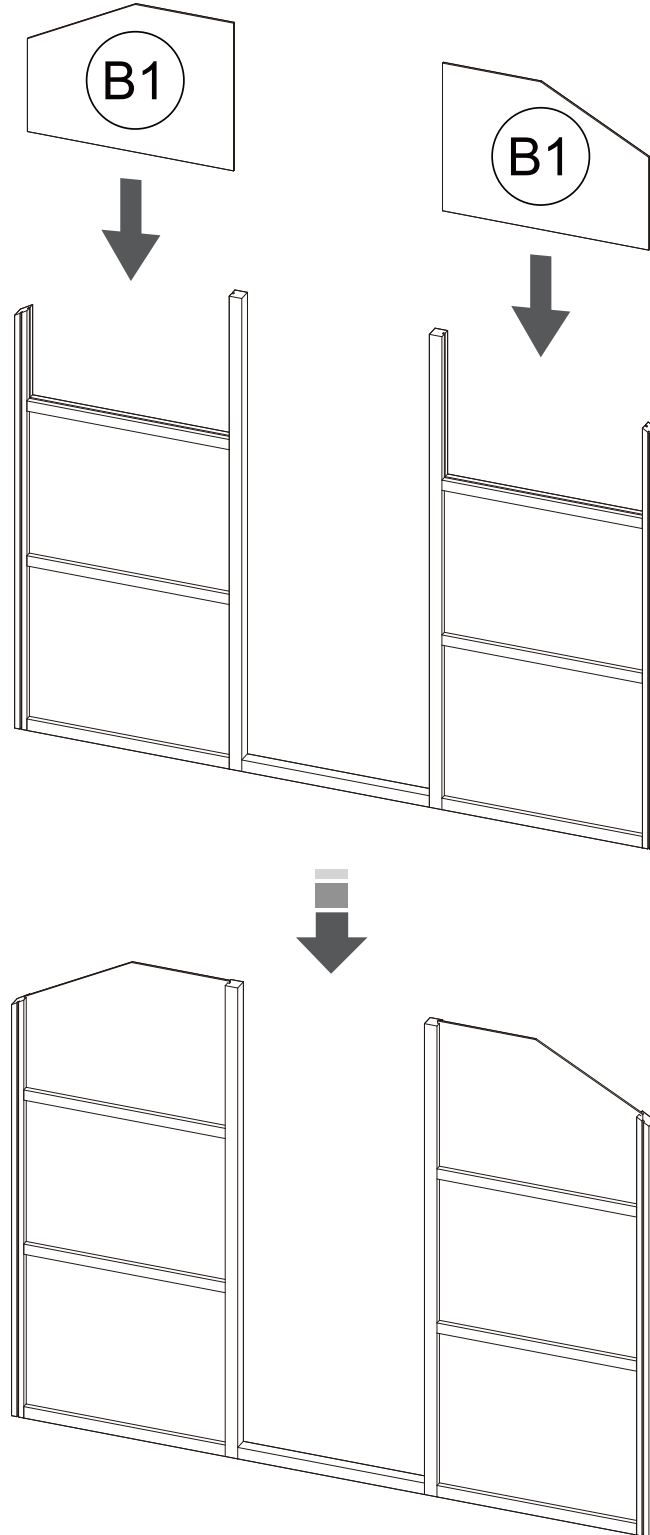
1. Fix with E9



STEP 9

Front frame installation 9

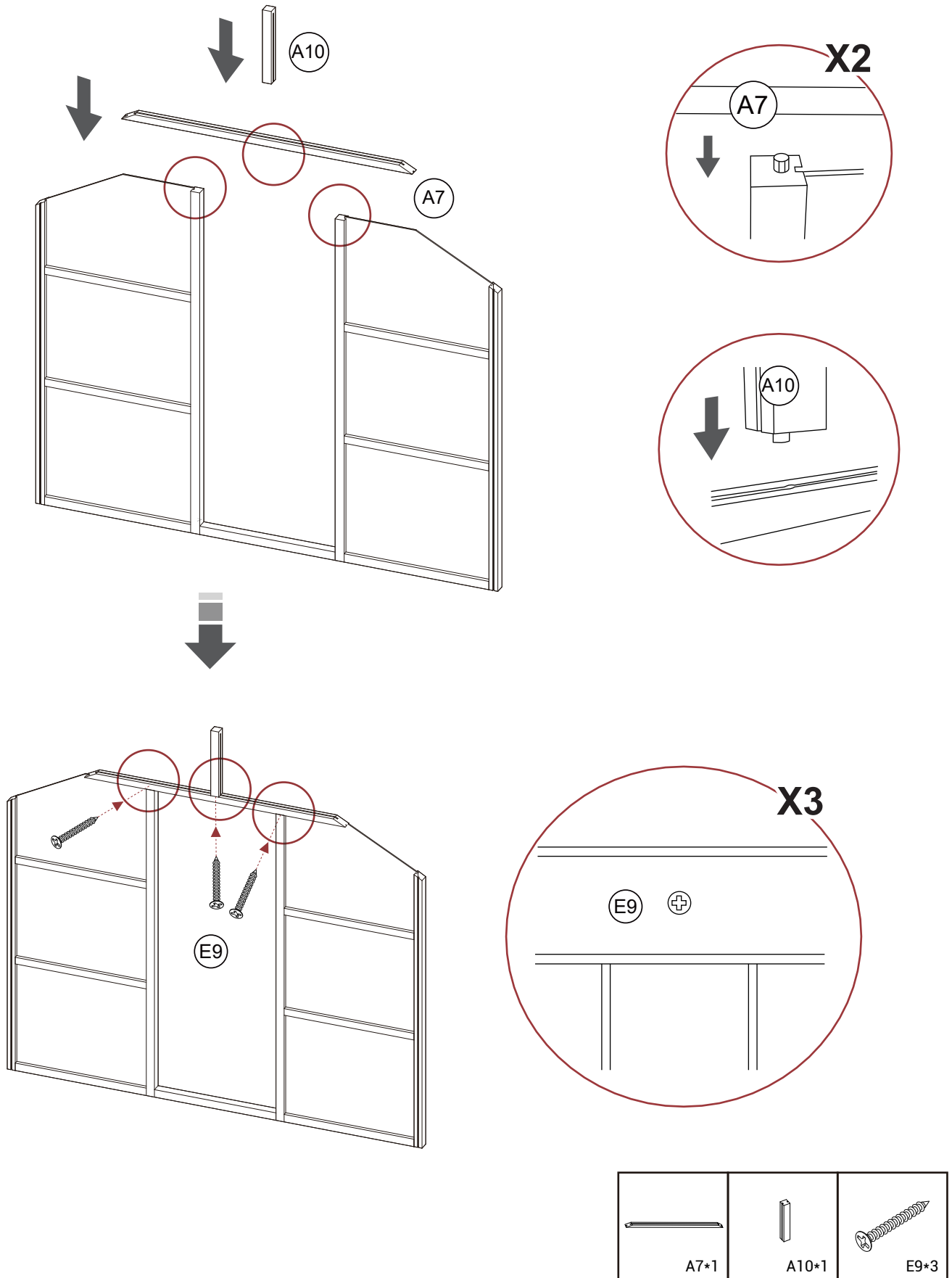
1. Insert B1 into the front frame



STEP 10

Front frame installation 10

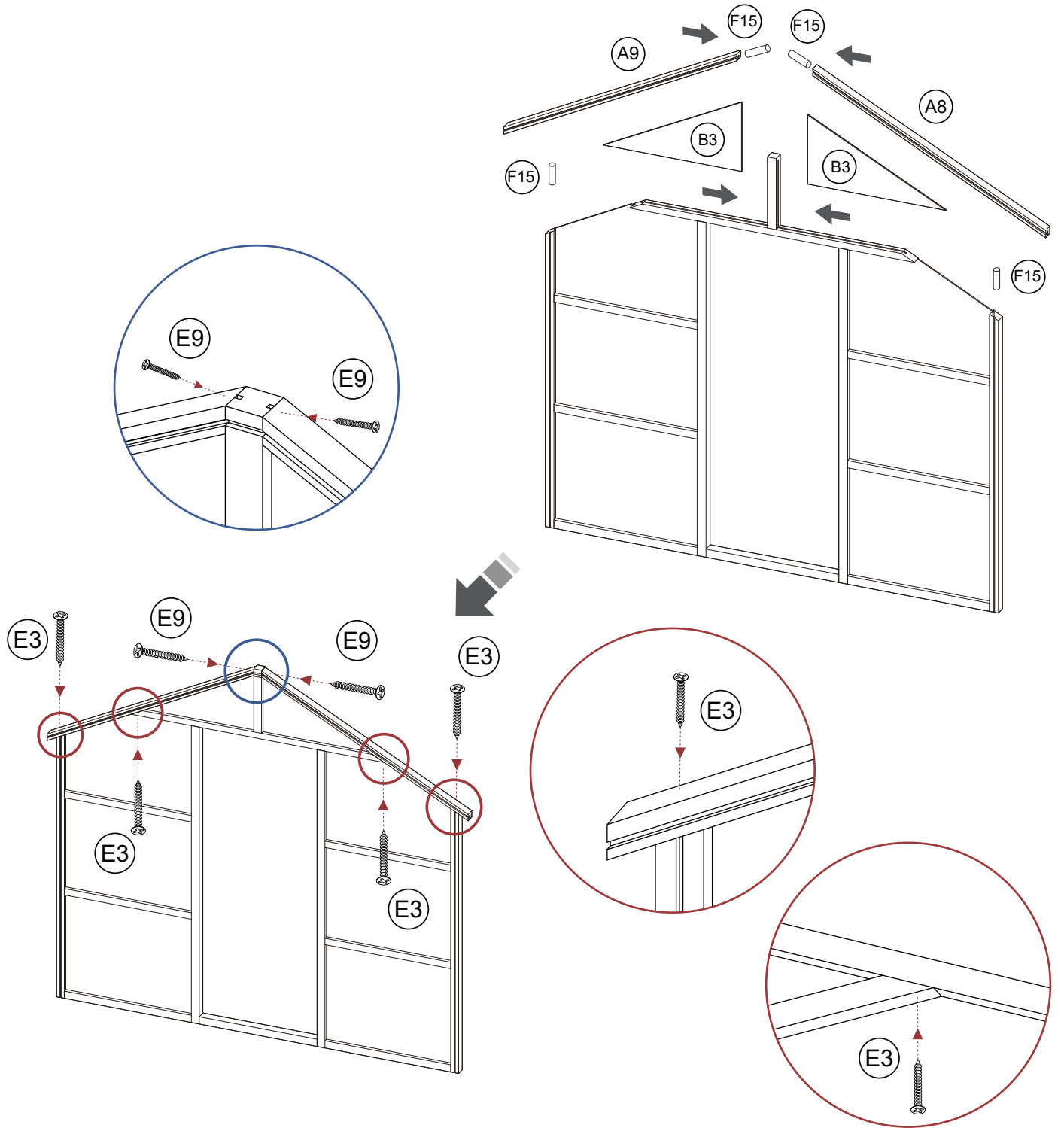
1. Insert A7 into the front frame
2. Insert A10 into A7
3. Fix with E9



STEP 11

Front frame installation 11

1. Insert B3 into A10 slot
2. Insert F15 into A8 and A9
3. Insert A8 and A9 into A10 respectively
4. Fix with E3/E9

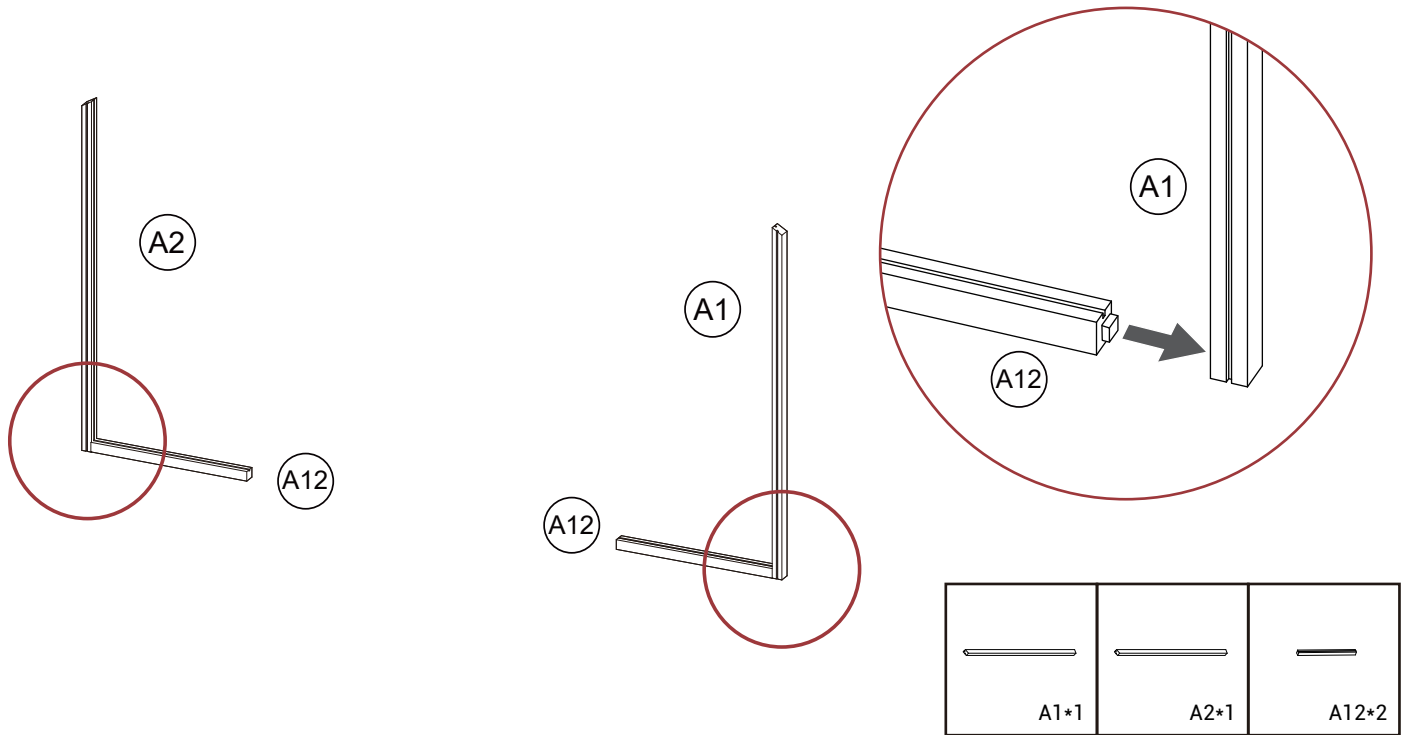


A8*1	A9*1	B3*2	F15*4	E3*4	E9*2

STEP 12

Rear frame installation 1

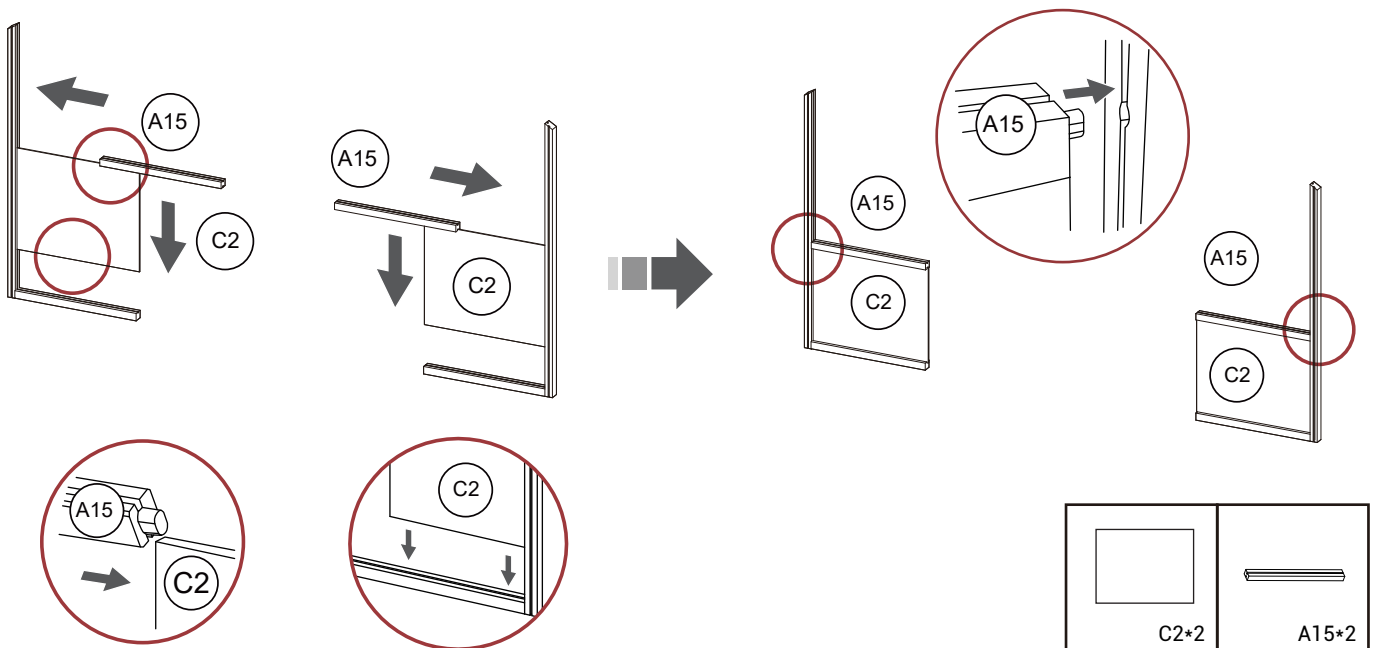
1. A12 with the card slot facing up
2. Aim the A12 plug at the A1 A2 jack and insert it



STEP 13

Rear frame installation 2

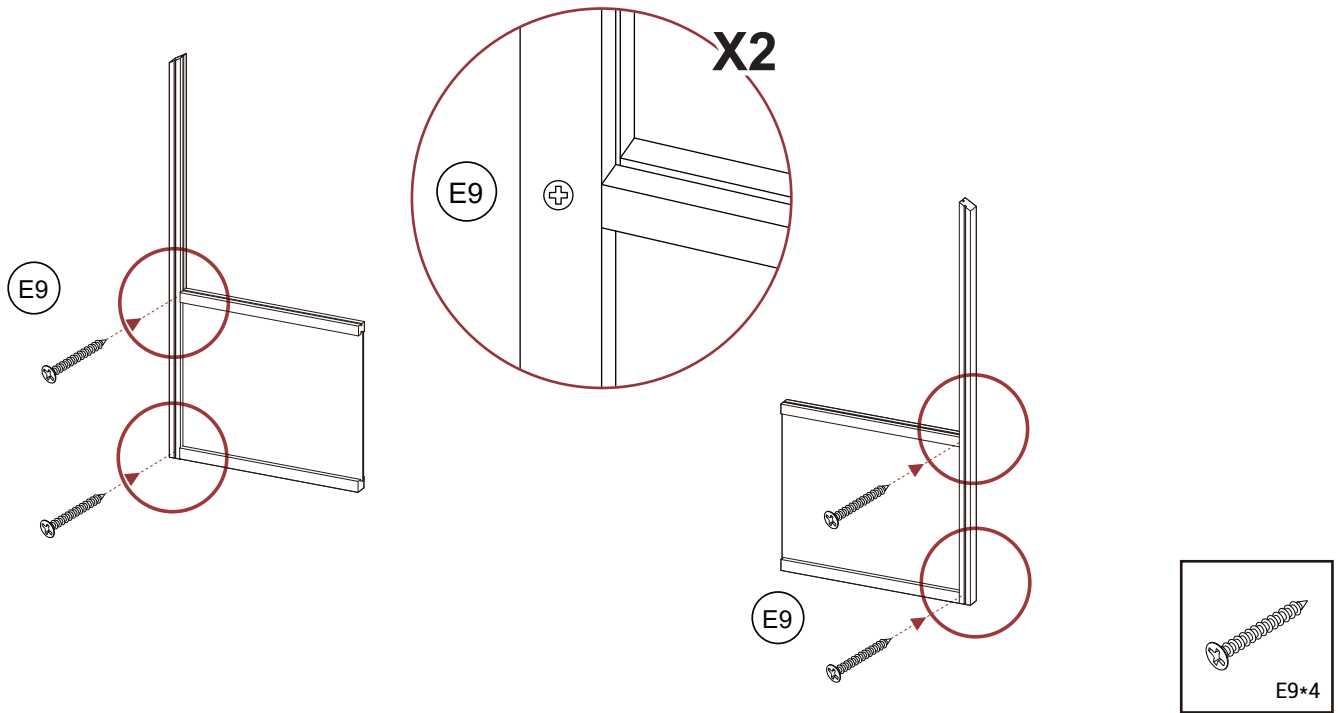
1. Insert C2 downward into the A12 slot
2. Align the A15 slot with C2 and push inward until the plug is inserted into the socket



STEP 14

Rear frame installation 3

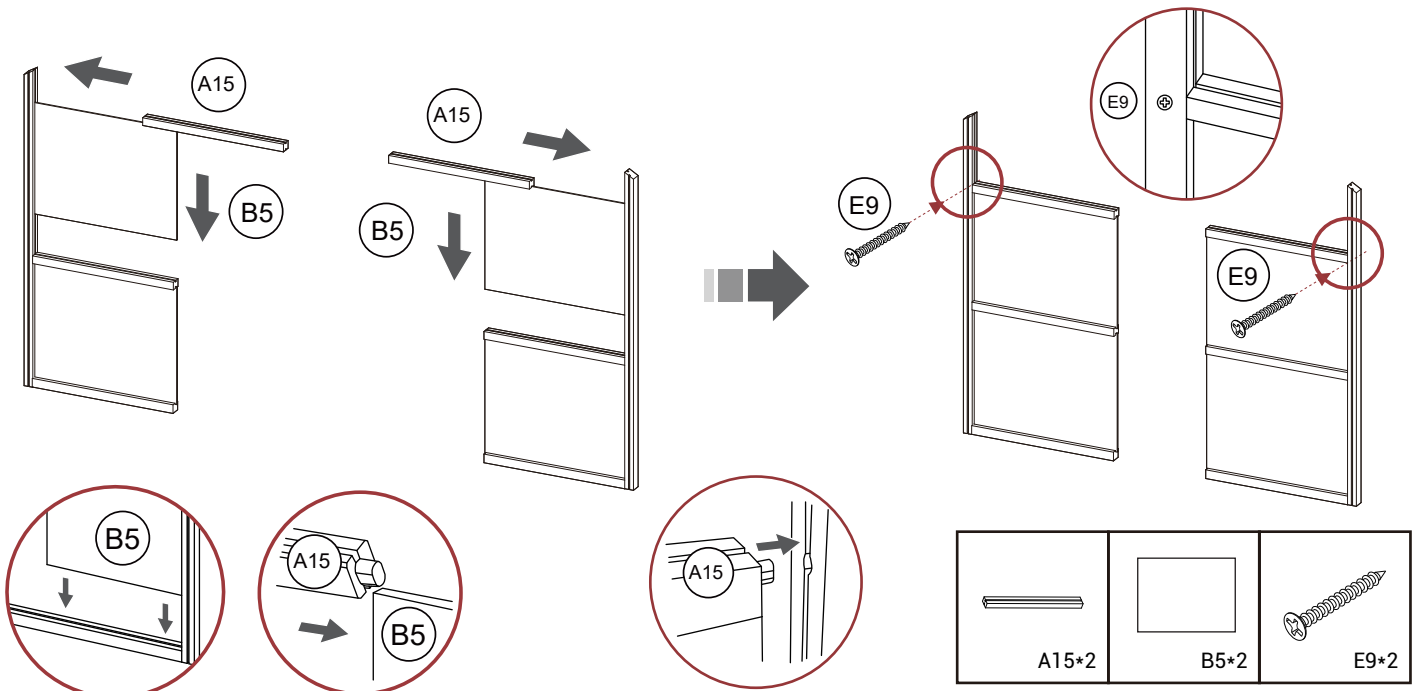
1. Fix with E9



STEP 15

Side frame installation 4

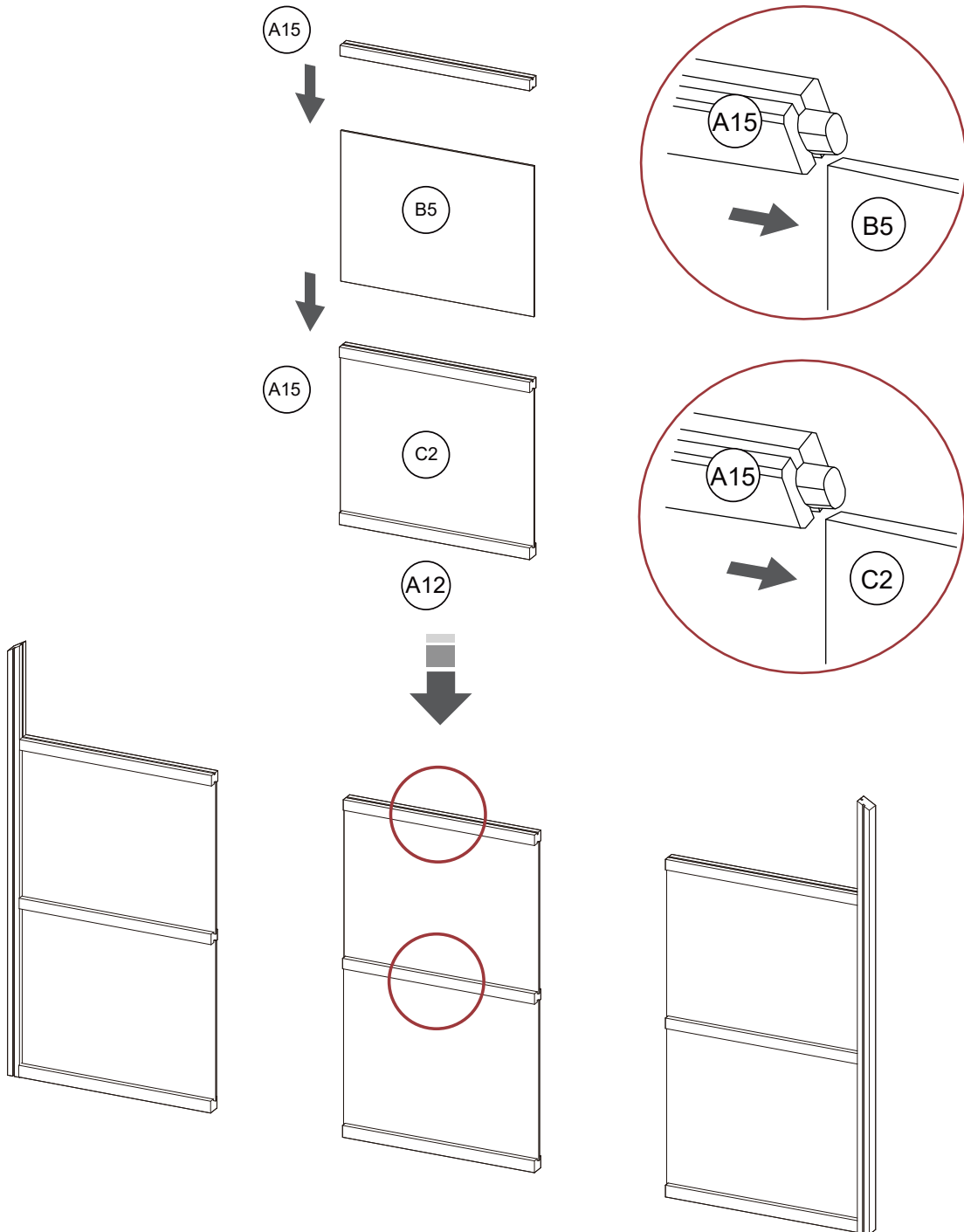
1. Insert B5 downward into the A12 slot
2. Align the A15 slot with C2 and push inward until the plug is inserted into the socket
3. Fix with E9







STEP 16

Rear frame installation 5

1. Insert C2 downward into the A12 slot
2. Align the A15 slot with C2 and push inward until the plug is inserted into the socket

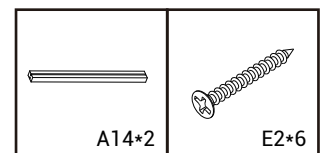
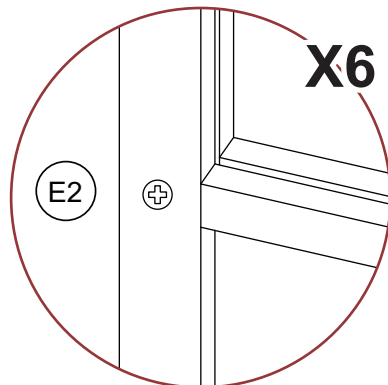
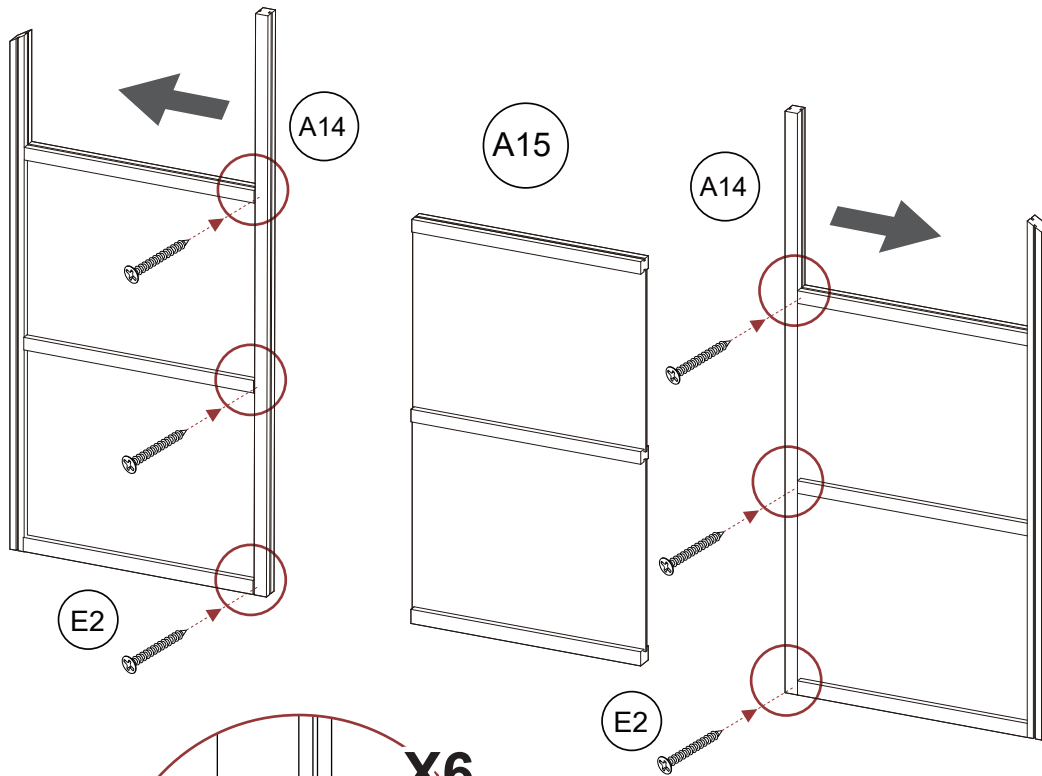
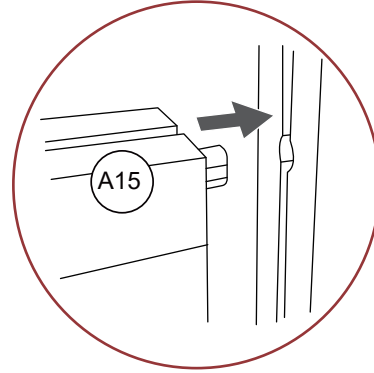
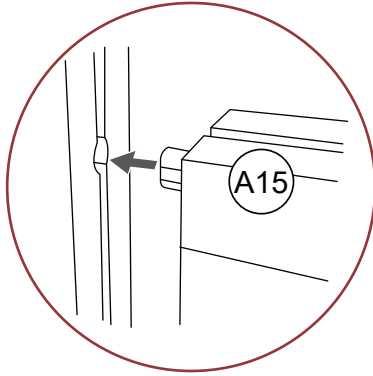


			
A12*1	A15*2	B5*1	C1*1

STEP 17

Rear frame installation 6

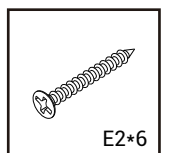
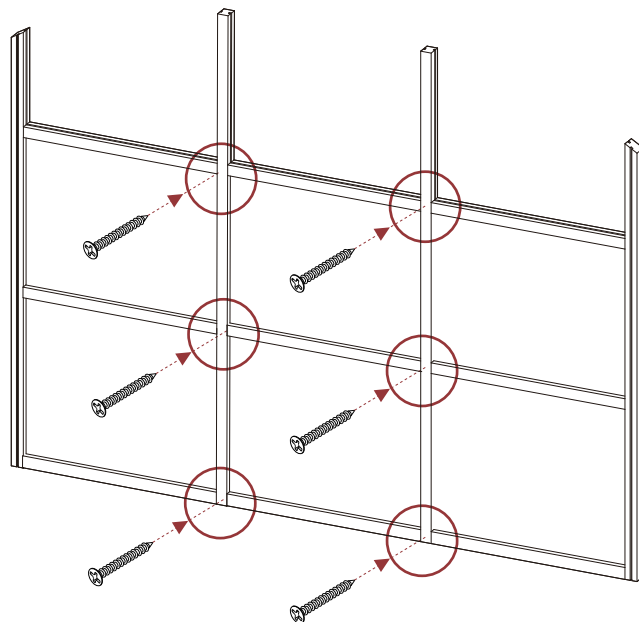
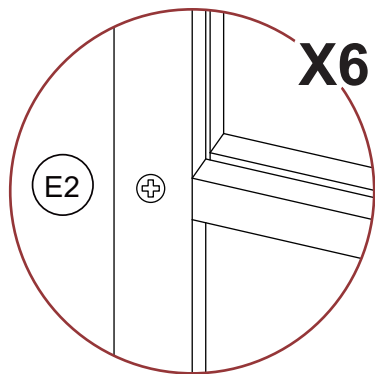
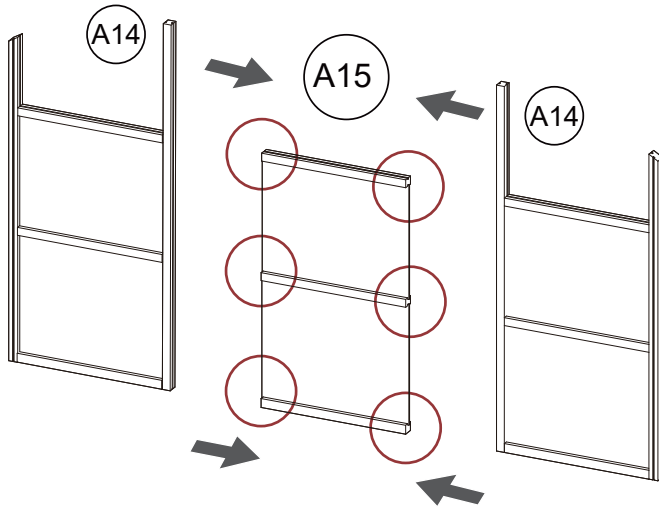
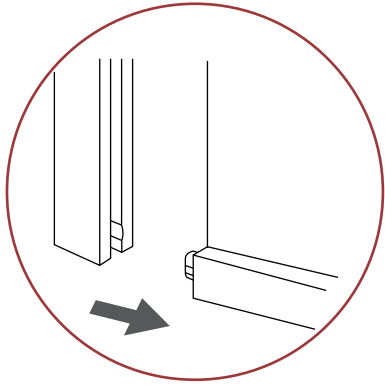
1. Align the A14 slot with the C2 and push inward until the plug fits into the socket.
2. Fix with E2



STEP 18

Rear frame installation 7

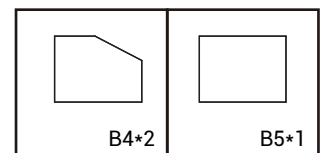
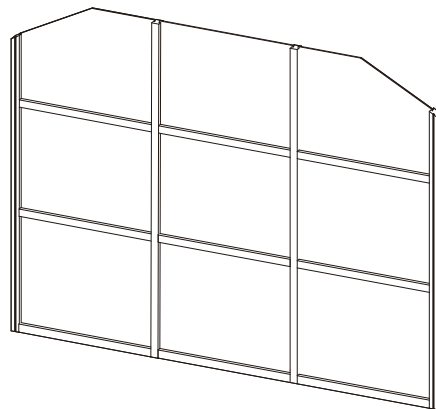
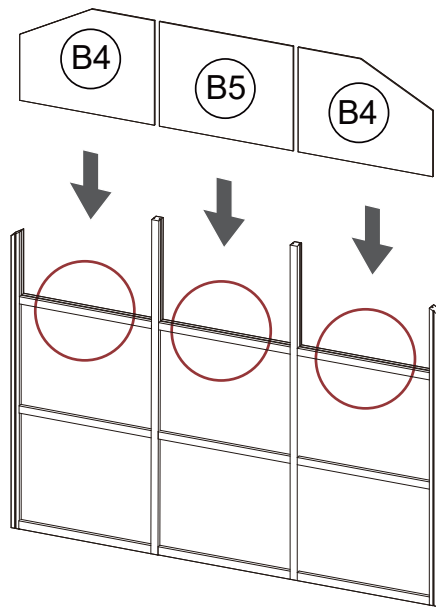
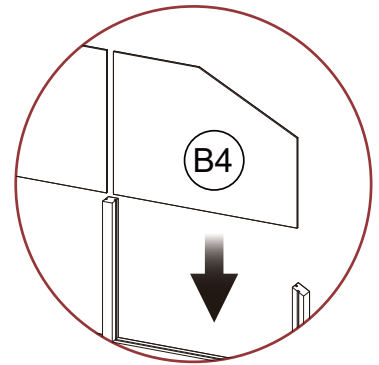
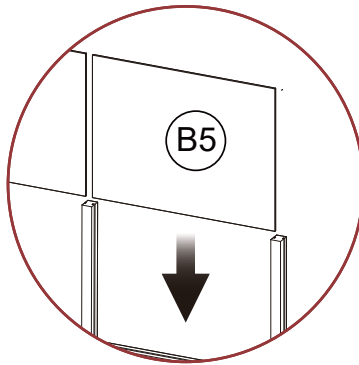
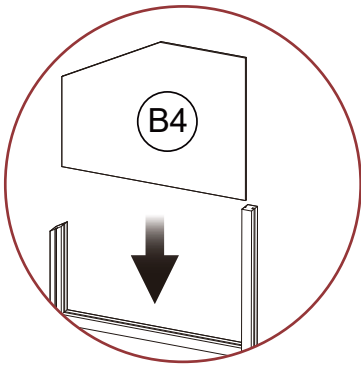
1. Connect to A14 and A5, align the bottoms, and insert to connect
2. Fix with E2



STEP 19

Rear frame installation 8

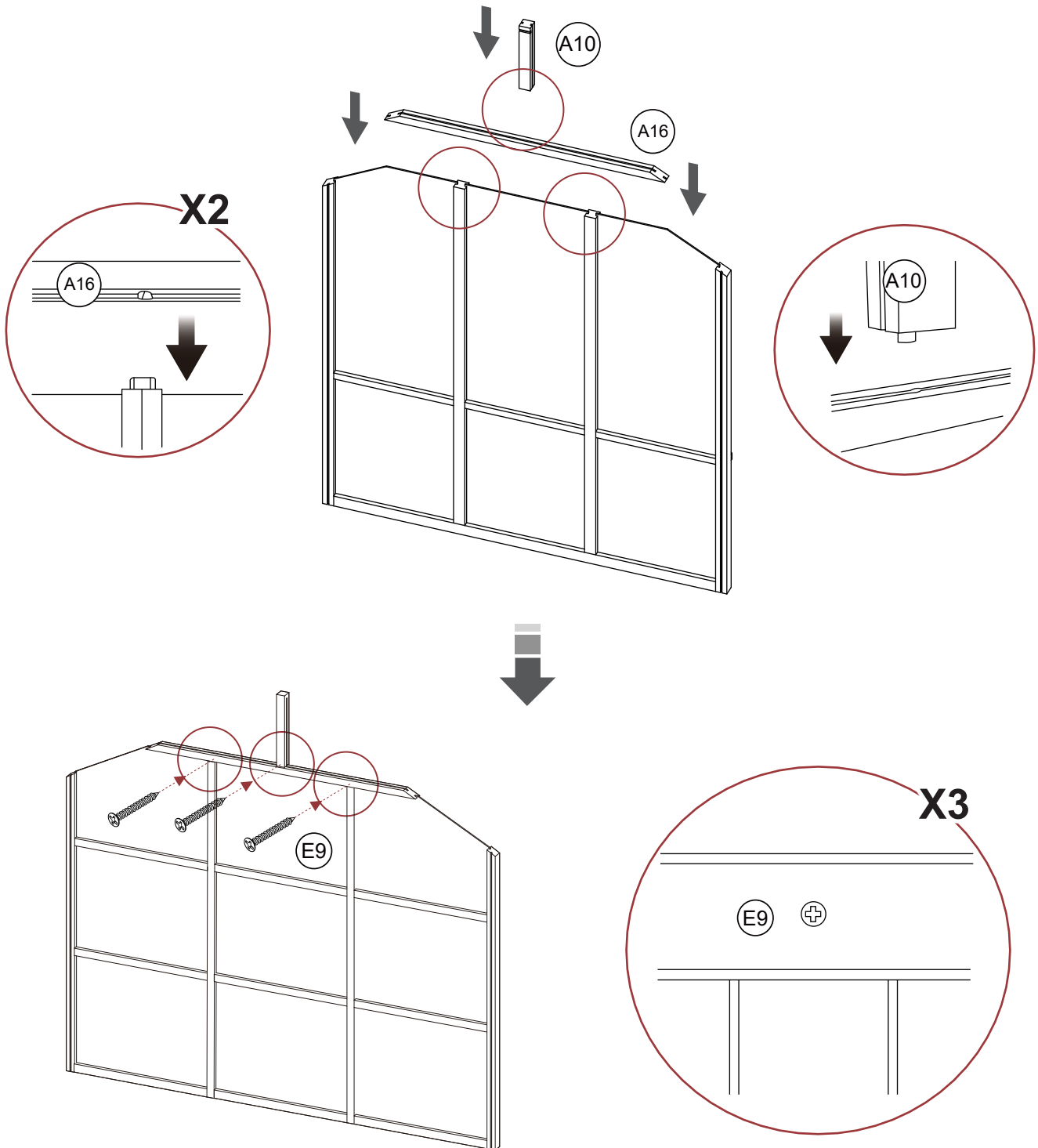
1. Place B3 and B4 down along the groove of the rear frame



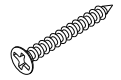


STEP 20

Rear frame installation 9

1. Plug A16 into the rear frame
2. Plug A10 into A16
3. Fix with E9

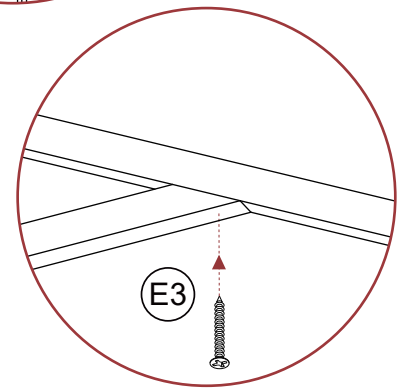
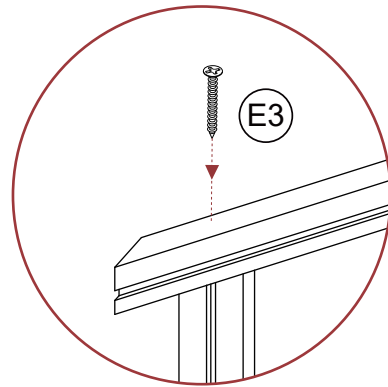
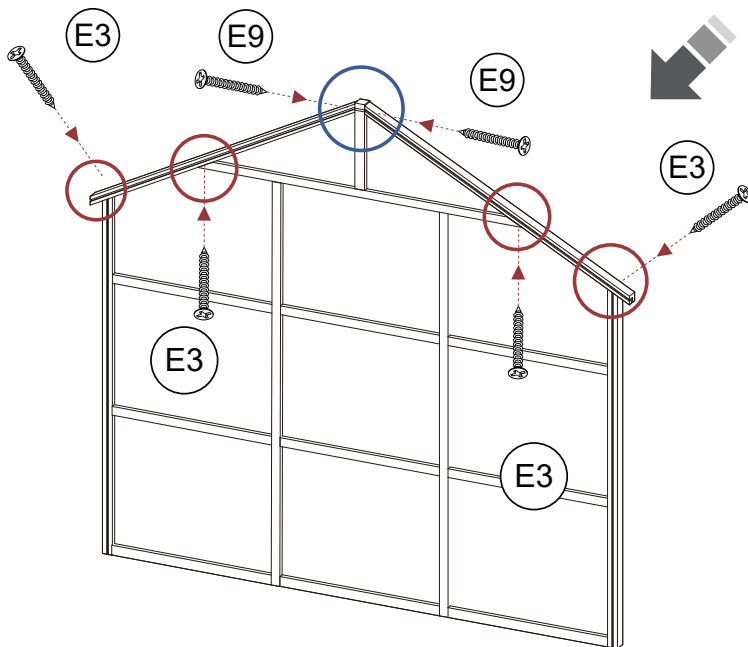
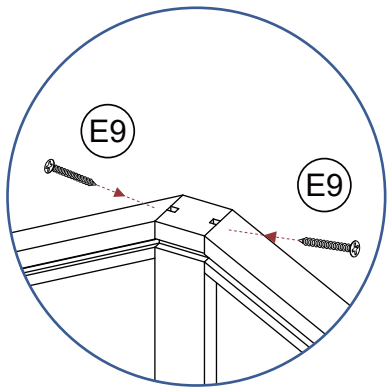
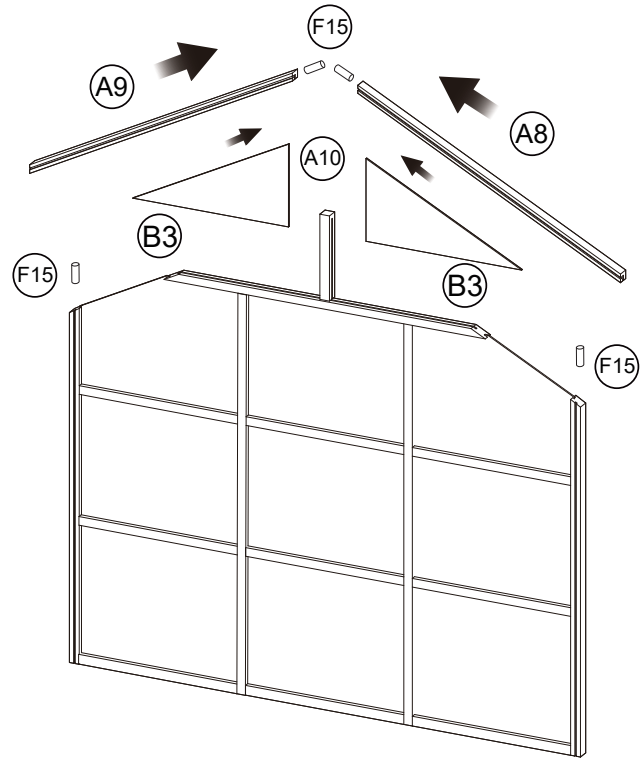


		
A10*1	A16*1	E9*3

STEP 21

Rear frame installation 10

1. Insert B3 into A15 slot
2. Insert F15 into A8 and A9
3. Insert A8 and A9 into A10 respectively
4. Fix with E3/E9

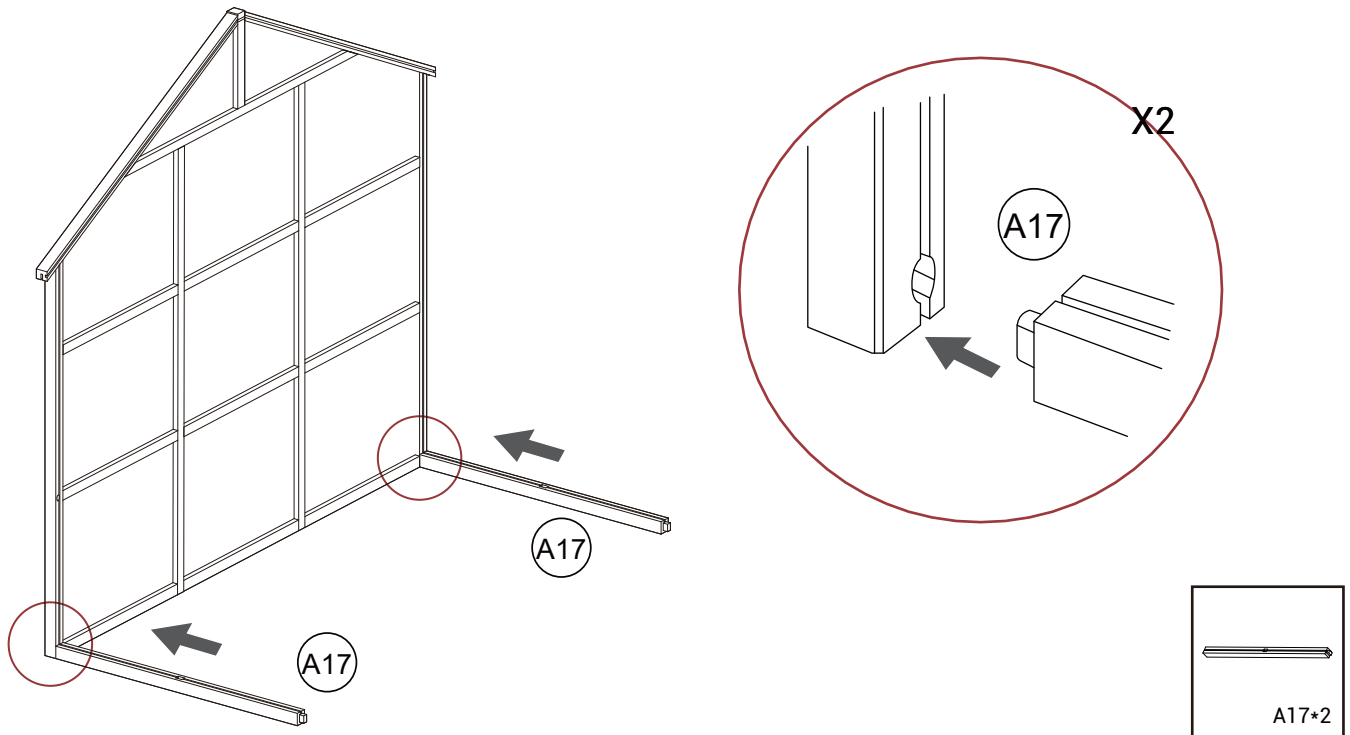


A8*1	A9*1	B3*2	F15*4	E3*4	E9*2

STEP 22

Side frame installation 1

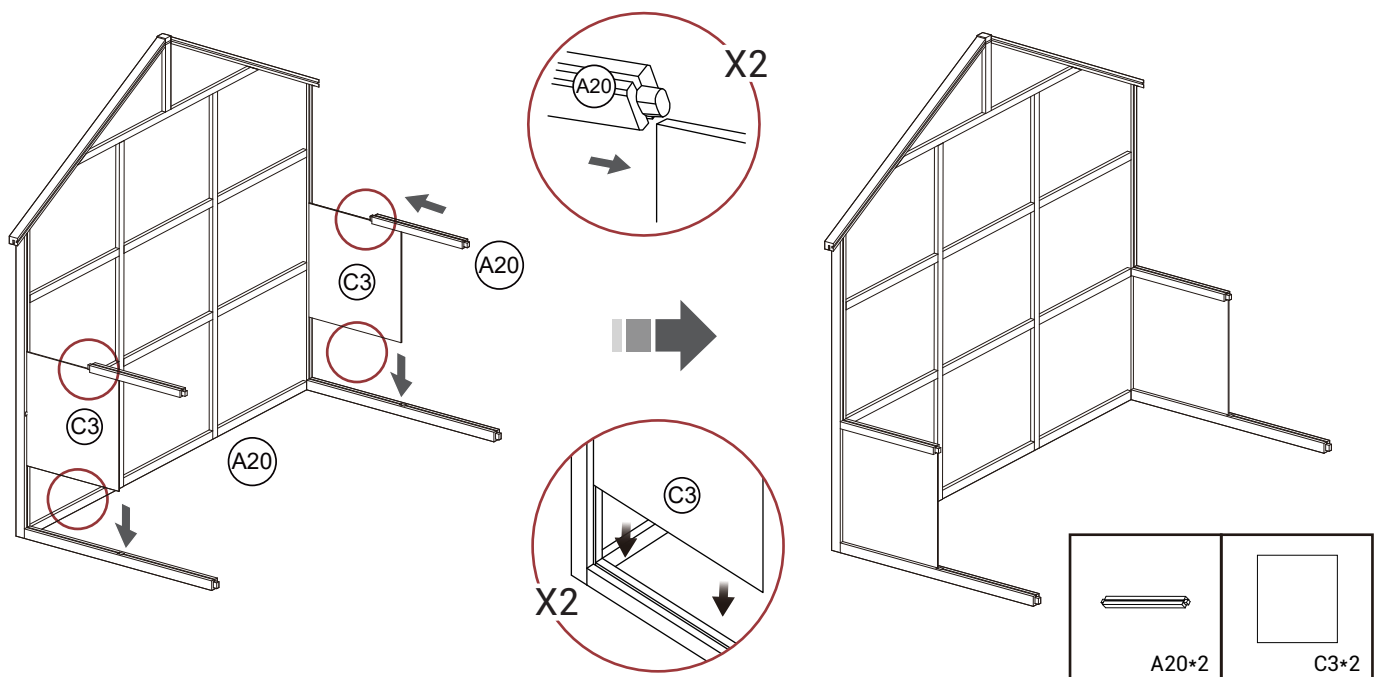
1. Insert A17 into the rear frame



STEP 23

Side frame installation 2

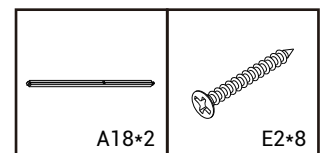
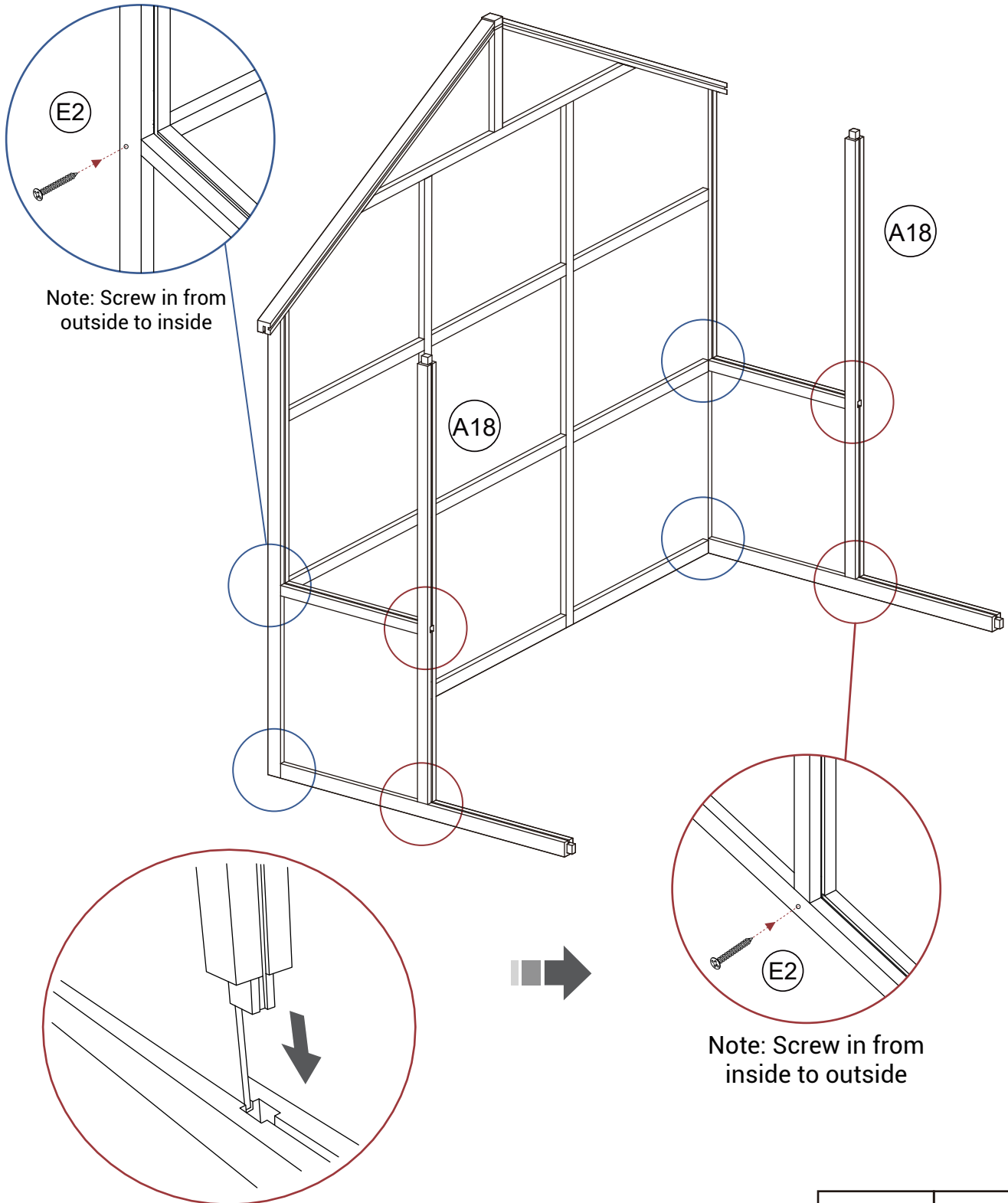
1. Insert C3 into A17
2. Align the A20 slot with C3 and push it inward until the plug is inserted into the socket



STEP 24

Side frame installation 3

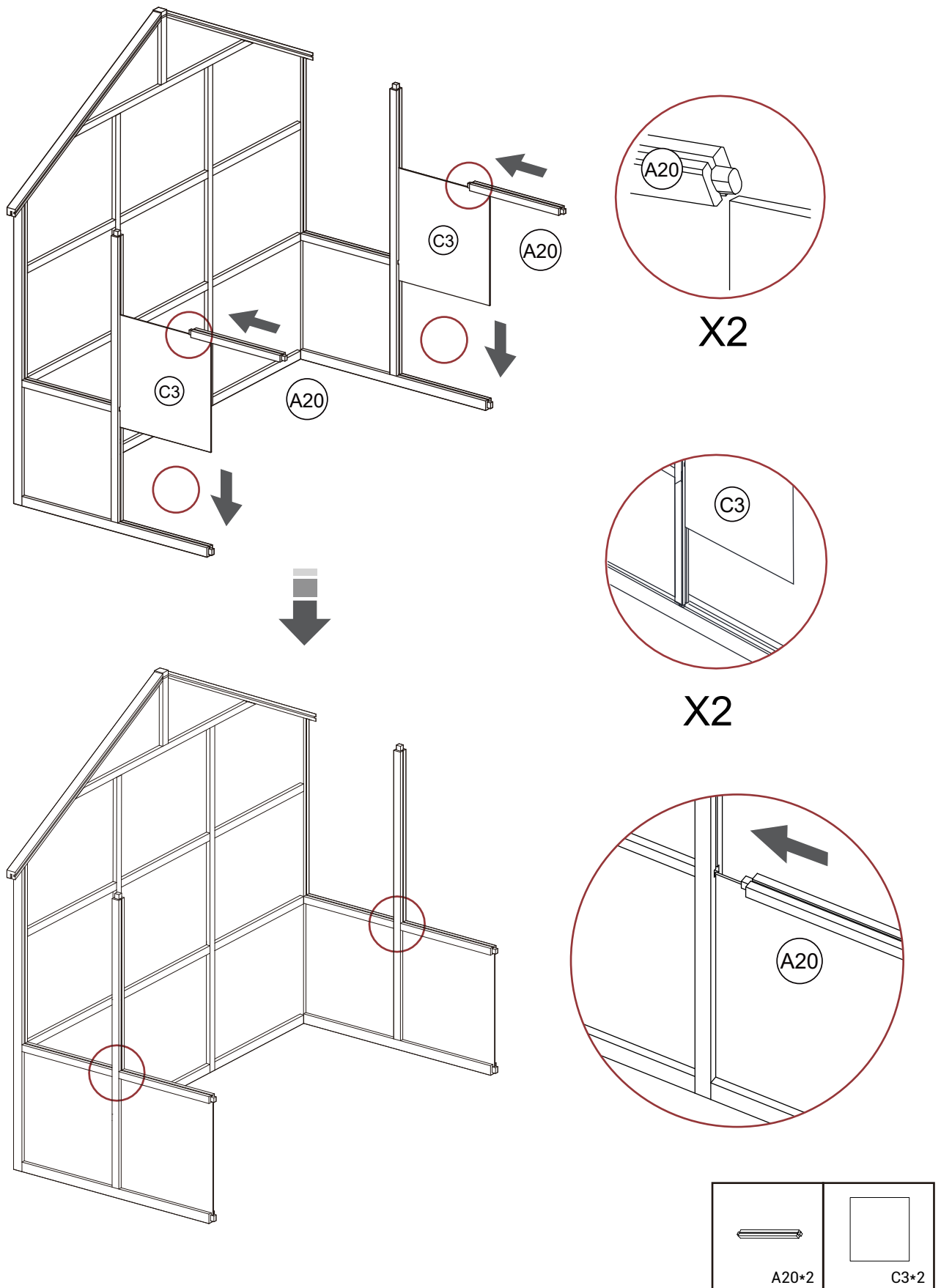
1. A18 is inserted downward into A17
2. Fix with E2



STEP 25

Side frame installation 4

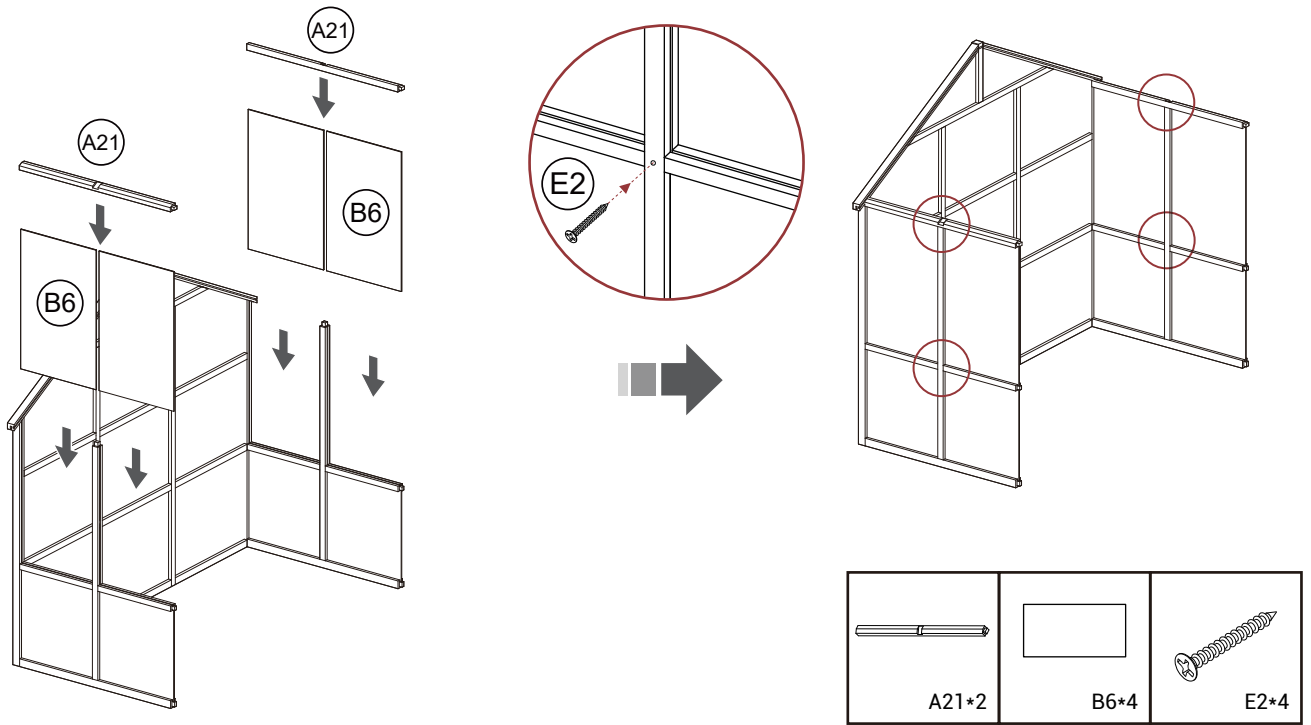
1. Insert C3 into A17
2. Align the A20 slot with C3 and push it inward until the plug is inserted into the socket



STEP 26

Side frame installation 5

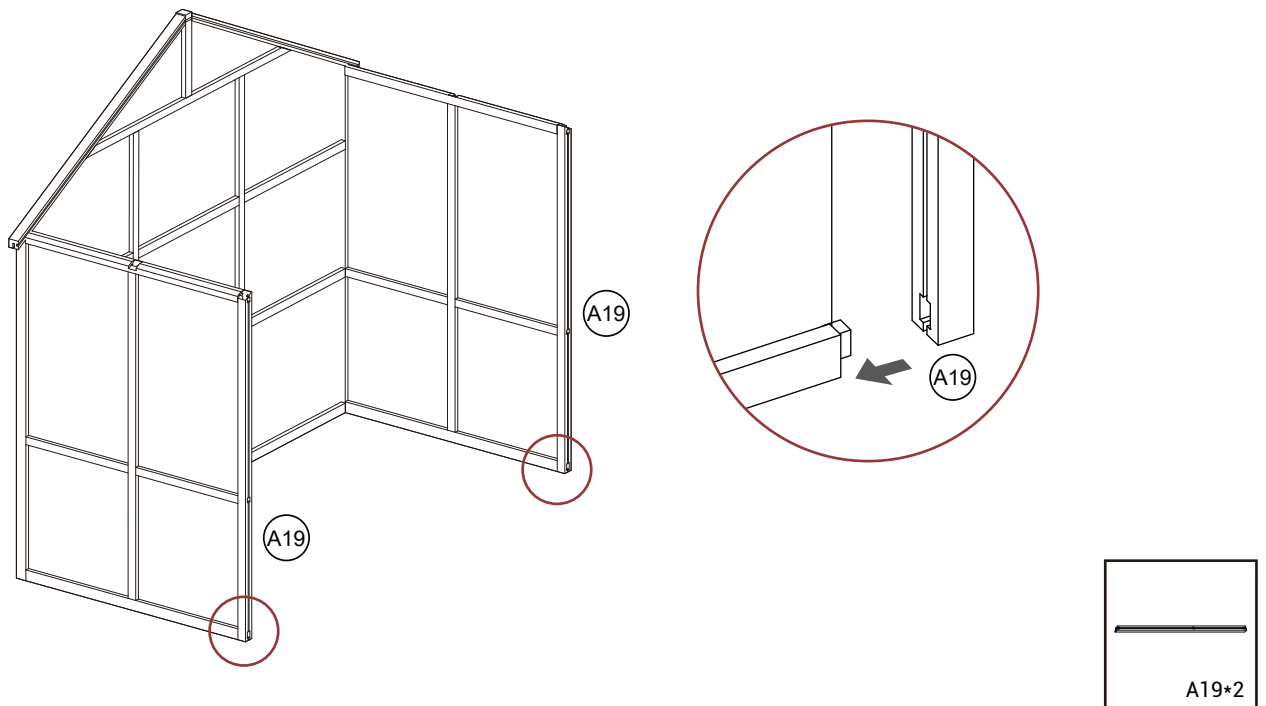
1. B6 and A21 are inserted into the side frame in sequence
Note: Screw in from inside to outside



STEP 27

Side frame installation 6

1. A19 plugs into A17

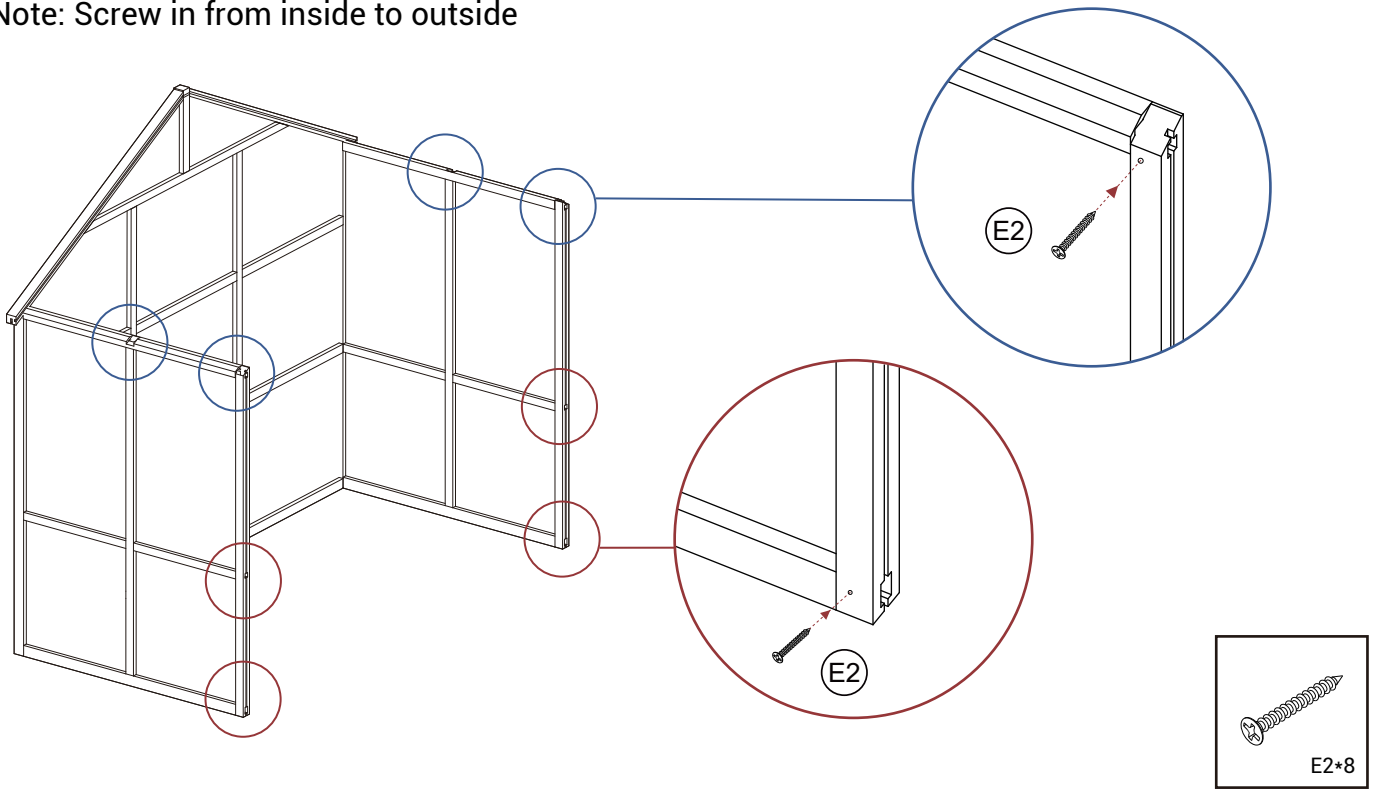


STEP 28

Side frame installation 7

1. Fix with E2

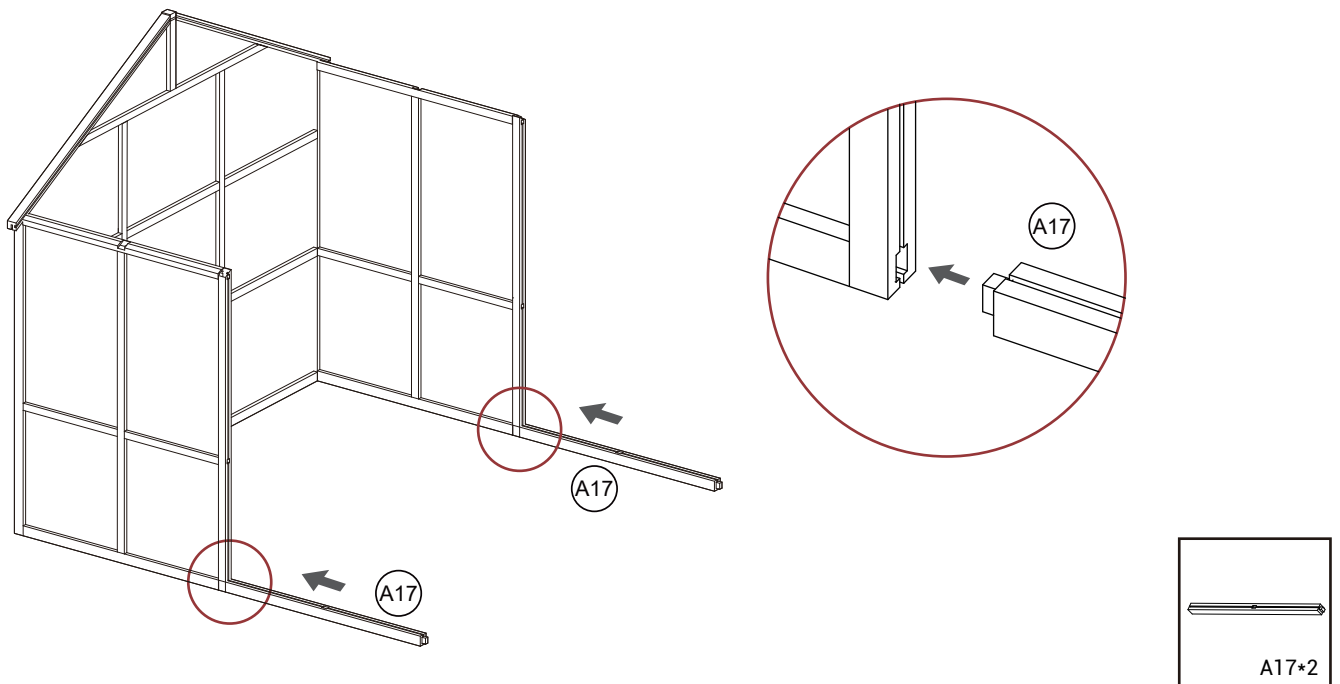
Note: Screw in from inside to outside



STEP 29

Side frame installation 8

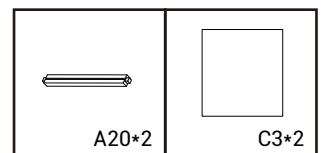
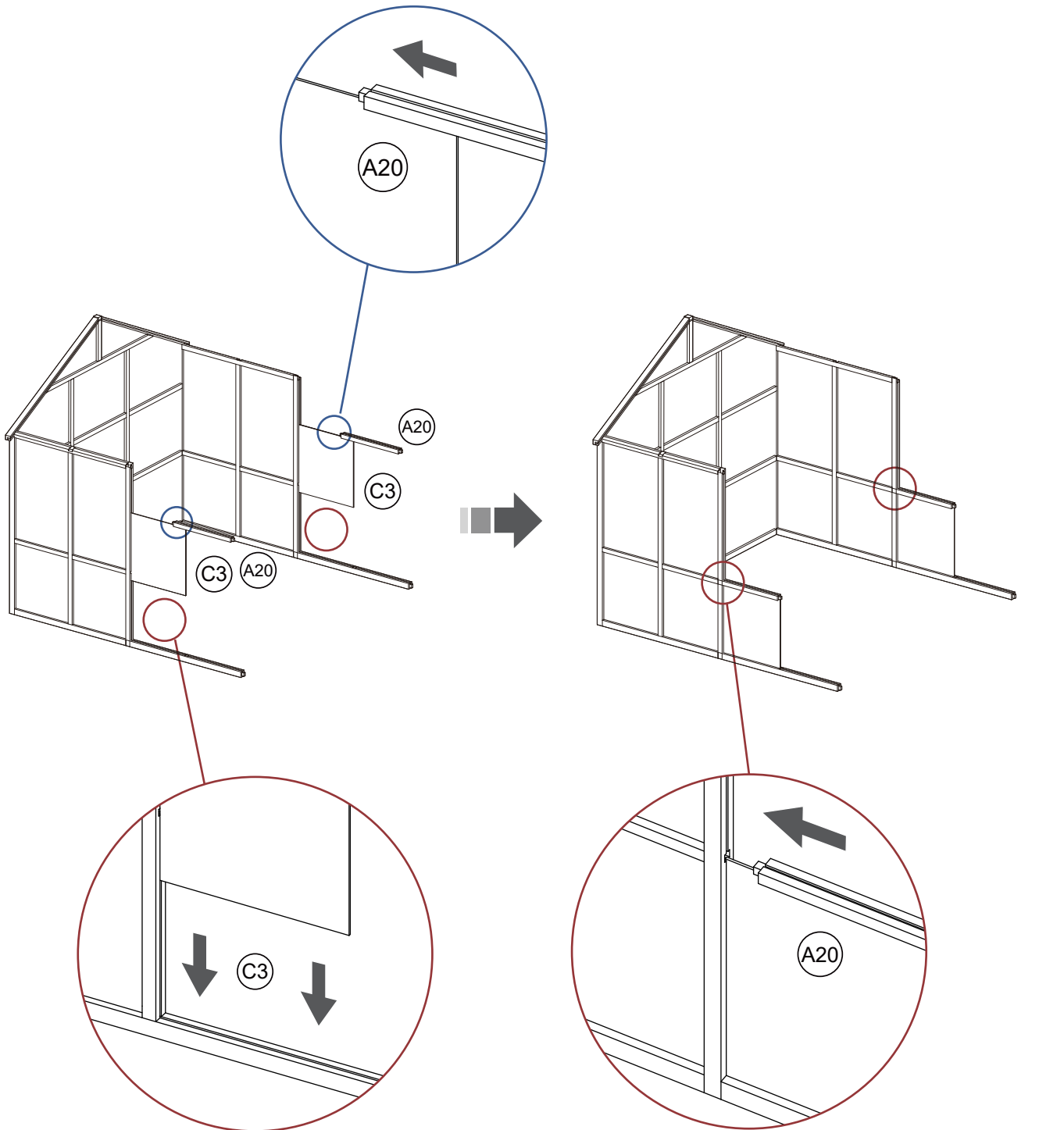
1. A17 inserted into A19



STEP 30

Side frame installation 9

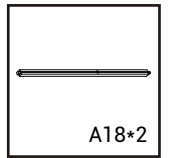
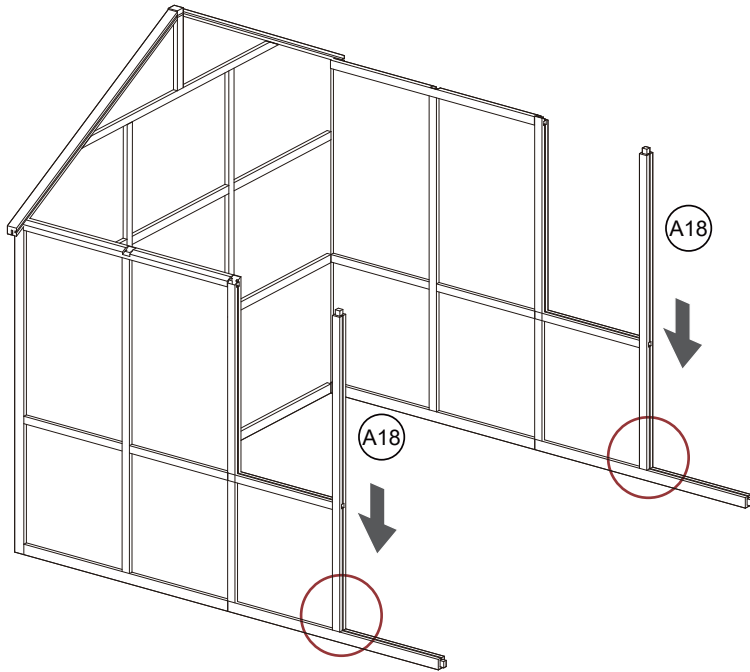
1. Insert C3 into A16
2. Align the A20 slot with C3 and push it inward until the plug is inserted into the socket



STEP 31

Side frame installation 10

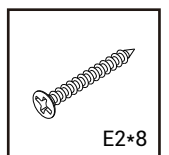
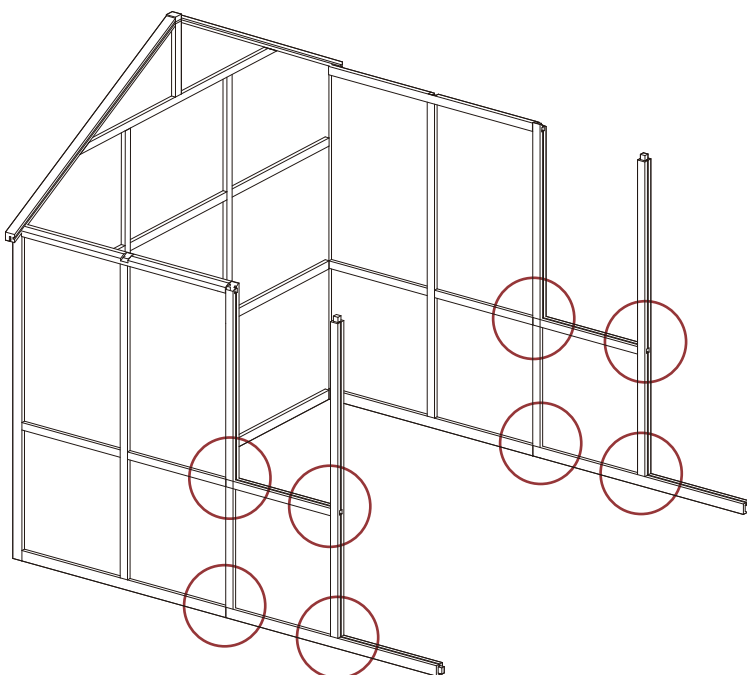
1. Insert A18 downward into A17



STEP 32

Side frame installation 11

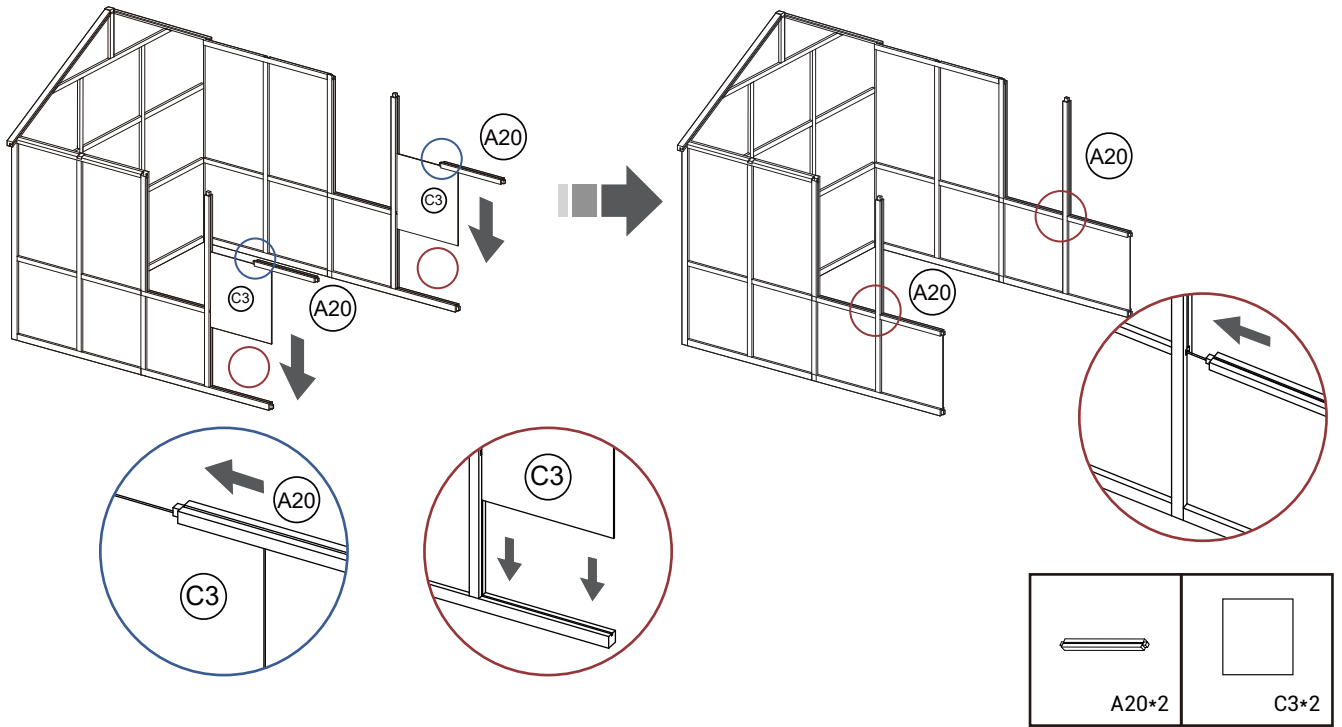
1. Fix with E2
- Note: Screw in from inside to outside



STEP 33

Side frame installation 12

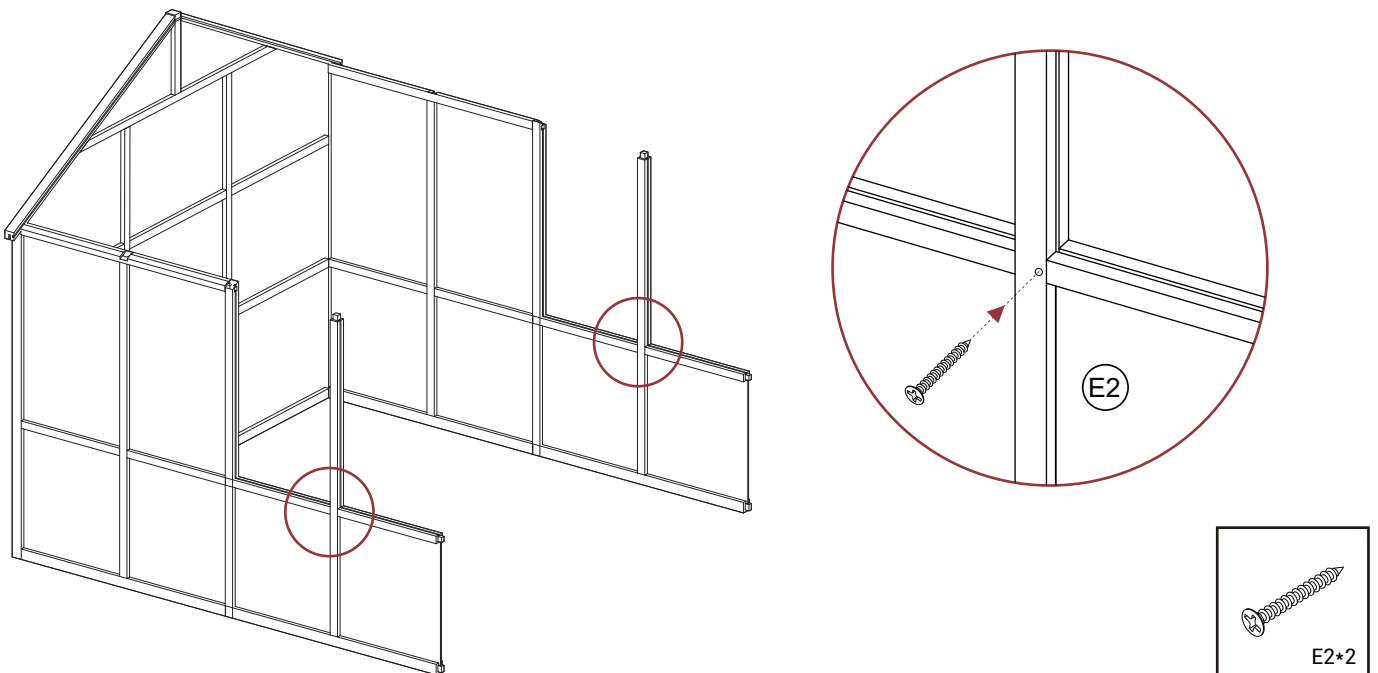
1. Insert C3 into A17
2. Align the A20 slot with C3 and push inward until the plug is inserted into the socket



STEP 34

Side frame installation 13

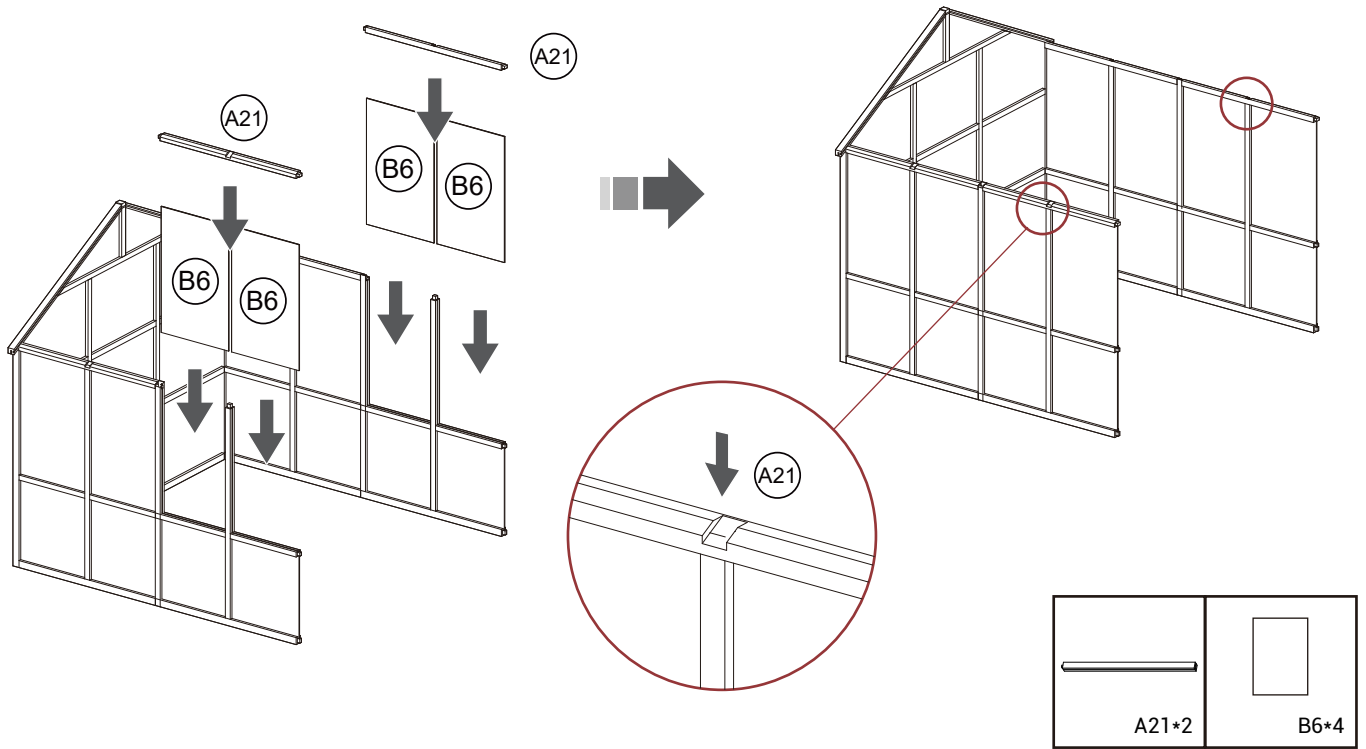
1. Fix with E2
- Note: Screw in from inside to outside



STEP 35

Side frame installation 14

1. Insert B6 into the side frame



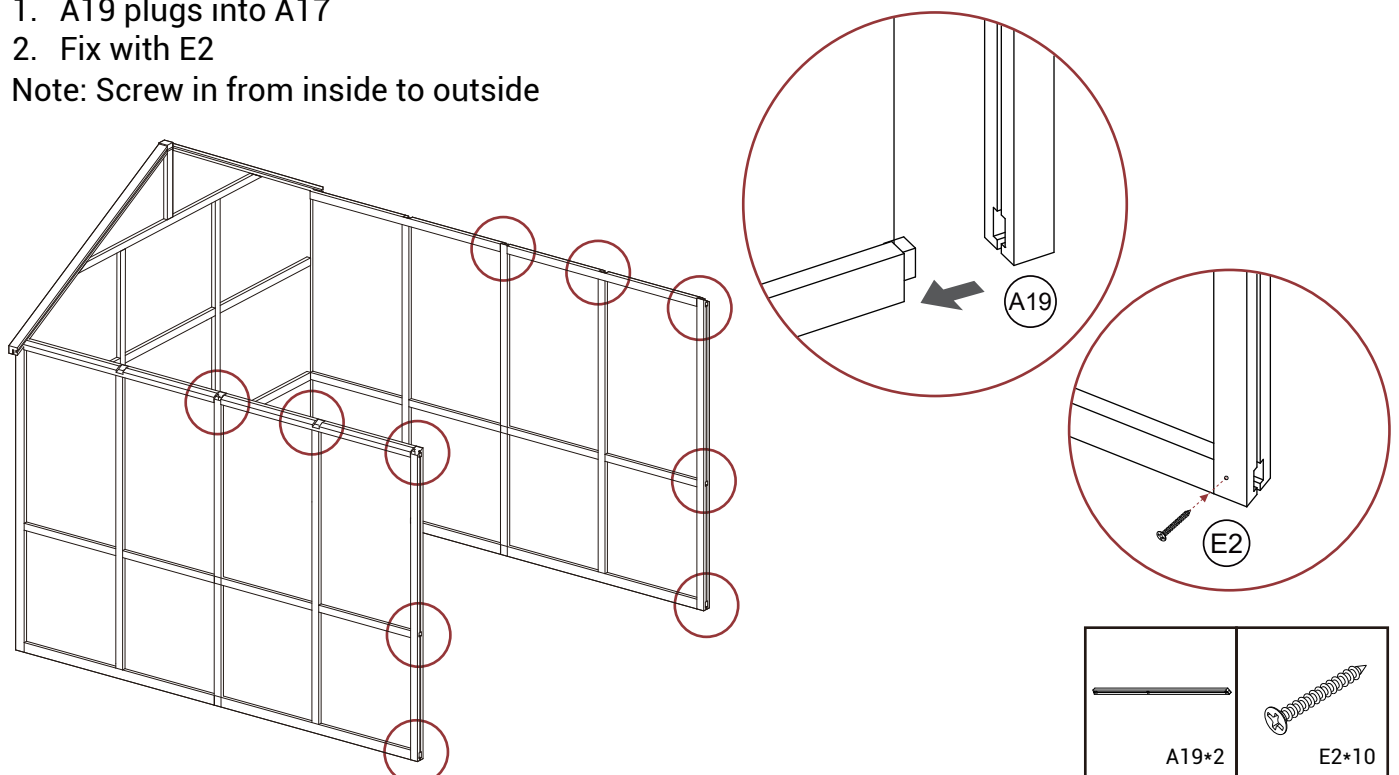
STEP 36

Side frame installation 15

1. A19 plugs into A17

2. Fix with E2

Note: Screw in from inside to outside

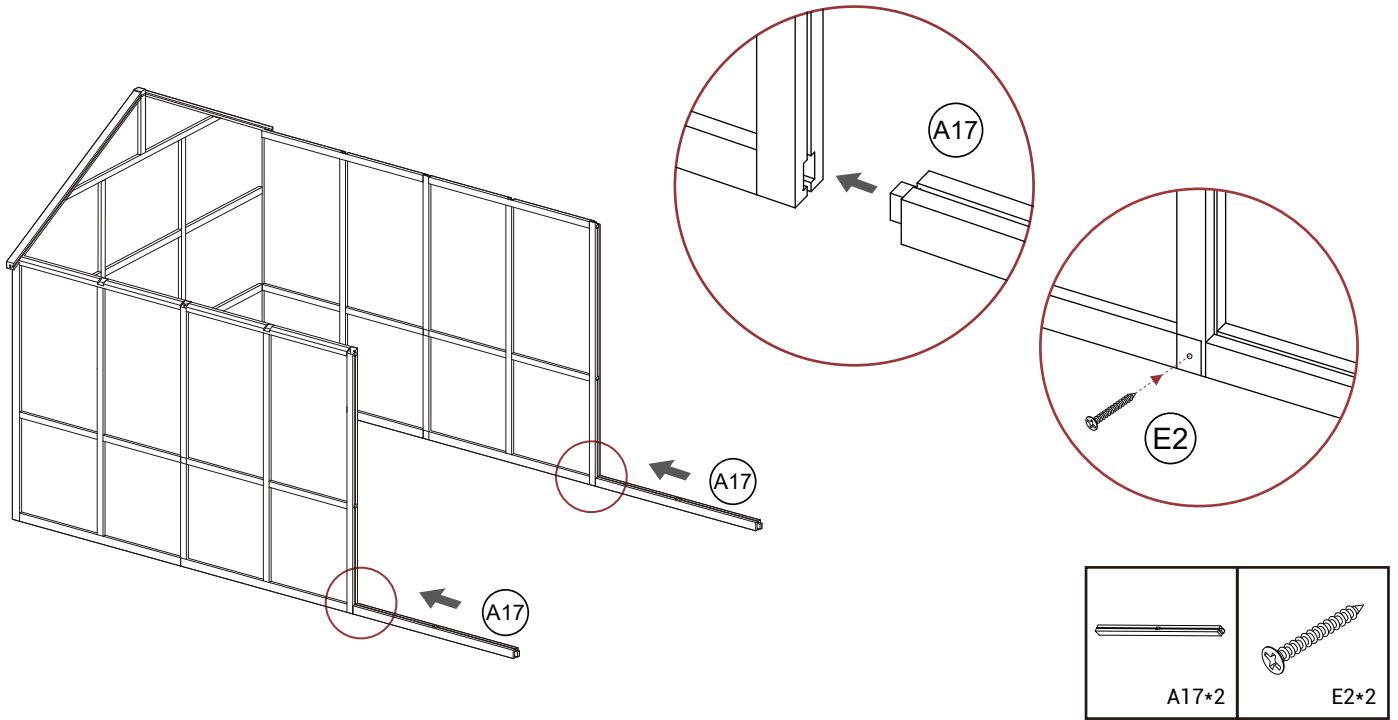


STEP 37

Side frame installation 16

1. A17 is inserted into A19
2. Fix with E2

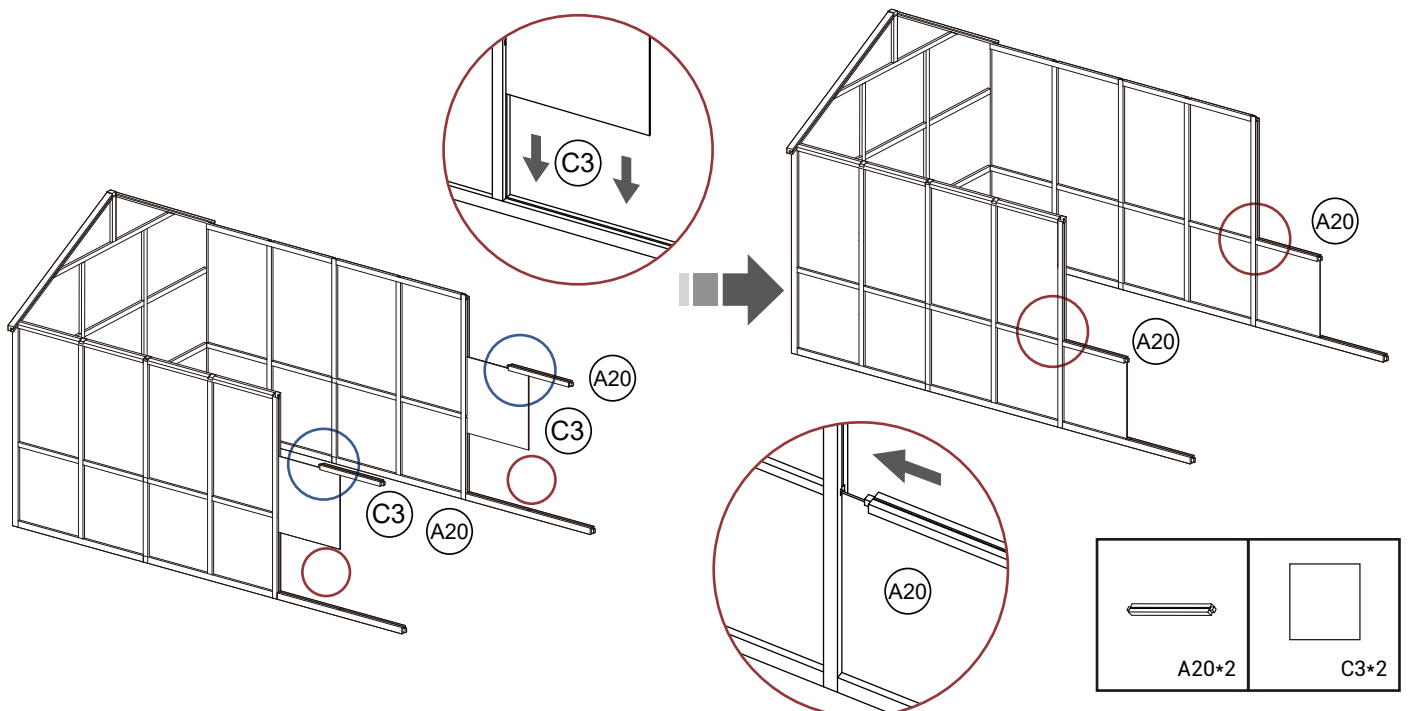
Note: Screw in from inside to outside



STEP 38

Side frame installation 17

1. Insert C3 into A16
2. Align the A20 slot with C3 and push it inward until the plug is inserted into the socket

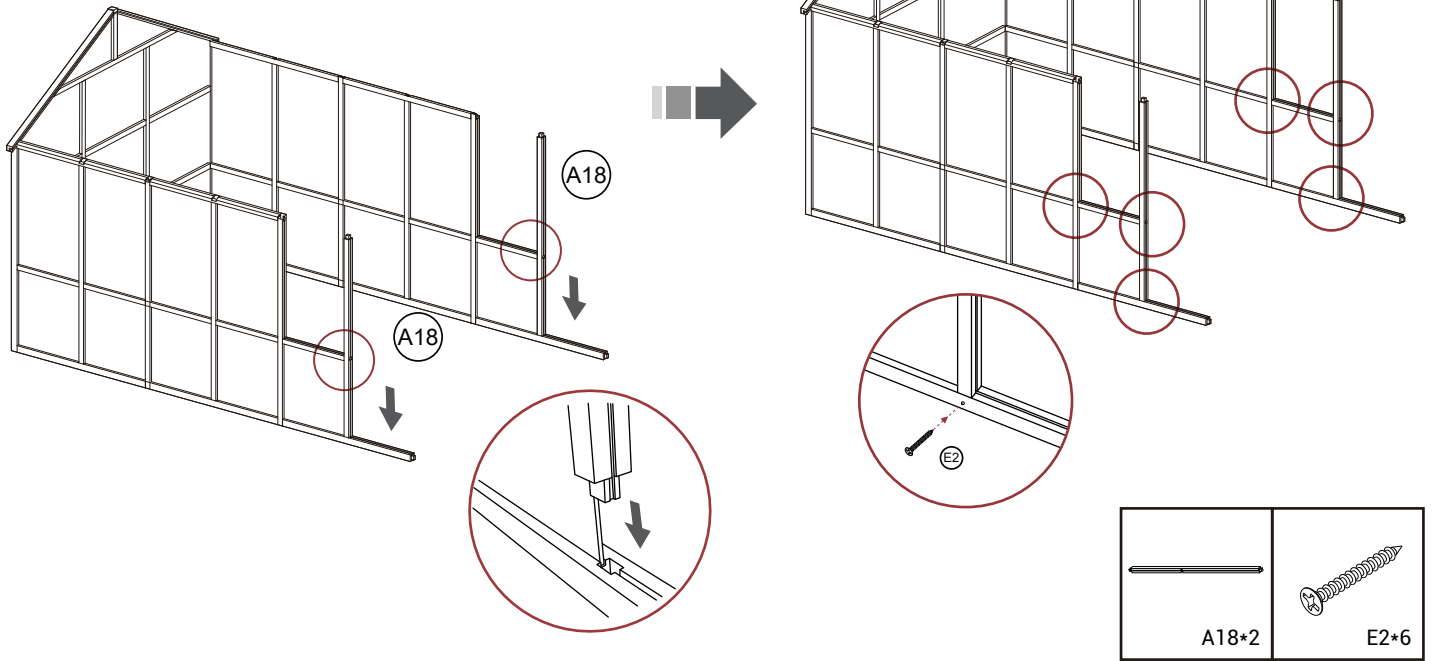


STEP 39

Side frame installation 18

1. A18 is inserted downward into A17
2. Fix with E2

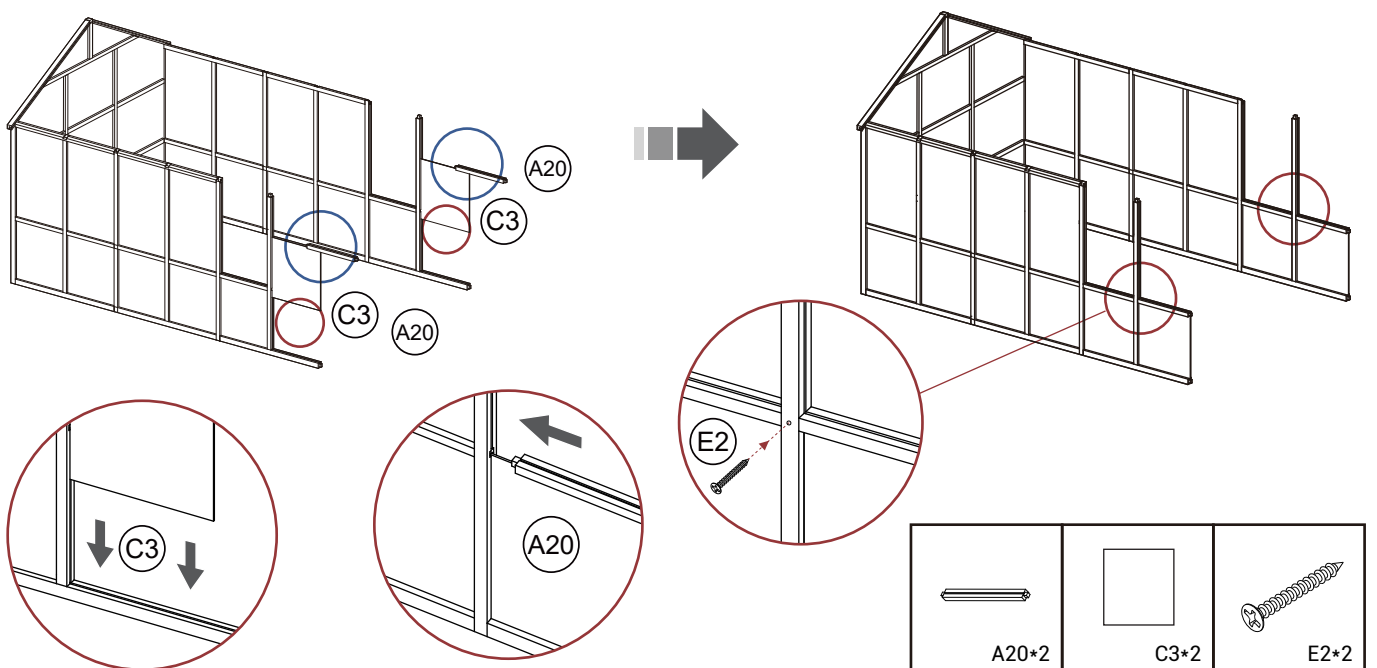
Note: Screw in from inside to outside



STEP 40

Side frame installation 19

1. Insert C3 into A16
2. Align the A20 slot with C3 and push it inward until the plug is inserted into the socket

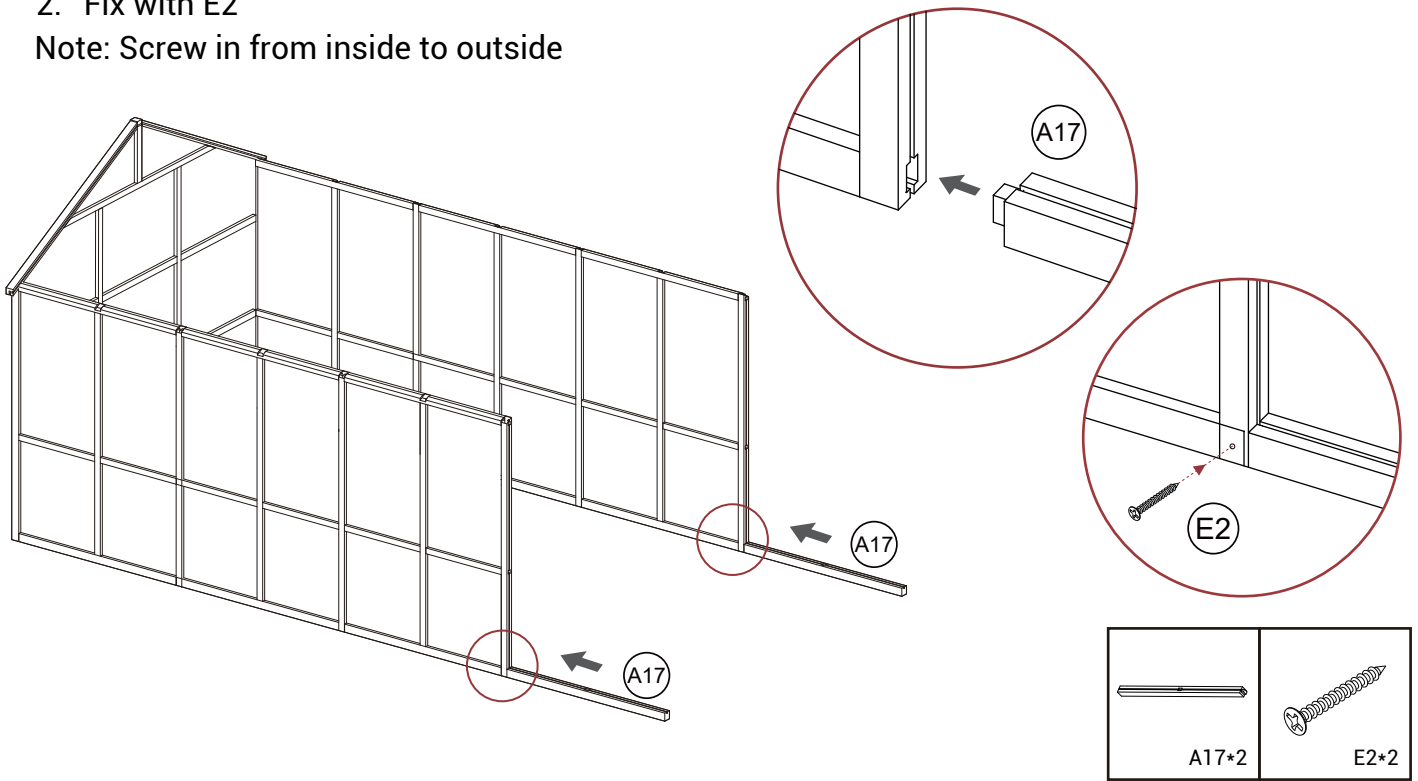


STEP 43

Side frame installation 22

1. A17 is inserted into A19
2. Fix with E2

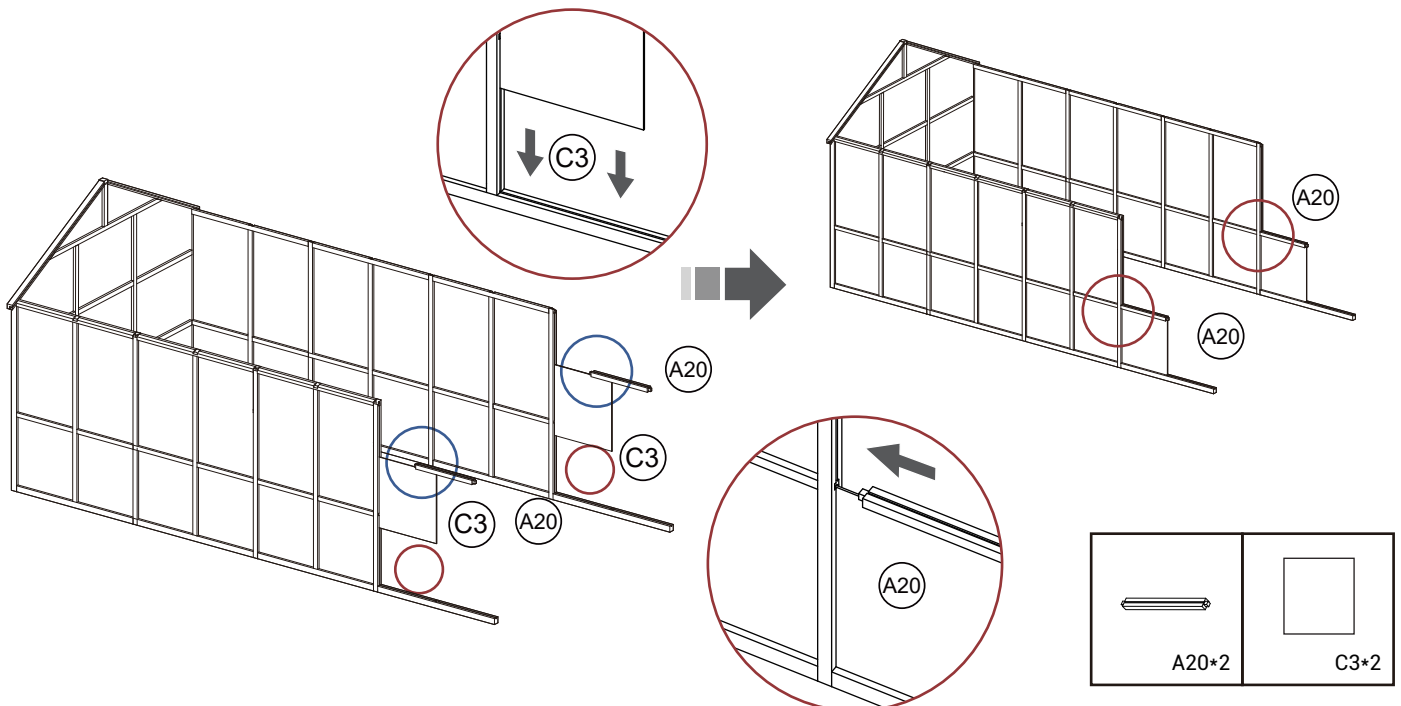
Note: Screw in from inside to outside



STEP 44

Side frame installation 23

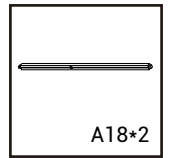
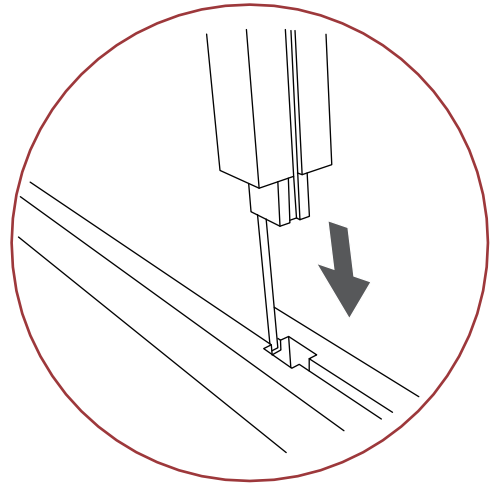
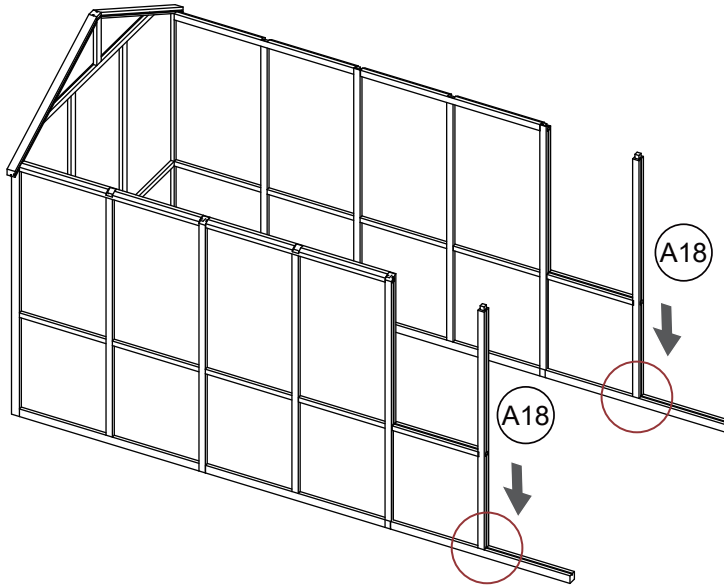
1. Insert C3 into A16
2. Align the A20 slot with C3 and push it inward until the plug is inserted into the socket



STEP 45

Side frame installation 24

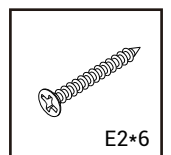
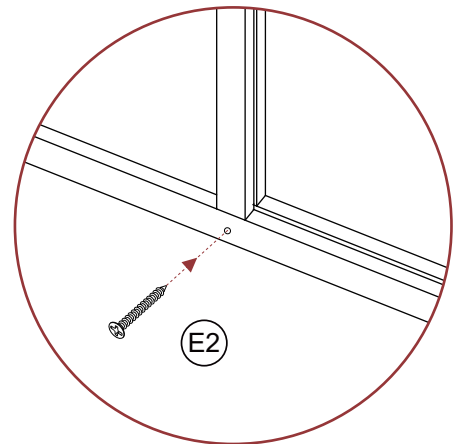
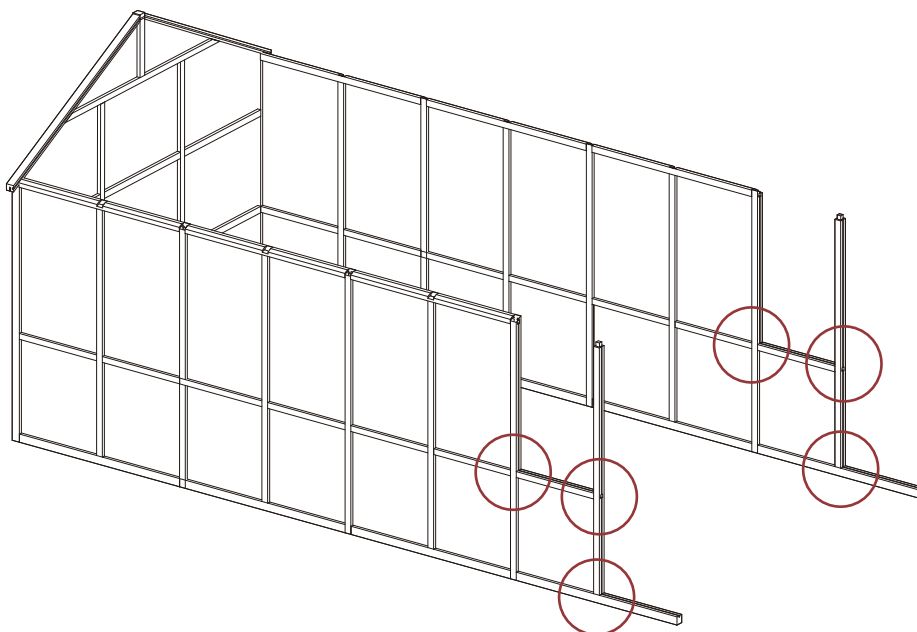
1. A18 is inserted downward into A17



STEP 46

Side frame installation 25

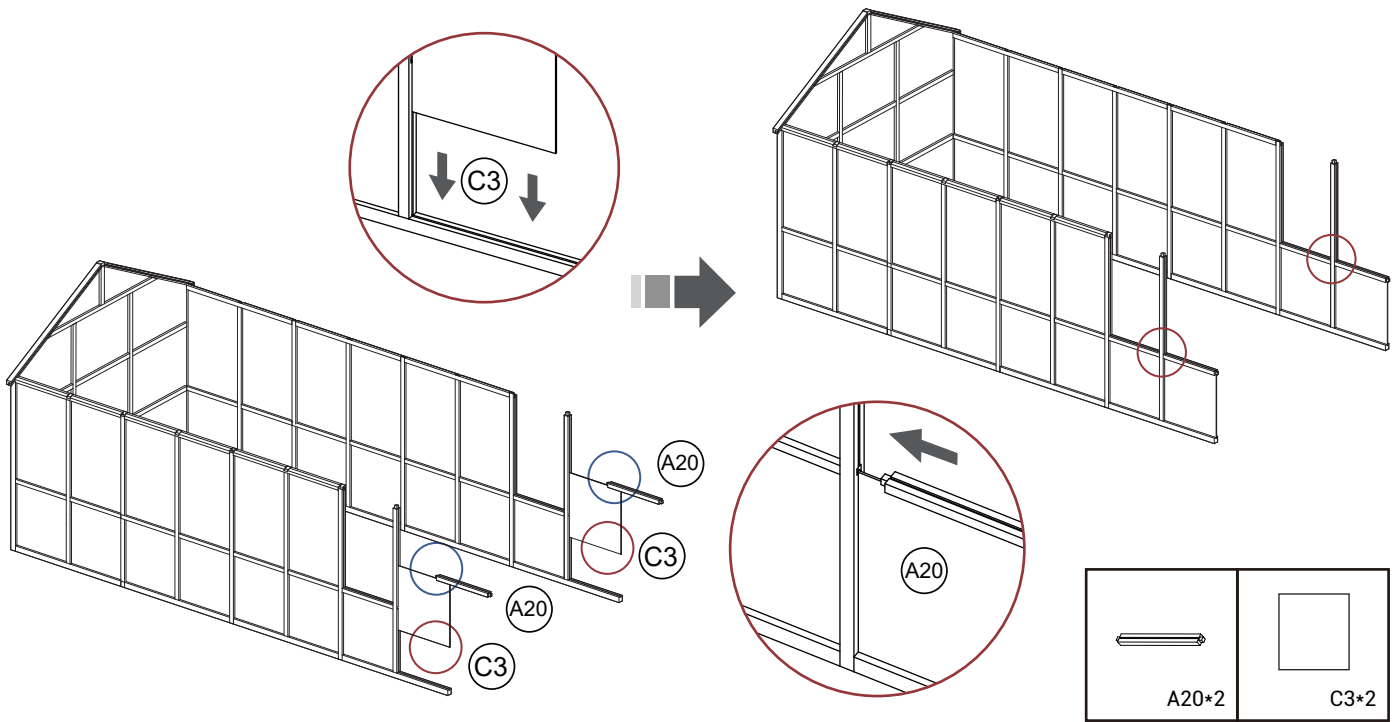
1. Fix with E2
- Note: Screw in from inside to outside



STEP 47

Side frame installation 26

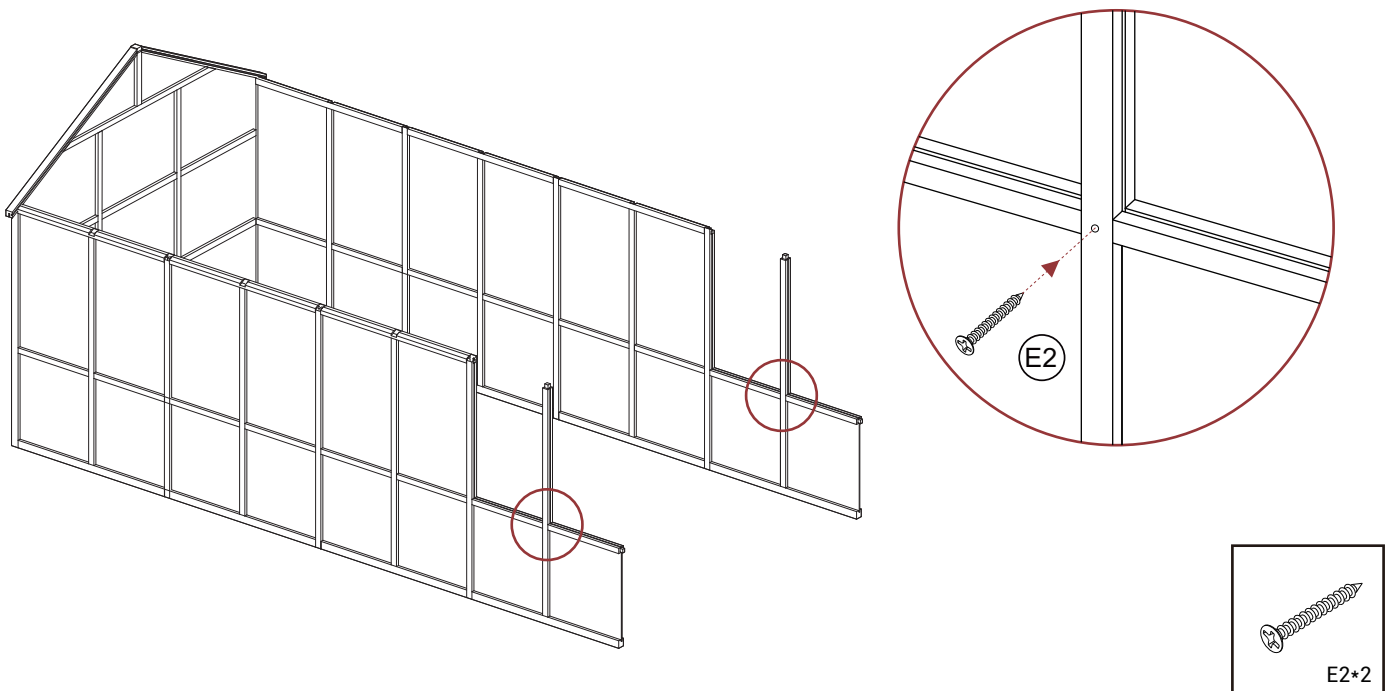
1. Insert C3 into A17
2. Align the A20 slot with C3 and push it inward until the plug is inserted into the socket



STEP 48

Side frame installation 27

1. Fix with E2
- Note: Screw in from inside to outside

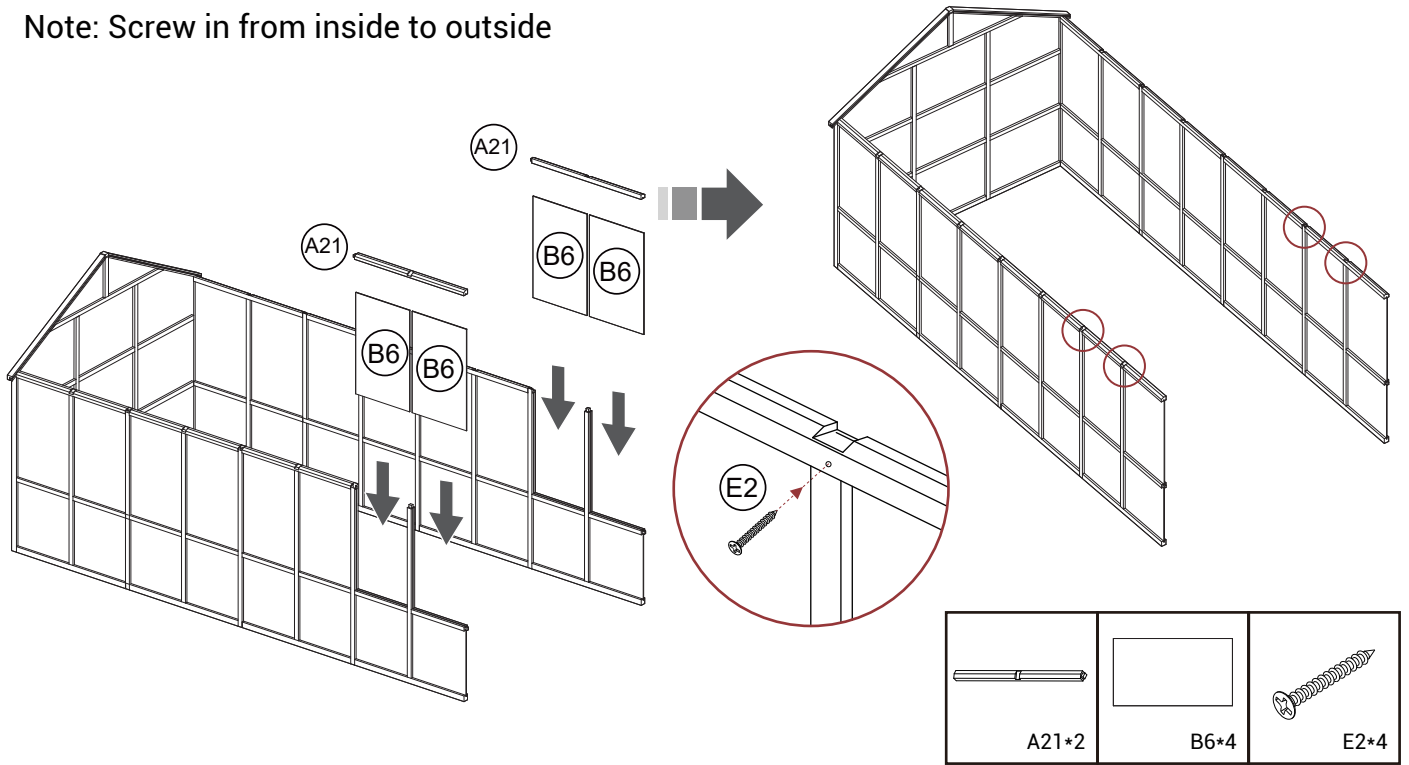


STEP 49

Side frame installation 28

1. Insert B6 and A21 into the side frame in order
2. Fix with E2

Note: Screw in from inside to outside

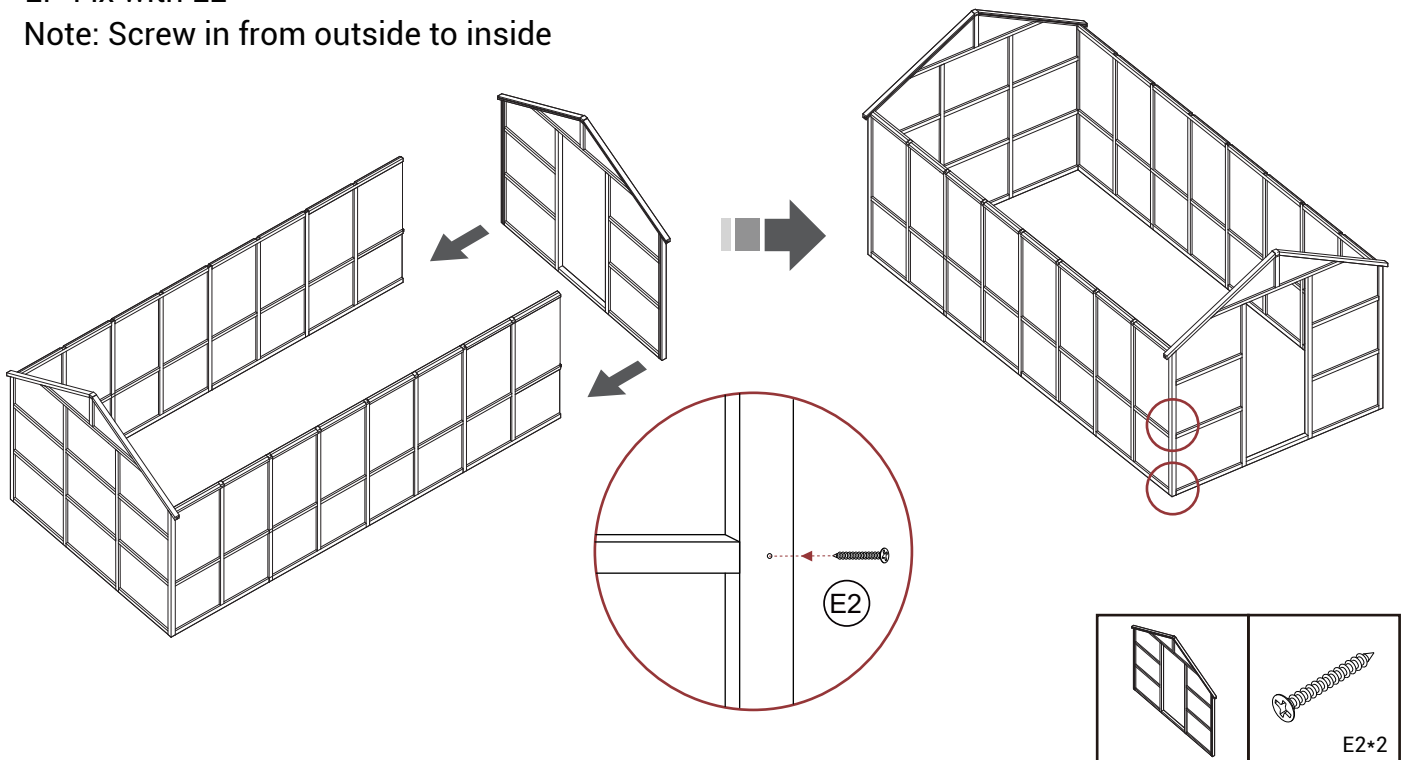


STEP 50

Side frame installation 29

1. Install the front frame
2. Fix with E2

Note: Screw in from outside to inside

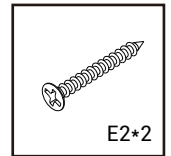
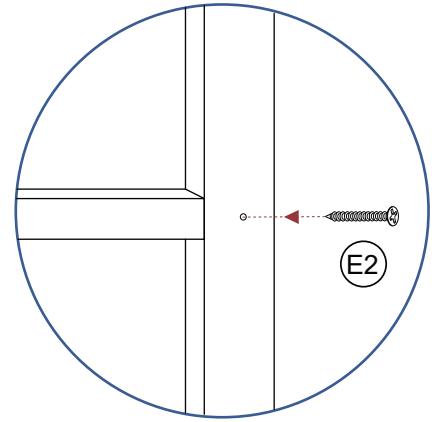
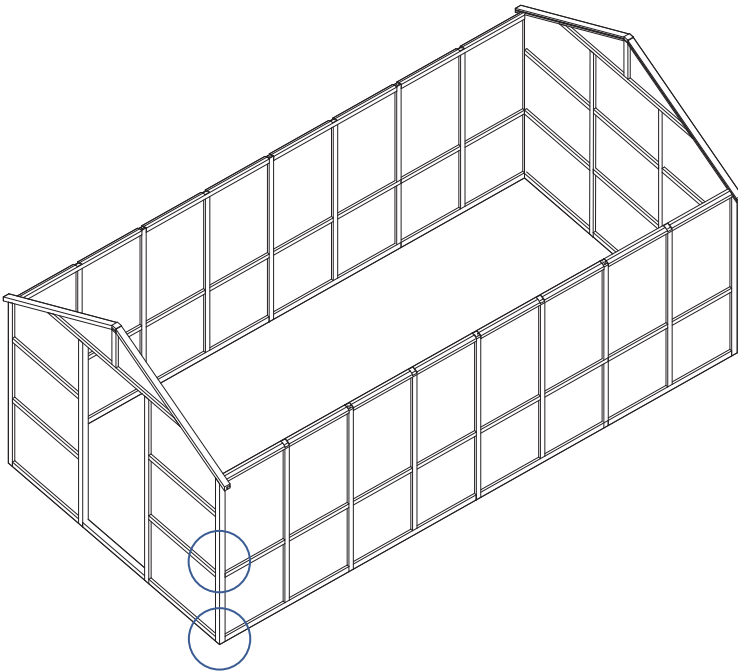


STEP 51

Side frame installation 30

1. Fix with E2

Note: Screw in from outside to inside

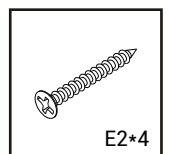
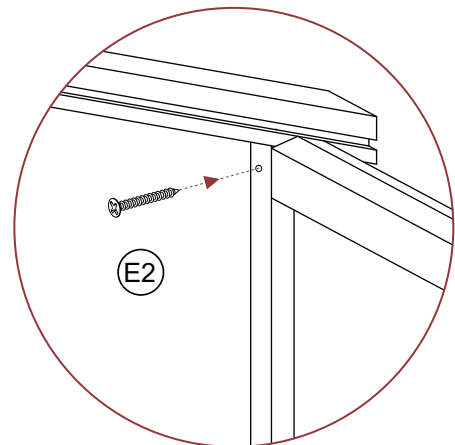
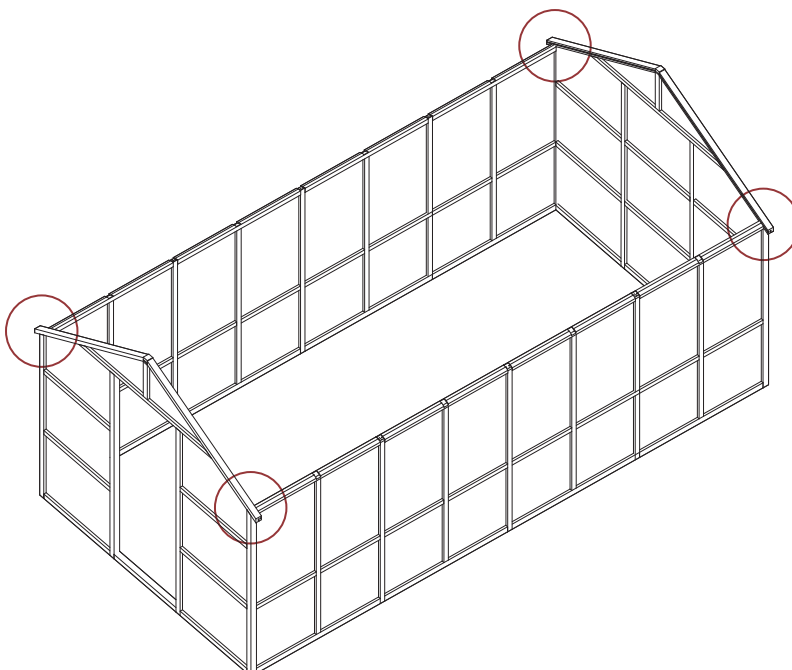


STEP 52

Side frame installation 31

1. Fix with E2

Note: Screw in from inside to outside

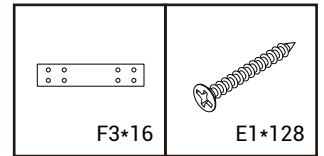
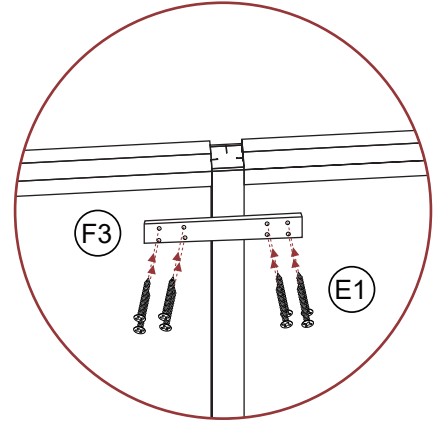
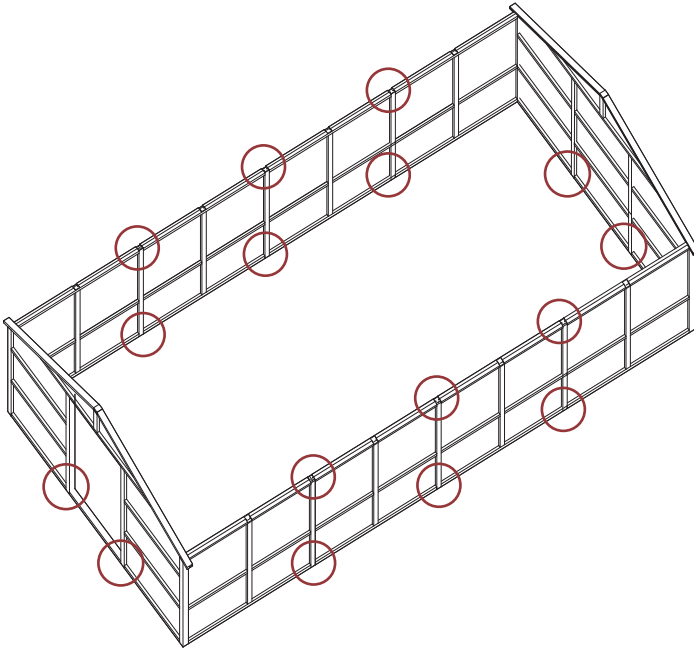


STEP 53

Side frame installation 32

1. F3 is placed at the connection between A22 and A22, and fixed with E1
2. F3 is placed at the connection between A17 and A18, and fixed with E1

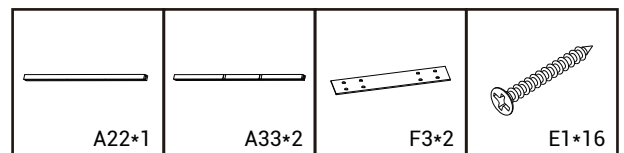
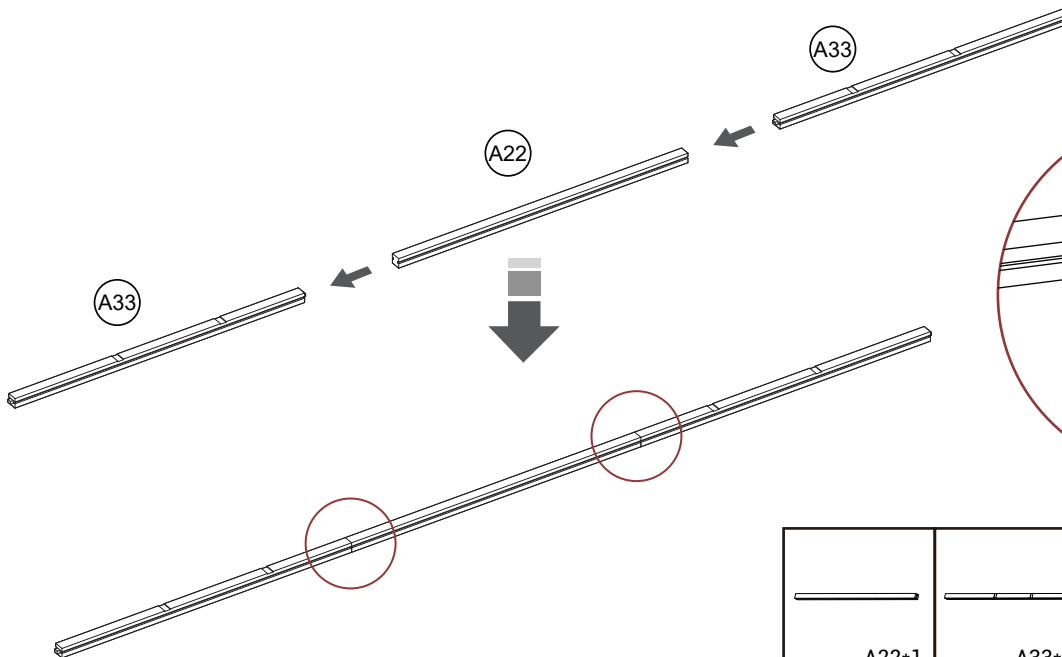
Note: All four F3s are fixed inside the greenhouse



STEP 54

Beam installation 1

1. Align the A22 plug with the A33 socket and connect them together
2. Fix them with F3 and E2 at the bottom of the crossbeam joint

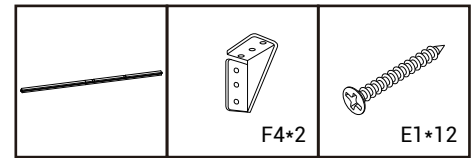
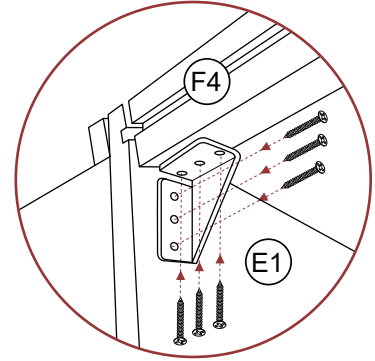
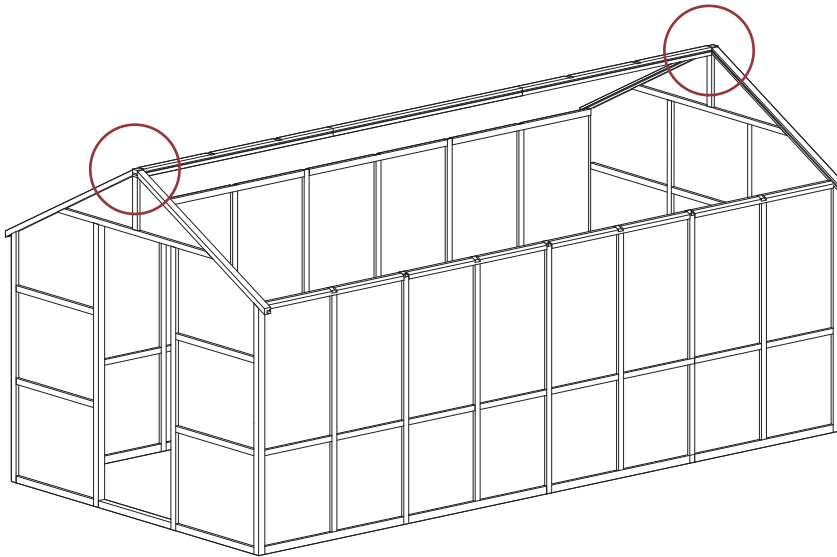


STEP 55

Beam installation 2

1. Place the assembled beam on the vertical support of the greenhouse
2. Use F4 to fix the beam and vertical support, Use E1 to fix

Note: Minor sagging of the A22/A33 crossbeam during installation is normal. This will fully resolve after securing the F6 unit in later steps

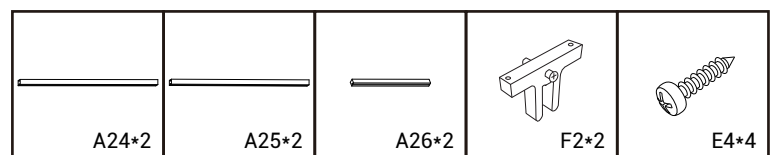
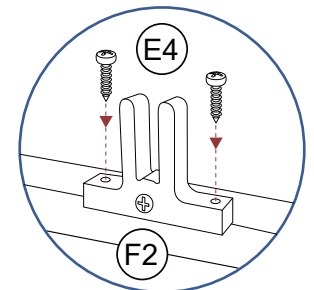
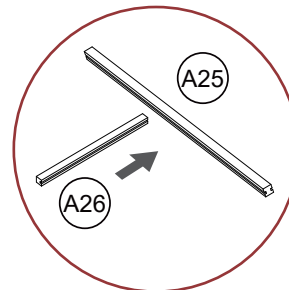
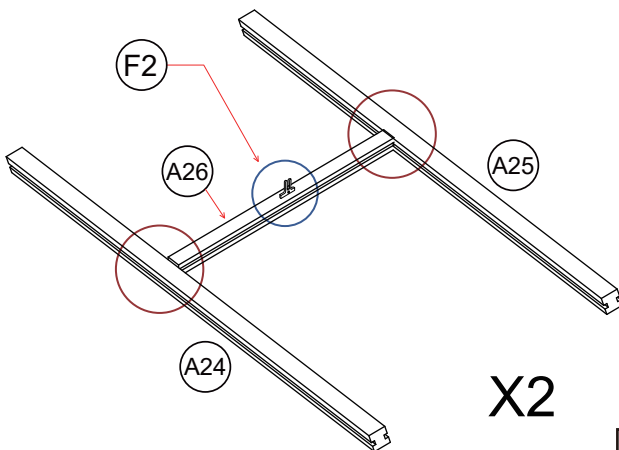


STEP 56

Installation of the sunroof frame 1

1. Insert A26 into the sockets of A24 and A23
2. Align A8 with A24 and A25 and insert
3. Fix F2 on A26 with E4

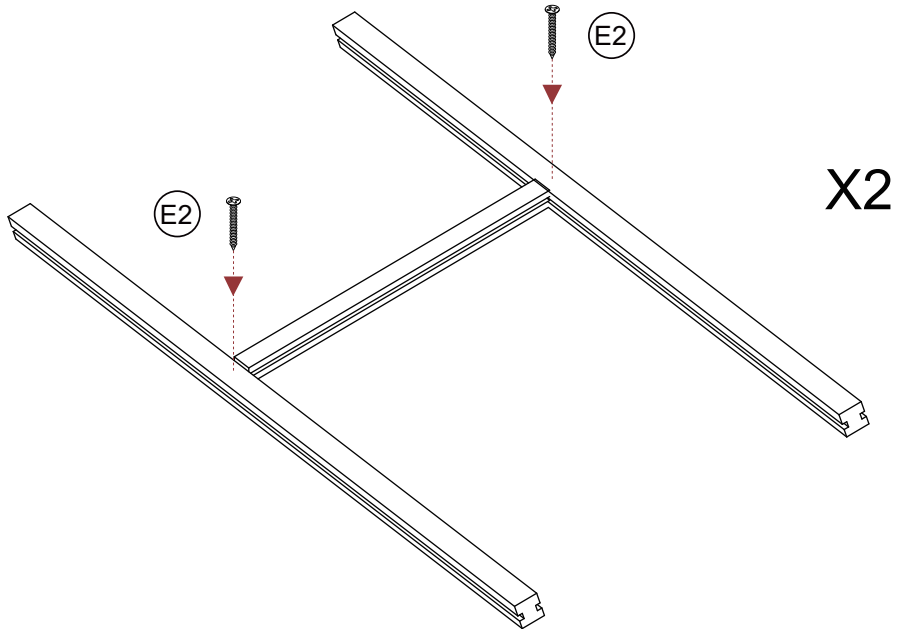
Note: Plastic part F2 is at the bottom



STEP 57

Installation of the sunroof frame 2

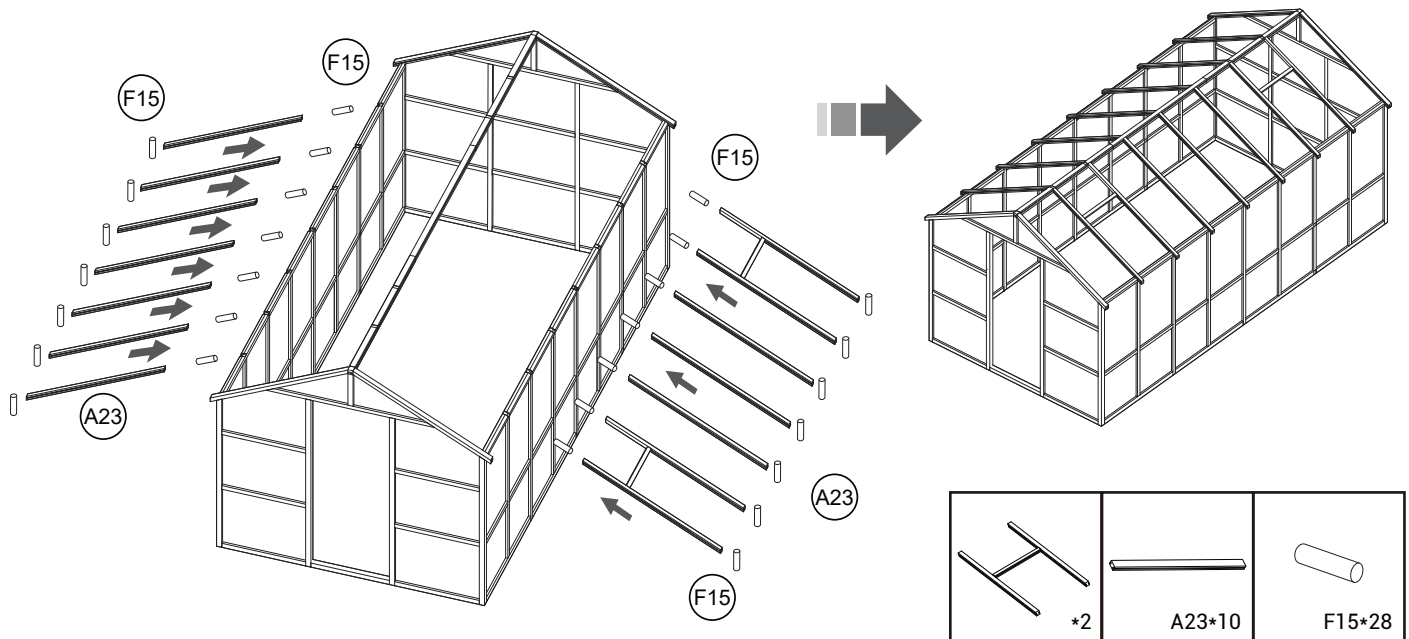
1. E2 fixes the skylight frame



STEP 58

Installation of diagonal braces and skylight frame

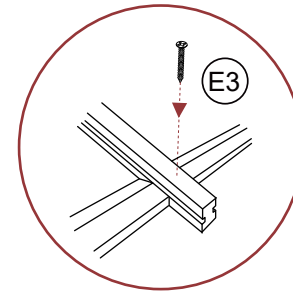
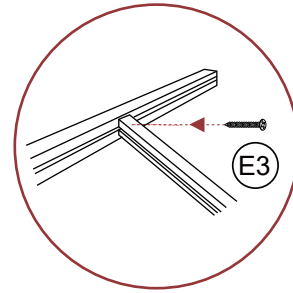
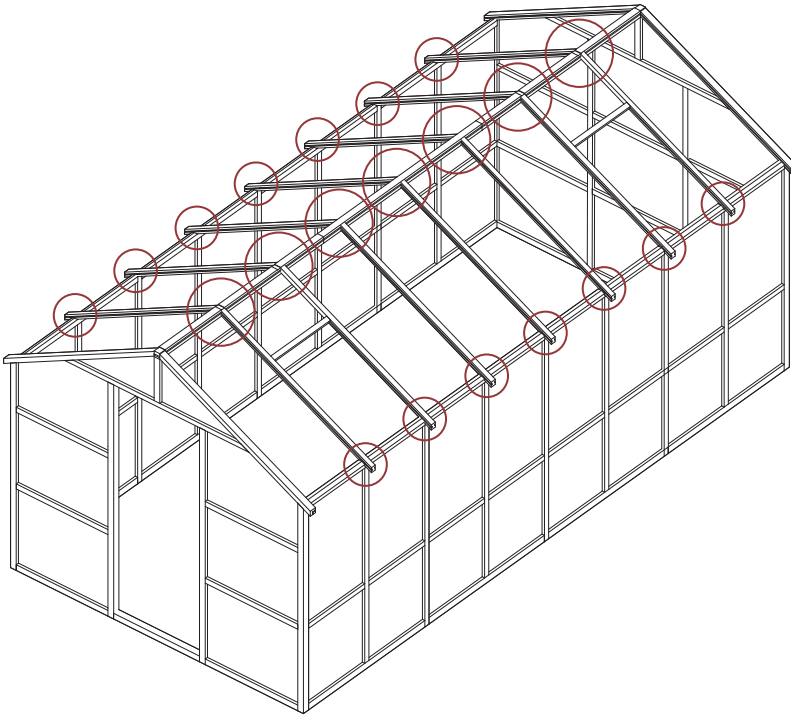
1. Insert F15 into the crossbeam
2. Put the sunroof frame into the crossbeam
3. Put A23 into the crossbeam



STEP 59

Fix the diagonal brace and skylight frame

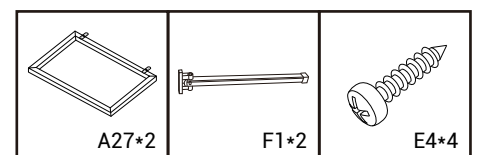
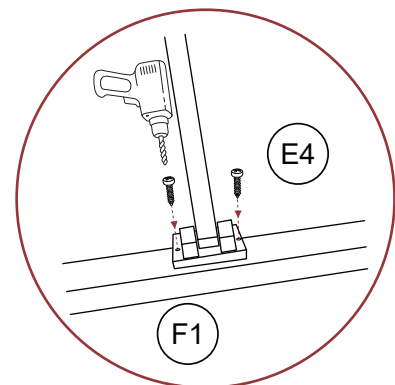
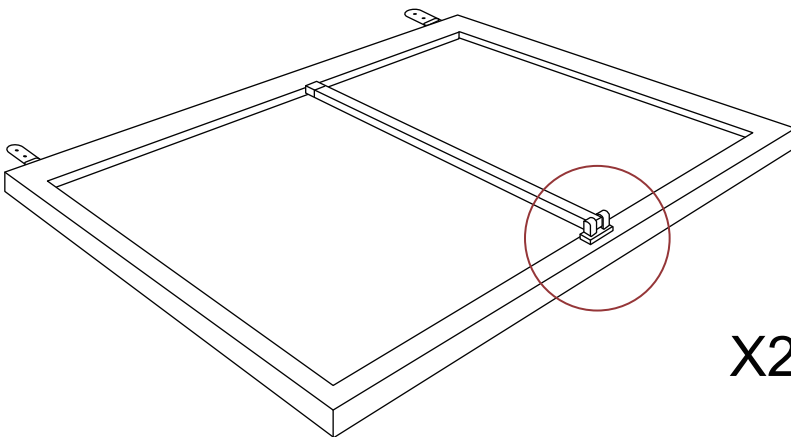
1. Use an electric drill to drive E3 into the position shown in the figure



STEP 60

Skylight installation

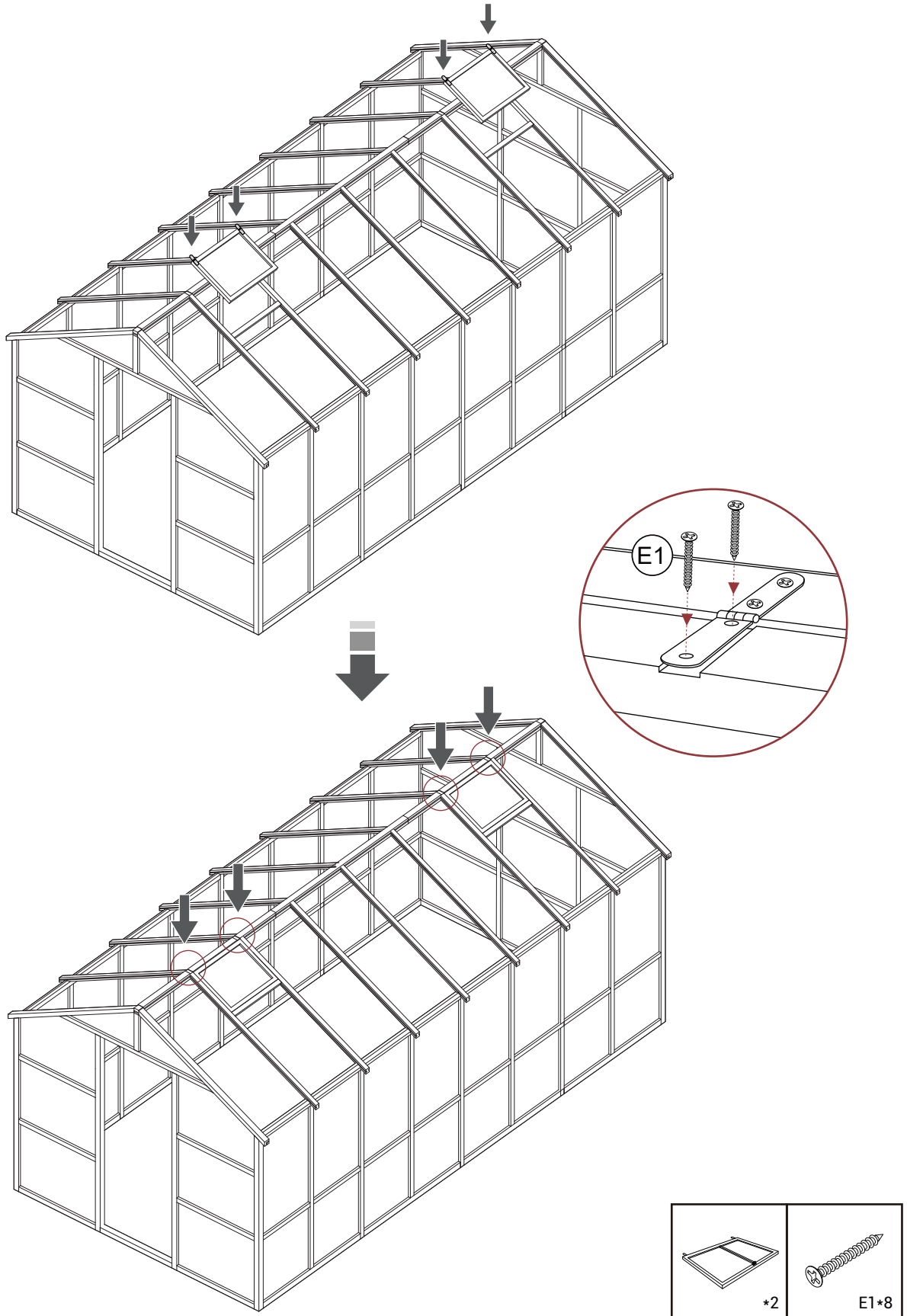
1. Use E4 to fix F1 on the back of the skylight



STEP 61

Skylight installation

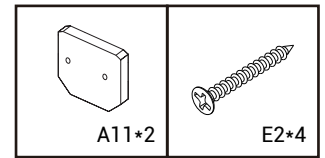
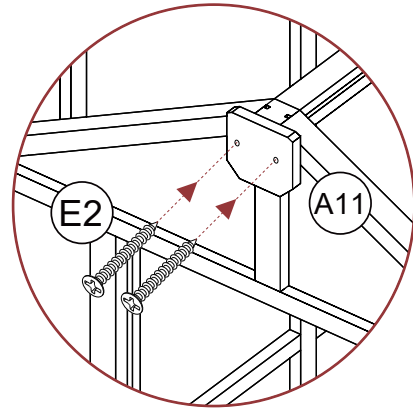
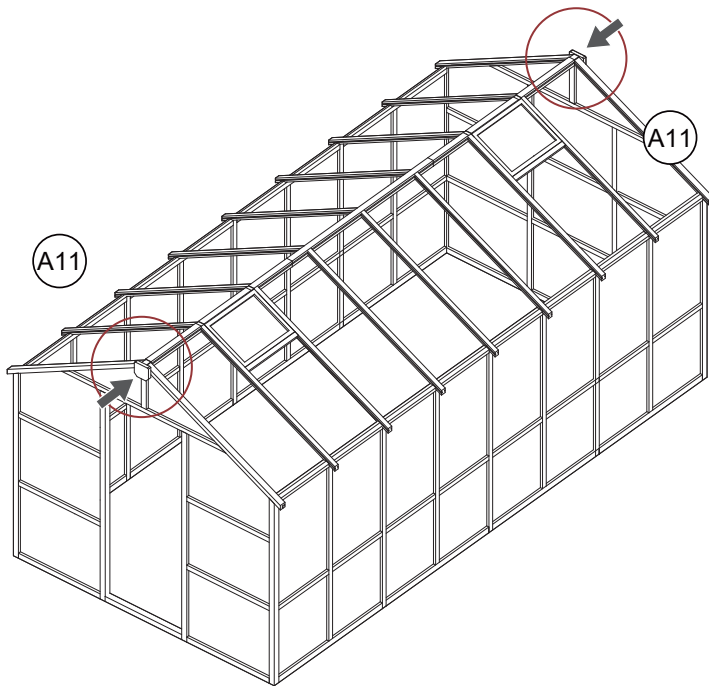
1. Place the installed skylight on the greenhouse
2. Align F10 on the skylight with the beam and use an electric drill to drill E1 into the F10 hole



STEP 62

Installation of front and rear frame trims

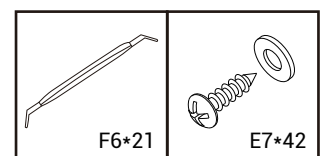
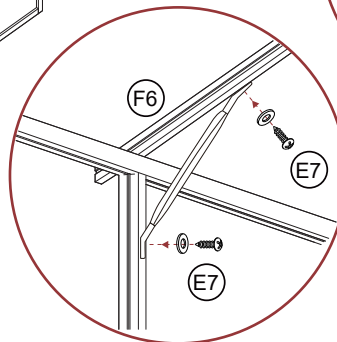
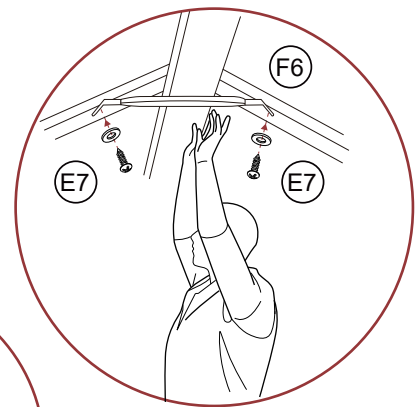
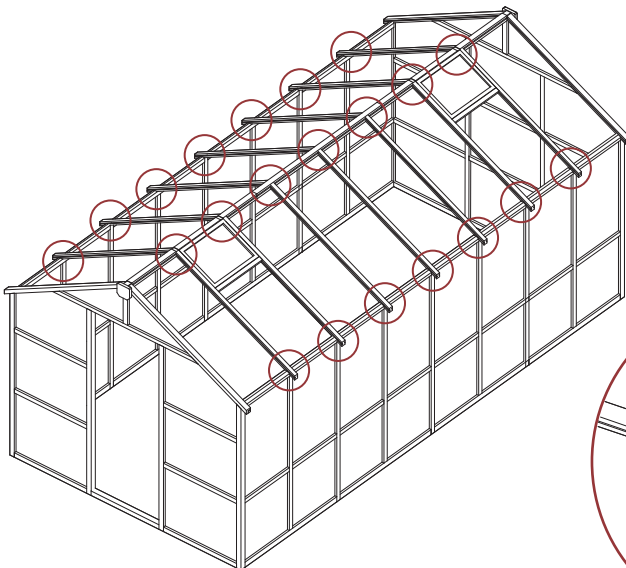
1. Place A11 on the front and rear frames of the greenhouse as shown in the figure
2. Use an electric drill to drive E2 in and secure it



STEP 63

Roof cover installation

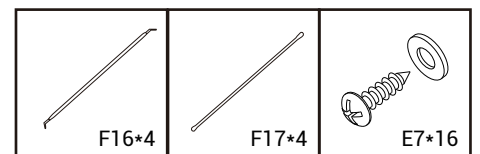
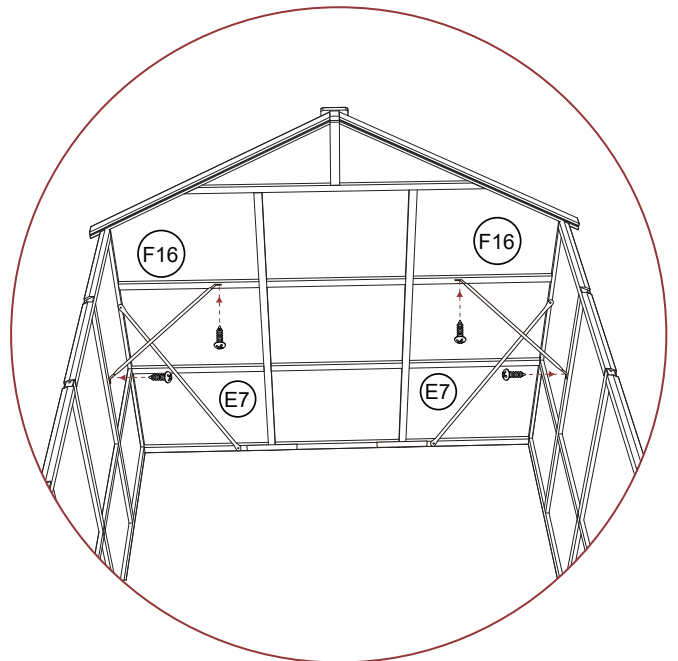
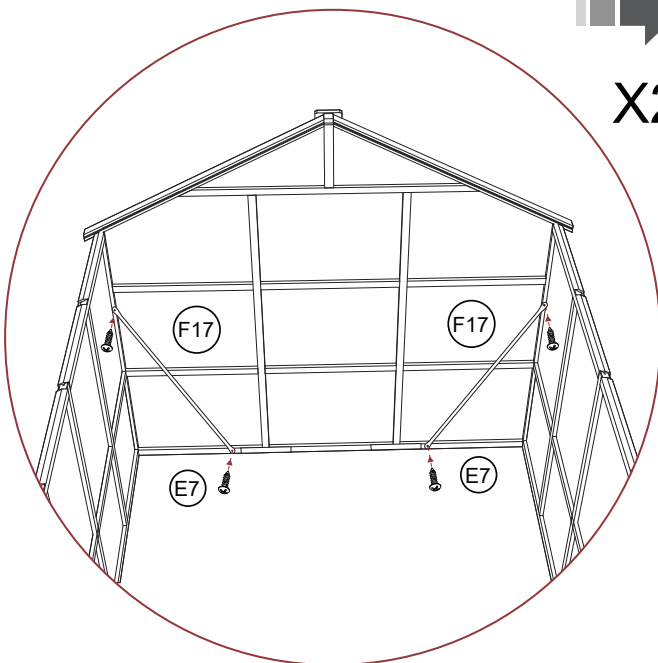
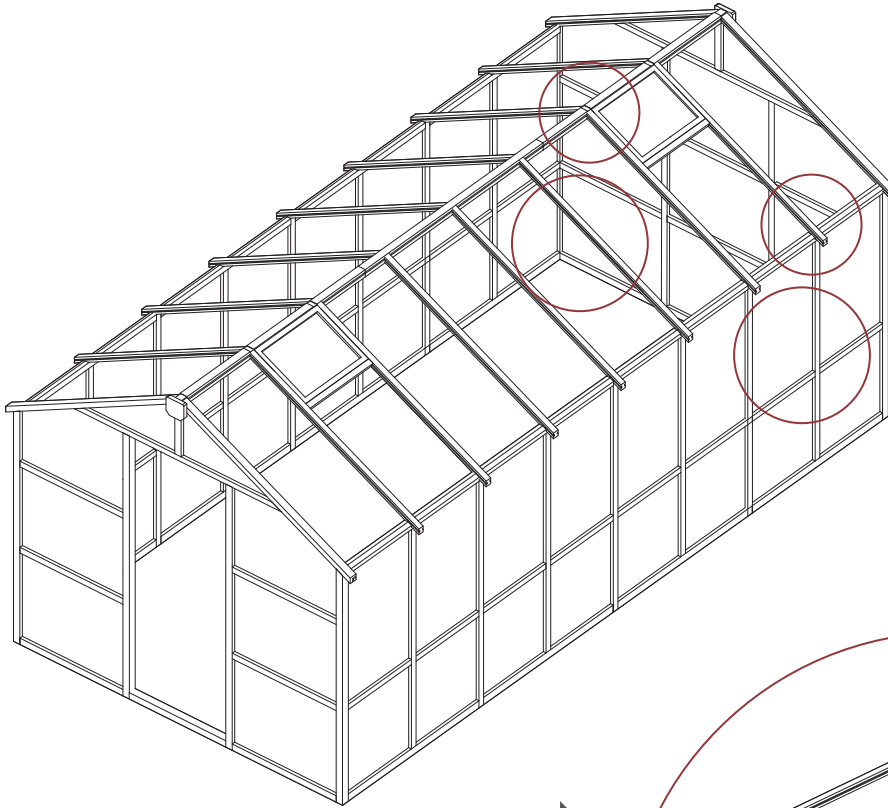
1. Place the F6 in the greenhouse, underneath A22/A33 and at the side joints
2. Fix F6 with E7
3. Gently push to ensure the F6 forms a stable triangular structure after installation



STEP 64

Roof cover installation

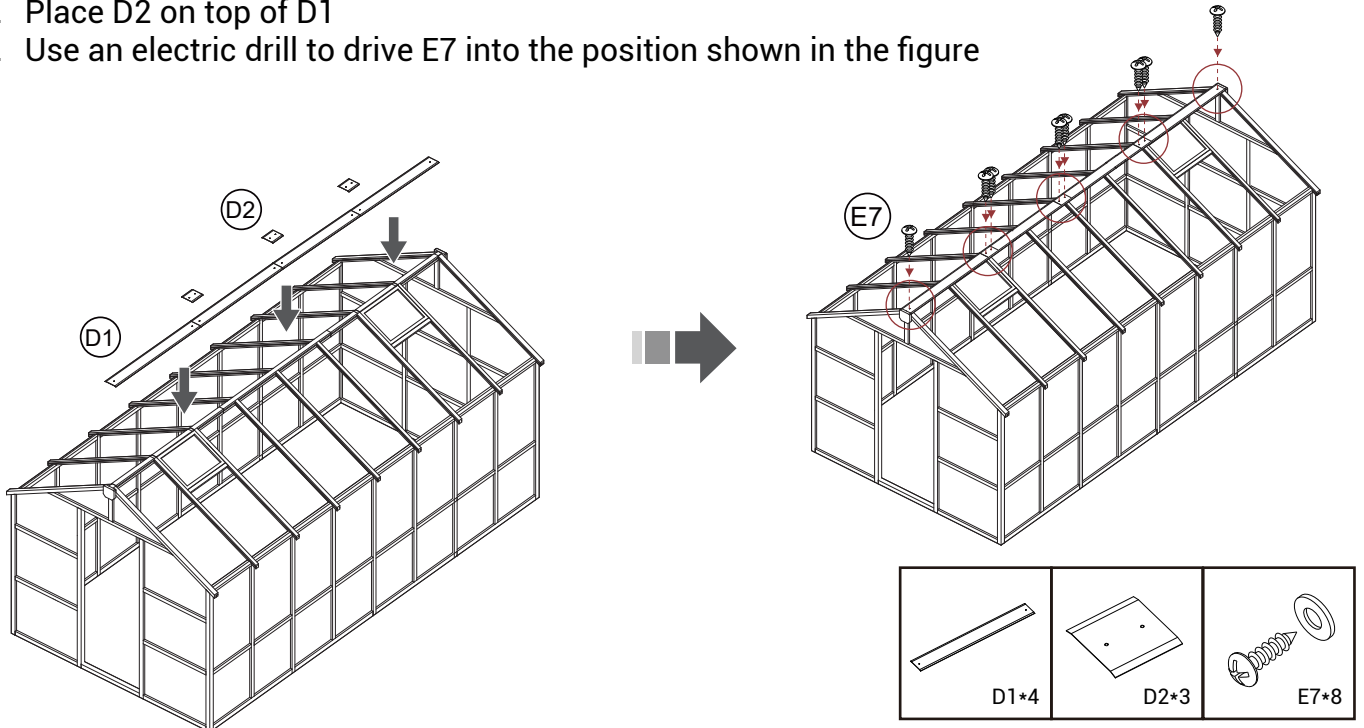
1. Place F16 on the greenhouse's rear wall at locations A15 and A18
2. Secure F16 with E7
3. Place F17 on the greenhouse's rear wall at locations A1, A2, and A12
4. Secure F17 with E7
5. Ensure that F16 and F17 form a stable triangular structure after installation



STEP 65

Installation of roof cover

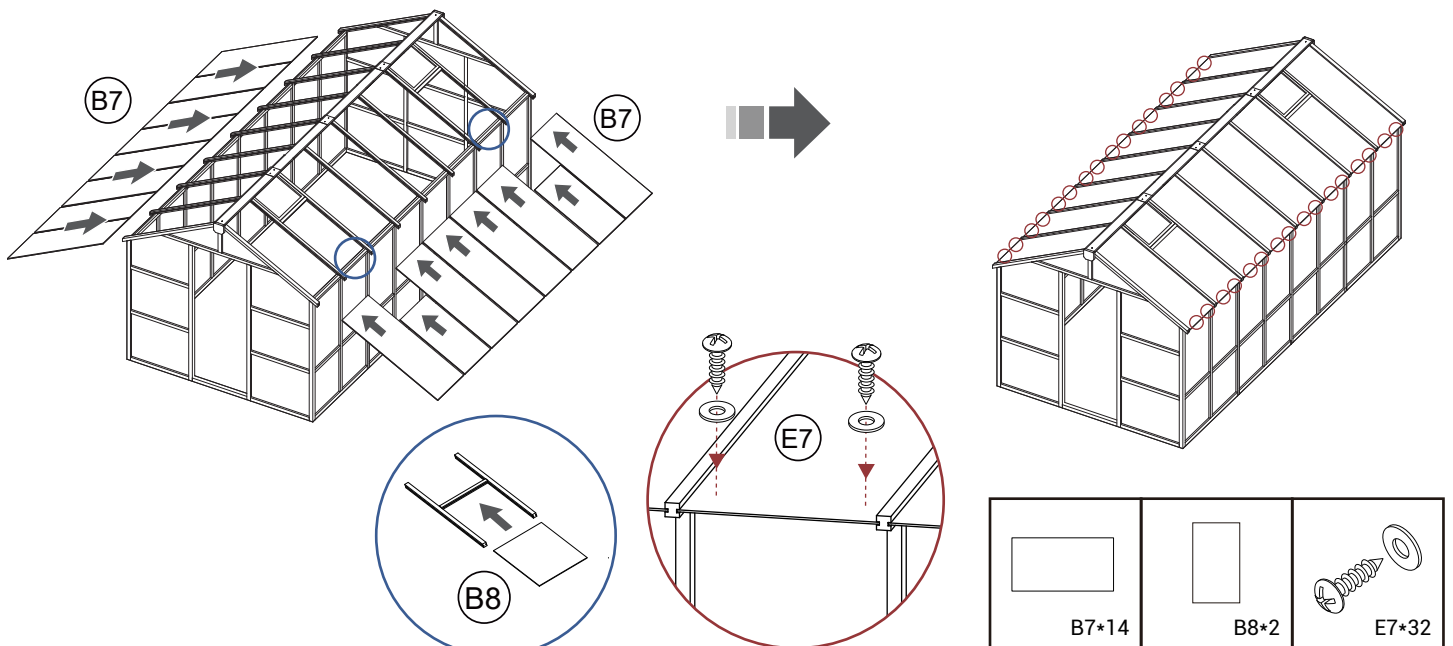
1. Place D1 on top of the beam to cover it
2. Place D2 on top of D1
3. Use an electric drill to drive E7 into the position shown in the figure



STEP 66

Install the transparent roof panel

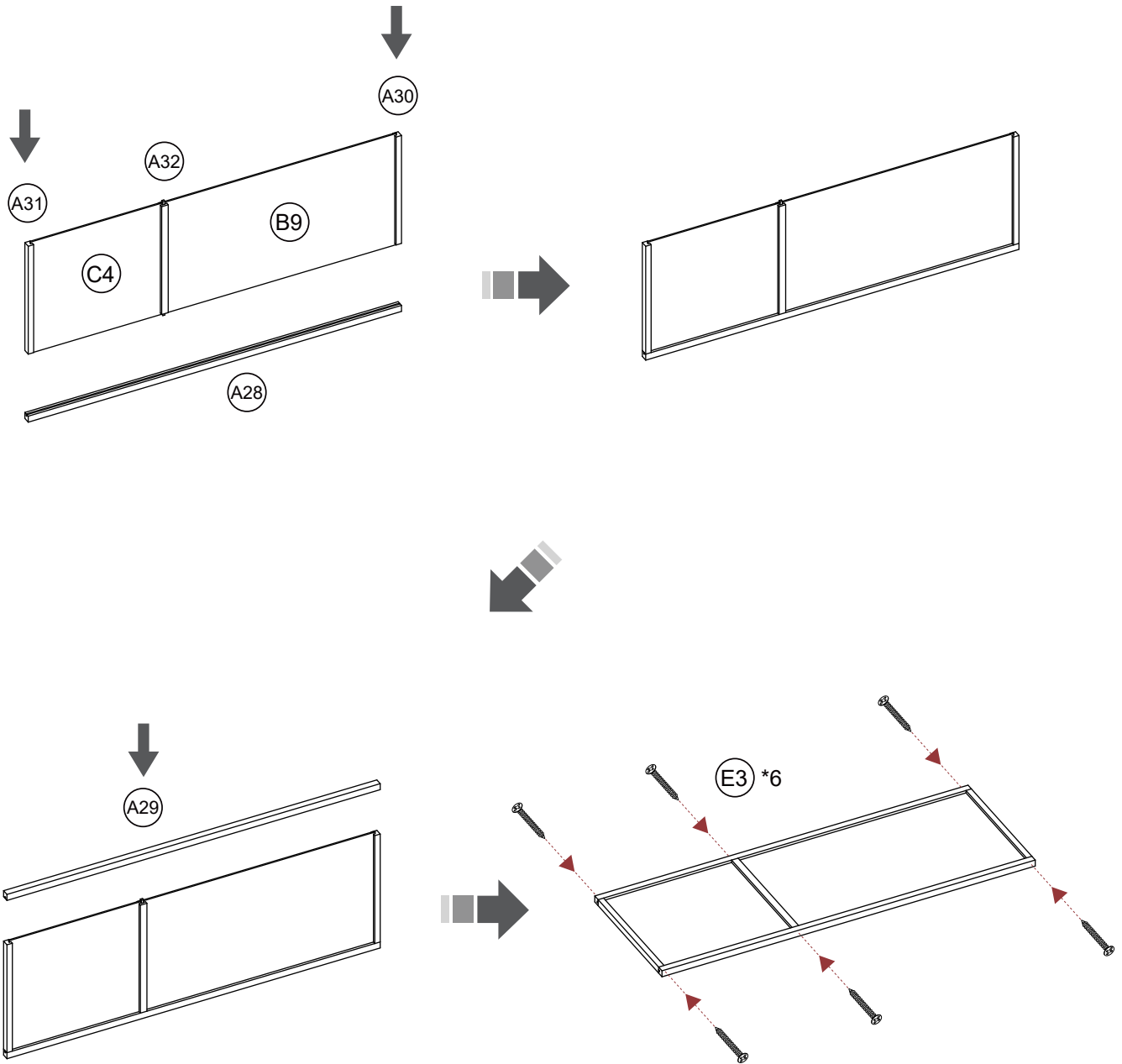
1. Insert B7/B8 into the roof beam groove/skylight crossbar groove until it reaches the bottom of the groove
2. Screw E7 into the position shown in the picture (E7 is eventually locked on the A21 board)



STEP 67

Install the door

1. Insert A30, C4, A31, B9, A32 into A28 in sequence
2. Insert A29
3. Secure with E2

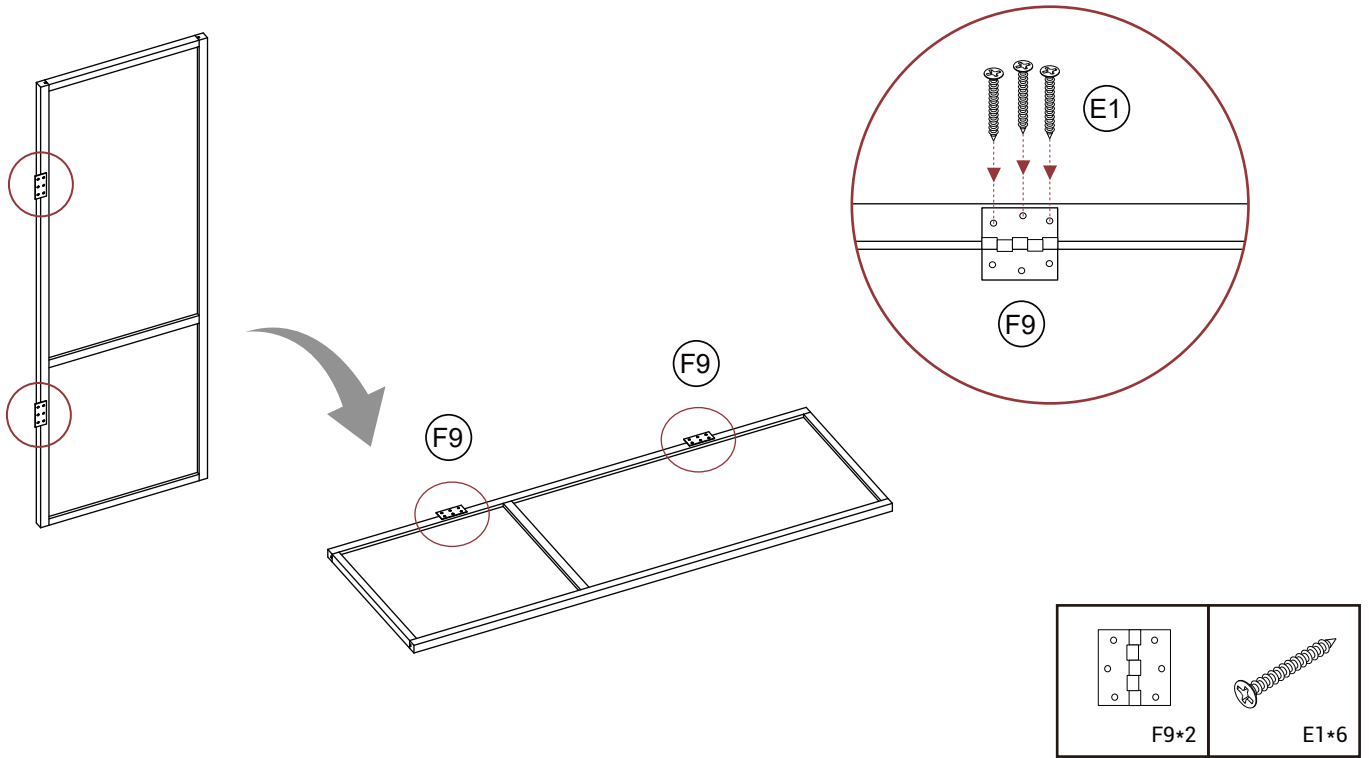


A28*1	A29*1	A30*1	A31*1	A32*1	C4*1	B9*1	E3*6

STEP 68

Install door hinges

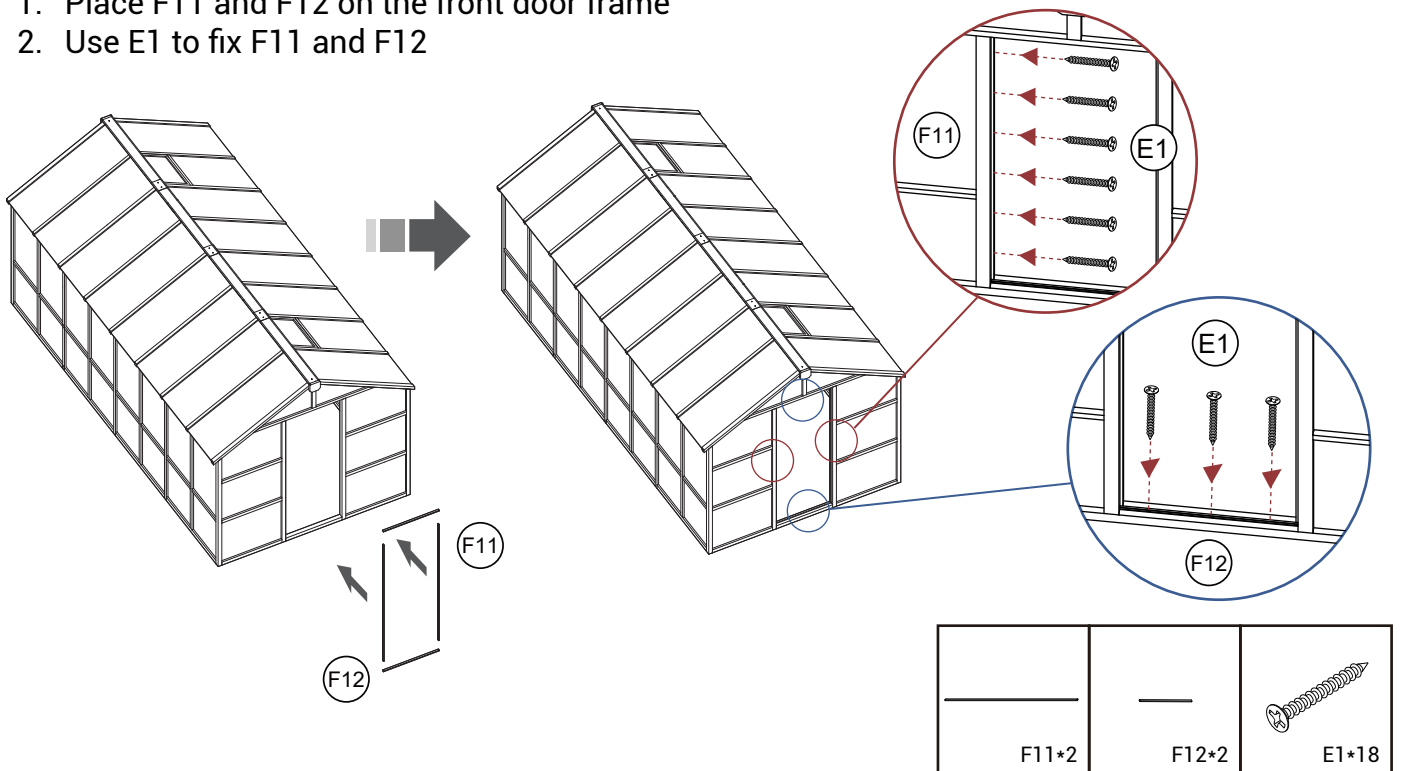
1. Fix F9 to the left side of the door with E1



STEP 69

Install the door sticker

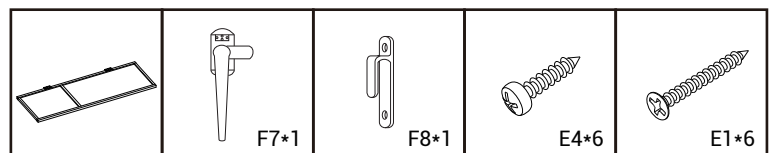
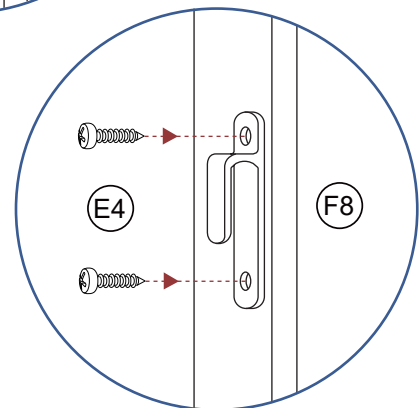
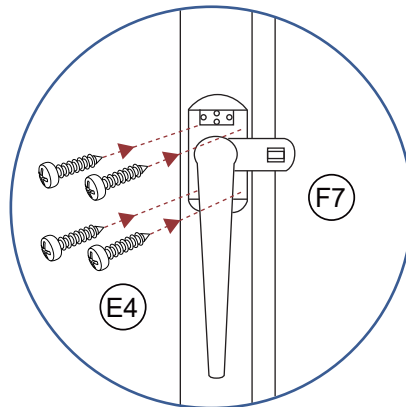
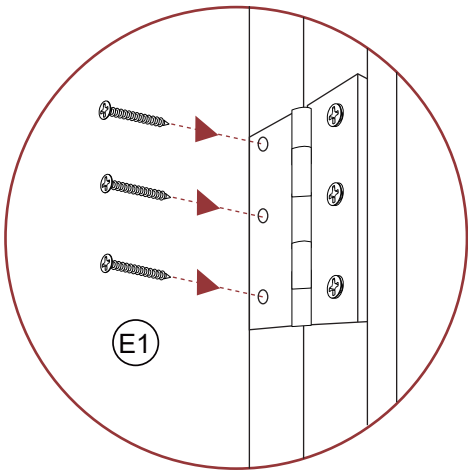
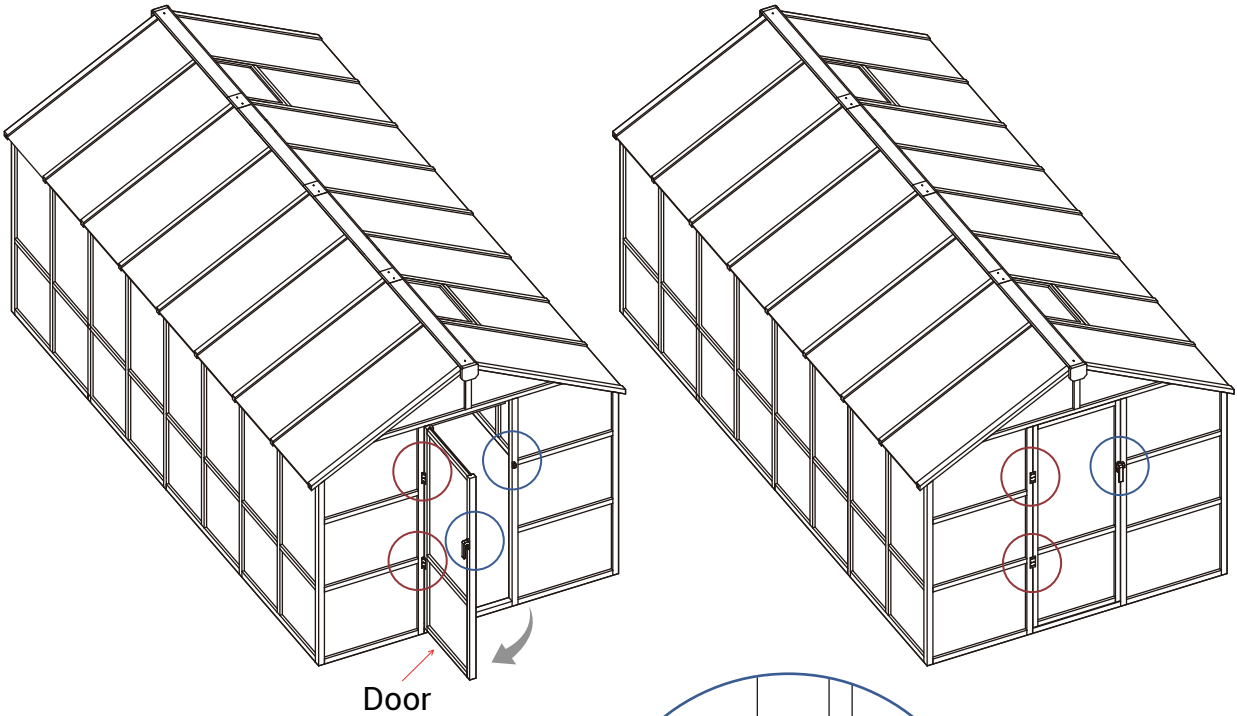
1. Place F11 and F12 on the front door frame
2. Use E1 to fix F11 and F12



STEP 70

Install the door

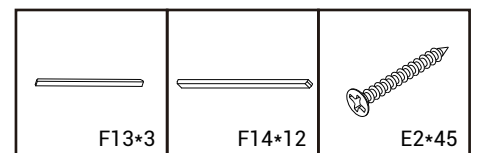
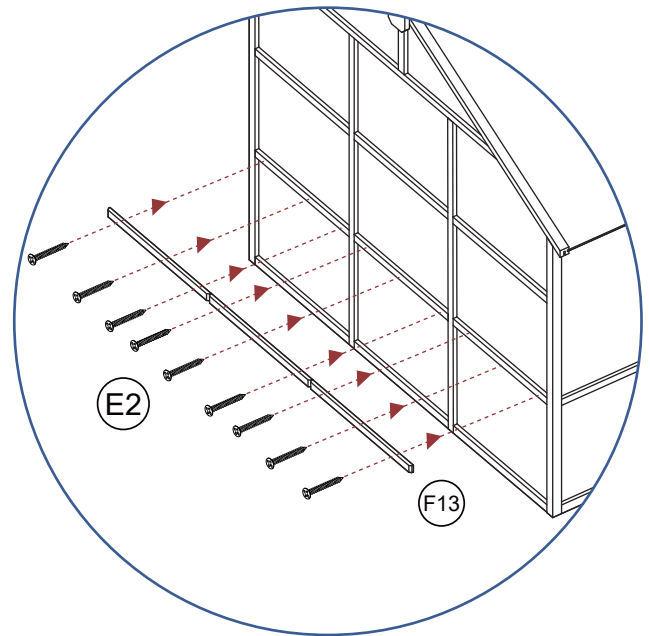
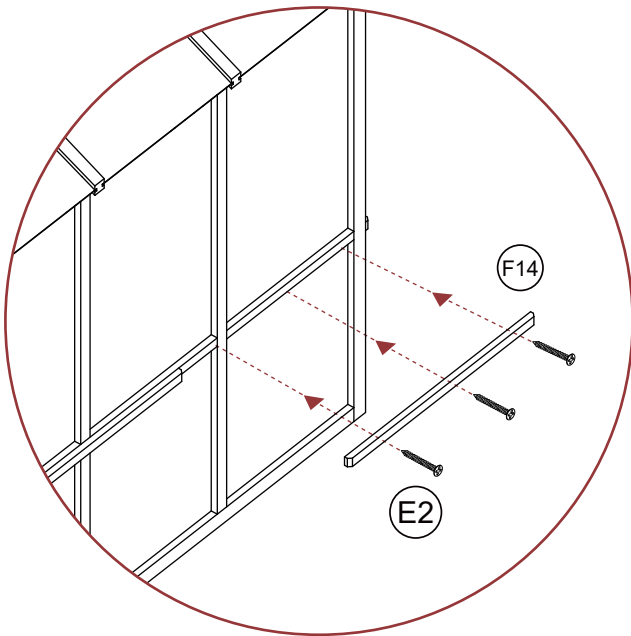
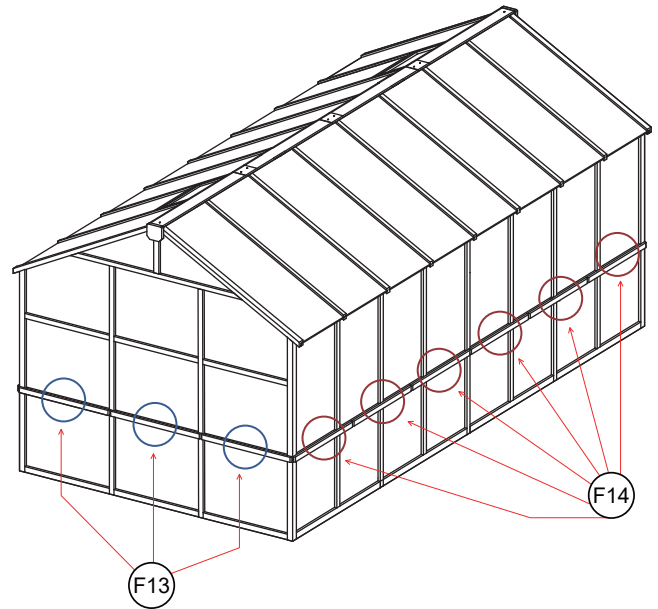
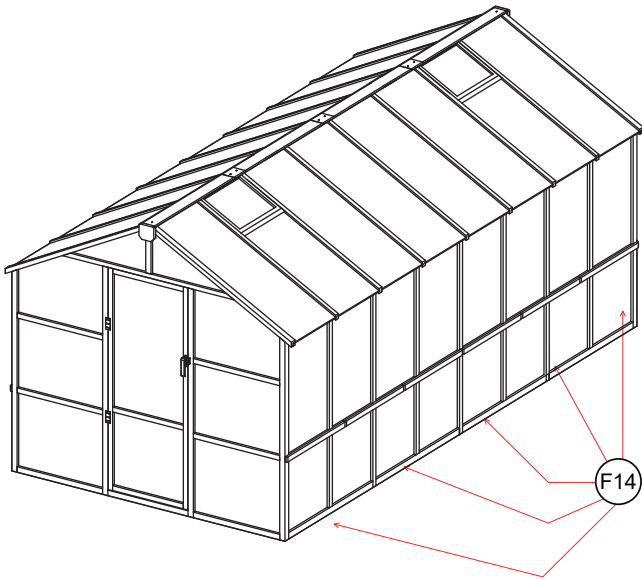
1. Put the door into the door frame
2. Align the hinge with the front frame and fix it with E1
3. Use E4 to fix F7 and F8 on the right side of the door



STEP 71

Fixing rod installation

1. Place F14 on the middle horizontal bar outside the left and right sides of the greenhouse, and use an electric drill to drive E2 in and fix it
2. Place F13 on the middle horizontal bar outside the rear frame of the greenhouse, and use an electric drill to drive E2 in and fix it

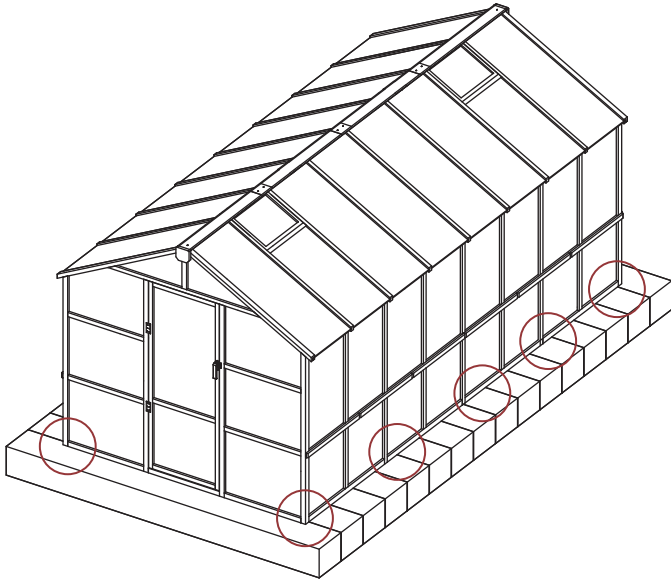


STEP 72

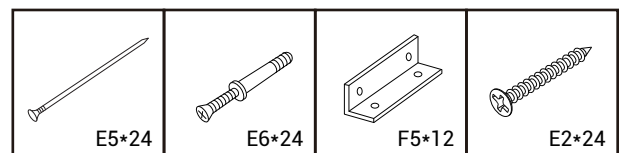
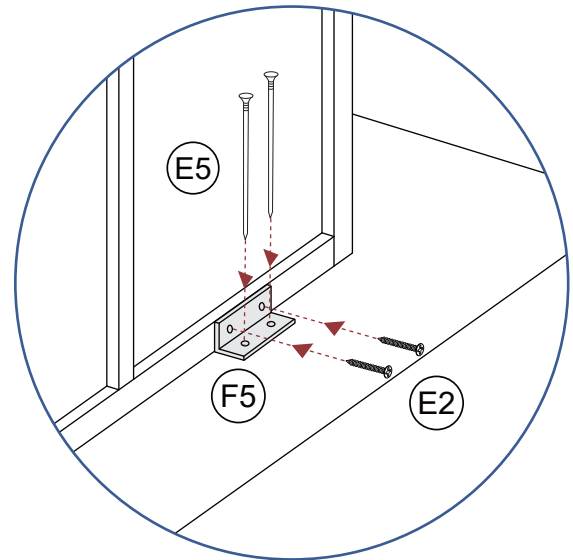
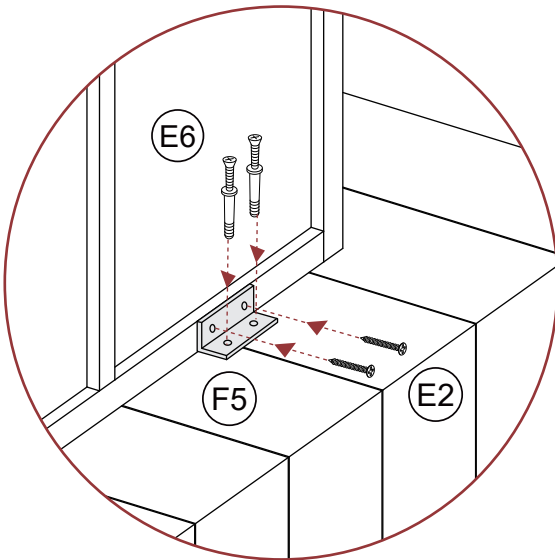
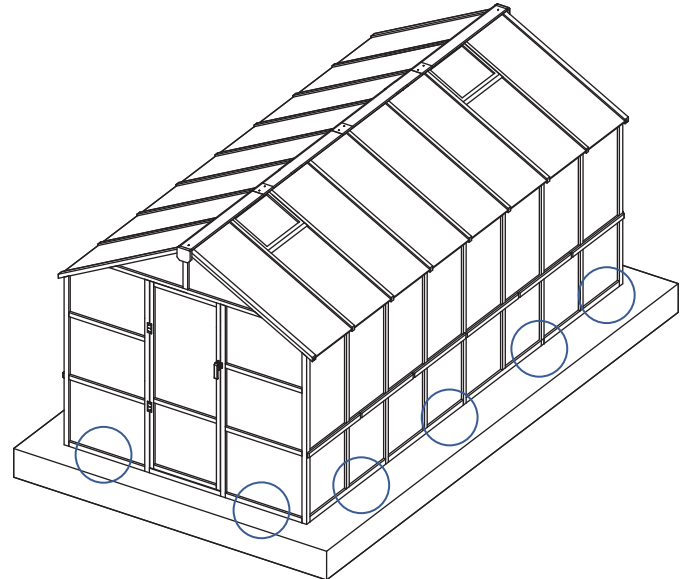
Fixed Conservatory

1. If the floor is wooden, use E6 and F5 expansion screws
2. If it is a mud floor, use E5 and F5 to fix it

Wooden board installation



Mud floor installation



STEP 73

Top bar installation

1. Install the top bar and insert it into the middle.

