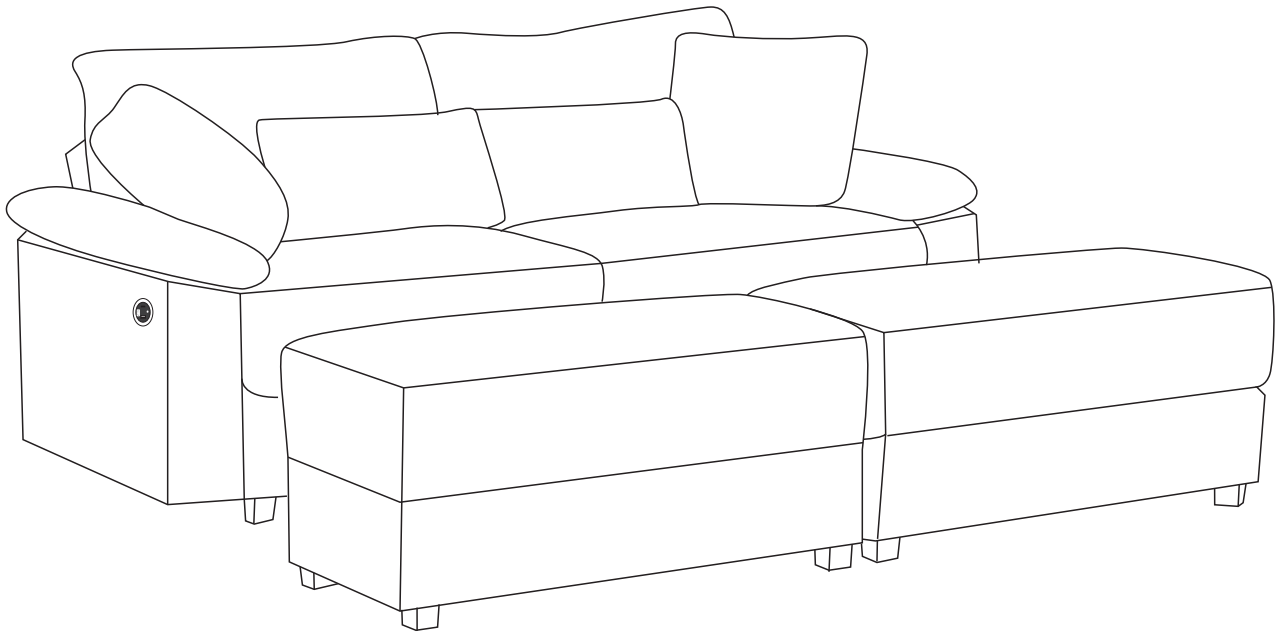


ASSEMBLY INSTRUCTION

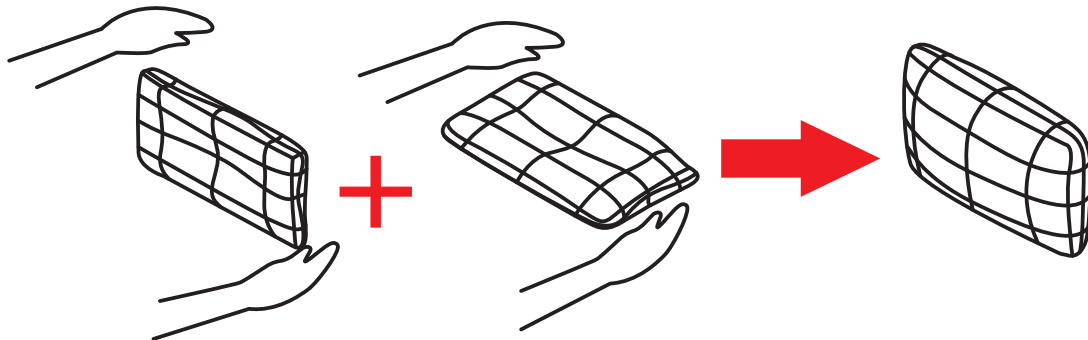
Friendly Reminder:

- 1.This sofa is packed in 2 boxes. please assemble it After all boxes are received.
- 2.As the cushions are all vacuum compressed, there will be some wrinkles.please give your cushions up to 72 hours to reach its original size and the wrinkles will basically disappear.
- 3.Please do not open the compressed packags until your sofa frame is completely assembled.

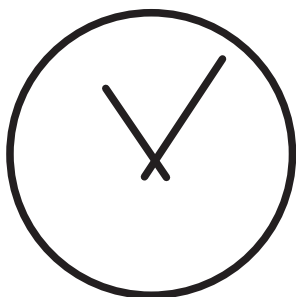


Tips:

1. due to differences of lights, the actual color of the materials might be slightly different from the pictures.
2. due to package compression for better shipment, the fabric may have wrinkles.
3. please take all packages out and pat every part to make it rebound better and fluffy, so that it can restore to picture-like status.
4. please keep children away from the plastic bags.



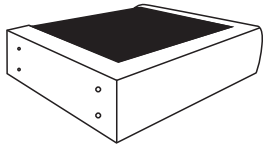

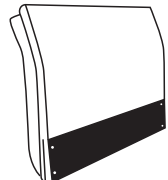
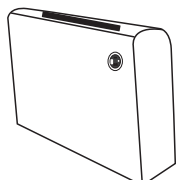
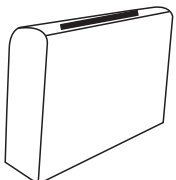
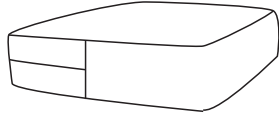

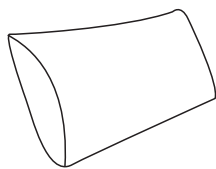

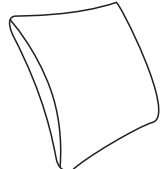



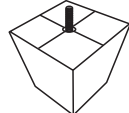



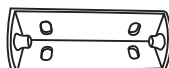



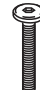
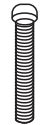
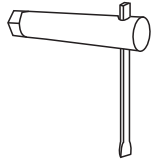
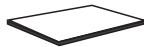

1. repeatedly tap the sides and front and back to make it rebound better and fluffy.
2. knead your cushion like giving your cushion a massage while allowing the air to flow through the foam.



72h

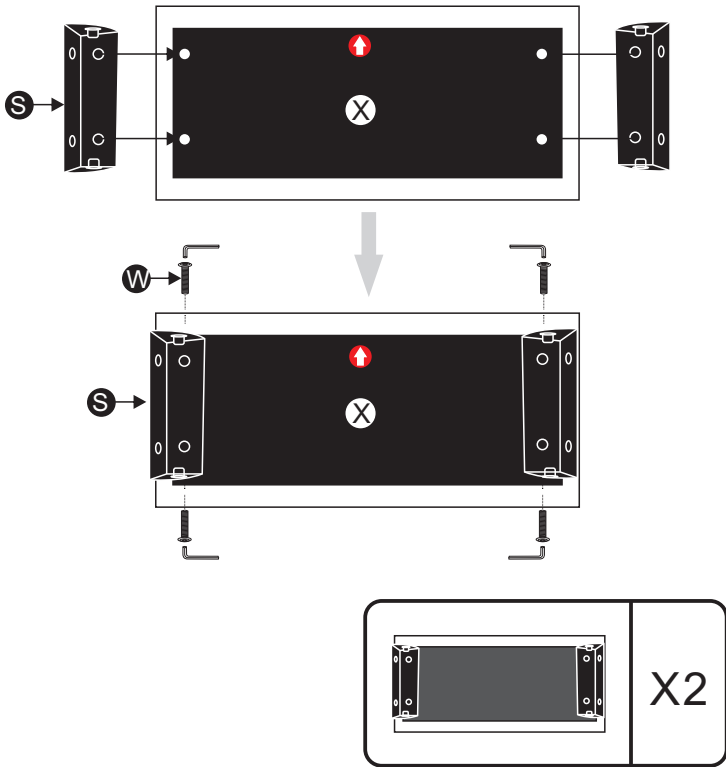
it might takes up to 72 hours.

Accessories List

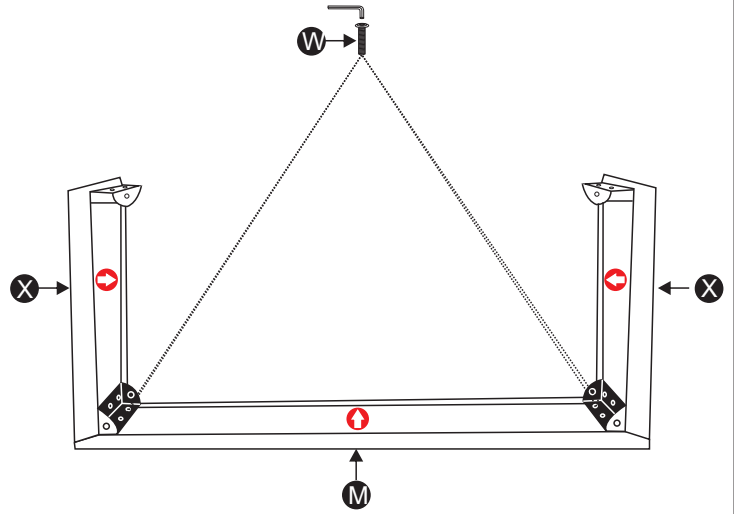
<p>Ax1</p>  <p>Seat pad frame (left)</p>	<p>Bx1</p>  <p>Seat pad frame (right)</p>	<p>Cx2</p>  <p>Backrest</p>	<p>Dx1</p>  <p>Handrail (left)</p>		
<p>Ex1</p>  <p>Handrail (right)</p>	<p>Fx2</p>  <p>Sofa cushion</p>	<p>Vx2</p>  <p>Armrest bag</p>	<p>Hx2</p>  <p>Back cushion</p>		
<p>Ix2</p>  <p>Lunbar pillow</p>	<p>Gx2</p>  <p>Pillow</p>	<p>Yx2</p>  <p>Sofa cushion</p>	<p>Mx4</p>  <p>Footstool crossbar (long)</p>		
<p>Xx4</p>  <p>Short footstool crossbar</p>	<p>Rx16</p>  <p>Leg</p>	<p>Jx20</p>  <p>Nut</p>	<p>Kx20</p>  <p>Iron gasket</p>		
<p>Ux2</p>  <p>Baseboard</p>	<p>Sx8</p>  <p>Hardware connectors</p>	<p>Nx18</p>  <p>M8X60mm</p> <p>Bolt</p>	<p>Ox1</p>  <p>Hexagon wrench</p>		
<p>Tx16</p>  <p>Foot rest pad</p>	<p>Wx32</p>  <p>M6X20mm</p> <p>Bolt</p>	<p>Lx2</p>  <p>M8X60mm</p> <p>Bolt</p>	<p>Px1</p>  <p>Cross socket wrench</p>	<p>Zx16</p>  <p>Felt pad</p>	<p>A1x1</p>  <p>Power</p>

FOOTSTOOL INSTALLATION STEPS

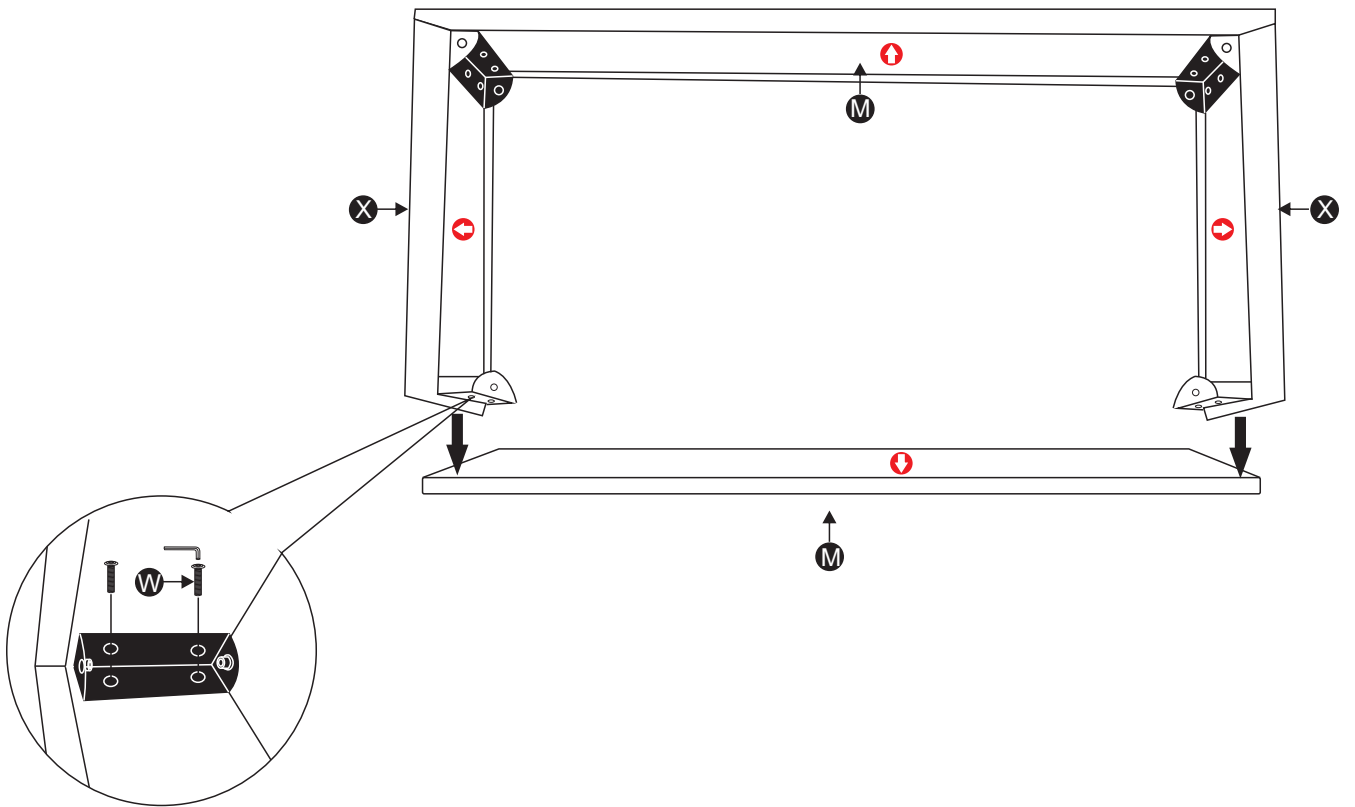
step1



step2

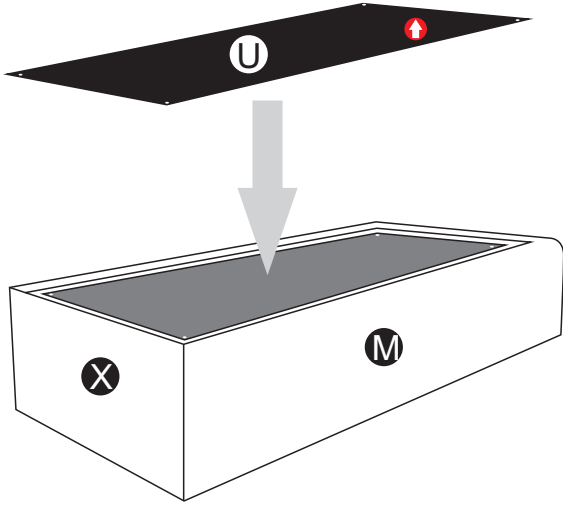


step3

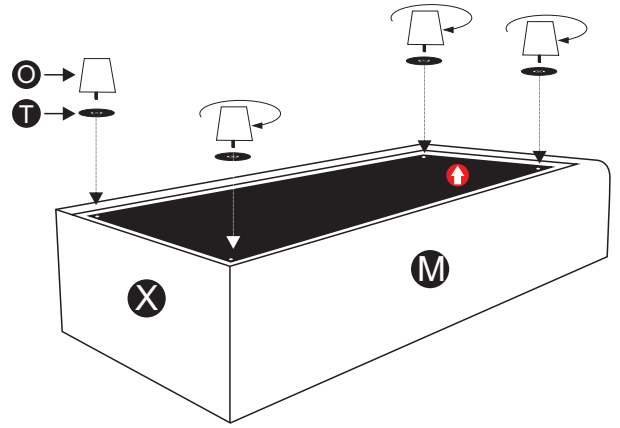
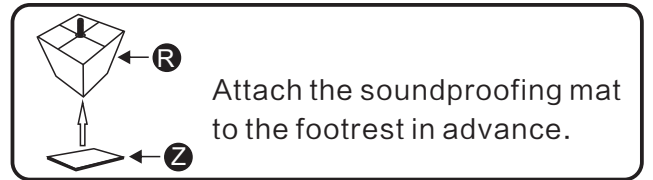


step4

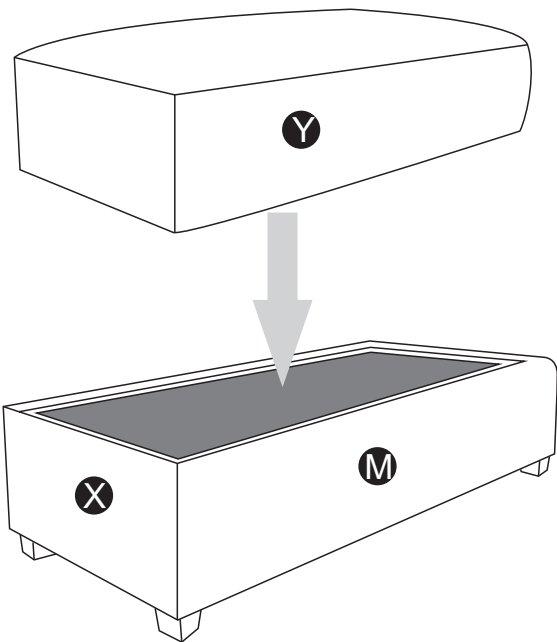
Note: Install with red arrow pointing outwards before.



step5

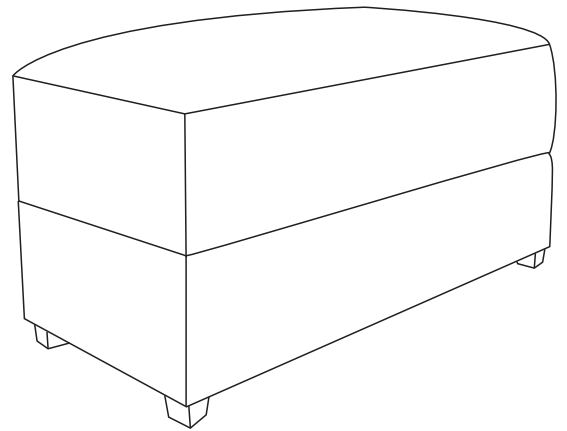


step6



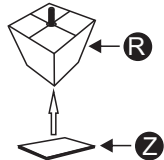
step7

Done!

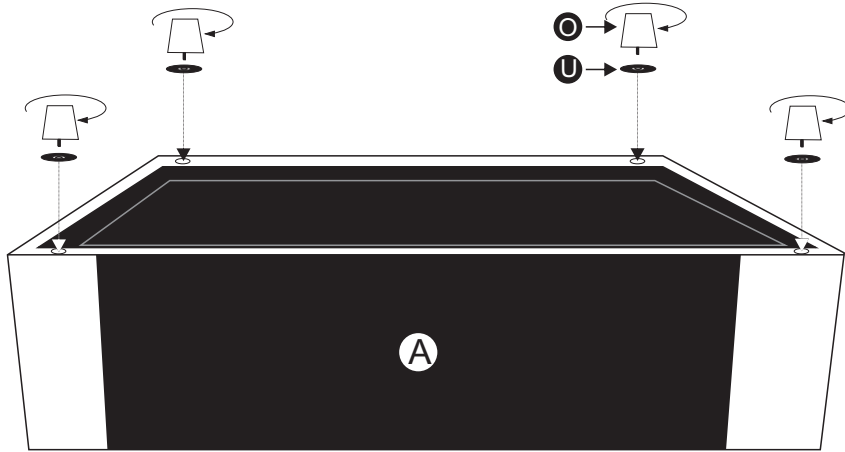


SOFA INSTALLATION STEPS

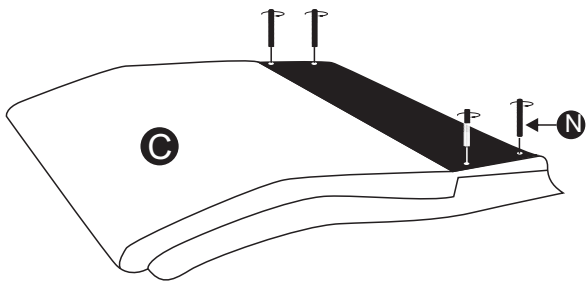
step1



Attach the soundproofing mat to the footrest in advance.

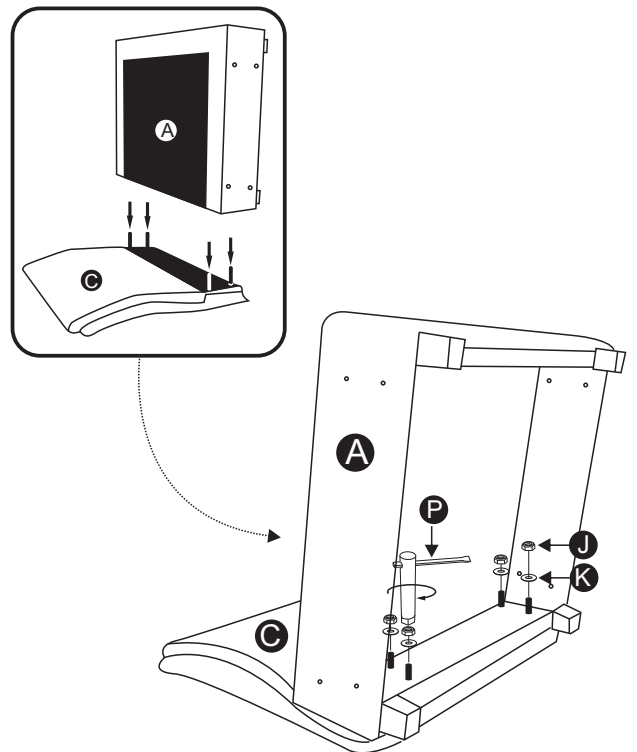


step2



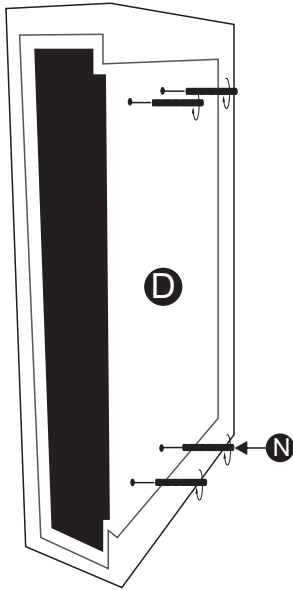
Tighten the screws 50%

step3



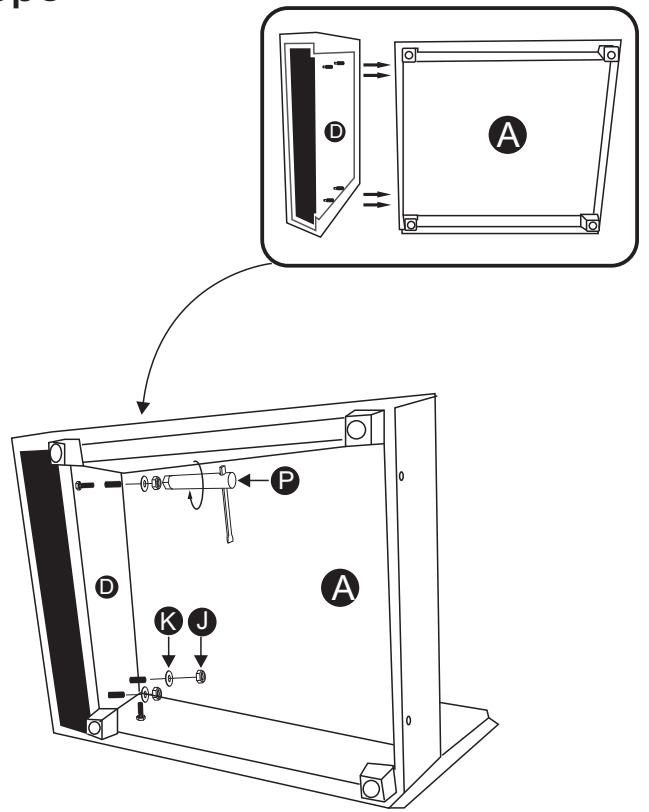
SOFA INSTALLATION STEPS

step4

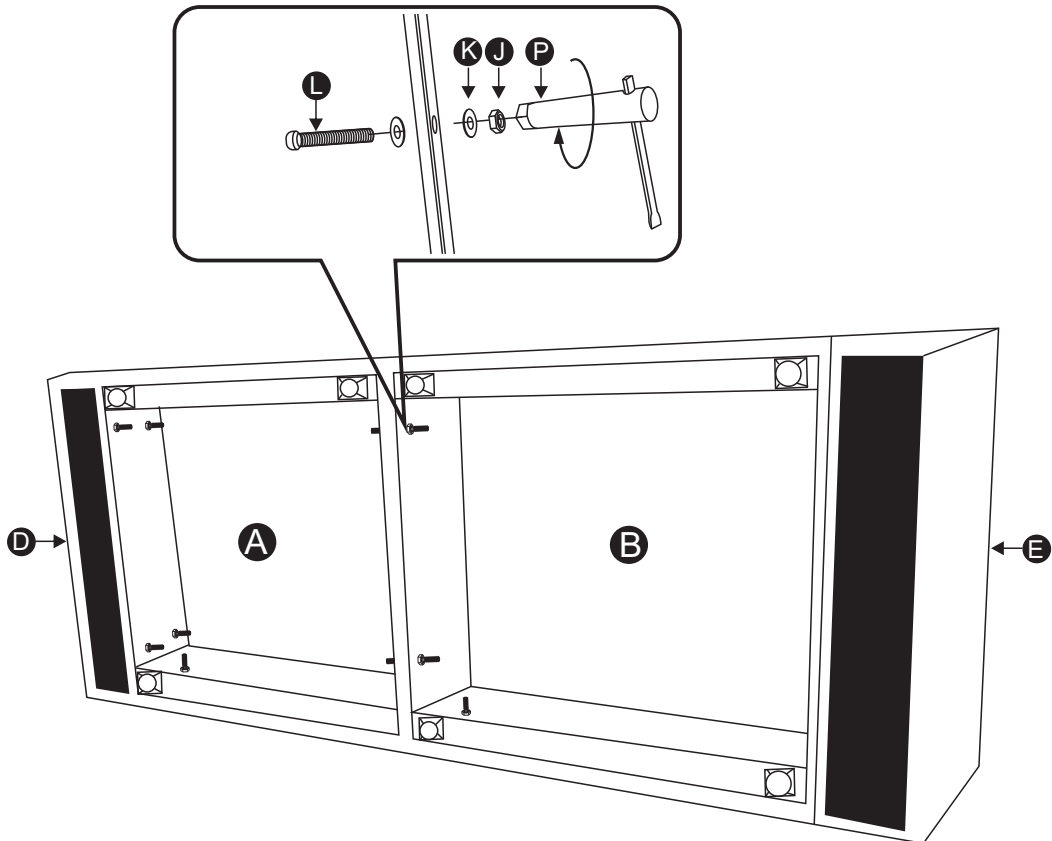


Tighten the screws 50%

step5

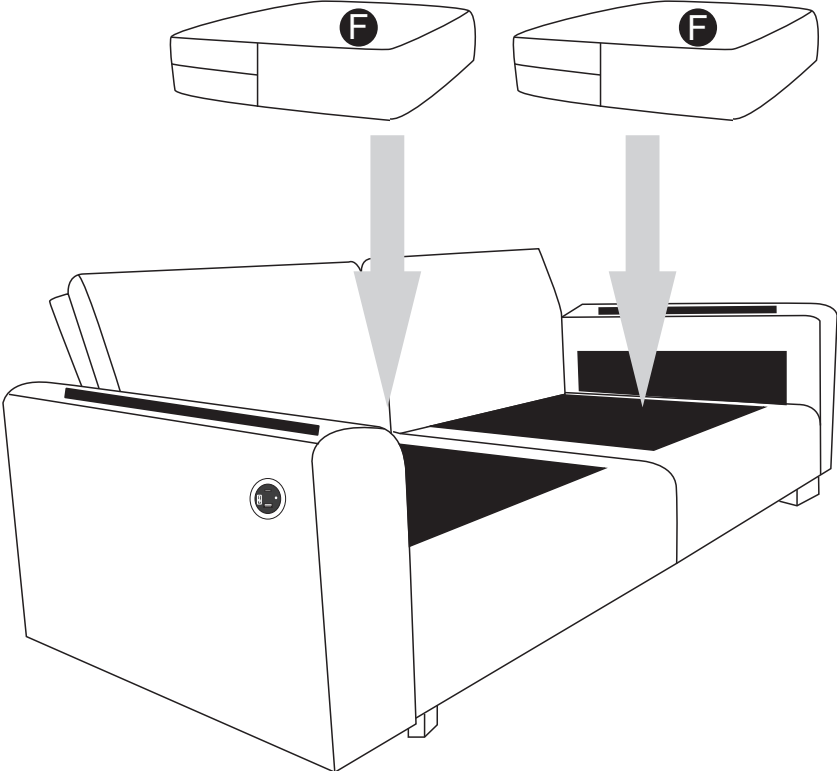


step6



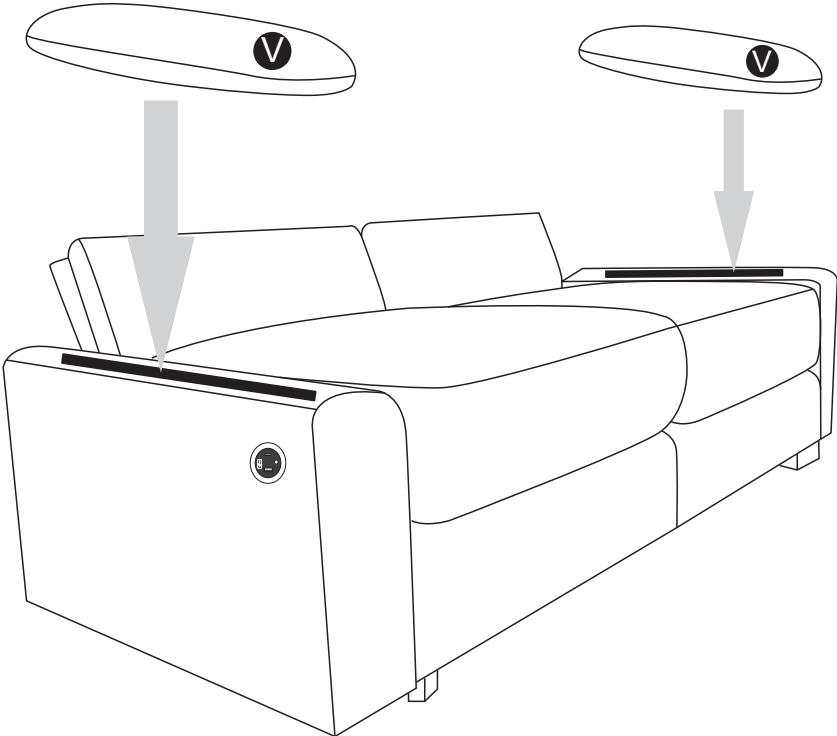
SOFA INSTALLATION STEPS

step7



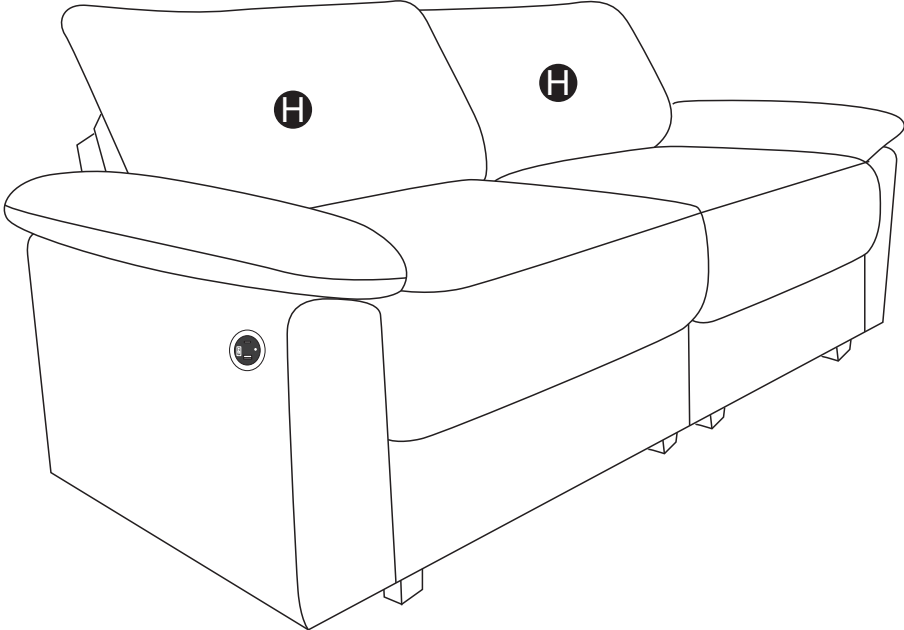
step8

Note: This step has the use of velcro to secure.

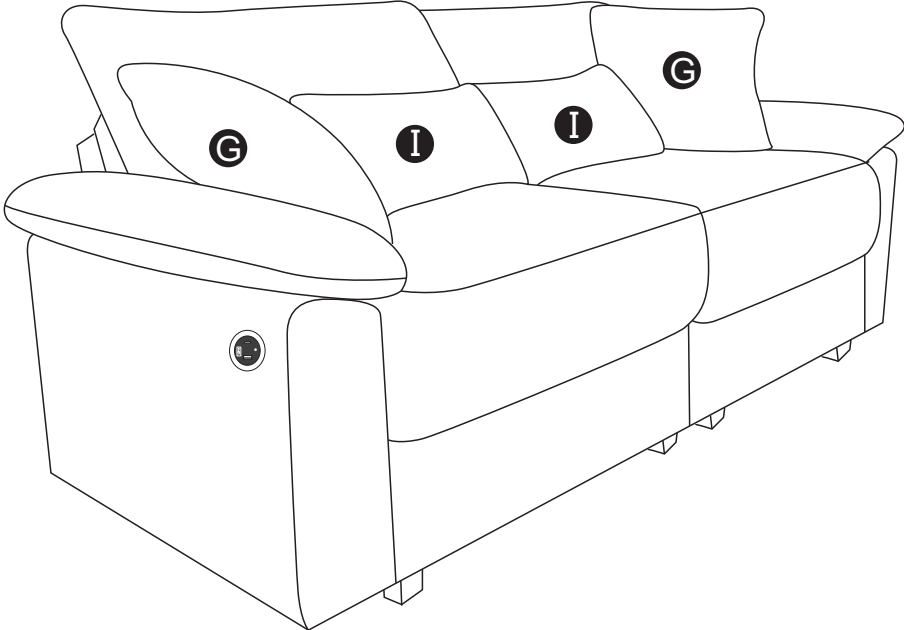


SOFA INSTALLATION STEPS

step9



step10



SOFA INSTALLATION STEPS

Done!

