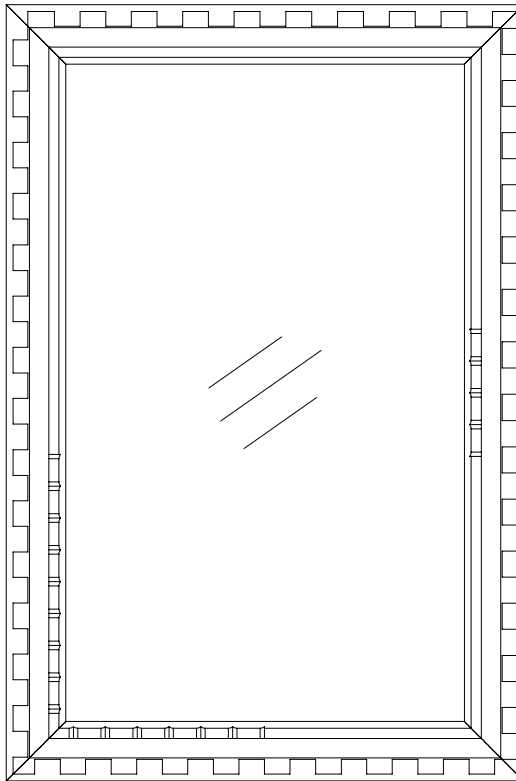


MOE'S

Assembly Instructions

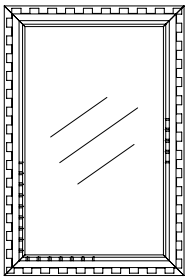




HOLLAND MIRROR LARGE

PZ-1016-03



Thank you for your purchase!

Parts and Hardware

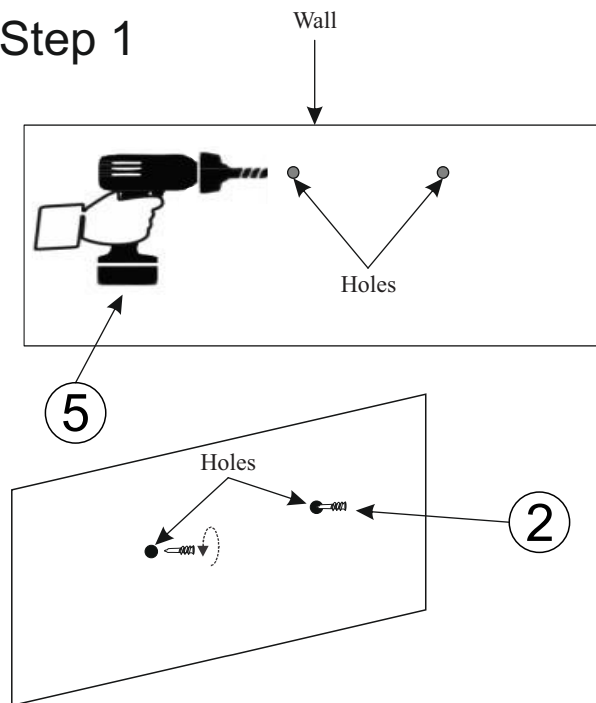
<p>1. WOODEN MIRROR FRAME x 1</p> 	
<p>2. WALL ANCHOR x 2 L40 mm x Ø13 mm</p> 	<p>3. SCREW x 2 L38 mm x Ø7 mm</p> 
<p>4. SCREWDRIVER x 1 (NOT INCLUDED)</p> 	<p>5. POWER DRILL x 1 (NOT INCLUDED)</p> 

Notes

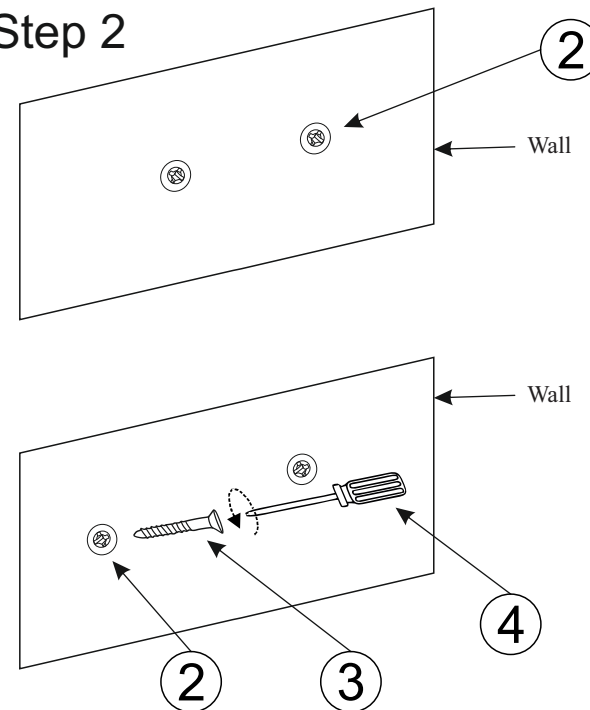
Thank you for purchasing this quality product!
Be sure to check all packing material carefully for small part that may have come loose inside the carton during shipping.

Caution: The item is heavy, assembly should be performed by two people.

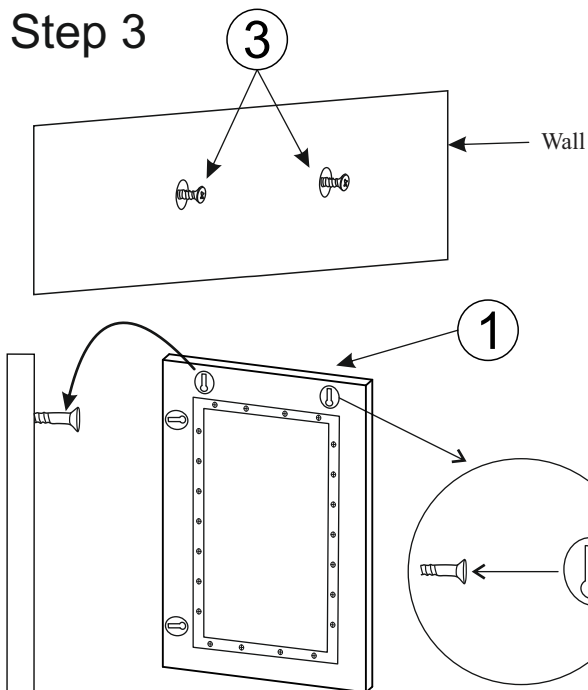
Step 1



Step 2



Step 3



Step 4

