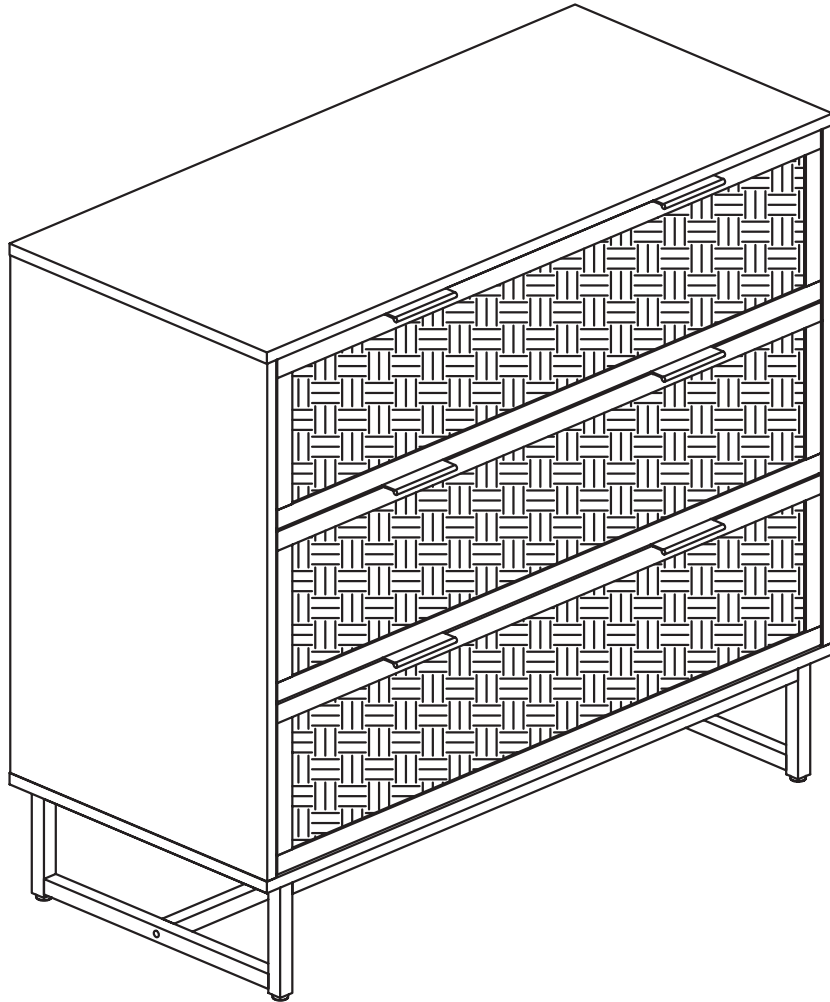


Let's build the

Kova Dresser

SKU 71311



Scan me!

Free Lifetime
Warranty

nathan james

24.-0102

Ok, let's get rolling

This should be easy, just follow our instructions and you will be back to Netflix in no time.

Estimated time for assembly



140:00

What you need

- Some of your favourite bubbly or your preferred relaxant
- Use the packaging carton as a working surface to prevent product damage during assembly
- Phillips head screwdriver

Weight Limitation



90

lbs Table Top

26

lbs per Shelf

Toll-free at 1-866-619-1004

Help@nathanjames.com

Nathanjames.com/help

What's included

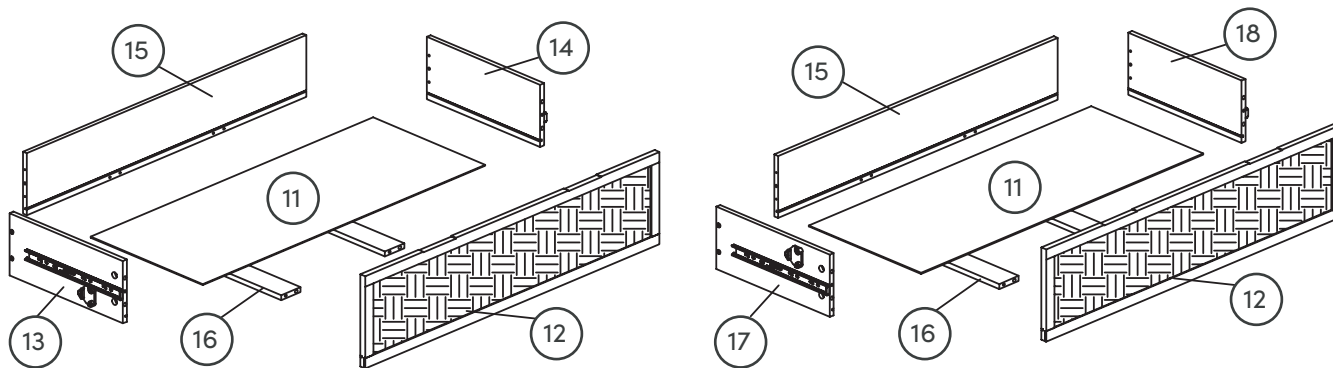
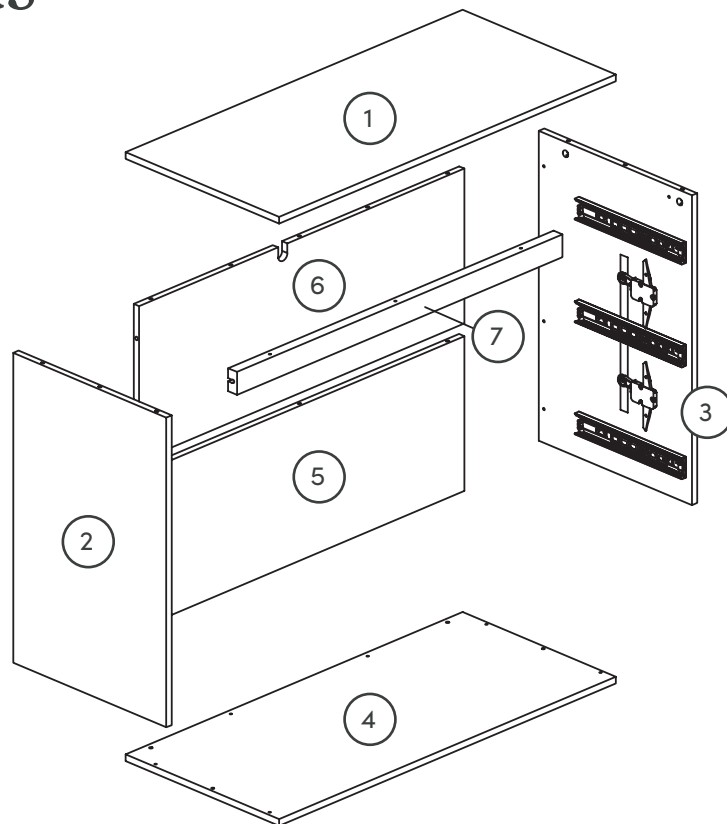
	Description	Qty
1	Top Panel	1
2	Left Side Panel	1
3	Right Side Panel	1
4	Bottom Panel	1
5	Lower Back Panel	1
6	Upper Back Panel	1
7	Top Stretcher	1
8	Top Metal Stretcher	2
9	Bottom Metal Stretcher	1
10	Metal Side Frame	2
11	Drawer Bottom (All Drawers)	3
12	Drawer Front (All Drawers)	3
13	Drawer Side—Left (Top & Middle Drawers)	2
14	Drawer Side—Right (Top & Middle Drawers)	2
15	Drawer Back (All Drawers)	3
16	Drawer Side Bottom Support (All Drawers)	6
17	Drawer Side—Left (Bottom Drawer)	1
18	Drawer Side—Right (Bottom Drawer)	1

Scan me!

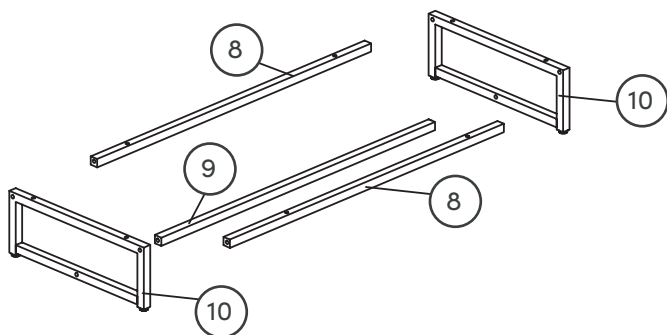
Free Lifetime
Warranty



The goods



x2

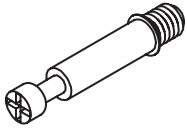


IMPORTANT

1. Do not tighten bolts / screws completely until all bolts / screws are lined up and inserted into holes.
2. Do not over tighten screws and bolts to avoid stripping.

What's included

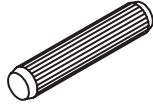
	Description	Qty
A	M6*35mm Cam Bolt	35
B	15*9.5mm Cam Lock	35
C	M6*30mm Wooden Dowel	35
D	M4*50mm Screw	10
E	M4*38mm Screw	18
F	¼"*30mm Bolt	14
G	Allen Key	1
H	Handle	6
I	M3*12mm Screw	12
J	M4*35mm Screw	1
K	M4*14mm Screw	2
L	Adjustable Anchor Bracket	1
M	Plastic Anchor	1



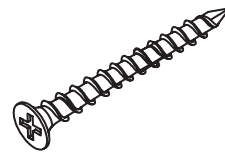
A



B



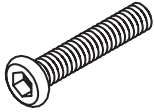
C



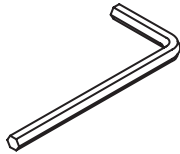
D



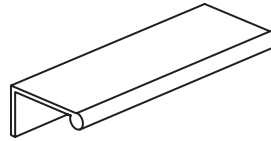
E



F



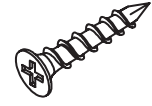
G



H



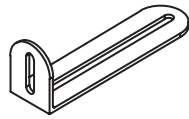
I



J



K



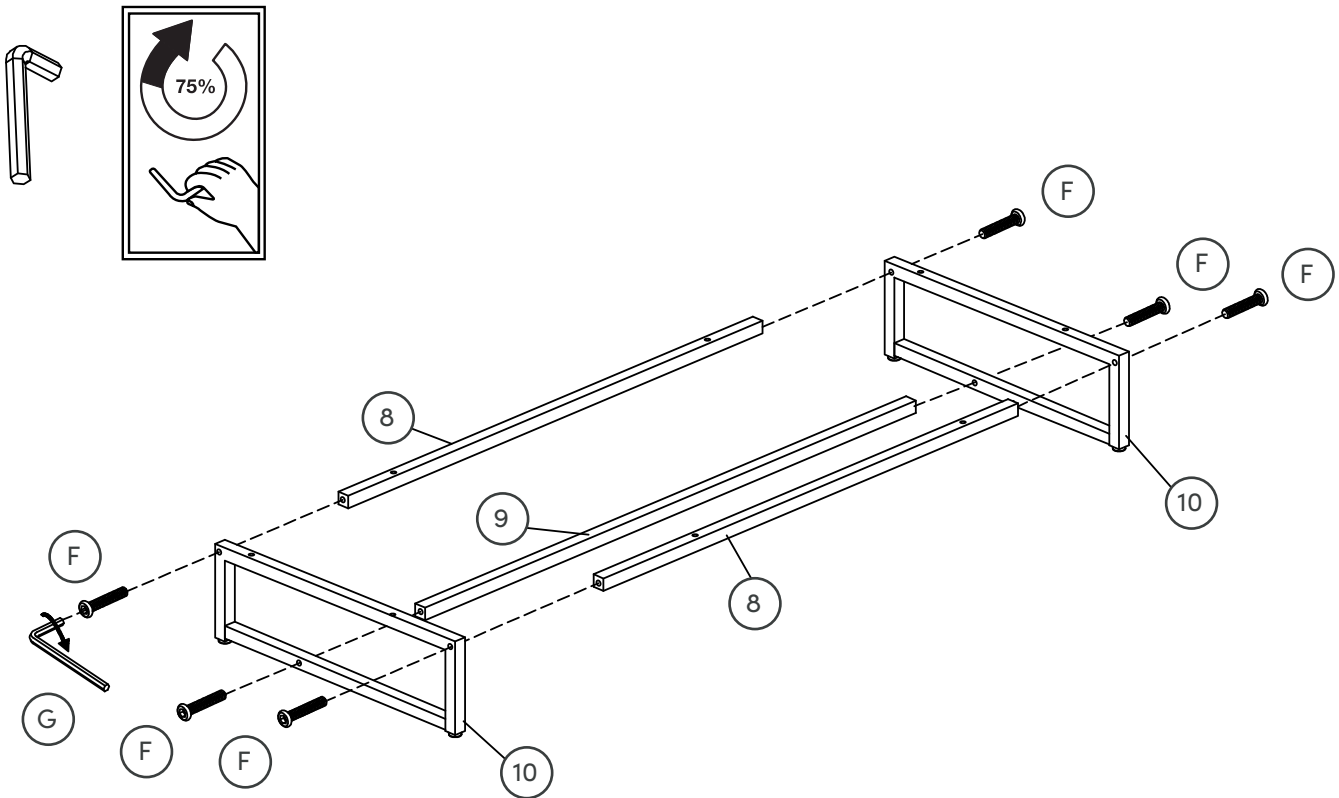
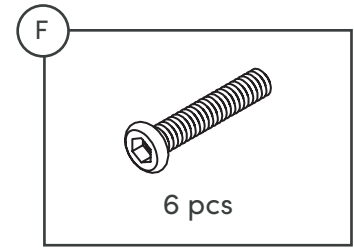
L



M

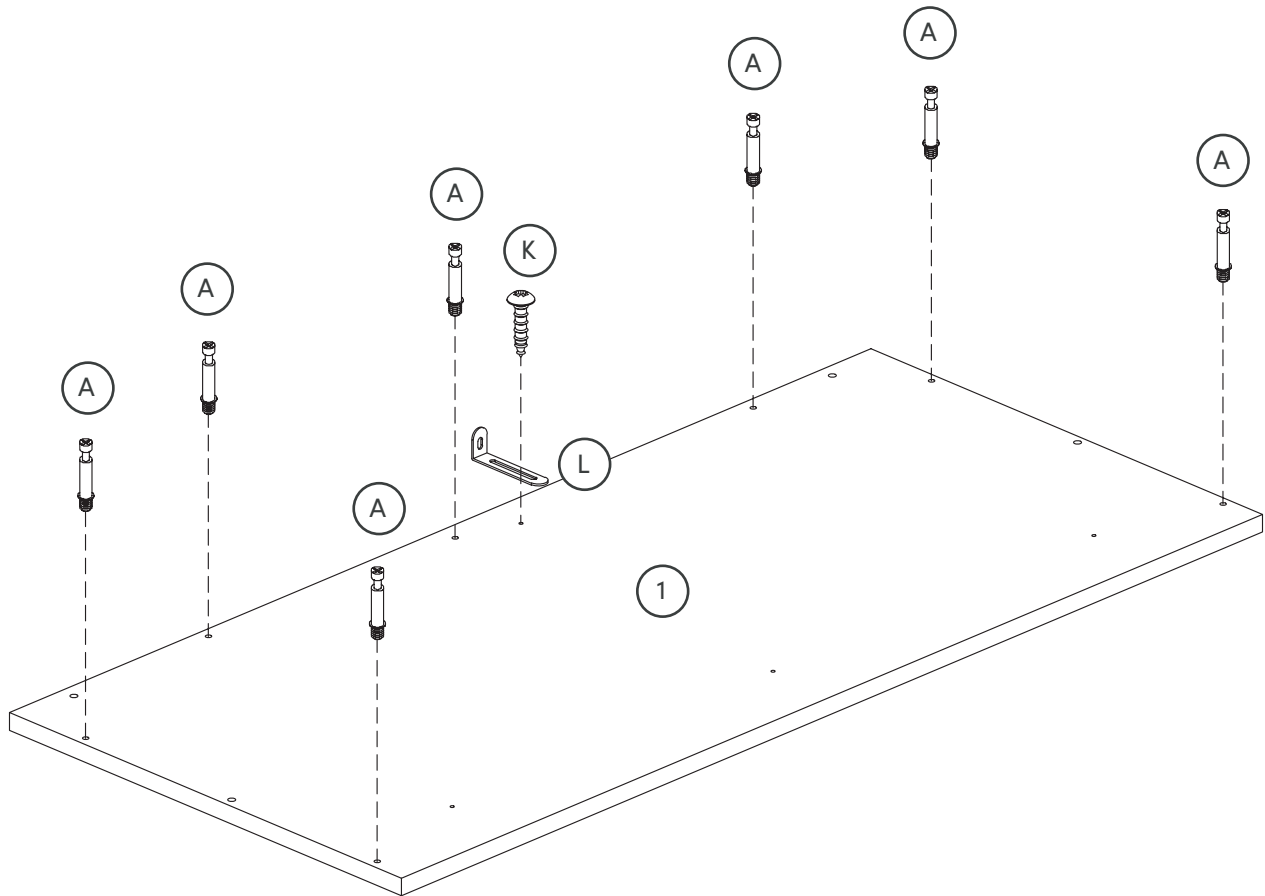
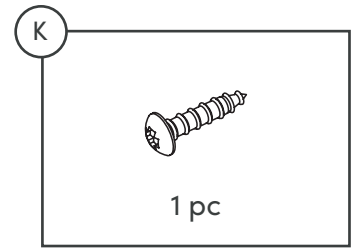
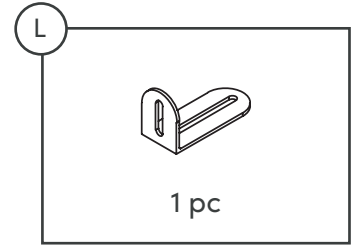
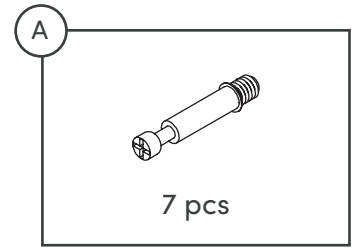
Step 1

Alright, let's get this thing fired up! Using the 1/4" * 30mm Bolts (F), connect the Metal Side Frames (10) to the Top Metal Stretchers (8) and Bottom Metal Stretcher (9). Tighten bolts to 75% using the Allen Key (G).



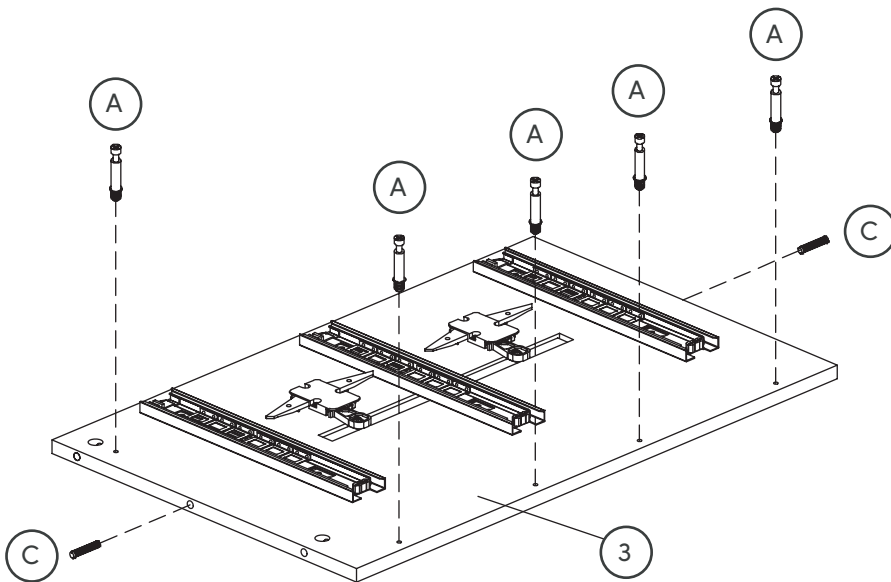
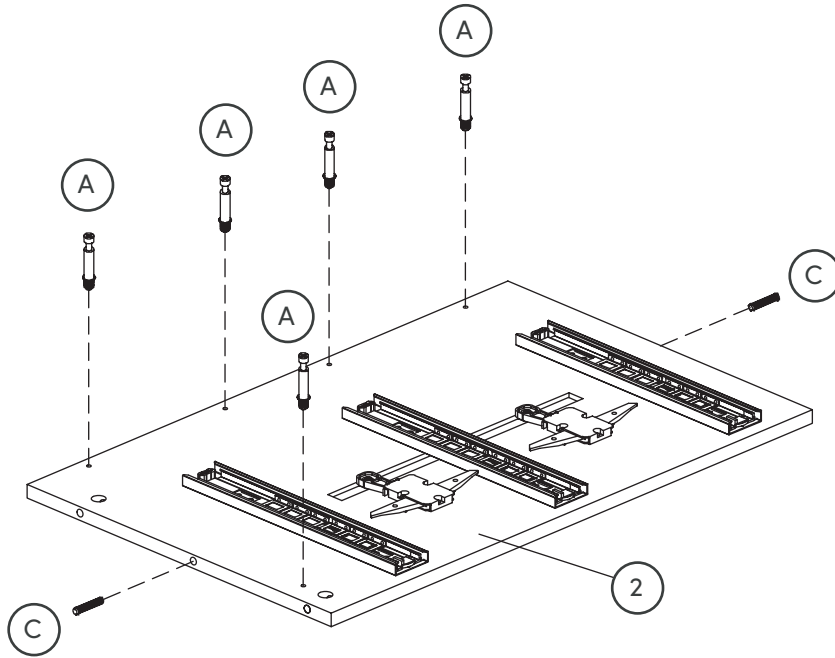
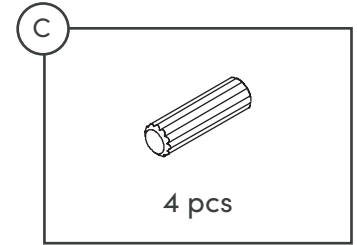
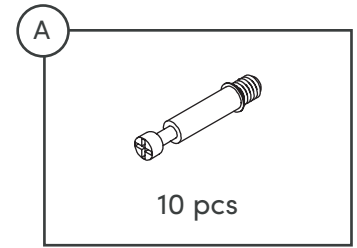
Step 2

Next, use a Phillips screwdriver to insert the Cam Bolts (A) into the Top Panel (1). Then attach the Adjustable Anchor Bracket (L) to the Top Panel (1) using a M4*14mm Screw (K).



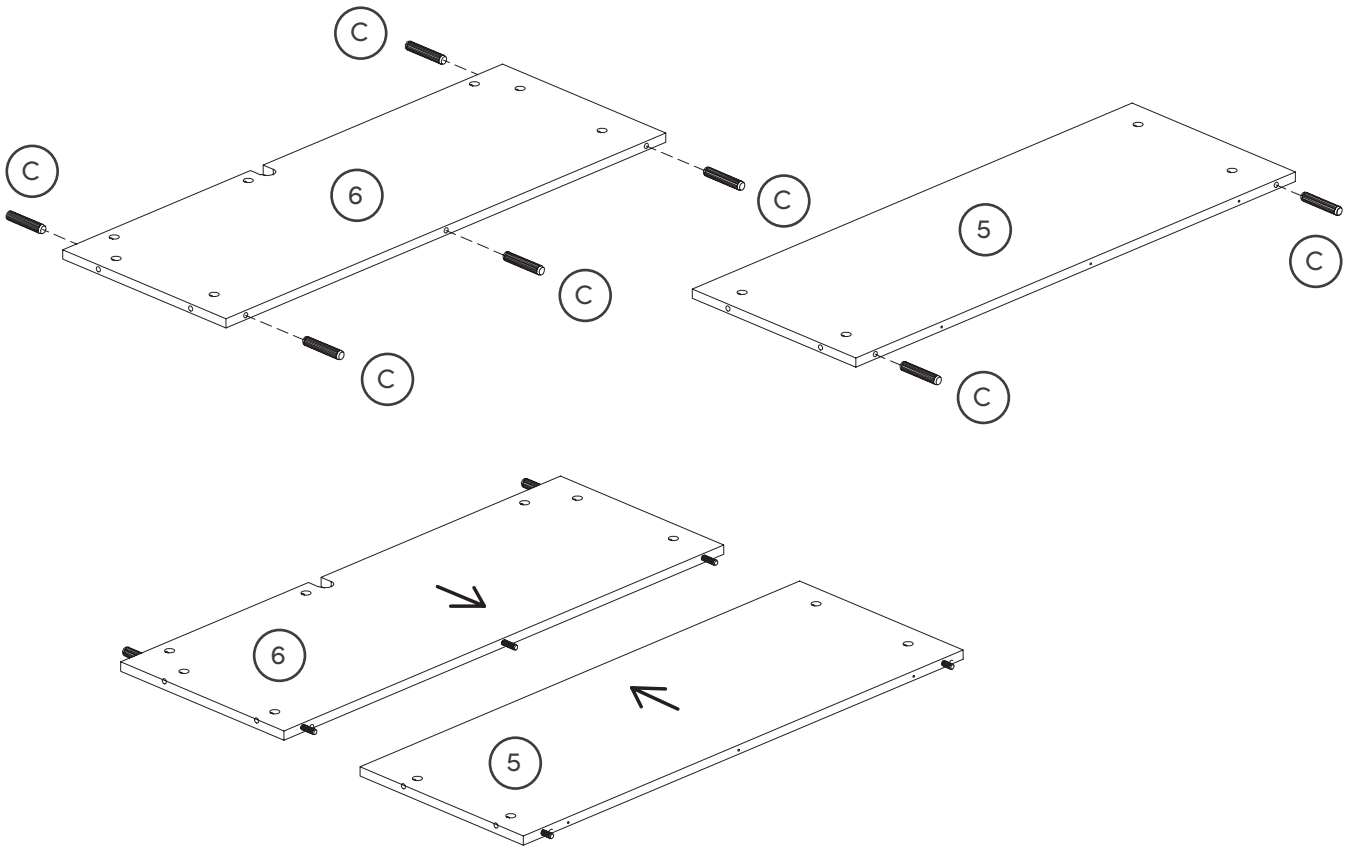
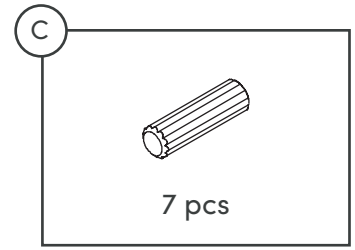
Step 3

Time for more Cam Bolts! Use a Phillips screwdriver to insert the Cam Bolts (A) into the Left Side Panel (2) and Right Side Panel (3). Then insert the Wooden Dowels (C) into the sides of each panel as shown.



Step 4

Now insert the Wooden Dowels (C) into the sides of the Lower Back Panel (5) and Upper Back Panel (6). Then push the Back Panels (5)(6) together as shown.



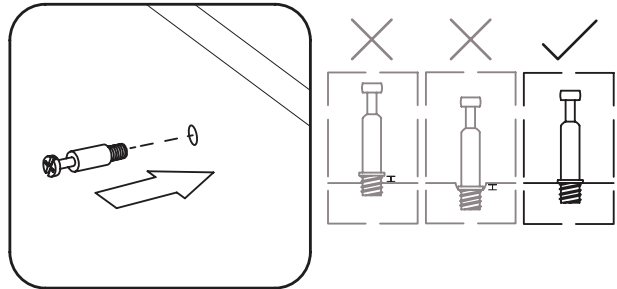
How to use cam locks

Did you know?

Cam locks are used to join two panels together, usually the edge of one to the flat side of another.

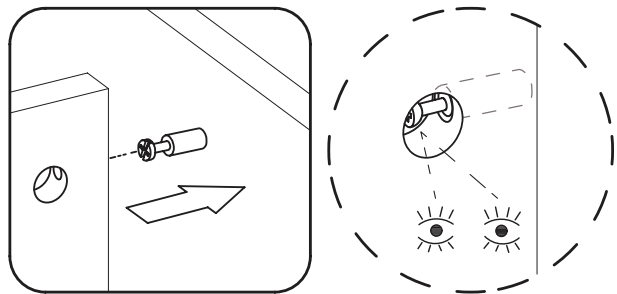
First, your cam bolt (or cam pin) will need to be properly inserted into the flat side of the board.

Important Note: Only tighten the cam bolt until it is secure. Do not over-tighten.



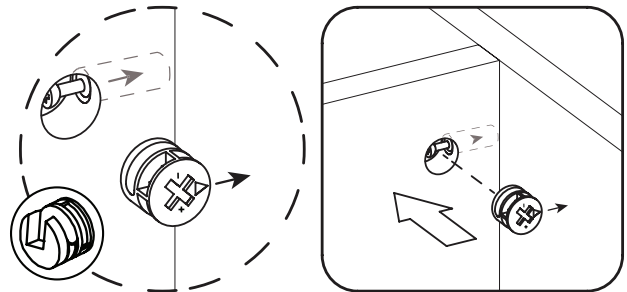
Next, you will fit the proper hole on the edge of the associated joining panel over the cam bolt.

Important Note: When installed properly, the head of the cam bolt will be visible through the larger hole on the side of the joining panel.



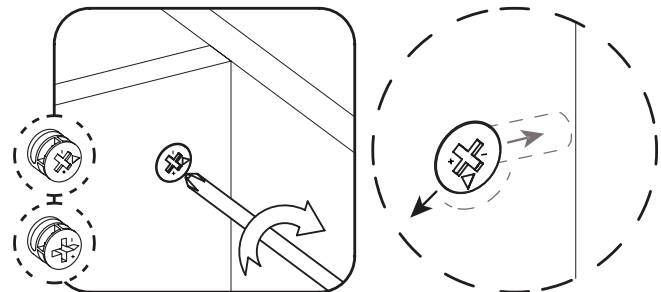
Next, you will notice the cam lock has a “C” shaped back. Commonly, an arrow on the front of the cam lock points in the same direction as the open section on back.

Using these as your cue, insert the cam lock into the large hole so the opening of the “C” fits over the head of the cam bolt.



Using a screwdriver, you will turn the cam lock until it stops, usually between 130° or 180°. You will feel the panels pulling closer until they are secured.

Important Note: Only turn the cam lock until the panels are fully engaged & feel secure. Turning too far may lead to hardware failure.



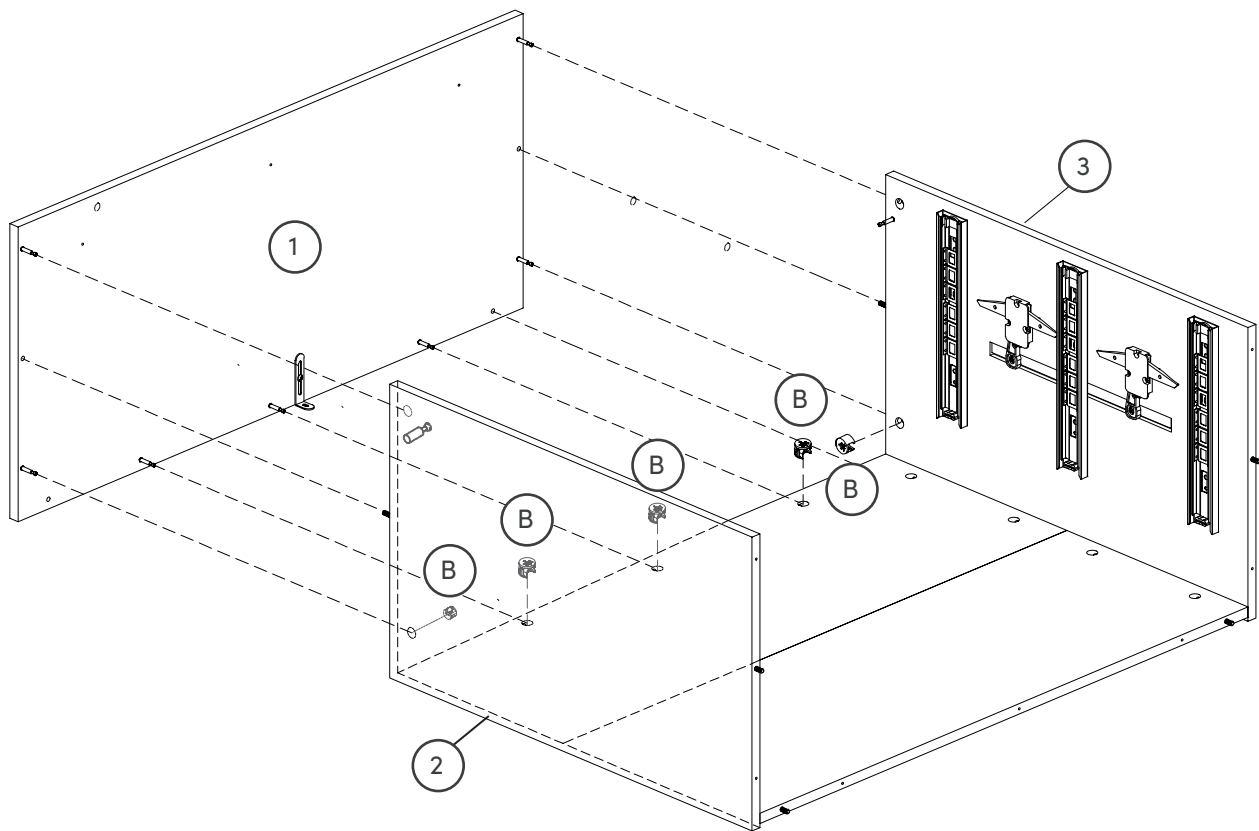
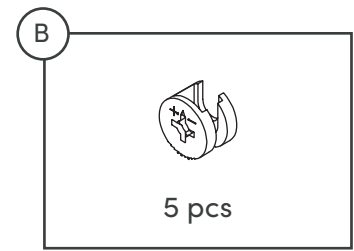
Still having issues?

If a cam lock seems to be spinning in place or is not “catching” or pulling the panels together as expected, first remove the cam lock & try again while making sure that everything is properly positioned & oriented .

If you are still having issues getting things work ing as expected, first remove the cam lock then unscrew the cam bolt slightly (less than 1 complete turn) to see if that helps with the alignment of the cam lock & bolt.

Step 6

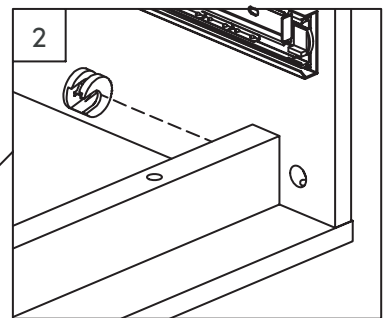
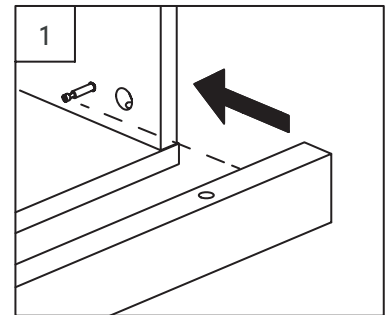
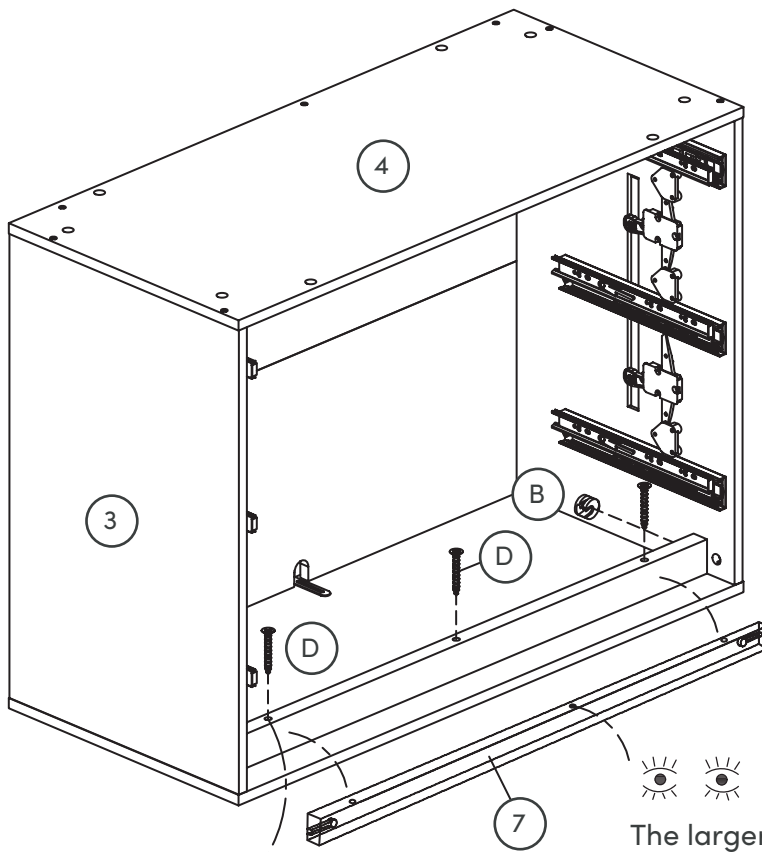
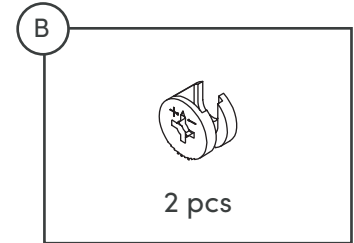
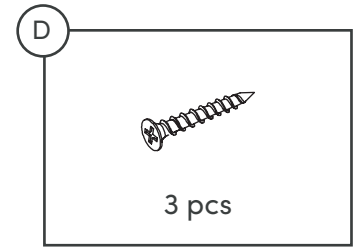
Now attach the Top Panel (1) to the pieces you assembled in Step 5. Secure in place using the Cam Locks (B).



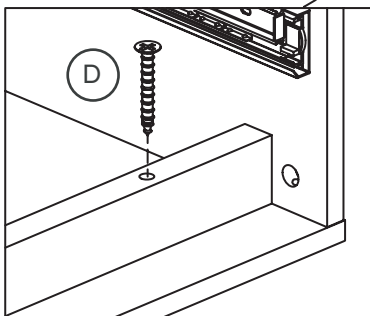
Step 8

You're nearly halfway done! We're so proud of you.

Now attach the Top Stretcher (7) to the cabinet you assembled in Step 7, using the M4*50mm Screws (D) and Cam Locks (B) to secure in place.

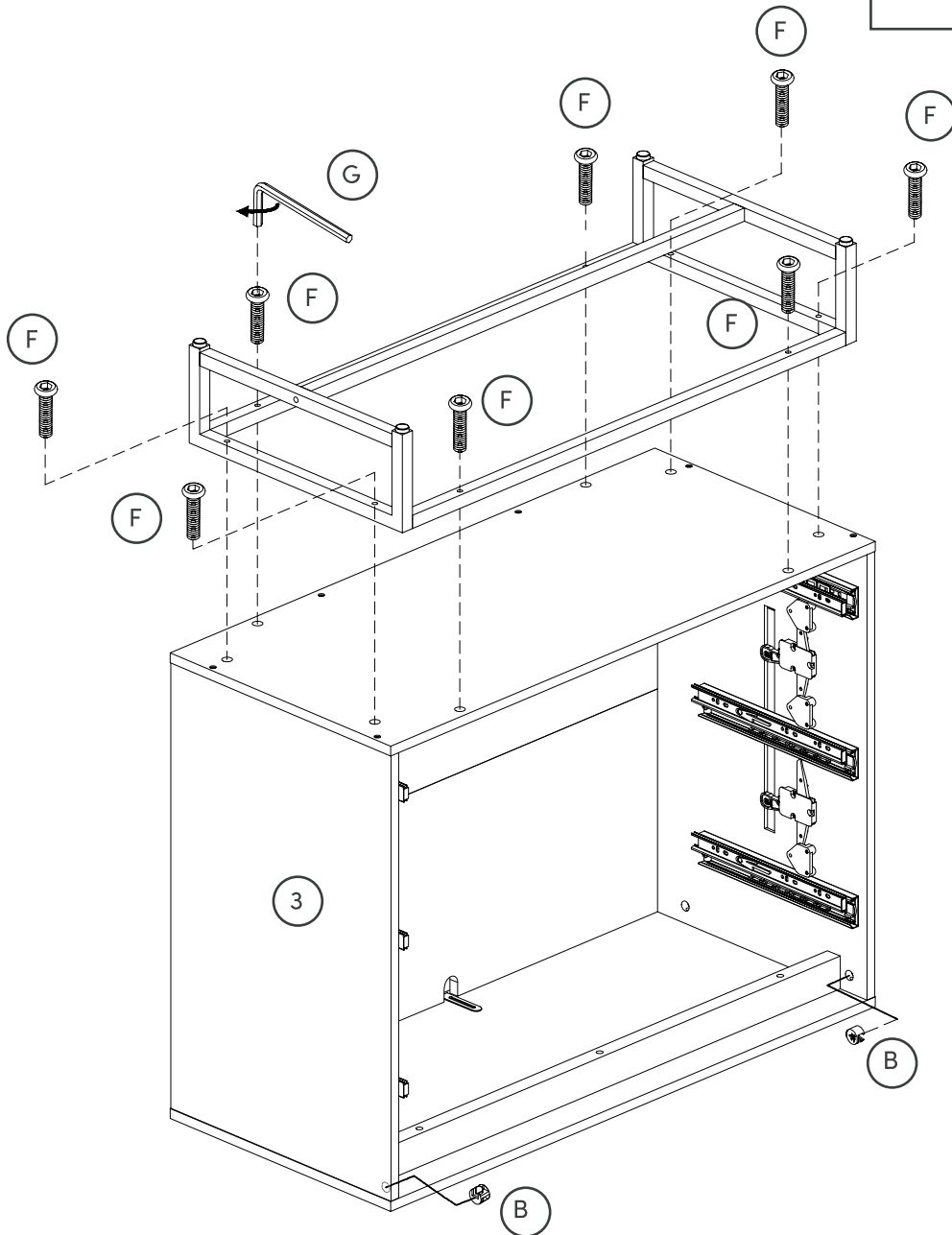
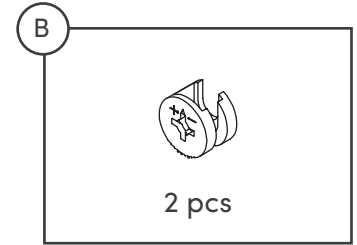
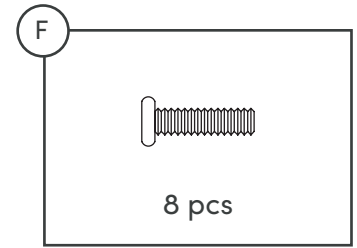


The larger holes should be facing upwards at this point.



Step 9

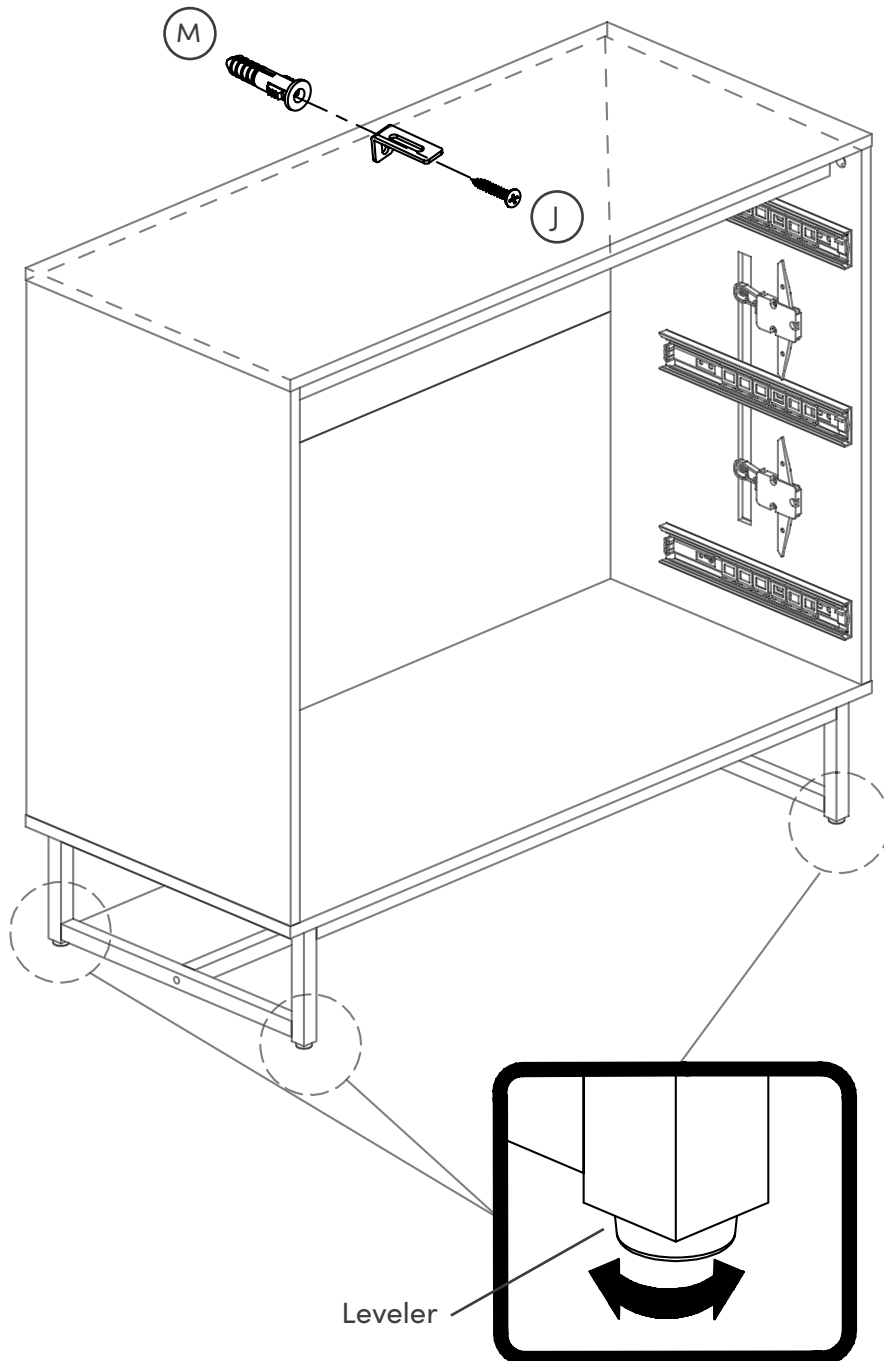
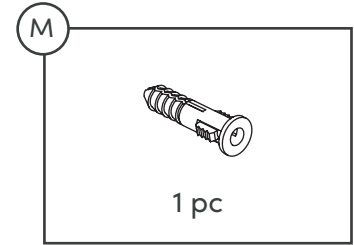
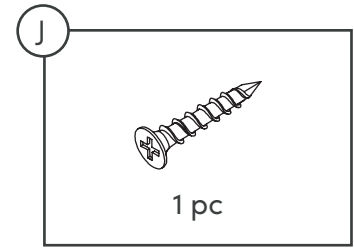
Time to add the feet! Use the 1/4" x 30mm Bolts (F) to secure the feet you assembled in Step 1 to the bottom of the dresser. Use the Allen Key (G) to tighten the bolts.



Step 10

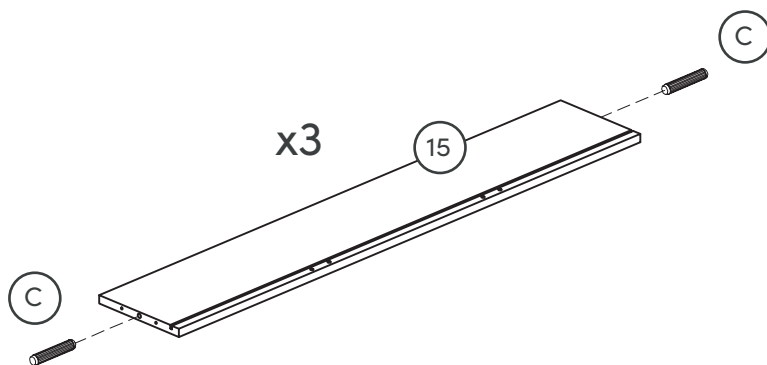
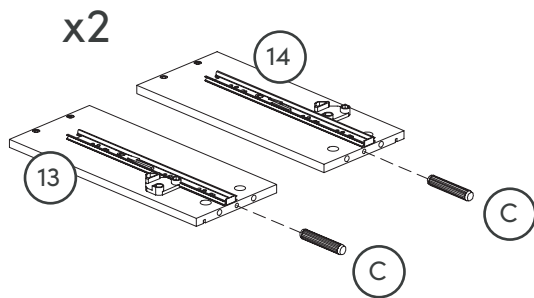
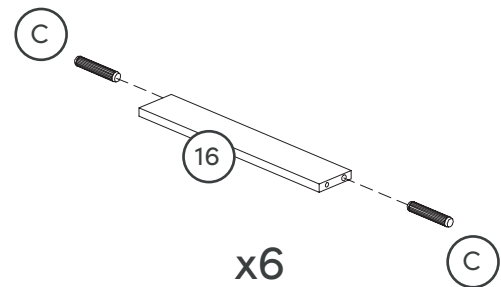
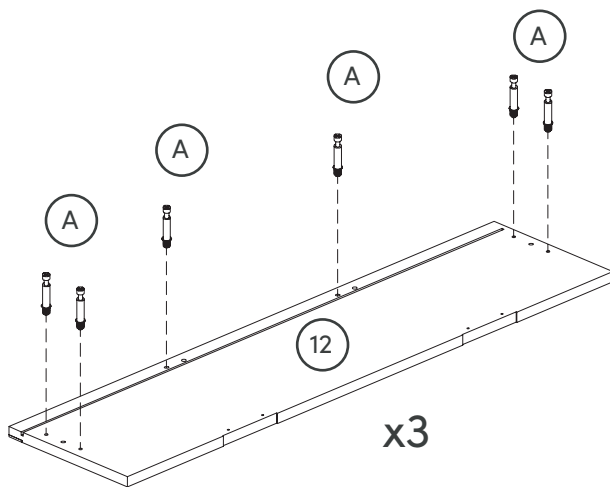
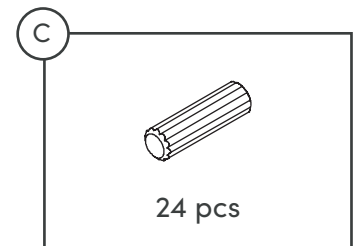
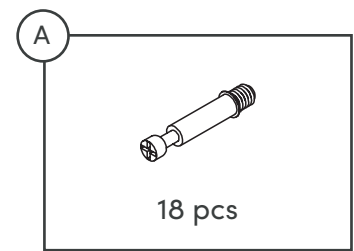
Level the dresser by tightening or loosening the adjustable footpads.

Then secure to the wall using the Plastic Anchor (M) and the M4*35mm Screw (J). We recommend a 1/4" drill bit to drill a pilot hole into your wall first. This helps secure the dresser to your wall to prevent tipping. Safety first!



Step 11

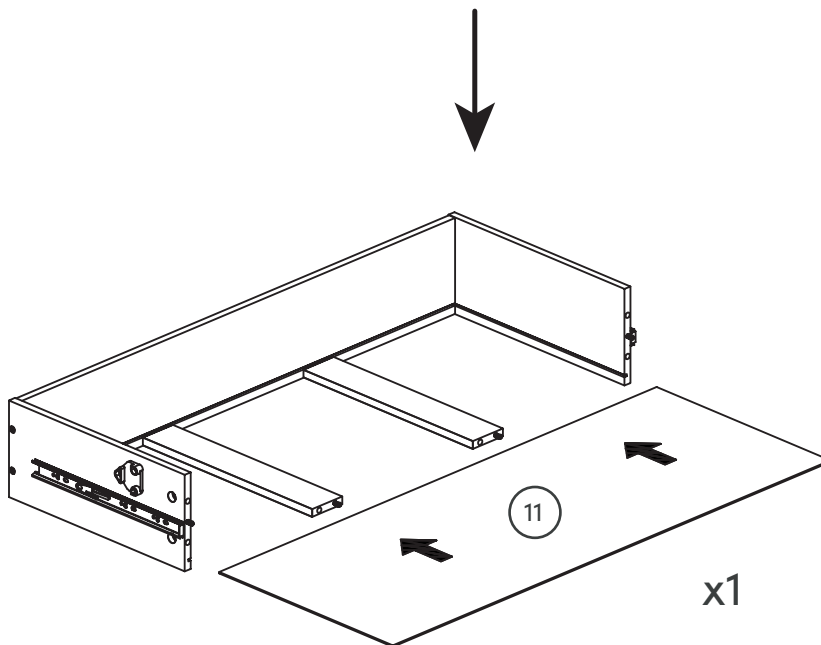
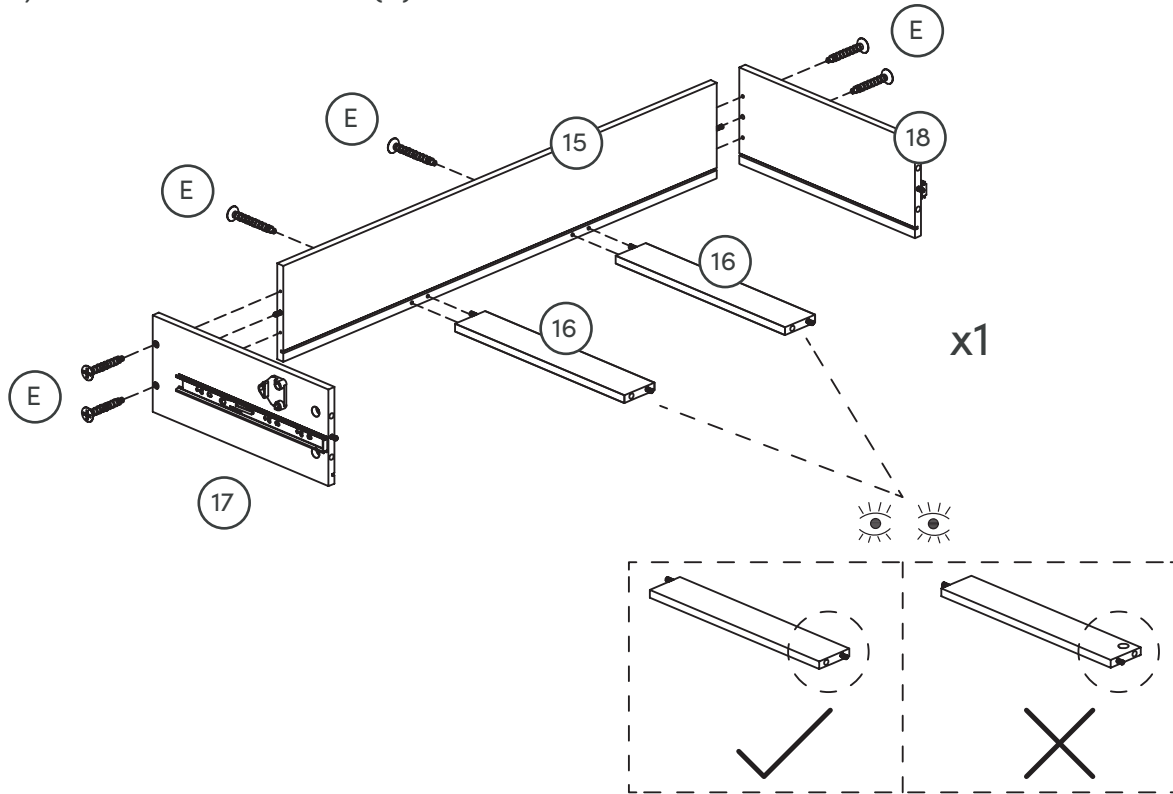
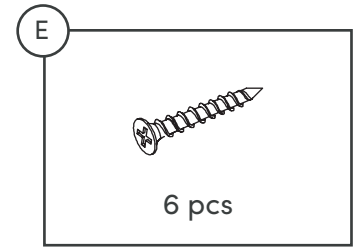
Now let's start prepping the drawers. Insert the Cam Bolts (A) and Wooden Dowels (C) into the Drawer Fronts (12), Drawer Side Bottom Supports (16), Drawer Sides—Left (Top & Middle Drawers) (13), Drawer Sides—Right (Top & Middle Drawers) (14), Drawer Sides—Left (Bottom Drawer) (17), Drawer Sides—Right (Bottom Drawer) (18), and Drawer Backs (15).



Step 12

Time to assemble the drawers! We'll start with the bottom drawer. Attach the Drawer Side—Left (Bottom Drawer) (17), Drawer Backs (15), Drawer Side—Right (Bottom Drawer) (18), and Drawer Side Bottom Supports (16) using the M4*38mm Screws (E).

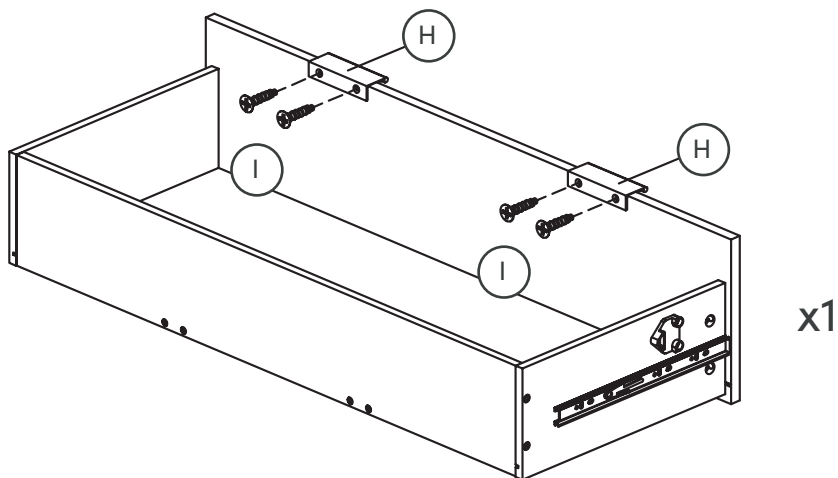
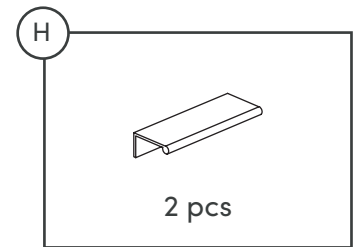
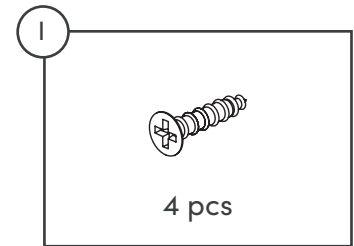
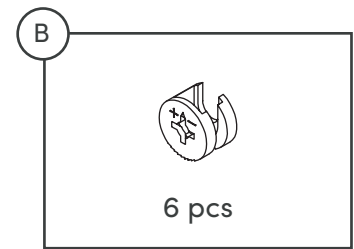
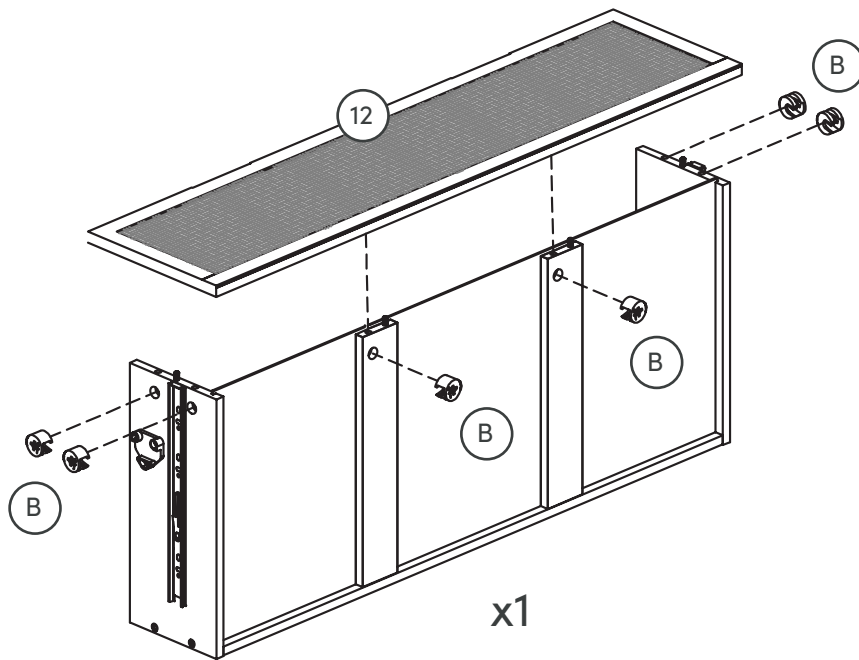
Next, slide the Drawer Bottom (11) into the notches.



Step 13

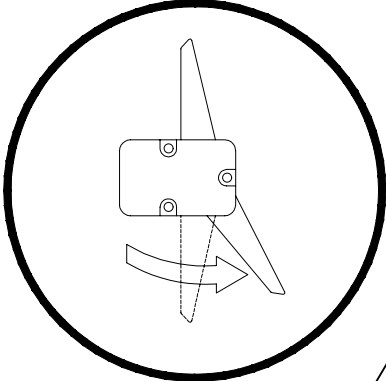
Now we'll add the drawer fronts and handles.
Attach the Drawer Front (12) to the drawer you assembled in Step 12 using the Cam Locks (B).

Next, attach the Handles (H) to the Drawer Front using the M3*12mm Screws (I).



Step 14

Next, insert the bottom drawer into the dresser. As shown below, the lower lever must be pushed forward of the safety stop to allow you to insert the drawer. Grab a friend to make this process easier.

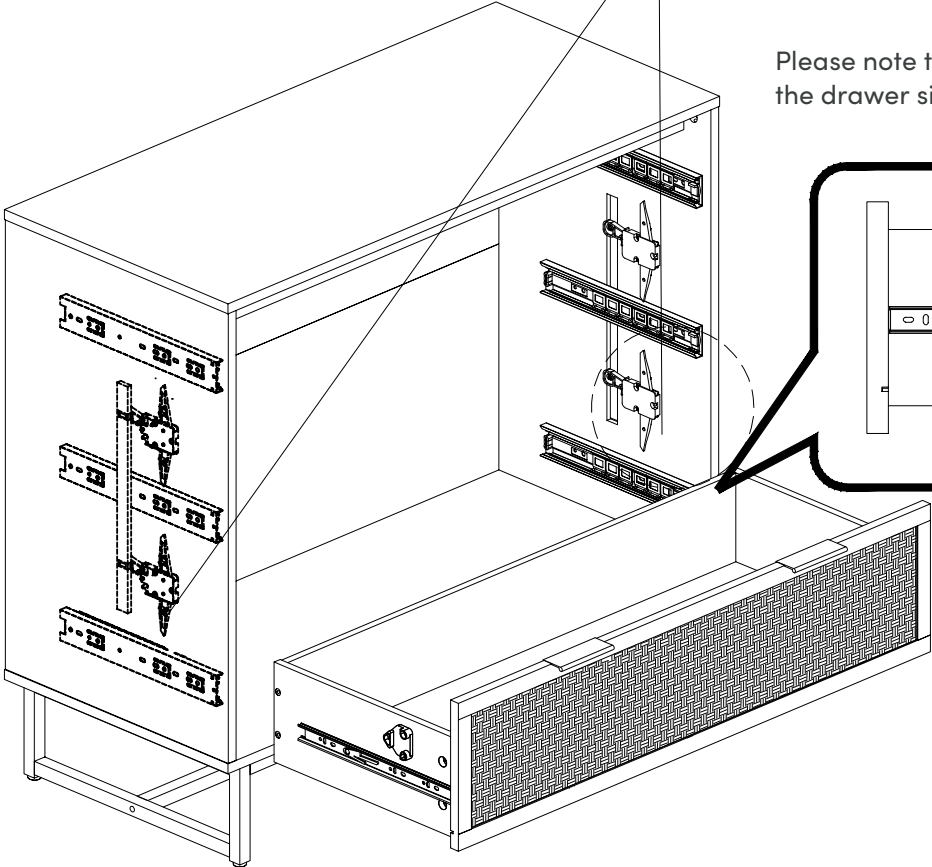
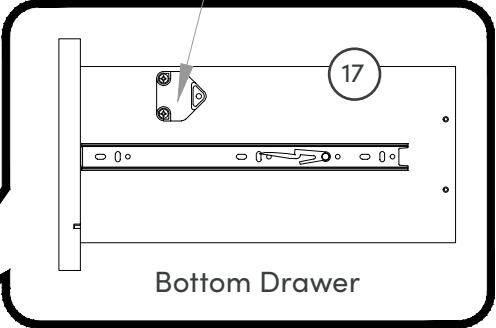


Note: As shown to the left, you must keep the lower lever of the safety stop out when assembling the drawer.



Note: You'll need two people to assemble the drawers, so grab a friend!

Please note the drawer actuator near the drawer side of the upper edge.



1

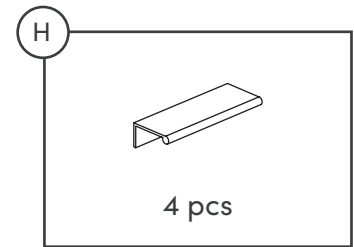
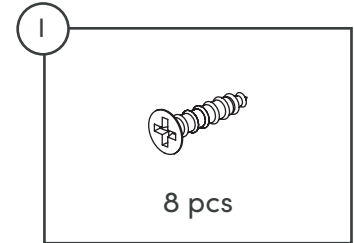
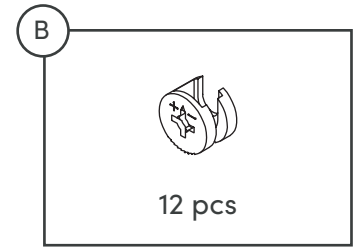
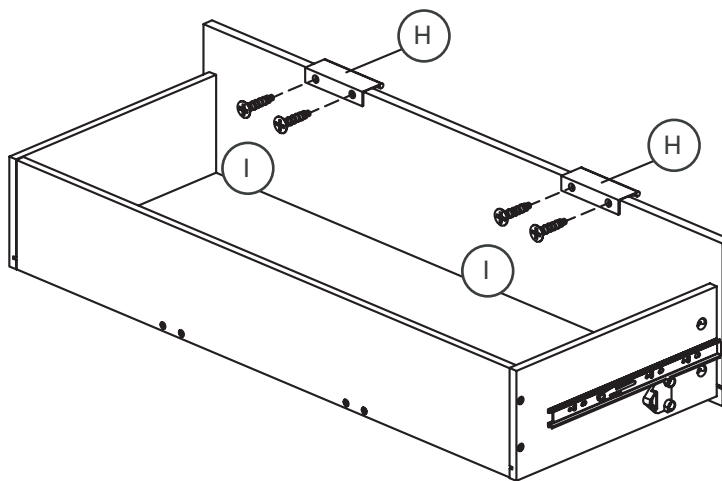
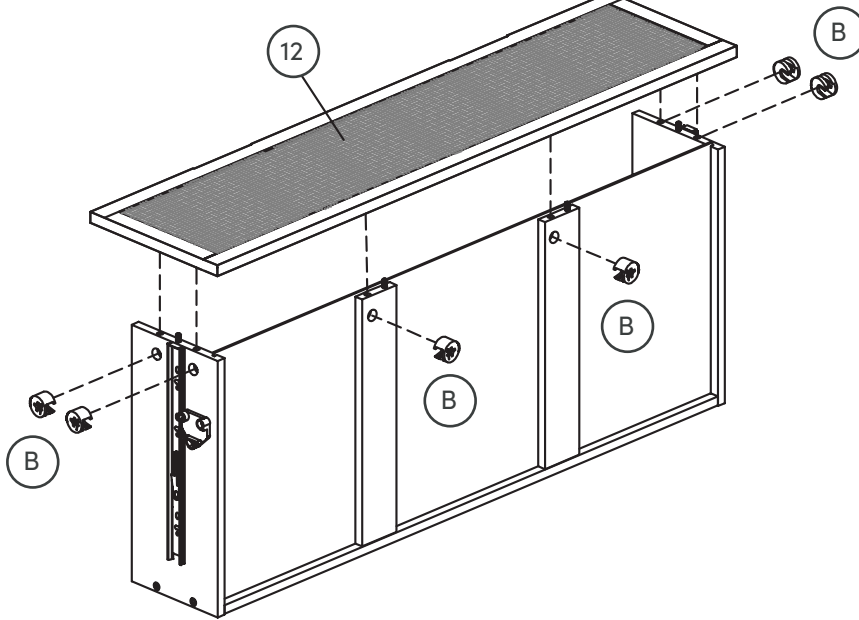
Note: Pull the inner ball bearing slides on each side all the way out until it stops (may be slightly greasy).

2

Step 16

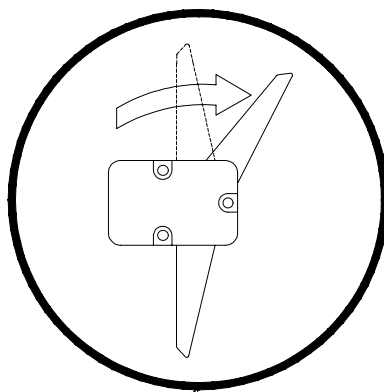
Now attach the Drawer Fronts (12) to the drawers and secure in place using the Cam Locks (B).

Next, attach the Handles (H) to the Drawer Fronts using the M3*12mm Screws (I).



Step 17

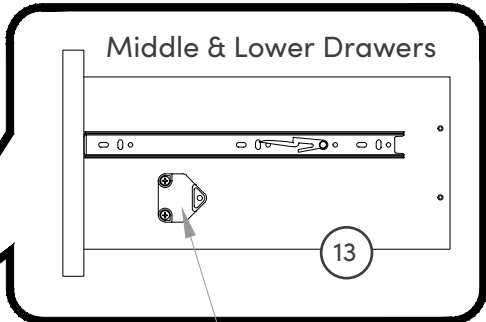
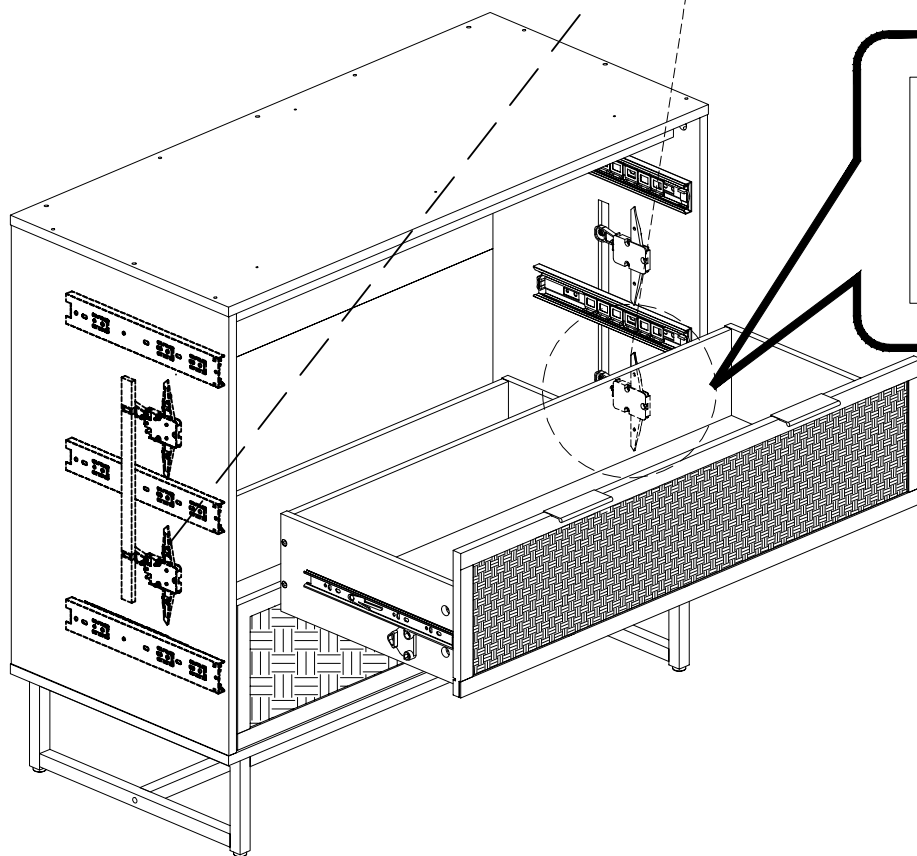
Now follow the same process from Step 14 to insert the remaining middle drawer. As shown below, the lower lever must be pushed forward of the safety stop to allow you to insert the drawer. Grab that friend again to make this process easier.



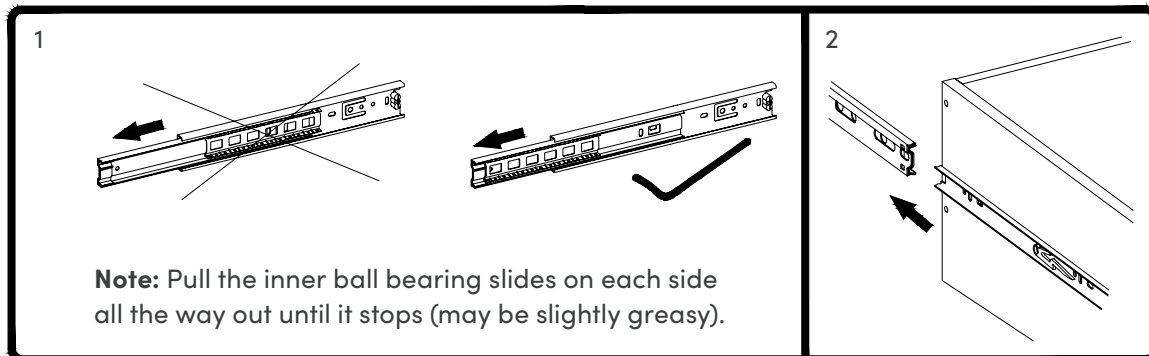
Note: As shown to the left, you must keep the lower lever of the safety stop out when assembling the drawer.



Note: You'll need two people to assemble the drawers, so grab a friend!

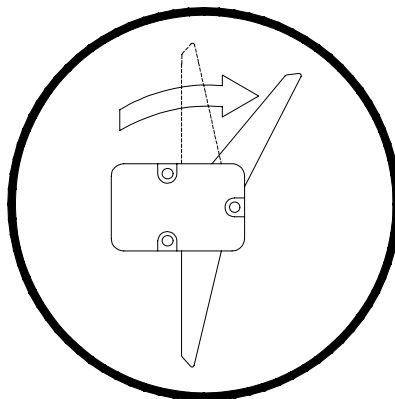


Please note the drawer actuator near the drawer side of the lower edge.



Step 18

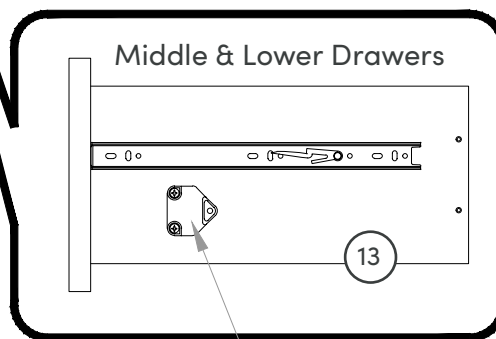
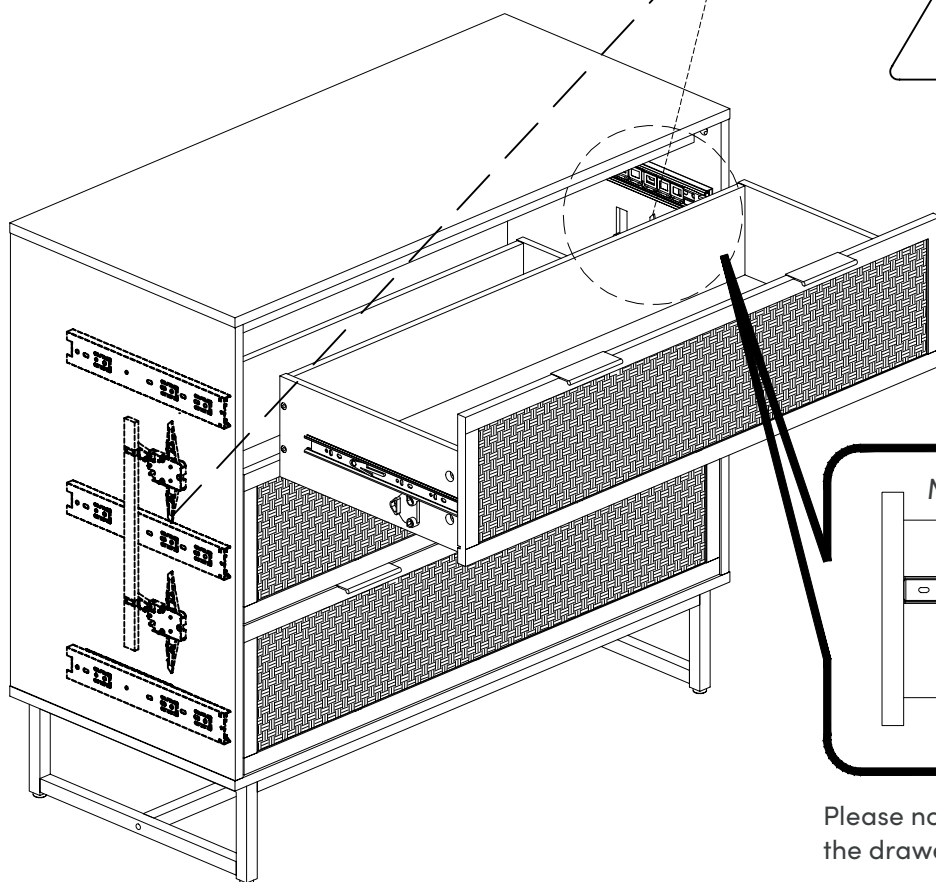
Now follow the same process from Step 14 to insert the remaining upper drawer. As shown below, the lower lever must be pushed forward of the safety stop to allow you to insert the drawer. Grab that friend again to make this process easier.



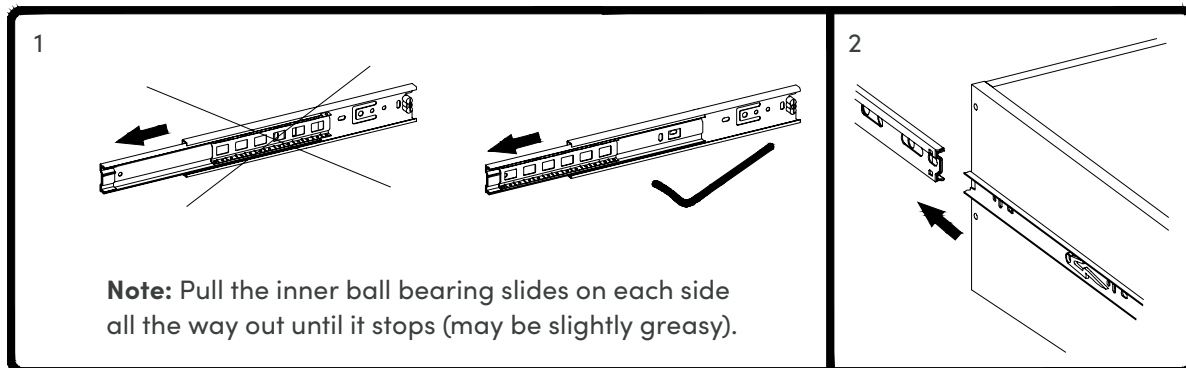
Note: As shown to the left, you must keep the lower lever of the safety stop out when assembling the drawer.



Note: You'll need two people to assemble the drawers, so grab a friend!

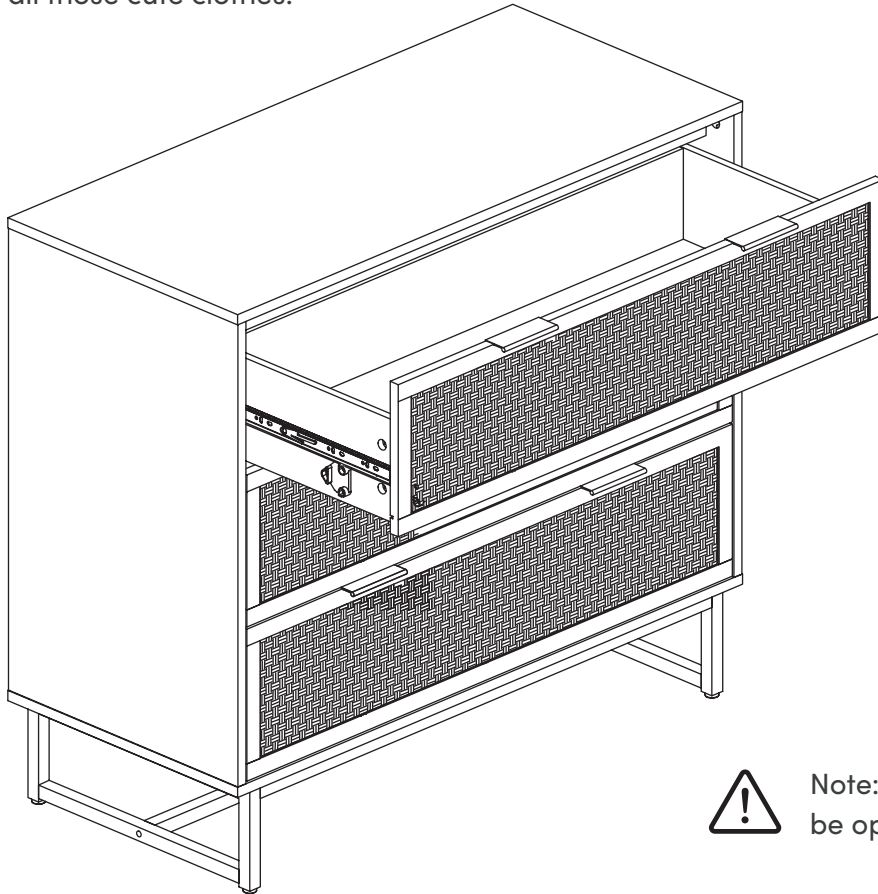


Please note the drawer actuator near the drawer side of the lower edge.



Step 19

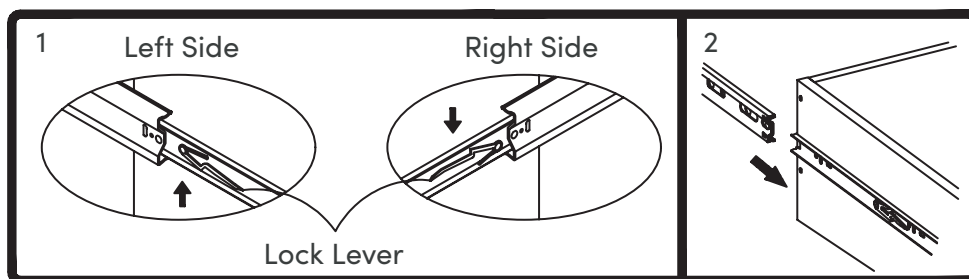
You did it! Time to put away all those cute clothes.



Note: Only one drawer can be opened at a time.

To remove drawer, if needed:

1. Pull the drawer full open so levers are visible.
2. Push up on left side lever and down on right side lever.
3. Hold levers in place while pulling the drawer toward you.



Warning: Risk of injury to persons—do not place a television on this furniture. This furniture is not approved for use with a television.

No heartburn, when we handle the return

Give us a call **1-866-619-1004** or shoot us a message at **help@nathanjames.com** we will issue you a free replacement with **zero hassle**.

Our way



Give us a call



Replacement



You

Their way



Re-package item



Schedule pick up



Track package



Replacement



You

We really don't want you to go through the hassle of re-packaging your item and sending it back, because let's be honest...nobody has time for that.

Safety first, fun later

We want your product to last as long as possible, so we recommend that you tighten the screws 2 weeks after assembly and for added safety check the tightness of all screws every 2 months.

For proper care and treatment, please check our website at NathanJames.com/products

Safe use of this product starts with you.

Use this product responsibly with the primary concern for your safety. Follow assembly instructions carefully and inspect product upon receipt and each use.

Nathan James and its parent companies cannot be held legally responsible for any injuries or death resulted from failure to follow instructions or improper use of this product.

Do not modify the structure of this product in any way.

Our products have been tested to meet specific safety measures as they were originally intended to be sold. Any modifications will present the risk of creating significant safety issues which NJ will not be responsible for.

Proper use

- DO NOT** use for commercial purposes
- DO NOT** frolic on dresser
- DO NOT** use dresser as foot stool
- DO NOT** leave spilled liquid on or in dresser
- DO NOT** use dresser if damaged
- DO NOT** make temporary repairs
- DO NOT** use outdoors

We are only in business if you're happy

For starters, thanks for being you.

☎ Toll-free at 1-866-619-1004

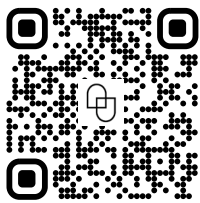
✉ Help@nathanjames.com

🌐 NathanJames.com/help

We do our best to ensure your furniture arrives without any problems, but occasionally mistakes happen—as humans we are imperfect beings. In the event that a part is damaged or missing, we will be more than happy to provide you with replacement part(s) for free.

Warranty

This product comes with a lifetime warranty from the date of purchase. Please use your phone to scan the QR code to register your product or visit <https://goo.gl/i9dk3q>



Did we do alright? Please spread the love!

If you are happy with your product, tell your friends and family about us or even better leave us a review online. Spreading the word gives us the opportunity to make more people happy and keep our prices low for your next purchase.

Brooklyn Burden

Founder, Nathan James