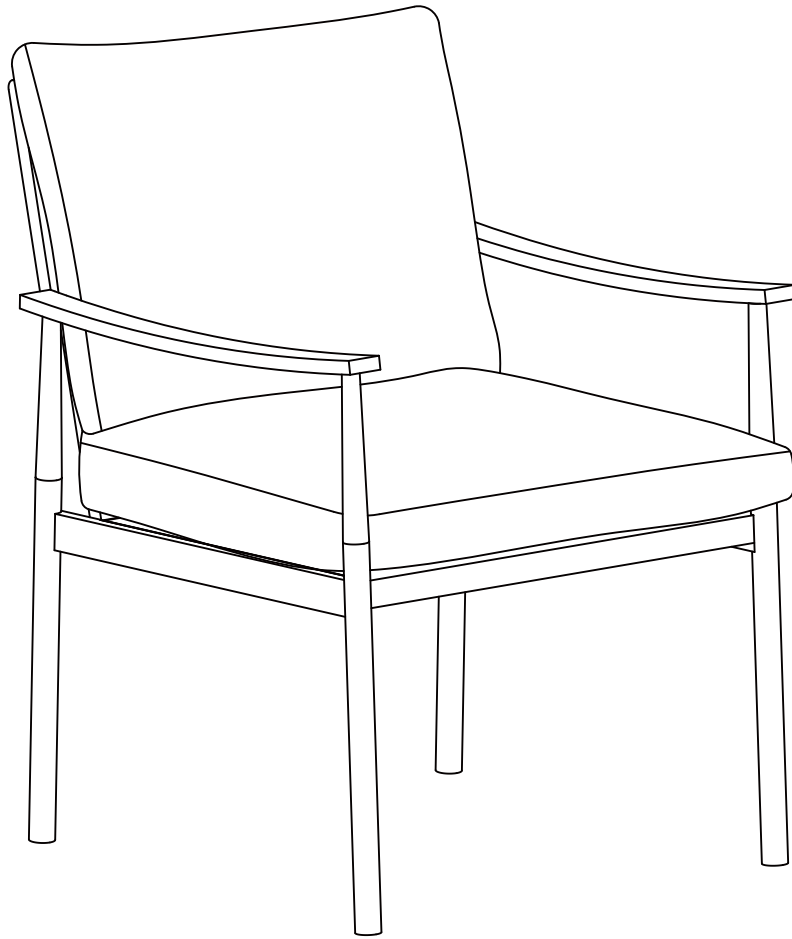


OWNER'S MANUAL

Patio Dining Chair



Contact Us

If you have any questions,
Please contact customer service.

Email: service@brzpatio.com

Scan the QR code to watch the installation video.



SAFETY PRECAUTIONS

WARNING



Please read and understand this entire manual before attempting to assemble or install this product.



Compare the parts in the box with those on the parts list provided - make sure that none are missing.



Some parts may have sharp edges. Please wear protective gloves when assembling or installing this product.



Choose and measure the location where you intend to place your gazebo - make sure your location is large enough. Choose a large assembly area where you can lay out and pre-assemble all parts for the gazebo.



Children and pets should be kept from your assembly area if possible. Supervise children and pets if they are in the assembly area.



Check all bolts for tightness before use, and periodically check and tighten bolts as necessary.

General Notes:

- ★ This item is heavy. Please handle it with care. Four or more people are required for this assembly.
 - ★ You will need these additional tools: a ladder and an adjustable wrench.
 - ★ Once a unit has been pre-assembled in each step, please set it aside until further instructions.
 - ★ The assembly process must be completed on a solid surface in strict accordance with the requirements of the instructions.
 - ★ You do not need to remove the gazebo in severe weather like rain and snow. However, please clear the roof in time to prevent damage to the frame and iron roof due to heavy snow or heavy rain.
 - ★ We care about your experience. Please feel free to contact us if you have any issues or comments. We will try to offer you efficient solutions ASAP.
-

WARRANTY COVERAGE REQUIREMENTS:

- ★ Pictures of the damaged parts.
 - ★ The order number of your product.
 - ★ Please gather all of this information BEFORE you contact us.
 - ★ Do not use this item in a way inconsistent with the manufacturer's instructions, as this could void the product warranty.
-

Email:
service@brzpatio.com

PRODUCT WARRANTY INSTRUCTION



Free Warranty Period:

The free warranty period starts from the product receipt date and lasts one year.



Coverage during the Free Warranty Period:

1. If any components of the purchased product are damaged due to non-human-induced reasons natural wear and tear excluded , corresponding new parts will be replaced free of charge.
2. If the entire purchased product is damaged due to non-human -induced reasons natural wear and tear excluded and cannot be further used, corresponding parts or a brand-new product will be replaced free of charge.



Coverage after the Free Warranty Period:

After the warranty period expires, replacement components will be provided to customers at cost price for continued service.



Additional Services:

After purchasing the product, customers can consult our staff for any product-related inquiries.



Contact Email :

service@brzpatio.com



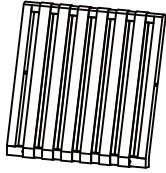
Contact Phone :

9144101739

ACCESSORIES DISPLAY

A

Back



1PC

B

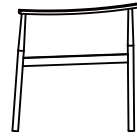
Seat



1PC

C

Left Arm



1PC

D

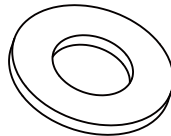
Right Arm



1PC

E

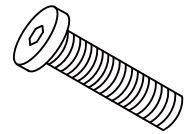
Washer



10PCS

F

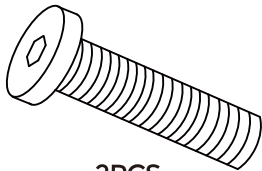
BOLT M6x32



8PCS

G

BOLT M6x45



2PCS

H

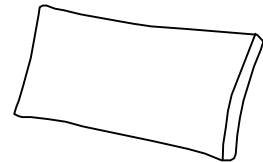
Wrench



1PC

I

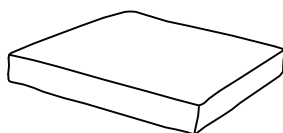
Back Cushion



1PC

J

Seat Cushion

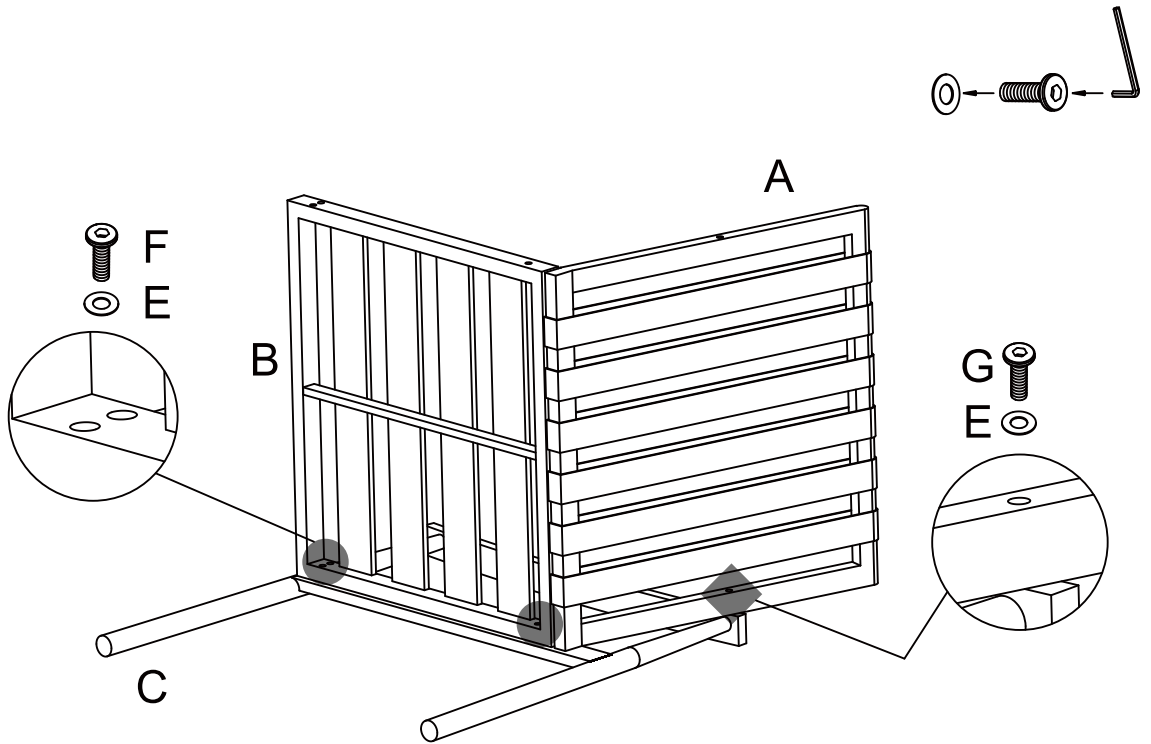
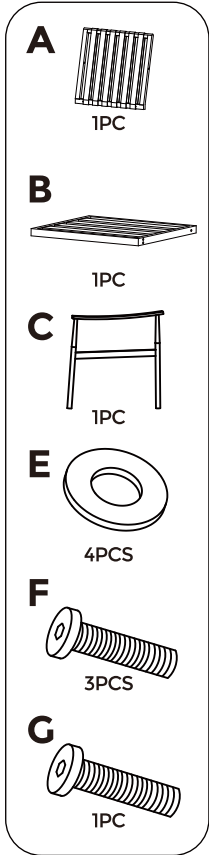


1PCS

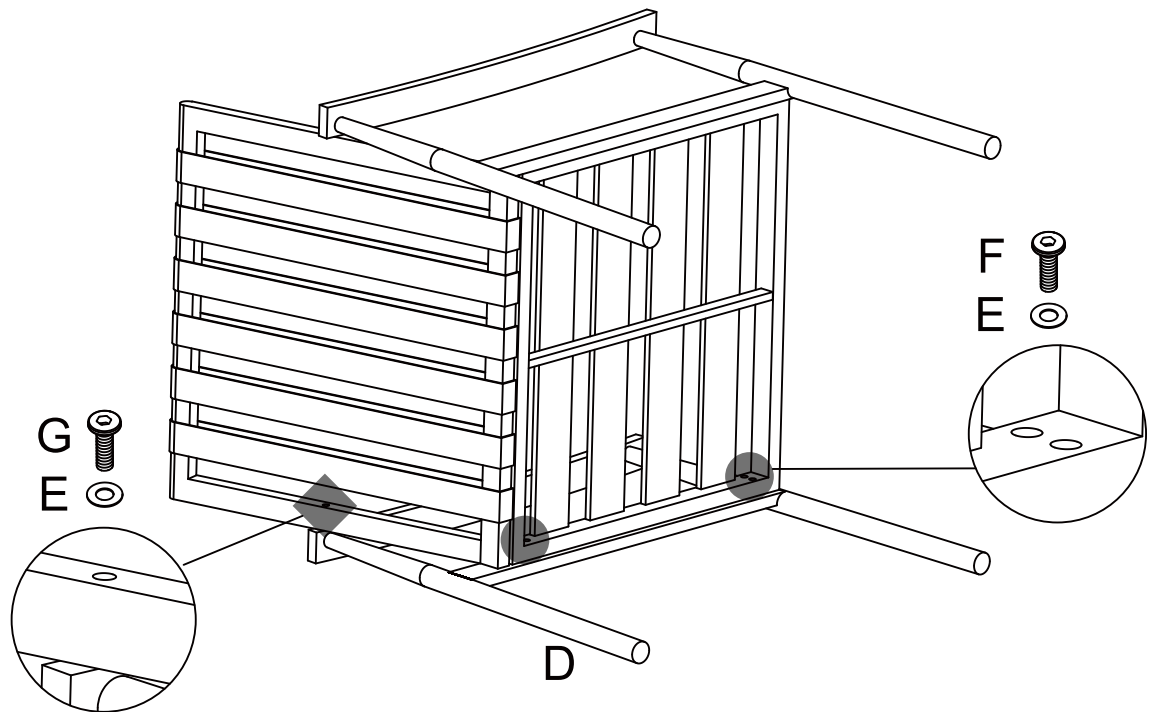
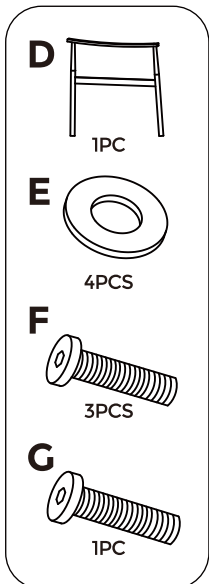
Email:
service@brzpatio.com

PRODUCT ASSEMBLY

STEP 1



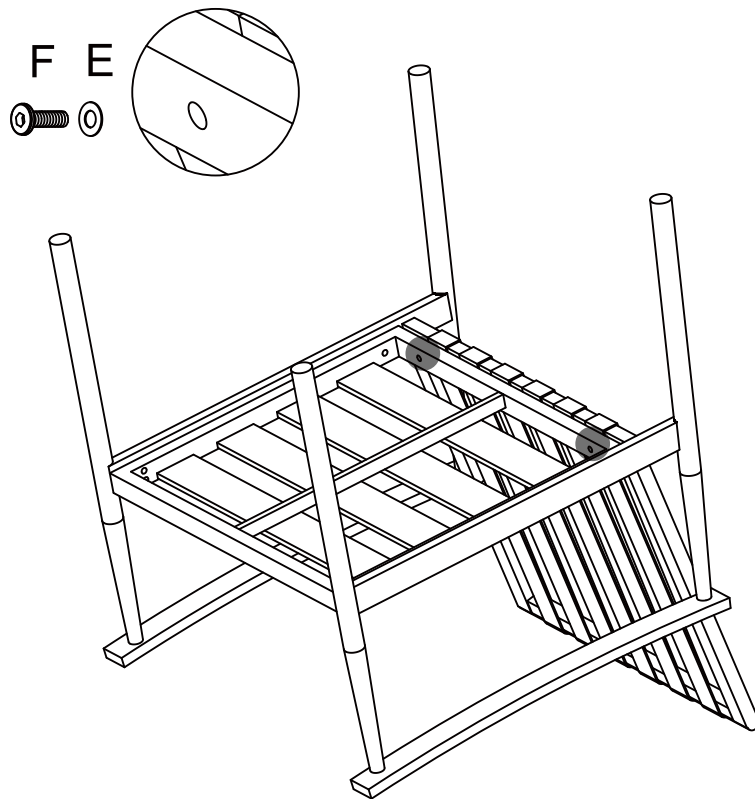
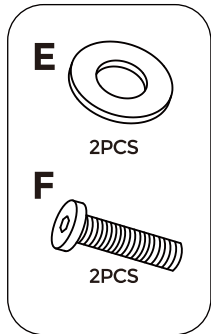
STEP 2



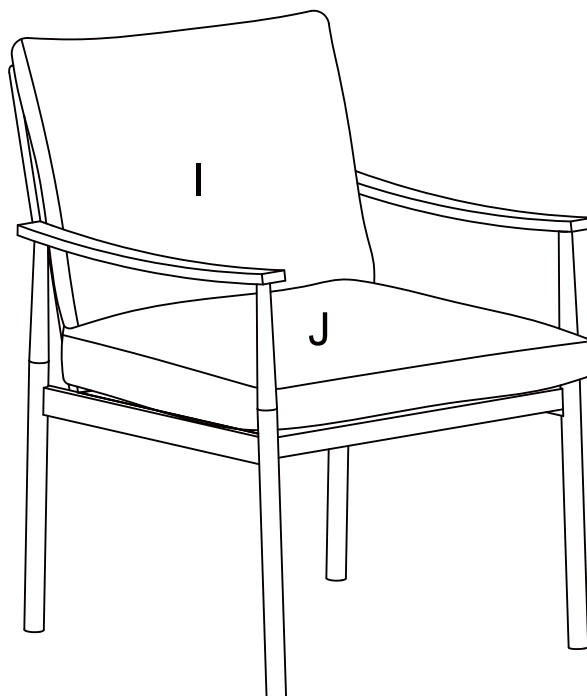
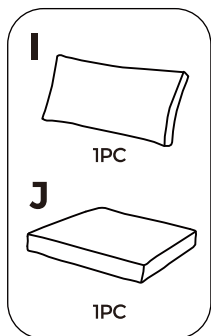
Email:
service@brzpatio.com

PRODUCT ASSEMBLY

STEP 3



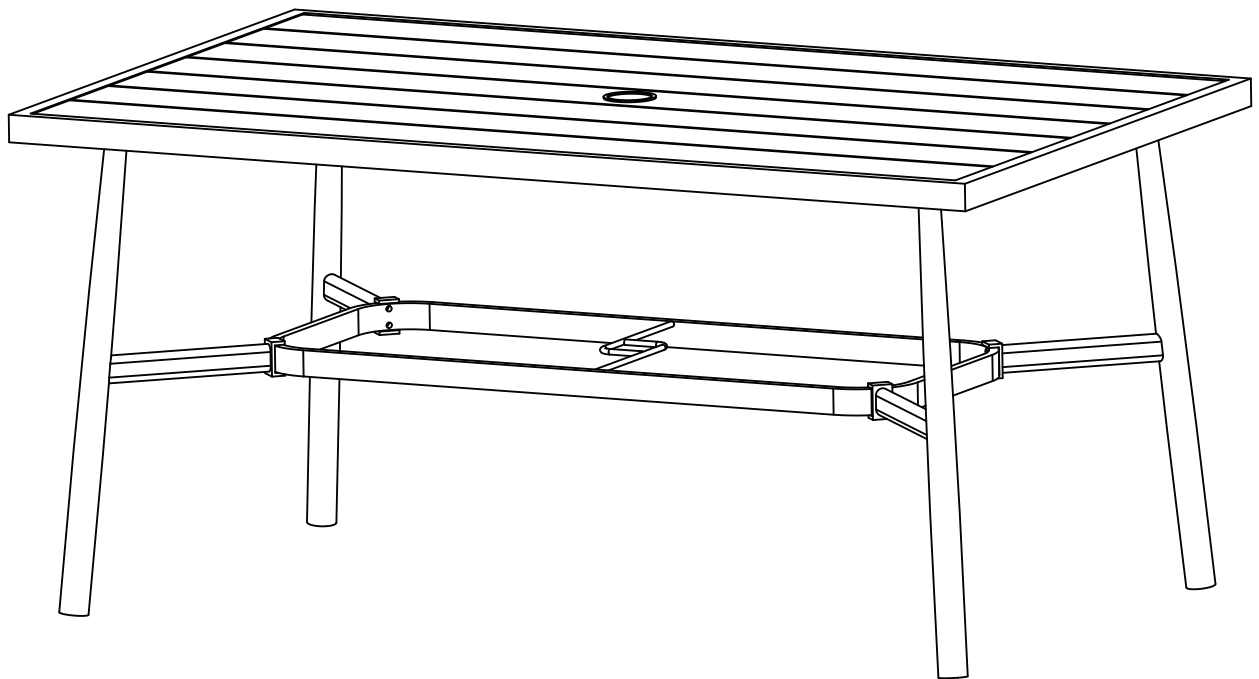
STEP 4



Email:
service@brzpatio.com

OWNER'S MANUAL

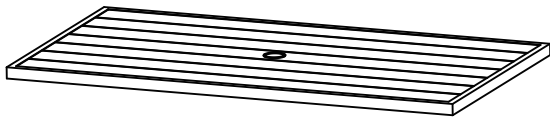
Patio Dining Table



ACCESSORIES DISPLAY

A

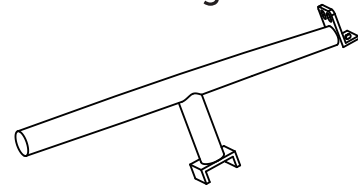
Top



1PC

B

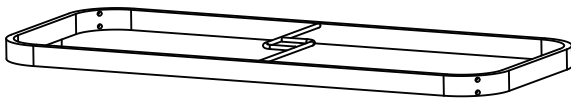
Leg



4PCS

C

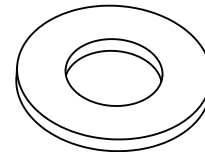
Frame



1PC

D

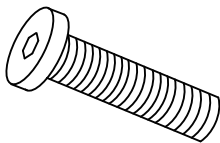
Washer



20PCS

E

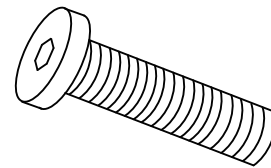
Bolt m6x30



8PCS

F

Bolt m6x20



12PCS

G

Wrench

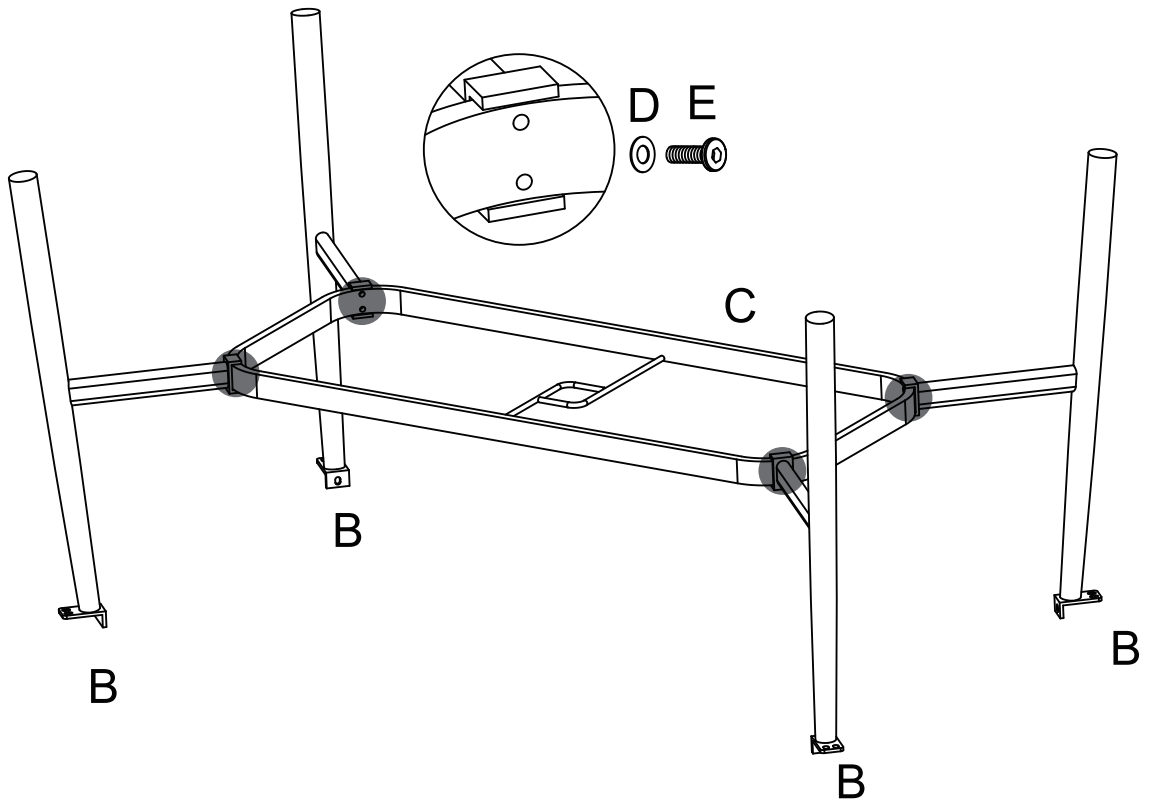
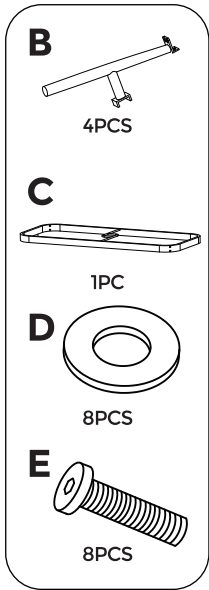


1PC

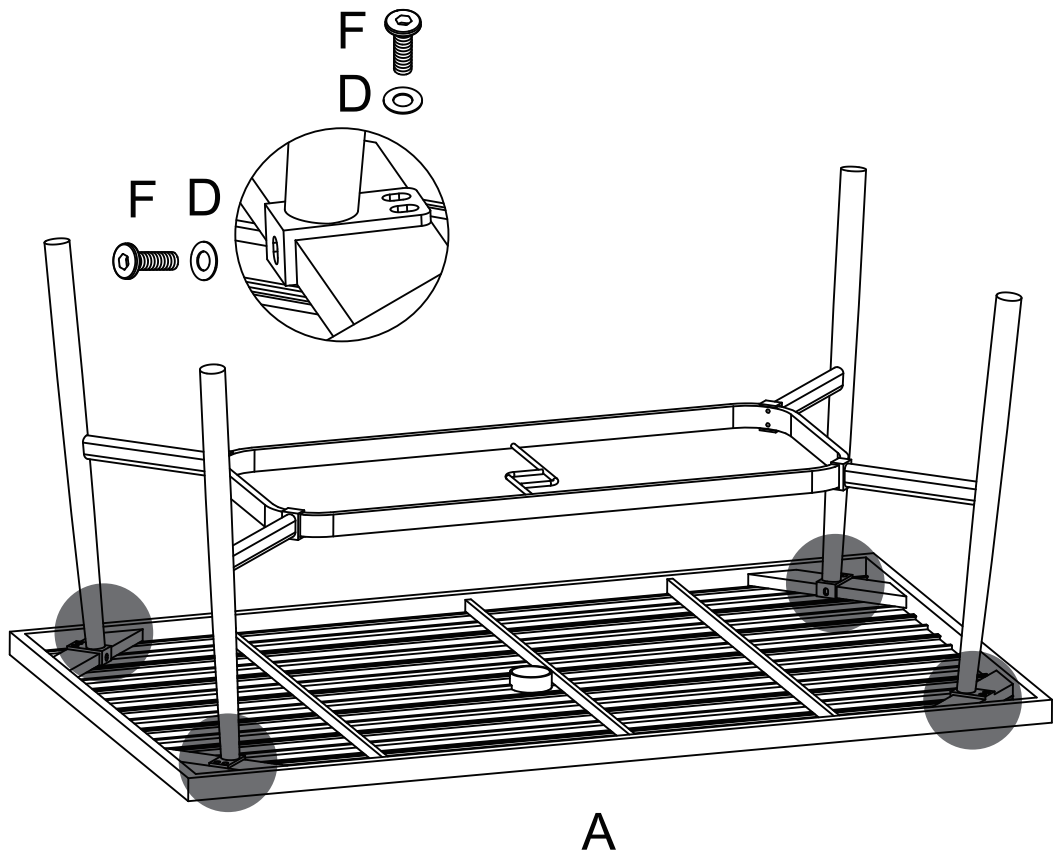
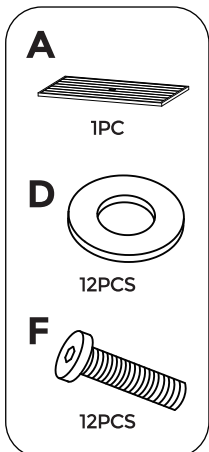
Email:
service@brzpatio.com

PRODUCT ASSEMBLY

STEP 1



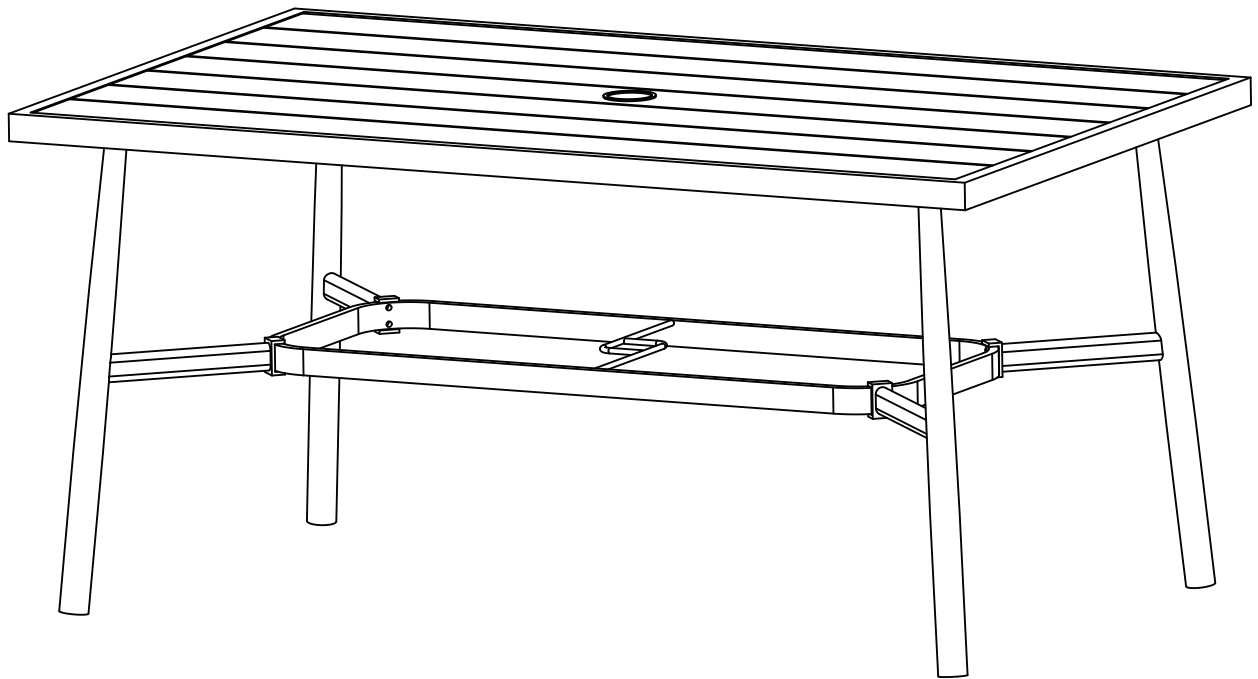
STEP 2



Email:
service@brzpatio.com

PRODUCT ASSEMBLY

COMPLETE



Email:
service@brzpatio.com