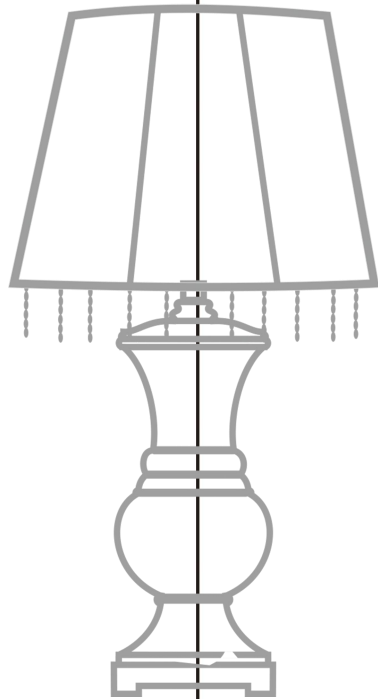


T258

---

INSTRUCTION MANUAL



4 MODERN  
4 HOME

MADE IN CHINA

Dear Customer:

Thank you for choosing 4modernhome! We appreciate your business. Should you have **any questions** or encounter **any issues**, please don't hesitate to contact us. You can reach us via email at **support@4modernhome.com** or by **calling 469-312-6428**. Our team is dedicated to ensuring your complete **satisfaction** with your purchase. We value your feedback, as it helps future customers in making informed decisions. We encourage you to share your experience by leaving a brief product review on the platform where you made the purchase. Once again, thank you for choosing 4modernhome!

Best regards,

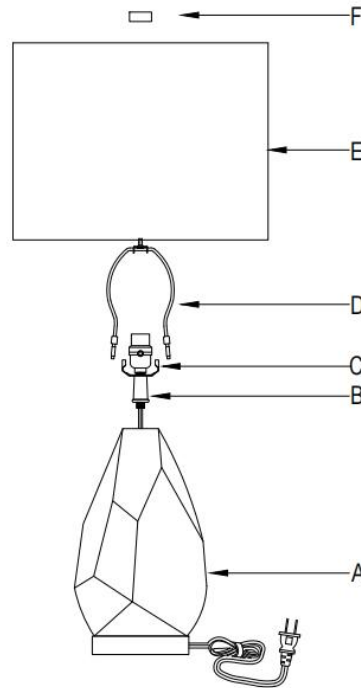
**[4Modernhome/Support Team]**

Warning: If any special control devices are used with this fixture, follow the instructions carefully to assure full compliance with N.E.C. requirements. If there are any questions, contact a qualified electric contractor.

Warning: California Residents Proposition 65  
This product contains lead, a chemical known to the state of California to cause cancer and birth defects or other reproductive harm. Do not place the product in your mouth. Wash your hands after handling this product.

Caution: It is highly recommended to get an electrician to install this light. Please make sure to turn the electricity off at the main circuit breaker before beginning installation. All glass is fragile. Use care when handling glass component(s) and/or lamp(s).

Applicable bulb type:  
A19,A60,T45,ST58...(Excluding bulb)



1. Unpack all parts from cartons carefully.
2. Carefully pull-out excess power cord from the lamp base while assembling to prevent the cord from becoming twisted.
3. Tighten the lamp socket(B) into the body (A) until tight.
4. Place the harp(D) onto the saddle(C).
5. Place the shade(E) onto the harp(D).
6. Tighten the finial(F) into the harp (D) until tight.

**CAUTION** : Risk of fire



Please read all instruction carefully. Before you proceed to install, make sure that the power supply is turned off and remains off until installation is completed.

## PARTS INCLUDED

Code	Part Description	QTY
A	Body	1
B	Lamp socket	1
C	Saddle	1
D	Harp	1
E	Shade	1
F	Finial	1