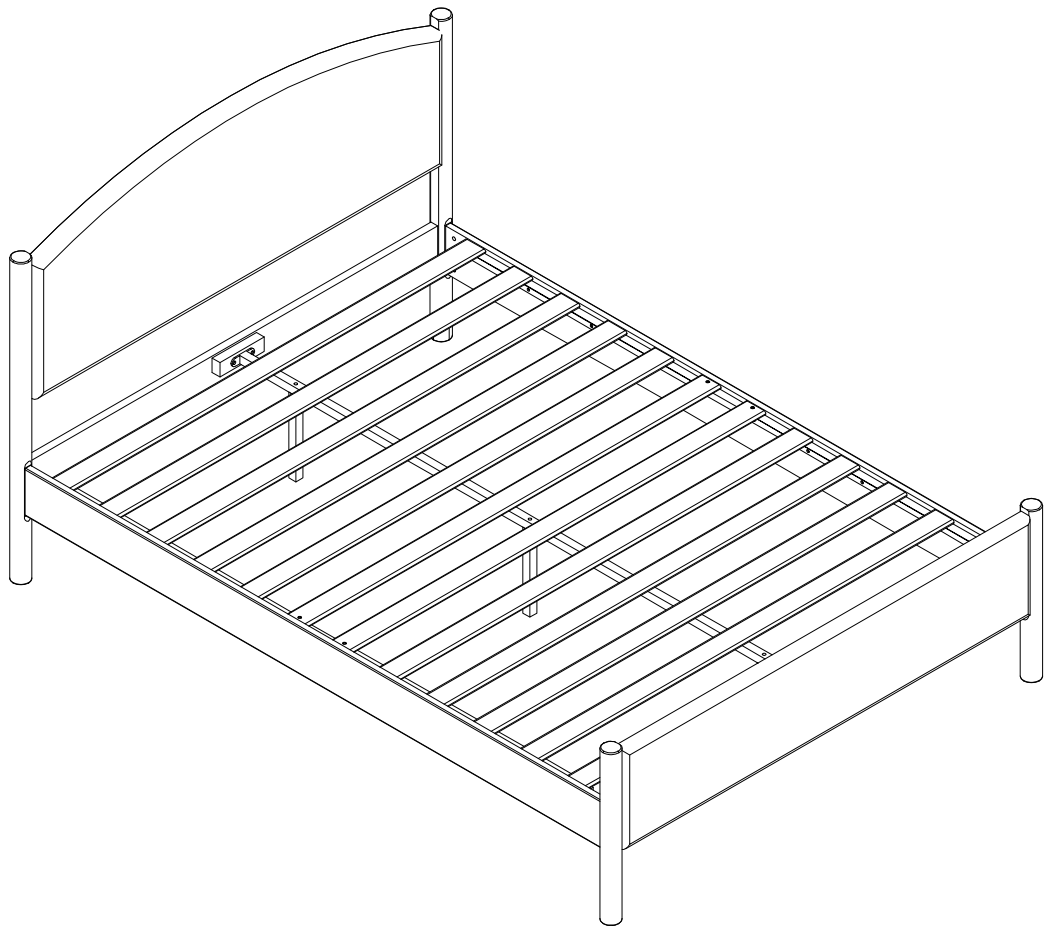
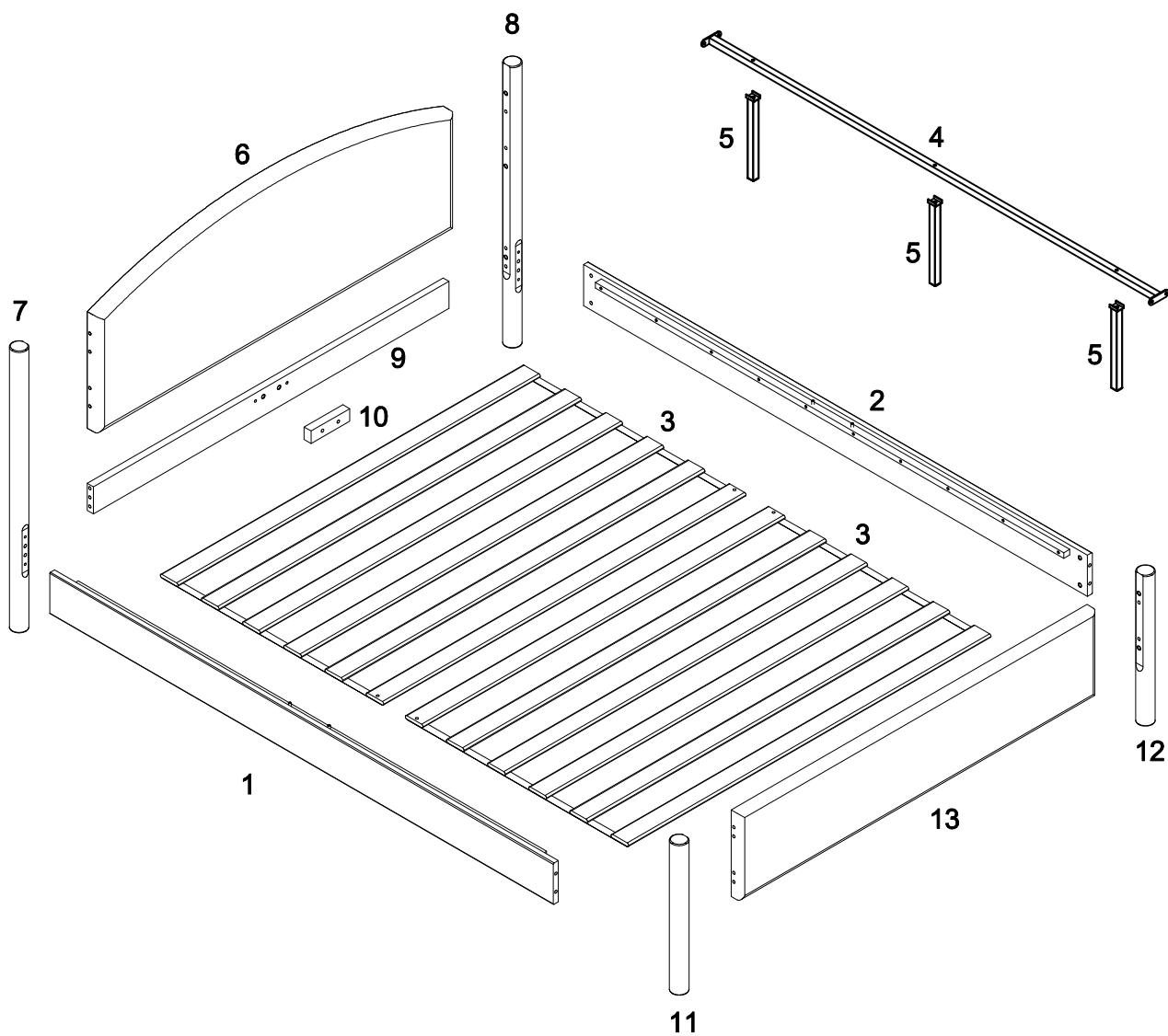


# INSTRUCTION

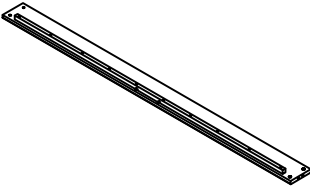
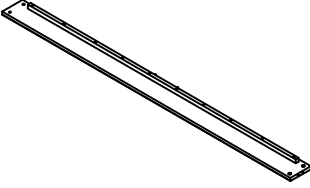
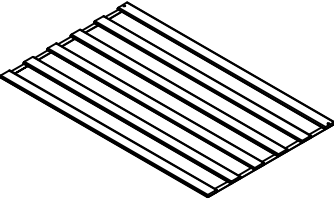
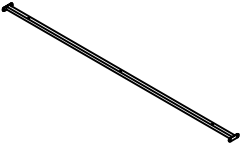
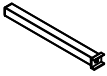
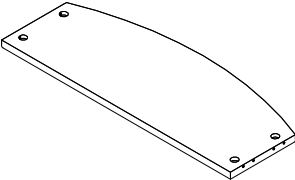
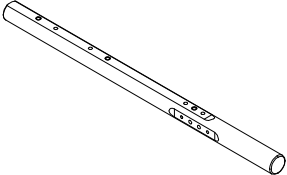
## Platform Bed

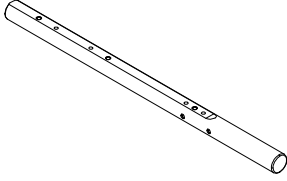
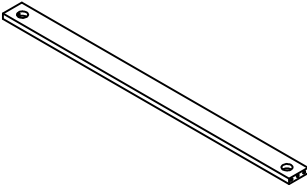

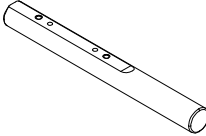
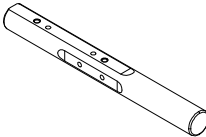
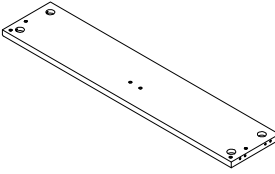
Caution: Read owner's manual completely before assembly and use.




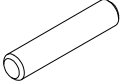
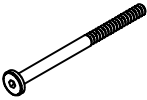

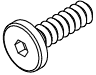

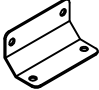
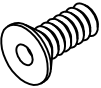

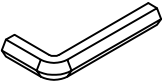
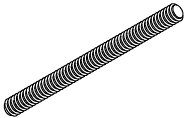
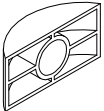


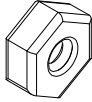
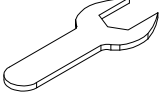
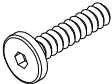
**Parts :**

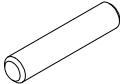

|   | PARTS   | Q'TY |
|---|---|------|
| 1 |    | 01   |
| 2 |    | 01   |
| 3 |   | 02   |
| 4 |  | 01   |
| 5 |  | 03   |
| 6 |  | 01   |
| 7 |  | 01   |

|    | PARTS   | Q'TY |
|----|---|------|
| 8  |     | 01   |
| 9  |     | 01   |
| 10 |    | 01   |
| 11 |  | 01   |
| 12 |  | 01   |
| 13 |   | 01   |

## Hardware:

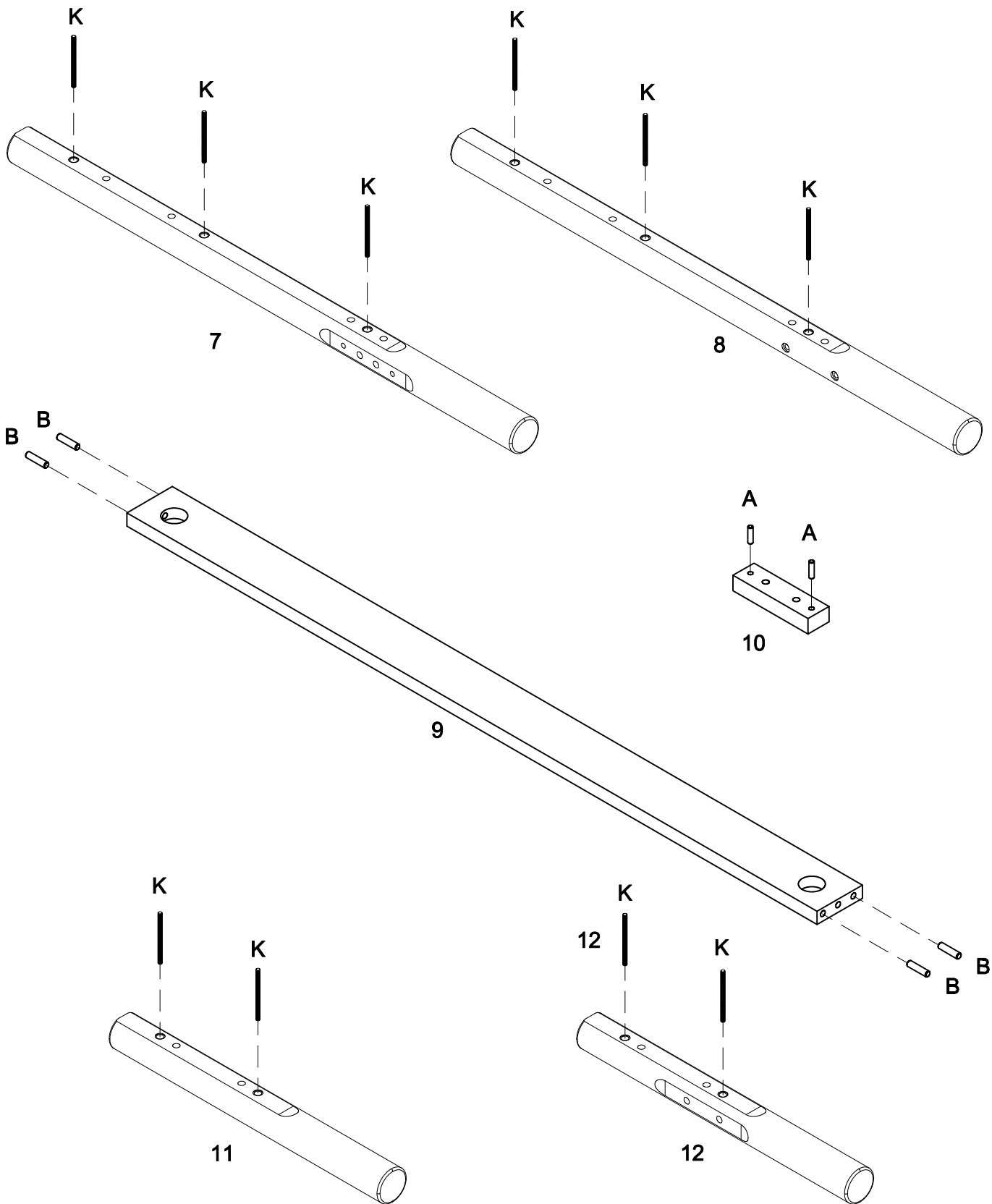
|   | HARDWARE  | Q'TY |
|---|---|------|
| A | <br>ø8×25  | 02   |
| B | <br>ø10×40 | 20   |
| C |            | 4    |
| D |            | 4    |
| E | <br>ø8×20  | 02   |
| F |          | 07   |
| G |          | 02   |
| H |          | 08   |
| I |          | 01   |
| J |          | 01   |
| K |          | 10   |
| L |          | 10   |

|   | HARDWARE   | Q'TY |
|---|--|------|
| M |           | 10   |
| N |           | 01   |
| O | <br>ø8×35 | 05   |

|   | SPARE HARDWARE  | Q'TY |
|---|---|------|
| B | <br>ø10×40 | 02   |
| F |            | 01   |

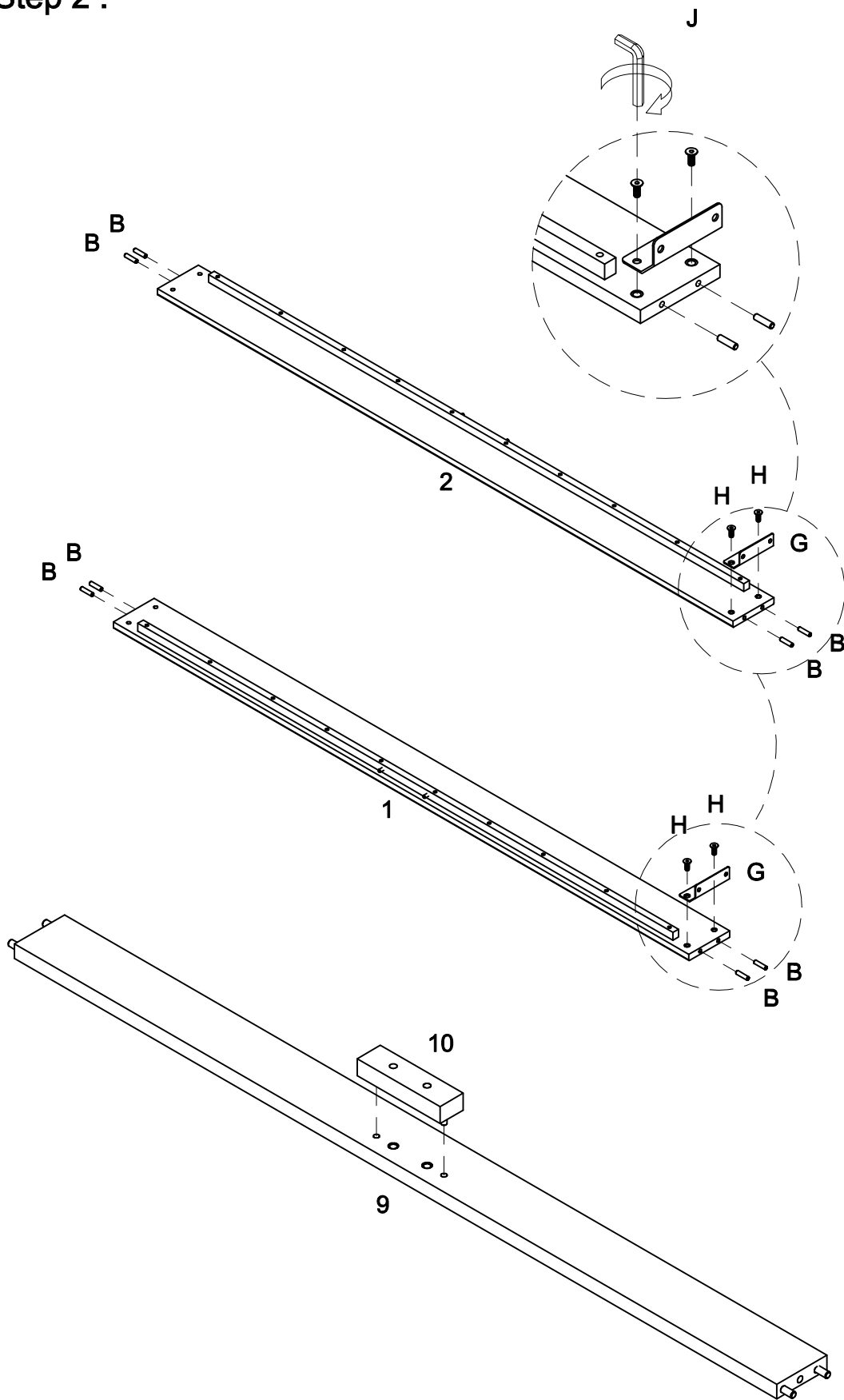
# Step By Step Assembly Instructions

## Step 1 :



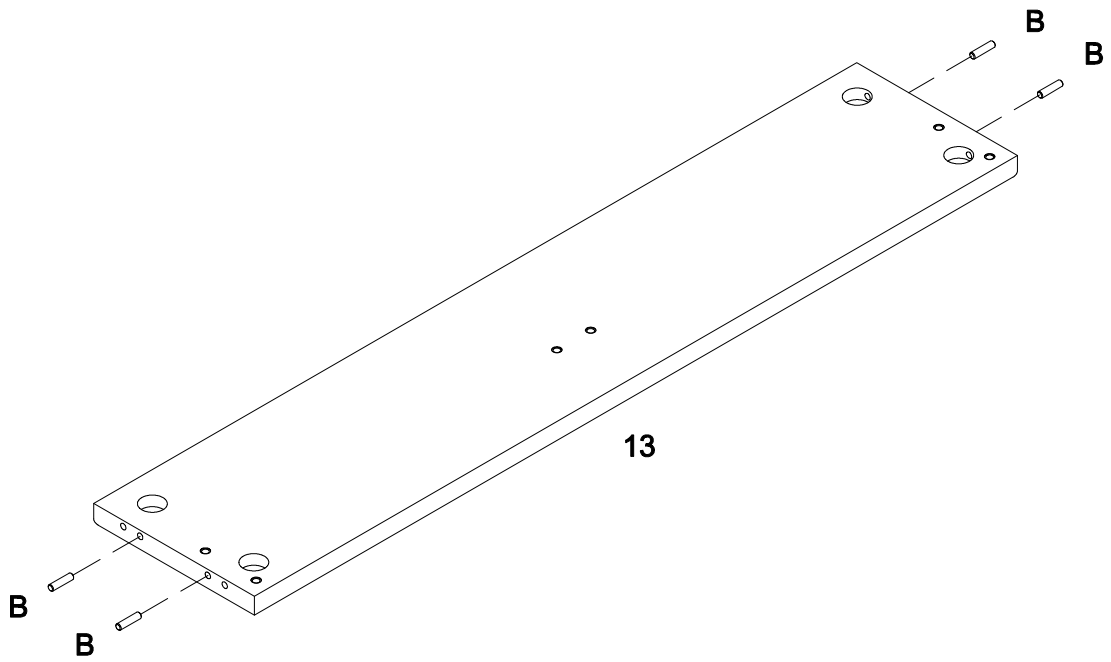
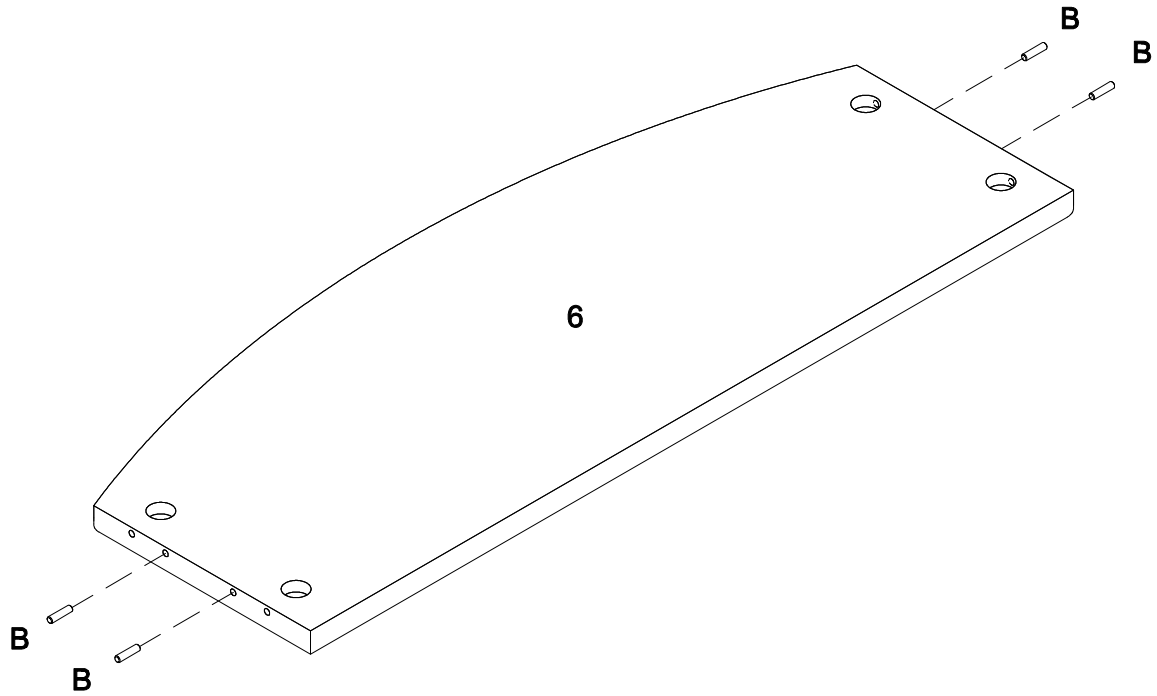
# Step By Step Assembly Instructions

Step 2 :



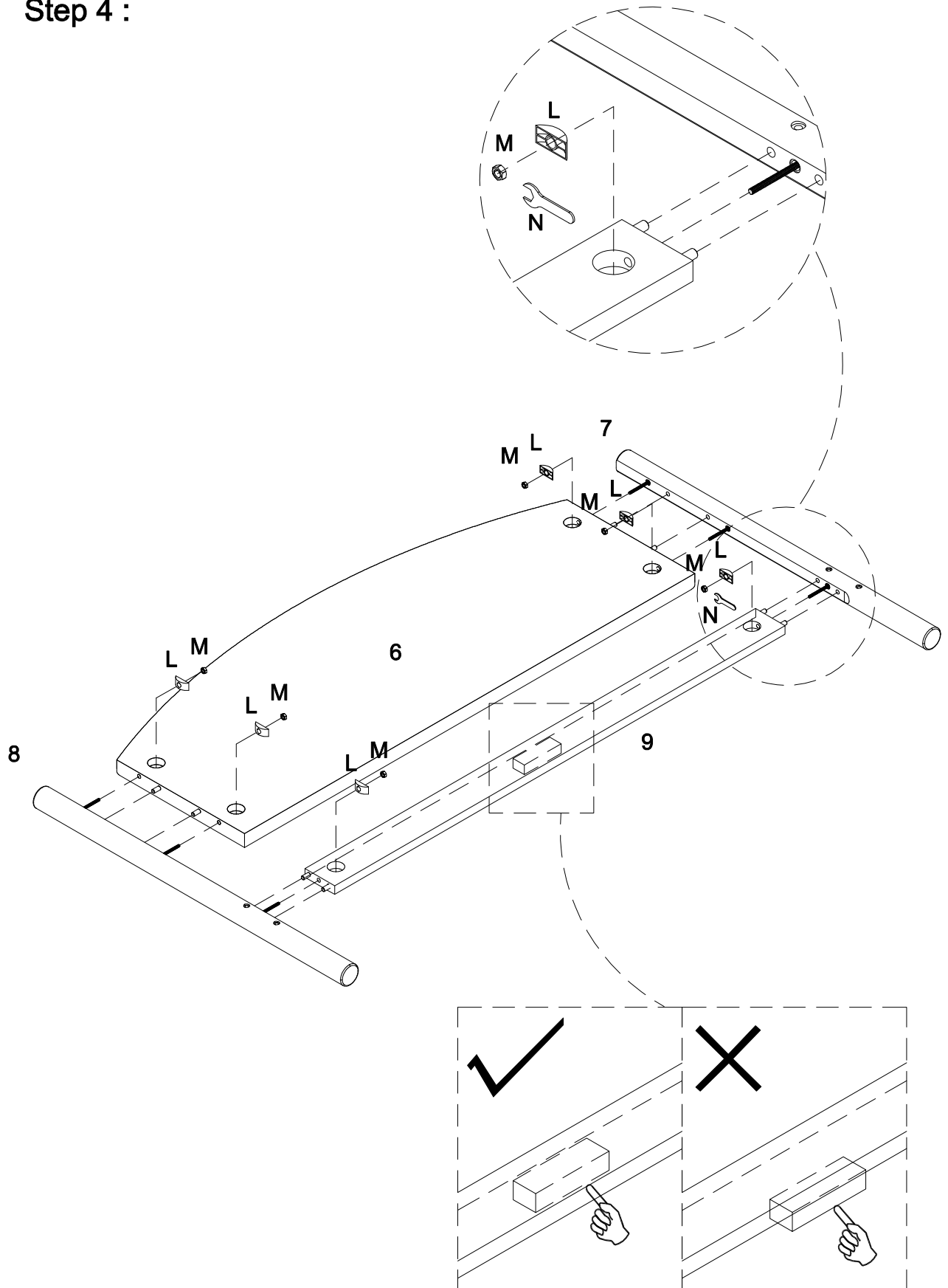
# Step By Step Assembly Instructions

Step 3 :



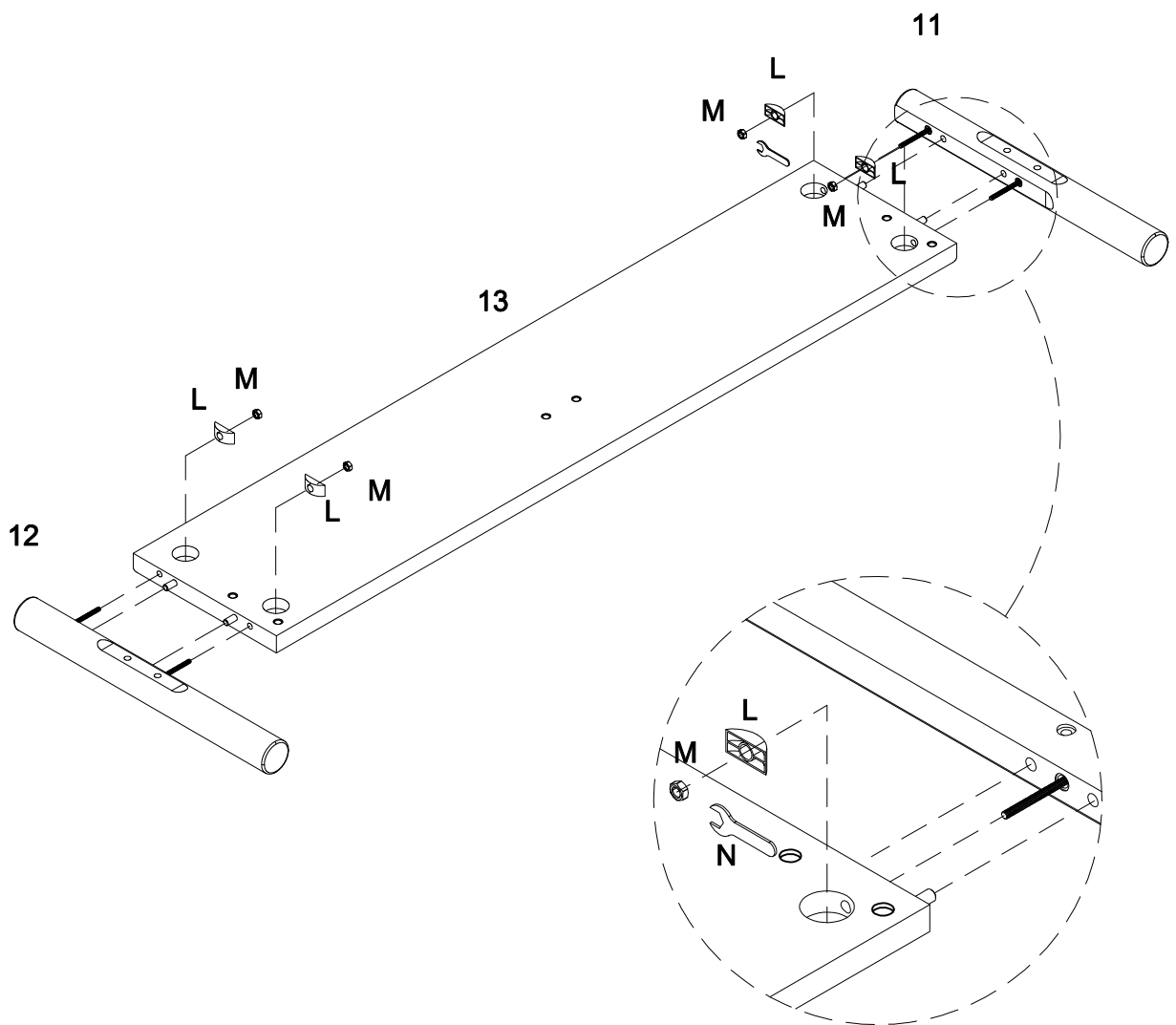
# Step By Step Assembly Instructions

Step 4 :



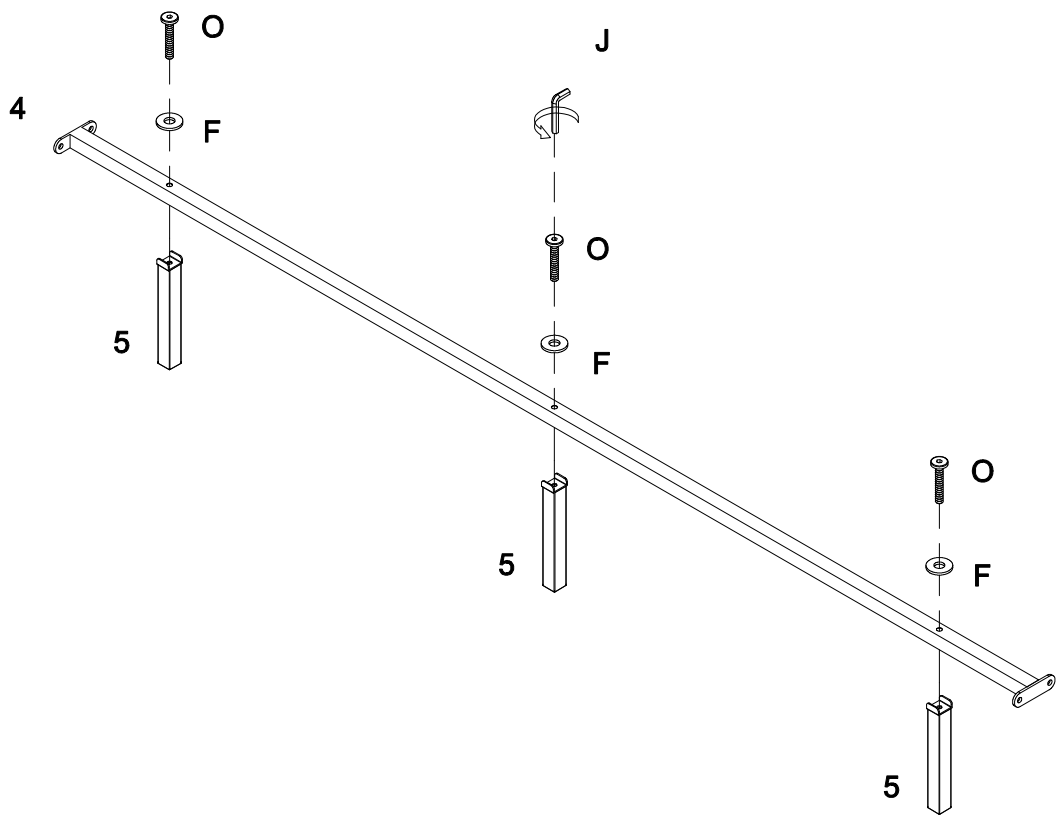
# Step By Step Assembly Instructions

## Step 5 :



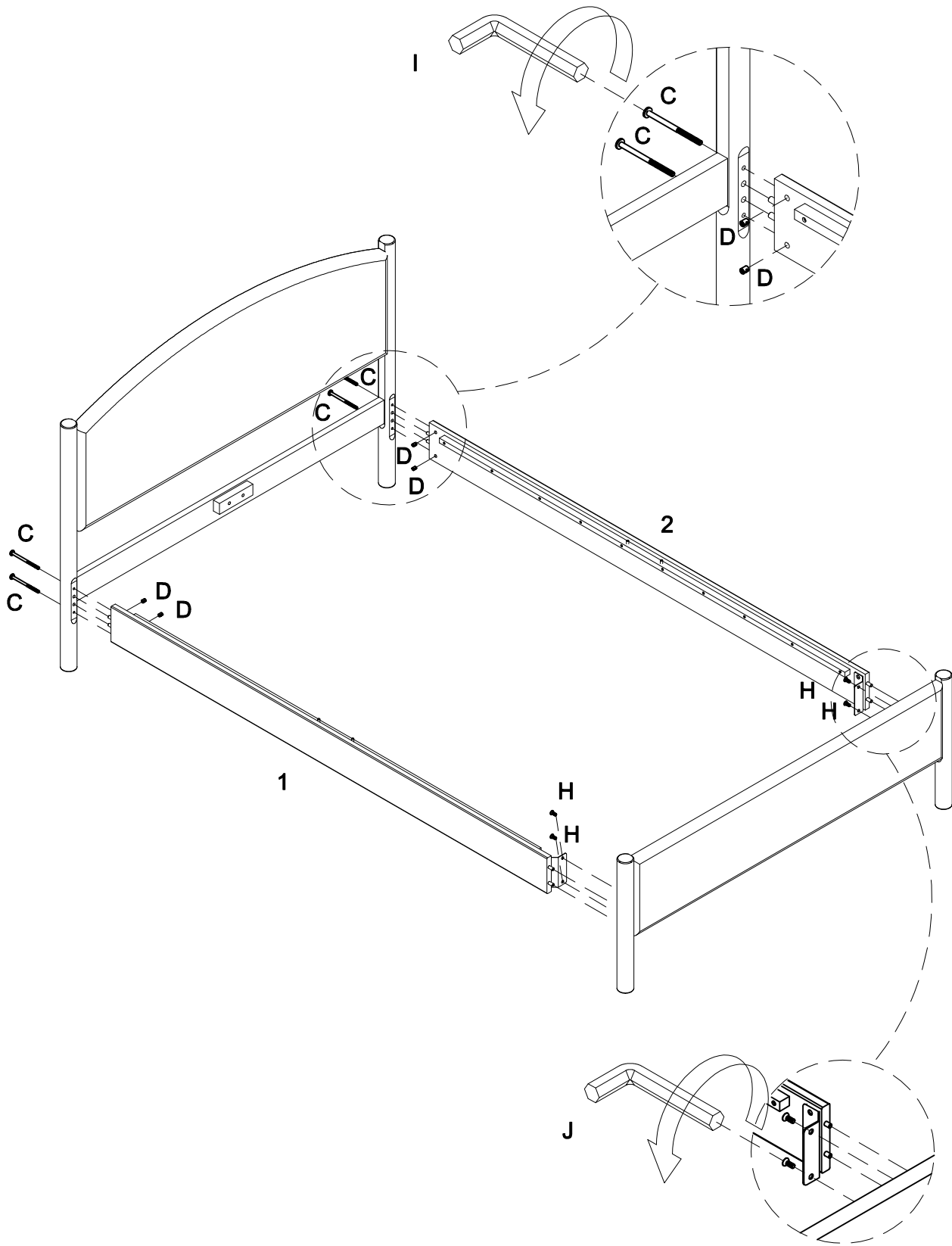
# Step By Step Assembly Instructions

Step 6 :



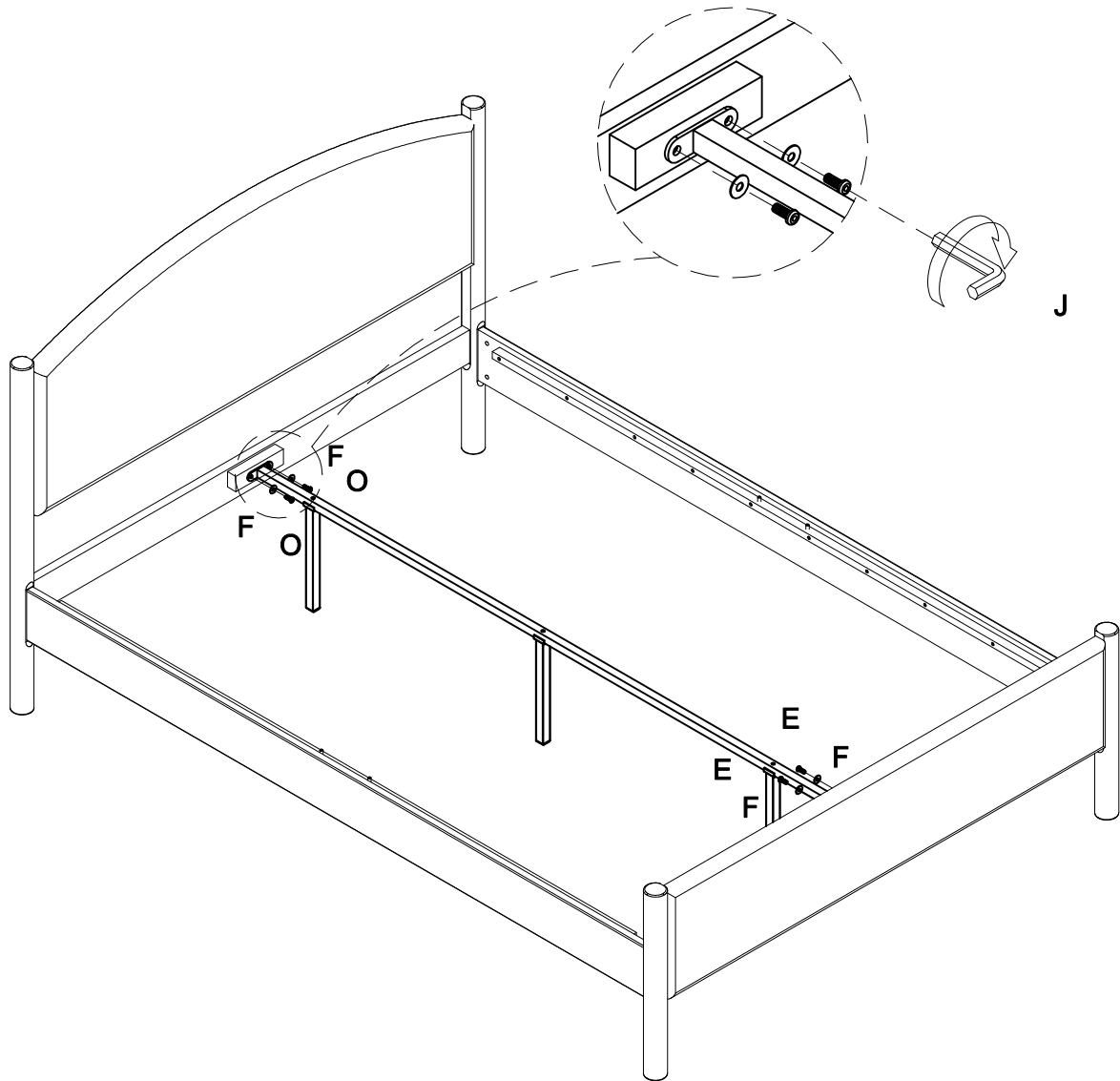
# Step By Step Assembly Instructions

Step 7 :



# Step By Step Assembly Instructions

Step 8 :



## Step By Step Assembly Instructions

Step 9 :

