

# *ASSEMBLY INSTRUCTIONS*



REVISION 0 : 10/23/2017  
REVISION 1 : 07/13/2020  
REVISION 2 : 01/31/2023

# ASSEMBLY INSTRUCTIONS

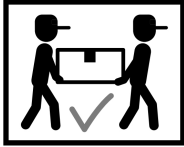
## ASSEMBLY TIPS:

1. Remove hardware from box and sort by size.
2. Please check to see that all hardware and parts are present prior to start of assembly.
3. Please follow attached instructions in the same sequence as numbered to assure fast & easy assembly.



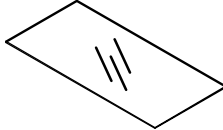
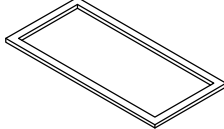
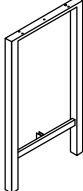
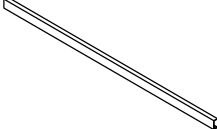
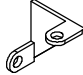
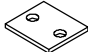
## WARNING!

1. Don't attempt to repair or modify parts that are broken or defective. Please contact the store immediately.
2. This product is for home use only and not intended for commercial establishments.



ASSEMBLY TIME 50 MINUTES








## PARTS IDENTIFICATION

A	GLASS		1PC
BN	TOP FRAME		1PC
CN	SIDE FRAME		2PCS
D	CROSSBAR		1PC
E	TRIANGLE METAL		4PCS
F	SUPPORT METAL		4PCS

# ASSEMBLY INSTRUCTIONS

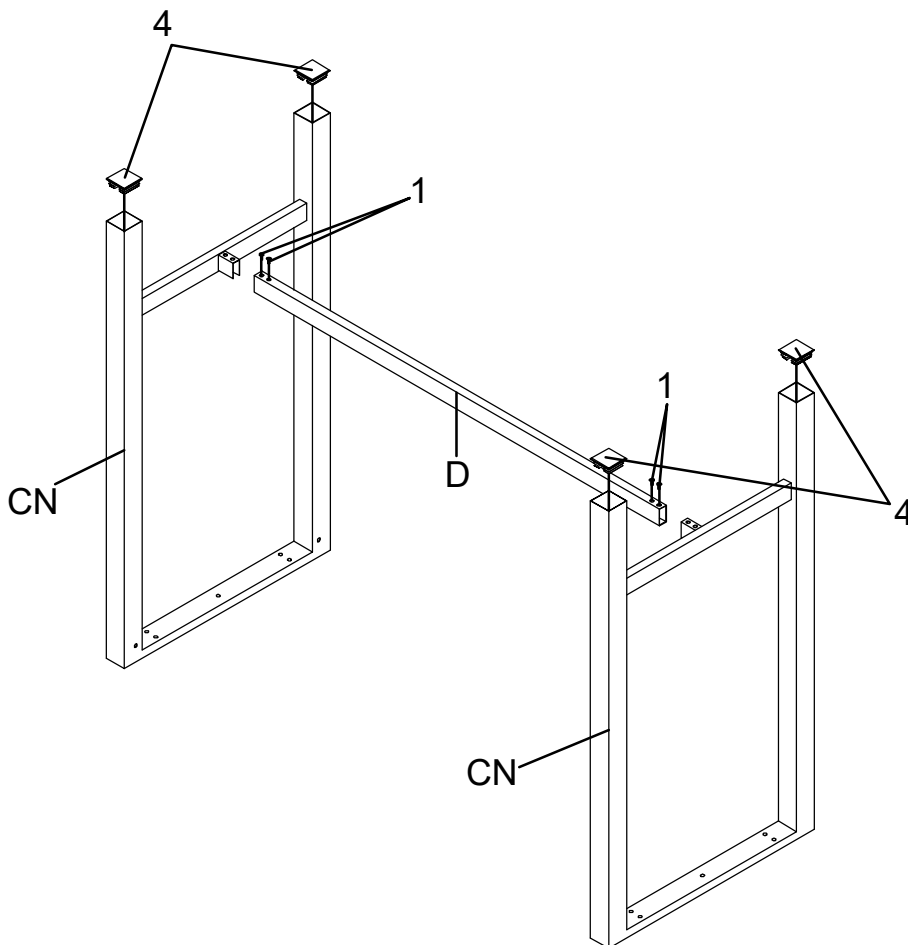
ZN

## HARDWARE IDENTIFICATION

1	SHORT BOLT (1/4" x 12mm SR)		12PCS	5	WASHER ( $\phi$ 16mm)		2PCS
2	LONG BOLT (1/4" x 30mm SR)		10PCS	6	COVER		8PCS
3	SUCTION CUP ( $\phi$ 15 x 2.7mm)		6PCS	7	ALLEN KEY (4mm)		1PC
4	CAP (50 x 50mm BLK)		4PCS				

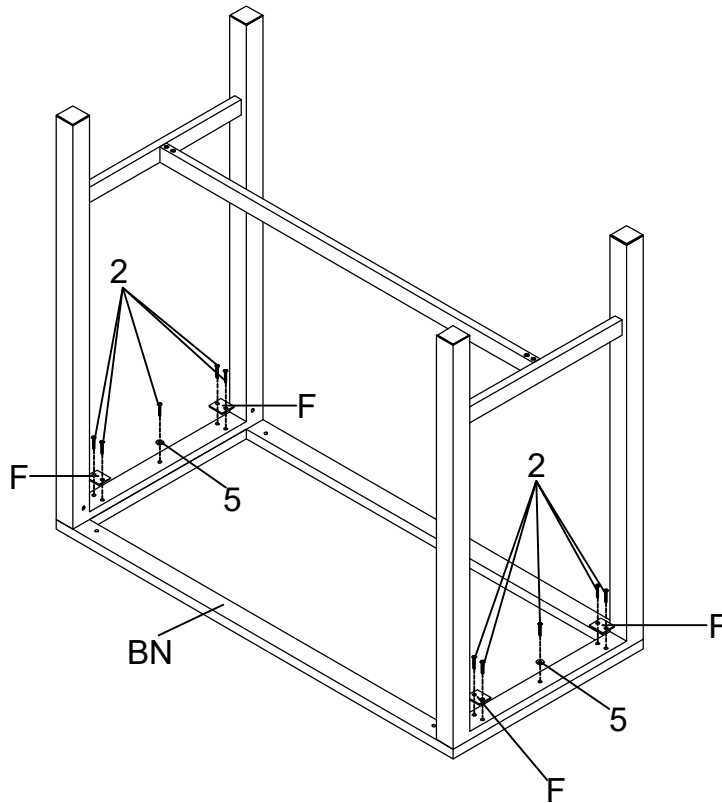
### STEP 1

Do not tighten until each step is completed or instructed.

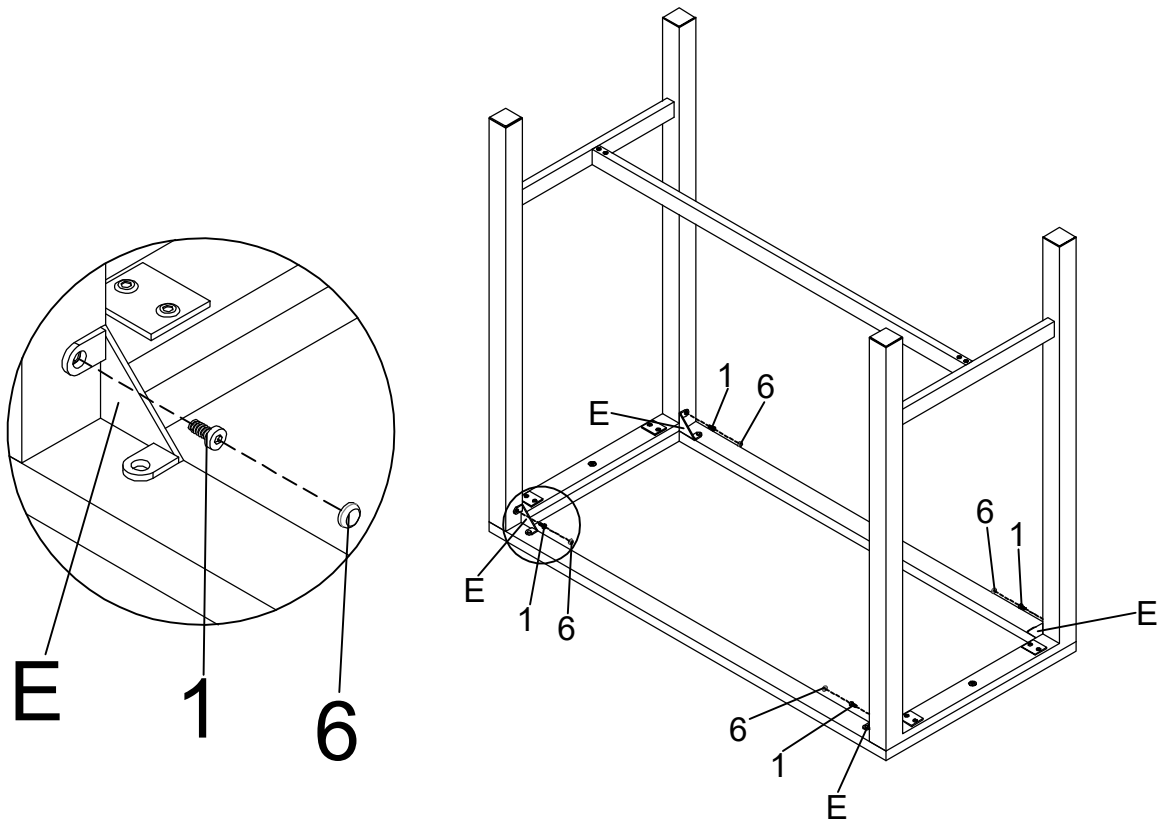


# ASSEMBLY INSTRUCTIONS

## STEP 2

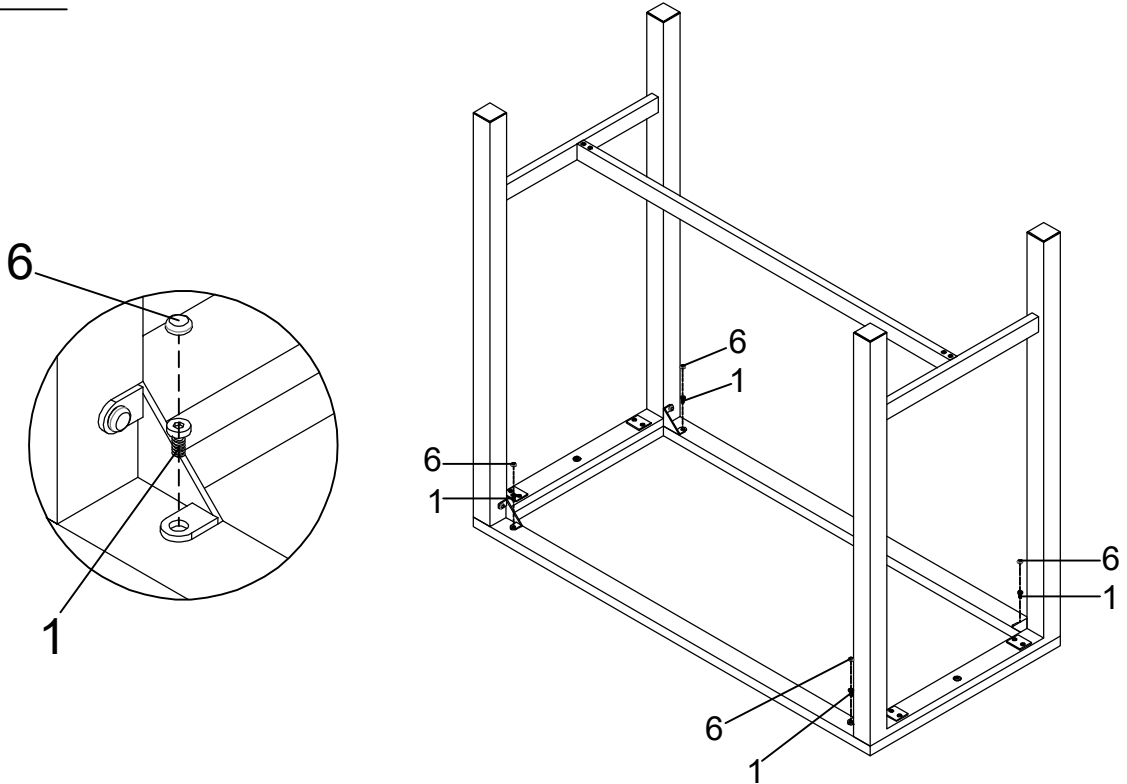


## STEP 3



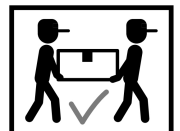
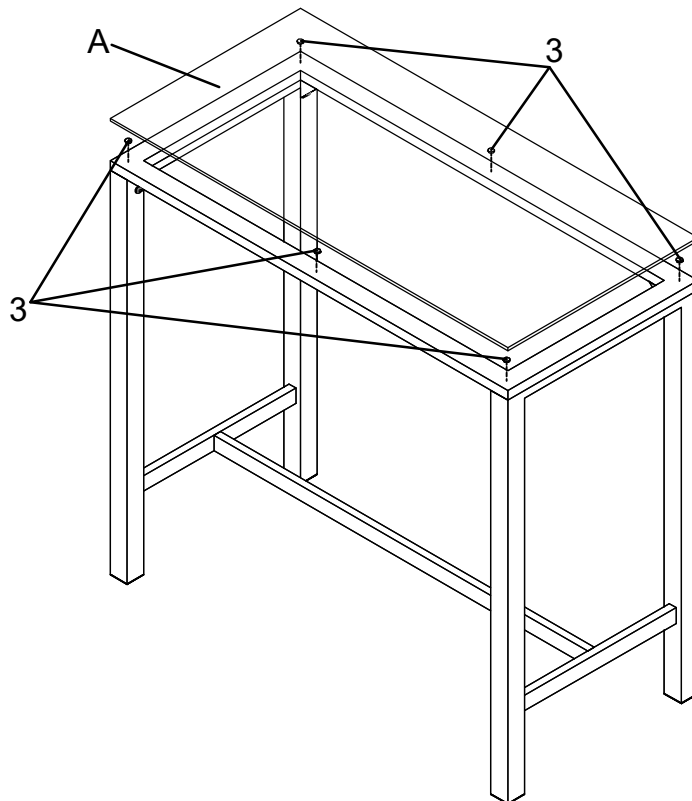
# ASSEMBLY INSTRUCTIONS

## STEP 4



## STEP 5

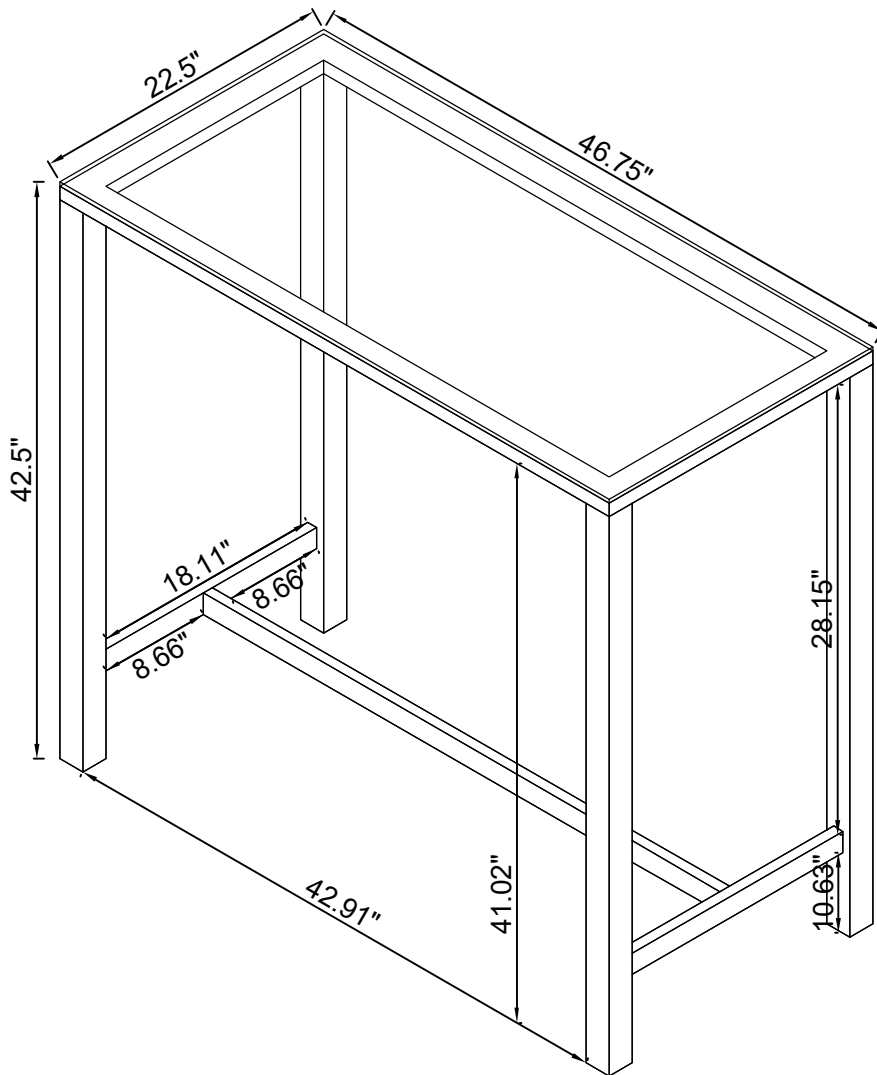
### COMPLETE



# ASSEMBLY INSTRUCTIONS

**Product Size : 1188 X 571 X 1080 H (MM)**

**Product Size : 46  $\frac{3}{4}$ " X 22  $\frac{1}{2}$ " X 42  $\frac{1}{2}$ "**



Note : Dimension tolerance  $\pm 5\%$