

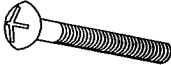
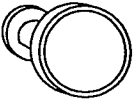

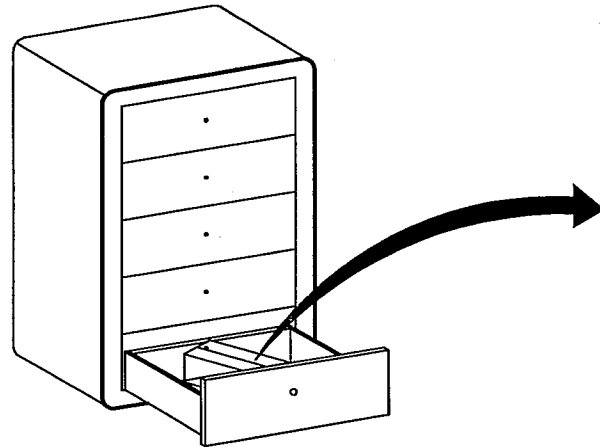
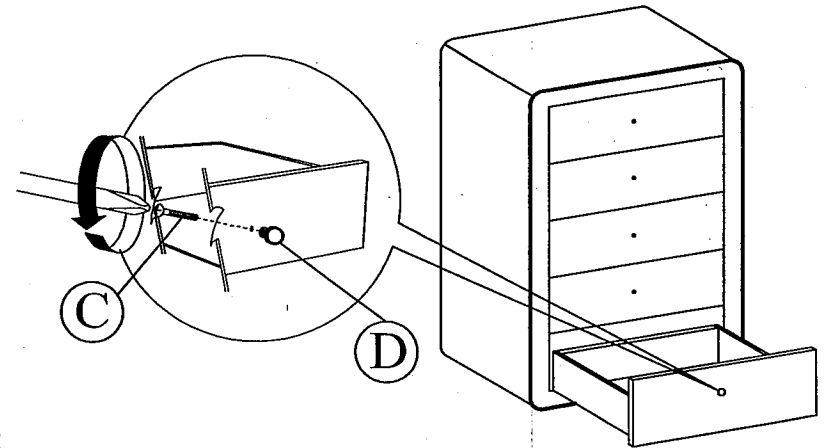


CHEST		
NO.	PART LIST	QTY
A	 CHEST	1 PC
B	 LEG	4 PCS
C	HANDLE SCREW 	5 PCS
D	HANDLE 	5 PCS
E	 NO 35 Washers	4 PCS

Step 1 :Take out the small carton to assemble !



Step 2 :Attach the handle (D) by using handle screw (C).



Step 3: Tighten the legs (B) to chest (A) as shown.

