

RVH8830

UNDERMOUNT SLOPE BOTTOM SINK

RUVATI[®]
SPECIFICATION SHEET

MATERIAL

- True 16 Gauge Thickness
- Premium T304 Grade Stainless Steel
18/10 Chromium/Nickel Content
- Commercial Brushed Finish

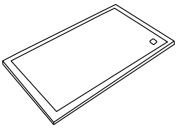
FEATURES

- Heavy duty sound guard padding
and undercoating
- Embossed stainless steel with a
hexagonal pattern and matte finish
- Reversible Offset Drain with Sloped
Bottom

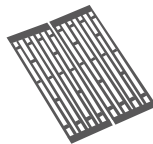


US Patent No. 12,637,849

IN THE BOX



Cutting Board
[RVA1217BWC]



Folding Rack
[RVA1397]



Basket Strainer
[RVA1025]



Drain Cover
[RVA11062]



Mounting Clips
[RVA11031]



Cut-out
Template

NOMINAL DIMENSIONS

Exterior: 30" (wide) x 19" (front-to-back)
Interior Bowl: 28-1/2" (wide) x 16" (front-to-back)
Bowl Depth: 10"
Minimum Cabinet Size: 33" wide
Drain Hole Size: 3 1/2"

Installation Type:
Undermount
Inside Corners:
Rounded
Drain Location:
Offset

RUVATI USA

www.ruvati.com

Phone: 1.855.478.8284
Email: support@ruvati.com

OPTIONAL ACCESSORIES (SOLD SEPARATELY)



Deep Basket
Disposal Flange
[RVA1049ST]



Deep Basket
Disposal Flange/Stopper
[RVA1052ST]

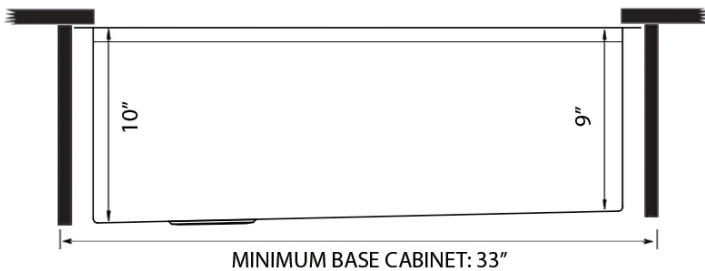
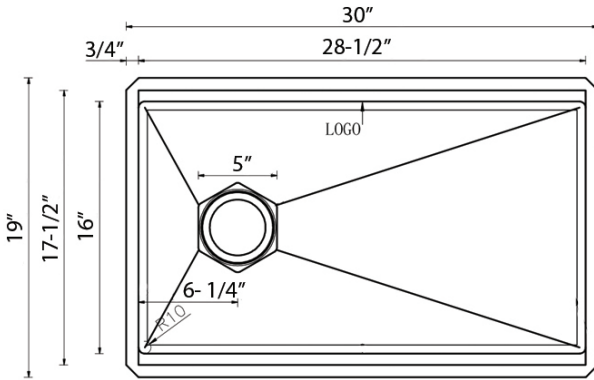


Garbage Disposal
Flange/Stopper
[RVA1042ST]



Deep Basket Strainer
and Stopper
[RVA1027ST]

DIMENSIONS



cUPC certified by IAPMO
to meet US and Canada
plumbing standards.



SCAN TO REGISTER
YOUR WARRANTY

or visit
ruvati.com/register

RUVATI USA

www.ruvati.com

Phone: 1.855.478.8284
Email: support@ruvati.com