

NOTICE

*Please make sure that you have all parts indicated and they are in good condition before you begin assembly of this item. Refer to part list and hardware list below for guidance.

*This item should be assembled on a soft surface to prevent scratching the finish during assembly.

*This item may require periodic tightening.

*If you are having difficulty, our friendly Customer Care team is always here to help. Please email customersupport@safavieh.com

PREPARATION

*Before beginning assembly of product, make sure all parts are present. Compare parts with part contents list and hardware contents list.

*If any part is missing or damaged, do not attempt to assemble the product.

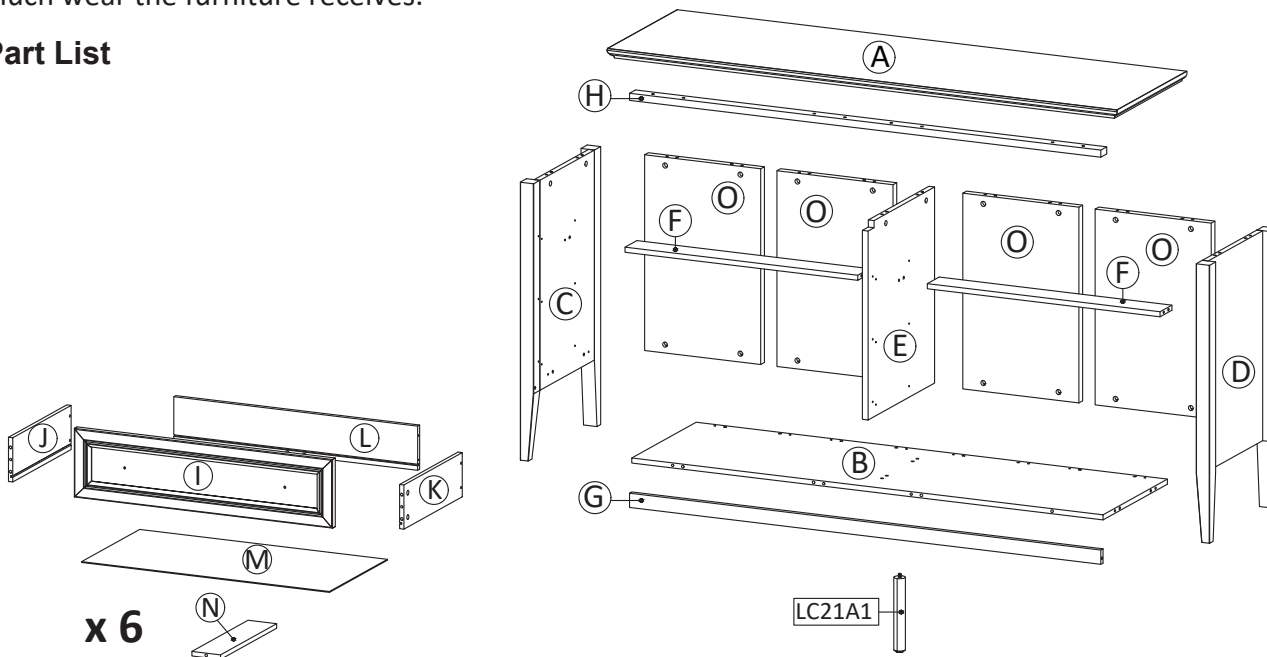
*Estimated Assembly Time: 120 minutes.

*Tools Required for Assembly (included): Allen Key

CARE AND MAINTENANCE

Always use felt pads under all articles to prevent discoloration or softening of the lacquer. Plastic and rubber bases on items can discolor wood. Wipe up spills immediately and avoid common hazards such as hot dishes, harsh solvents and abrasives. Cleaning should be done with a soft lint free cotton cloth dampened with water or furniture polish. On highly used surfaces we recommend applying a quality paste wax which should be used on a regular basis to provide additional protection from scratches and spills. How often you apply the wax depends on how much wear the furniture receives.

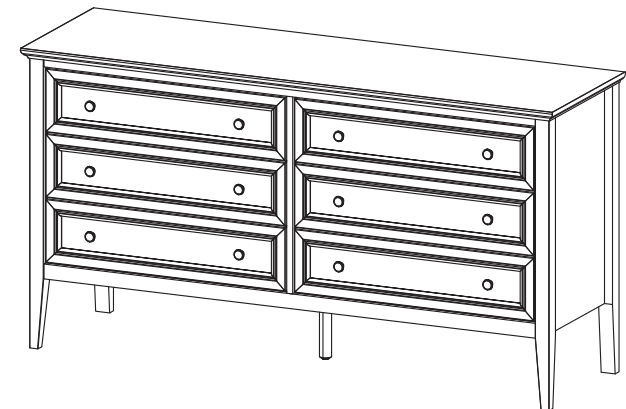
Part List



 **SAFAVIEH**
FURNITURE

Model# DRS9602

Product Dimensions: 63"Wx18"Dx33"H



 **WARNING :**

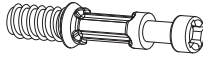

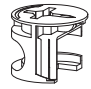





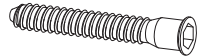

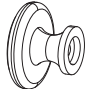
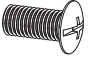
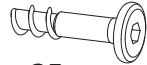
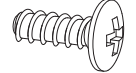
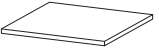
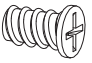

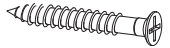


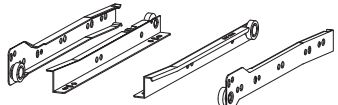
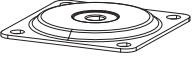
WEIGHT CAPACITY: 108 LBS.

DRAWER LOAD CAPACITY: 33 LBS

Warning : Do not stand on chest.

Warning : Do not over torque bolts.

Hardware List

<p>HW1x62</p>  <p>Ø 6 x 35 mm</p>	<p>HW2x1</p> 	<p>HW3x34</p>  <p>Ø 15 mm</p>	<p>HW4x30</p>  <p>Ø 12 mm</p>	<p>HW5x36</p>  <p>Ø 8 x 30 mm</p>
<p>HW6x12</p>  <p>Ø 6 x 30 mm</p>	<p>HW7x4</p>  <p>Ø 8 x 20 mm</p>	<p>HW8x1</p>  <p>Ø 8 x 50 mm</p>	<p>HW9x2</p>  <p>M 7 x 50 mm</p>	<p>HW10x2</p> 
<p>HW11x12</p> 	<p>HW12x12</p>  <p>M 4 x 12 mm</p>	<p>HW13x4</p>  <p>M 6.4 x 25 mm</p>	<p>HW14x4</p>  <p>M 4.5 x 12.5 mm</p>	<p>HW15x4</p> 
<p>HW16x36</p>  <p>M 6 x 10.5 mm</p>	<p>HW17x24</p> 	<p>HW18x36</p>  <p>M 8 x 39 mm</p>	<p>HW19x24</p>  <p>M 3.5 x 15.5 mm</p>	<p>HW20x36</p>  <p>M 3.5 x 13 mm</p>
<p>HW RM35Ax6</p> 	<p>HW PM2x1</p> 			

Part List & HW For Multi-Box Items

Piece	Description	Qty	Carton Call
A	Top Board	1	1 of 2
B	Bottom Board	1	1 of 2
C	Side Board Left	1	2 of 2
D	Side Board Right	1	2 of 2
E	Center Board	1	2 of 2
F	Support Board 1	2	1 of 2
G	Bottom Skirt	1	1 of 2
H	Support Board 2	1	1 of 2
I	Front Drawer	6	1 of 2
J	Side Drawer Left	6	1 of 2
K	Side Drawer Right	6	1 of 2
L	Back Drawer	6	1 of 2
M	Bottom Drawer	6	2 of 2
N	Support Drawer	6	1 of 2
O	Back Board	4	2 of 2
LC21A1	Center Leg	1	1 of 2

Piece	Description	Qty	Carton Call
HW1	Cambolt	62	2 of 2
HW2	Double End Cambolt	1	2 of 2
HW3	CamLock Big	34	2 of 2
HW4	CamLock Small	30	2 of 2
HW5	Dowel Ø 8 x 30 mm	36	2 of 2
HW6	Dowel Ø 6 x 30 mm	12	2 of 2
HW7	Dowel Ø 8 x 20 mm	4	2 of 2
HW8	Dowel Ø 8 x 50 mm	1	2 of 2
HW9	Screw M 7 x 50 mm	2	2 of 2
HW10	Allen Key	2	2 of 2
HW11	Handle	12	2 of 2
HW12	Screw M 4 x 12 mm	12	2 of 2
HW13	Screw M 6.4 x 25 mm	4	2 of 2
HW14	Screw M 4.5 x 12.5 mm	4	2 of 2
HW15	Floor Protector	4	2 of 2
HW16	Screw M 6 x 10.5 mm	36	2 of 2
HW17	Wedge	24	2 of 2
HW18	Screw M 8 x 39 mm	36	2 of 2
HW19	Screw M 3.5 x 15.5 mm	24	2 of 2
HW20	Screw M 3.5 x 13 mm	36	2 of 2
HW RM35A	Drawer Runner	6	1 of 2
HW PM2	Mounting Plate	1	2 of 2

PREPARATION

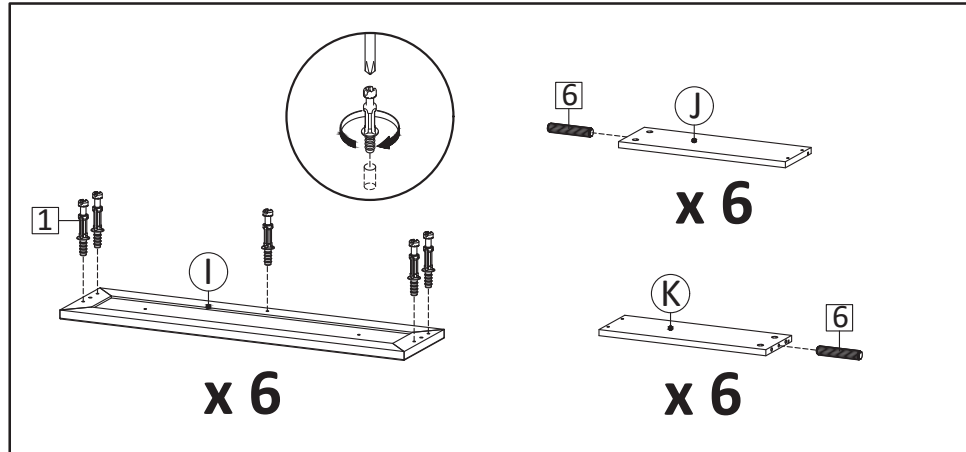
*Before beginning assembly of product, make sure all parts are present. Compare parts with part contents list and hardware contents list.

*If any part is missing or damaged, do not attempt to assemble the product.

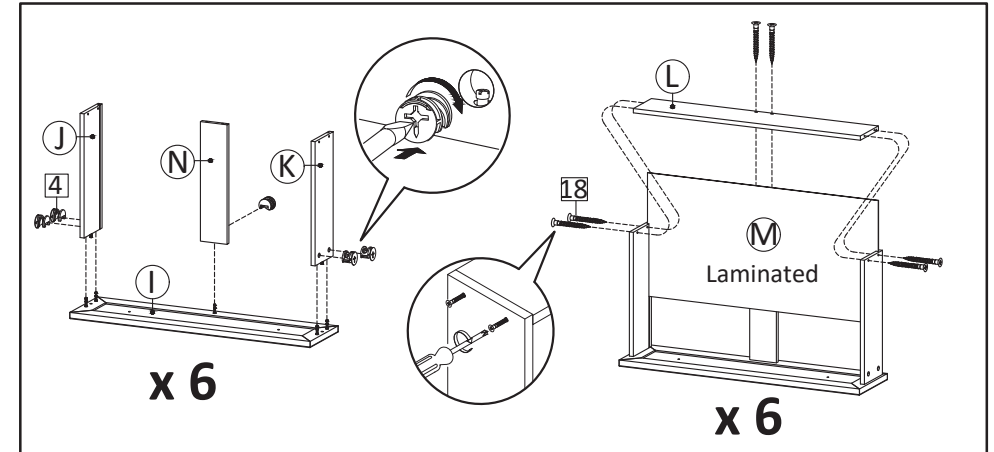
*Estimated Assembly Time: 120 minutes.

*Tools Required for Assembly (included): Allen Key

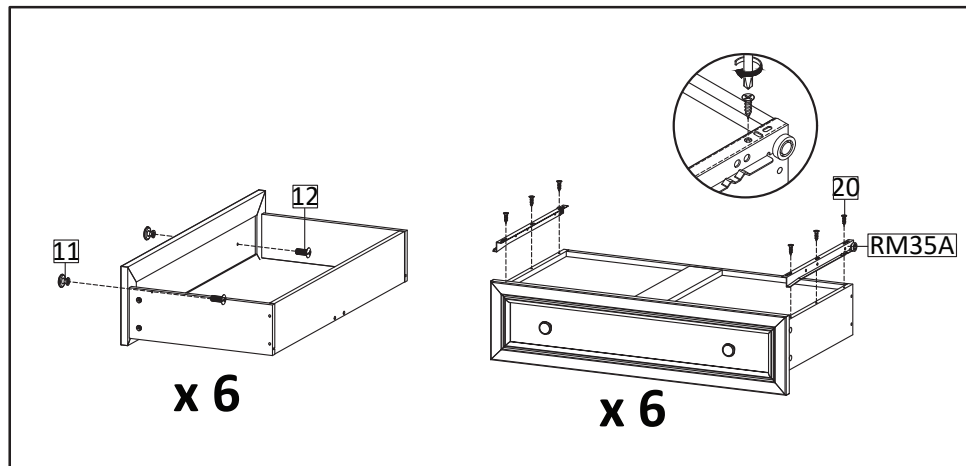
*If you are having difficulty, our friendly Customer Care team is always here to help. Please email customersupport@safavieh.com



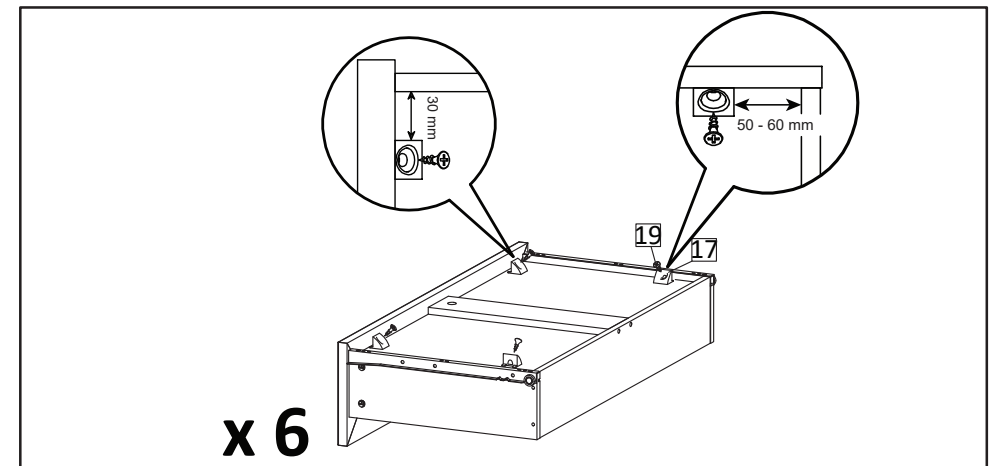
STEP1: Insert Cambolt (HW1) into Front Drawer (I). Insert Dowel \varnothing 6x30mm (HW6) into Side Drawers (J&K).



STEP2: Combine Side Drawers (J&K) and Support Drawer (N) into Front Drawer (I) then tighten Camlock Small (HW4) using screwdriver. Insert Bottom Drawer (M) with laminated face facing upward then put Back Drawer (L) and secure with Screw M8x39mm (HW18).



STEP3: Use Screw M4x12mm (HW12) to attach Handle (HW11) to the Front Drawer. Install the Drawer Runner (HW RM35A) into position as shown in picture. Secure with screws M3.5x13mm (HW20).



STEP4: Insert the Screw M3.5x15.5mm (HW19) and Wedge (HW17) into the bottom of the drawer according to the picture.

PREPARATION

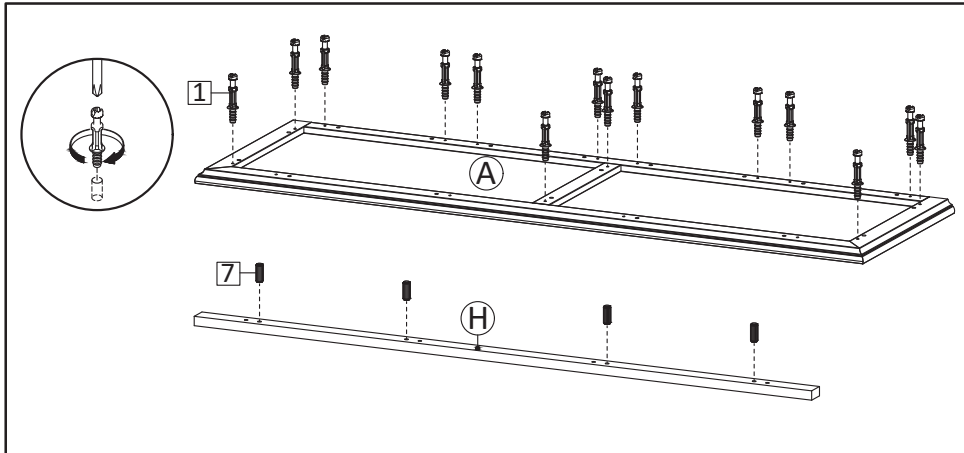
*Before beginning assembly of product, make sure all parts are present. Compare parts with part contents list and hardware contents list.

*If any part is missing or damaged, do not attempt to assemble the product.

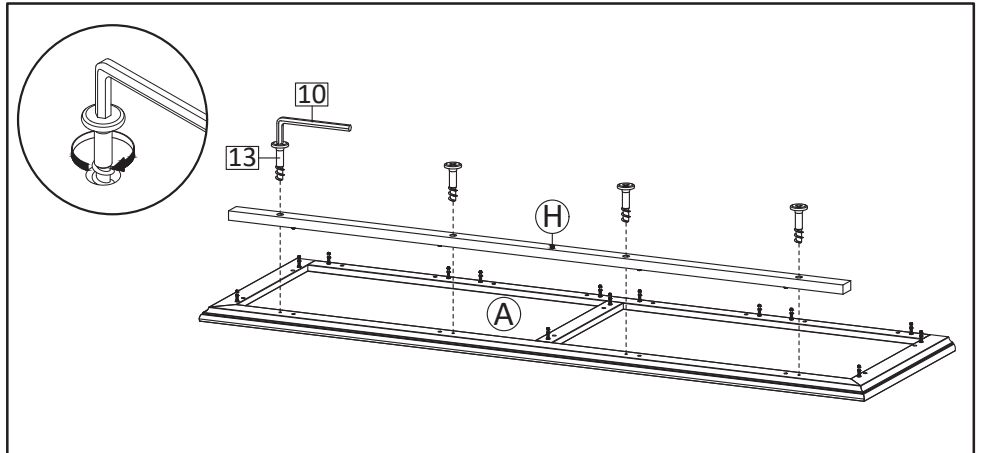
*Estimated Assembly Time: 120 minutes.

*Tools Required for Assembly (included): Allen Key

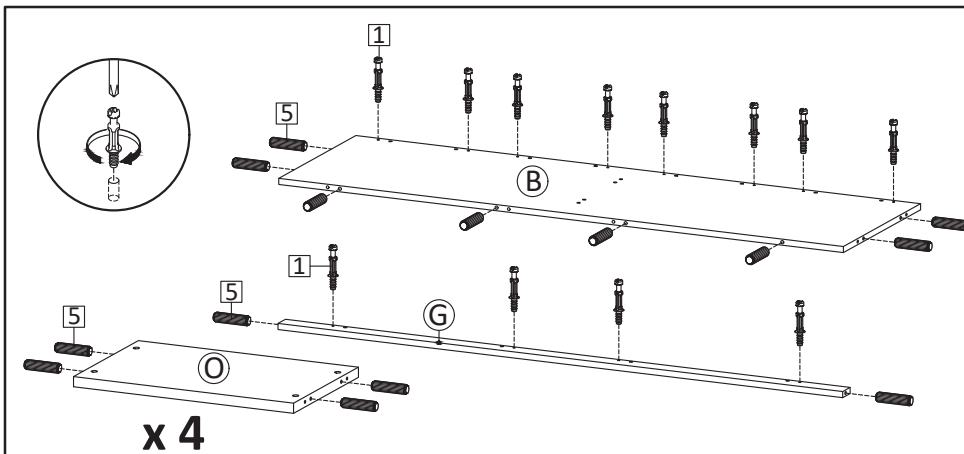
*If you are having difficulty, our friendly Customer Care team is always here to help. Please email customersupport@safavieh.com



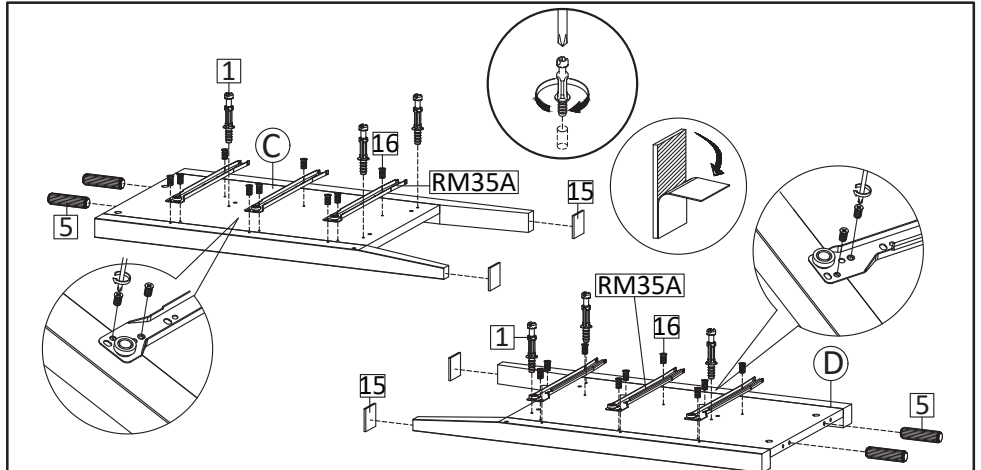
STEP5: Insert Cambolt (HW1) into Top Board (A) and Insert Dowel $\varnothing 8 \times 20 \text{mm}$ (HW7) into Support Board 2 (H).



STEP6: Insert Support Board 2 (H) into Top Board (A), then secure with Screw M6.4x25mm (HW13), tighten screws using Allen Key (HW10) as figure.



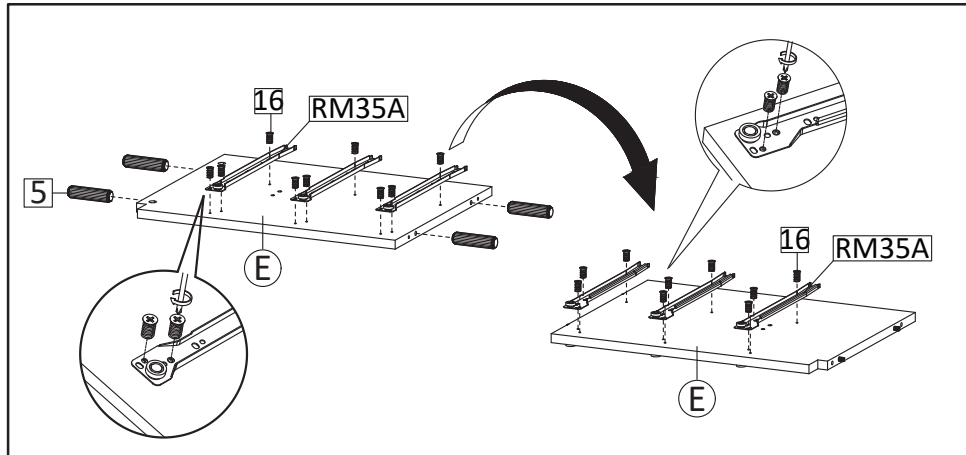
STEP7: Insert Cambolt (HW1) into Bottom Board (B) and Bottom Skirt (G). Insert Dowel $\varnothing 8 \times 30 \text{mm}$ (HW5) into Bottom Board (B), Bottom Skirt (G) and Back Board (O) .



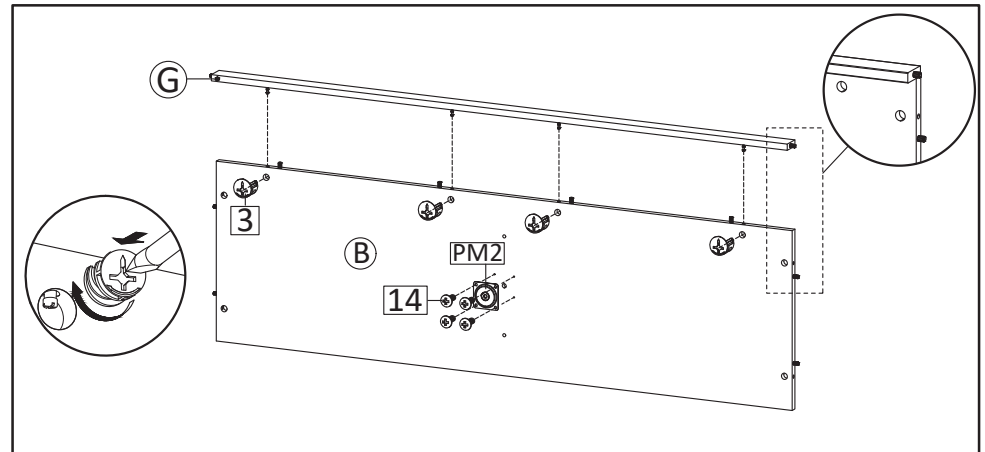
STEP8: Insert Dowel $\varnothing 8 \times 30 \text{mm}$ (HW5) into Side Board Left (C) and Side Board Right (D). Continue with securing part of the Drawer Runner (HW RM35A) into position as the above image, using screw M6x10.5mm (HW16). Attach Floor Protector (HW15) into Side Board Left (C) and Side Board Right (D).

PREPARATION

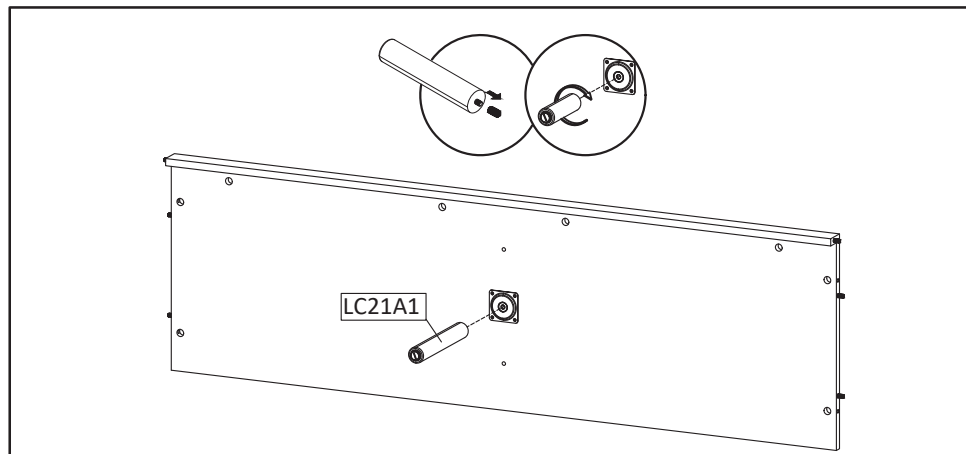
- *Before beginning assembly of product, make sure all parts are present. Compare parts with part contents list and hardware contents list.
- *If any part is missing or damaged, do not attempt to assemble the product.
- *Estimated Assembly Time: 120 minutes.
- *Tools Required for Assembly (included): Allen Key
- *If you are having difficulty, our friendly Customer Care team is always here to help. Please email customersupport@safavieh.com



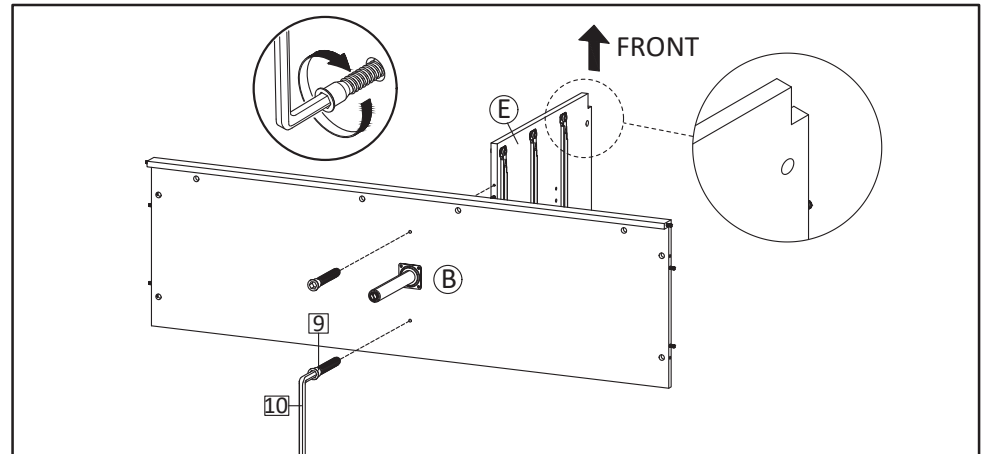
STEP9: Insert Dowel $\varnothing 8 \times 30 \text{mm}$ (HW5) into Center Board (E). Continue with securing part of the Drawer Runner (HW RM35A), into position as the above image, using screw M6x10.5mm (HW16). Please notice position the Drawer Runner part as per provided images. Flip the Center Board (E) to the other side then repeat the process.



STEP10: Attach Bottom Skirt (G) into Bottom Board (B), Secure with Camlock Big (HW3) and tighten it using screwdriver as figure. Install Mounting Plate (HW PM2) Secure with Screw M4.5x12.5mm (HW14) screwdriver as figure.



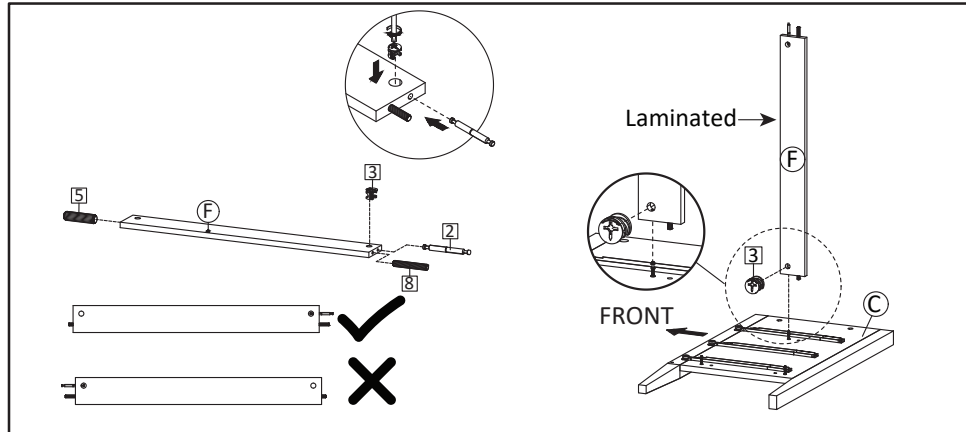
STEP11: Install Center Leg (LC21A1) into Mounting Plate (HW PM2) as figure.



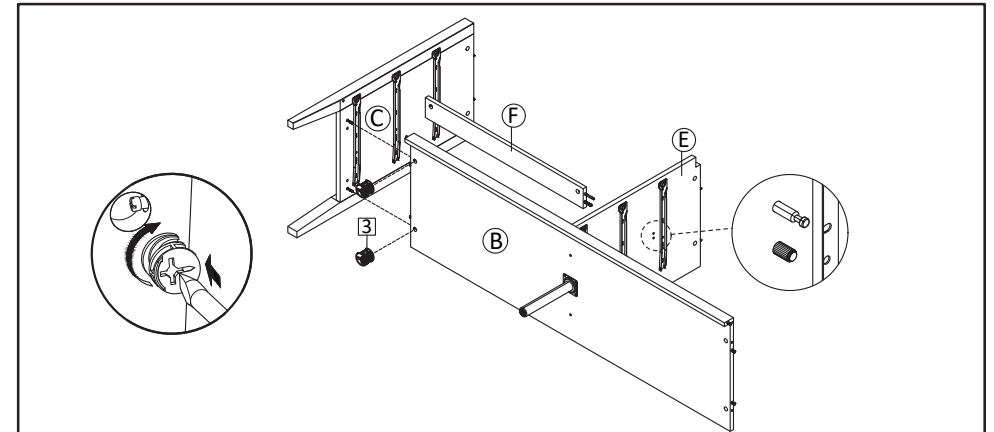
STEP12: Insert Center Board (E) into Bottom Board (B), then secure with Screw M7x50mm (HW9), tighten screws using Allen Key (HW10).

PREPARATION

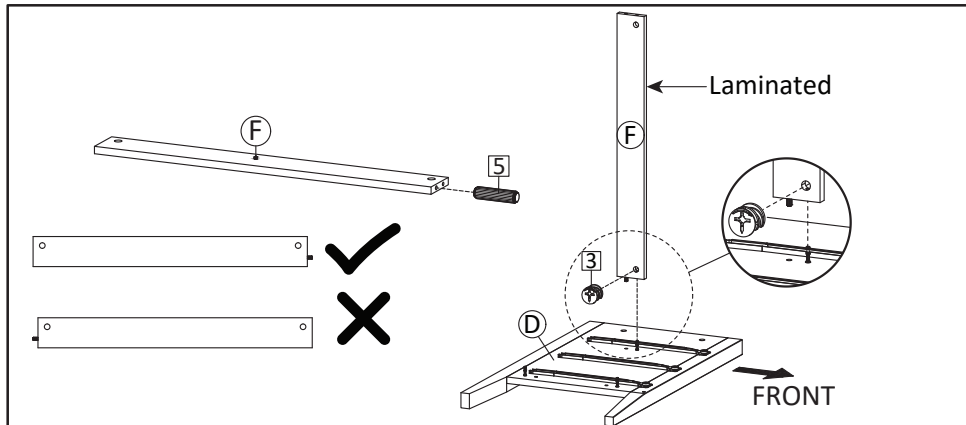
- *Before beginning assembly of product, make sure all parts are present. Compare parts with part contents list and hardware contents list.
- *If any part is missing or damaged, do not attempt to assemble the product.
- *Estimated Assembly Time: 120 minutes.
- *Tools Required for Assembly (included): Allen Key
- *If you are having difficulty, our friendly Customer Care team is always here to help. Please email customersupport@safavieh.com



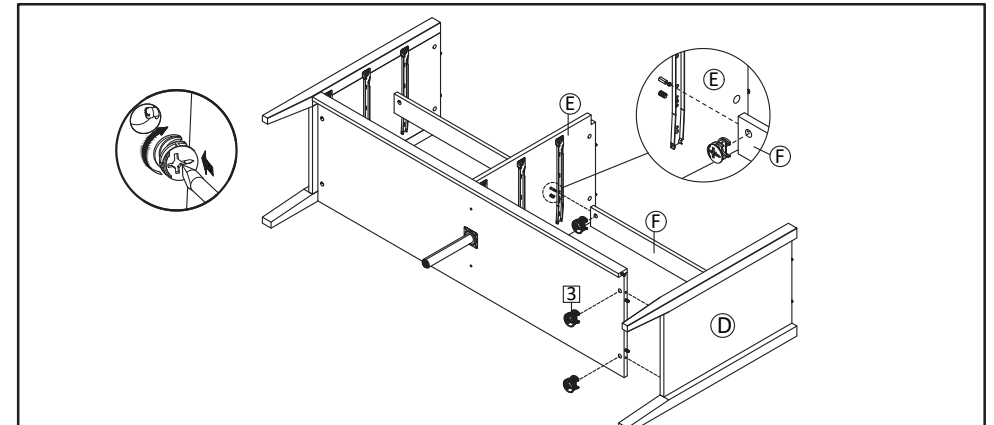
STEP13: First, work on 1 piece of Support Board 1 (F), insert Dowel $\varnothing 8 \times 30 \text{mm}$ (HW5) and Dowel $\varnothing 8 \times 50 \text{mm}$ (HW8). Insert Double End Cambolt (HW2). Carefully see the figure of how to determine correct position of which side to insert the Double End Cambolt (HW2) and Dowel $\varnothing 8 \times 50 \text{mm}$ (HW8). Attach the Support Board (F) to the Side Board Left (C) with laminated edge facing front, secure with Camlock Big (HW3) and tighten using screwdriver.



STEP14: Arrange the Bottom Board (B) and Side Board Left (C) as per image. Attach the Side Board Left (C) by Inserting the Dowel and Cambolt of the Support Board 1 (F) part into hole in Center Board (E), make sure the Double End Cambolt go through the hole until visible at the other side. Secure the Camlock Big at Bottom Board with screwdriver as figure.



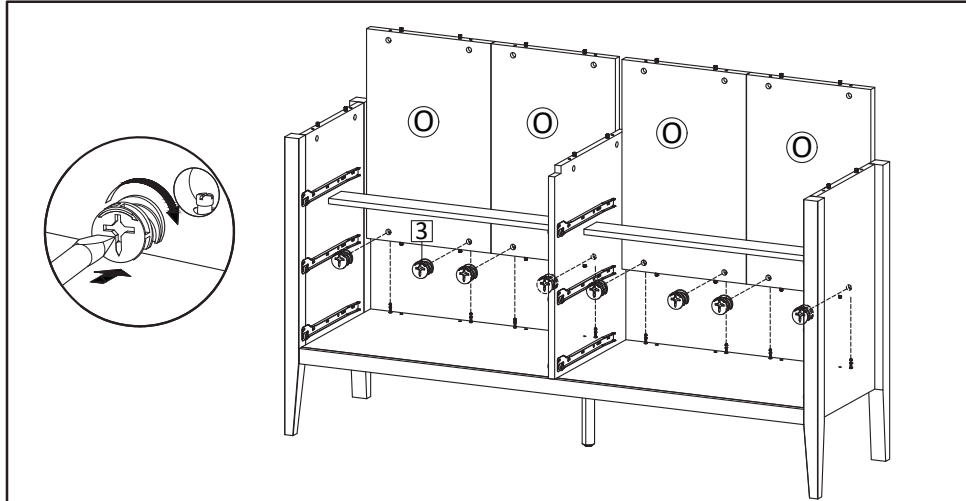
STEP15: Insert Dowel $\varnothing 8 \times 30 \text{mm}$ (HW5) into remaining Support Board 1 (F), carefully see the figure. Attach the Support Board to the Side Board Right (D) with laminated edge facing front, secure with Camlock Big (HW3) and tighten using screwdriver.



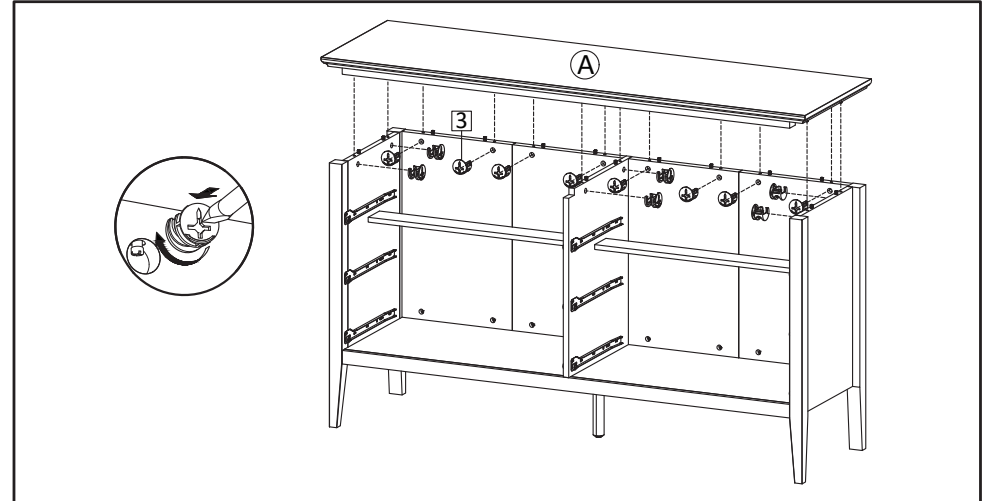
STEP16: Install the Side Board Right (D) by Inserting the Dowel and Cambolt of the Support Board 1 (F) part into hole in Center Board (E), insert Camlock Big (HW3) and tighten it using screwdriver.

PREPARATION

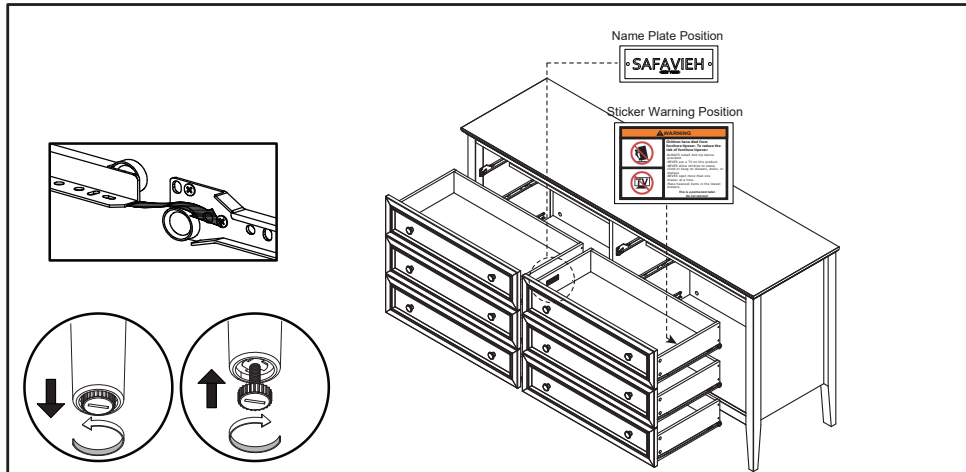
- *Before beginning assembly of product, make sure all parts are present. Compare parts with part contents list and hardware contents list.
- *If any part is missing or damaged, do not attempt to assemble the product.
- *Estimated Assembly Time: 120 minutes.
- *Tools Required for Assembly (included): Allen Key
- *If you are having difficulty, our friendly Customer Care team is always here to help. Please email customersupport@safavieh.com



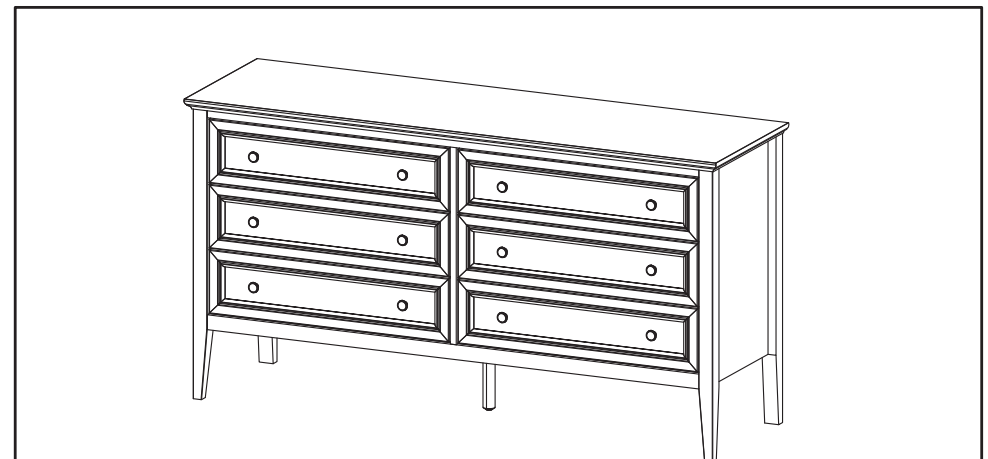
STEP17: Bring the product upright. Attach the Back Board (O) into Bottom Board (B) Secure with Camlock Big (HW3) and tighten it using screwdriver as figure.



STEP18: Attach the Top Board (A), secure with Camlock Big (HW3) and tighten it using screwdriver as figure.



STEP19: Hold the sides of drawer, position the wheel of Drawer Runner at drawer back and the wheel of Drawer Runner at side boards, according to the image. Slide in the drawers one by one into the Sideboard. Place your furniture on level floor. The legs come with adjustable leveller, adjust it as needed until your furniture sit steady on the floor.



STEP20: Assembly is complete.

TIPPING RESTRAINTS KIT INSTALLATION GUIDANCE

Different wall materials require unique wall fasteners.

The wall plugs (AA2) and screws (AA3) are designed for fixing to concrete walls only.

Please consult your local hardware store to ensure you are using the correct hardware for your wall type.

