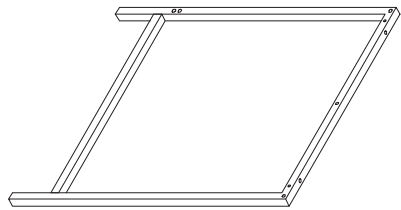
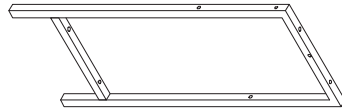


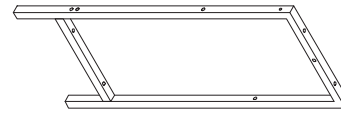
# ASSEMBLY INSTRUCTIONS



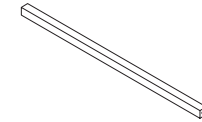
① x1pc



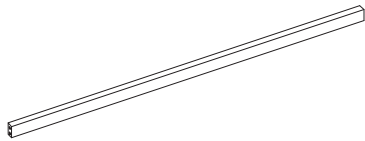
② x1pc



③ x1pc



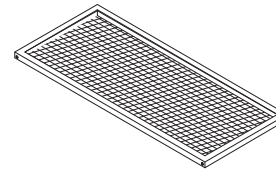
④ x1pc



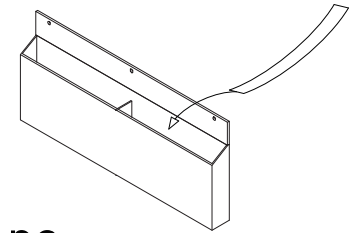
⑤ x1pc



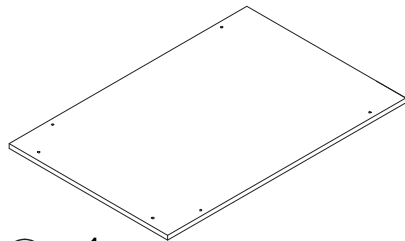
⑥ x2pcs



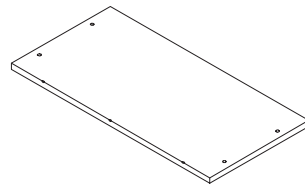
⑦ x1pc



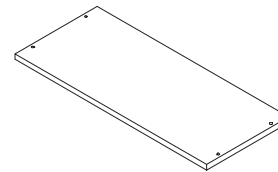
⑧ x1pc



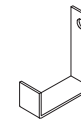
⑨ x1pc



⑩ x1pc



⑪ x1pc



⑫ x1pc

Ax6pcs



Bx12pcs




M6X35mm

Cx14pcs



M6X30mm

[  Screw C is silver. Don't mix them. Misuse of screws will damage the table. ]

Dx5pcs



M6X12mm

Ex1pc



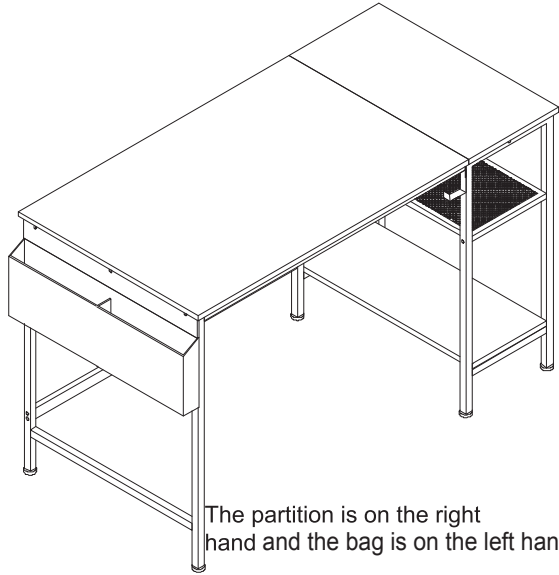
Fx3pcs



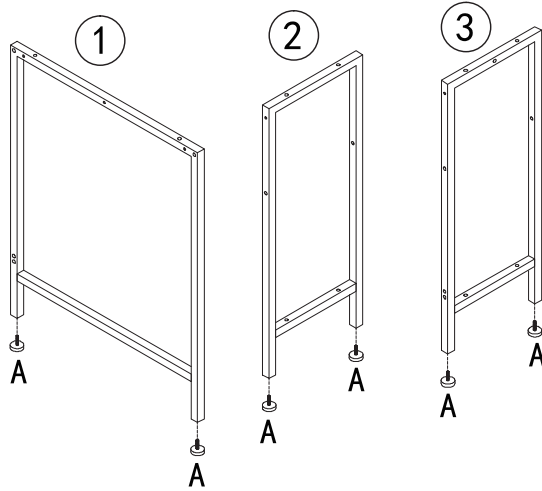
8X30mm

# ASSEMBLY INSTRUCTIONS

## Sketch Map A

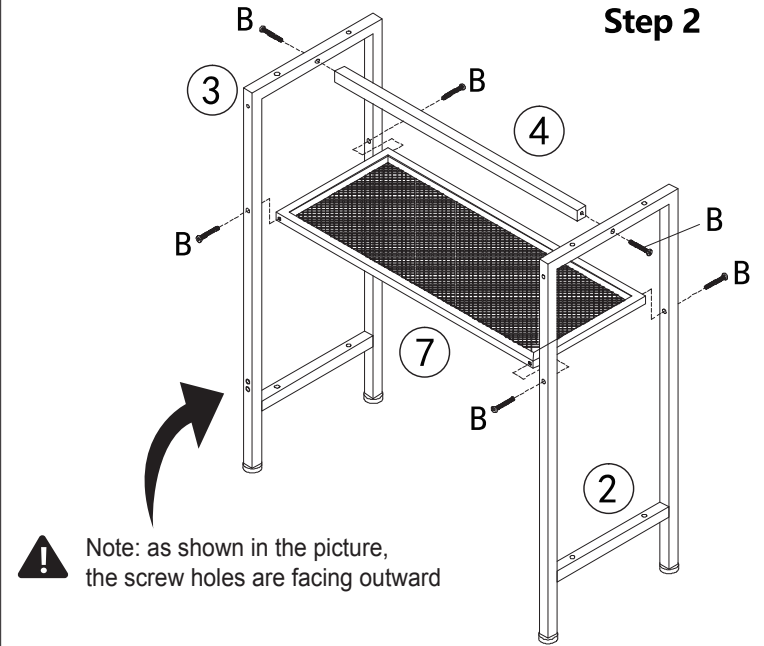


## Step 1



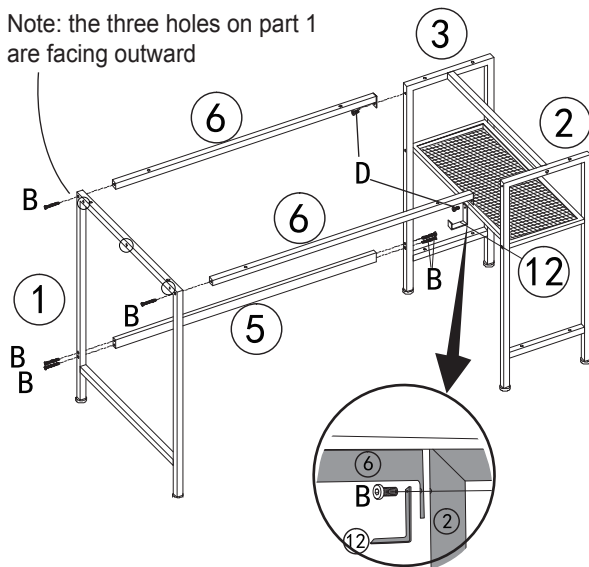
Attach Part A to the bottom of Frame ① ② ③

## Step 2

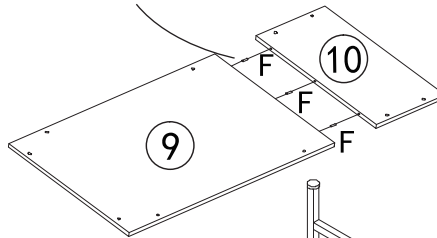


## Step 3

Note: the three holes on part 1 are facing outward



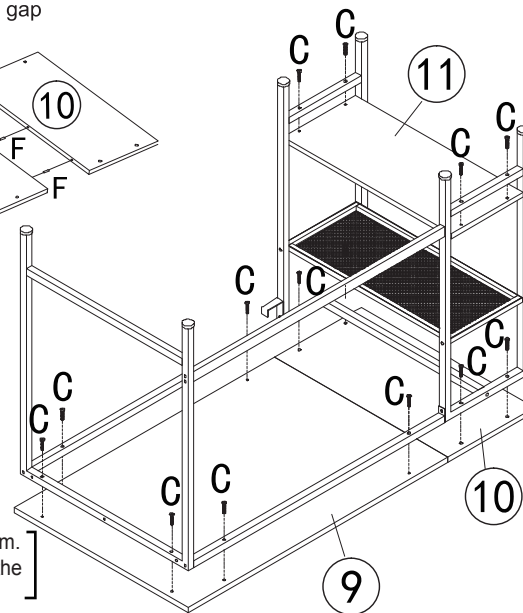
Use Part F to connect part ⑨ and ⑩, please make sure there is no gap between two boards.



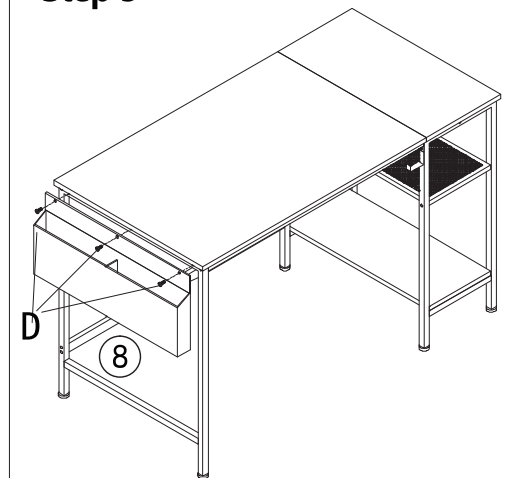
Turn the table frame upside down assemble it as shown

**!**  
Screw C is silver. Don't mix them.  
Misuse of screws will damage the table.

## Step 4



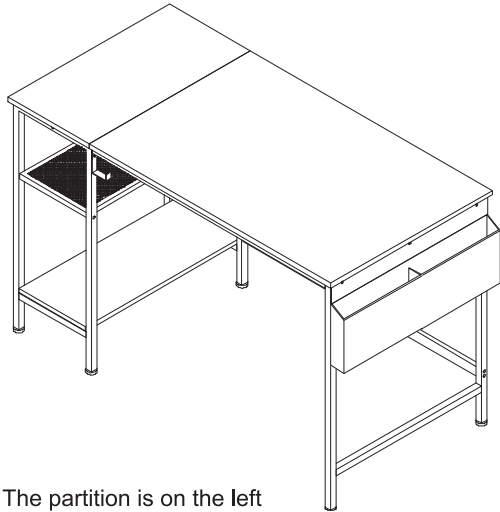
## Step 5



Assemble the bag and tighten all screws again, adjusting Part A if necessary to fit the uneven ground and complete the assembly

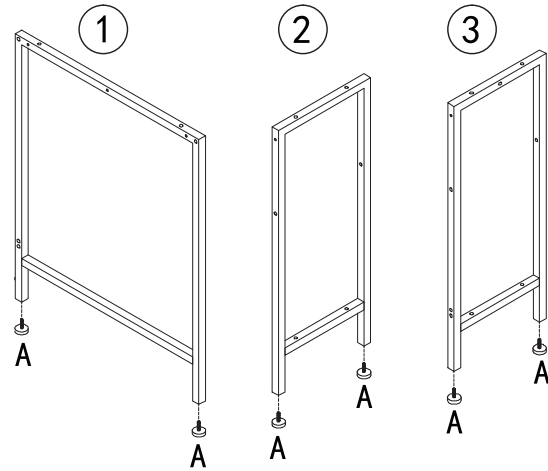
# ASSEMBLY INSTRUCTIONS

## Sketch Map B



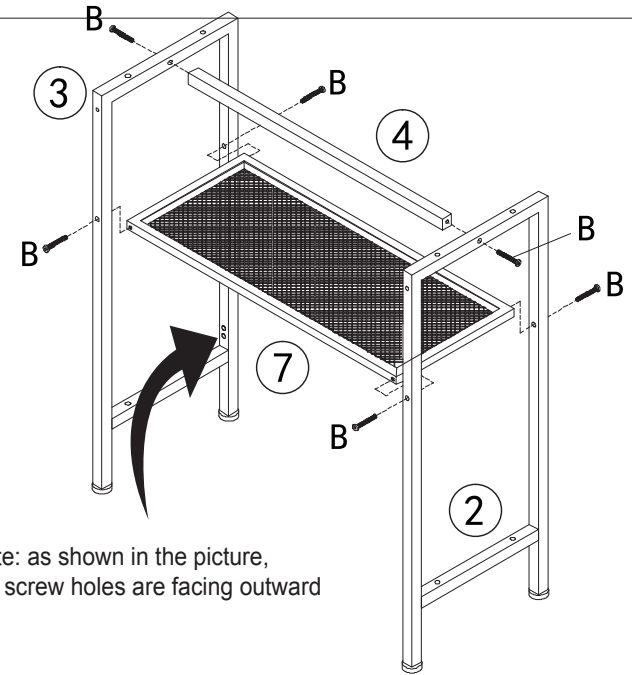
The partition is on the left hand and the bag is on the left hand.

## Step 1



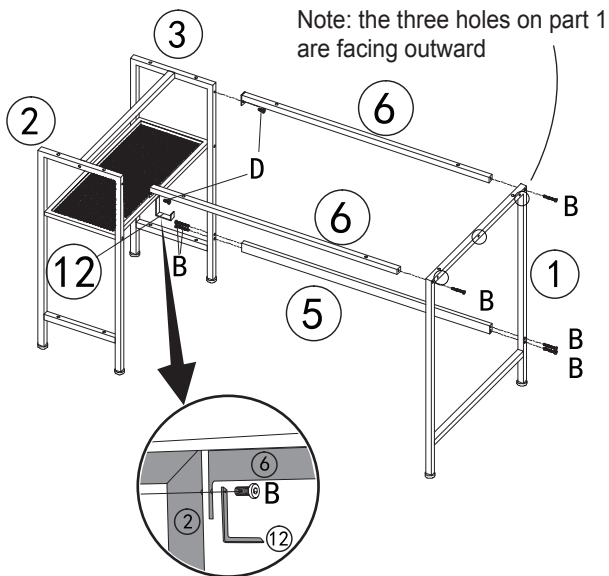
Attach Part A to the bottom of Frame ① ② ③

## Step 2



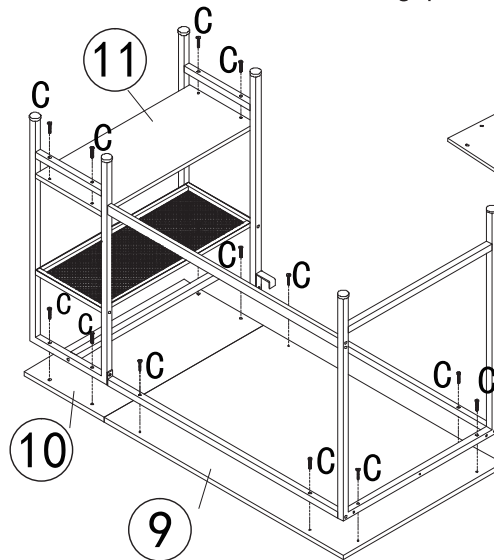
**!** Note: as shown in the picture, the screw holes are facing outward

## Step 3

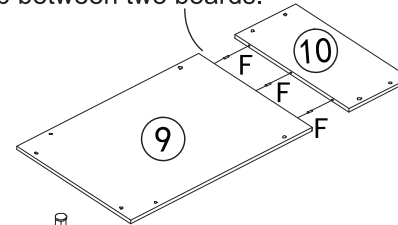


Note: the three holes on part 1 are facing outward

## Step 4



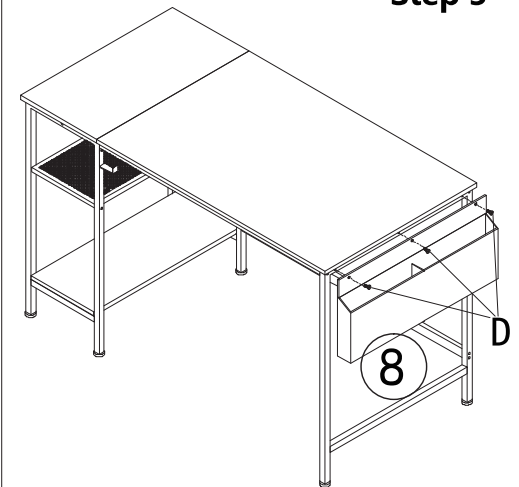
Use Part F to connect part 9 and 10, please make sure there is no gap between two boards.



Turn the table frame upside down assemble it as shown

**!** Screw C is silver. Don't mix them. Misuse of screws will damage the table.

## Step 5



Assemble the bag and tighten all screws again, adjusting Part A if necessary to fit the uneven ground and complete the assembly