

**CUSTOMER ASSEMBLY
INSTRUCTION**

MAHOGANY FOUR POST BED

1. Head board x 1 pc

2. Foot board x 1 pc

3. Siderail x 2 pcs

4. Center rail x 1 pc
(3 screws x 2)

5. FootBoard Long Post x 2 pcs

6. HeadBoard Post x 2 pcs

7. Short Post x 4 pcs

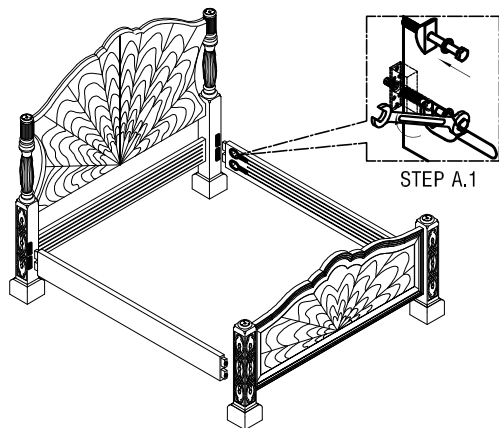
8. Half moon, bolt & nut x 4 sets

9. Center support x 1 pc
(4 screws)

10. Steel screw (50pcs)

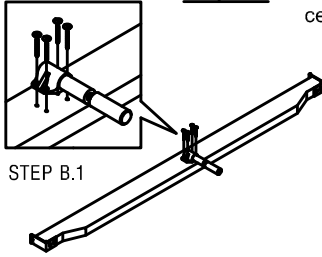
11. L-Support bracket x 8 pcs
(5 screws x 8)

A. Step A.1 : Tighten bolt with halfmoon and nut to connect side rails to headboard and footboard.



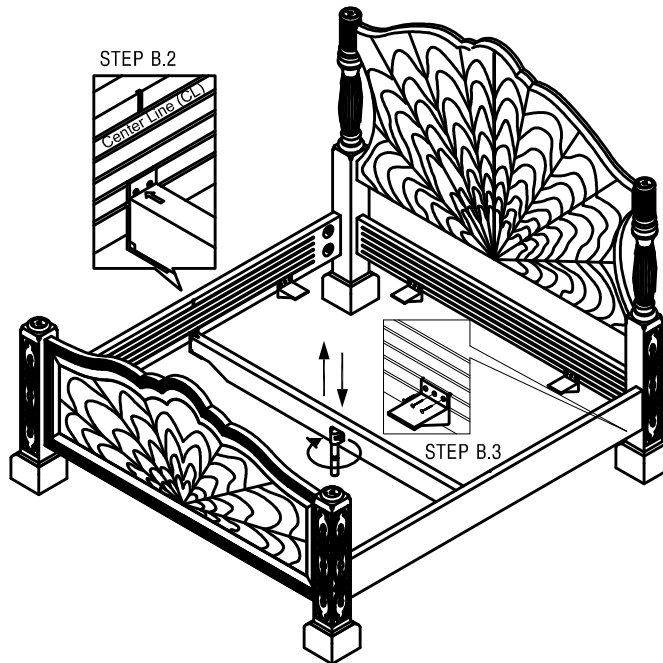
B.

Step B.1 : Screw center support and center rail together.



STEP B.1

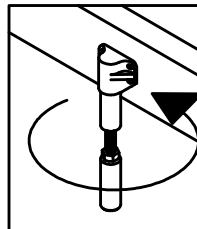
Step B.2 : Insert center rail to desired level at the Center Line (CL) and insert screws.



STEP B.2

STEP B.3

Step B.3 : Assemble 8 L-Support brackets to bed. It must be the same level as center L-Support position.



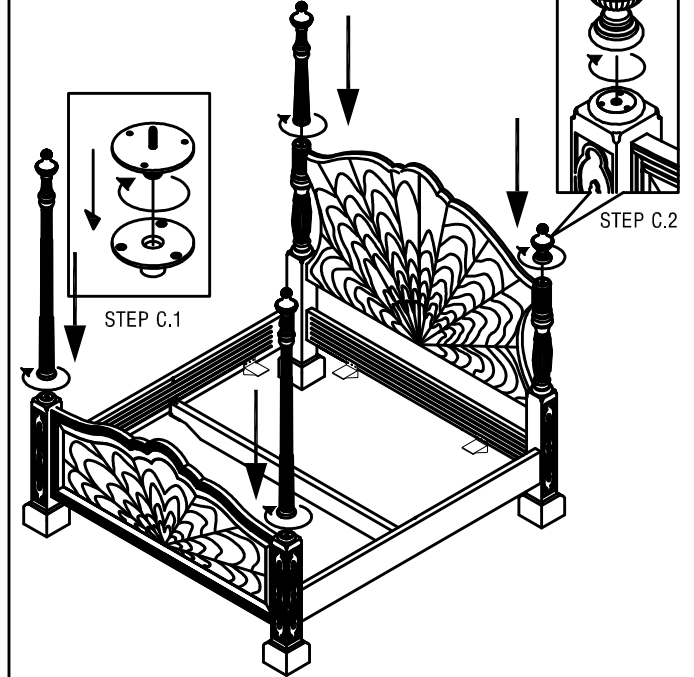
STEP B.4

Step B.4 : Adjust center support till the bed stand is stable on the floor.

C.

Step C.1 : Connect posts to Headboard & Footboard by turning clock wise.

Step C.2 : Replace with the short posts if needed.



STEP C.1

STEP C.2

D. Step D : Insert the box spring into the right middle position of bed. Then place the mattress above, align them for same position.

