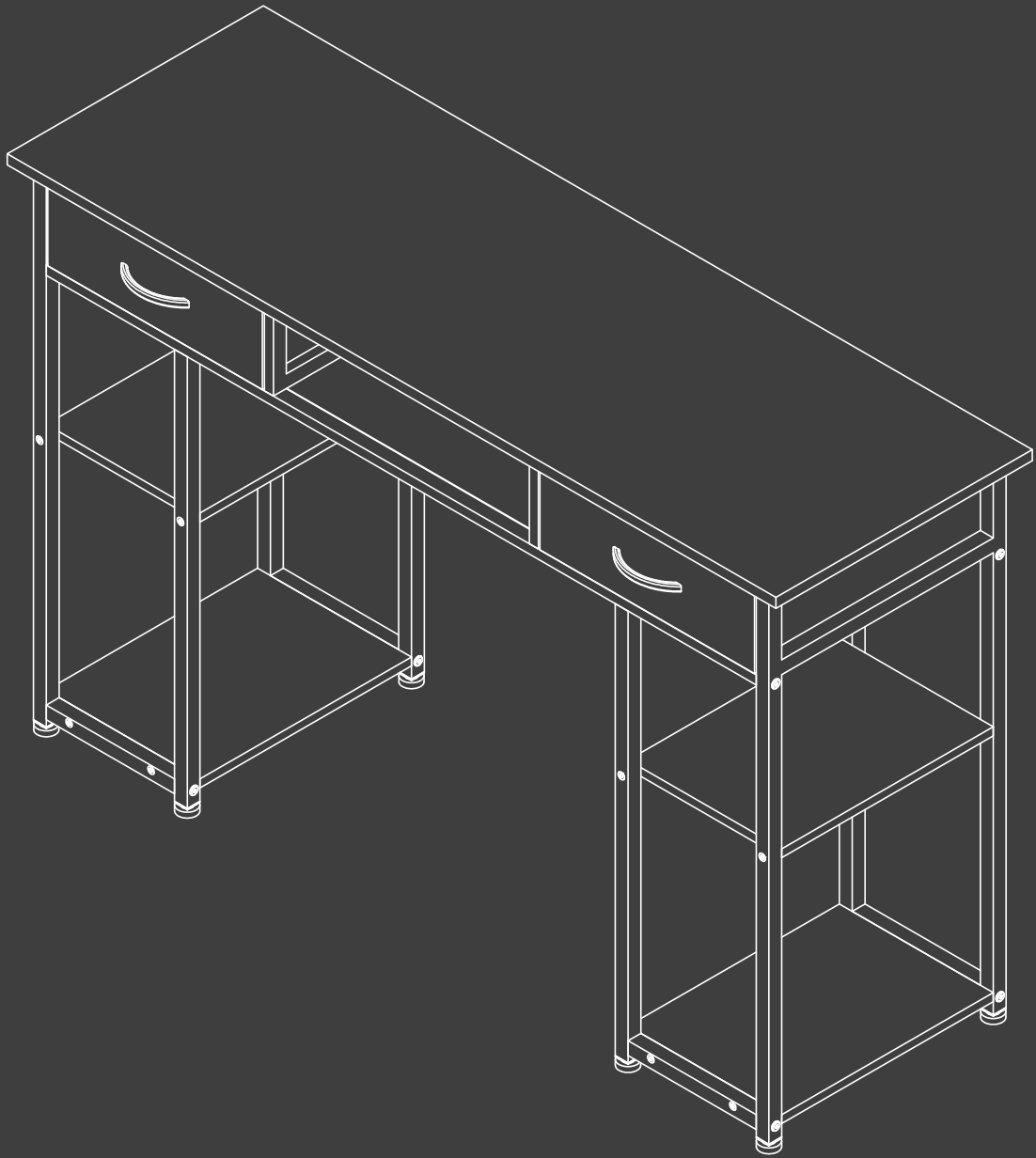
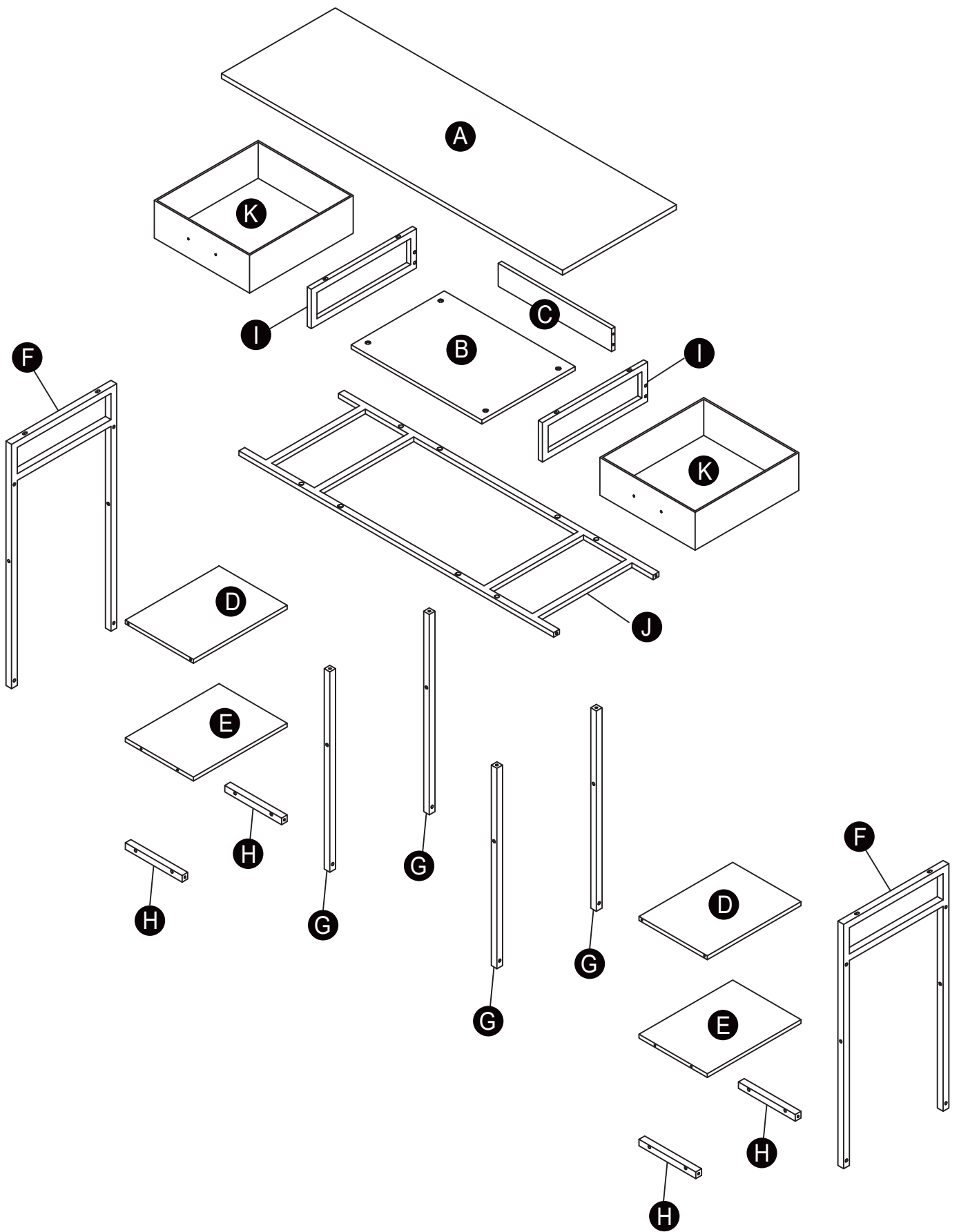


Home Office Desk

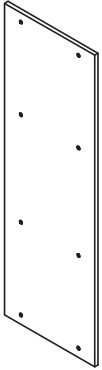
Instruction Manual



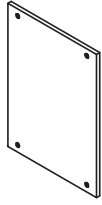


1 Package List

A X1



B X1



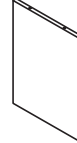
C X1



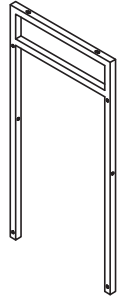
D X2



E X2



F X2



G X4



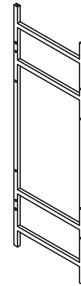
H X4



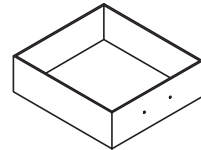
I X2



J X1

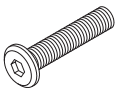


K X2



2 Supplied Parts and Hardware

1 X21



M6x28mm

2 X5



M4x8mm

3 X3



M6x12mm

4 X9



M6

5 X3

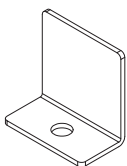


6 X21



M6.3x40mm

7 X2



8 X13

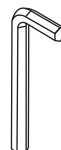


M6x20mm

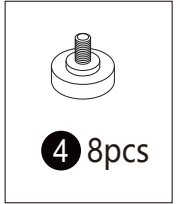
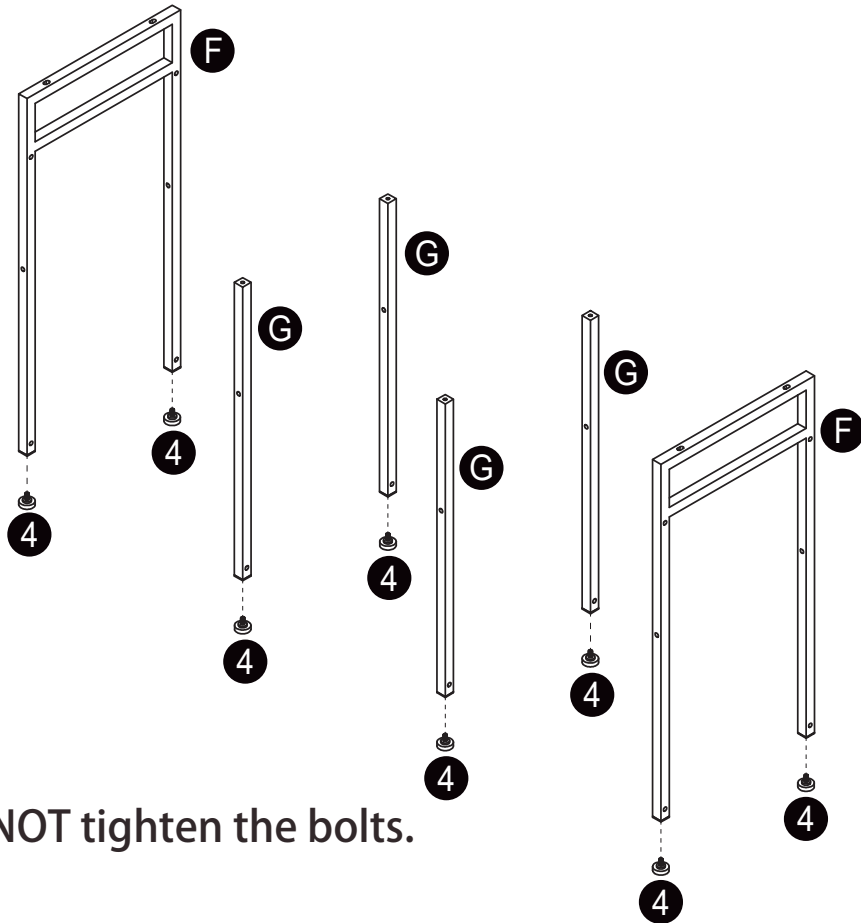
9 X1



10 X2

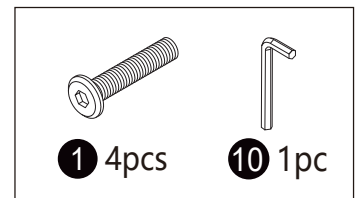
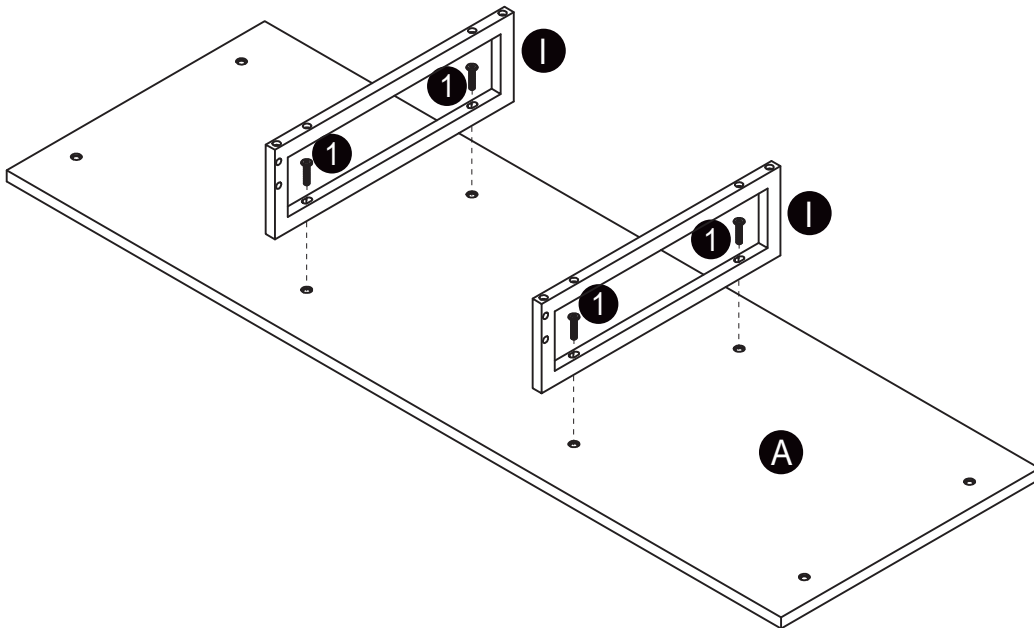


Step 1



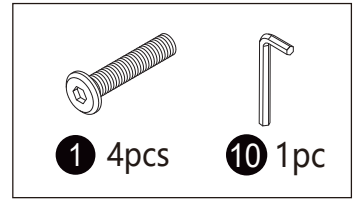
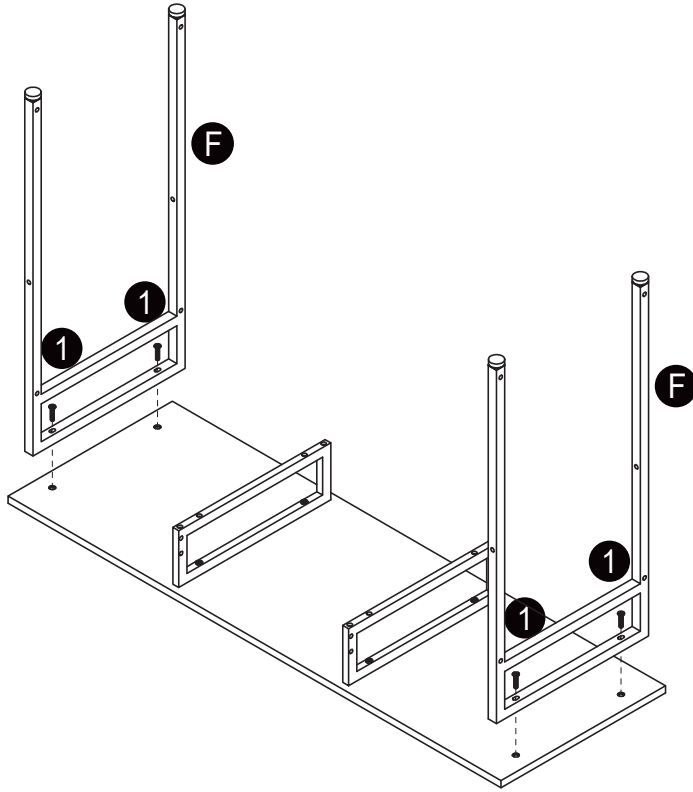
NOTE: DO NOT tighten the bolts.

Step 2



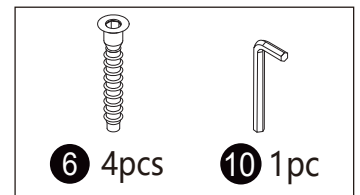
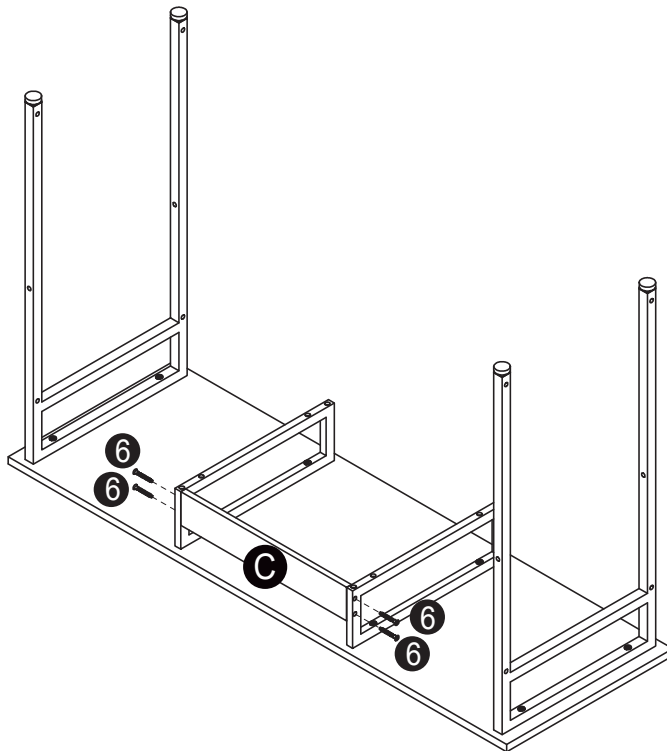
NOTE: DO NOT tighten the bolts.

Step 3



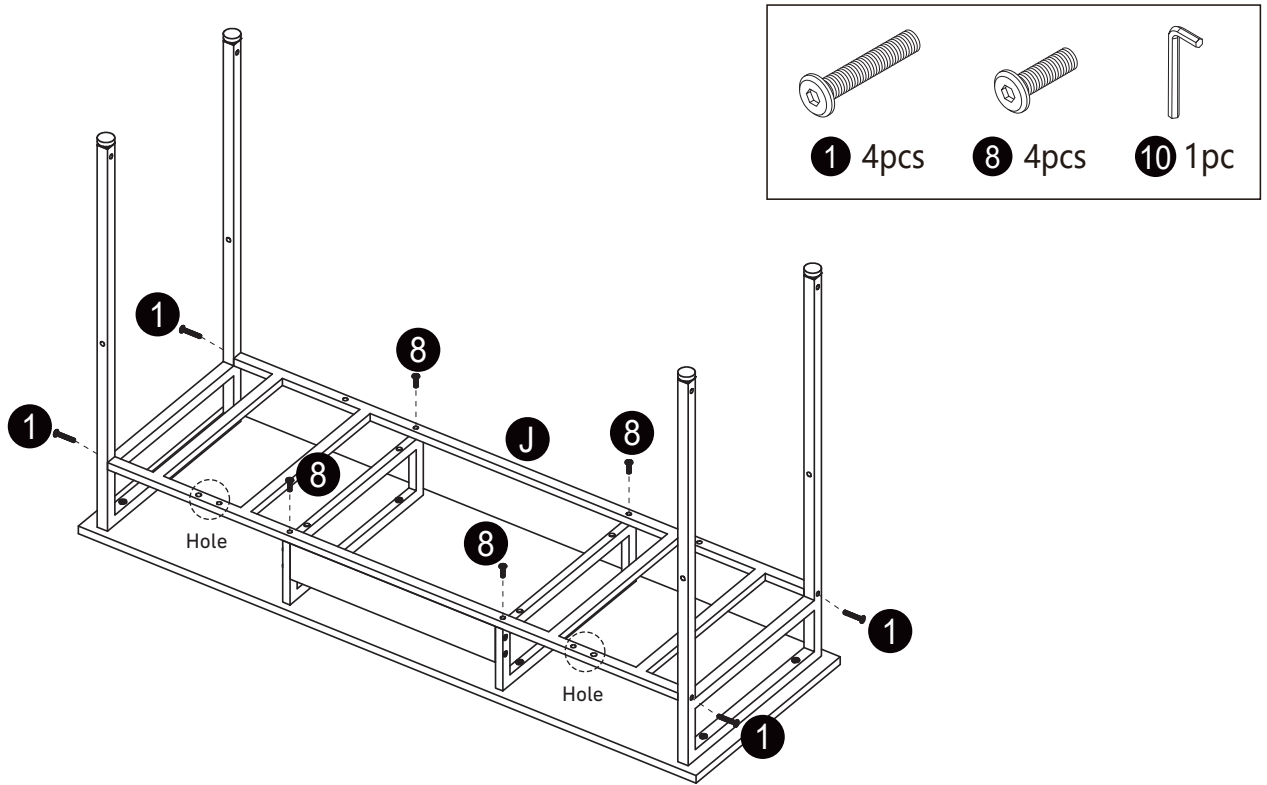
NOTE: DO NOT tighten the bolts.

Step 4



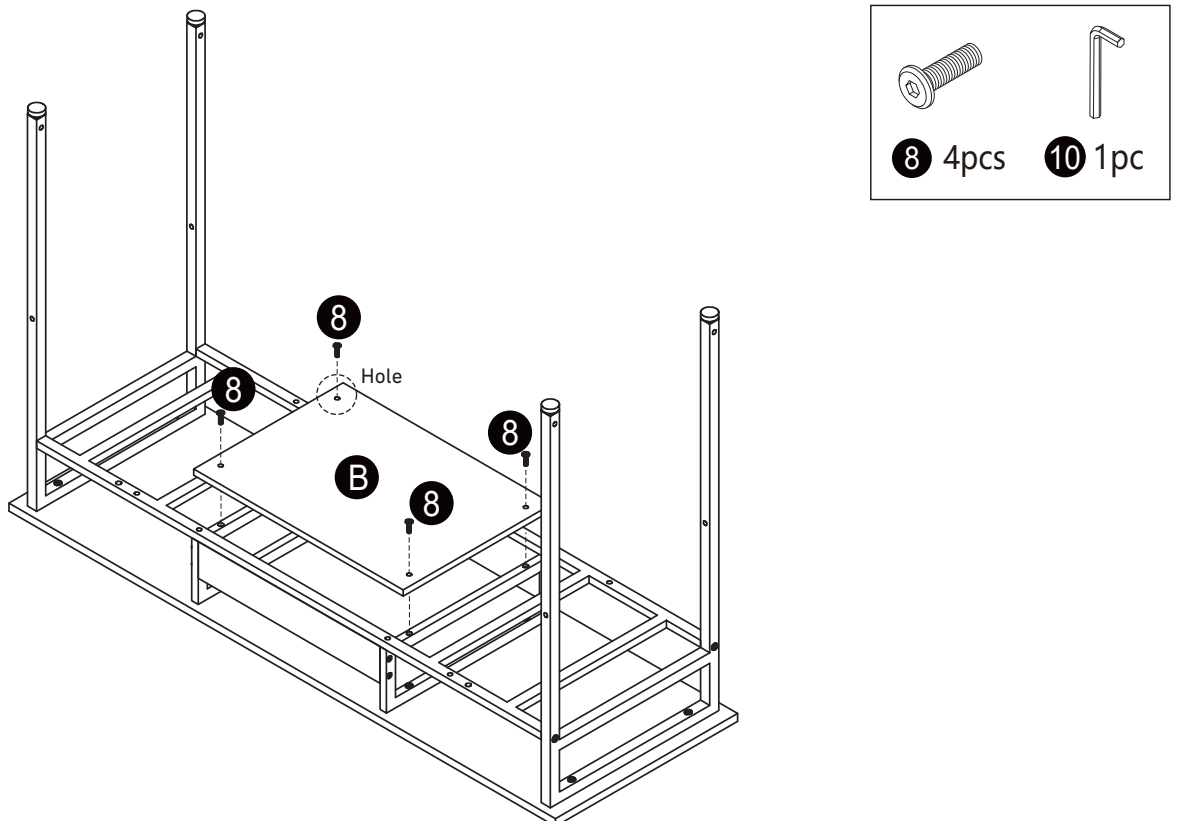
NOTE: DO NOT tighten the bolts.

Step 5



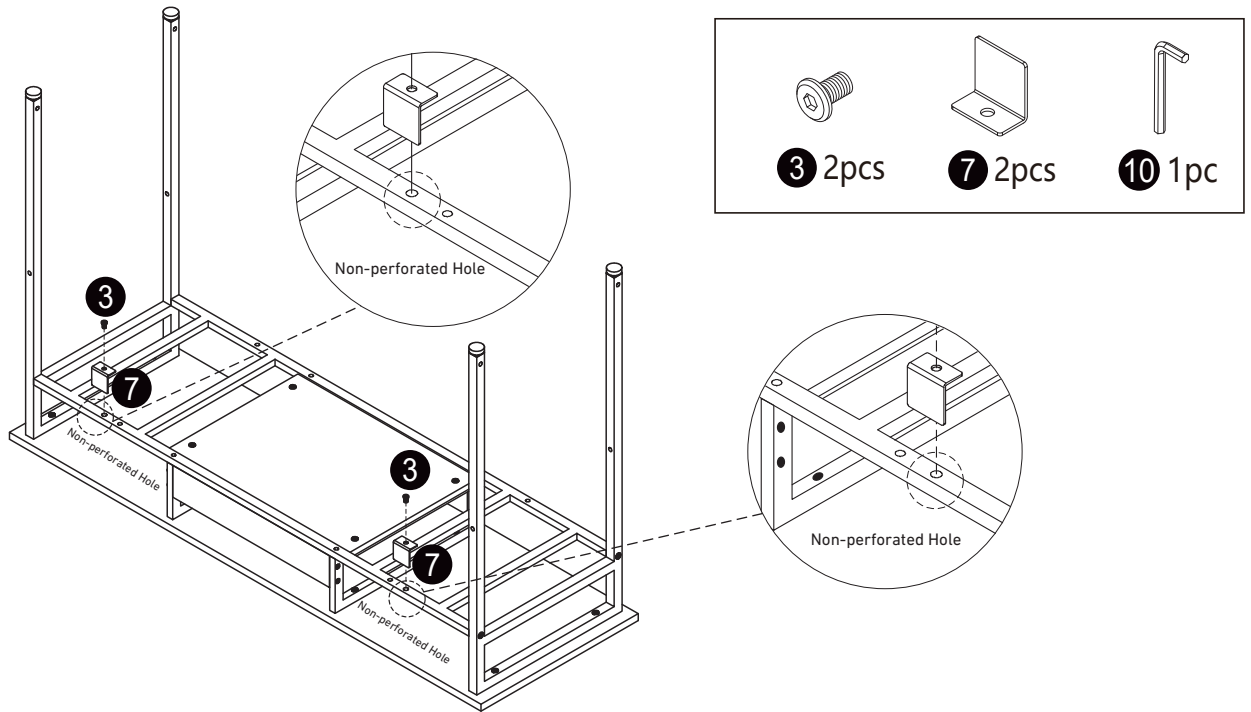
NOTE: DO NOT tighten the bolts.

Step 6



NOTE: DO NOT tighten the bolts.

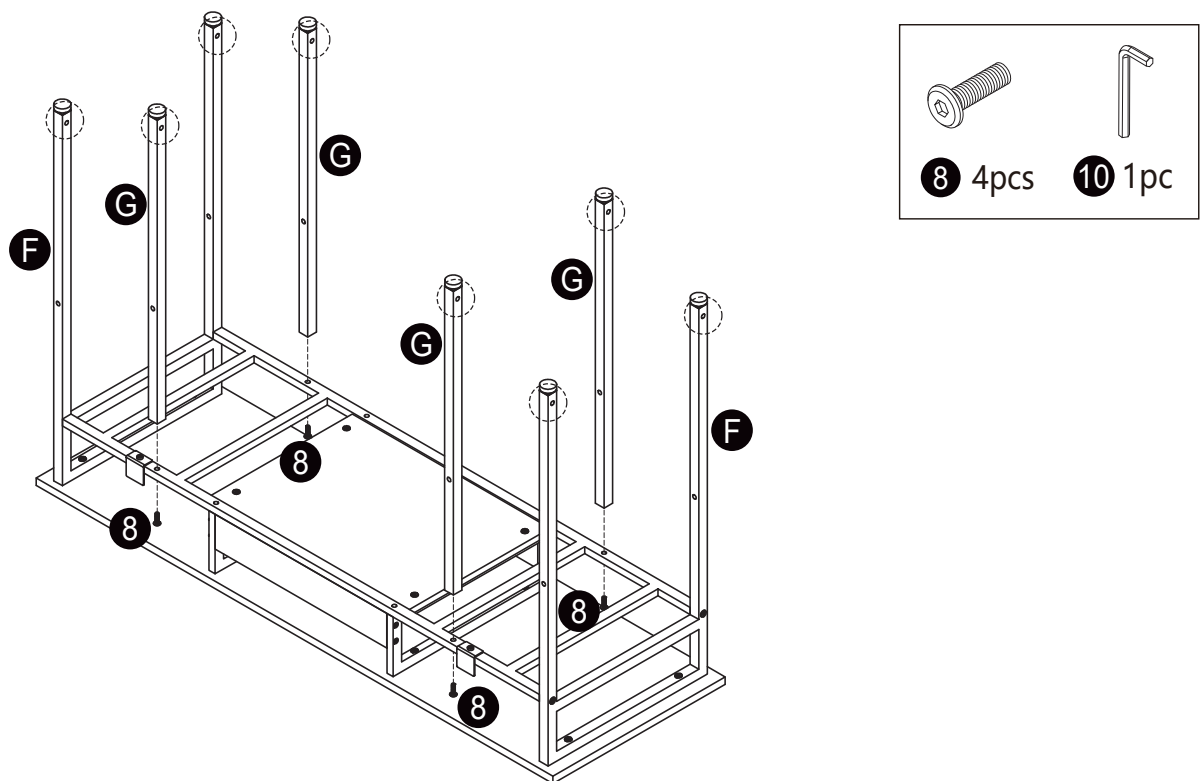
Step 7



Install component 7 on the non-penetrating hole.

NOTE: DO NOT tighten the bolts.

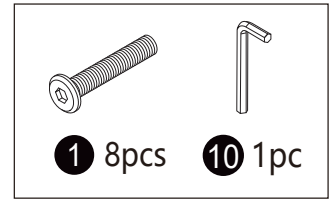
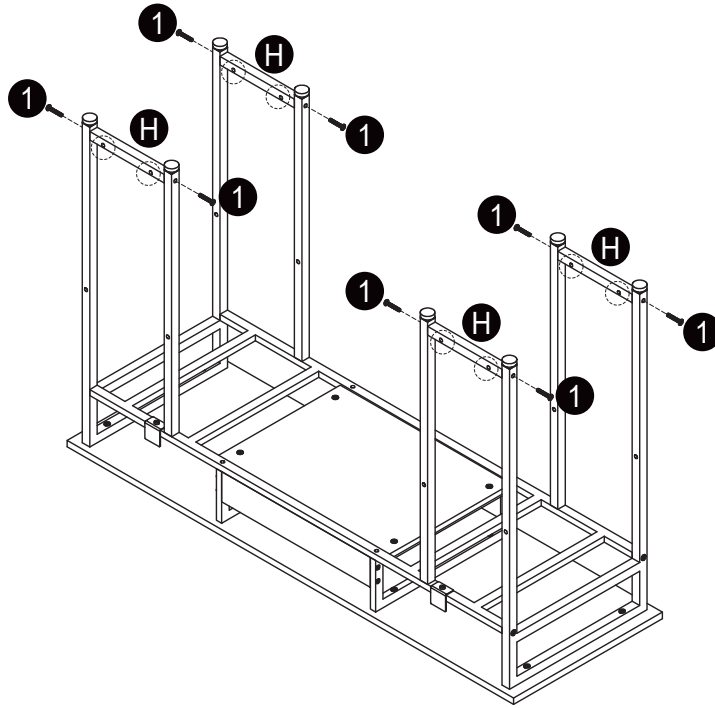
Step 8



Keep the holes in component 9 and component 8 in the same direction.

NOTE: DO NOT tighten the bolts.

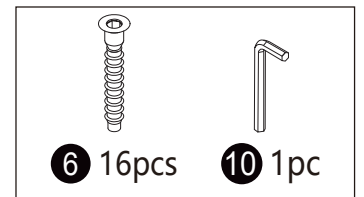
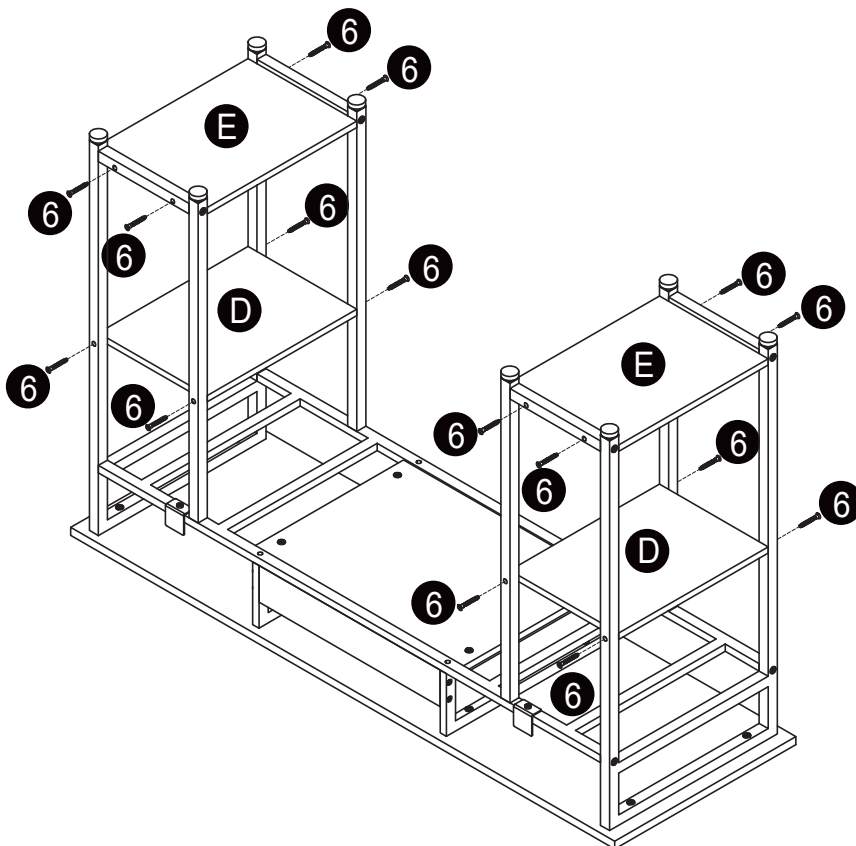
Step 9



Keep the direction of the holes on part **H** the same.

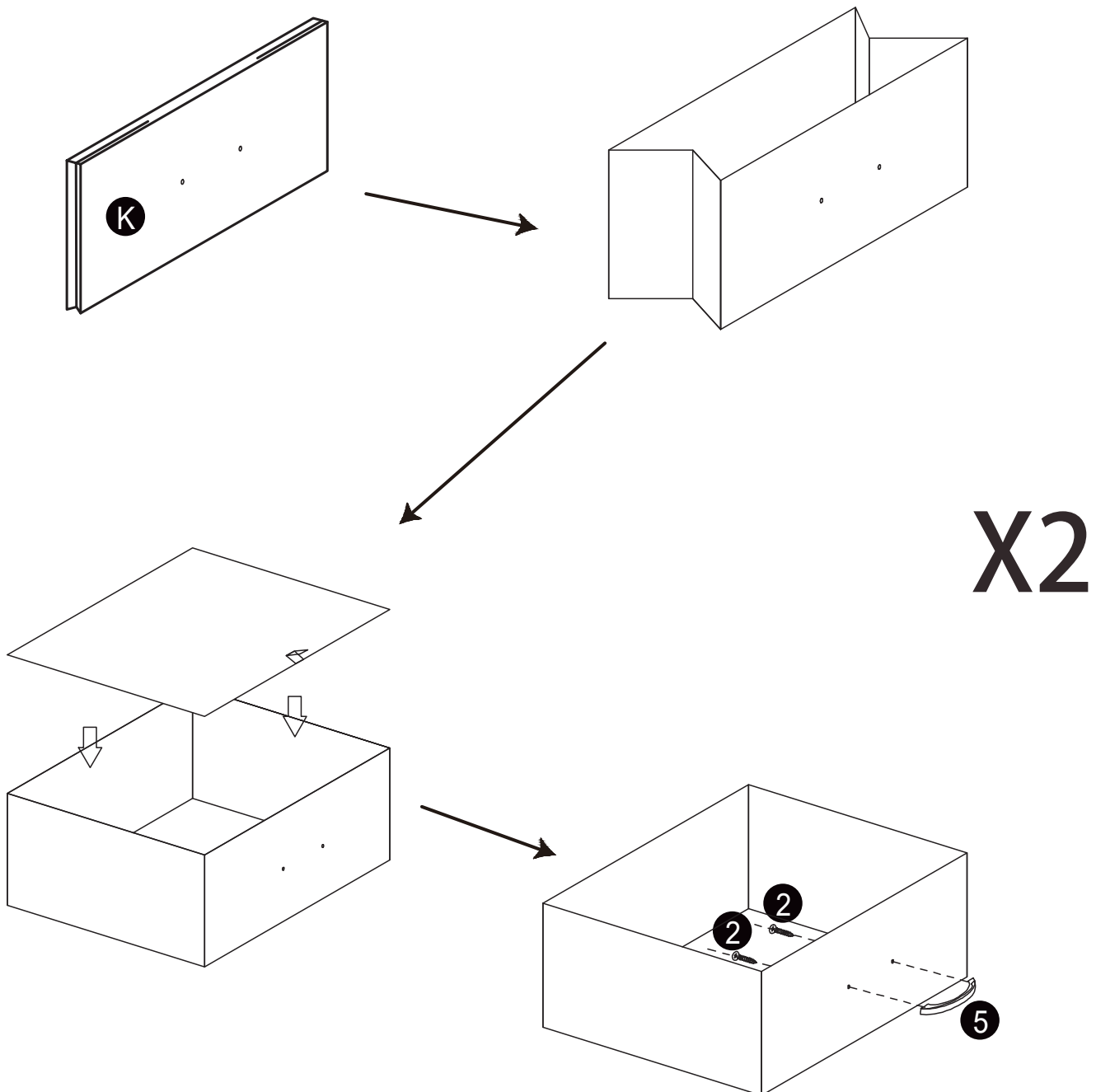
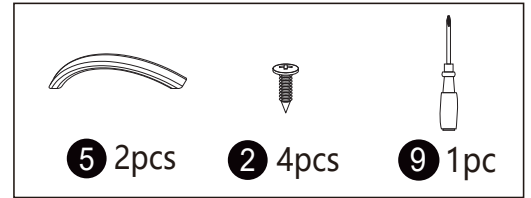
NOTE: DO NOT tighten the bolts.

Step 10



NOTE: DO NOT tighten the bolts.

Step 11



After all screws are tightened, if the table wobbles, use part 4 to adjust for leveling.

NOTE: Tighten all the bolts !

