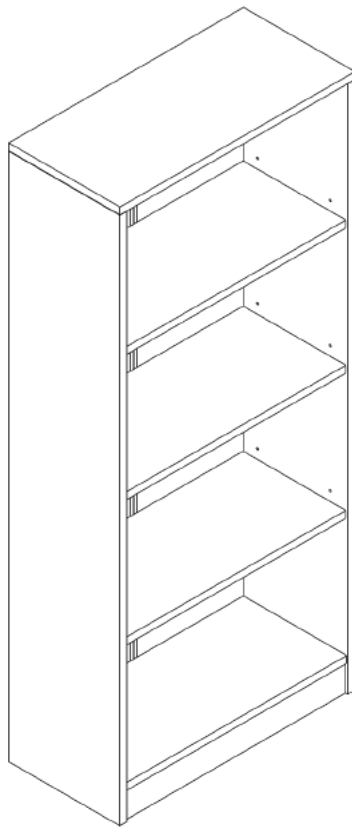


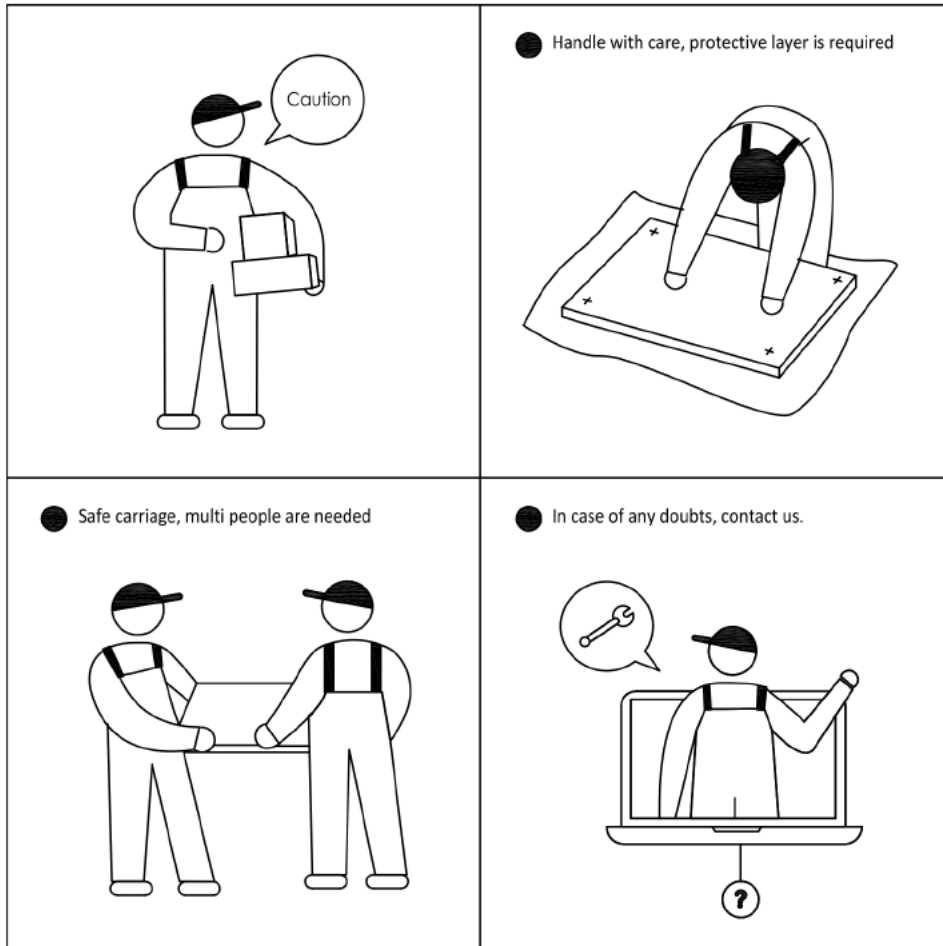
Assembly Manual

4-Tier Bookcase



Please read this manual carefully before any operation and keep it properly for future use.

Installation Notes

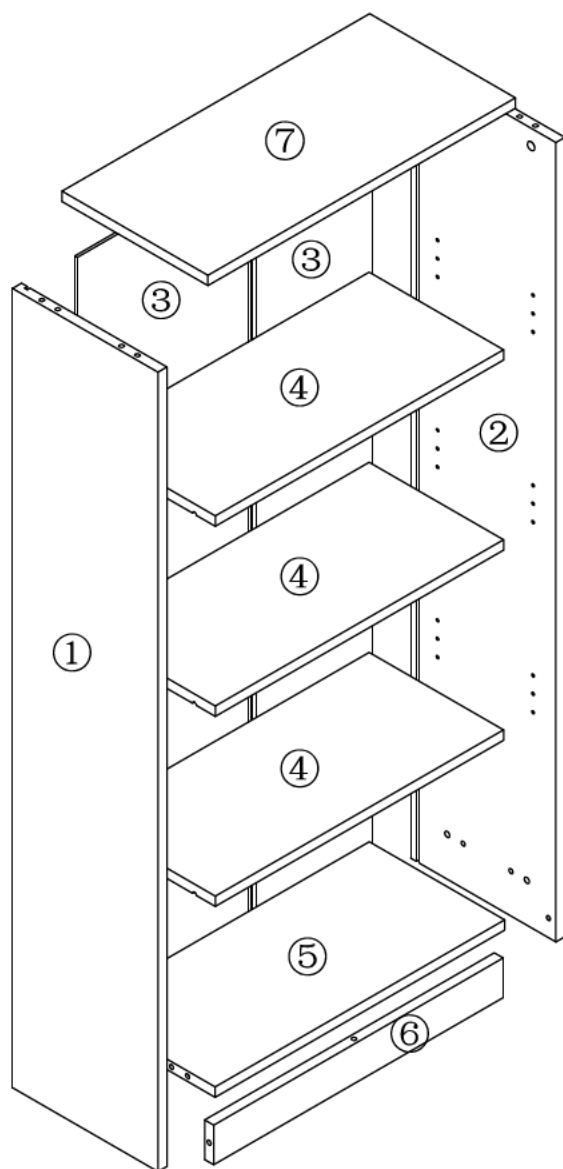


Attention: A Philips screwdriver is needed. Please prepare in advance as it is NOT included in the package. Don't tighten all the screws until all the pieces are fitted.

Contact us! We're here to help

You will enjoy **TWO YEARS WARRANTY** after the Date of the Purchase




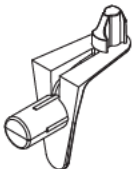
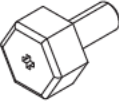

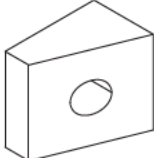
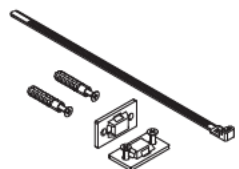

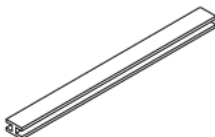
Exploded View



No.	Component	PCS
1	Left panel	1
2	Right panel	1
3	Back panel	2
4	Movable shelf	3

No.	Component	PCS
5	Bottom panel	1
6	Skirt panel	1
7	Top panel	1

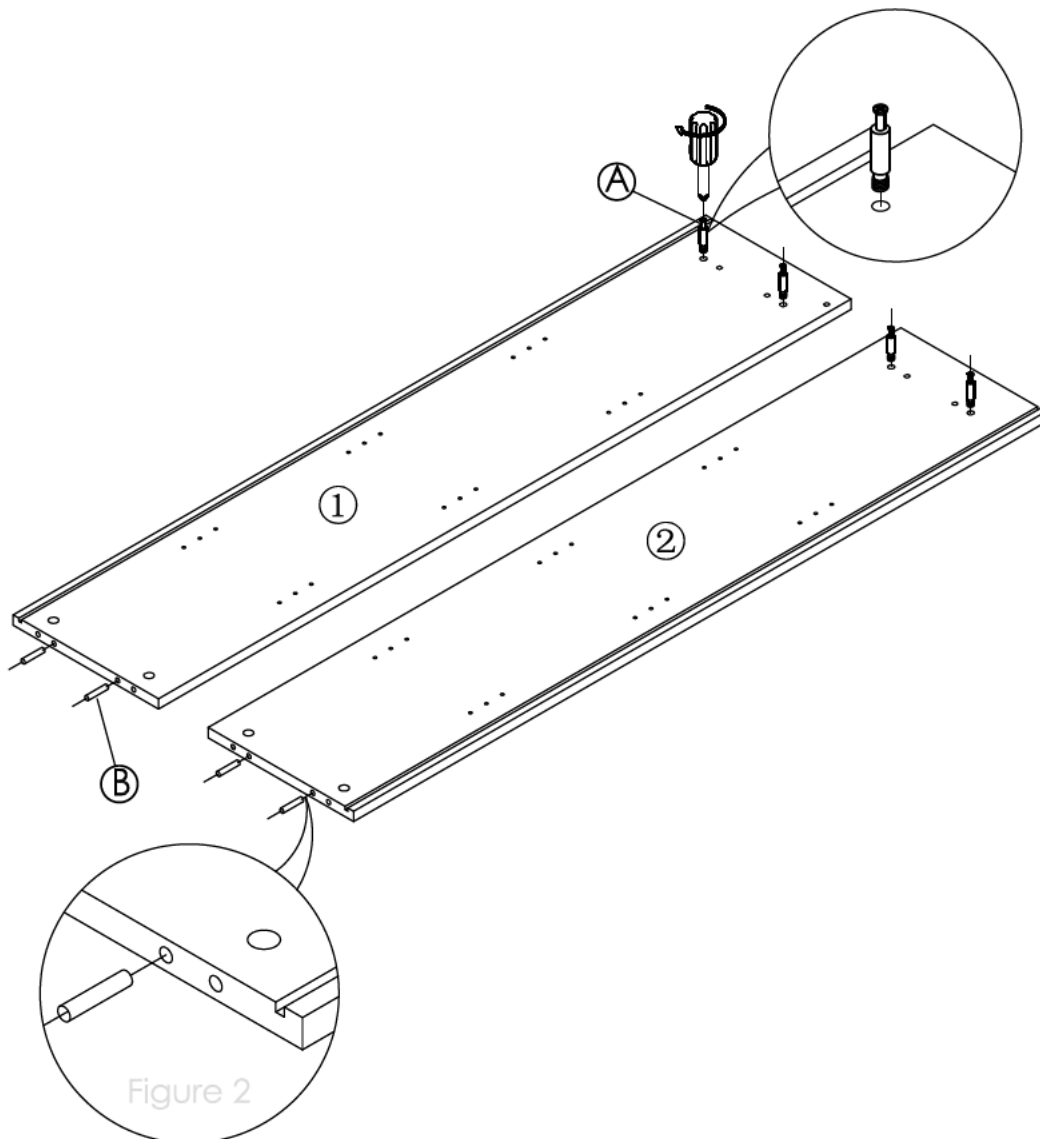
Components list



A			B			C		
								
Cam Lock Pin	M6x40	9+2	Wooden Dowel	Φ8x40	10+2	Self-tapping Screw	ST3*16	10+2
D			E			F		
								
Shelf Support	21*20.8*9	12+2	Adjustable Leg	M6*18	4+1	Cover for Klix Cam	Φ20x0.2	9+2
G			H			I		
								
Back Panel Stabilizer	15*14*10	6+2	Anti-Toppling Device		1	Klix Cam	Φ15x12	9+2
J								
								
Back Bar	1388*16*10	1						

Assembly Instruction

STEP 1

Assemble the left and right panels with cam lock pin (As shown in figure 1). Place the wooden dowels into the corresponding holes of left and right panels (As shown in figure 2).

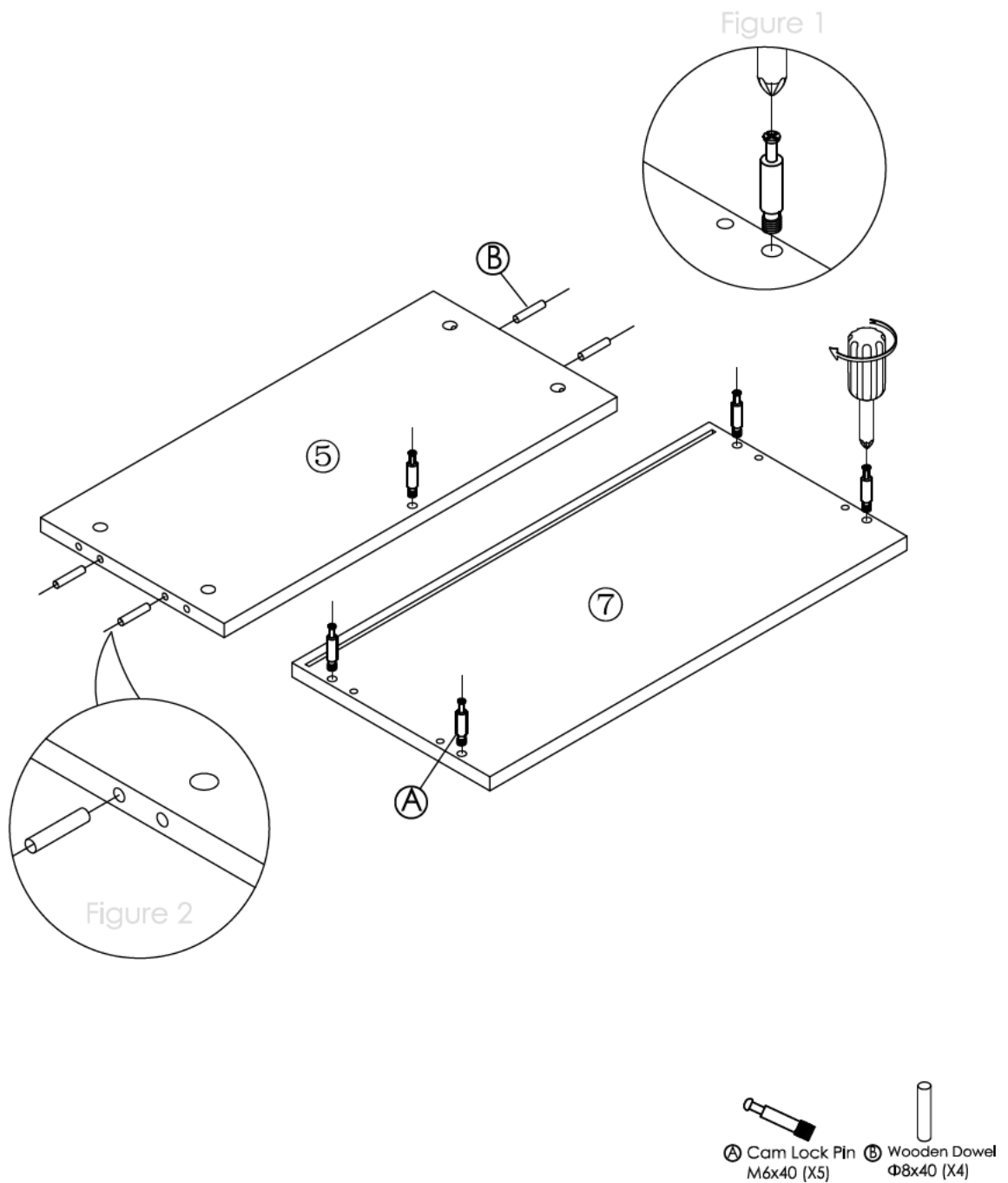


-  (A) Cam Lock Pin M6x40 (X4)
-  (B) Wooden Dowel Φ 8x40 (X4)

Assembly Instruction

STEP 2

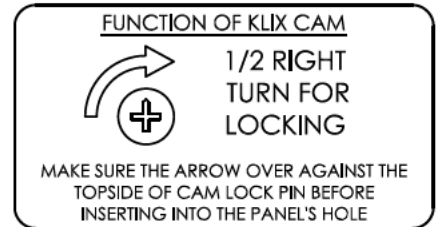
Assemble the top and bottom panels with cam lock pin (As shown in Figure 1 below).
Place the wooden dowels into the corresponding holes (As shown in Figure 2 below).



Assembly Instruction

STEP 3

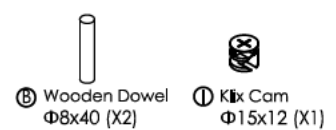
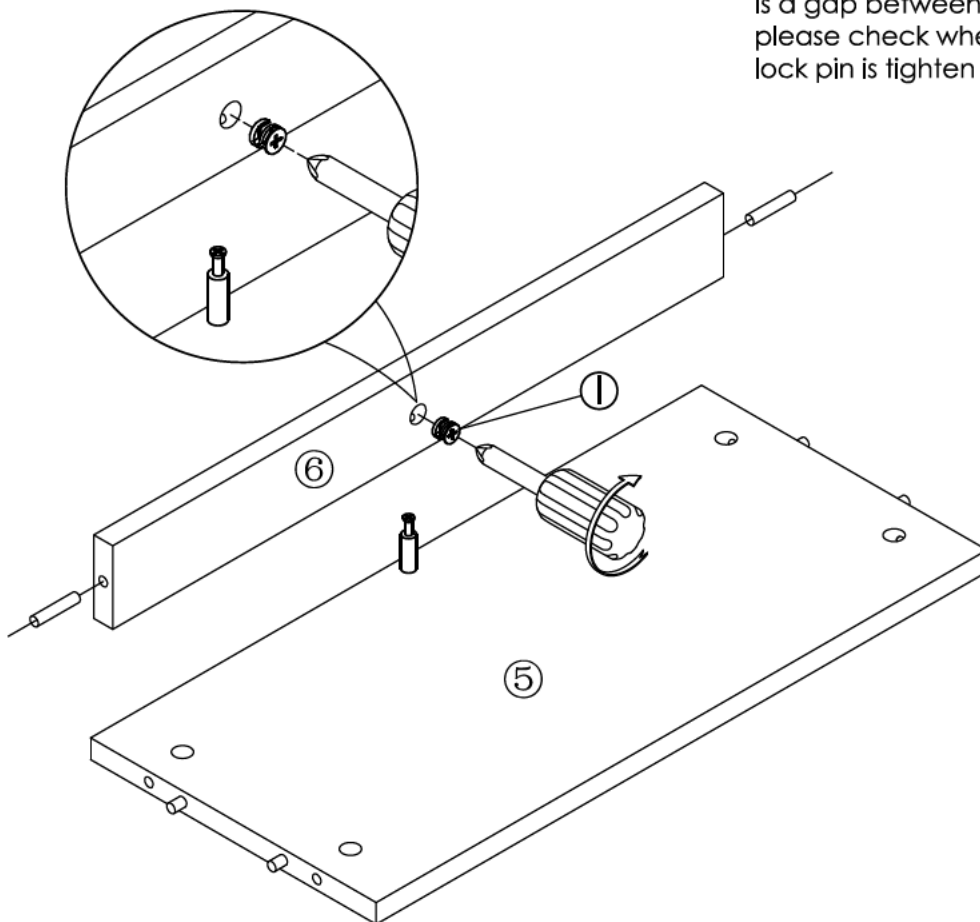
Attach the skirt panel to the bottom panel and lock the klix cam (as shown in Figure 1 below).



IMPORTANT!

After 1/2 right turn, if there is a gap between the panels, please check whether the cam lock pin is tighten enough.

Figure 1



Assembly Instruction

STEP 4

Connect the left and right panels to the bottom panel and lock the klix cam.

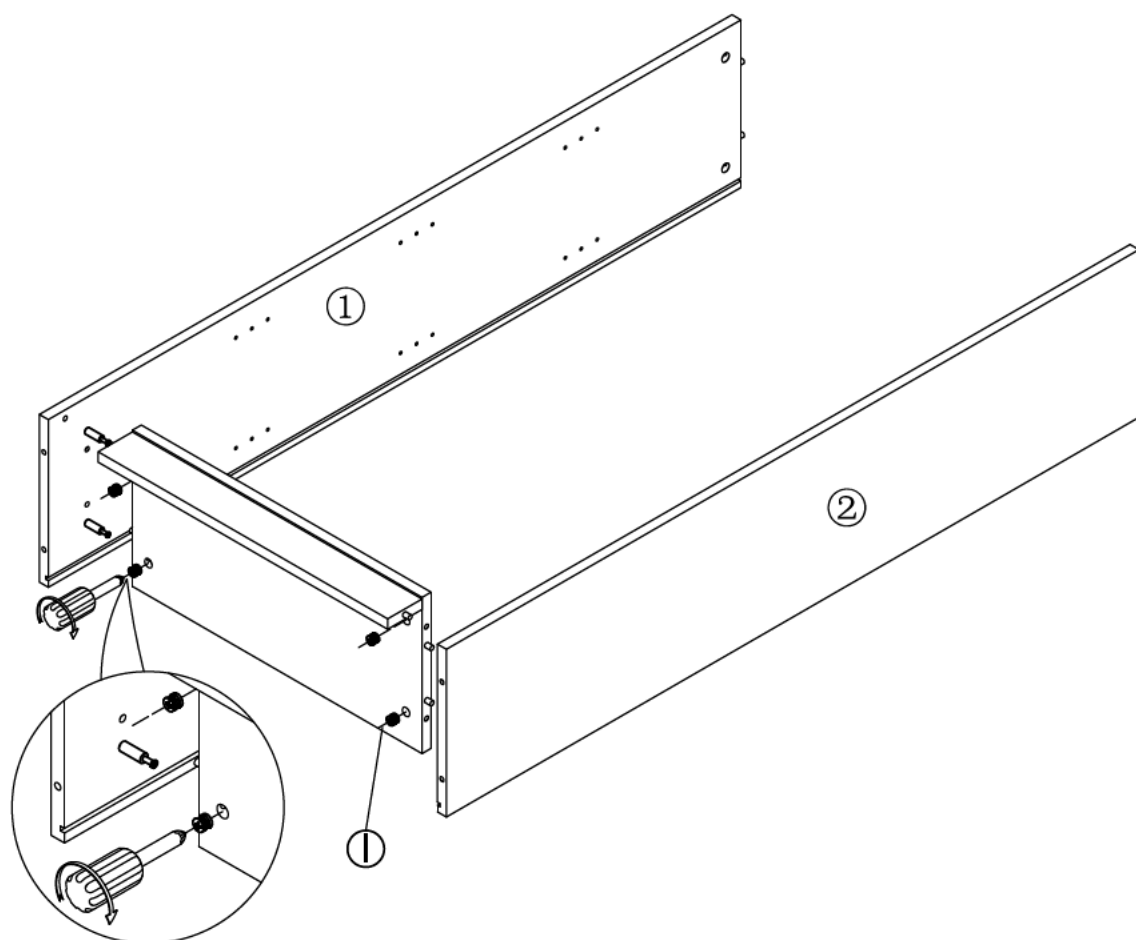


Figure 1

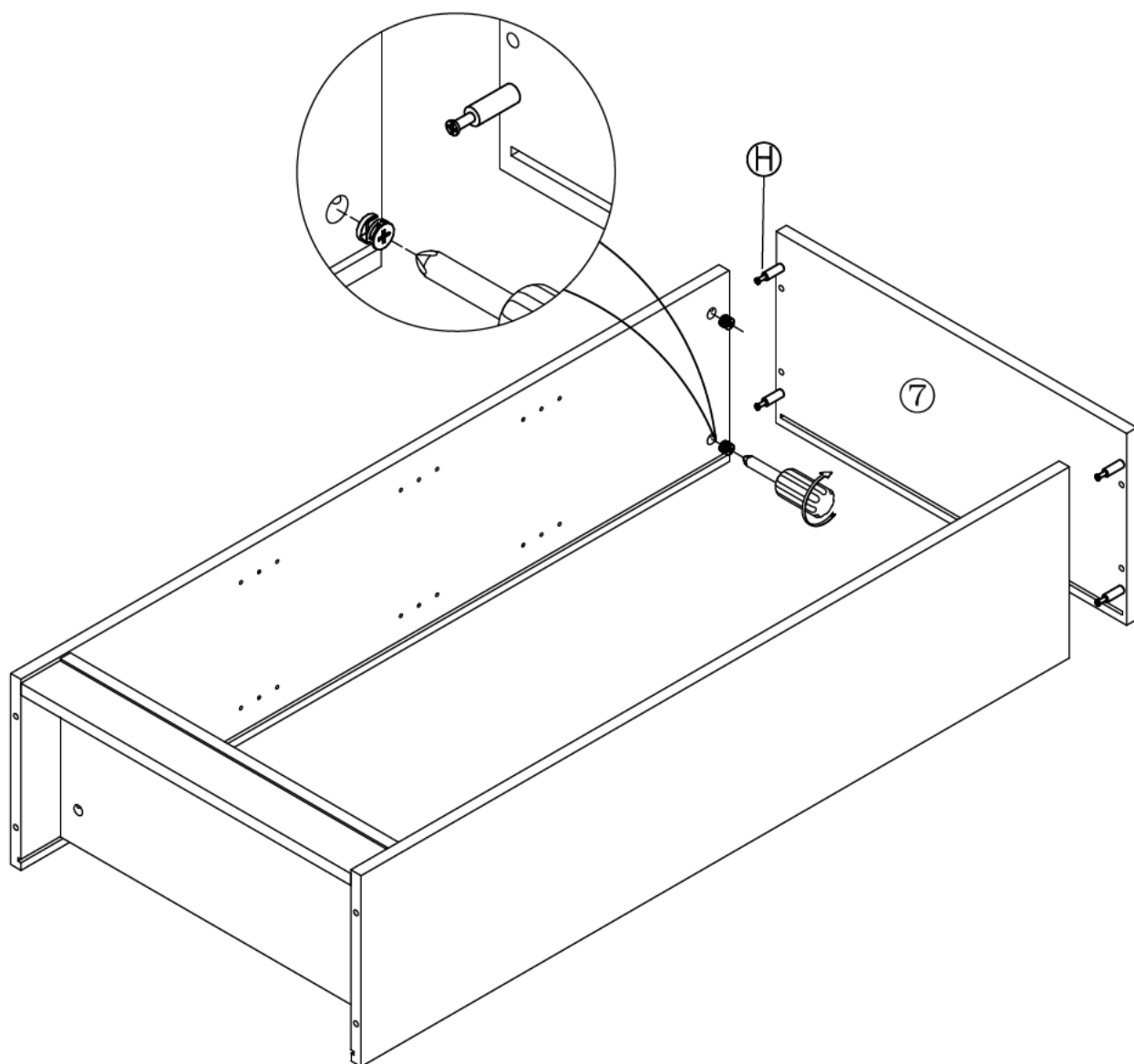

① Klix Cam
Φ15x12 (X4)

Assembly Instruction

STEP 5

Connect the assembled frame to the top panel and lock the klix cam (as shown in Figure 1 below).

Figure 1

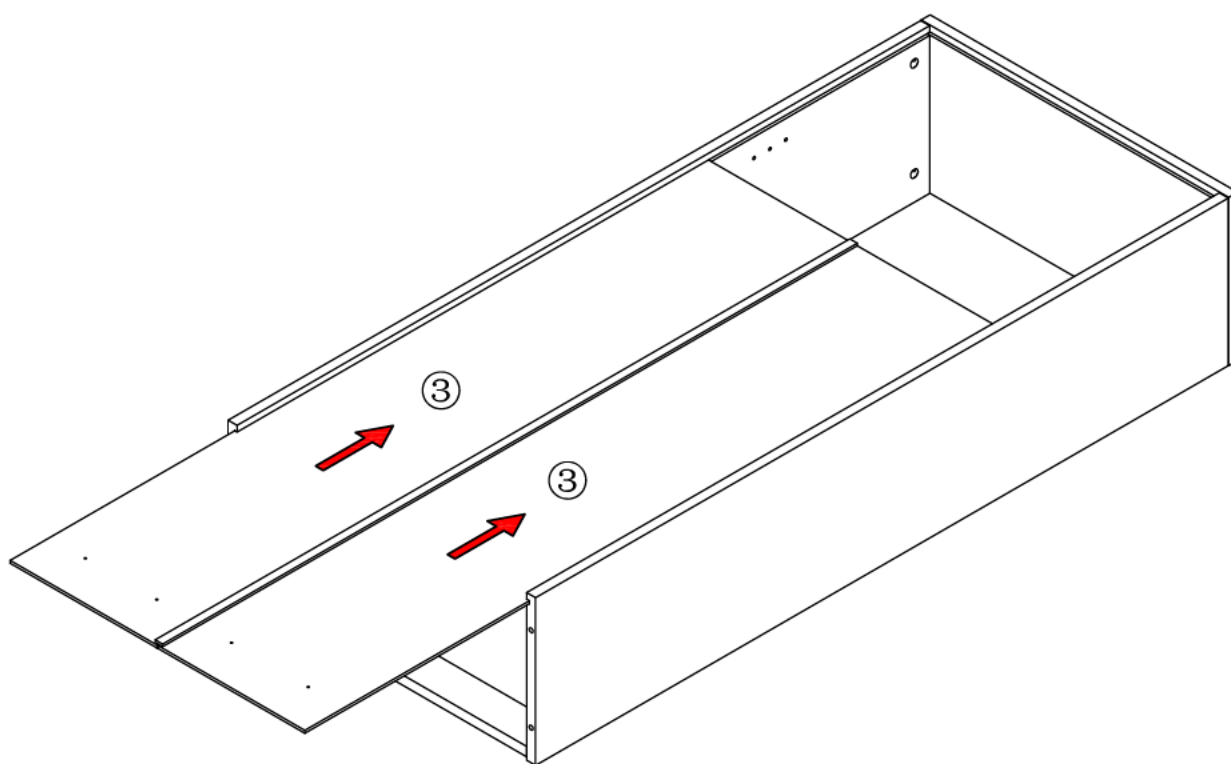



⊕ Klix Cam
Φ15x12 (X4)

Assembly Instruction

STEP 6

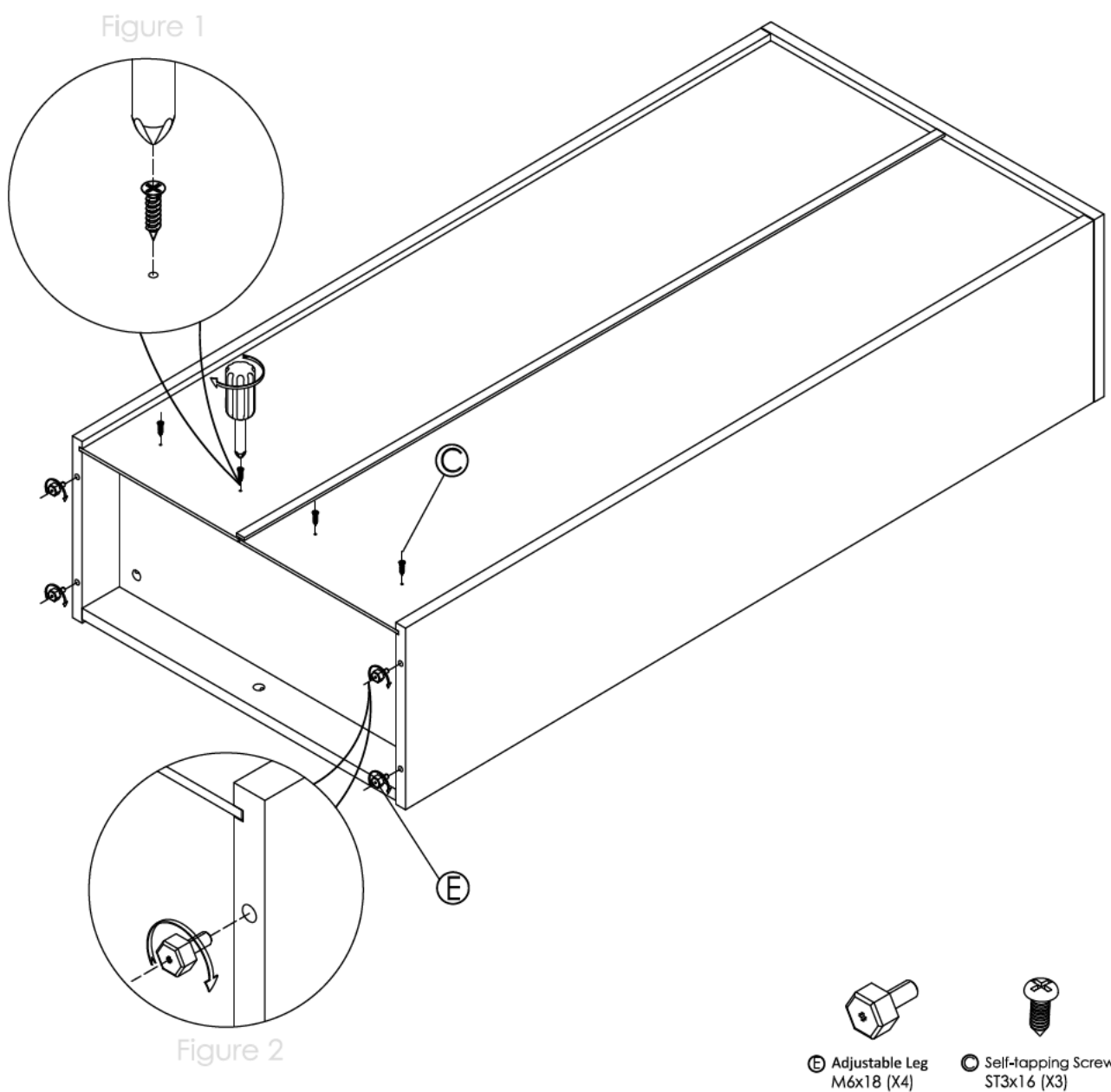
Insert the back panel into the slot as shown in the figure below.



Assembly Instruction

STEP 7

Fix the back panel with ST3*16 self-tapping screws as shown in Figure 1. Screw the adjustable legs into the corresponding holes at the bottom of the left and right panels, and adjust the height to make them even if needed.



Assembly Instruction

STEP 8

Press the back panel stabilizer into the gap at the back of the back panel. Then fix the back panel stabilizer with self-tapping screws (ST3 * 16).

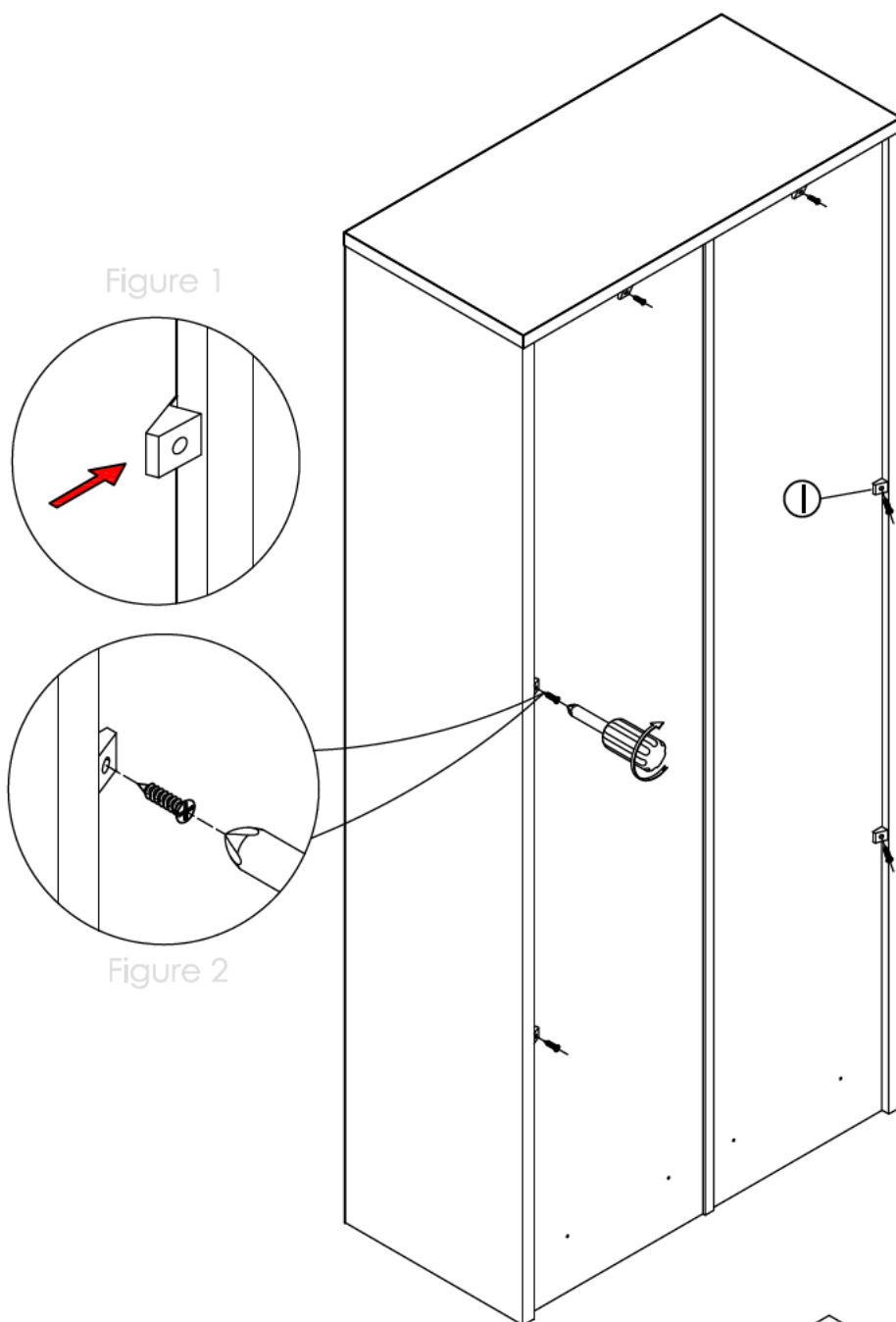


Figure 1

Figure 2

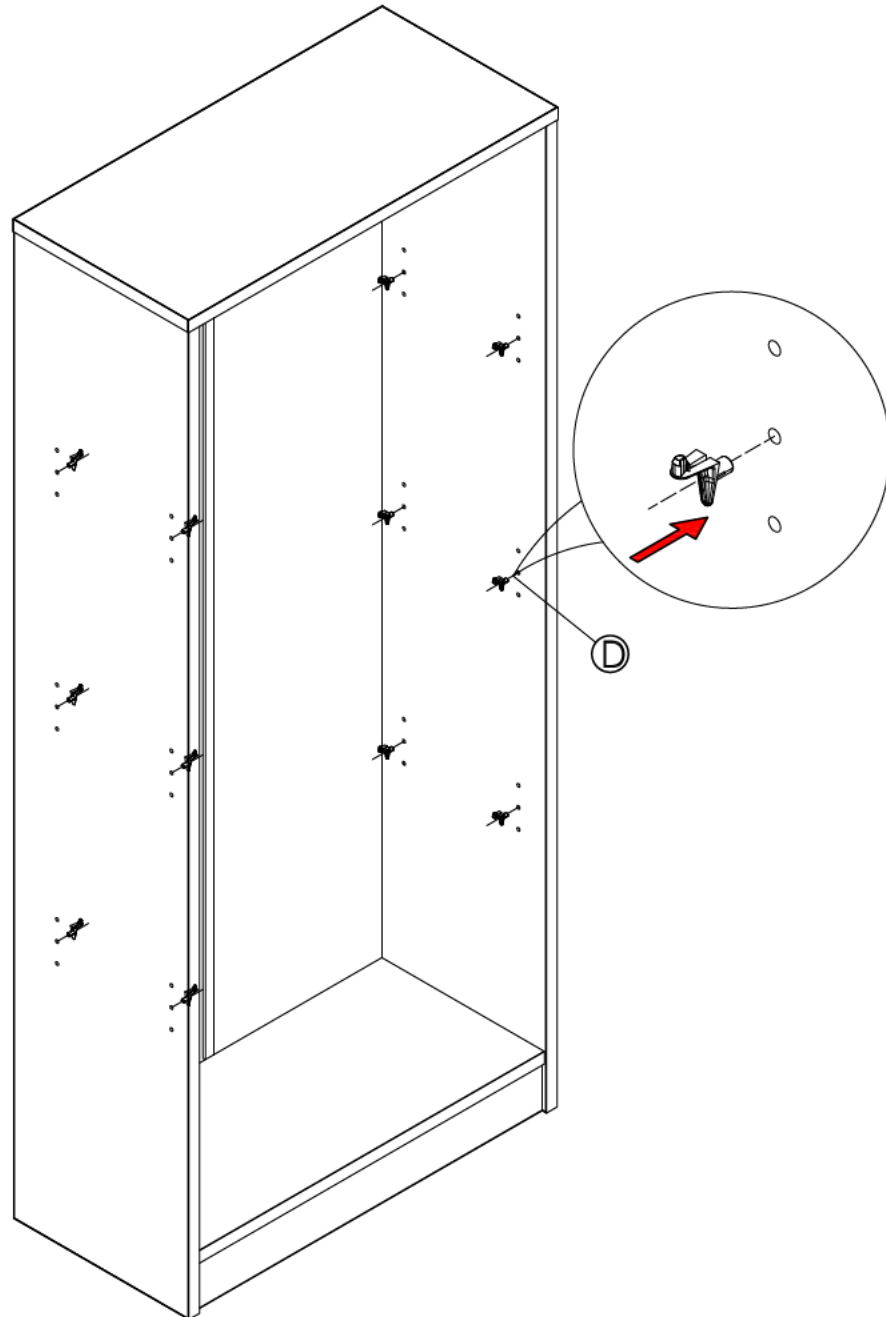
① Back Panel Stabilizer
15x14x10 (X6)

② Self-tapping Screw
ST3x16 (X6)

Assembly Instruction

STEP 9

Put the shelf supports ($\Phi 5 \times 15.5$) in place to have different space as you desire.

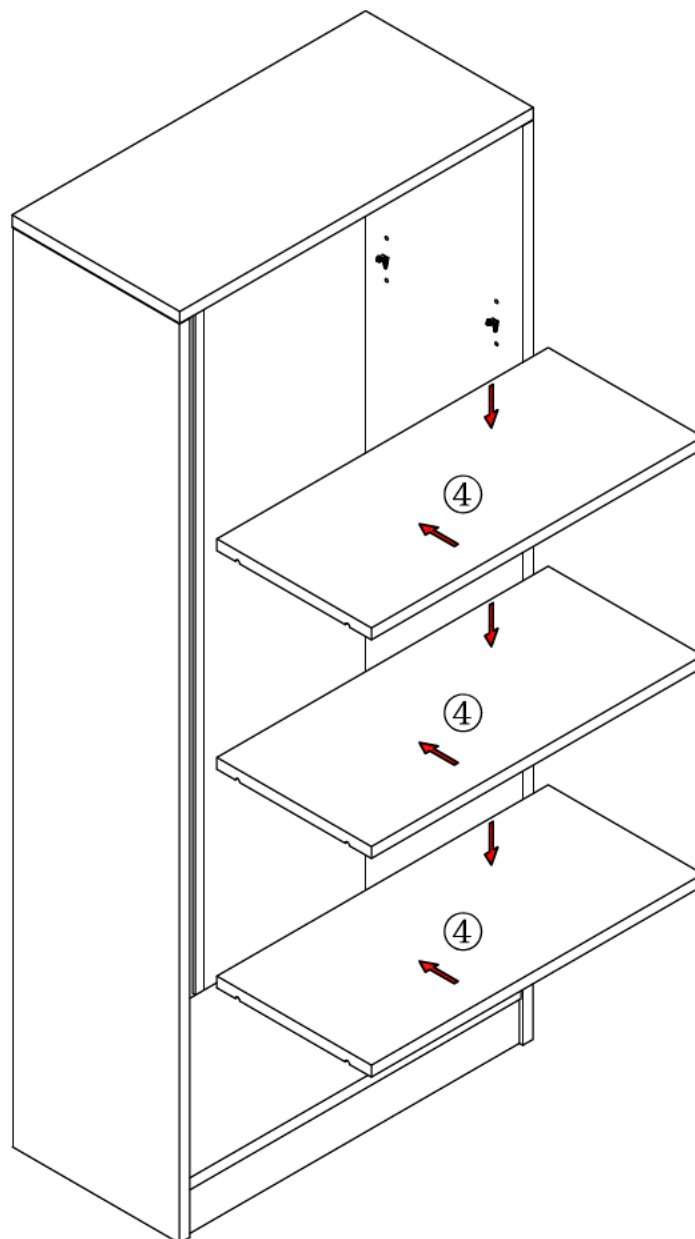


D Shelf Support
21*20.8*9 (X12)

Assembly Instruction

STEP 10

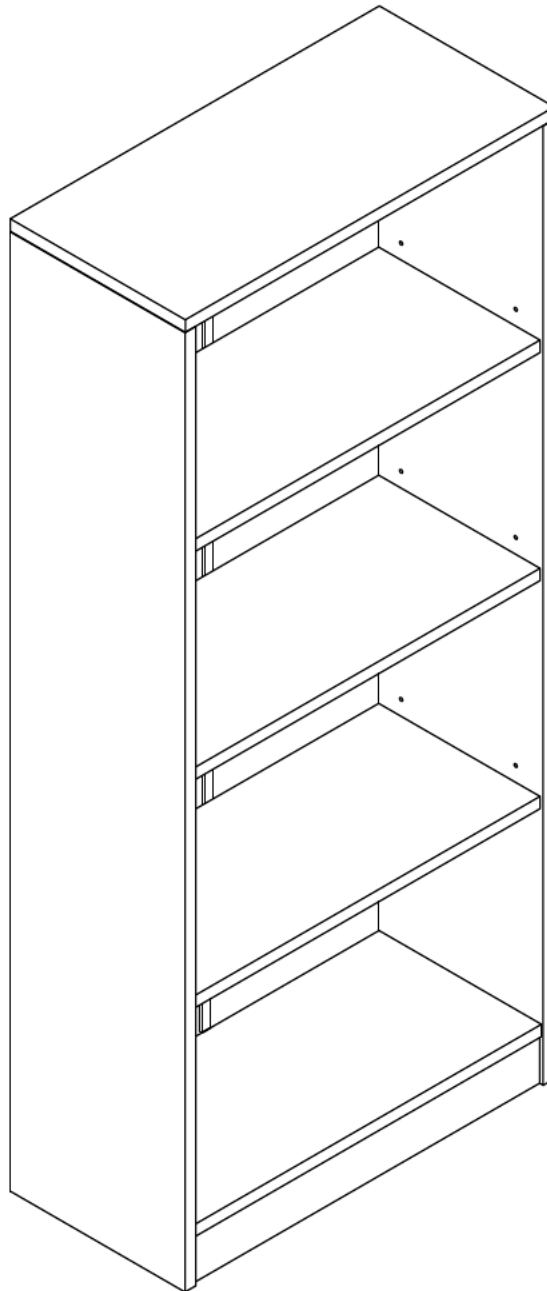
Place the movable panels accordingly. Make sure the panels are just right on the shelf supports.



Assembly Instruction

STEP 11

Place covers for klix cam.
Completed.




Ⓢ Cover for
Klix Cam
Φ20x0.2 (X9)

Assembly Instruction

STEP 12

Be sure to tighten nylon strap in case the bookcase topples over.

