

ASSEMBLY INSTRUCTIONS







BALI BACKLESS SWIVEL STOOL

CH-CS624818/CH-CS624819

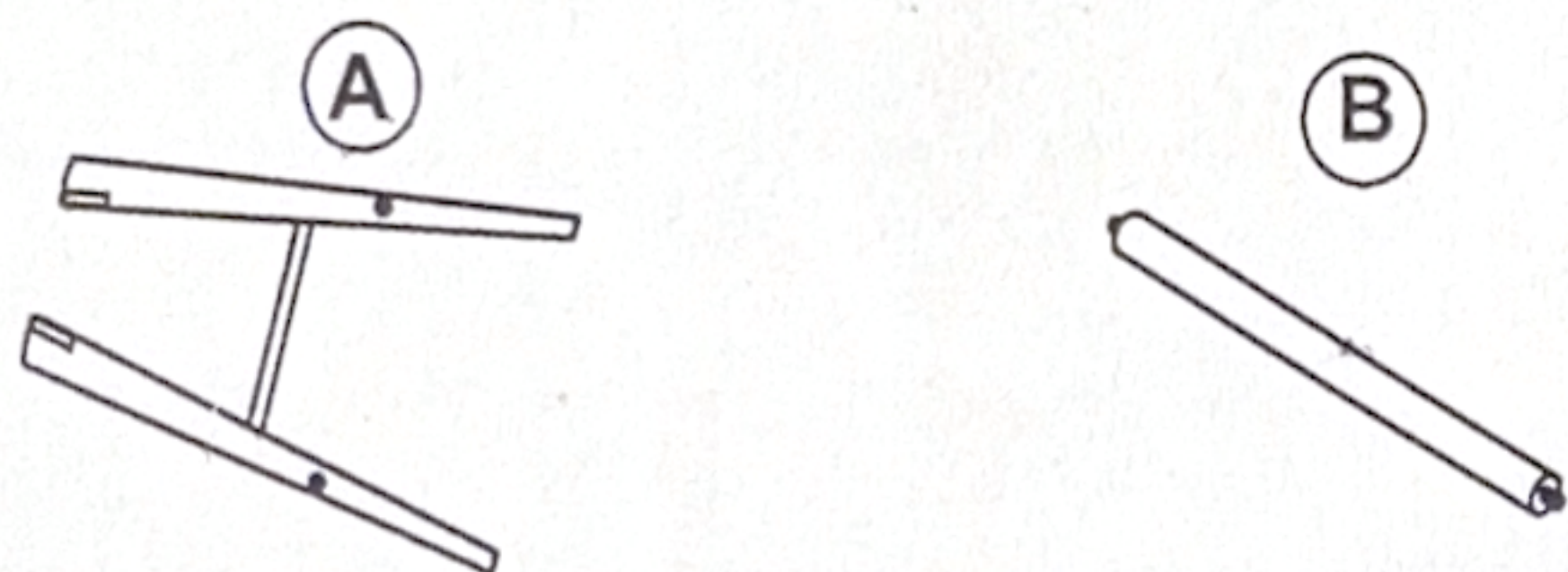
CH-BS630953/CH-BS630954

- Tools Included
- Do not throw away packing materials until assembly is complete
- Assemble this item on a soft, clean surface to protect the product
- Proper assembly requires 2 People
- Make sure all parts are included prior to assembly

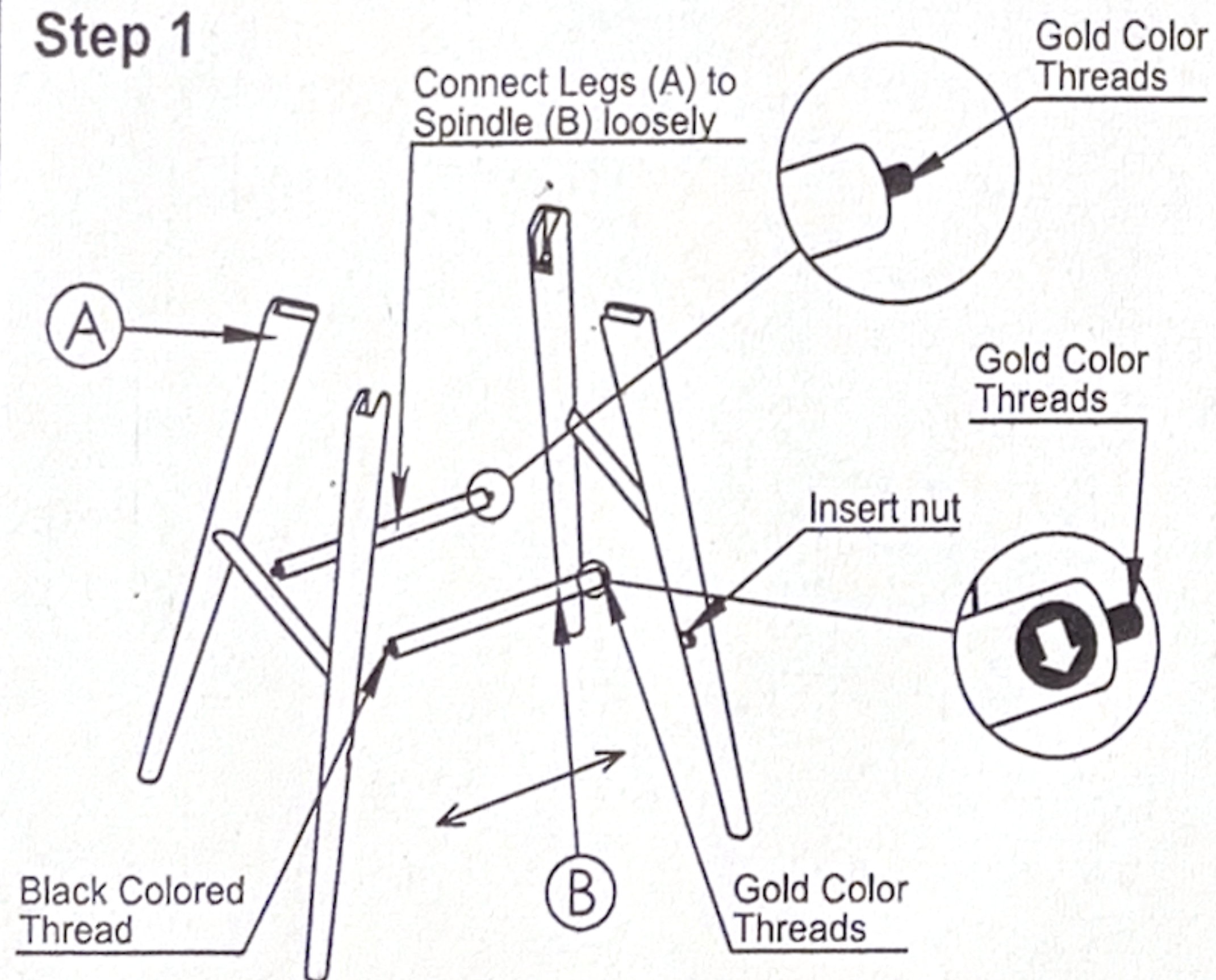
PART LIST		
NO.	DESCRIPTION	QTY
A	Chair Leg (set)	2
B	Spindle	2
C	Base with swivel plate	1
D	Scoop seat	1

HARDWARE LIST			
NO.	DESCRIPTION		QTY
1	JCBC Bolt M6x70mm		4
2	JCBC Bolt M6x25mm		4
3	Spring washer M6x10mm		8
4	Flat washer 1/4"x13 mm		4
5	Flat washer 1/4"x16 mm		4
6	Allen Wrench M4		1

Warning: Only turn the Spindle in the direction shown by the arrow in the drawing below. **DO NOT OVER TURN THE SPINDLE ONCE IT HAS BEEN TIGHTENED**

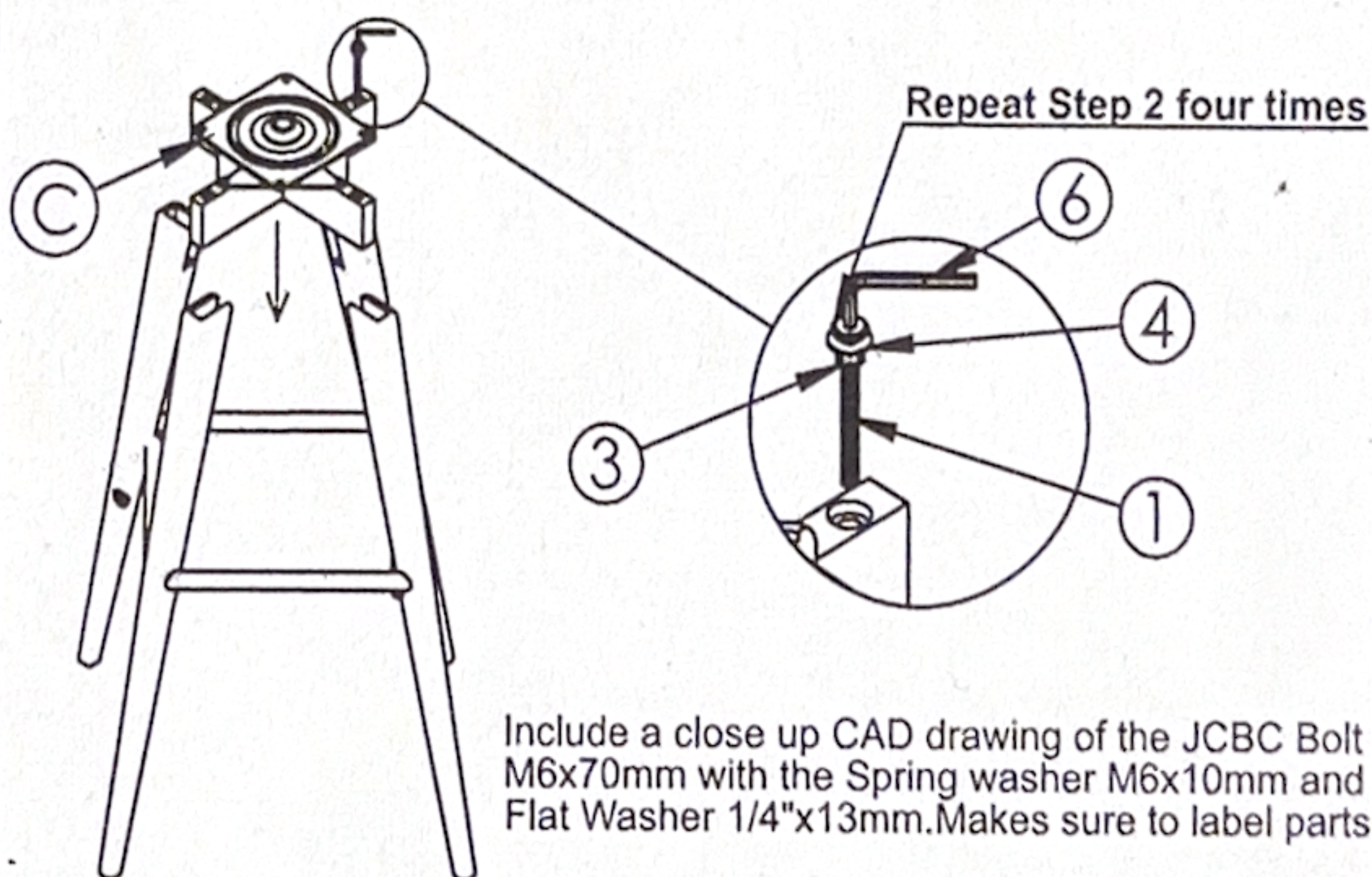


Step 1

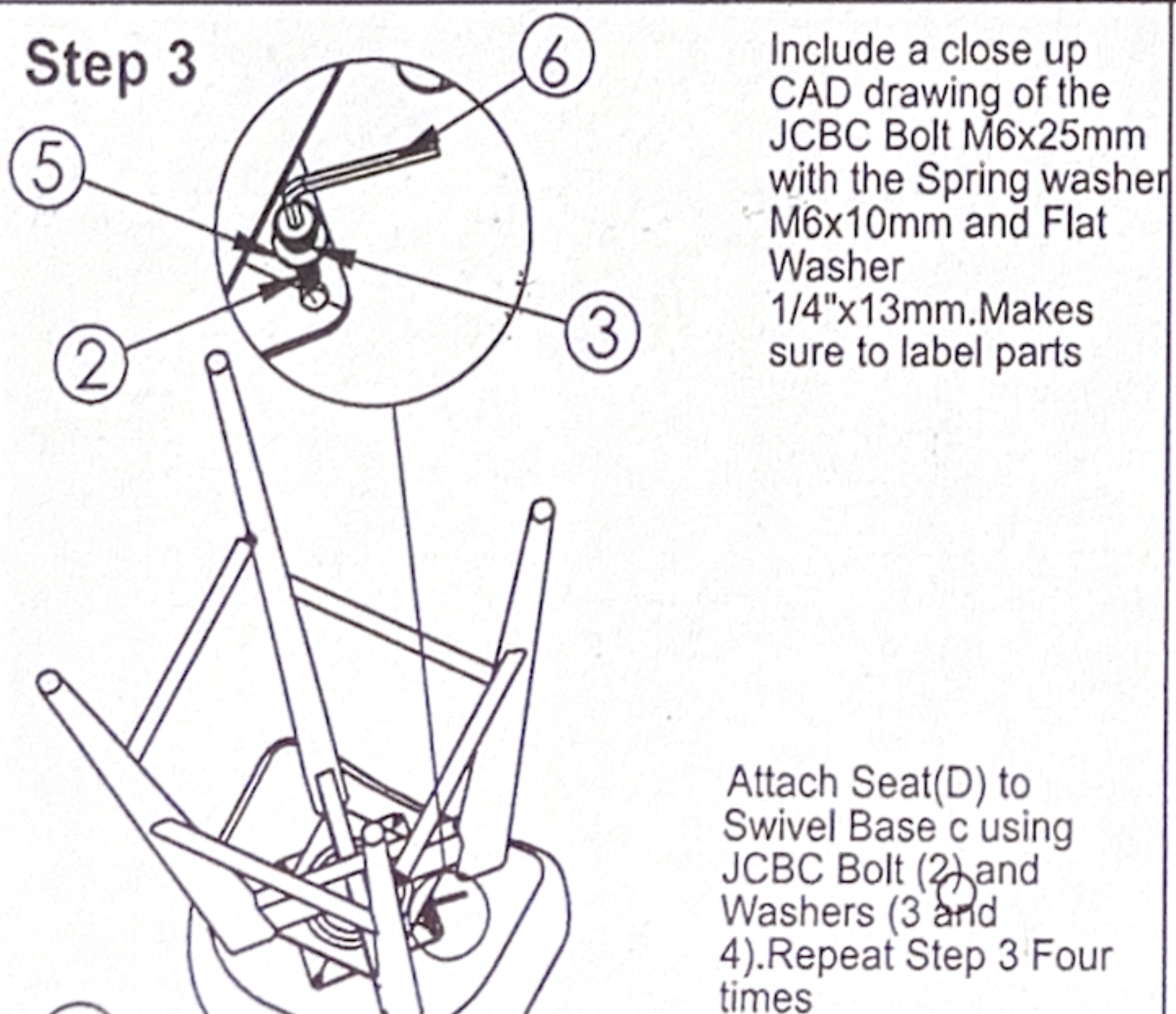


Step 2

Attach swivel plate c to Leg Assembly (Step 1) using JCBC Bolt M6x70mm with Spring Washer M6x10mm and flat Washer 1/4" x 13mm.(x4)



Step 3



Step 4

