

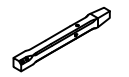
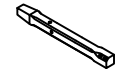
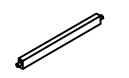

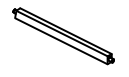
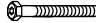

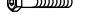


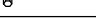

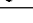
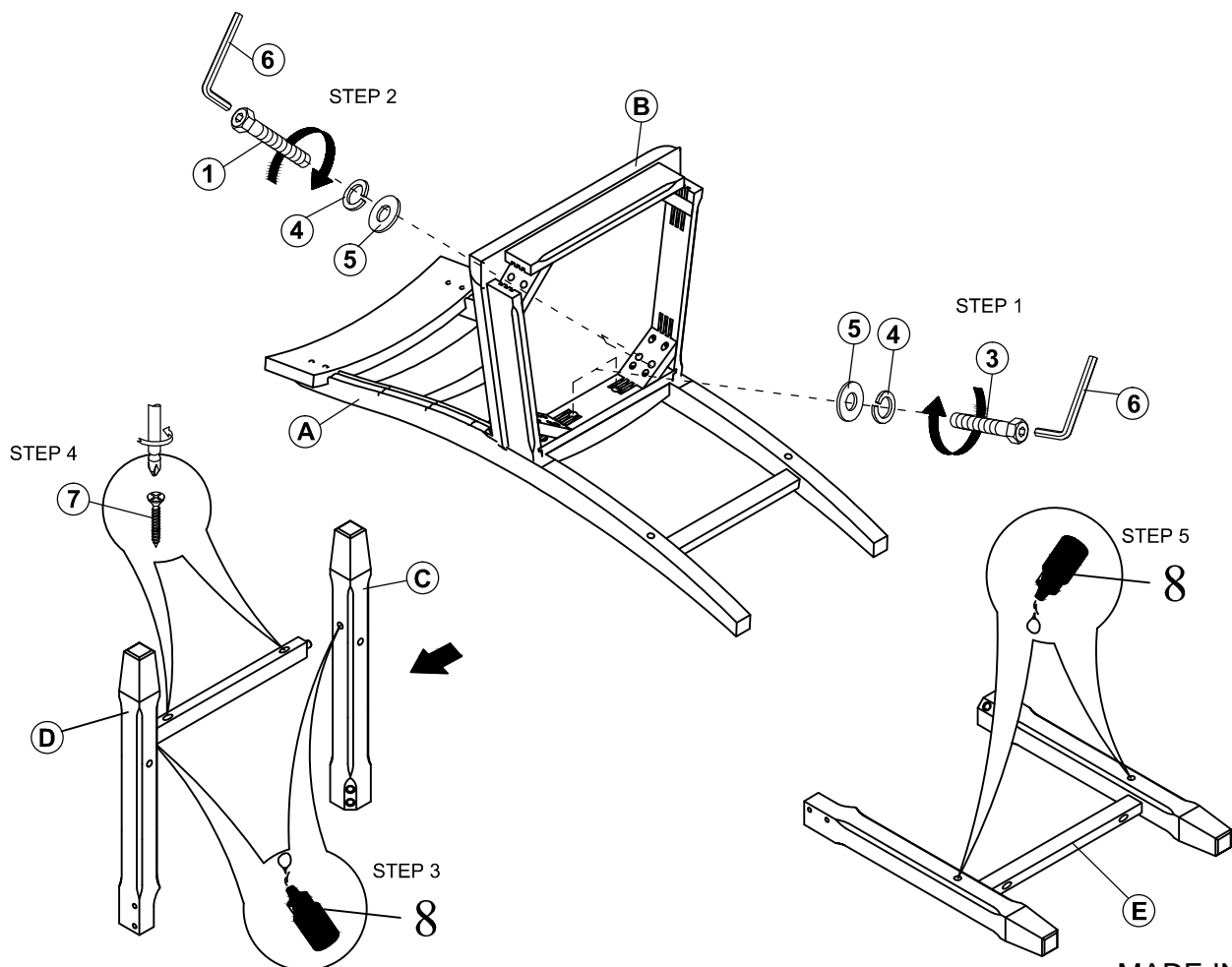


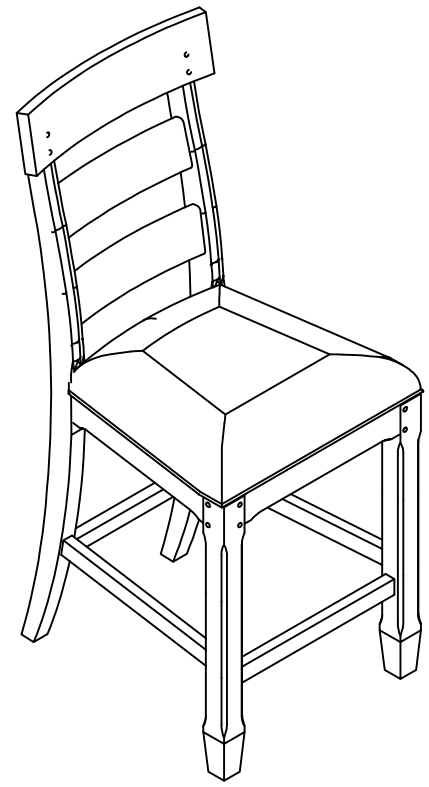
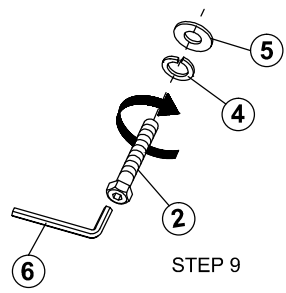
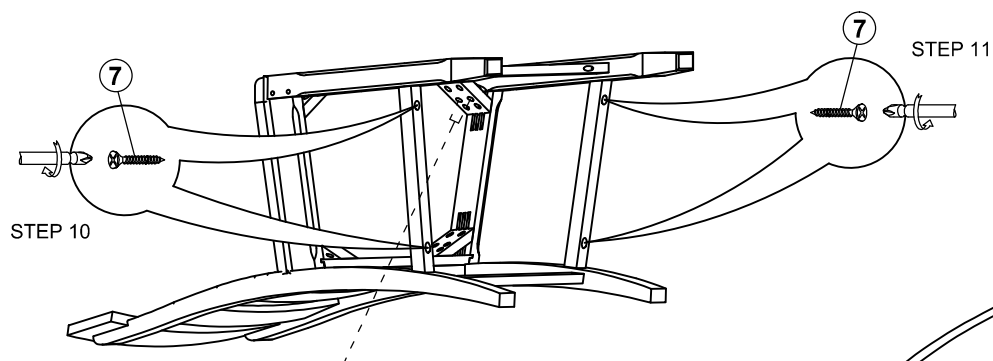
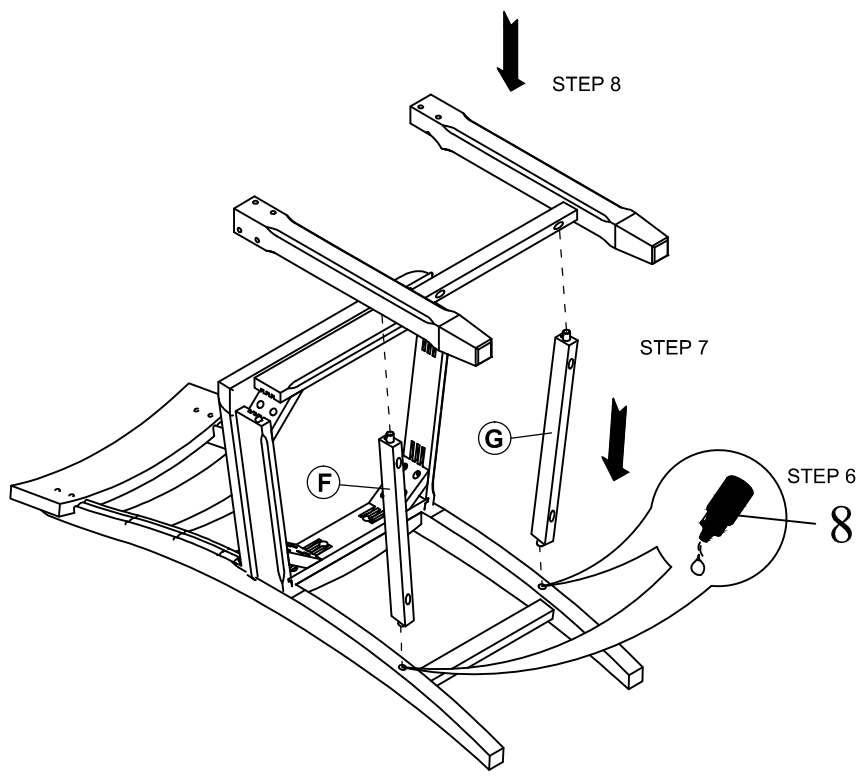
ASSEMBLY INSTRUCTIONS

NO.	Parts List		Q' TY
A		Chair Back	1
B		Chair Seat	1
C		Right Front Leg	1
D		Left Front Leg	1
E		Front Stretcher	1
F		Left Side stretcher	1
G		Right Side Stretcher	1

NO.	Hardware list		Q'TY
1		5/16"*3-1/8" Allen Bolts	4
2		5/16"*2" Allen Bolts	4
3		5/16"*1-9/16" Allen Bolts	2
4		Spring Washers (8mm)	10
5		Flat Washers (8*19*2mm)	10
6		Allen Key (4mm)	1
7		Wood Screws 1/8"*1-1/2"	6
8		Wood Glue	1



MADE IN VIETNAM



MADE IN VIETNAM