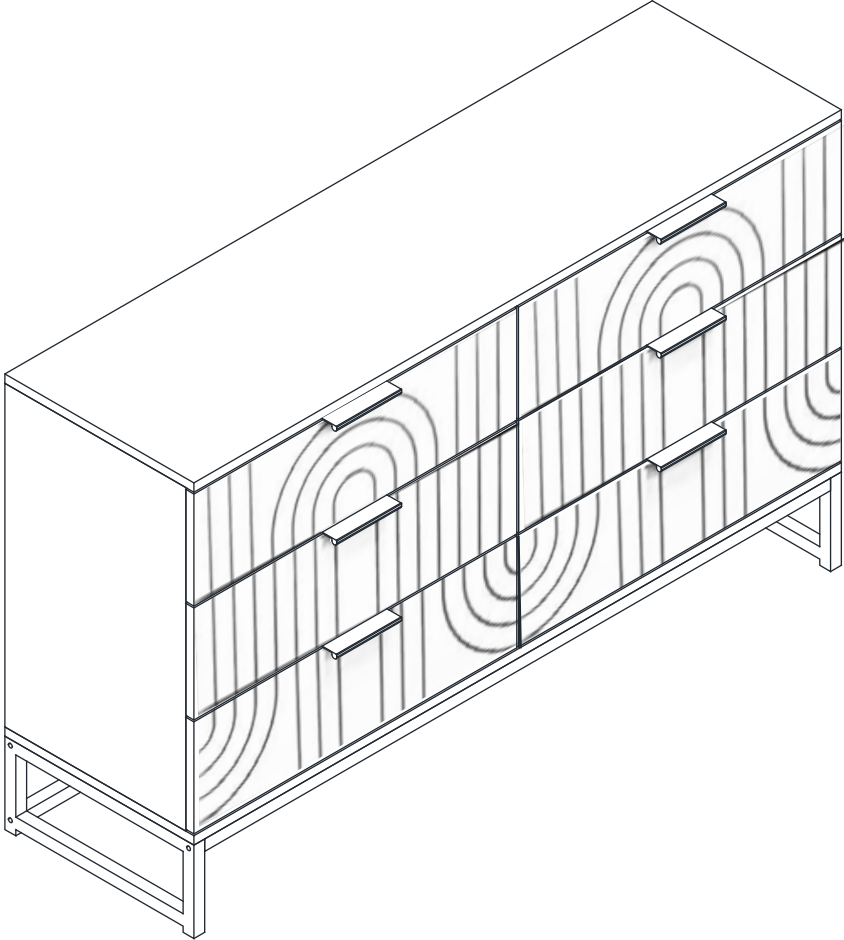


Installation Instruction



Assembling

Estimated time for assembly



30 : 00

What you need

- Use the packaging carton as a working surface to prevent product damage during assembly

- Phillips head screwdriver



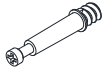
2 PERSONS

What's included

Code	Description	Qty
A	Cam Bolt M6X35MM	44
B	Cam Lock 15X10MM	44
C	Wooden Dowel M6X30mm	14
D	Screw M4X35mm	40
E	Screw M3X12mm	72
F	Slide Sets	6
G	Handle	6
H	Screw M3X16mm	8
I	Plastic Corner Support	8
J	Anchor M6X30MM	2
K	Nylon Strap	2
L	Screw M4X12MM	14
M	Bolt M6X35MM	6
N	Wooden Dowel M6X50mm	1
O	Bolt M6X30MM	10

The Hardwares

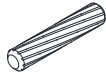
A



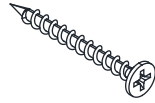
B



C



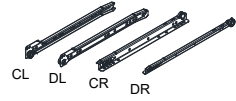
D



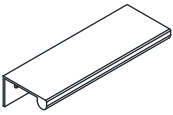
E



F



G



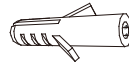
H



I



J



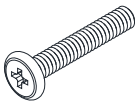
K



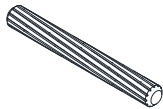
L



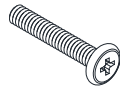
M



N



O



IMPORTANT:

1. Do not tighten bolts / screws completely until all bolts / screws are lined up and inserted into holes.
2. Do not over tighten screws and bolts to avoid stripping.
3. Please use hand tools to assemble this product. Do not use power tools.
4. Must need 2 people to assemble this product.



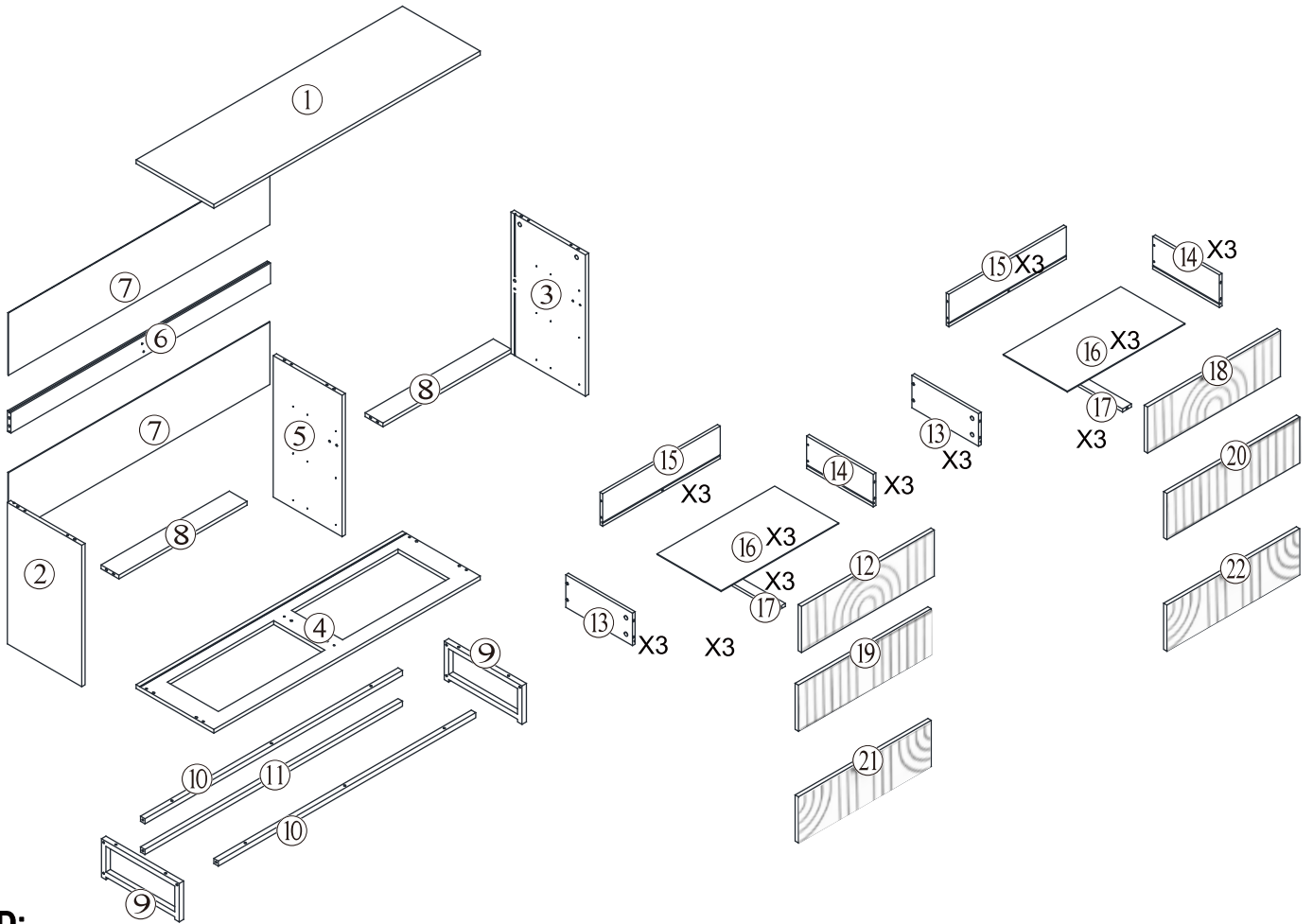
2 PERSONS

Included Accessories

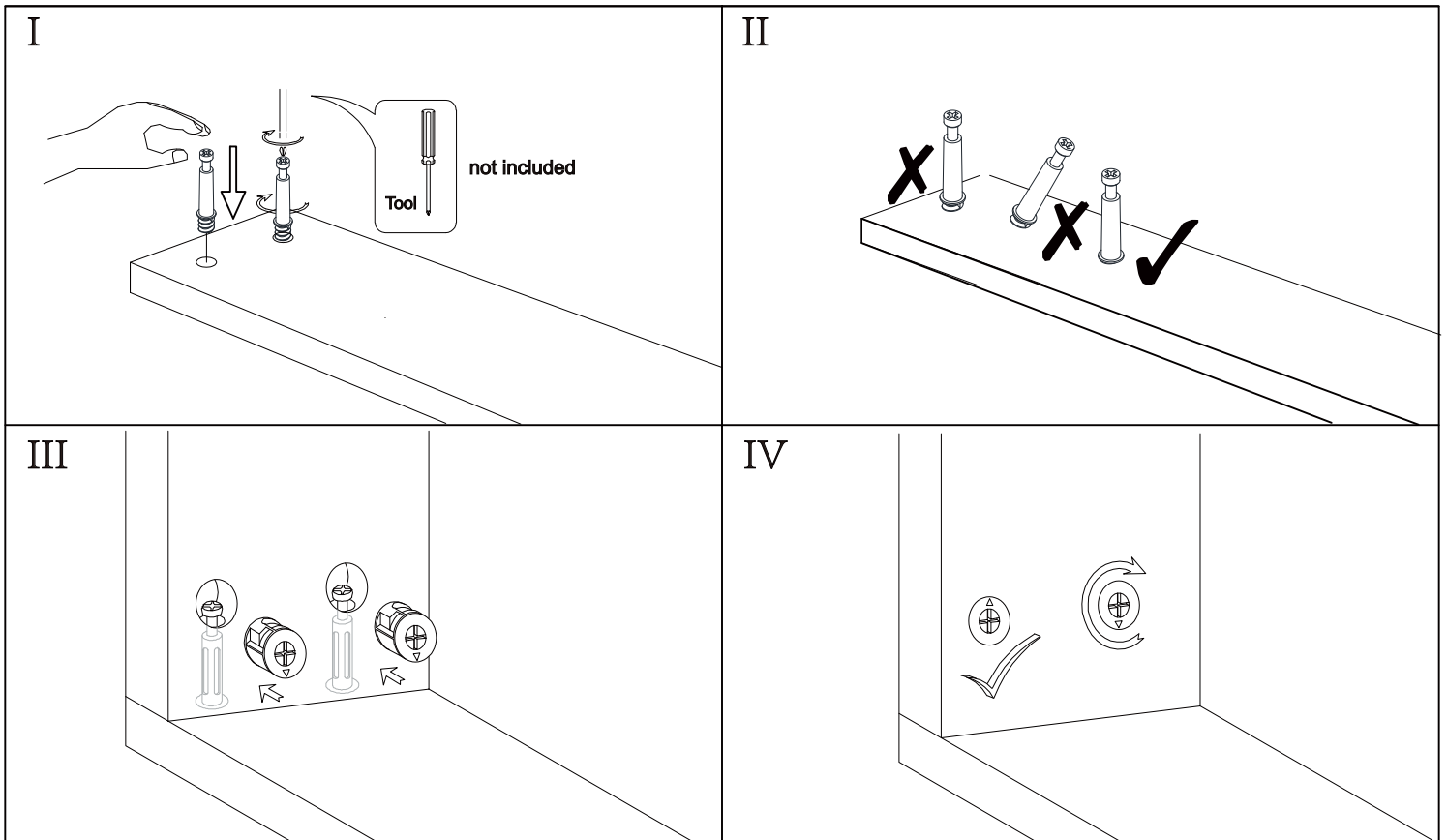
Code	Description	Qty
1	Cabinet Top	1
2	Left Side Panel	1
3	Right Side Panel	1
4	Bottom Panel	1
5	Intermediate Vertical Panel	1
6	Back Stretcher	1
7	Back Panel	2
8	Support Panel	2
9	Side Frame	2
10	Top Frame	2
11	Bottom Frame	1
12	Left Top Drawer Front Panel	1
13	Drawer Left Side Panel	6

Code	Description	Qty
14	Drawer Right Side Panel	6
15	Drawer Back Panel	6
16	Drawer Bottom Panel	6
17	Drawer Bottom Support Panel	6
18	Right Top Drawer Front Panel	1
19	Left Middle Drawer Front Panel	1
20	Right Middle Drawer Front Panel	1
21	Left Bottom Drawer Front Panel	1
22	Right Bottom Drawer Front Panel	1

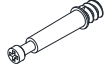
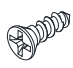
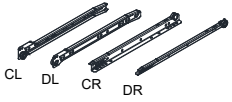
The Accessoriess

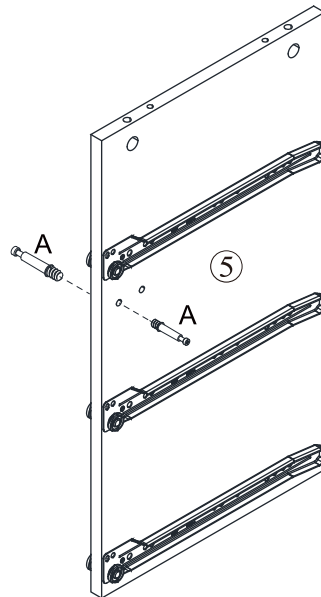
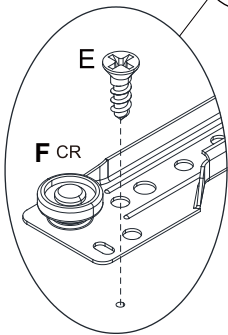
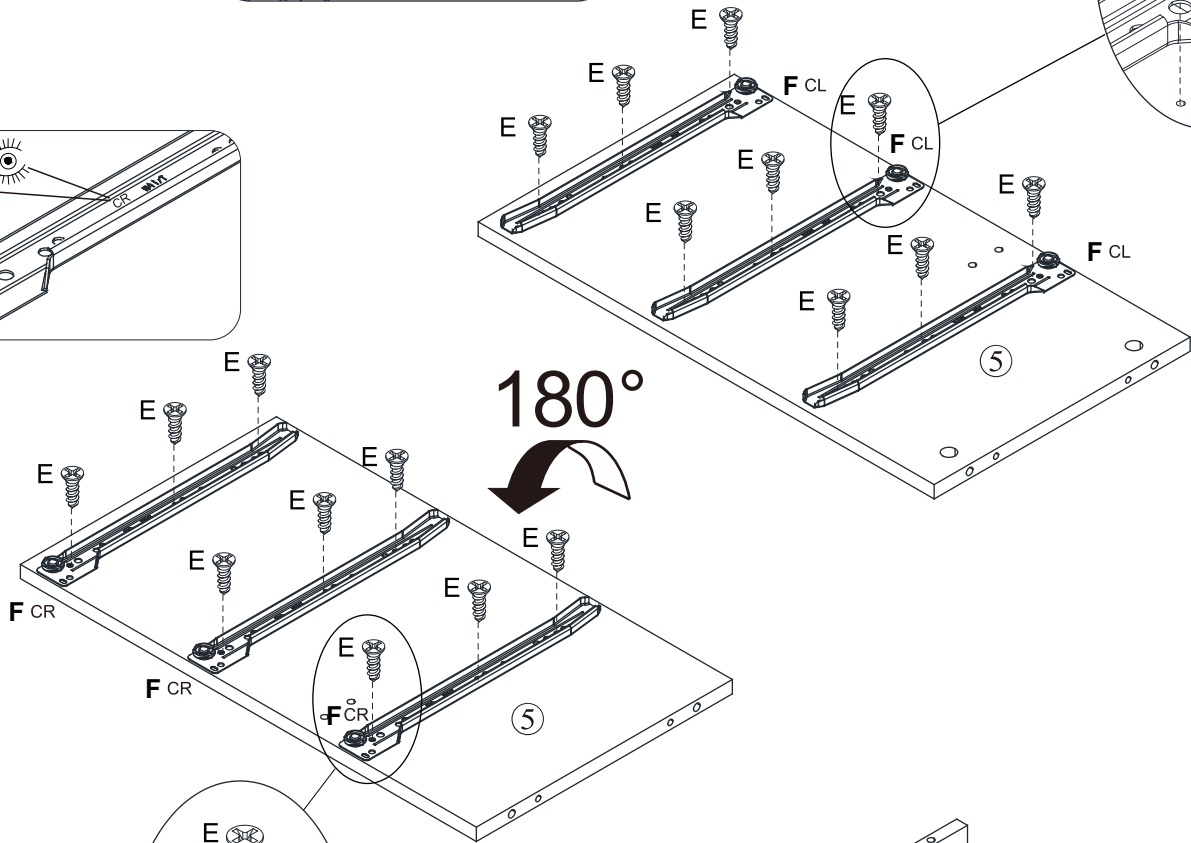
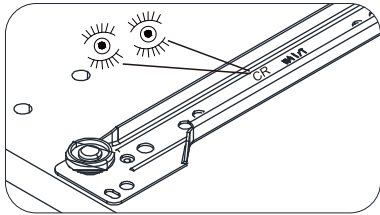
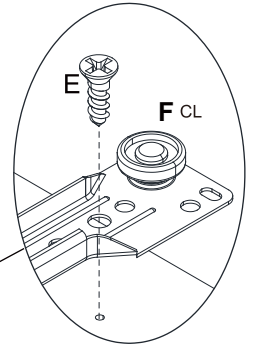
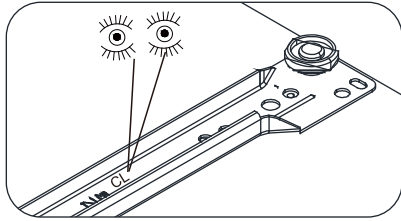


NOTED:





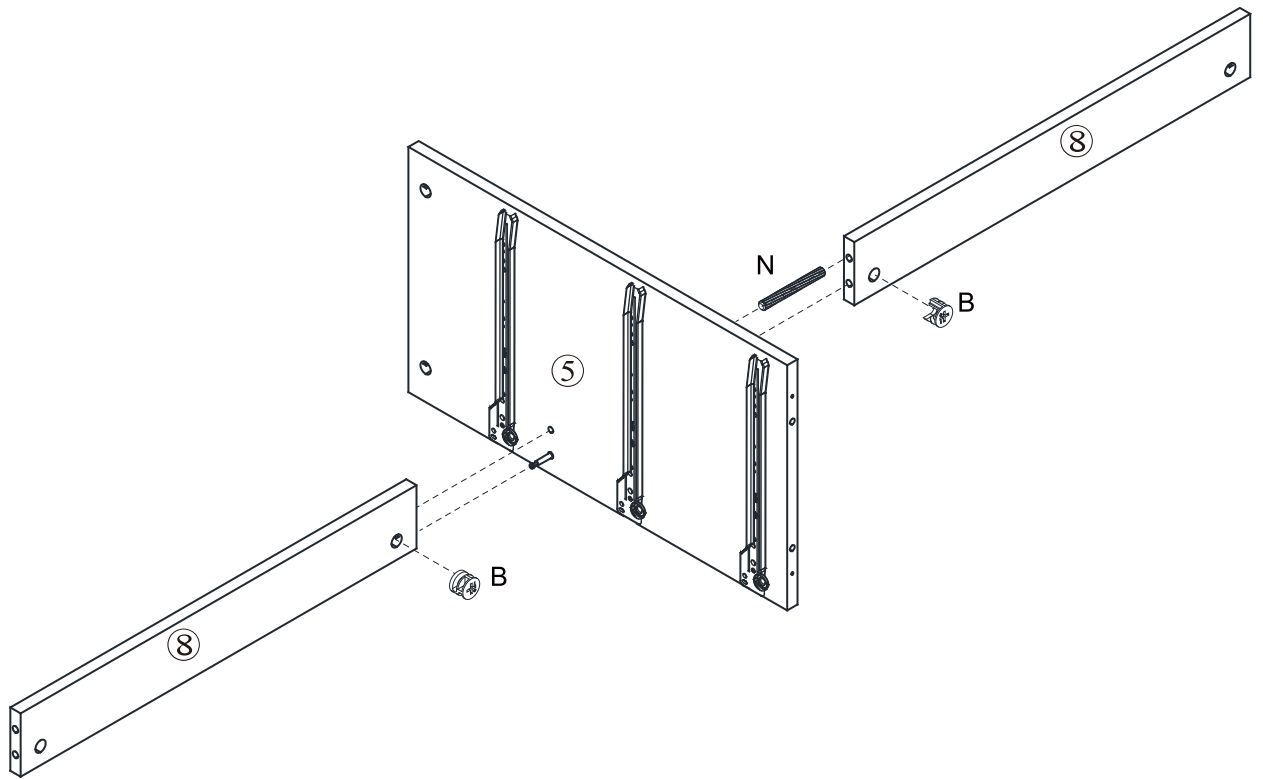
Step1

A	X2	E	X18	F	X3
					

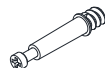
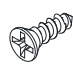
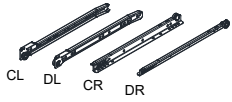


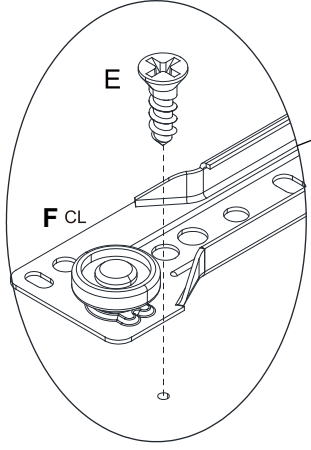
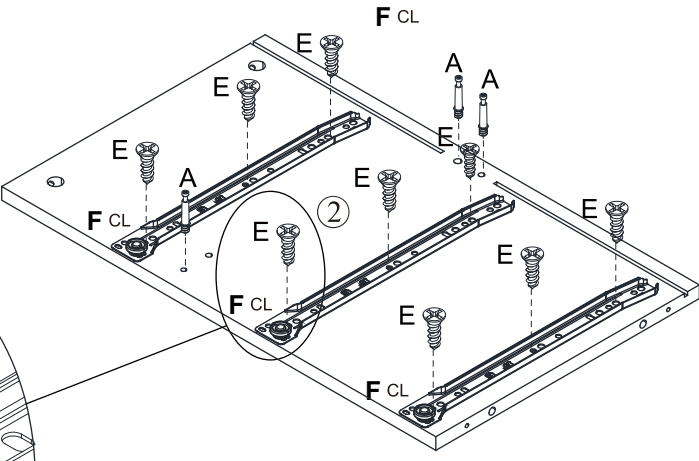
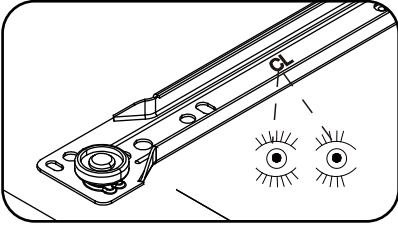
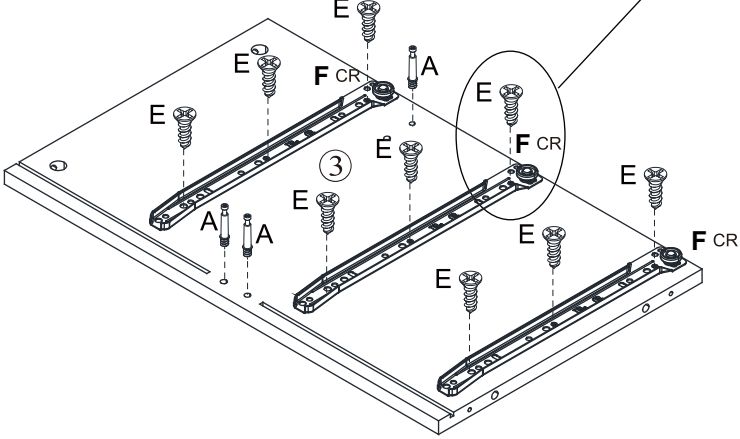
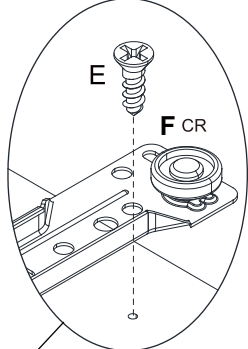
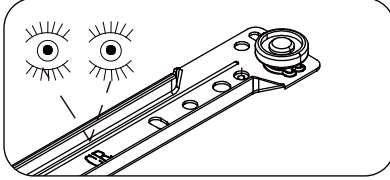
Step2

B	X2	N	X1
			

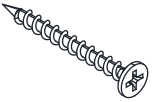

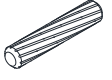


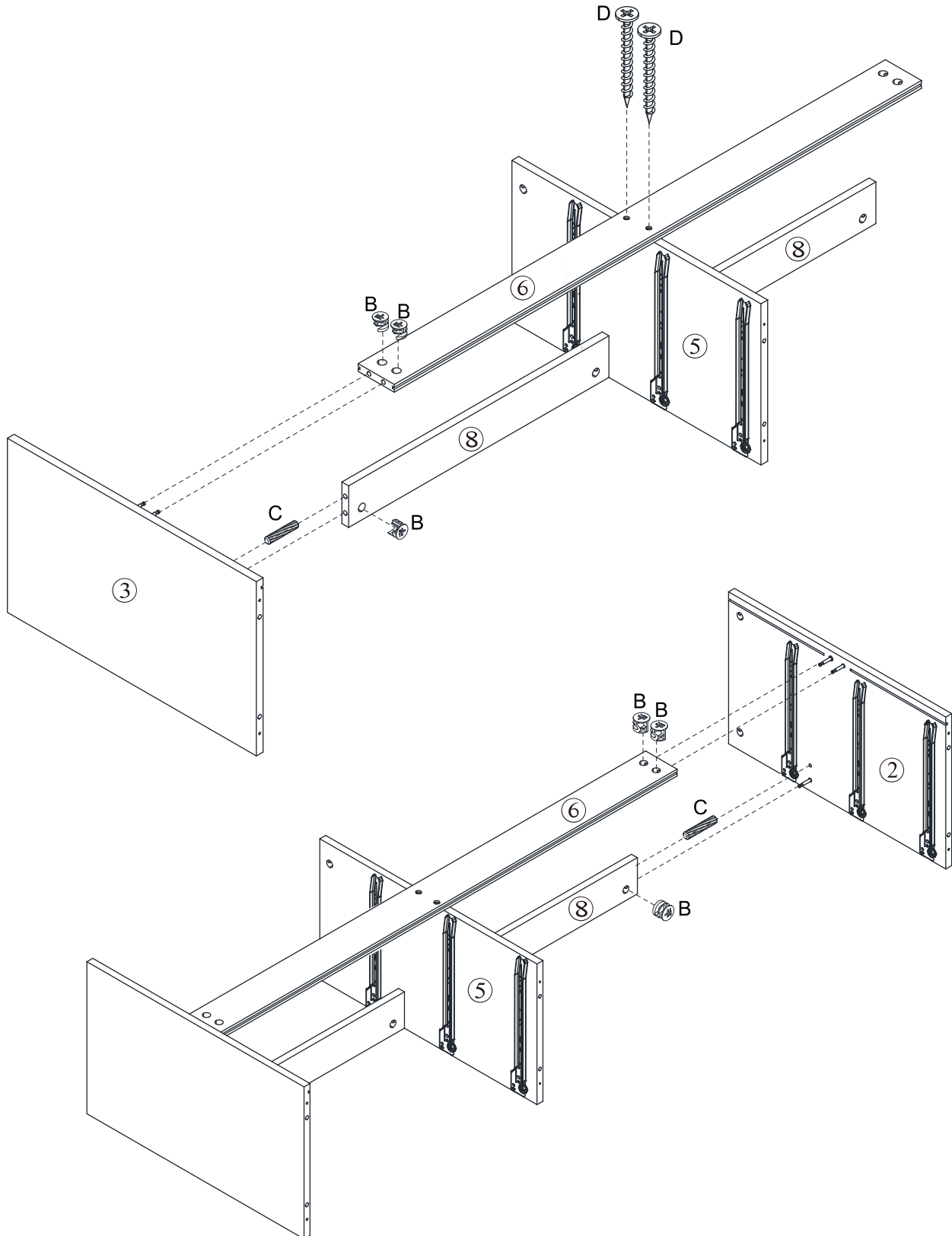
Step3

A	X6	E	X18	F	X3
					

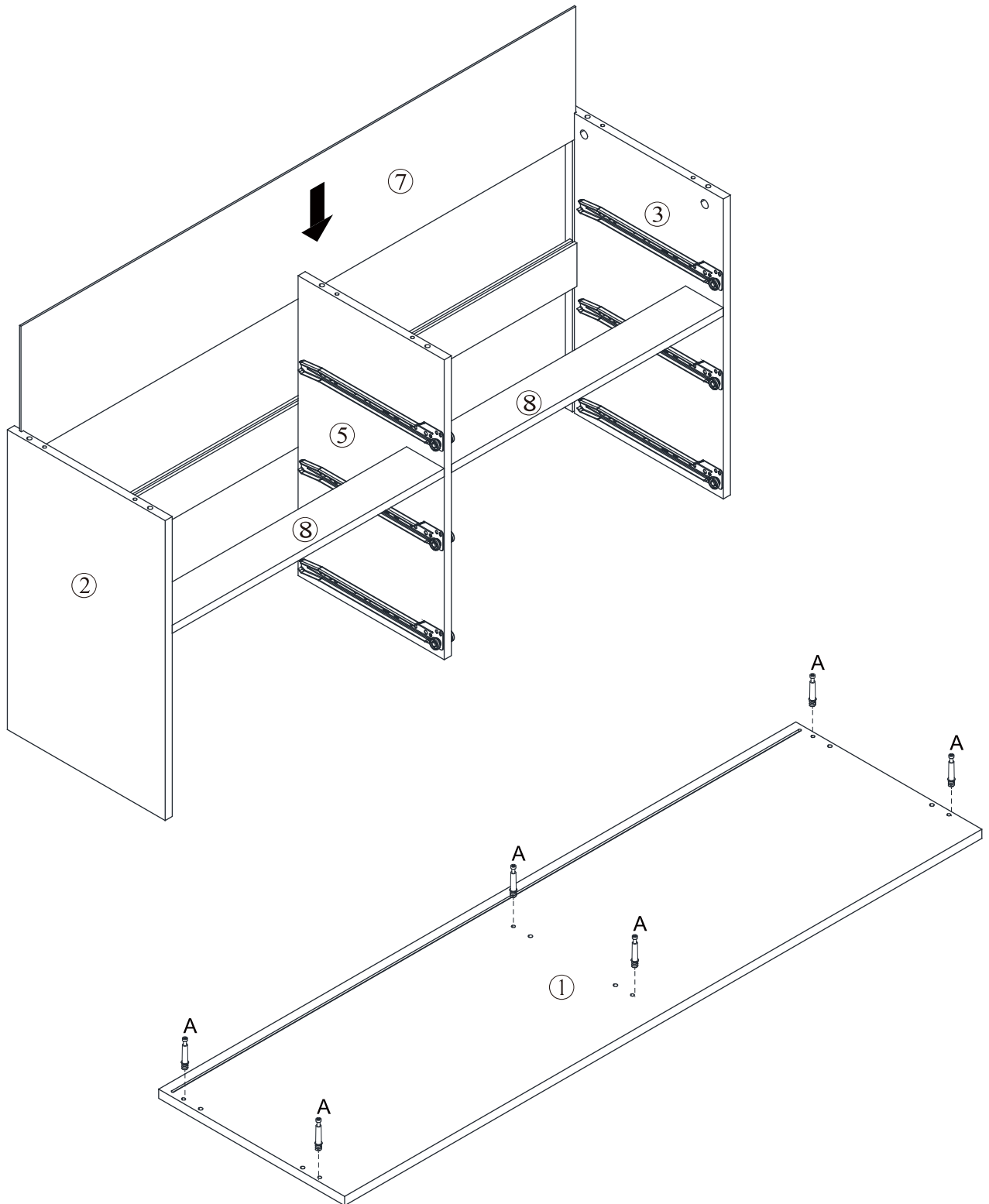
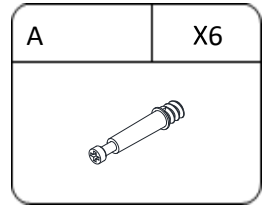


Step4


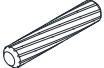
D	X2	B	X6	C	X2
					

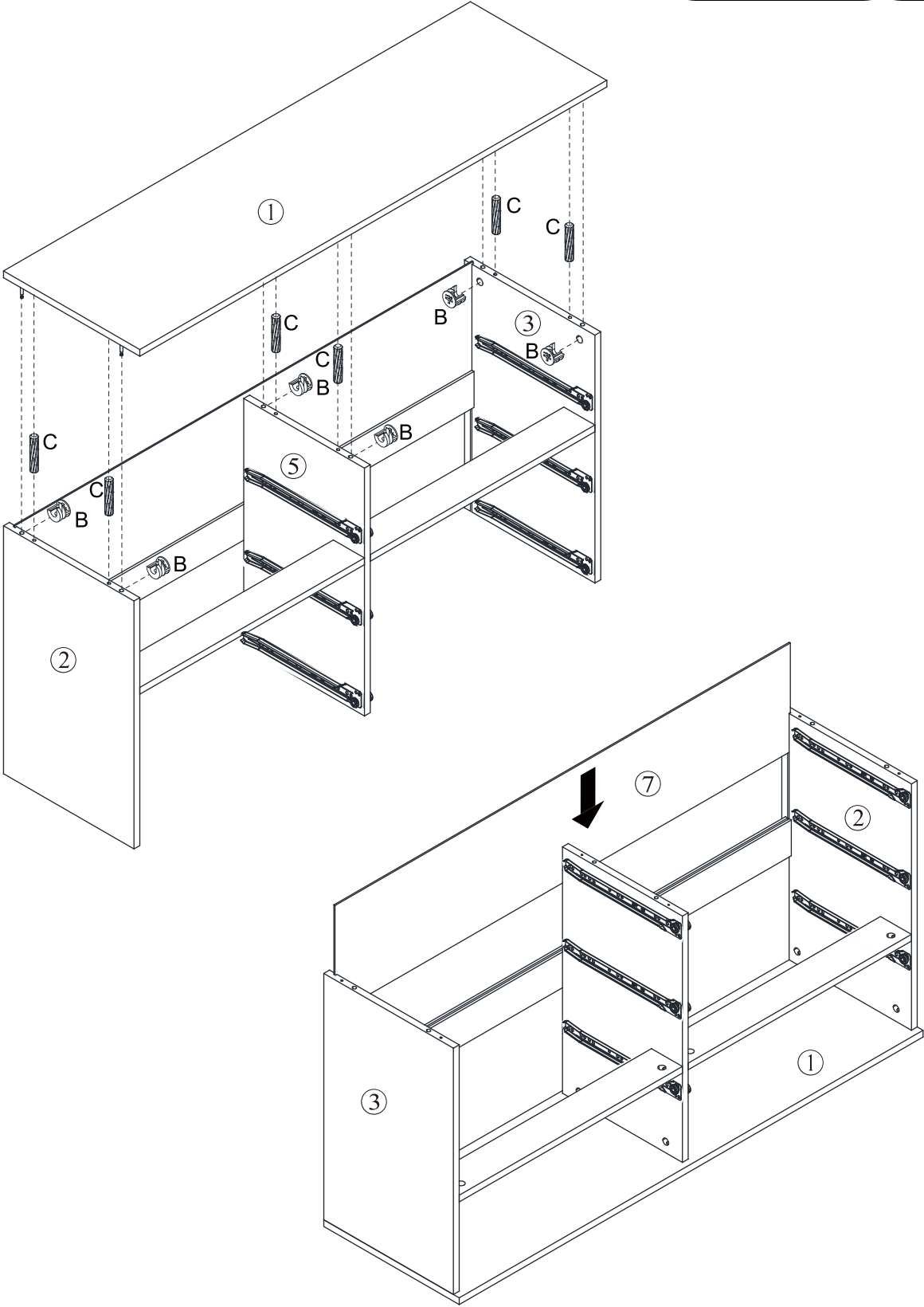


Step 5

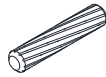
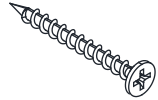


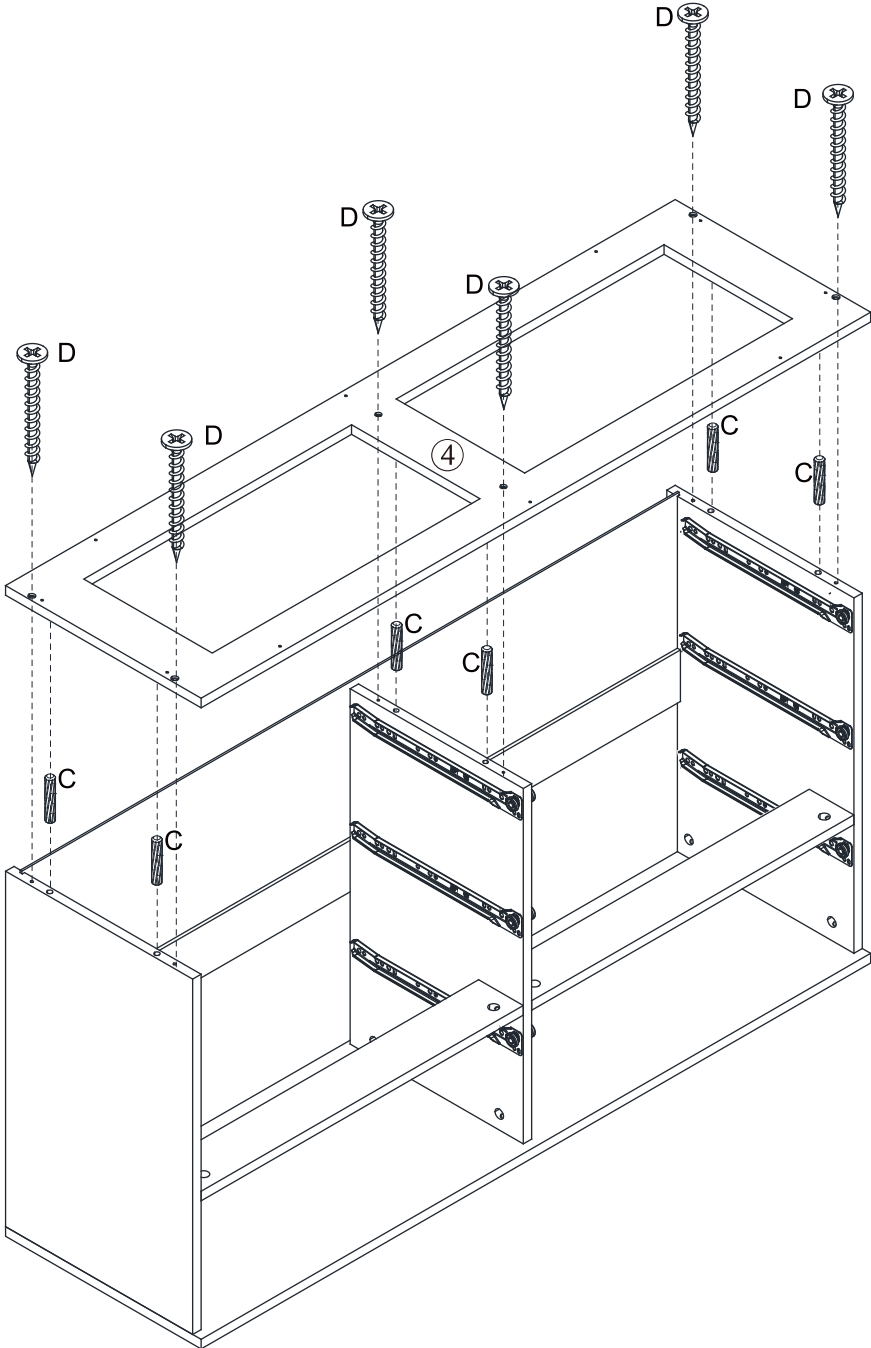
Step 6

B	X6	C	X6
			




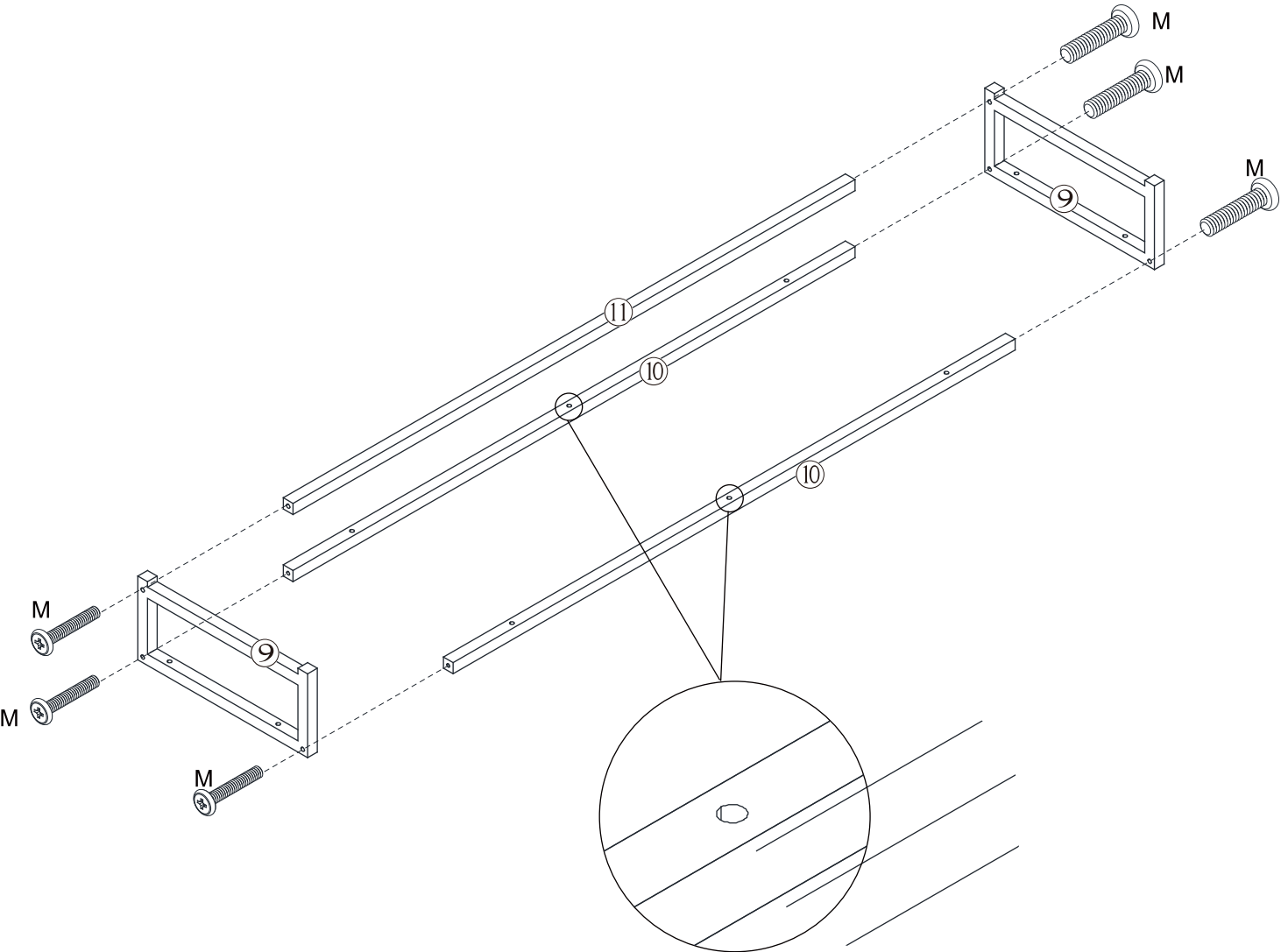
Step 7

C	X6	D	X6
			

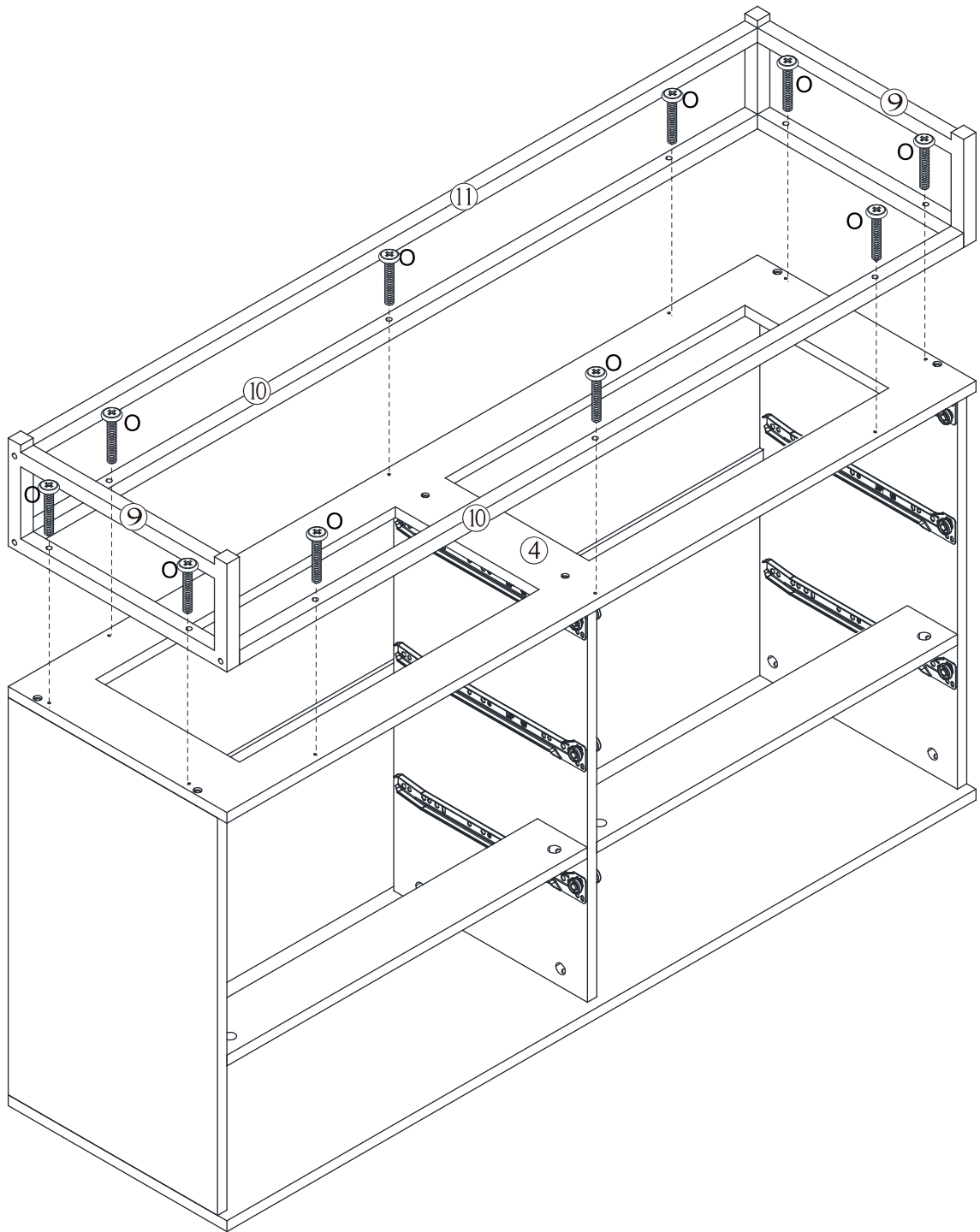
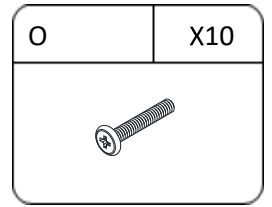


Step 8

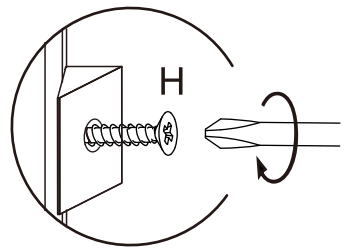
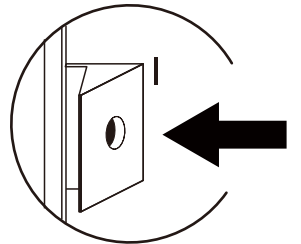
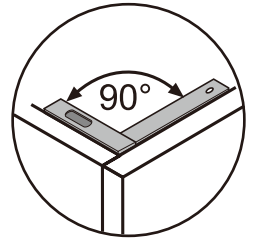
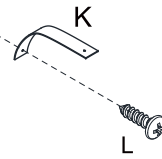
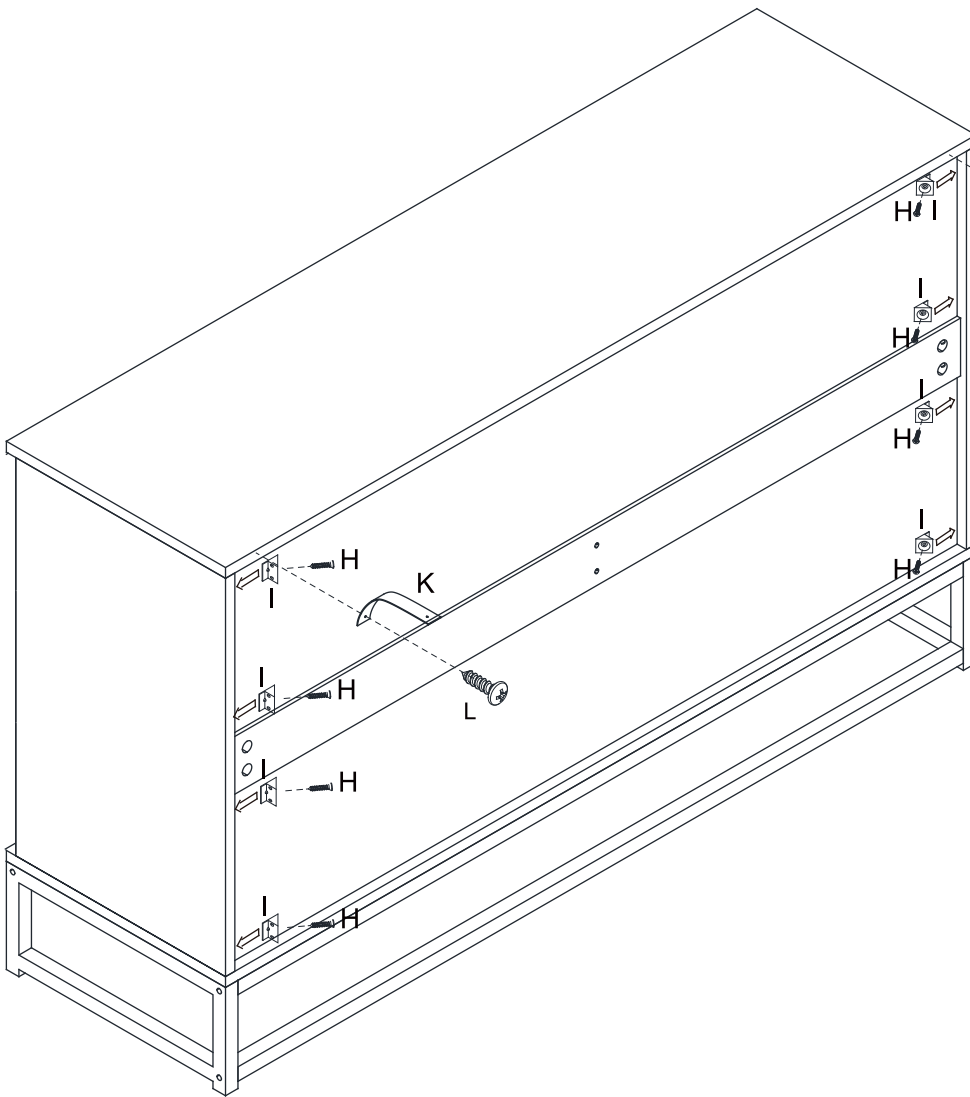
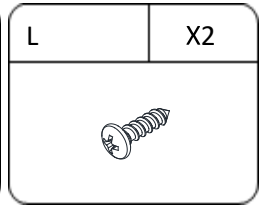
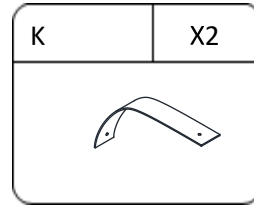
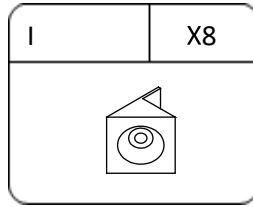
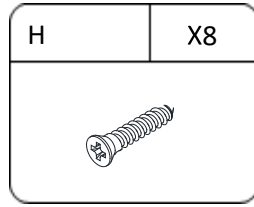
M	X6
	




Step 9

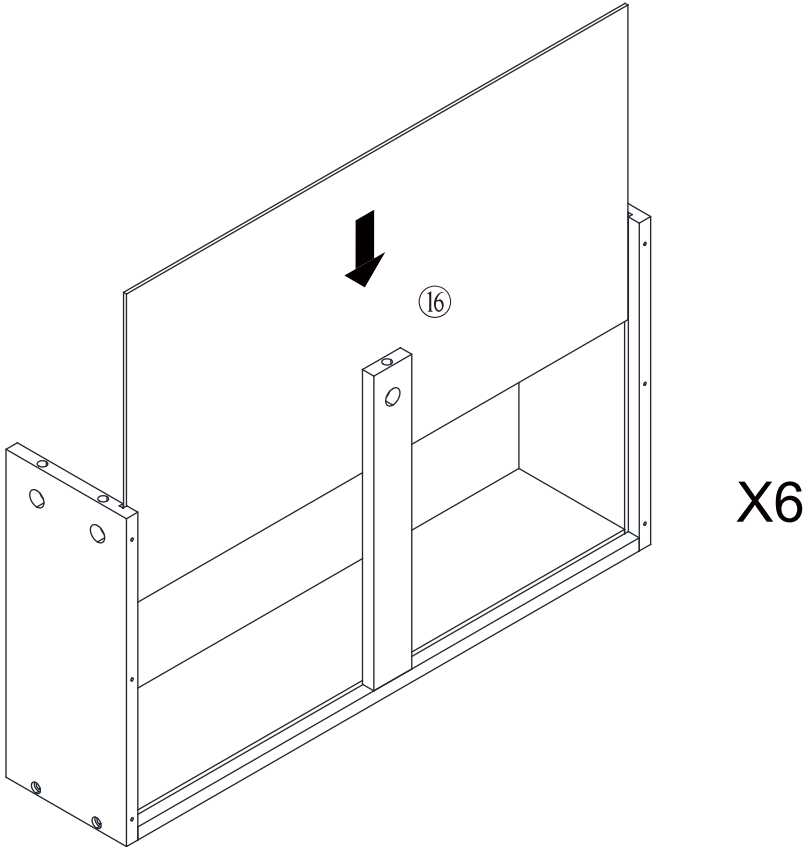
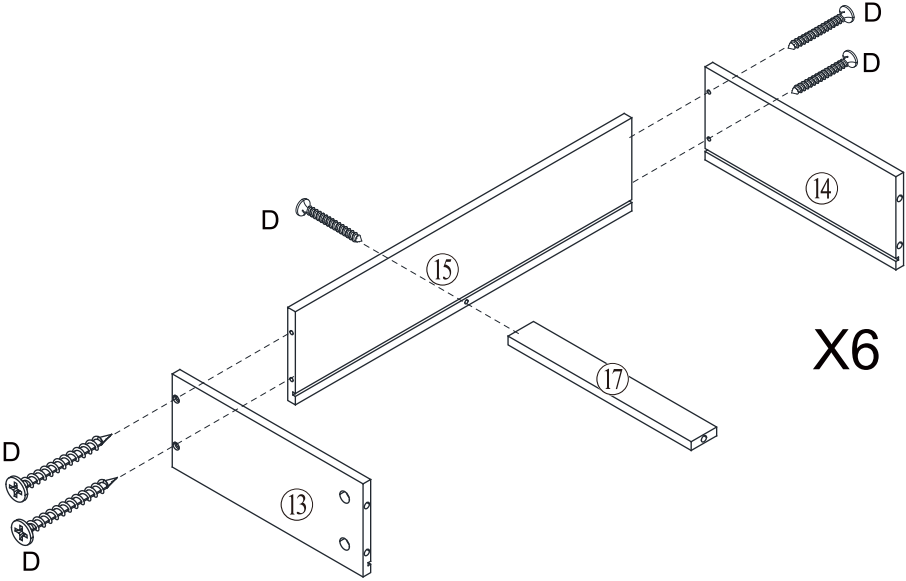


Step 10

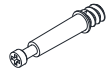



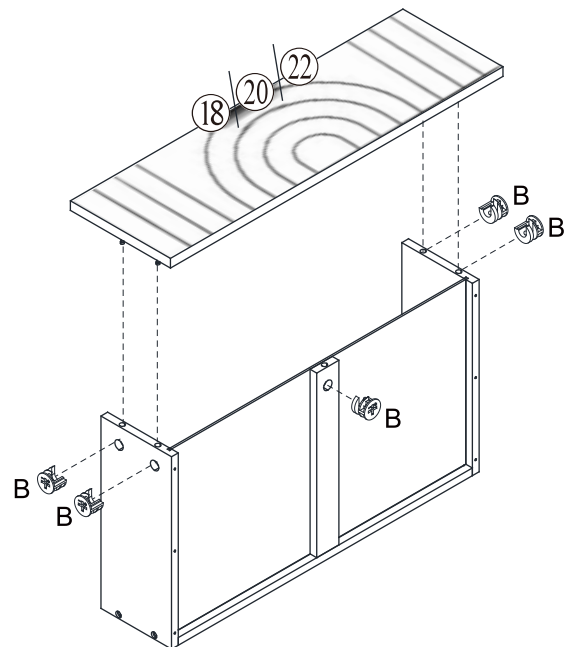
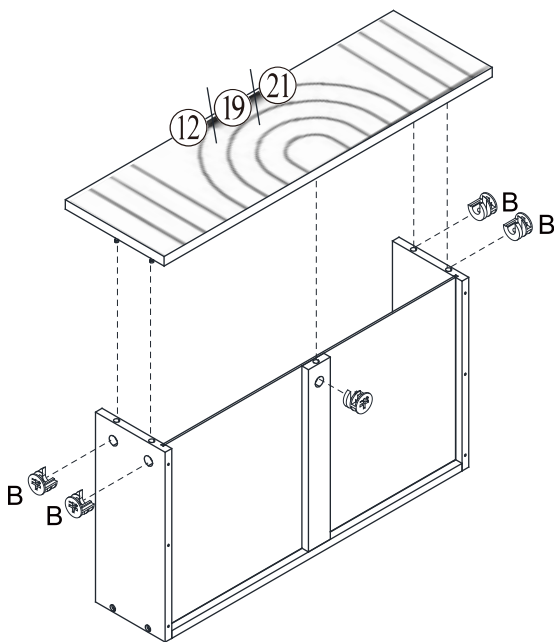
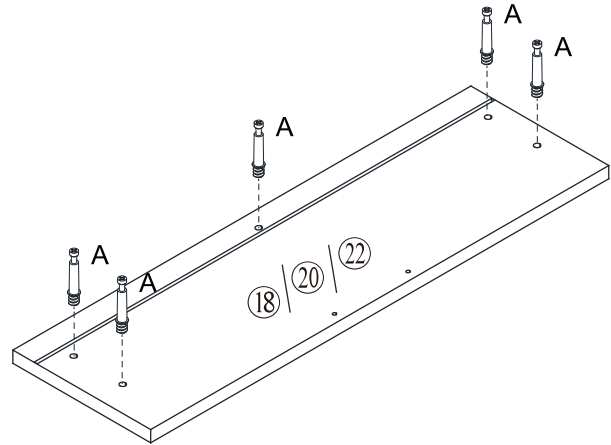
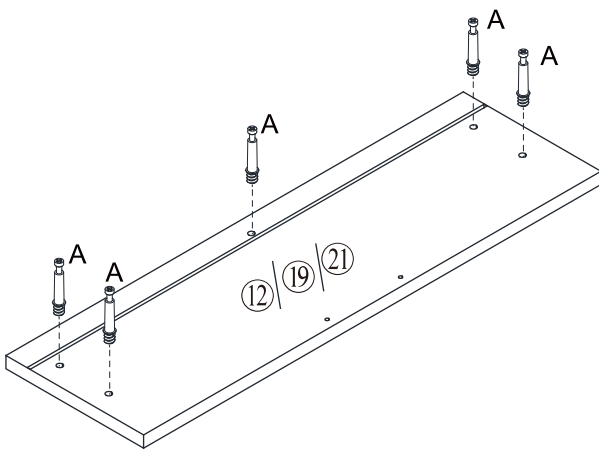
Step 11

D	X30
	


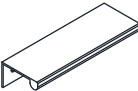


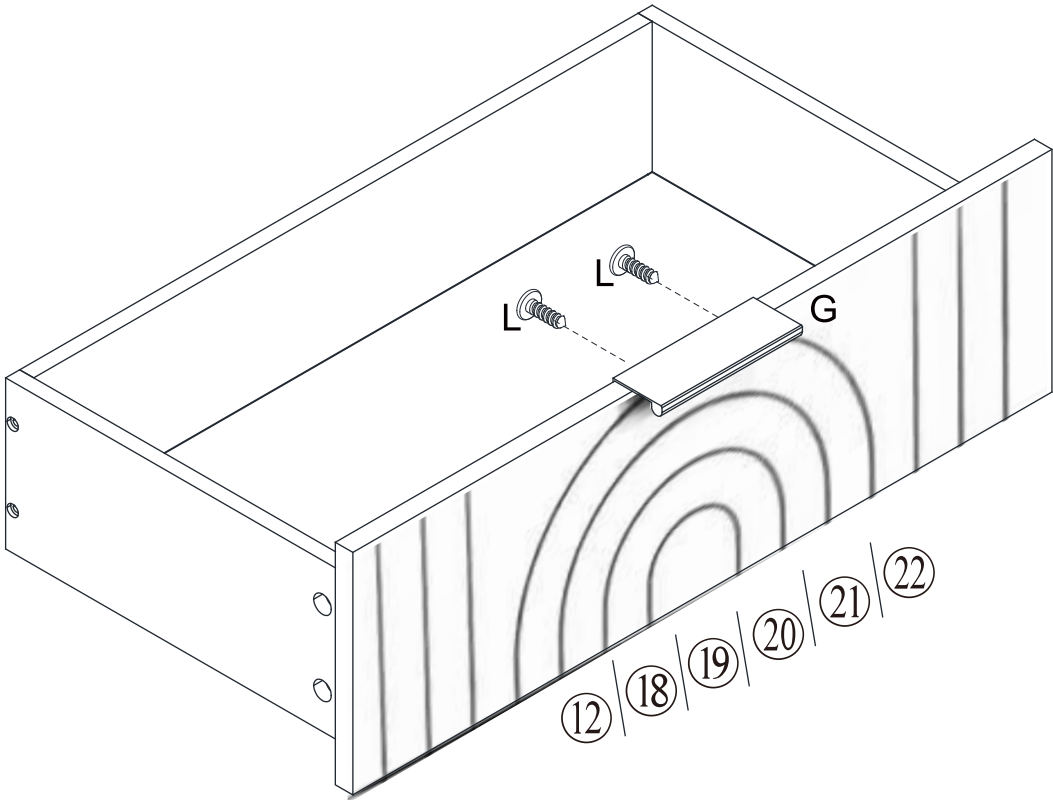
Step 12

A	X30	B	X30
			





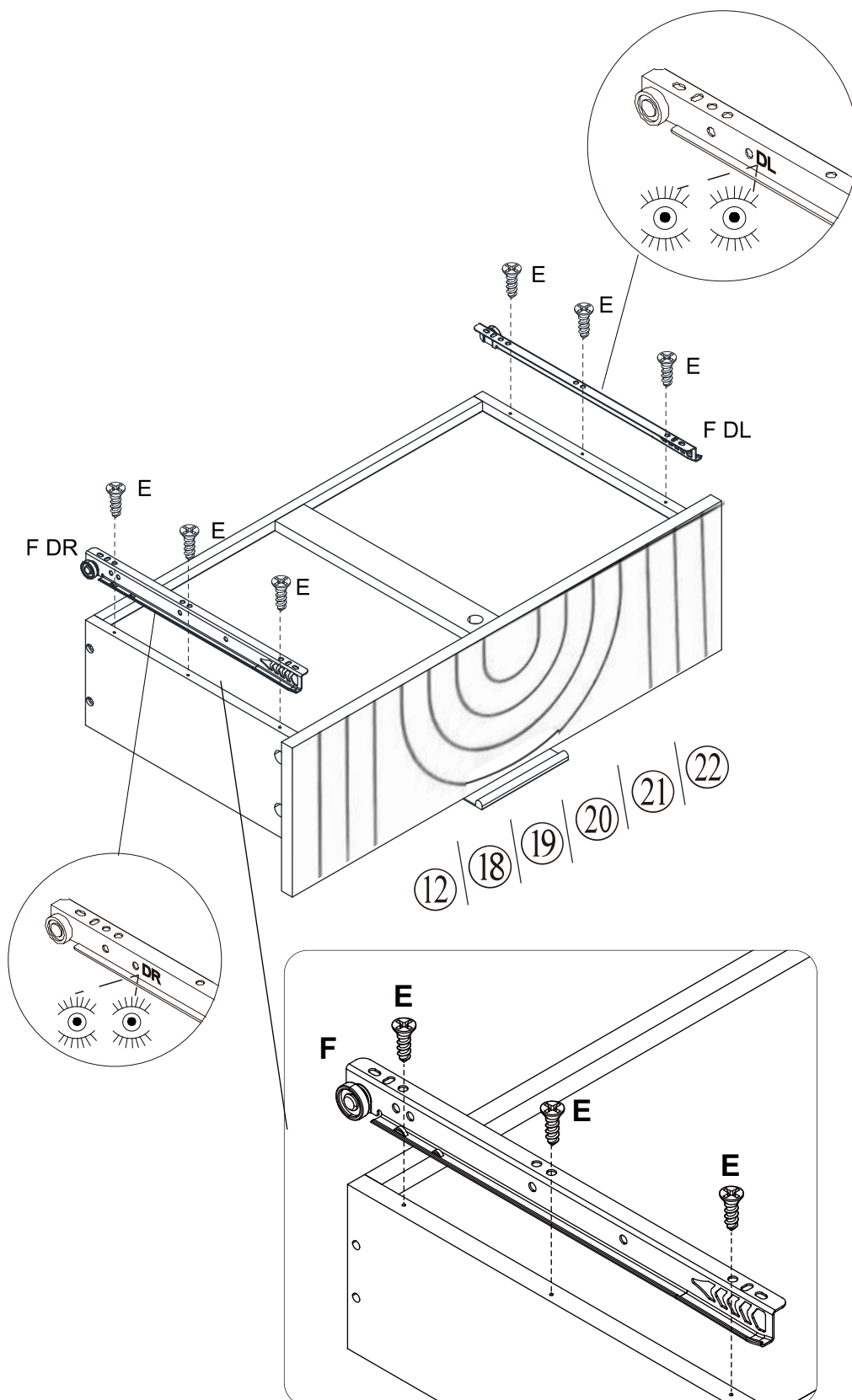
Step13

L	X12	G	X6
			

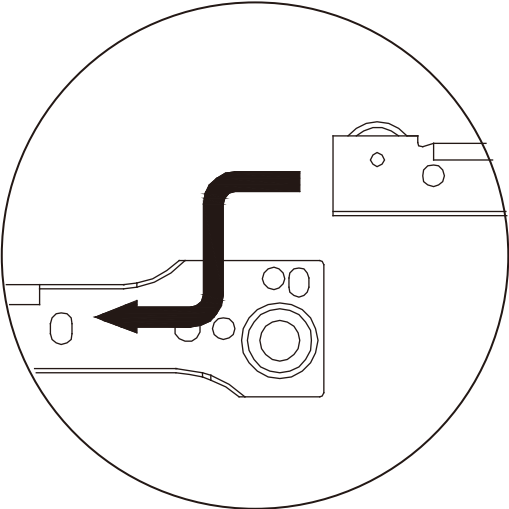
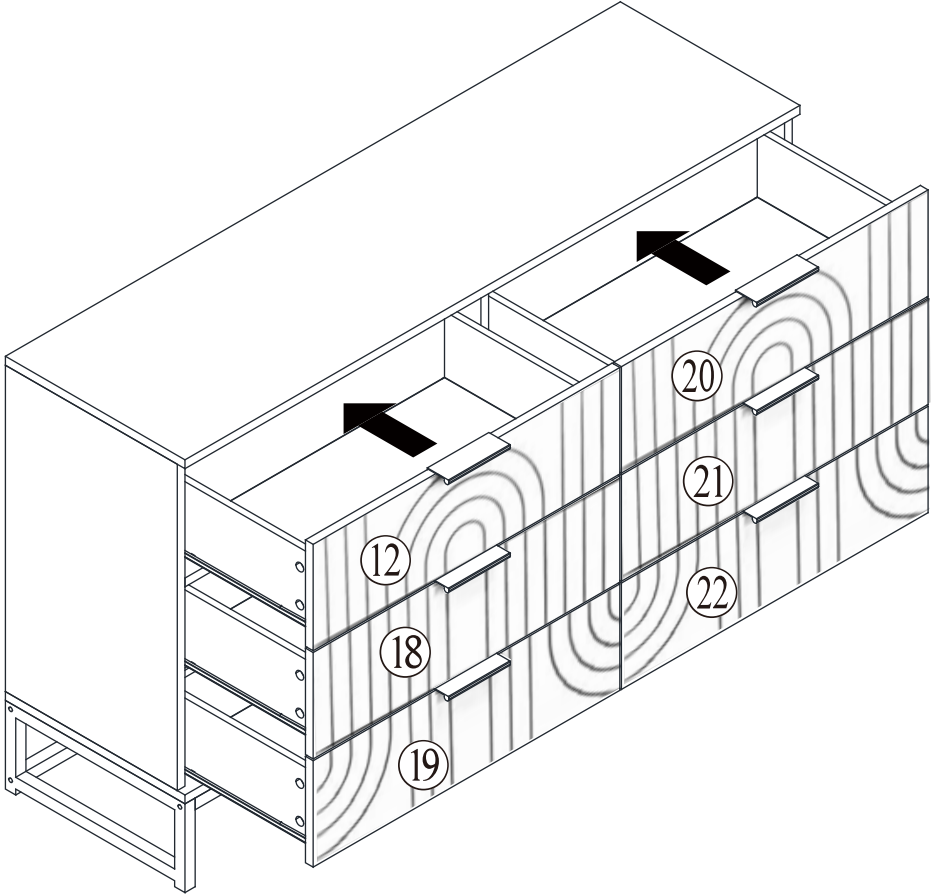


Step 14

E	X36	F	X6
			



Step 15



Step 16

D	X2	J	X2
