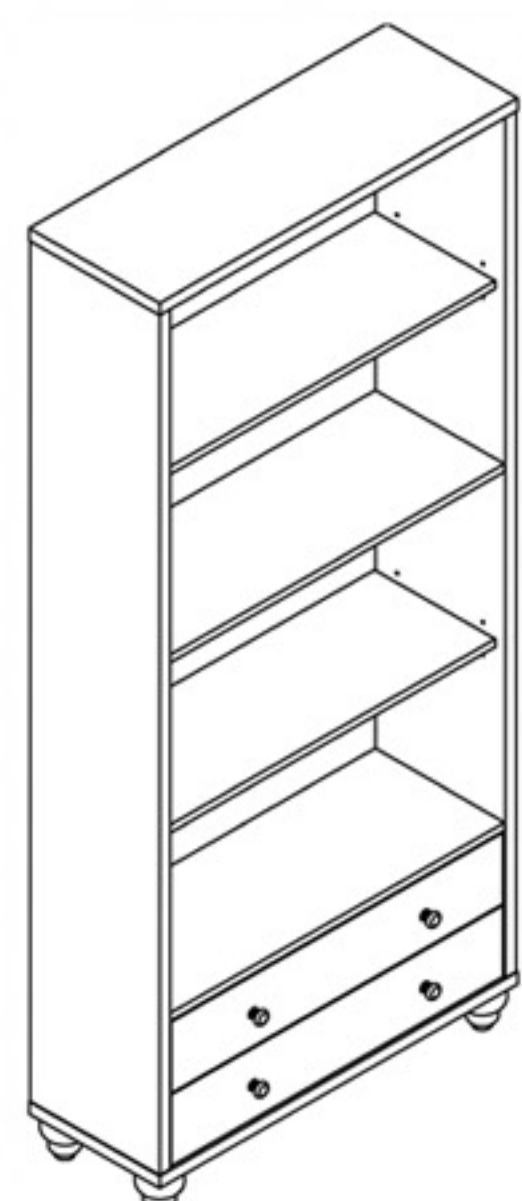


## ASSEMBLY INSTRUCTION

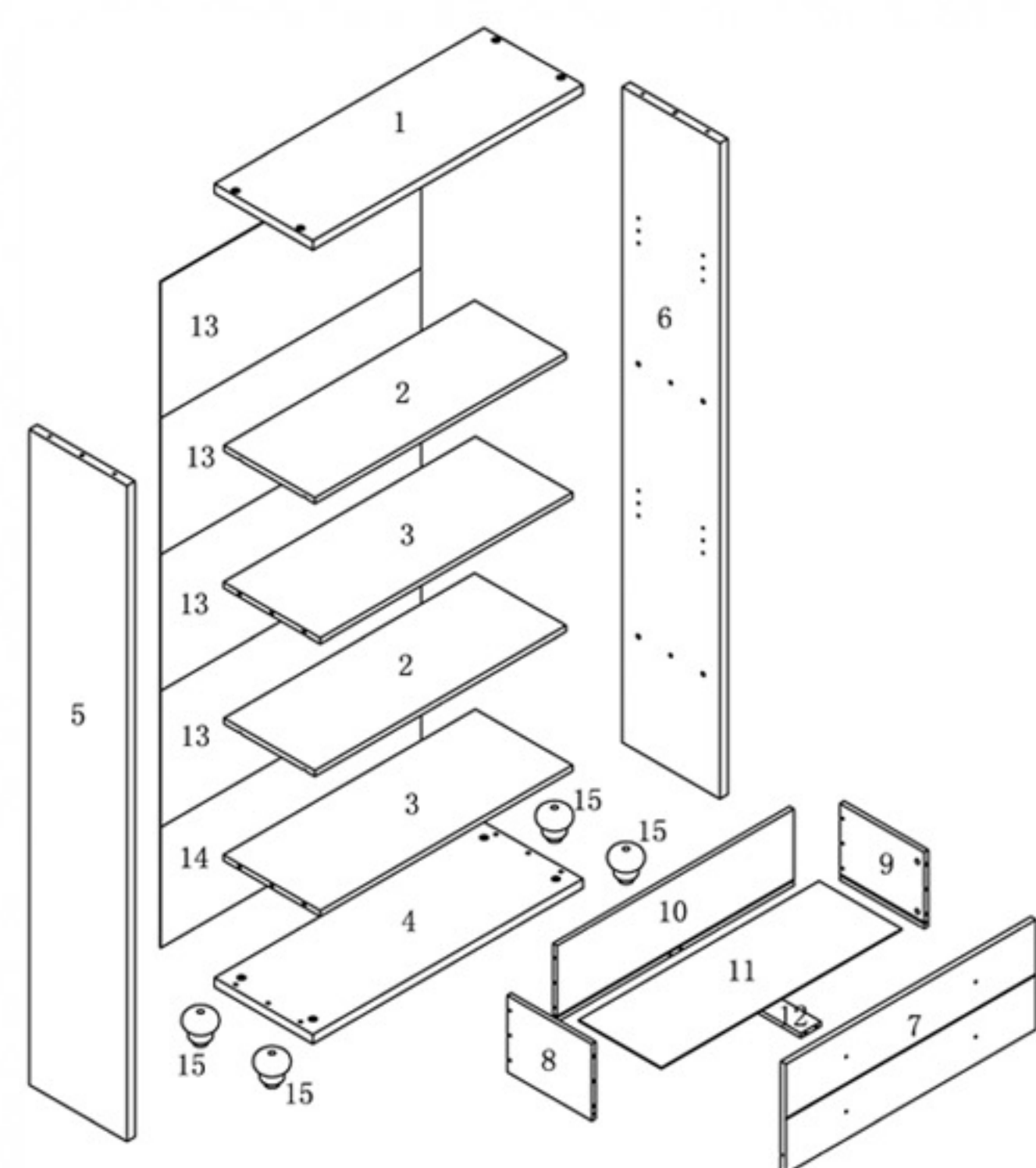
### PLEASE READ BEFORE ASSEMBLING!

Tip #1: Make sure you've taken all the pieces and hardware out of its packaging before discarding the box.

Tip #2: Using page 2 and/or page 3 of instruction manual make sure all pieces and hardware are accounted for.



## PARTS IDENTIFICATION



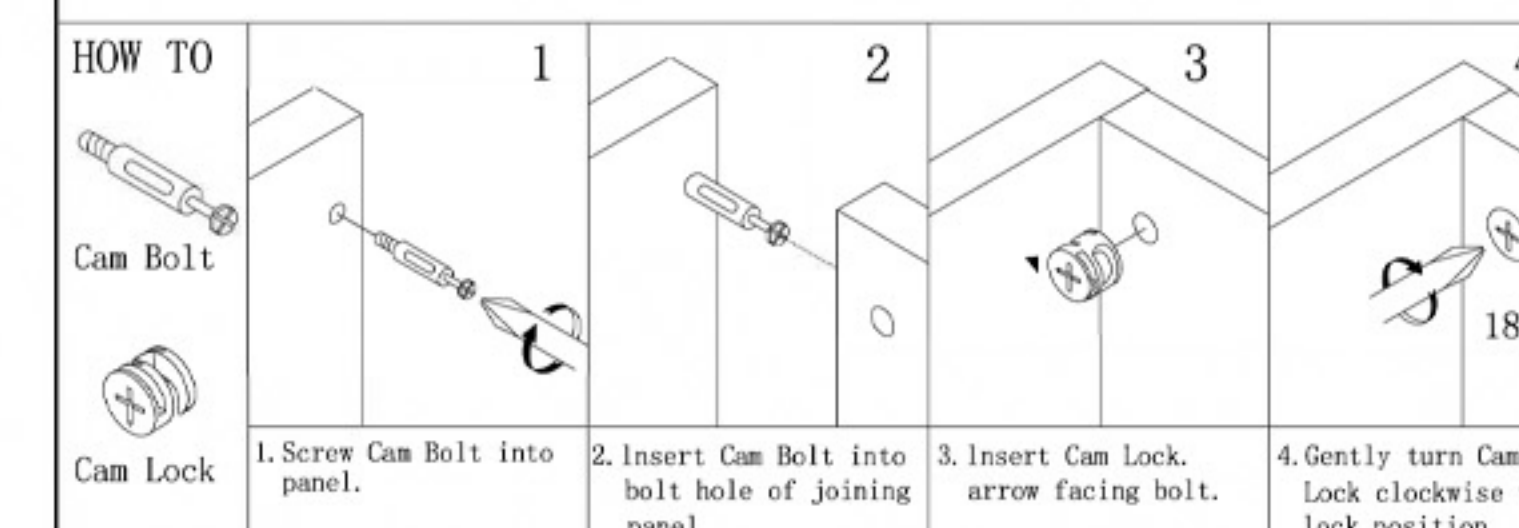
(1) 1pc	(7) 1pc	(13) 4pcs
(2) 2pcs	(8) 1pc	(14) 1pc
(3) 2pcs	(9) 1pc	(15) 2pcs
(4) 1pc	(10) 1pc	(16) 2pcs
(5) 1pc	(11) 1pc	
(6) 1pc	(12) 1pc	

## HARDWARE IDENTIFICATION

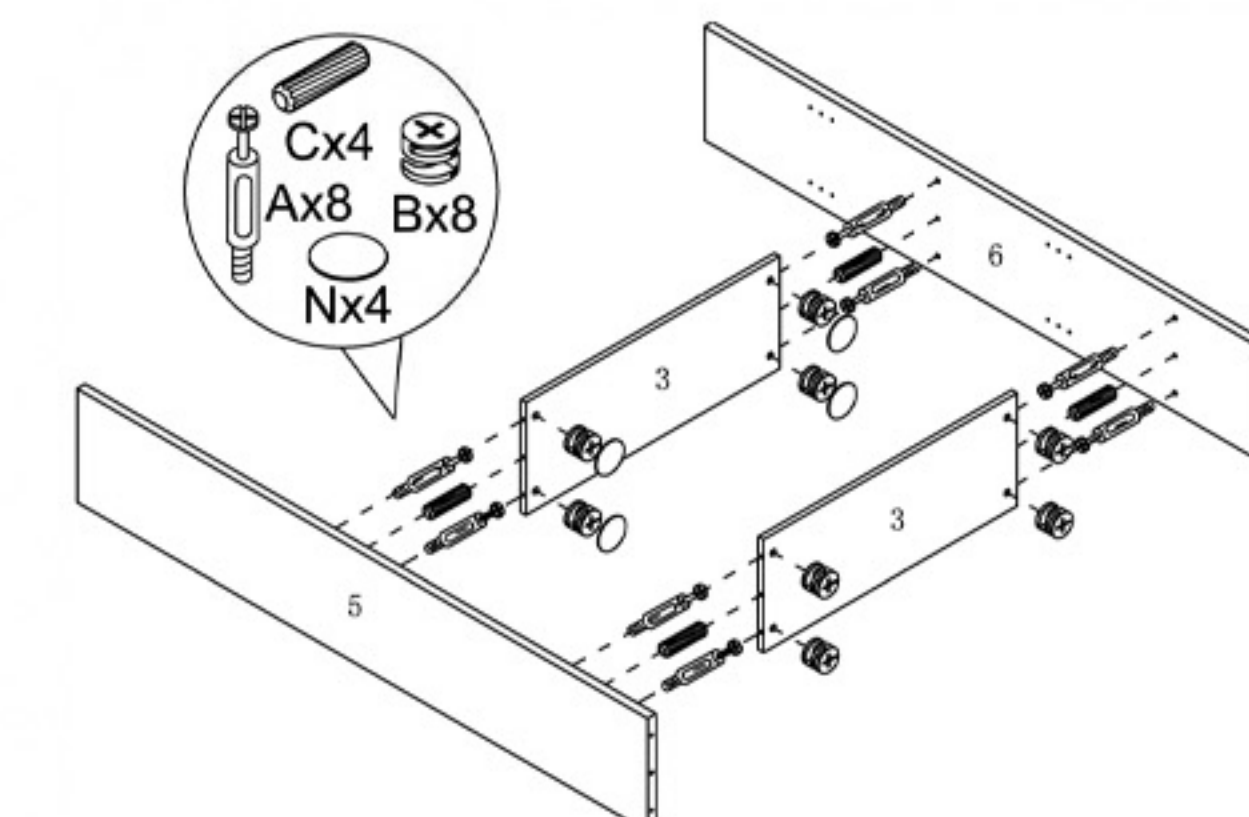
A		L29	8PCS
B		Φ15	8PCS
C		Φ8x25	8PCS
D		L20	4PCS
E		Φ12	4PCS
F		Φ6x30	4PCS
G		Φ7x48	8PCS
H		Φ8x16x2	12PCS
I		Φ25	4PCS
J		M4x22	4PCS
K		Φ8x40	4PCS
L		Φ4x30	8PCS
M		Φ5x10	8PCS
N		Φ22 (DTP)	8PCS
O			52PCS
P		197×5×1	1PC
Q		Φ4×25	1PC
R		Φ5×40	1PC
S		Φ8×40	1PC
T		12×12×1	2PCS
U		M5	1PC
V			1PC

Glue: For securing please apply to wood dowel first before inserting into panel.

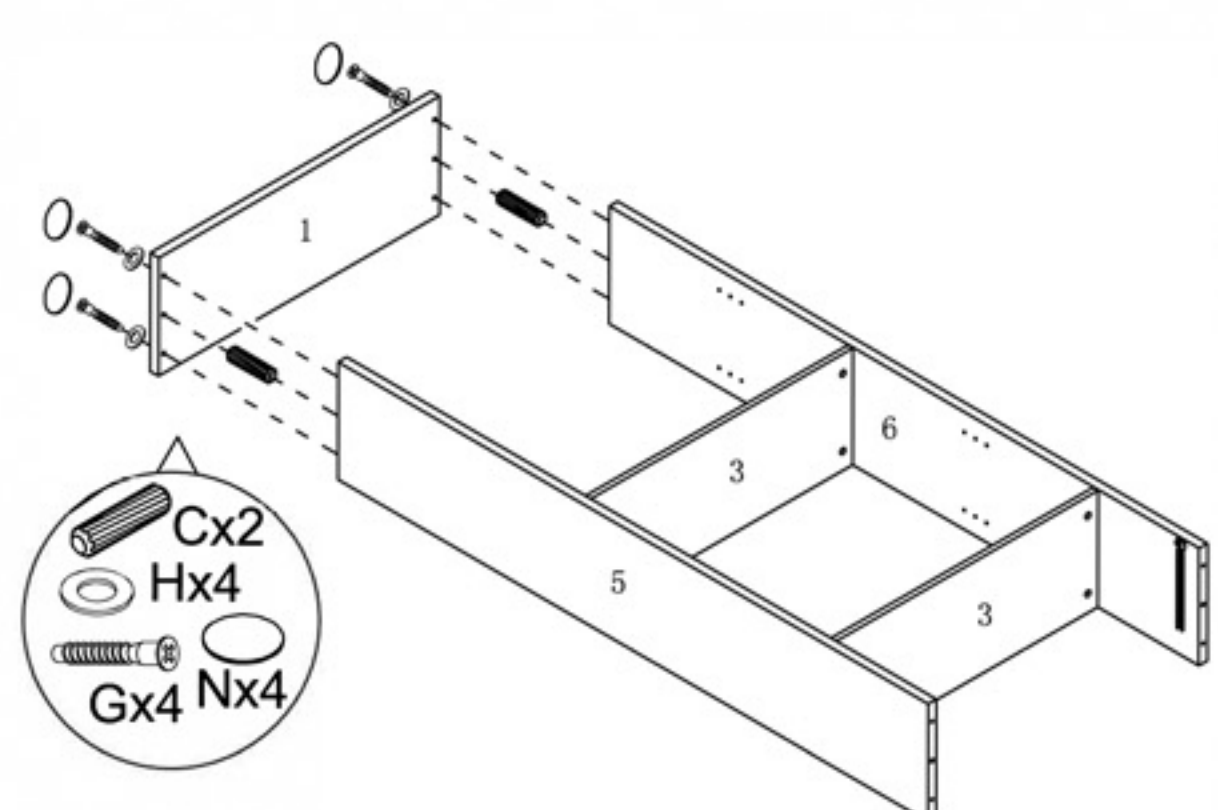
## HARDWARE IDENTIFICATION



### STEP1

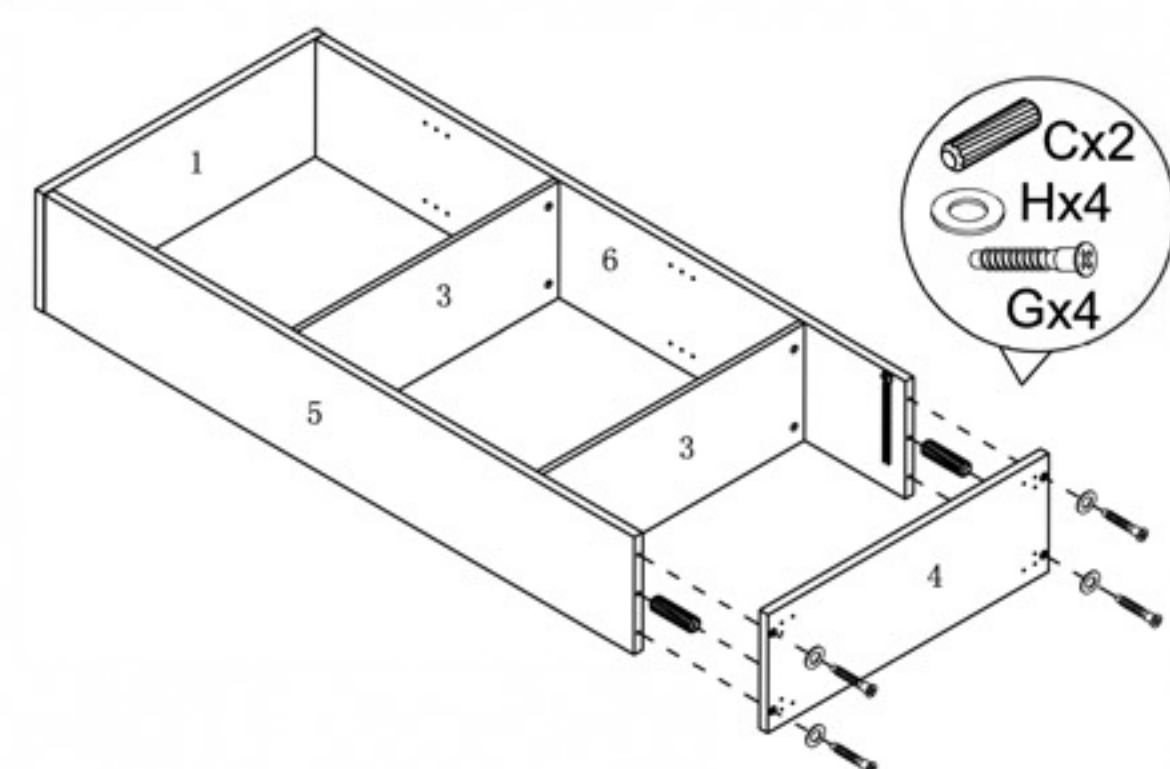


## HARDWARE IDENTIFICATION

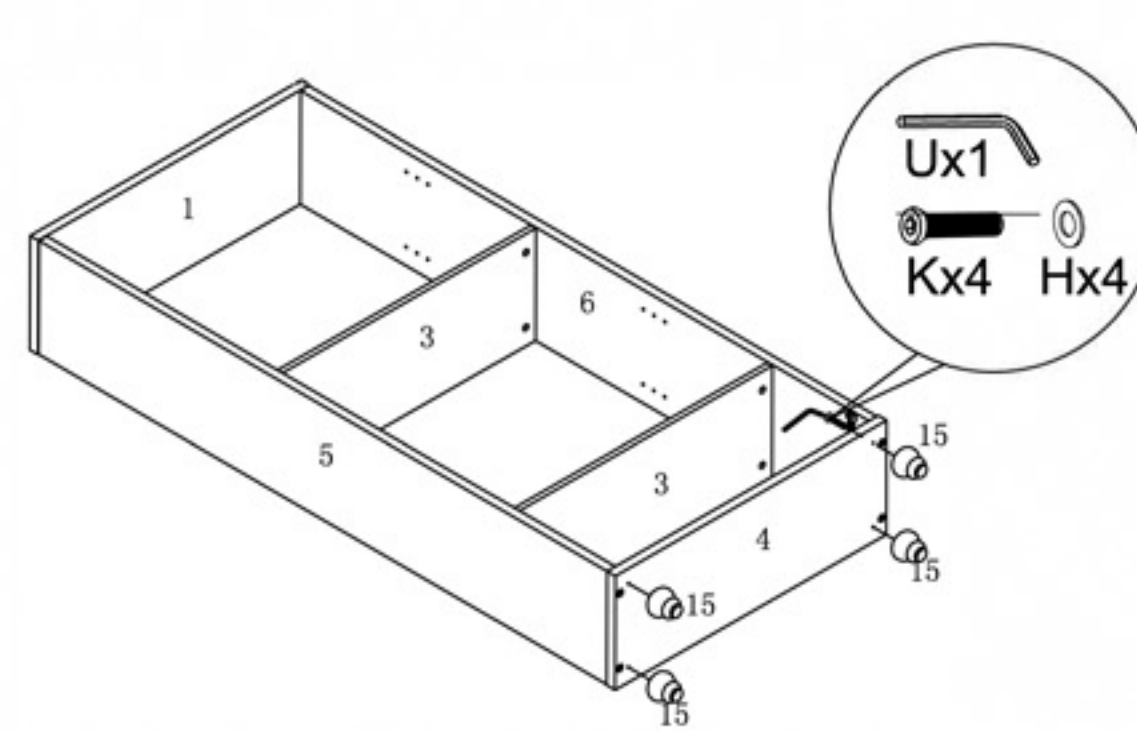


### STEP2

### STEP3

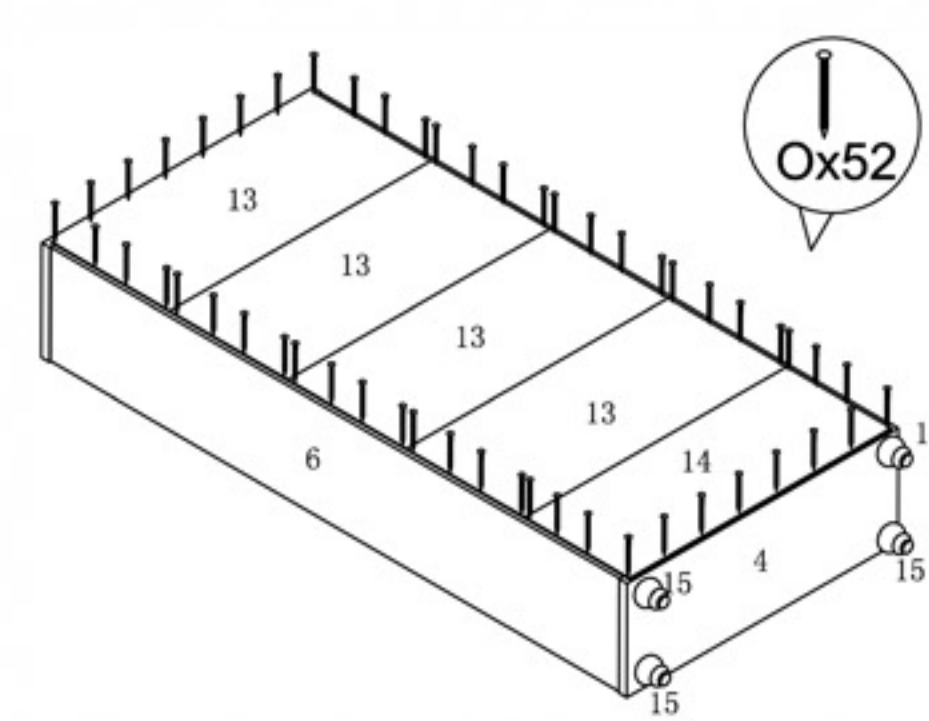


## HARDWARE IDENTIFICATION

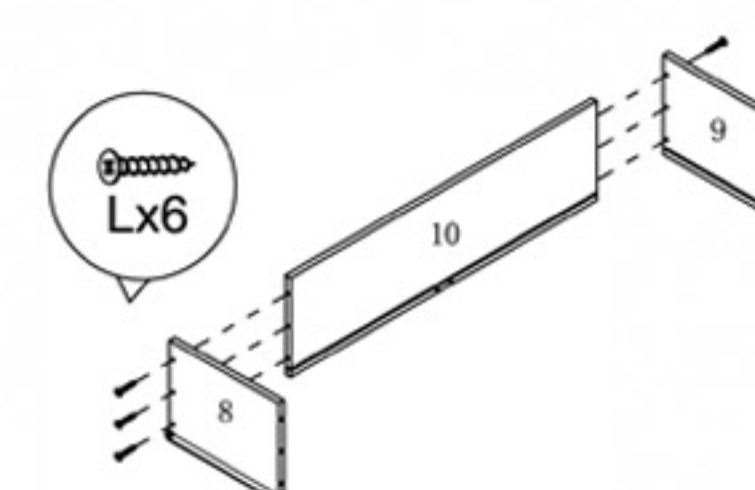


### STEP4

### STEP5

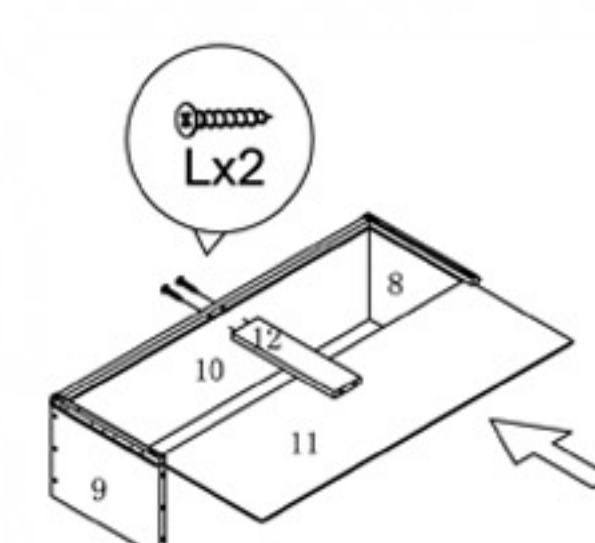


## HARDWARE IDENTIFICATION

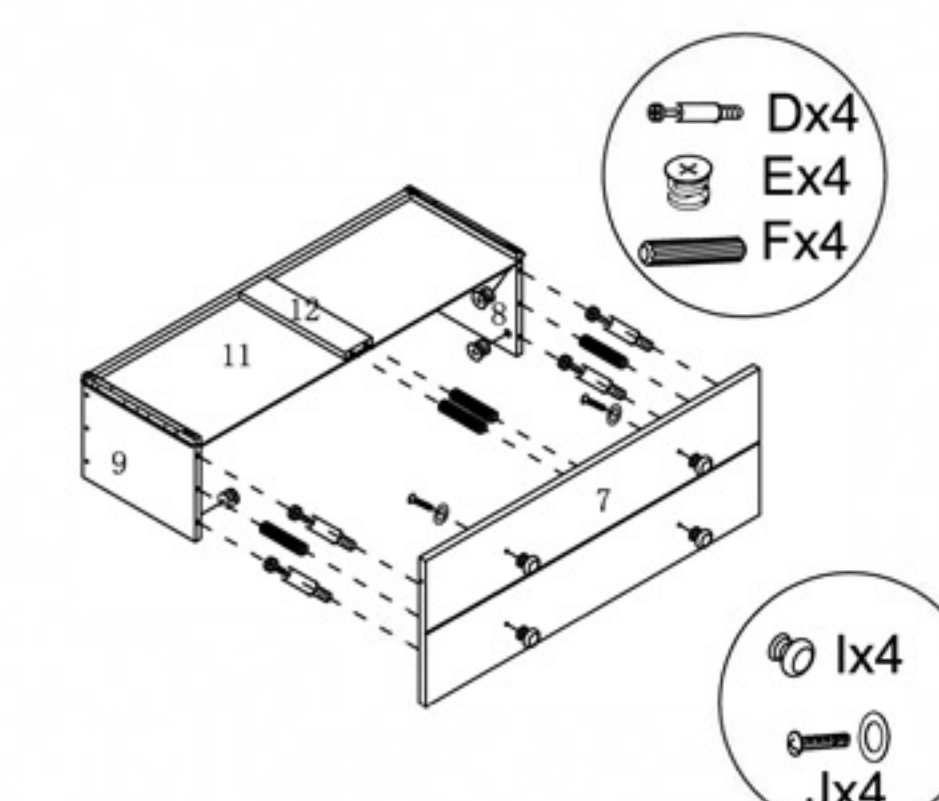


### STEP6

### STEP7

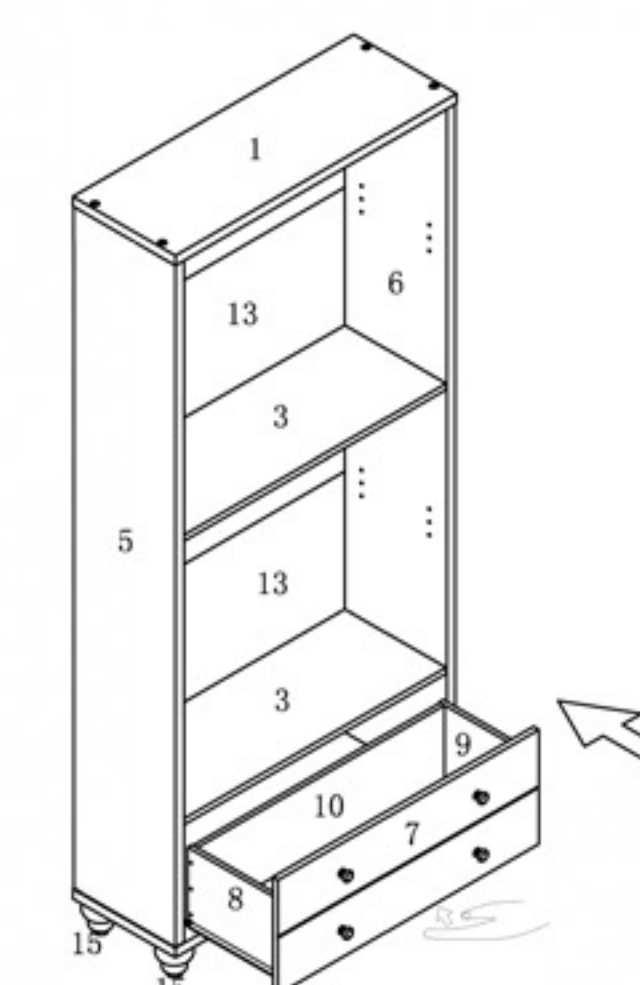


## HARDWARE IDENTIFICATION



### STEP8

### STEP9

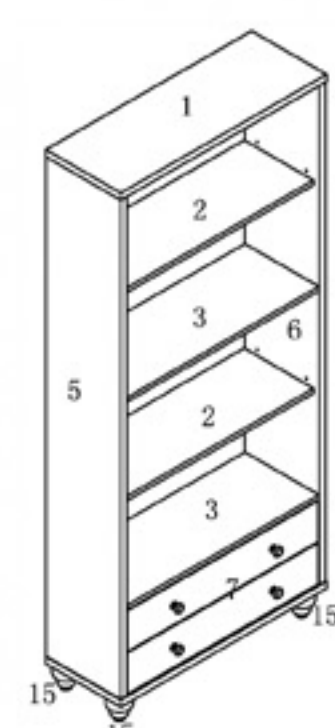


## ASSEMBLY INSTRUCTION



### STEP10

### STEP11



## ANTI-TIPPING STRAP INSTRUCTION

### HARDWARE (INCLUDED) :

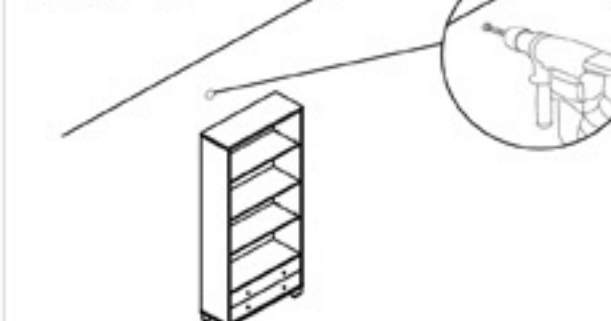
- DRYWALL ANCHOR Φ8X40 X 1PC
- METAL BRACKETS 12×12×1 X 2PCS
- DRYWALL SCREW Φ5X40 X 1PC
- STRAP 197×5×1 X 1PC
- FLATHEAD SCREW Φ4X25 X 1PC

### TOOLS NEEDED ( NOT INCLUDED) :

- DRILL & DRILL BIT
- LIGHT HAMMER

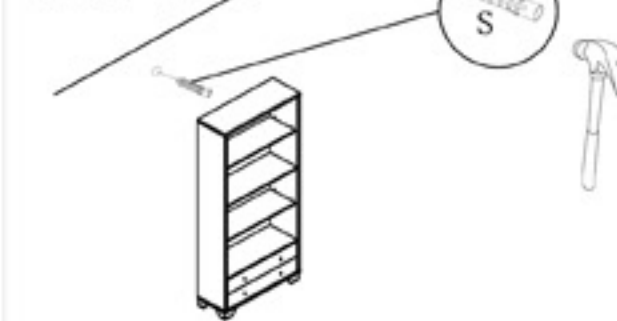
Note: Hardware included only compatible with standard drywalls.

### STEP 1



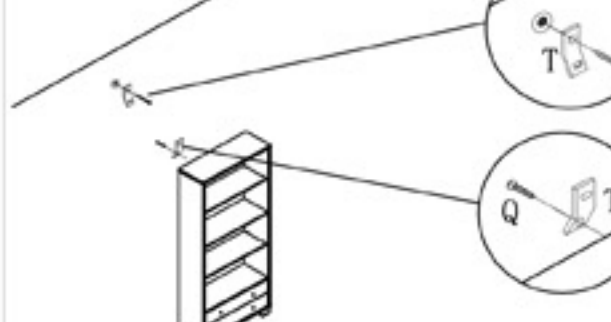
1. Find spot on wall 1" below top of item.
2. Using a drill bit slightly thinner than anchor, drill hole into drywall.

### STEP 2



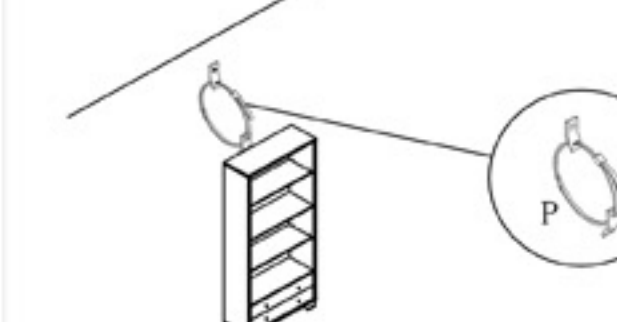
1. Use a light hammer to tap anchor into hole.
2. Anchor should fit snugly. If hole is too small, drill again to increase hole size. Do not force anchor into wall.

### STEP 3



1. Insert drywall screw into metal bracket and into drywall anchor.
2. Insert flathead screw into second metal bracket and into back of item along top edge. Assembly is complete.

### STEP 4



1. Insert strap thru bracket attached to wall, then thru bracket on item, and into head of strap.
2. Pull lightly till strap stops. Assembly is complete.

## ASSEMBLY INSTRUCTION

