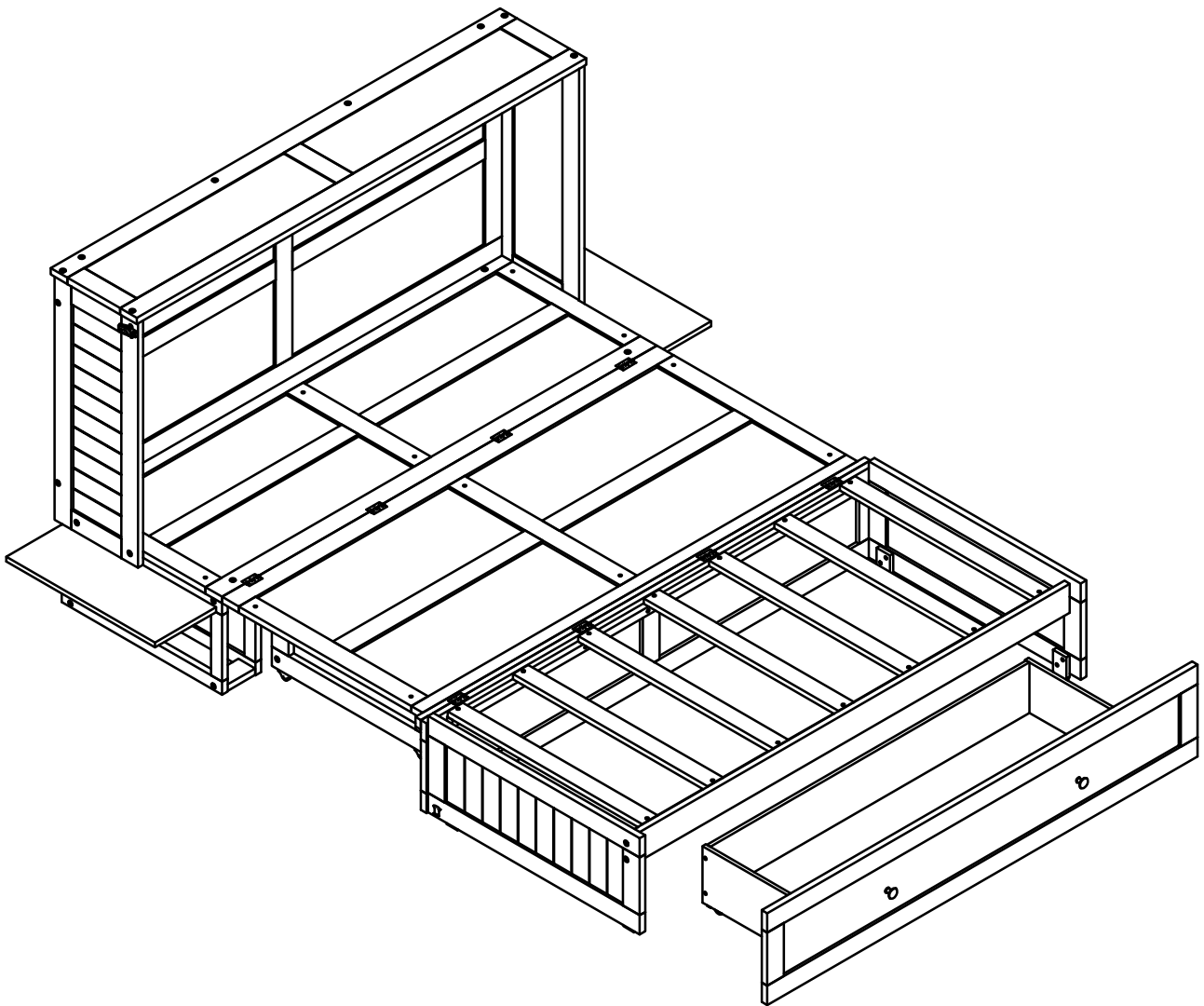


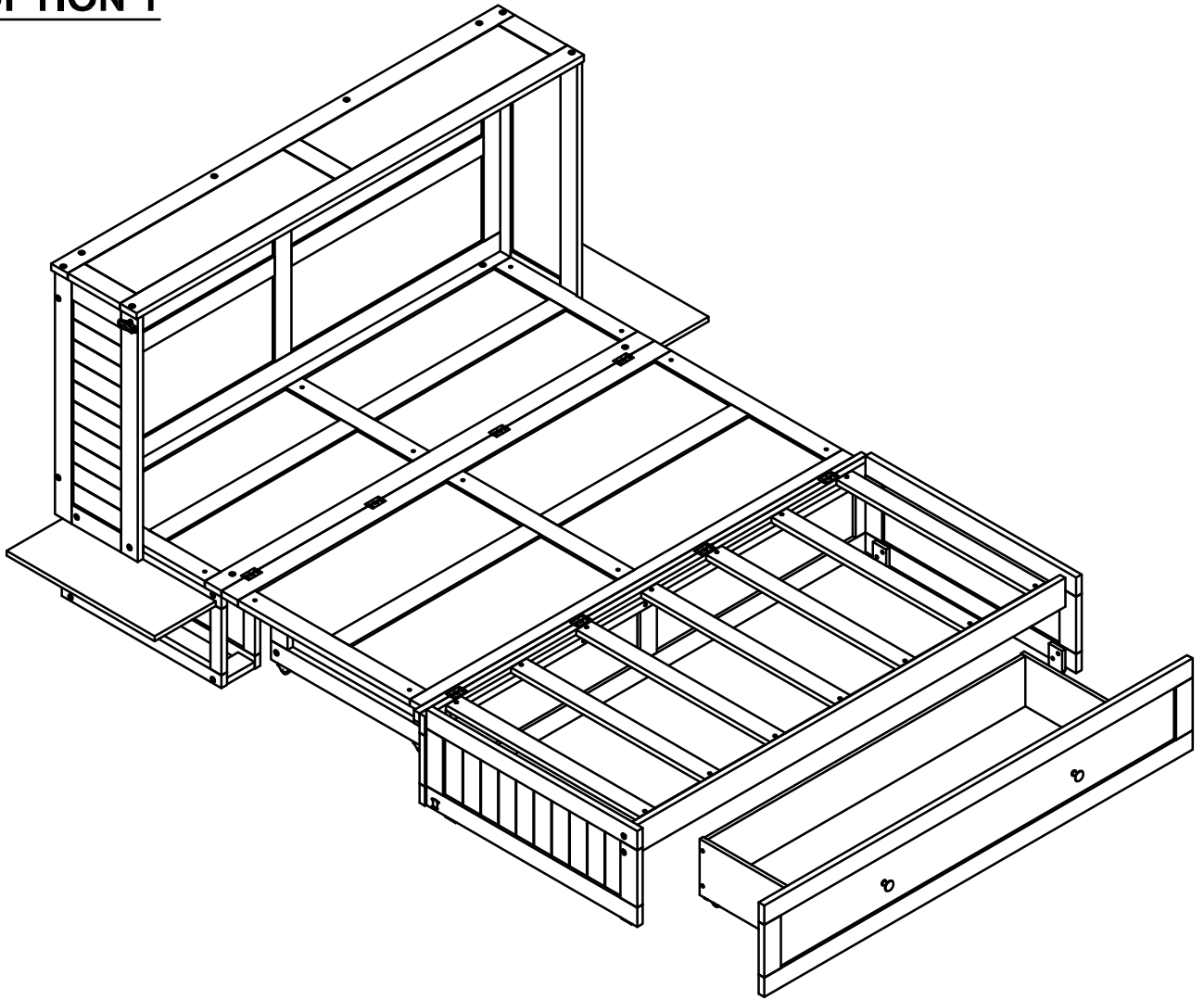
ASSEMBLY INSTRUCTION

SKU CODE: (WF311242-WF311243)

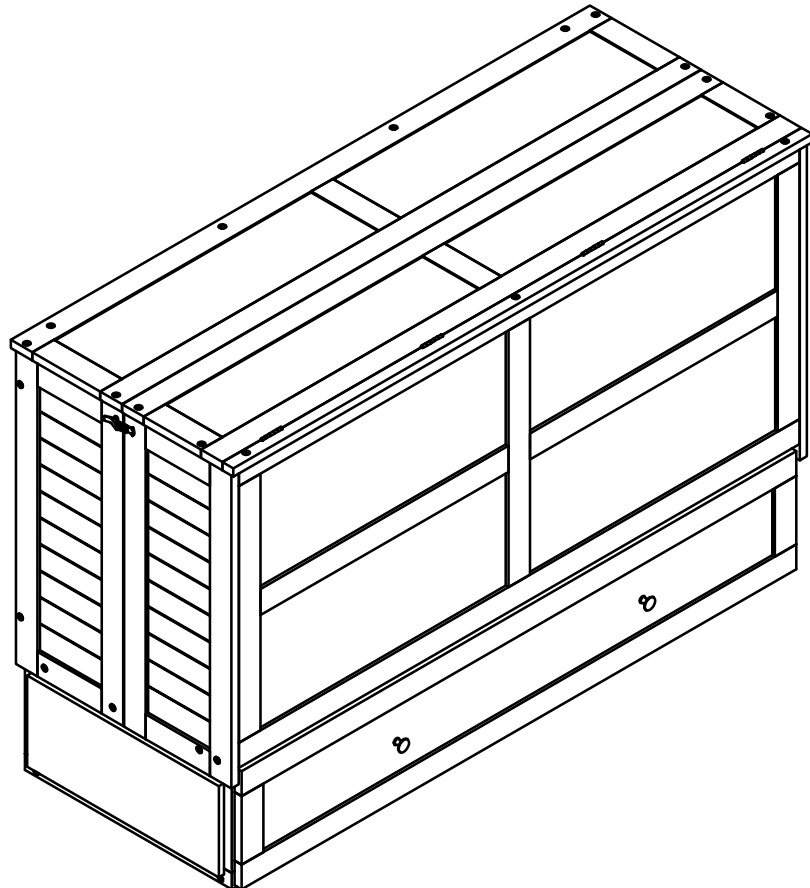


1. Follow the information on the warning label appearing on the upper bunk end structure and on the carton... Do not remove warning label from bed.
2. Always use the recommended size mattress or mattress support, or both, to help prevent the likelihood of entrapment or falls.
3. Surface of mattress must be at least 5 inches below the upper edge of guard rails.
4. Do not allow children under 6 years to use the upper bunk.
5. Prohibit more than one person on upper bunk.
6. Periodically check and ensure that the guardrail, ladder, and other components are in their proper position, free from damage, and that all connectors are tight.
7. Do not allow horseplay on or under the bed and prohibit jumping on the bed.
8. Always use the ladder for entering and leaving upper bunk.
9. Do not use substitute part. Contact the manufacturer or dealer for replacement part.
10. Use of night light may provide added safety precaution for a child using the upper bunk.
11. If the bunk bed will be placed next to a wall, the guardrail that runs the full length of the bed should be placed against the wall to prevent entrapment between the bed and the wall.
12. Always use guardrail on both long sides of the upper bunk.
13. The use of water or sleep flotation mattresses is prohibited.
14. Keep these instruction for future reference.
15. Strangulation Hazard - Never attach or hang items to any part of the bunk bed that are not designed for use with the bed, for example, but not limited to hooks, belts and jump rores.
16. Trundle : Only use for mattress 6 inch.

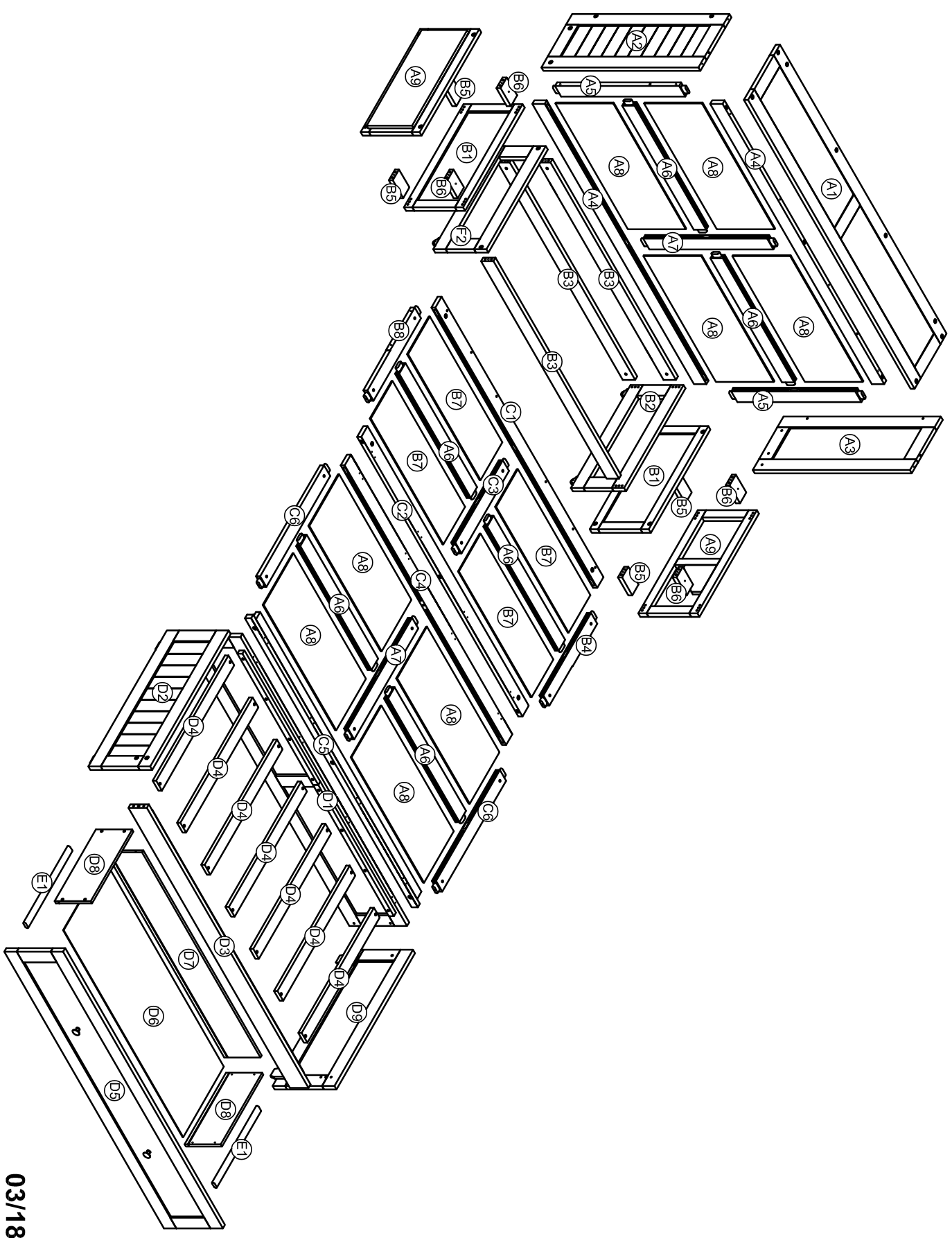
OPTION 1



OPTION 2

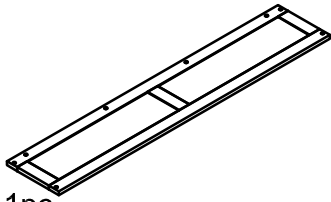


ASSEMBLY INSTRUCTION



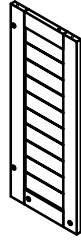
Part List & Hardware List (Box 1-WF311242)

A1



Panel-1pc

A2



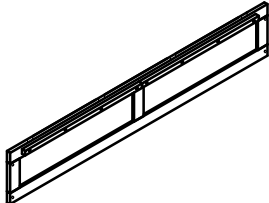
Panel-1pc

A3



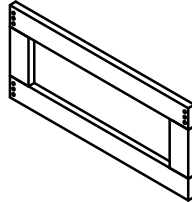
Panel-1pc

D1



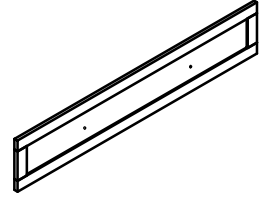
Panel-1pc

B2



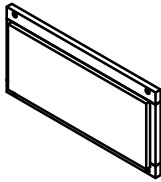
Panel-1pc

D5



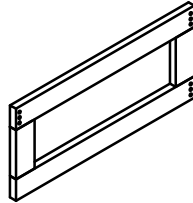
Drawer front -1pc

A9



Panel-2pcs

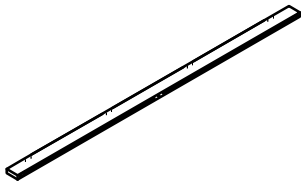
F2



Panel-1pc

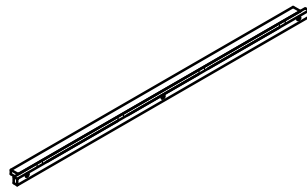
Part List (Box 2-WF311243)

C4



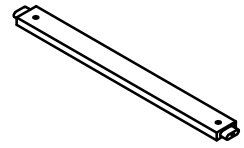
WoodBar-1pc

C5



WoodBar-1pc

C6



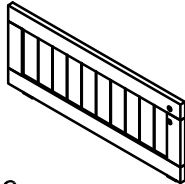
WoodBar-2pcs

C3



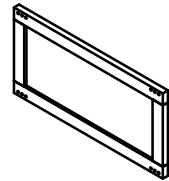
WoodBar-1pc

D2



Panel-1pc

B1



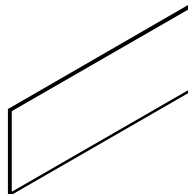
Panel-2pcs

A7



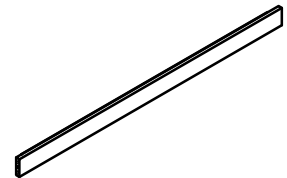
WoodBar-2pcs

A8



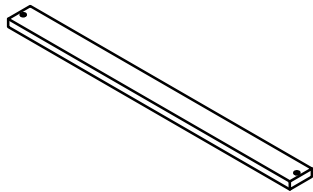
Panel-8pcs

D3



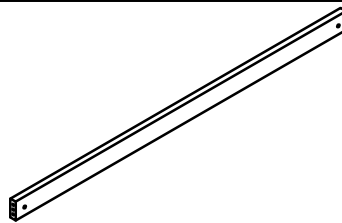
WoodBar-1pc

D4



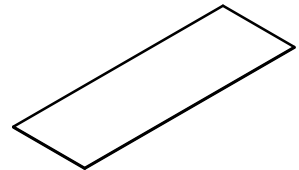
Slats-7pcs

B3



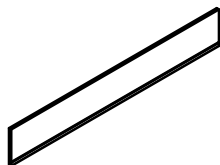
WoodBar-3pcs

D6



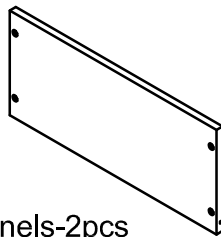
Drawer Bottom Panels-1pc

D7



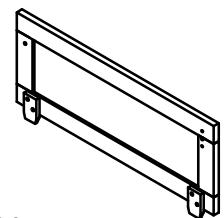
Drawer Rear-1pc

D8



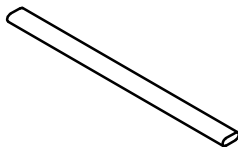
Drawer panels-2pcs

D9



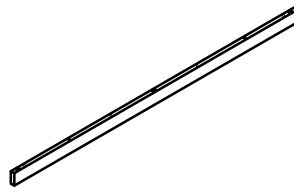
Panel-1pc

E1



WoodBar-2pcs

A4



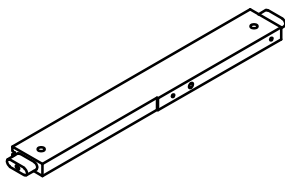
WoodBar-2pcs

A5



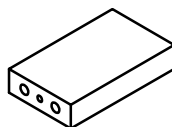
WoodBar-2pcs

B4



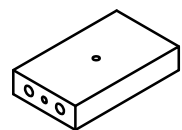
WoodBar-1pc

B5



WoodBar-4pcs

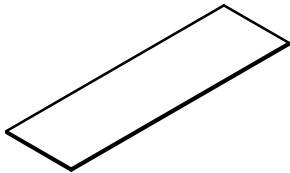
B6



WoodBar-4pcs

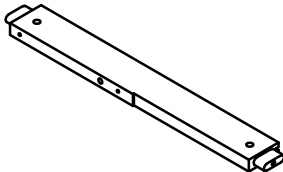
Part List (Box 2-WF311243)

B7



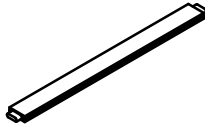
Panel-4pcs

B8



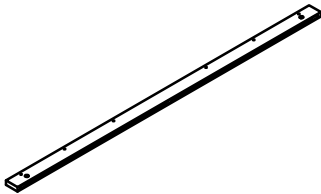
WoodBar-1pc

A6



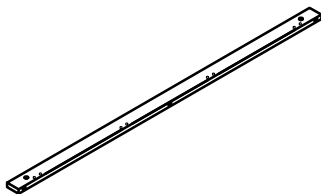
WoodBar-6pcs

C1



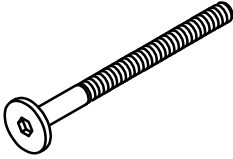

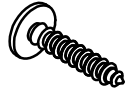

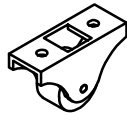
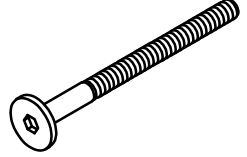
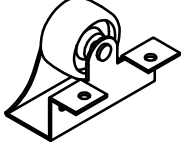

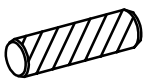
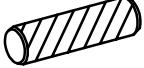

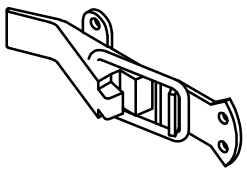


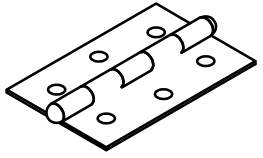


WoodBar-1pc

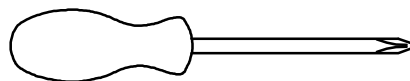
C2



WoodBar-1pc

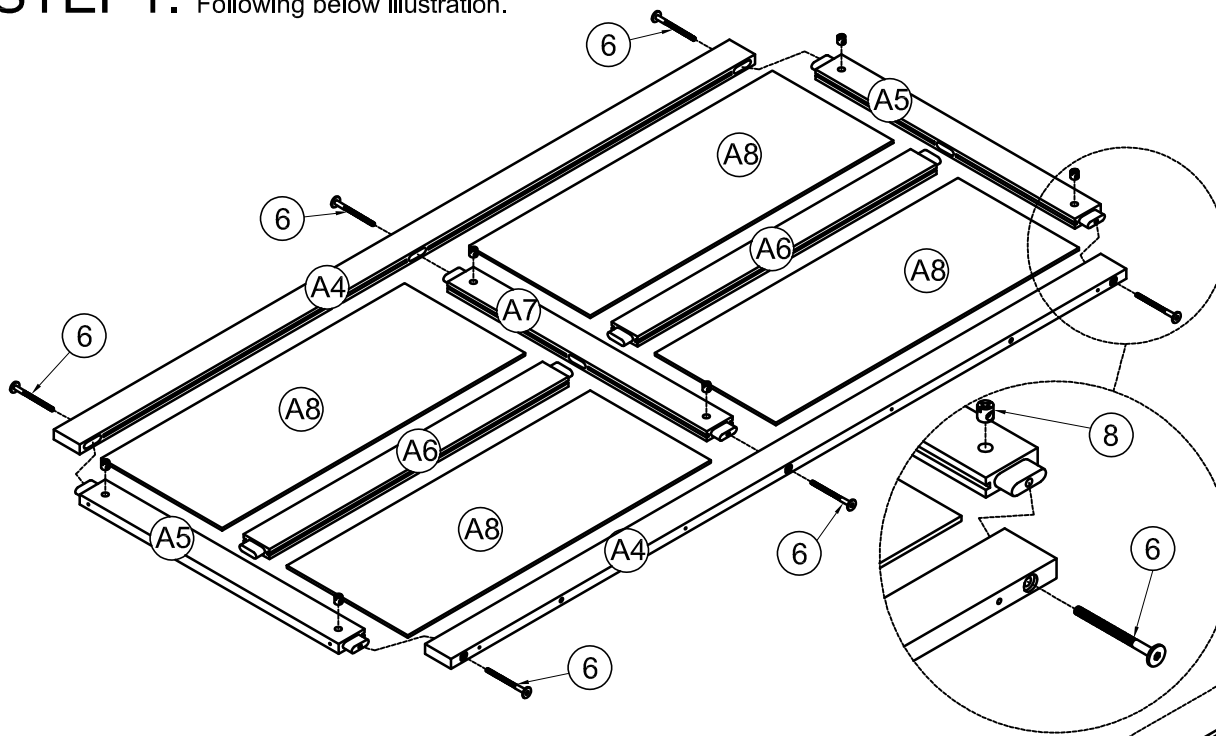
Hardware List (Box 1-WF311242)

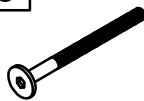

<p>1</p>  <p>Ø1/4" x 60 mm Hex-Head bolts 14pcs</p>	<p>2</p>  <p>M4 x 25 mm Wood Screws 2pcs</p>	<p>3</p>  <p>Screws 1/4" x30 4pcs</p>
<p>4</p>  <p>Screws 1/4" x40 36pcs</p>	<p>5</p>  <p>Wheels 4pcs</p>	<p>6</p>  <p>Screws 1/4" x100 18pcs</p>
<p>7</p>  <p>Wheels 4pcs</p>	<p>8</p>  <p>Ø1/4" x 13 mm Horizontal-Hole bolts 32pcs</p>	<p>9</p>  <p>Ø10 x 40 mm Wood dowel 34pcs</p>
<p>10</p>  <p>Ø8 x 30 mm Wood dowel 24pcs</p>	<p>11</p>  <p>Allen Key 1pc</p>	<p>12</p>  <p>Padlock 2pcs</p>
<p>13</p>  <p>M4 x 30 mm Wood Screws 28pcs</p>	<p>14</p>  <p>M3 x 15 mm Wood Screws 64pcs</p>	<p>15</p>  <p>Hinge 8pcs</p>
<p>16</p>  <p>Handle Wood 2pcs</p>	<p>17</p>  <p>M3.5 x 12 mm Wood Screws 12pcs</p>	

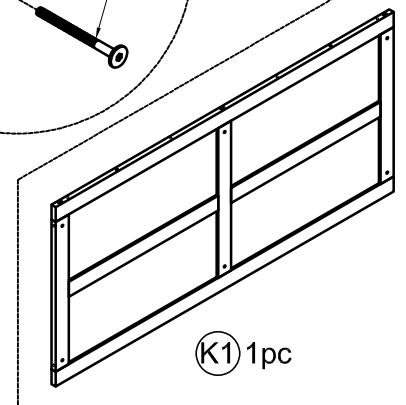


Assembly Tools Required (Not Included)

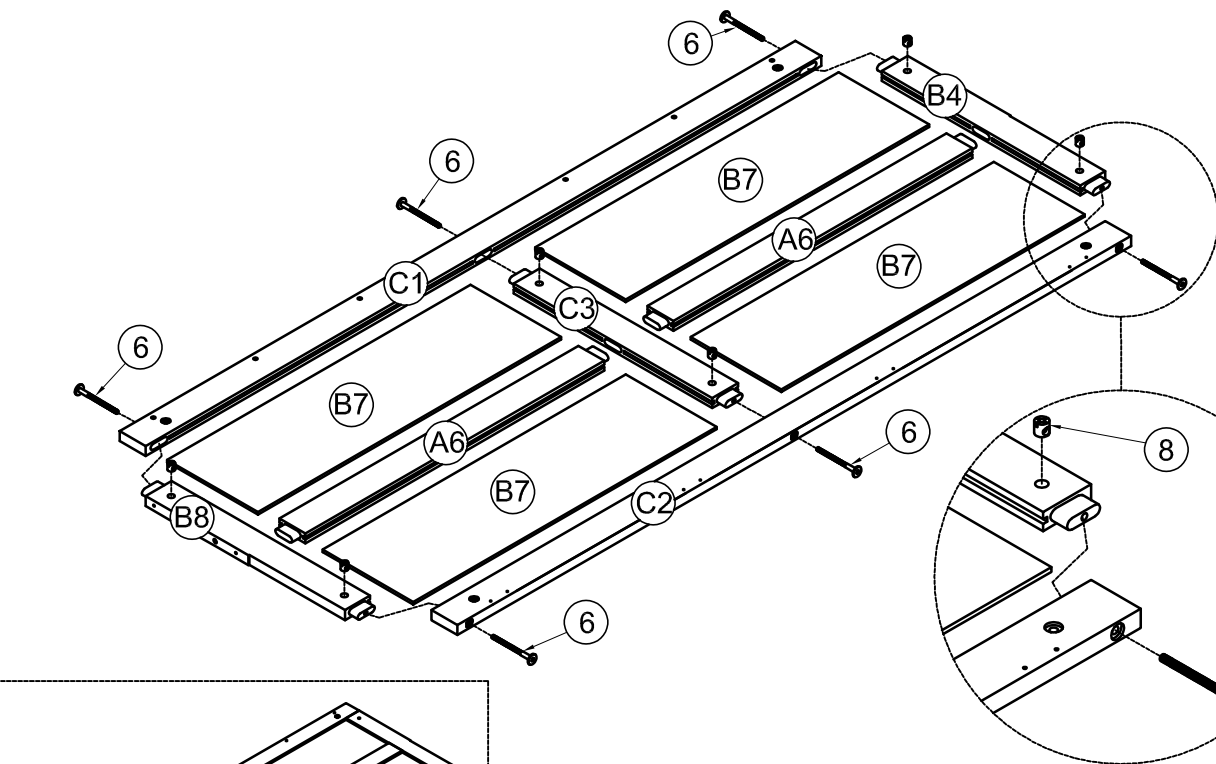
STEP1: Following below illustration.





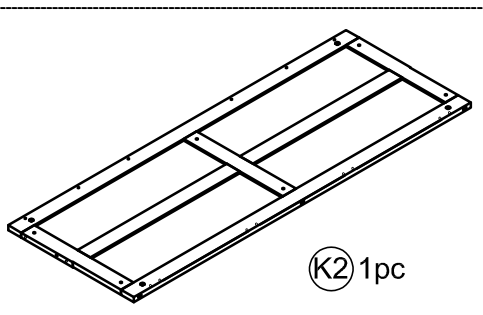
- 6
- 
- 6(pcs)
- 8
- 
- 6(pcs)



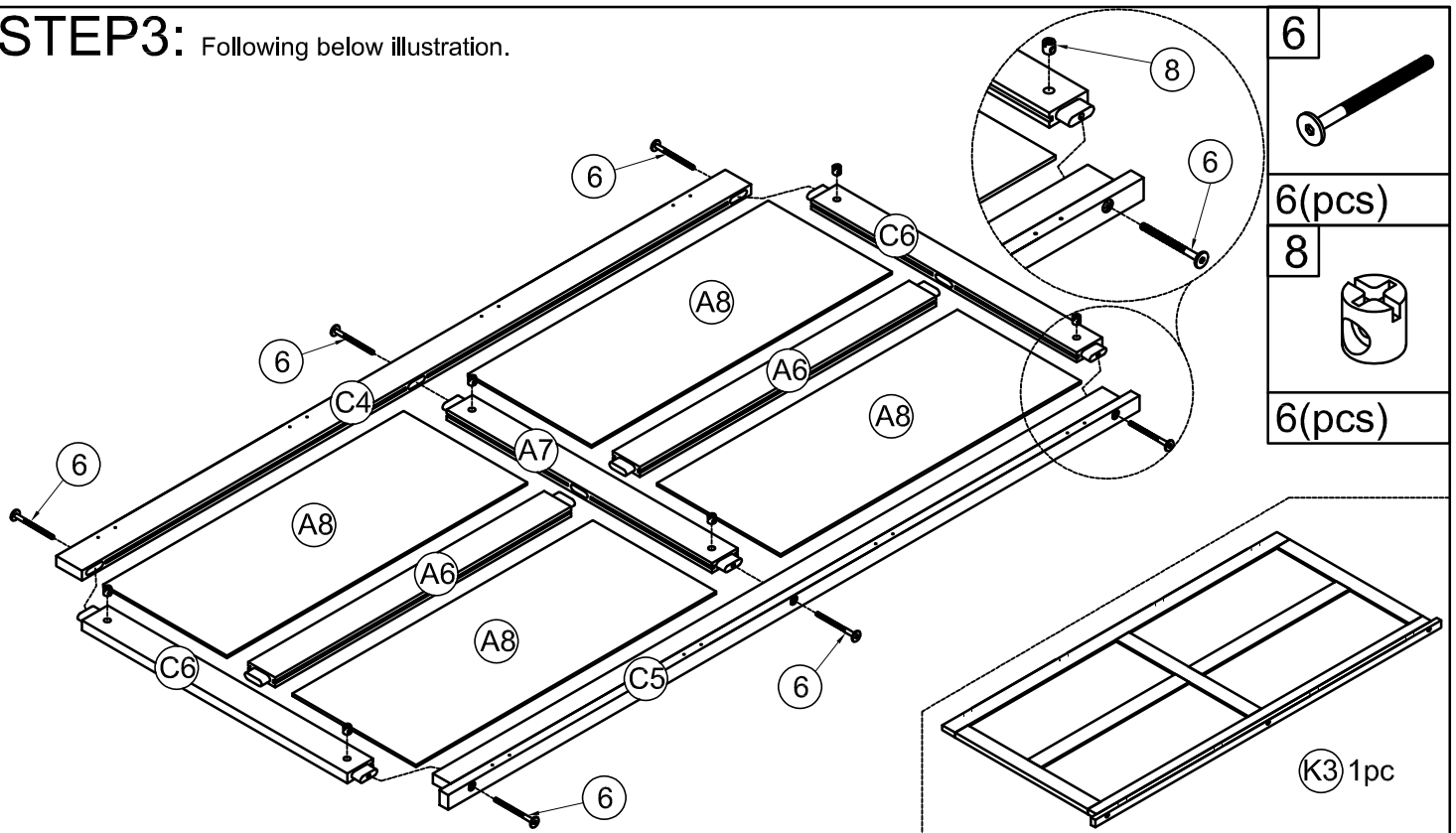
STEP2: Following below illustration.



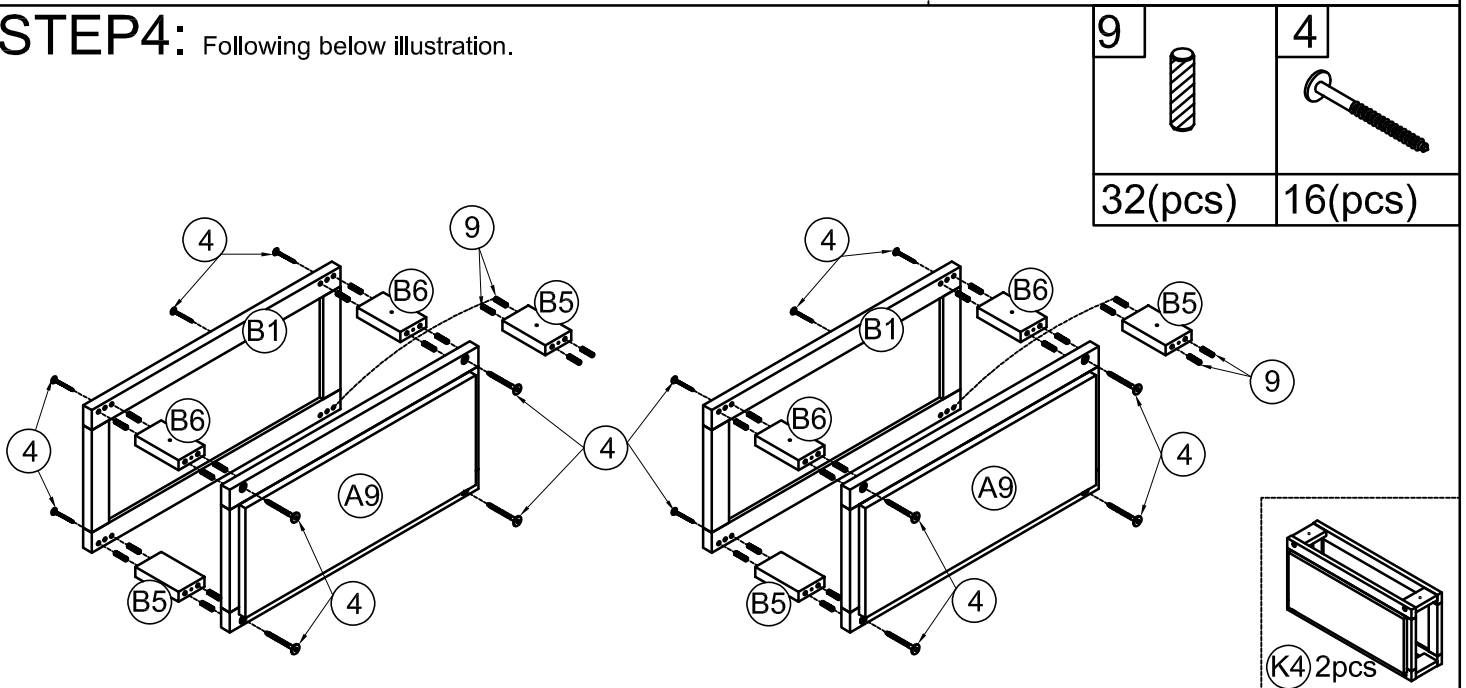
- 6
- 
- 6(pcs)
- 8
- 
- 6(pcs)



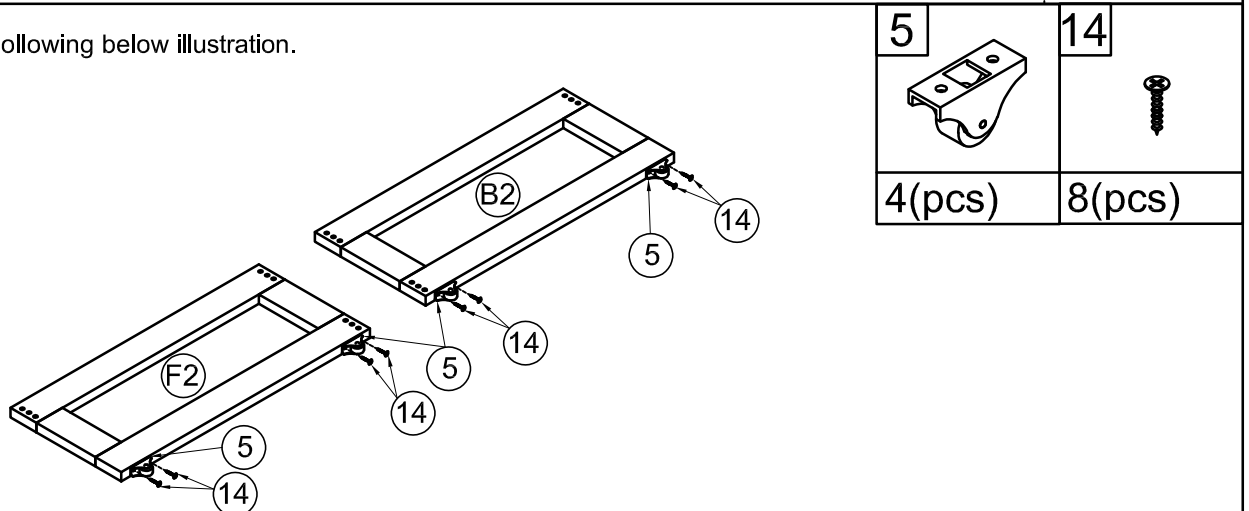
STEP3: Following below illustration.






STEP4: Following below illustration.

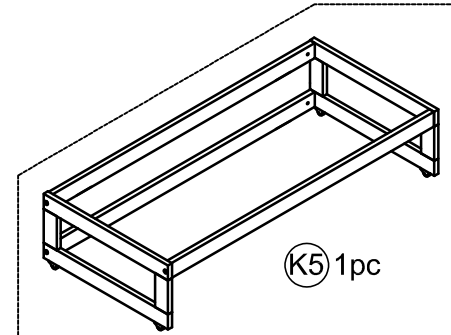
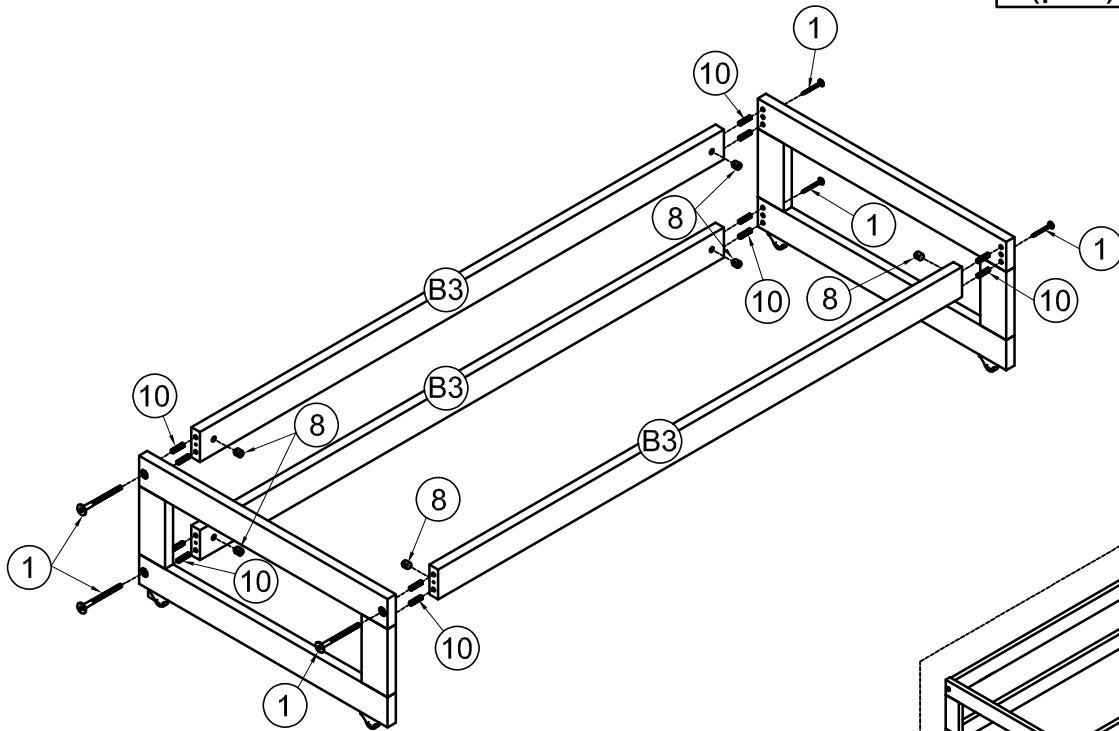


STEP5: Following below illustration.


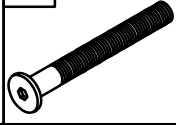



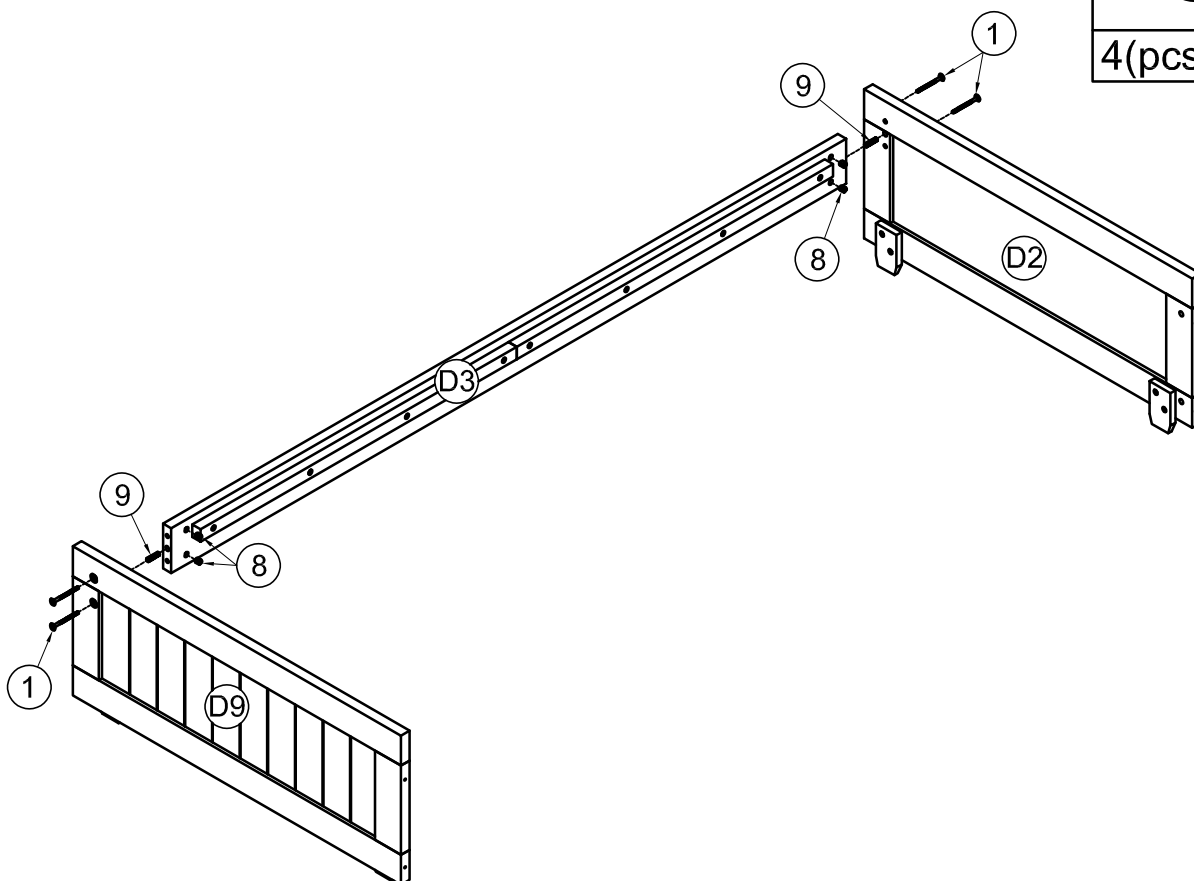
STEP6: Following below illustration.

1	10
	
6(pcs)	12(pcs)
	8
	
	6(pcs)

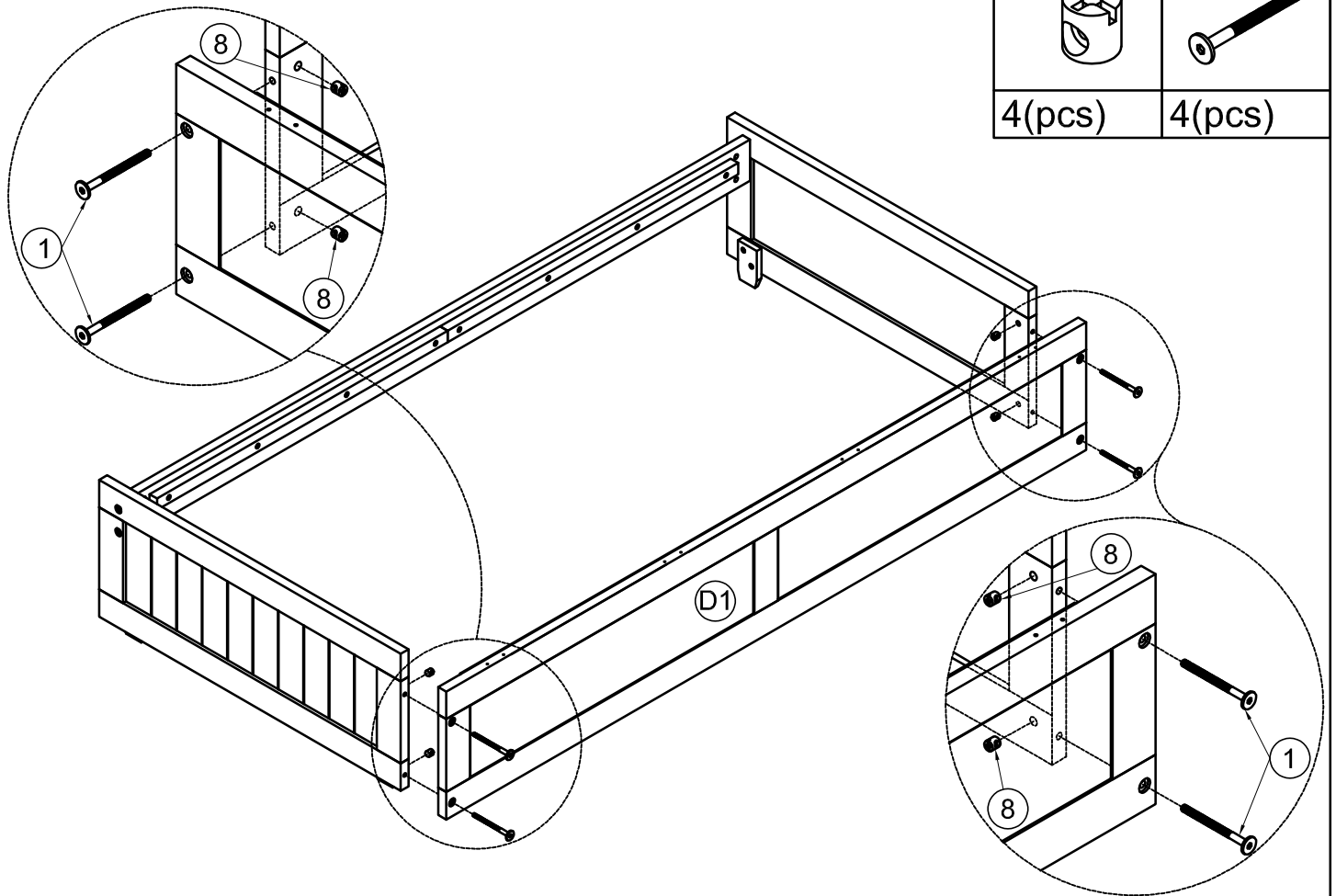


STEP7: Following below illustration.

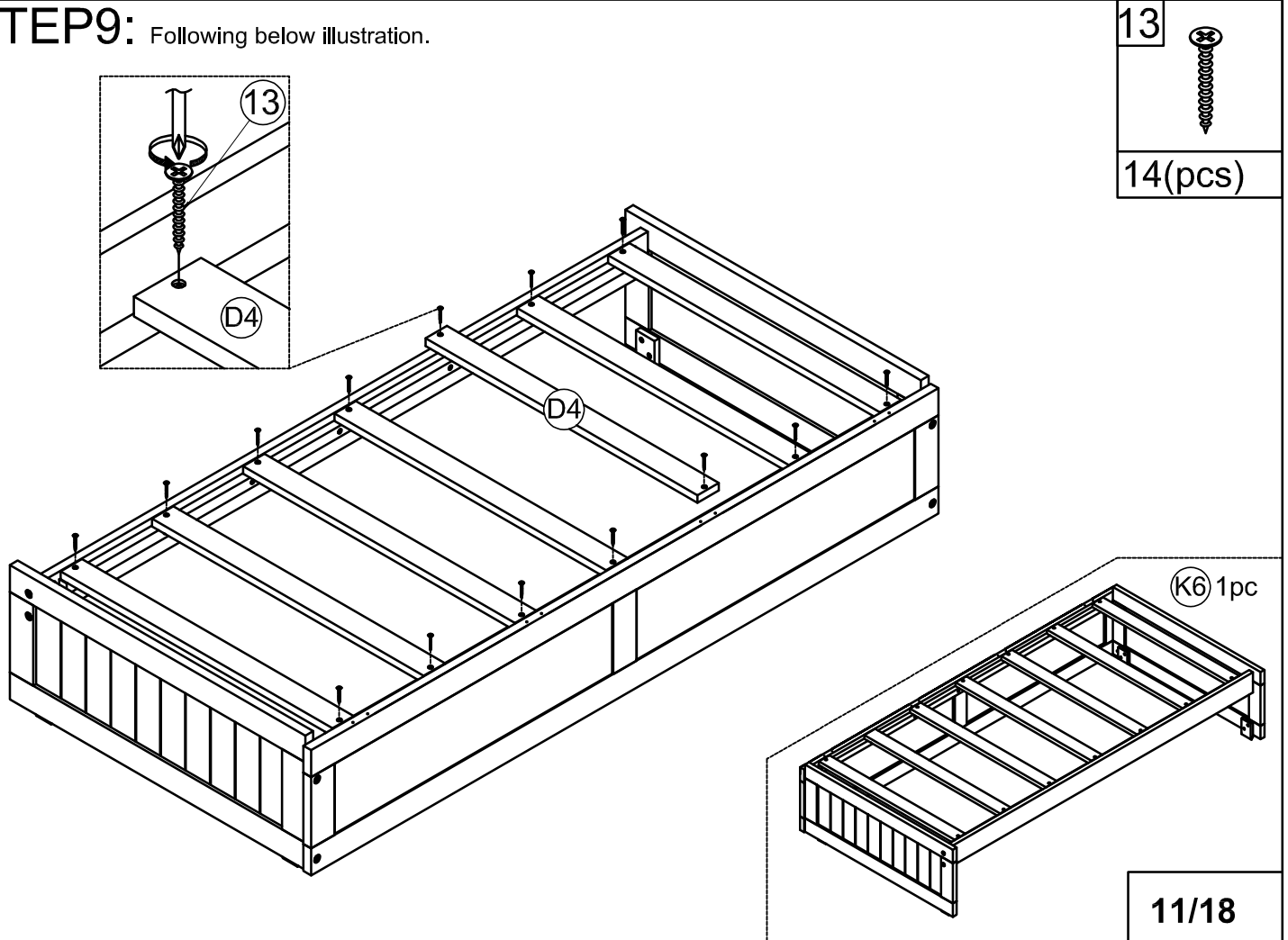
8	1
	
4(pcs)	4(pcs)
	9
	
	2(pcs)



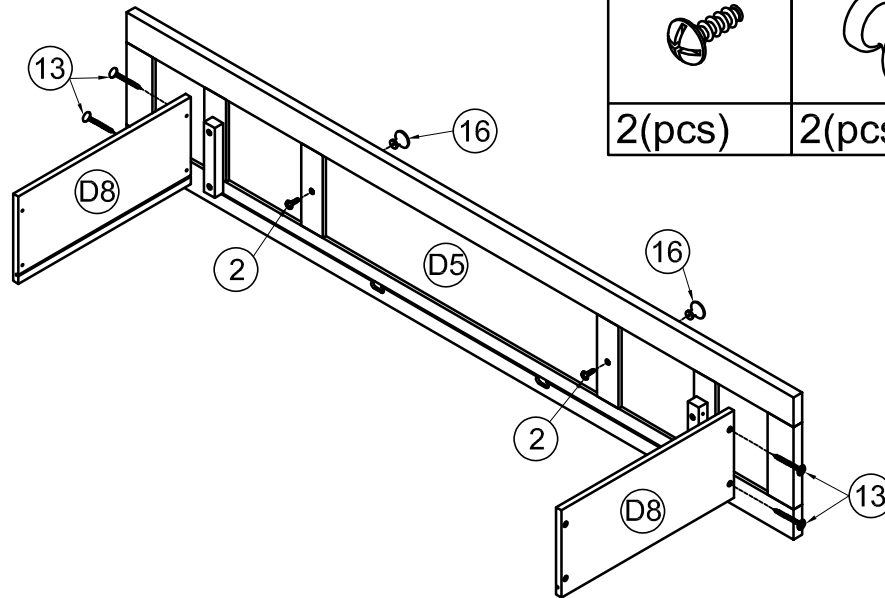
STEP8: Following below illustration.



STEP9: Following below illustration.

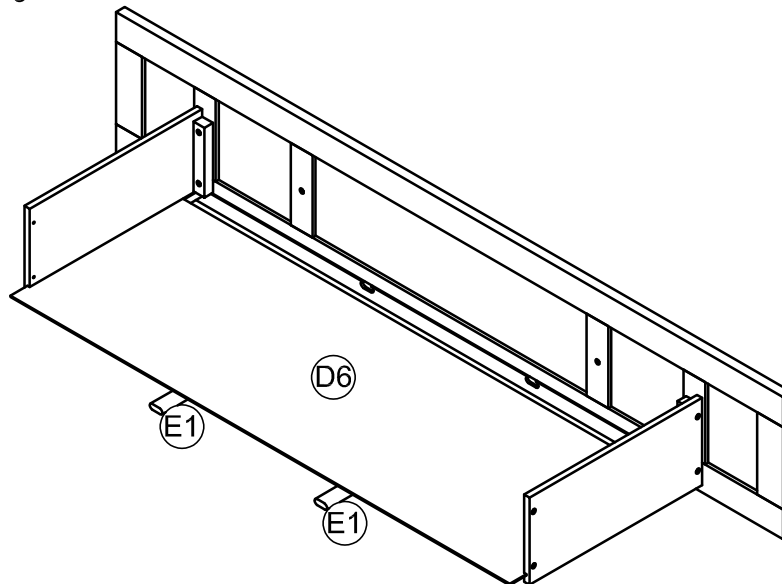


STEP10: Following below illustration.

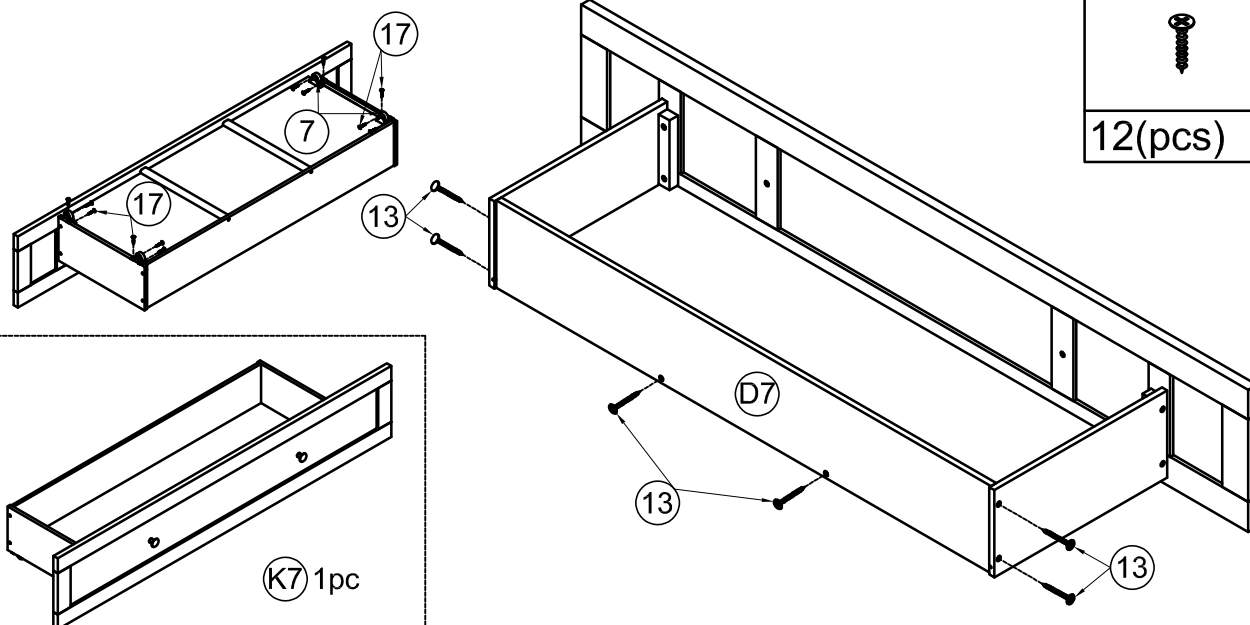


2	16	13
2(pcs)	2(pcs)	4(pcs)

STEP11: Following below illustration.



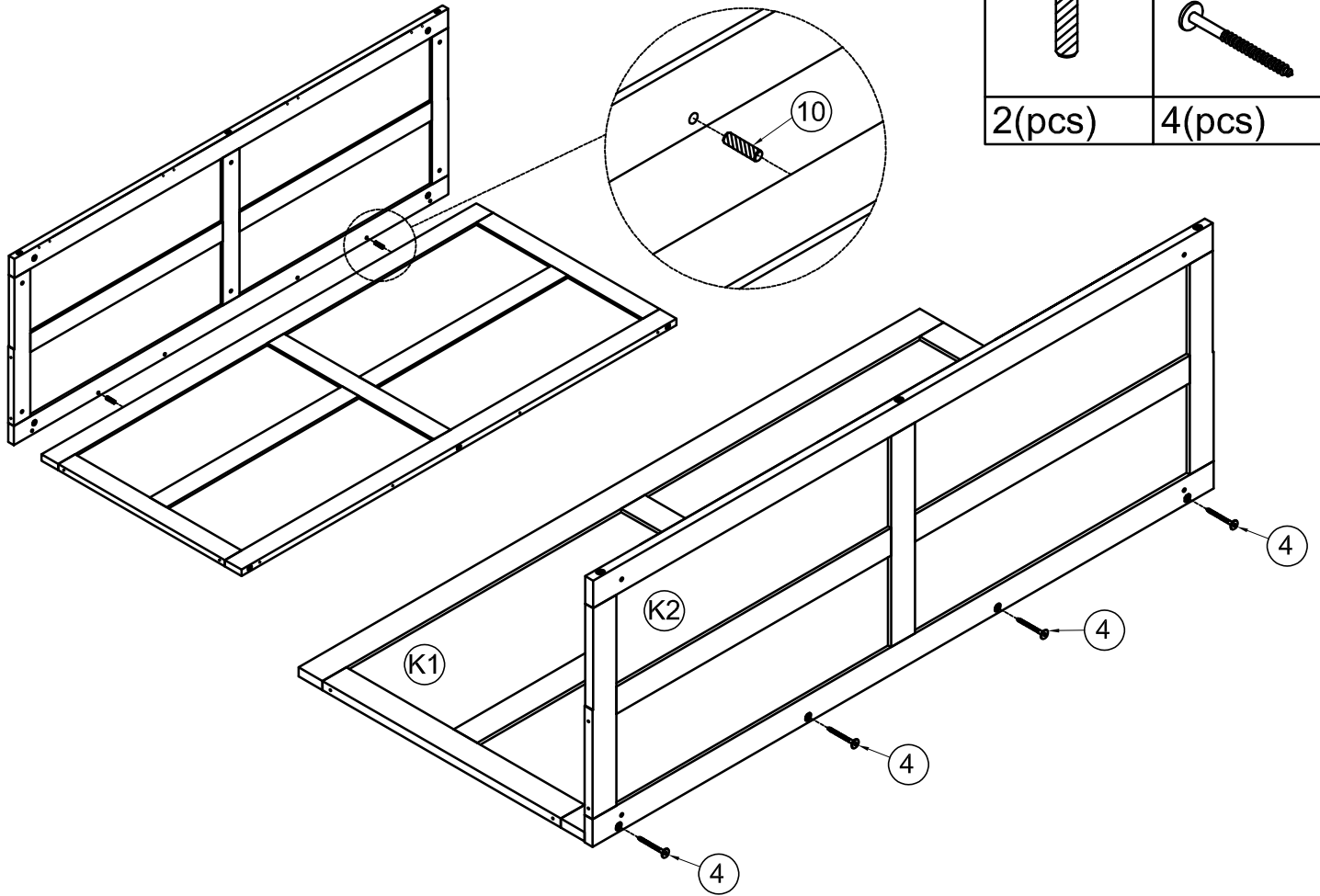
STEP12: Following below illustration.



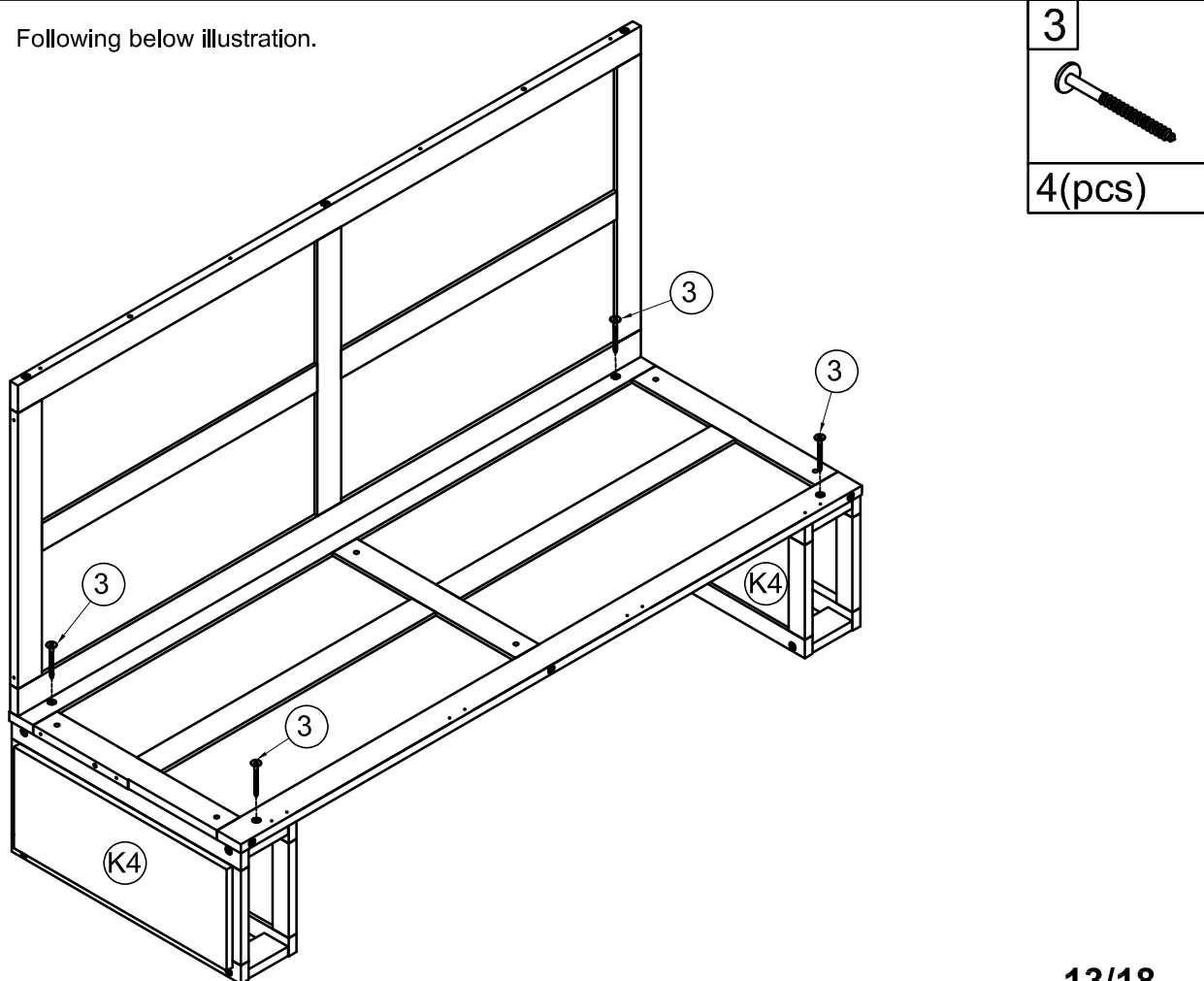
17	13
12(pcs)	6(pcs)
	7
	4(pcs)

(K7) 1pc

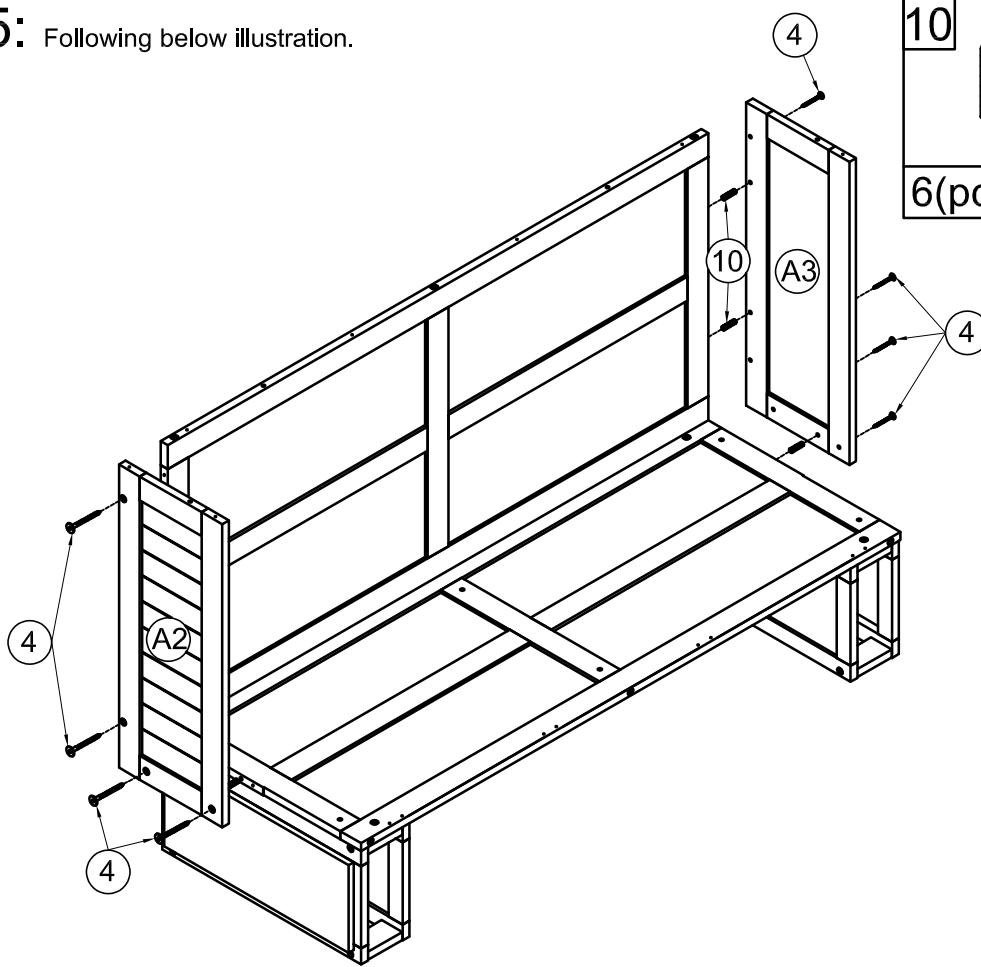
STEP13: Following below illustration.





STEP14: Following below illustration.

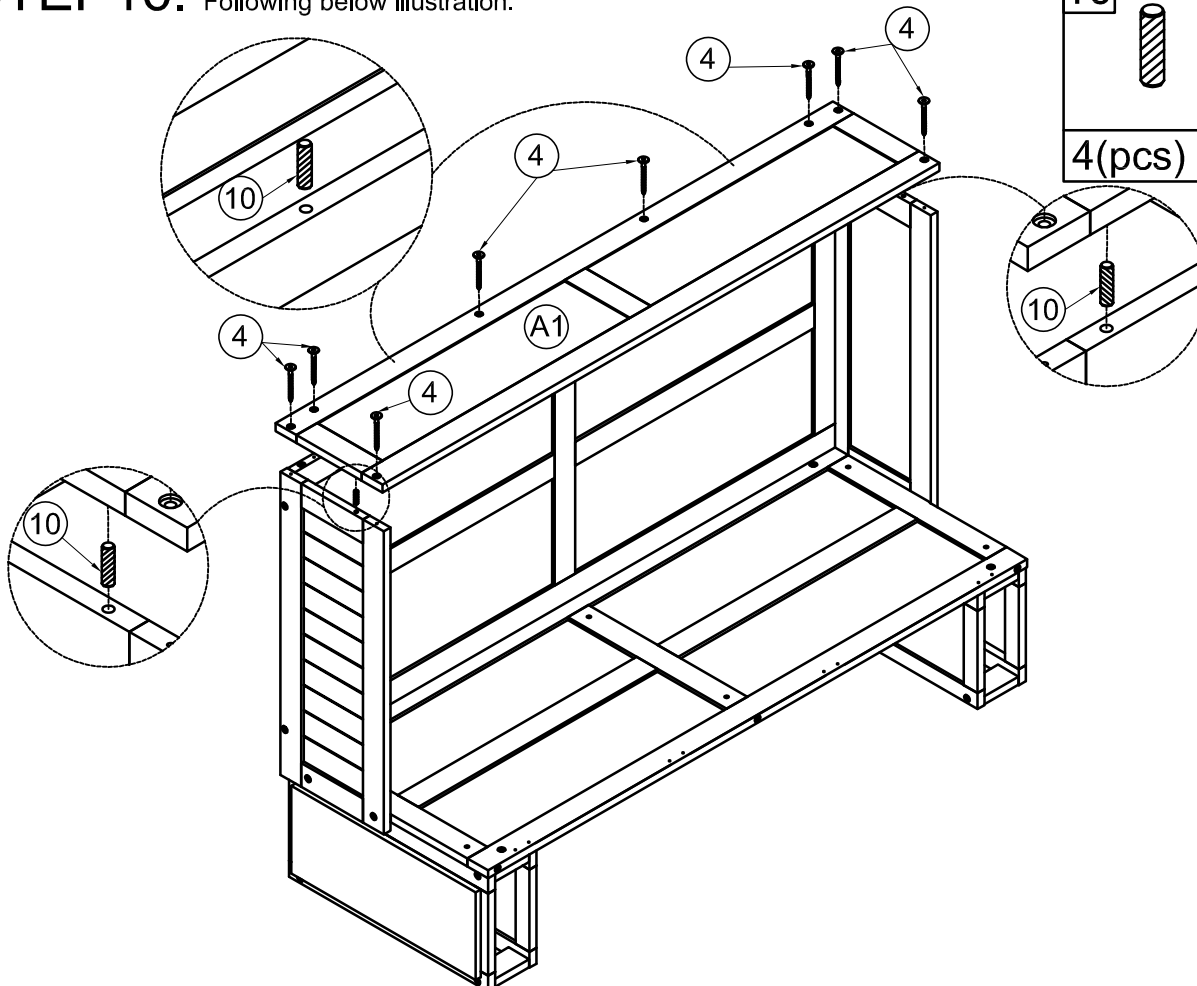




STEP15: Following below illustration.



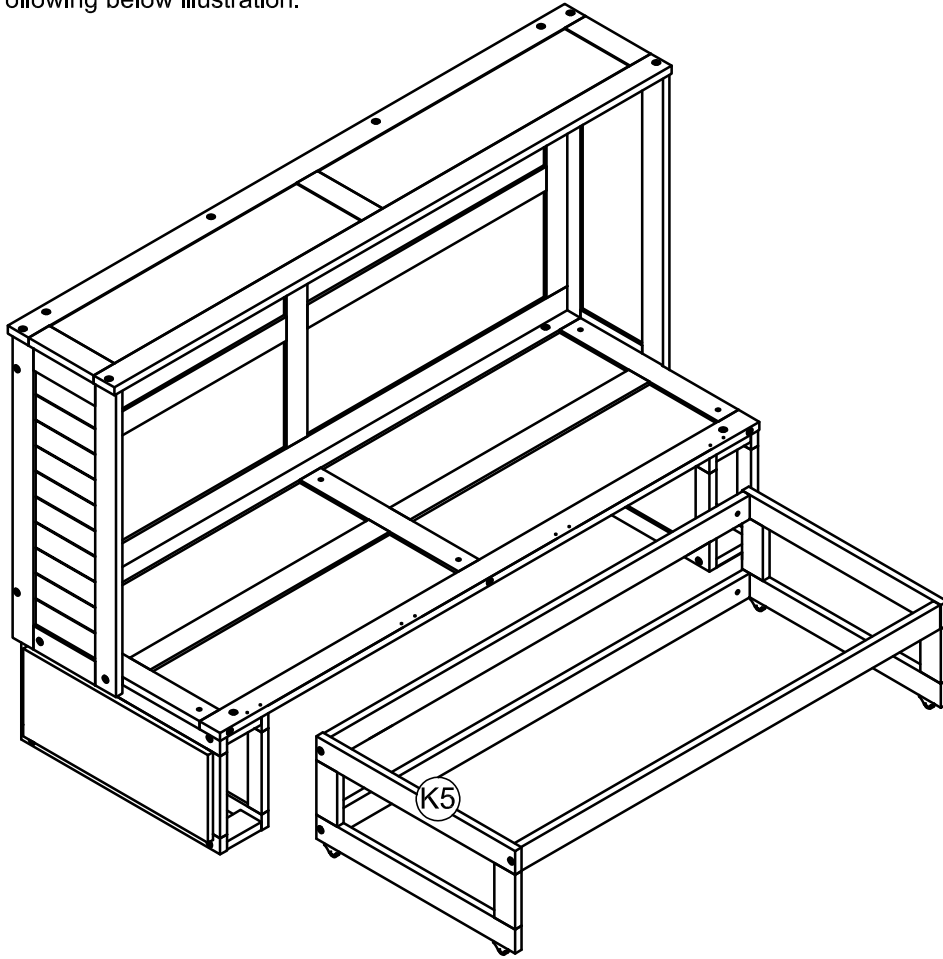
10		4	
6(pcs)		8(pcs)	

STEP16: Following below illustration.





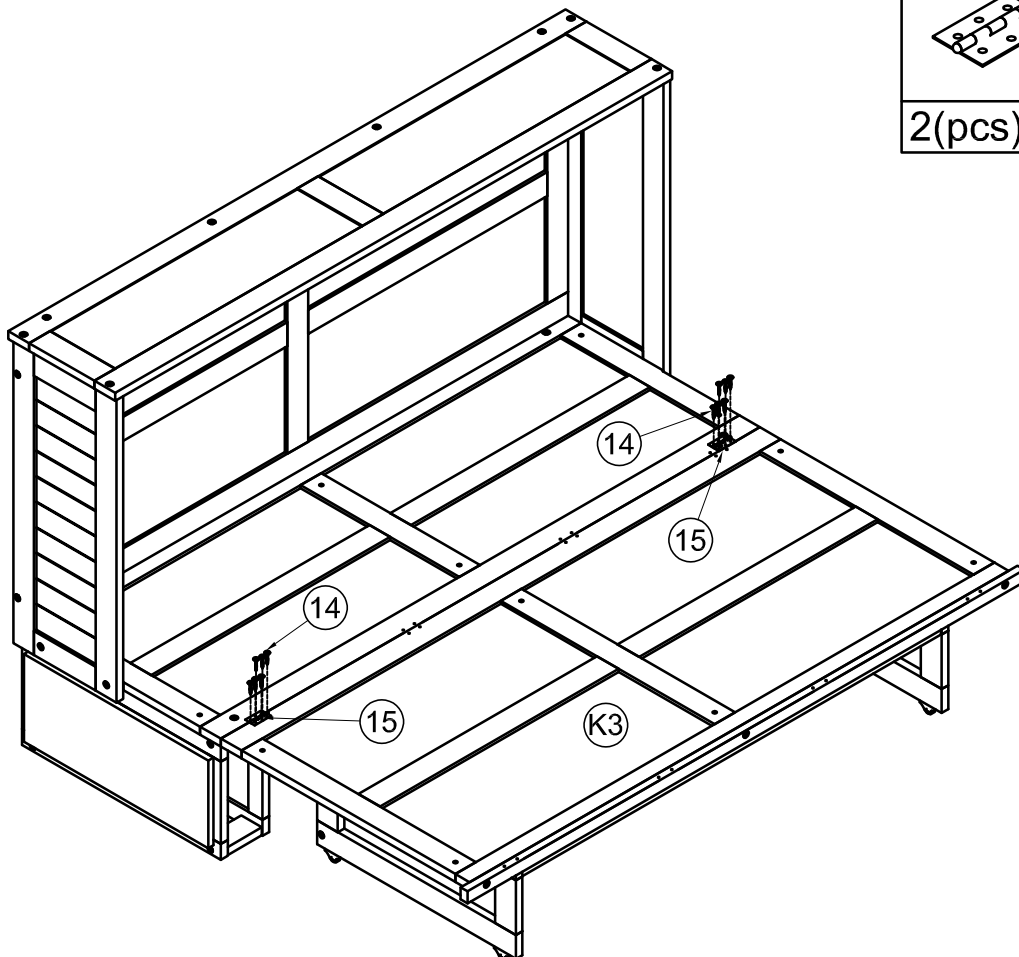
10		4	
4(pcs)		8(pcs)	

STEP17: Following below illustration.

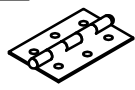



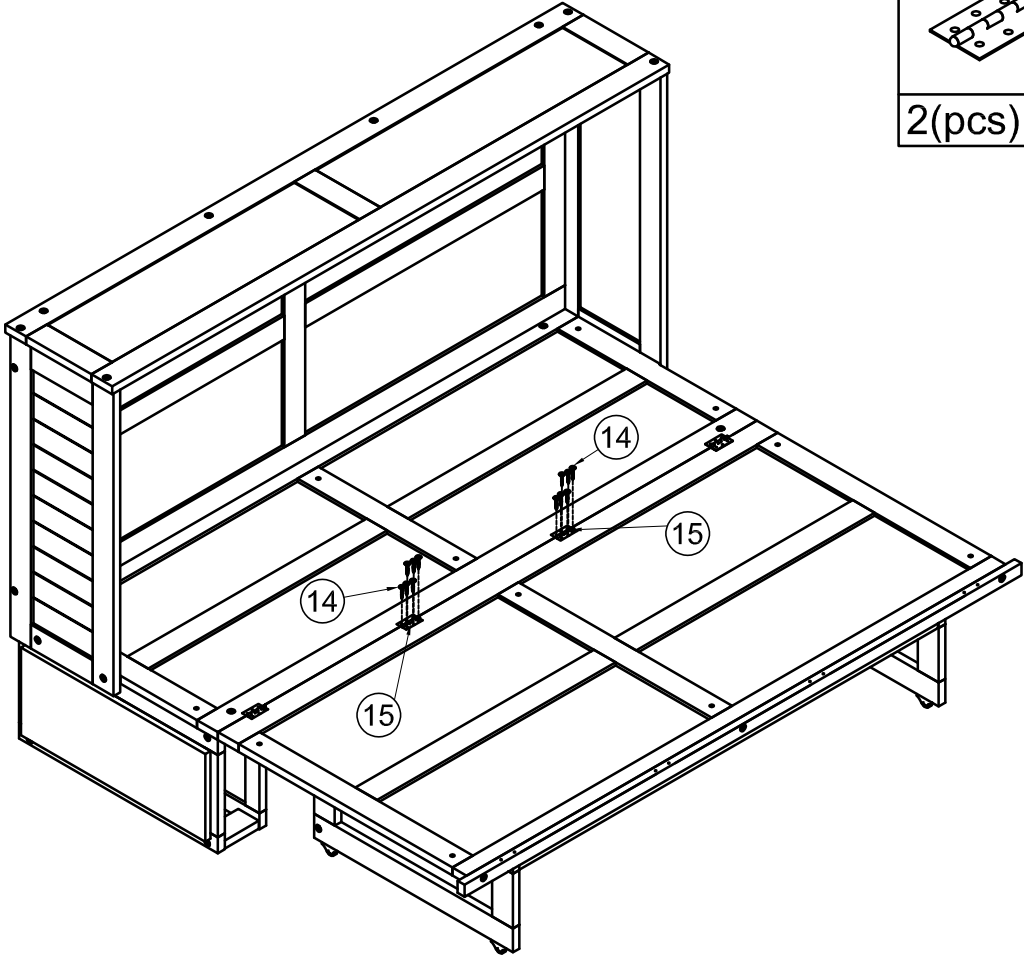
STEP18: Following below illustration.

15	14
	
2(pcs)	12(pcs)

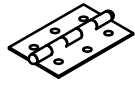



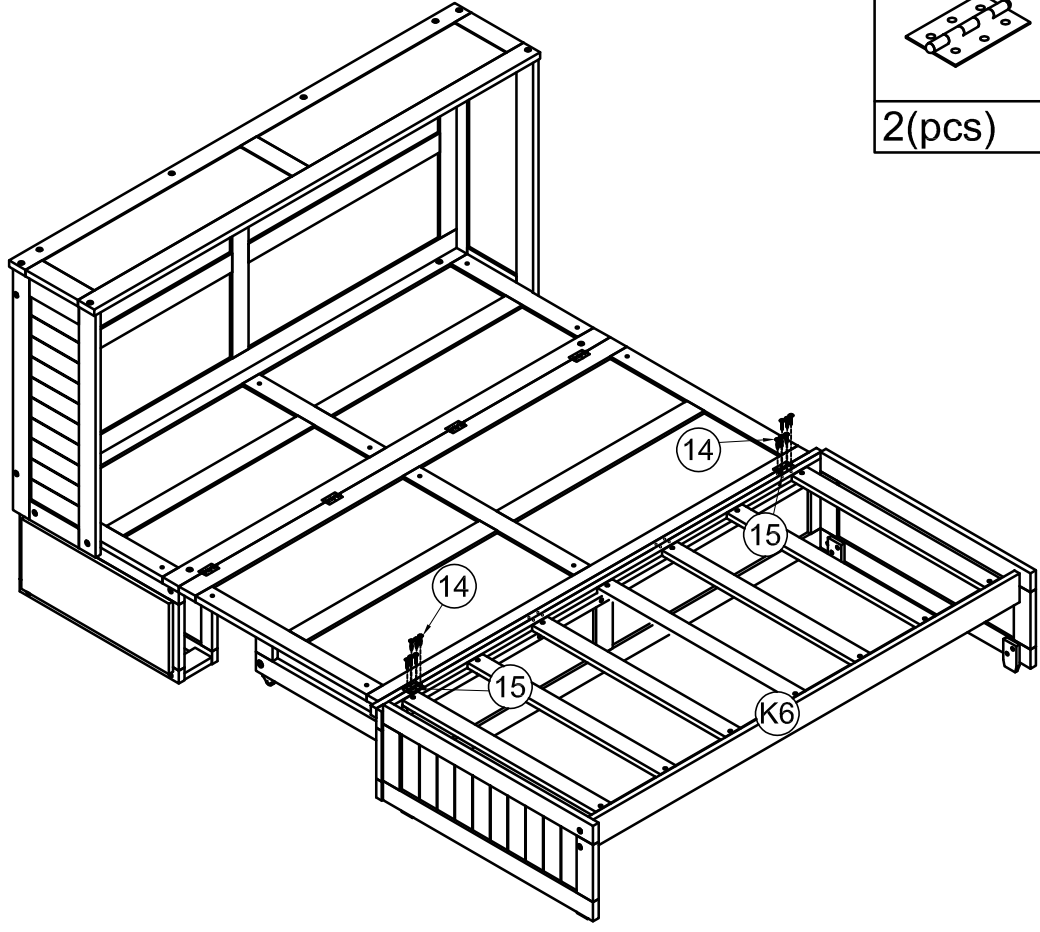
STEP19: Following below illustration.

15	14
	
2(pcs)	12(pcs)

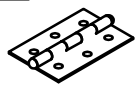



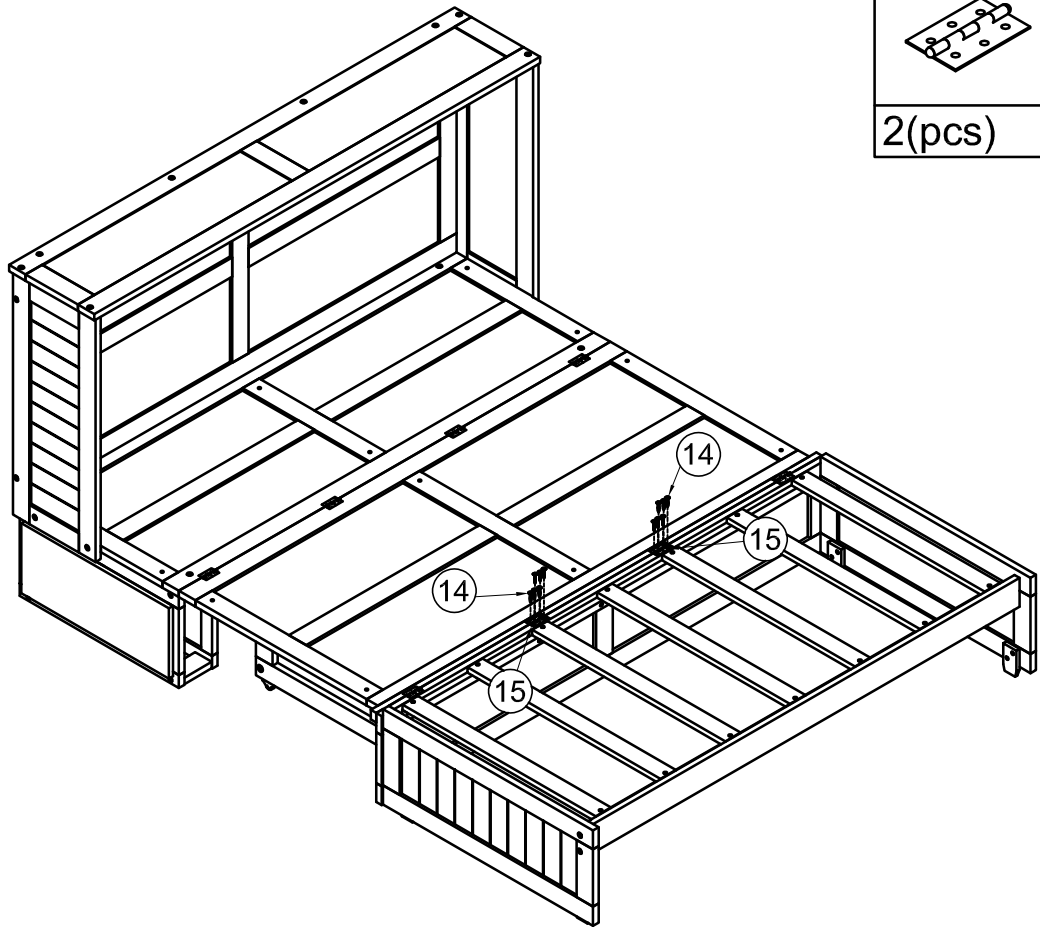
STEP20: Following below illustration.

15	14
	
2(pcs)	12(pcs)

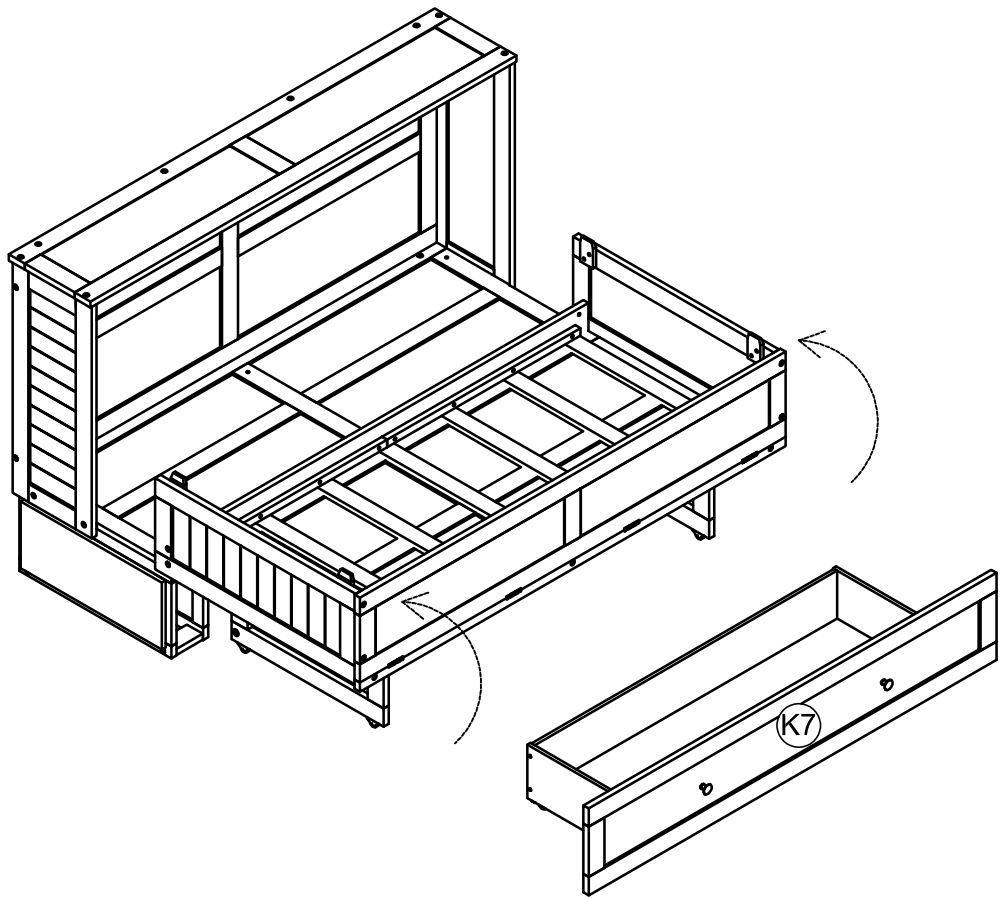


STEP21: Following below illustration.

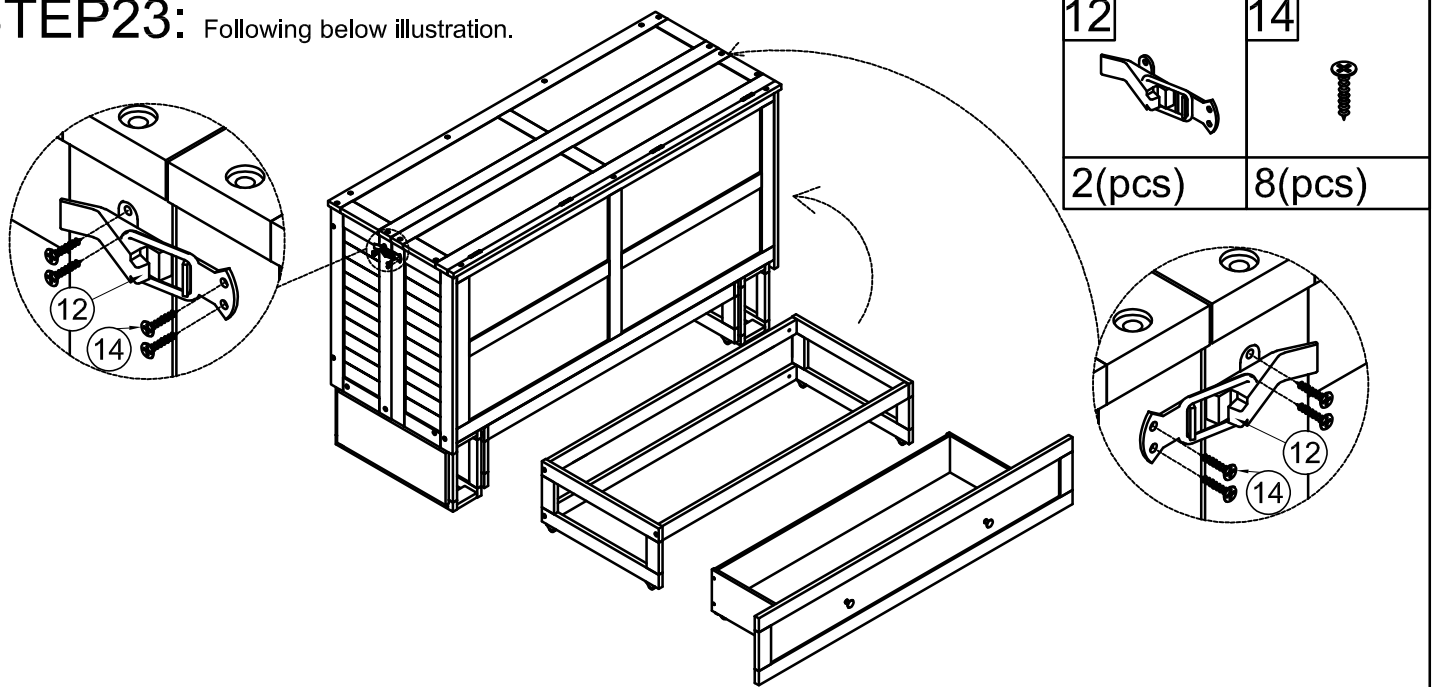
15	14
	
2(pcs)	12(pcs)



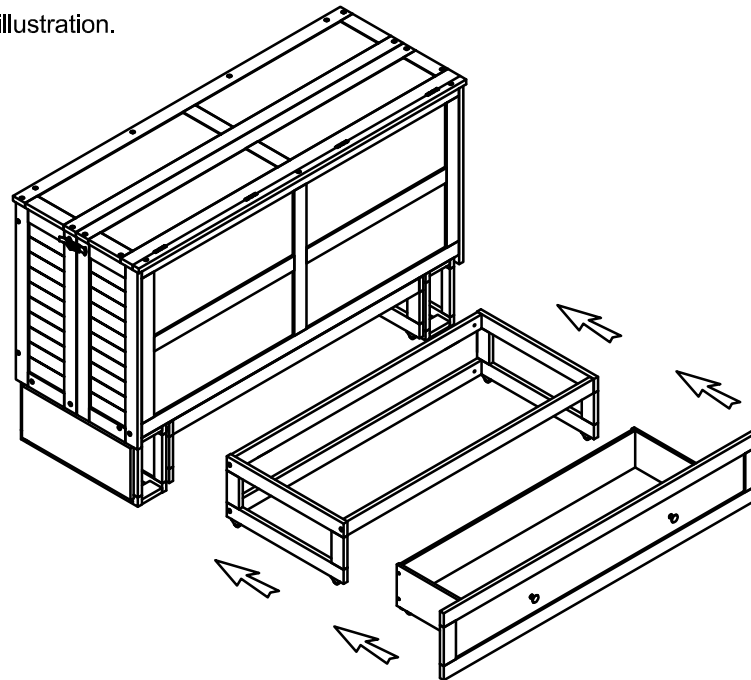
STEP22: Following below illustration.



STEP23: Following below illustration.



STEP24: Following below illustration.



Finish

